

# TECHNICAL GUIDE

## ADD - ON COILS FOR USE WITH SPLIT-SYSTEM COOLING & HEAT PUMPS

MODELS: CF, CM, CU

600 - 2000 CFM 1.5 - 5 TON COILS



UNCASED  
UPFLOW  
CU



UPFLOW/DOWNFLOW  
FULL CASED  
CF



MULTI-POSITION  
FULL CASED  
CM



Due to continuous product improvement, specifications are subject to change without notice.

Visit us on the web at:

[www.upgnet.com](http://www.upgnet.com) and [www.york.com](http://www.york.com)

Additional rating information can be found at:

[www.ahridirectory.org](http://www.ahridirectory.org)

## DESCRIPTION

MaxAlloy™ aluminum indoor coils are specially designed to be installed with UPG furnaces or modular air handlers as part of a matched air conditioning or heat pump system.

UPG indoor coils can be applied with indoor orifices and/or TXVs according to the application. Most indoor coil models are available as “flex” coils for installation of the specific expansion device in the field. Select SKUs are available with factory-mounted TXVs or EEVs. Refer to the Technical Guide for the matched outdoor unit to determine the required indoor expansion device for your specific application.

**CF** series full cased coils are suitable for upflow or downflow applications.

**CM** series full cased coils have the added flexibility of multi-position installation. They are shipped as upflow / horizontal left and are easily convertible to downflow / horizontal right. Select CM Models are available with a factory manufactured electronic expansion valve.

**CU** series uncased coils are designed for upflow-only applications on top of furnaces. These coils may require field modification of the ductwork. A Partial Case accessory is also available, as shown on the accessories page.

If CF or CM coils are installed without the casing, a Diverter Shroud kit is required, as shown on the accessories page. CU coils include a factory-installed Diverter Shroud.

## FEATURES

**Rigid Case Construction** - an interior endoskeleton provides structural support eliminating screw heads protruding from the side of the cabinet that could damage property when being installed.

**Cabinet** – Constructed of heavy gauge galvanized steel with a primer and finish coat providing a high quality corrosion resistant finish.

**MaxAlloy™ Coil** - Long life aluminum coils built to deliver lasting performance, efficiency and reliability.

**Foil faced insulation** -The cabinet is insulated with a single piece of cleanable foil faced insulation retained by the endoskeleton. The cabinet design is such that all edges of the insulation are contained.

**Electronic Expansion Valve (EEV)** - Factory installed on select CM models and sized to match with specific high-efficiency variable capacity outdoor units.

**Compact Cabinet** - With the coil and access doors removed the cabinet has a 20.5” casing depth in all models, which provide ease of attic access and space constrained applications.

**Thermoset Drain Pan** - Corrosion and UV resistant with a positive slope for proper drainage. Low water retention design maximizes indoor air quality and consumer comfort.

**Low Leakage Cabinet Design** - Fully gasketed doors minimizes air leakage to no more than 2% when measured at 1.0” esp. minimizing conditioned air leakage and infiltration.

**Duct Flange** - Three sided duct flange is supplied to be field installed when required.

**Thermostatic Expansion Valves**-Select factory mounted as well as field mounted models available utilizing chatleff fittings, no brazing required.

**ACCESSORIES**

Refer to Price Manual for specific model numbers.

**TXV Kits** - Thermal expansion valve kits are available for flex coil applications with R-410A or R-407C refrigerant. All TXV kits are non-braze, bolt-on connections including the valve assembly and equalizer tube. No orifice or any other metering device is to be used in conjunction with the TXV.

**Partial Case** - Available to be used with CU coils in four widths. This option is intended for upflow applications where height limitations prevent the installation of full cased coils. The Partial Case design allows the top section of the indoor coil to be installed in the duct or plenum.

**Coil Casing Without Coil** - Coilless Cases are available in four widths that can be installed with the furnace or modular air handler during initial installation. This option is available to allow the installer the flexibility to add the coil at a later date without duct modifications.

**LIST OF SECTIONS**

**DESCRIPTION** ..... 1

**FEATURES** ..... 1

**ACCESSORIES** ..... 2

**NOMENCLATURE** ..... 2

**DIMENSIONS - UC UNCASSED COILS** ..... 3

**DIMENSIONS - CF UPFLOW/DOWNFLOW FULL CASSED COILS** ..... 3

**DIMENSIONS - CM MULTI-POSITION FULL CASSED COILS** ..... 4

**COOLING CAPACITY - UPFLOW “N” TYPE COIL (COIL ONLY)** ..... 5

**COOLING CAPACITY - FULL-CASSED “N” AND “A” TYPE MULTI-POSITION COIL (COIL ONLY)** ..... 7

**COOLING CAPACITY - UNCASSED UPFLOW “N” TYPE COIL (COIL ONLY)** ..... 9

**APPLICATION FACTOR-RATED CFM VS. ACTUAL CFM** ..... 10

**APPLICATION LIMITATIONS** ..... 10

**STATIC PRESSURE VS. AIRFLOW BASED ON WET COIL - UPFLOW CASSED “N” TYPE COIL** ..... 11

**STATIC PRESSURE VS. AIRFLOW BASED ON WET COIL - CASSED “N” AND “A” TYPE MULTI-POSITION COIL** ..... 11

**STATIC PRESSURE VS. AIRFLOW BASED ON WET COIL - UNCASSED UPFLOW - “N” TYPE COIL** ..... 12

**COIL TECHNICAL DATA - CASSED UPFLOW/DOWNFLOW** ..... 13

**COIL TECHNICAL DATA - FULL CASSED “N” AND “A” TYPE MULTI-POSITION** ..... 14

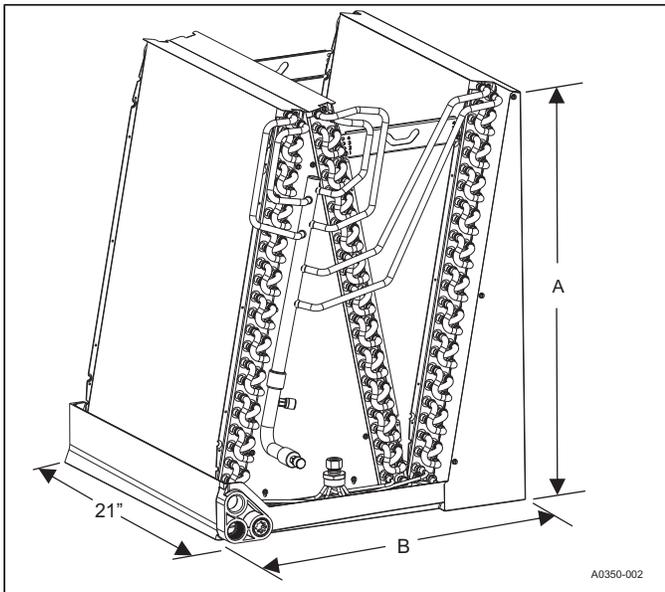
**COIL TECHNICAL DATA - UNCASSED UPFLOW - “N” TYPE** ..... 15

**AIR FLOW DATA - STATIC PRESSURE DROP FOR CU MODELS** ..... 15

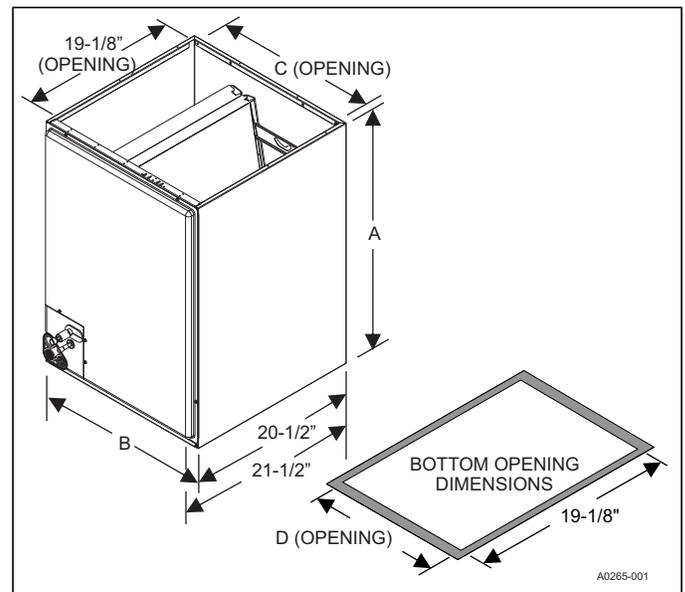
**AIR FLOW DATA - STATIC PRESSURE DROP FOR CF MODELS** ..... 16

**NOMENCLATURE**

<b>PRODUCT TYPE</b>	<b>C</b>	C = Coil (Indoor)
<b>POSITION MOTOR TYPE</b>	<b>F</b>	D = Horizontal Duct
		F = Full Cased, Upflow/Downflow
		M = Full Cased, Multi-Poise
		U = Uncased, Upflow
<b>NOMINAL UNIT CAPACITY</b>	<b>36</b>	<b>18</b> = 1.5 Ton <b>42</b> = 3.5 Ton <b>24, 25</b> = 2 Ton <b>48, 49, 50</b> = 4 Ton <b>30</b> = 2.5 Ton <b>60, 61, 64</b> = 5 Ton <b>36, 37, 38</b> = 3 Ton
<b>CABINET WIDTH</b>	<b>B</b>	<b>A</b> = 14.5" <b>B</b> = 17.5" <b>C</b> = 21.0" <b>D</b> = 24.5"
<b>METERING DEVICE</b>	<b>X</b>	<b>BA - BG</b> = TXV Valve Size <b>E1 - E4</b> = EEV Valve Size <b>X</b> = No Valve (Flex Coil)
<b>COIL TYPE</b>	<b>A</b>	<b>A</b> = MaxAlloy™ Aluminum Tube <b>C</b> = Copper Tube
<b>GENERATION (MAJOR REVISION)</b>	<b>1</b>	<b>1</b> = 1st Gen <b>2</b> = 2nd Gen etc.
<b>STYLE LETTER (MINOR REVISION) NOT USED FOR ORDERING</b>	<b>A</b>	<b>A</b> = Style A <b>B</b> = Style B etc.



**DIMENSIONS - CU UNCASSED COILS**



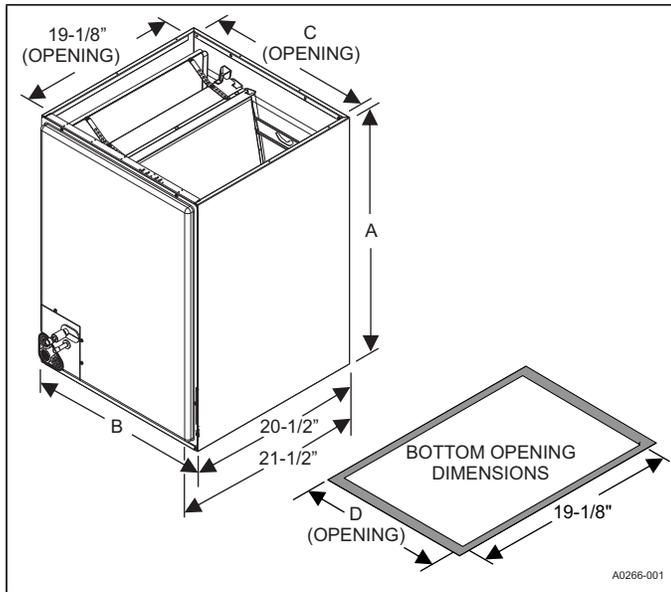
**DIMENSIONS - CF UPFLOW/DOWNFLOW FULL CASSED COILS**

Models	Dimensions <sup>1</sup>		Refrigerant Connections <sup>2,3,4</sup>	
	Height	Width	Line Size	
	A	B	Liquid	Vapor
CU18A	13-3/8	13-3/8	3/8	3/4
CU18B	13-1/4	16-3/8		
CU24A	15-3/8	13-3/8		
CU24B	15-1/4	16-3/8		
CU24C	14-7/8	19-7/8		
CU30A	19-3/8	13-3/8		
CU30B	19-1/2	16-3/8		
CU30C	19-1/4	19-7/8		
CU30D	19	23-3/8		
CU36B	21-1/2	16-3/8		
CU36C	21-1/8	19-7/8		
CU36D	21-1/4	23-3/8		
CU42C	23-1/8	19-7/8		
CU42D	22-7/8	23-3/8		
CU48C	25-1/8	19-7/8		
CU48D	25	23-3/8		
CU60C	29-1/4	19-7/8		
CU60D	29	23-3/8		

Models <sup>1</sup>	Dimensions <sup>2</sup>				Refrigerant Connections <sup>3,4,5</sup>	
	Height	Width	Opening Widths		Liquid	Vapor
	A	B	C	D		
CF18A*	19-1/2	14-1/2	13-1/2	13-1/2	3/8	3/4
CF18B	19	17-1/2	16-1/2	16-1/2		
CF24A*	19-1/2	14-1/2	13-1/2	13-1/2		
CF24B	19	17-1/2	16-1/2	16-1/2		
CF24C	21	21	20	20		
CF30A	21-5/8	14-1/2	13-1/2	13-1/2		
CF30B*	23	17-1/2	16-1/2	16-1/2		
CF30C	21	21	20	20		
CF30D	25	24-1/2	23-1/2	23-1/2		
CF36A	25-1/2	14-1/2	13-1/2	13-1/2		
CF36B*	25-5/8	17-1/2	16-1/2	16-1/2		
CF36C	23	21	20	20		
CF36D	25	24-1/2	23-1/2	23-1/2		
CF42B	25	17-1/2	16-1/2	16-1/2		
CF42C*	25	21	20	20		
CF42D	25	24-1/2	23-1/2	23-1/2		
CF48C*	27	21	20	20		
CF48D	27	24-1/2	23-1/2	23-1/2		
CF60C*	33	21	20	20		
CF60D	32-3/4	24-1/2	23-1/2	23-1/2		
CF61D	37-1/4	24-1/2	23-1/2	23-1/2		
CF64D	32-3/4	24-1/2	23-1/2	23-1/2		

1. All dimensions are in inches.
2. Refrigerant line sizes may require larger lines for extended line lengths. See Application Data part number 247077.
3. Adapter fitting must be field installed for other line set size.
4. See outdoor unit technical guide for proper line set size.

1. Asterisk (\*) denotes coil model is available as a flex coil or with factory installed TXV.
2. All dimensions are in inches.
3. Refrigerant line sizes may require larger lines for extended line lengths. See Application Data part number 247077.
4. Adapter fitting must be field installed for other line set size.
5. See outdoor unit technical guide for proper line set size.



**DIMENSIONS - CM MULTI-POSITION FULL CASED COILS**

Models <sup>1</sup>	Dimensions <sup>2</sup>				Refrigerant Connections <sup>3,4,5</sup>	
	Height	Width	Opening Widths		Liquid	Vapor
	A	B	C	D		
CM18A*	19-1/2	14-1/2	13-1/2	13-1/2	3/8	3/4
CM18B	19	17-1/2	16-1/2	16-1/2		
CM24A*	19-1/2	14-1/2	13-1/2	13-1/2		
CM24B*	19	17-1/2	16-1/2	16-1/2		
CM24C	21	21	20	20		
CM25B#	25-5/8	17-1/2	16-1/2	16-1/2		
CM30A*	25-1/2	14-1/2	13-1/2	13-1/2		
CM30B*	23	17-1/2	16-1/2	16-1/2		
CM30C	23	21	20	20		
CM30D	25	24-1/2	23-1/2	23-1/2		
CM36A	25-1/2	14-1/2	13-1/2	13-1/2		
CM36B*	25-5/8	17-1/2	16-1/2	16-1/2		
CM36C*	25	21	20	20		
CM36D	25	24-1/2	23-1/2	23-1/2		
CM37B#	25-5/8	17-1/2	16-1/2	16-1/2		
CM37C#	25	21	20	20		
CM38C#	33	21	20	20		
CM42C*	27	21	20	20		
CM42D	27	24-1/2	23-1/2	23-1/2		
CM48C*	33	21	20	20		
CM48D*	32-3/4	24-1/2	23-1/2	23-1/2		
CM49C#	33	21	20	20		
CM49D#	32-3/4	24-1/2	23-1/2	23-1/2		
CM50C‡	37-1/4	21	20	20		
CM50D#	37-1/4	24-1/2	23-1/2	23-1/2		
CM60C*	33	21	20	20		
CM60D*	32-3/4	24-1/2	23-1/2	23-1/2		
CM61C#	37-1/4	21	20	20		
CM61D‡	37-1/4	24-1/2	23-1/2	23-1/2		
CM64D	32-3/4	24-1/2	23-1/2	23-1/2		
					7/8	

- (\*) denotes coil model is available as a flex coil or with factory installed TXV.  
 (#) denotes coils only available with factory mount EEV.  
 (‡) denotes coils only available with flex coil or factory mount EEV.
- All dimensions are in inches.
- Refrigerant line sizes may require larger lines for extended line lengths. See Application Data part number 247077.
- Adapter fitting must be field installed for other line set size.
- See outdoor unit technical guide for proper line set size.

**COOLING CAPACITY - UPFLOW "N" TYPE COIL (COIL ONLY<sup>1</sup>)**

Models	Rated CFM	Entering Air Dry/Wet Bulb (°F)	MBH@ Evap. Temp. and Corresponding R-410A Pressure (°F/PSIG)			
			35/107.9	40/118.9	45/130.7	50/143.3
CF18A	600	85/72	45.7	41.6	36.8	30.5
		80/67	38.5	33.9	28.5	22.3
		75/62	31.5	26.5	20.5	15.9
		70/57	24.4	19.5	15.2	11.5
CF18B	600	85/72	45.7	41.6	36.8	30.5
		80/67	38.5	33.9	28.5	22.3
		75/62	31.5	26.5	20.5	15.9
		70/57	24.4	19.5	15.2	11.5
CF24A	800	85/72	52.2	47.5	41.8	35.0
		80/67	43.6	38.3	31.9	24.5
		75/62	35.2	29.5	22.7	16.2
		70/57	27.1	20.7	15.5	11.4
CF24B	800	85/72	52.2	47.5	41.8	35.0
		80/67	43.6	38.3	31.9	24.5
		75/62	35.2	29.5	22.7	16.2
		70/57	27.1	20.7	15.5	11.4
CF24C	800	85/72	52.2	47.5	41.8	35.0
		80/67	43.6	38.3	31.9	24.5
		75/62	35.2	29.5	22.7	16.2
		70/57	27.1	20.7	15.5	11.4
CF30A	1000	85/72	75.3	67.8	56.8	47.1
		80/67	62.6	54.6	44.2	34.5
		75/62	50.2	41.3	32.0	22.9
		70/57	37.8	30.1	21.5	16.2
CF30B	1000	85/72	75.3	67.8	56.8	47.1
		80/67	62.6	54.6	44.2	34.5
		75/62	50.2	41.3	32.0	22.9
		70/57	37.8	30.1	21.5	16.2
CF30C	1000	85/72	75.3	67.8	56.8	47.1
		80/67	62.6	54.6	44.2	34.5
		75/62	50.2	41.3	32.0	22.9
		70/57	37.8	30.1	21.5	16.2
CF30D	1000	85/72	75.3	67.8	56.8	47.1
		80/67	62.6	54.6	44.2	34.5
		75/62	50.2	41.3	32.0	22.9
		70/57	37.8	30.1	21.5	16.2
CF36A	1200	85/72	91.6	82.4	71.3	59.4
		80/67	76.5	65.4	54.6	42.8
		75/62	61.3	51.2	40.0	30.5
		70/57	47.5	38.1	28.7	22.3
CF36B	1200	85/72	91.6	82.4	71.3	59.4
		80/67	76.5	65.4	54.6	42.8
		75/62	61.3	51.2	40.0	30.5
		70/57	47.5	38.1	28.7	22.3
CF36C	1200	85/72	91.6	82.4	71.3	59.4
		80/67	76.5	65.4	54.6	42.8
		75/62	61.3	51.2	40.0	30.5
		70/57	47.5	38.1	28.7	22.3
CF36D	1200	85/72	91.6	82.4	71.3	59.4
		80/67	76.5	65.4	54.6	42.8
		75/62	61.3	51.2	40.0	30.5
		70/57	47.5	38.1	28.7	22.3

Continued on next page.

**COOLING CAPACITY - UPFLOW "N" TYPE COIL (COIL ONLY<sup>1</sup>) (Continued)**

Models	Rated CFM	Entering Air Dry/Wet Bulb (°F)	MBH@ Evap. Temp. and Corresponding R-410A Pressure (°F/PSIG)			
			35/107.9	40/118.9	45/130.7	50/143.3
CF42B	1400	85/72	100.6	89.8	78.2	64.7
		80/67	83.5	73.7	59.8	48.0
		75/62	67.8	55.8	44.7	32.5
		70/57	52.3	41.5	30.7	23.7
CF42C	1400	85/72	100.6	89.8	78.2	64.7
		80/67	83.5	73.7	59.8	48.0
		75/62	67.8	55.8	44.7	32.5
		70/57	52.3	41.5	30.7	23.7
CF42D	1400	85/72	100.6	89.8	78.2	64.7
		80/67	83.5	73.7	59.8	48.0
		75/62	67.8	55.8	44.7	32.5
		70/57	52.3	41.5	30.7	23.7
CF48C	1600	85/72	115.2	105.0	93.9	79.0
		80/67	88.3	78.2	65.5	52.6
		75/62	72.7	60.8	50.1	37.6
		70/57	57.7	46.9	36.6	29.7
CF48D	1600	85/72	115.2	105.0	93.9	79.0
		80/67	88.3	78.2	65.5	52.6
		75/62	72.7	60.8	50.1	37.6
		70/57	57.7	46.9	36.6	29.7
CF50C	1600	85/72	102.5	92.5	50.5	67.0
		80/67	84.4	73.5	61.4	47.9
		75/62	67.2	56.5	44.2	29.9
		70/57	52.0	40.6	29.9	22.8
CF60C	1800	85/72	115.1	103.0	91.7	78.6
		80/67	96.8	85.9	73.7	60.5
		75/62	80.7	69.4	57.5	43.5
		70/57	58.7	48.9	37.7	32.7
CF60D	1800	85/72	115.1	103.0	91.7	78.6
		80/67	96.8	85.9	73.7	60.5
		75/62	80.7	69.4	57.5	43.5
		70/57	58.7	48.9	37.7	32.7
CF61D	1800	85/72	122.9	111.8	98.0	82.6
		80/67	102.2	89.8	75.7	59.9
		75/62	82.5	69.7	54.9	38.7
		70/57	64.3	50.8	38.2	29.4
CF64D	1800	85/72	133.6	118.5	103.2	86.6
		80/67	111.4	96.2	80.3	62.8
		75/62	90.7	75.1	60.0	43.5
		70/57	70.6	56.9	42.5	32.8

1. See Condensing Unit or Heat Pump Technical Guide for Total Cooling Capacity and Sensible Capacity.

**COOLING CAPACITY - FULL-CASED "N" AND "A" TYPE MULTI-POSITION COIL (COIL ONLY<sup>1</sup>)**

Model Coil	Rated CFM	Entering Air °F (Dry/Wet Bulb)	MBH@ Evaporator Temperature and Corresponding Pressure °F / PSIG			
			35/107.9	40/118.9	45/130.7	50/143.3
CM18A	600	85/72	45.7	41.6	36.8	30.5
		80/67	38.5	33.9	28.5	22.3
		75/62	31.5	26.5	20.5	15.9
		70/57	24.4	19.5	15.2	11.5
CM18B	600	85/72	45.7	41.6	36.8	30.5
		80/67	38.5	33.9	28.5	22.3
		75/62	31.5	26.5	20.5	15.9
		70/57	24.4	19.5	15.2	11.5
CM24A	800	85/72	52.2	47.5	41.8	35.0
		80/67	43.6	38.3	31.9	24.5
		75/62	35.2	29.5	22.7	16.2
		70/57	27.1	20.7	15.5	11.4
CM24B	800	85/72	52.2	47.5	41.8	35.0
		80/67	43.6	38.3	31.9	24.5
		75/62	35.2	29.5	22.7	16.2
		70/57	27.1	20.7	15.5	11.4
CM24C	800	85/72	52.2	47.5	41.8	35.0
		80/67	43.6	38.3	31.9	24.5
		75/62	35.2	29.5	22.7	16.2
		70/57	27.1	20.7	15.5	11.4
CM25B	780	85/72	55.1	48.8	40.7	31.5
		80/67	45.5	37.3	29.3	22.1
		75/62	33.9	27.8	20.8	14.2
		70/57	26.1	19.5	14.3	10.5
CM37B	1200	85/72	79.3	69.5	57.4	44.8
		80/67	64.0	53.3	42.6	30.7
		75/62	50.0	39.0	29.9	19.9
		70/57	37.3	29.0	20.2	15.4
CM30A	1000	85/72	75.3	67.8	56.8	47.1
		80/67	62.6	54.6	44.2	34.5
		75/62	50.2	41.3	32.0	22.9
		70/57	37.8	30.1	21.5	16.2
CM30B	1000	85/72	75.3	67.8	56.8	47.1
		80/67	62.6	54.6	44.2	34.5
		75/62	50.2	41.3	32.0	22.9
		70/57	37.8	30.1	21.5	16.2
CM30C	1000	85/72	75.3	67.8	56.8	47.1
		80/67	62.6	54.6	44.2	34.5
		75/62	50.2	41.3	32.0	22.9
		70/57	37.8	30.1	21.5	16.2
CM30D	1000	85/72	75.3	67.8	56.8	47.1
		80/67	62.6	54.6	44.2	34.5
		75/62	50.2	41.3	32.0	22.9
		70/57	37.8	30.1	21.5	16.2
CM36A	1200	85/72	91.6	82.4	71.3	59.4
		80/67	76.5	65.4	54.6	42.8
		75/62	61.3	51.2	40.0	30.5
		70/57	47.5	38.1	28.7	22.3
CM36B	1200	85/72	91.6	82.4	71.3	59.4
		80/67	76.5	65.4	54.6	42.8
		75/62	61.3	51.2	40.0	30.5
		70/57	47.5	38.1	28.7	22.3

Continued on next page.

**COOLING CAPACITY - FULL-CASED "N" AND "A" TYPE MULTI-POSITION COIL (COIL ONLY<sup>1</sup>) (Continued)**

Model Coil	Rated CFM	Entering Air °F (Dry/Wet Bulb)	MBH@ Evaporator Temperature and Corresponding Pressure °F / PSIG			
			35/107.9	40/118.9	45/130.7	50/143.3
CM36C	1200	85/72	91.6	82.4	71.3	59.4
		80/67	76.5	65.4	54.6	42.8
		75/62	61.3	51.2	40.0	30.5
		70/57	47.5	38.1	28.7	22.3
CM36D	1200	85/72	91.6	82.4	71.3	59.4
		80/67	76.5	65.4	54.6	42.8
		75/62	61.3	51.2	40.0	30.5
		70/57	47.5	38.1	28.7	22.3
CM37C	1200	85/72	79.3	69.5	57.4	44.8
		80/67	64.0	53.3	42.6	30.7
		75/62	50.0	39.0	29.9	19.9
		70/57	37.3	29.0	20.2	15.4
CM38C	1200	85/72	92.0	82.5	71.4	59.1
		80/67	75.3	65.2	54.1	42.0
		75/62	59.7	49.6	38.5	27.0
		70/57	45.8	35.5	25.6	19.5
CM42C	1400	85/72	100.6	89.8	78.2	64.7
		80/67	83.5	73.7	59.8	48.0
		75/62	67.8	55.8	44.7	32.5
		70/57	52.3	41.5	30.7	23.7
CM42D	1400	85/72	100.6	89.8	78.2	64.7
		80/67	83.5	73.7	59.8	48.0
		75/62	67.8	55.8	44.7	32.5
		70/57	52.3	41.5	30.7	23.7
CM48C	1600	85/72	115.2	105.0	93.9	79.0
		80/67	88.3	78.2	65.5	52.6
		75/62	72.7	60.8	50.1	37.6
		70/57	57.7	46.9	36.6	29.7
CM48D	1600	85/72	115.2	105.0	93.9	79.0
		80/67	88.3	78.2	65.5	52.6
		75/62	72.7	60.8	50.1	37.6
		70/57	57.7	46.9	36.6	29.7
CM49C	1500	85/72	114.6	103.4	89.9	75.1
		80/67	94.5	82.3	68.8	53.4
		75/62	75.7	63.1	49.2	34.6
		70/57	58.5	45.9	33.9	25.7
CM49D	1600	85/72	114.6	103.4	89.9	75.1
		80/67	94.5	82.3	68.8	53.4
		75/62	75.7	63.1	49.2	34.6
		70/57	58.5	45.9	33.9	25.7
CM50C	1600	85/72	102.5	92.5	50.5	67.0
		80/67	84.4	73.5	61.4	47.9
		75/62	67.2	56.5	44.2	29.9
		70/57	52.0	40.6	29.9	22.8
CM50D	1600	85/72	102.5	92.5	80.5	67.0
		80/67	84.4	73.5	61.4	47.9
		75/62	67.2	56.5	44.2	29.9
		70/57	52.0	40.6	29.9	22.8
CM60C	1800	85/72	115.1	103.0	91.7	78.6
		80/67	96.8	85.9	73.7	60.5
		75/62	80.7	69.4	57.5	43.5
		70/57	58.7	48.9	37.7	32.7

Continued on next page.

**COOLING CAPACITY - FULL-CASED "N" AND "A" TYPE MULTI-POSITION COIL (COIL ONLY<sup>1</sup>) (Continued)**

Model Coil	Rated CFM	Entering Air °F (Dry/Wet Bulb)	MBH@ Evaporator Temperature and Corresponding Pressure °F / PSIG			
			35/107.9	40/118.9	45/130.7	50/143.3
CM60D	1800	85/72	115.1	103.0	91.7	78.6
		80/67	96.8	85.9	73.7	60.5
		75/62	80.7	69.4	57.5	43.5
		70/57	58.7	48.9	37.7	32.7
CM61C	1600	85/72	114.8	104.1	91.2	76.7
		80/67	95.3	83.5	69.9	55.5
		75/62	76.6	64.6	50.6	35.9
		70/57	59.7	47.0	34.7	26.7
CM61D	1800	85/72	122.9	111.8	98.0	82.6
		80/67	102.2	89.8	75.7	59.9
		75/62	82.5	69.7	54.9	38.7
		70/57	64.3	50.8	38.2	29.4
CM64D	1800	85/72	133.6	118.5	103.2	86.6
		80/67	111.4	96.2	80.3	62.8
		75/62	90.7	75.1	60.0	43.5
		70/57	70.6	56.9	42.5	32.8

**NOTE:**

1. See Condensing Unit or Heat Pump Technical Guide for Total Cooling Capacity and Sensible Capacity.

**COOLING CAPACITY - UNCASED UPFLOW "N" TYPE COIL (COIL ONLY<sup>1</sup>)**

Models	Rated CFM <sup>2</sup>	Entering Air Dry/Wet Bulb (°F)	MBH@ Evap. Temp. and Corresponding R-410A Pressure (°F/PSIG)			
			35/107.9	40/118.9	45/130.7	50/143.3
CU18A	600	85/72	45.7	41.6	36.8	30.5
		80/67	38.5	33.9	28.5	22.3
		75/62	31.5	26.5	20.5	15.9
		70/57	24.4	19.5	15.2	11.5
CU18B	600	85/72	45.7	41.6	36.8	30.5
		80/67	38.5	33.9	28.5	22.3
		75/62	31.5	26.5	20.5	15.9
		70/57	24.4	19.5	15.2	11.5
CU24A	800	85/72	52.2	47.5	41.8	35.0
		80/67	43.6	38.3	31.9	24.5
		75/62	35.2	29.5	22.7	16.2
		70/57	27.1	20.7	15.5	11.4
CU24B	800	85/72	52.2	47.5	41.8	35.0
		80/67	43.6	38.3	31.9	24.5
		75/62	35.2	29.5	22.7	16.2
		70/57	27.1	20.7	15.5	11.4
CU24C	800	85/72	52.2	47.5	41.8	35.0
		80/67	43.6	38.3	31.9	24.5
		75/62	35.2	29.5	22.7	16.2
		70/57	27.1	20.7	15.5	11.4
CU30A	1000	85/72	75.3	67.8	56.8	47.1
		80/67	62.6	54.6	44.2	34.5
		75/62	50.2	41.3	32.0	22.9
		70/57	37.8	30.1	21.5	16.2
CU30B	1000	85/72	75.3	67.8	56.8	47.1
		80/67	62.6	54.6	44.2	34.5
		75/62	50.2	41.3	32.0	22.9
		70/57	37.8	30.1	21.5	16.2

Continued on next page.

**COOLING CAPACITY - UNCASSED UPFLOW "N" TYPE COIL (COIL ONLY<sup>1</sup>) (Continued)**

Models	Rated CFM <sup>2</sup>	Entering Air Dry/Wet Bulb (°F)	MBH@ Evap. Temp. and Corresponding R-410A Pressure (°F/PSIG)			
			35/107.9	40/118.9	45/130.7	50/143.3
CU30C	1000	85/72	75.3	67.8	56.8	47.1
		80/67	62.6	54.6	44.2	34.5
		75/62	50.2	41.3	32.0	22.9
		70/57	37.8	30.1	21.5	16.2
CU30D	1000	85/72	75.3	67.8	56.8	47.1
		80/67	62.6	54.6	44.2	34.5
		75/62	50.2	41.3	32.0	22.9
		70/57	37.8	30.1	21.5	16.2
CU36B	1200	85/72	91.6	82.4	71.3	59.4
		80/67	76.5	65.4	54.6	42.8
		75/62	61.3	51.2	40.0	30.5
		70/57	47.5	38.1	28.7	22.3
CU36C	1200	85/72	91.6	82.4	71.3	59.4
		80/67	76.5	65.4	54.6	42.8
		75/62	61.3	51.2	40.0	30.5
		70/57	47.5	38.1	28.7	22.3
CU36D	1200	85/72	91.6	82.4	71.3	59.4
		80/67	76.5	65.4	54.6	42.8
		75/62	61.3	51.2	40.0	30.5
		70/57	47.5	38.1	28.7	22.3
CU42C	1400	85/72	100.6	89.8	78.2	64.7
		80/67	83.5	73.7	59.8	48.0
		75/62	67.8	55.8	44.7	32.5
		70/57	52.3	41.5	30.7	23.7
CU42D	1400	85/72	100.6	89.8	78.2	64.7
		80/67	83.5	73.7	59.8	48.0
		75/62	67.8	55.8	44.7	32.5
		70/57	52.3	41.5	30.7	23.7
CU48C	1600	85/72	115.2	105.0	93.9	79.0
		80/67	88.3	78.2	65.5	52.6
		75/62	72.7	60.8	50.1	37.6
		70/57	57.7	46.9	36.6	29.7
CU48D	1600	85/72	115.2	105.0	93.9	79.0
		80/67	88.3	78.2	65.5	52.6
		75/62	72.7	60.8	50.1	37.6
		70/57	57.7	46.9	36.6	29.7
CU60C	1800	85/72	115.1	103.0	91.7	78.6
		80/67	96.8	85.9	73.7	60.5
		75/62	80.7	69.4	57.5	43.5
		70/57	58.7	48.9	37.7	32.7
CU60D	1800	85/72	115.1	103.0	91.7	78.6
		80/67	96.8	85.9	73.7	60.5
		75/62	80.7	69.4	57.5	43.5
		70/57	58.7	48.9	37.7	32.7

1. See Condensing Unit or Heat Pump Technical Guide for Total Cooling Capacity and Sensible Capacity.

**APPLICATION FACTOR-RATED CFM VS. ACTUAL CFM**

% Of Rated Air Flow (CFM)*	80%	90%	100%	110%	120%
Capacity Factor	0.96	0.98	1	1.02	1.03

\*Do not exceed minimum/maximum CFM limits shown under Air Flow Data.

**APPLICATION LIMITATIONS**

These units must be installed in accordance with all national and local safety codes.

Air flow must be within the minimum and maximum limits approved for electric heat, evaporator coils and outdoor units.

**STATIC PRESSURE VS. AIRFLOW  
BASED ON WET COIL -  
UPFLOW CASED "N" TYPE COIL**

Model	Airflow	Wet Coil
CF18A	500	0.11
	600	0.15
	675	0.18
CF18B	525	0.09
	600	0.11
	675	0.13
CF24A	650	0.16
	800	0.22
	900	0.27
CF24B	650	0.13
	800	0.18
	900	0.22
CF24C	650	0.08
	800	0.10
	900	0.12
CF30A	825	0.28
	1000	0.40
	1125	0.50
CF30B	825	0.14
	1000	0.19
	1125	0.23
CF30C	825	0.10
	1000	0.13
	1125	0.16
CF30D	825	0.08
	1000	0.11
	1125	0.13
CF36A	975	0.34
	1200	0.50
	1350	0.62
CF36B	975	0.19
	1200	0.27
	1350	0.33
CF36C	975	0.12
	1200	0.16
	1350	0.19
CF36D	975	0.09
	1200	0.12
	1350	0.14
CF42B	1150	0.26
	1400	0.37
	1575	0.46
CF42C	1150	0.14
	1400	0.20
	1575	0.25
CF42D	1150	0.11
	1400	0.15
	1575	0.18
CF48C	1300	0.17
	1600	0.24
	1800	0.30

**STATIC PRESSURE VS. AIRFLOW  
BASED ON WET COIL -  
UPFLOW CASED "N" TYPE COIL**

Model	Airflow	Wet Coil
CF48D	1300	0.13
	1600	0.18
	1800	0.22
CF50C	1625	0.29
	1800	0.35
	2000	0.43
	2250	0.53
CF60C	1625	0.26
	1800	0.31
	2000	0.38
	2250	0.47
CF60D	1625	0.17
	1800	0.20
	2000	0.24
	2250	0.30
CF61D	1625	0.20
	1800	0.24
	2000	0.29
	2250	0.36
CF64D	1625	0.23
	1800	0.28
	2000	0.34
	2250	0.42

**STATIC PRESSURE VS. AIRFLOW BASED ON WET  
COIL - CASED "N" AND "A" TYPE MULTI-POSITION  
COIL**

Model	Airflow	Static
CM18A	500	0.14
	600	0.18
	675	0.22
CM18B	525	0.09
	600	0.11
	675	0.13
CM24A	650	0.20
	800	0.29
	900	0.37
CM24B	650	0.09
	800	0.14
	900	0.18
CM24C	650	0.09
	800	0.12
	900	0.14
CM25B	975	0.21
	1200	0.32
	1350	0.41
CM30A	825	0.26
	1000	0.37
	1125	0.44

Continued on next page

**STATIC PRESSURE VS. AIRFLOW BASED ON WET COIL - CASED N" AND "A"TYPE MULTI-POSITION COIL (Continued)**

Model	Airflow	Static
CM30B	825	0.18
	1000	0.23
	1125	0.28
CM30C	825	0.10
	1000	0.14
	1125	0.16
CM30D	825	0.08
	1000	0.10
	1125	0.12
CM36A	975	0.36
	1200	0.49
	1350	0.58
CM36B	975	0.21
	1200	0.32
	1350	0.41
CM36C	975	0.13
	1200	0.17
	1350	0.21
CM36D	975	0.10
	1200	0.13
	1350	0.15
CM37B	975	0.21
	1200	0.32
	1350	0.41
CM37C	975	0.13
	1200	0.17
	1350	0.21
CM38C	975	0.15
	1200	0.23
	1350	0.30
CM42C	1150	0.17
	1400	0.22
	1575	0.27
CM42D	1150	0.13
	1400	0.17
	1575	0.20
CM48C	1300	0.20
	1600	0.27
	1800	0.31
CM48D	1300	0.14
	1600	0.19
	1800	0.23
CM49C	1300	0.27
	1600	0.41
	1800	0.52
CM49D	1300	0.20
	1600	0.27
	1800	0.33
CM50C	1625	0.30
	1800	0.36
	2000	0.44

**STATIC PRESSURE VS. AIRFLOW BASED ON WET COIL - CASED N" AND "A"TYPE MULTI-POSITION COIL (Continued)**

Model	Airflow	Static
CM50D	1625	0.25
	1800	0.30
	2250	0.46
CM60C	1625	0.25
	1800	0.30
	2000	0.35
	2250	0.43
CM60D	1625	0.21
	1800	0.25
	2000	0.30
CM61C	2250	0.36
	1625	0.30
	1800	0.36
CM61D	2000	0.44
	2250	0.56
	1625	0.26
	1800	0.29
CM64D	2000	0.35
	2250	0.44
	1625	0.26
CM64D	1800	0.32
	2000	0.41
	2250	0.54

**STATIC PRESSURE VS. AIRFLOW BASED ON WET COIL: UNCASSED UPFLOW N-TYPE COIL**

Model	Airflow	Wet Coil
CU18A	500	0.14
	600	0.18
	675	0.22
CU18B	525	0.09
	600	0.11
	675	0.13
CU24A	650	0.20
	800	0.29
	900	0.37
CU24B	650	0.09
	800	0.14
	900	0.18
CU24C	650	0.09
	800	0.12
	900	0.14
CU30A	825	0.26
	1000	0.37
	1125	0.44
CU30B	825	0.18
	1000	0.23
	1125	0.28
CU30C	825	0.10
	1000	0.14
	1125	0.16

Continued on next page.

**STATIC PRESSURE VS. AIRFLOW BASED ON WET COIL: UNCASSED UPFLOW N-TYPE COIL (Continued)**

Model	Airflow	Wet Coil
CU30D	825	0.08
	1000	0.10
	1125	0.12
CU36B	975	0.21
	1200	0.32
	1350	0.41
CU36C	975	0.13
	1200	0.17
	1350	0.21
CU36D	975	0.10
	1200	0.13
	1350	0.15
CU42C	1150	0.17
	1400	0.22
	1575	0.27

**STATIC PRESSURE VS. AIRFLOW BASED ON WET COIL: UNCASSED UPFLOW N-TYPE COIL (Continued)**

Model	Airflow	Wet Coil
CU42D	1150	0.13
	1400	0.17
	1575	0.20
CU48C	1300	0.20
	1600	0.27
	1800	0.31
CU48D	1300	0.14
	1600	0.19
	1800	0.23
CU60C	1625	0.25
	1800	0.30
	2000	0.35
	2250	0.43
CU60D	1625	0.21
	1800	0.25
	2000	0.30
	2250	0.36

**COIL TECHNICAL DATA<sup>1</sup> - CASSED UPFLOW/DOWNFLOW**

Model	Application	Refrig. Conn. Types	Face Area (Sq. Ft.)	Rows Deep	Fin Per In.	Coil Size	Tube Geometry	Tube Dia.	Fin Type	Shipping Weight (lbs)	Installed Weight (lbs)
CF18A	Cooling /Heat Pump	Sweat	4.28	2	14	(3) 12 x 17.1	1 x 0.866	3/8	Sine Wave	38	37
CF18B	Cooling /Heat Pump	Sweat	4.28	2	14	(3) 12 x 17.1	1 x 0.866	3/8	Sine Wave	40	39
CF24A	Cooling /Heat Pump	Sweat	4.99	2	14	(3) 14 x 17.1	1 x 0.866	3/8	Sine Wave	41	40
CF24B	Cooling /Heat Pump	Sweat	4.99	2	14	(3) 14 x 17.1	1 x 0.866	3/8	Sine Wave	42	41
CF24C	Cooling /Heat Pump	Sweat	4.99	2	14	(3) 14 x 17.1	1 x 0.866	3/8	Sine Wave	43	42
CM25B	Cooling /Heat Pump	Sweat	7.13	2	14	(3) 20 x 17.1	1 x 0.866	3/8	Sine Wave	56	55
CF30A	Cooling /Heat Pump	Sweat	6.41	2	14	(3) 18 x 17.1	1 x 0.866	3/8	Sine Wave	47	46
CF30B	Cooling /Heat Pump	Sweat	6.41	2	14	(3) 18 x 17.1	1 x 0.866	3/8	Sine Wave	50	49
CF30C	Cooling /Heat Pump	Sweat	6.41	2	14	(3) 18 x 17.1	1 x 0.866	3/8	Sine Wave	51	50
CF30D	Cooling /Heat Pump	Sweat	6.41	2	14	(3) 18 x 17.1	1 x 0.866	3/8	Sine Wave	52	51
CF36A	Cooling /Heat Pump	Sweat	7.12	2	14	(3) 20 x 17.1	1 x 0.866	3/8	Sine Wave	51	50
CF36B	Cooling /Heat Pump	Sweat	7.12	2	14	(3) 20 x 17.1	1 x 0.866	3/8	Sine Wave	53	52
CF36C	Cooling /Heat Pump	Sweat	7.12	2	14	(3) 20 x 17.1	1 x 0.866	3/8	Sine Wave	54	53
CF36D	Cooling /Heat Pump	Sweat	7.12	2	14	(3) 20 x 17.1	1 x 0.866	3/8	Sine Wave	61	60
CM37B	Cooling /Heat Pump	Sweat	7.13	2	14	(3) 20 x 17.1	1 x 0.866	3/8	Sine Wave	56	55
CM37C	Cooling /Heat Pump	Sweat	7.13	2	14	(3) 20 x 17.1	1 x 0.866	3/8	Sine Wave	57	56
CM38C	Cooling /Heat Pump	Sweat	6.65	3	12	(2) 28 x 17.1	1 x 0.866	3/8	Sine Wave	76	75
CF42C	Cooling /Heat Pump	Sweat	7.84	2	14	(3) 22 x 17.1	1 x 0.866	3/8	Sine Wave	59	58
CF42D	Cooling /Heat Pump	Sweat	7.84	2	14	(3) 22 x 17.1	1 x 0.866	3/8	Sine Wave	62	61
CF48C	Cooling /Heat Pump	Sweat	8.55	2	14	(3) 24 x 17.1	1 x 0.866	3/8	Sine Wave	63	62
CF48D	Cooling /Heat Pump	Sweat	8.55	2	14	(3) 24 x 17.1	1 x 0.866	3/8	Sine Wave	65	64
CM49C	Cooling /Heat Pump	Sweat	6.65	3	12	(2) 28 x 17.1	1 x 0.866	3/8	Sine Wave	76	75
CM49D	Cooling /Heat Pump	Sweat	6.65	3	12	(2) 28 x 17.1	1 x 0.866	3/8	Sine Wave	78	77
CM50C	Cooling /Heat Pump	Sweat	7.60	3	12	(2) 32 x 17.1	1 x 0.866	3/8	Sine Wave	80	79
CM50D	Cooling /Heat Pump	Sweat	7.60	3	12	(2) 32 x 17.1	1 x 0.866	3/8	Sine Wave	81	80
CF60C	Cooling /Heat Pump	Sweat	9.98	2	14	(3) 28 x 17.1	1 x 0.866	3/8	Sine Wave	73	72
CF60D	Cooling /Heat Pump	Sweat	9.98	2	14	(3) 28 x 17.1	1 x 0.866	3/8	Sine Wave	75	74
CM61C	Cooling /Heat Pump	Sweat	7.60	3	12	(2) 32 x 17.1	1 x 0.866	3/8	Sine Wave	80	79
CM61D	Cooling /Heat Pump	Sweat	7.60	3	12	(2) 32 x 17.1	1 x 0.866	3/8	Sine Wave	81	80
CF64D	Cooling /Heat Pump	Sweat	9.98	3	12	(3) 28 x 17.1	1 x 0.866	3/8	Sine Wave	80	79

1. Refer to the matching outdoor unit Technical Guide for correct TXV.

**COIL TECHNICAL DATA<sup>1</sup> - FULL CASED "N" AND "A" TYPE MULTI-POSITION**

Model	Application	Refrig. Conn. Types	Face Area (Sq. Ft.)	Rows Deep	Fins Per In.	Coil Size	Tube Geometry	Tube Dia.	Fin Type	Shipping Weight (lbs)	Installed Weight (lbs)
CM18A	Cooling /Heat Pump	Sweat	4.28	2	14	(3) 12 x 17.1	1 x 0.866	3/8	Sine Wave	40	39
CM18B	Cooling /Heat Pump	Sweat	4.28	2	14	(3) 12 x 17.1	1 x 0.866	3/8	Sine Wave	42	41
CM24A	Cooling /Heat Pump	Sweat	4.99	2	14	(3) 14 x 17.1	1 x 0.866	3/8	Sine Wave	43	42
CM24B	Cooling /Heat Pump	Sweat	4.99	2	14	(3) 14 x 17.1	1 x 0.866	3/8	Sine Wave	44	43
CM24C	Cooling /Heat Pump	Sweat	4.99	2	14	(3) 14 x 17.1	1 x 0.866	3/8	Sine Wave	45	44
CM25B	Cooling /Heat Pump	Sweat	7.13	2	14	(3) 20 x 17.1	1 x 0.866	3/8	Sine Wave	56	55
CM30A	Cooling /Heat Pump	Sweat	6.41	2	14	(3) 18 x 17.1	1 x 0.866	3/8	Sine Wave	49	48
CM30B	Cooling /Heat Pump	Sweat	6.41	2	14	(3) 18 x 17.1	1 x 0.866	3/8	Sine Wave	52	51
CM30C	Cooling /Heat Pump	Sweat	6.41	2	14	(3) 18 x 17.1	1 x 0.866	3/8	Sine Wave	53	52
CM30D	Cooling /Heat Pump	Sweat	6.41	2	14	(3) 18 x 17.1	1 x 0.866	3/8	Sine Wave	54	53
CM36A	Cooling /Heat Pump	Sweat	7.12	2	14	(3) 20 x 17.1	1 x 0.866	3/8	Sine Wave	53	52
CM36B	Cooling /Heat Pump	Sweat	7.12	2	14	(3) 20 x 17.1	1 x 0.866	3/8	Sine Wave	55	54
CM36C	Cooling /Heat Pump	Sweat	7.12	2	14	(3) 20 x 17.1	1 x 0.866	3/8	Sine Wave	56	55
CM36D	Cooling /Heat Pump	Sweat	7.12	2	14	(3) 20 x 17.1	1 x 0.866	3/8	Sine Wave	63	62
CM37B	Cooling /Heat Pump	Sweat	7.13	2	14	(3) 20 x 17.1	1 x 0.866	3/8	Sine Wave	56	55
CM37C	Cooling /Heat Pump	Sweat	7.13	2	14	(3) 20 x 17.1	1 x 0.866	3/8	Sine Wave	57	56
CM38C	Cooling /Heat Pump	Sweat	6.65	3	12	(2) 28 x 17.1	1 x 0.866	3/8	Sine Wave	76	75
CM42C	Cooling /Heat Pump	Sweat	7.84	2	14	(3) 22 x 17.1	1 x 0.866	3/8	Sine Wave	61	60
CM42D	Cooling /Heat Pump	Sweat	7.84	2	14	(3) 22 x 17.1	1 x 0.866	3/8	Sine Wave	64	63
CM48C	Cooling /Heat Pump	Sweat	8.55	2	14	(3) 24 x 17.1	1 x 0.866	3/8	Sine Wave	65	64
CM48D	Cooling /Heat Pump	Sweat	8.55	2	14	(3) 24 x 17.1	1 x 0.866	3/8	Sine Wave	67	66
CM49C	Cooling /Heat Pump	Sweat	6.65	3	12	(2) 28 x 17.1	1 x 0.866	3/8	Sine Wave	76	75
CM49D	Cooling /Heat Pump	Sweat	6.65	3	12	(2) 28 x 17.1	1 x 0.866	3/8	Sine Wave	78	77
CM50C	Cooling /Heat Pump	Sweat	7.60	3	12	(2) 32 x 17.1	1 x 0.866	3/8	Sine Wave	80	79
CM50D	Cooling /Heat Pump	Sweat	7.60	3	12	(2) 32 x 17.1	1 x 0.866	3/8	Sine Wave	81	80
CM60C	Cooling /Heat Pump	Sweat	9.98	2	14	(3) 28 x 17.1	1 x 0.866	3/8	Sine Wave	75	74
CM60D	Cooling /Heat Pump	Sweat	9.98	2	14	(3) 28 x 17.1	1 x 0.866	3/8	Sine Wave	77	76
CM61C	Cooling /Heat Pump	Sweat	7.60	3	12	(2) 32 x 17.1	1 x 0.866	3/8	Sine Wave	80	79
CM61D	Cooling /Heat Pump	Sweat	7.60	3	12	(2) 32 x 17.1	1 x 0.866	3/8	Sine Wave	81	80
CM64D	Cooling /Heat Pump	Sweat	9.98	3	12	(3) 28 x 17.1	1 x 0.866	3/8	Sine Wave	83	82

1. Refer to the matching outdoor unit Technical Guide for correct TXV.

**Note:** CM coils supplied with a factory installed horizontal drain pan (H).

**COIL TECHNICAL DATA<sup>1</sup> - UNCASED UPFLOW - "N" TYPE**

Models	Application	Refrig. Conn. Types	Face Area (Sq. Ft.)	Rows Deep	Fins Per Inch	Coil Size	Tube Geometry	Tube Diameter	Fin Type	Shipping Weight (lbs)	Installed Weight (lbs)
CU18A	Cooling /Heat Pump	Sweat	4.28	2	14	(3) 12 x 17.1	1 x 0.866	3/8"	Sine Wave	23	20
CU18B	Cooling /Heat Pump	Sweat	4.28	2	14	(3) 12 x 17.1	1 x 0.866	3/8"	Sine Wave	25	20
CU24A	Cooling /Heat Pump	Sweat	4.99	2	14	(3) 14 x 17.1	1 x 0.866	3/8"	Sine Wave	25	22
CU24B	Cooling /Heat Pump	Sweat	4.99	2	14	(3) 14 x 17.1	1 x 0.866	3/8"	Sine Wave	26	23
CU24C	Cooling /Heat Pump	Sweat	4.99	2	14	(3) 14 x 17.1	1 x 0.866	3/8"	Sine Wave	27	24
CU30A	Cooling /Heat Pump	Sweat	6.41	2	14	(3) 18 x 17.1	1 x 0.866	3/8"	Sine Wave	31	28
CU30B	Cooling /Heat Pump	Sweat	6.41	2	14	(3) 18 x 17.1	1 x 0.866	3/8"	Sine Wave	31	28
CU30C	Cooling /Heat Pump	Sweat	6.41	2	14	(3) 18 x 17.1	1 x 0.866	3/8"	Sine Wave	32	29
CU30D	Cooling /Heat Pump	Sweat	6.41	2	14	(3) 18 x 17.1	1 x 0.866	3/8"	Sine Wave	33	30
CU36B	Cooling /Heat Pump	Sweat	7.12	2	14	(3) 20 x 17.1	1 x 0.866	3/8"	Sine Wave	34	31
CU36C	Cooling /Heat Pump	Sweat	7.12	2	14	(3) 20 x 17.1	1 x 0.866	3/8"	Sine Wave	35	32
CU36D	Cooling /Heat Pump	Sweat	7.12	2	14	(3) 20 x 17.1	1 x 0.866	3/8"	Sine Wave	36	33
CU42C	Cooling /Heat Pump	Sweat	7.84	2	14	(3) 22 x 17.1	1 x 0.866	3/8"	Sine Wave	38	35
CU42D	Cooling /Heat Pump	Sweat	7.84	2	14	(3) 22 x 17.1	1 x 0.866	3/8"	Sine Wave	39	36
CU48C	Cooling /Heat Pump	Sweat	8.55	2	14	(3) 24 x 17.1	1 x 0.866	3/8"	Sine Wave	41	38
CU48D	Cooling /Heat Pump	Sweat	8.55	2	14	(3) 24 x 17.1	1 x 0.866	3/8"	Sine Wave	42	39
CU60C	Cooling /Heat Pump	Sweat	9.98	2	14	(3) 28 x 17.1	1 x 0.866	3/8"	Sine Wave	46	43
CU60D	Cooling /Heat Pump	Sweat	9.98	2	14	(3) 28 x 17.1	1 x 0.866	3/8"	Sine Wave	47	44

1. Refer to the matching outdoor unit Technical Guide for correct TXV.

**AIR FLOW DATA - STATIC PRESSURE DROP FOR CU MODELS<sup>1</sup>**

Models	External Static Pressure (in. wc.)						
	0.1	0.2	0.3	0.4	0.5	0.6	0.7
CU18A	500	700	840	1000	1118	1225	1323
CU18B	670	960	1180	1340	1498	1641	1773
CU24A	490	710	850	980	1096	1200	1296
CU24B	760	1050	1330	1520	1699	1862	2011
CU24C	910	1330	1640	1820	2035	2229	2408
CU30A	520	750	950	1040	1163	1274	1376
CU30B	670	1000	1230	1340	1498	1641	1773
CU30C	970	1410	1710	1940	2169	2376	2566
CU30D	1180	1720	2100	2360	2639	2890	3122
CU36B	710	1020	1210	1420	1588	1739	1878
CU36C	980	1420	1690	1960	2191	2400	2593
CU36D	1210	1750	2150	2420	2706	2964	3201
CU42C	970	1420	1750	1940	2169	2376	2566
CU42D	1190	1730	2130	2380	2661	2915	3148
CU48C	970	1450	1910	1940	2169	2376	2566
CU48D	1250	1820	2250	2500	2795	3062	3307
CU60C	910	1730	2140	1820	2035	2229	2408
CU60D	1220	1730	2140	2440	2728	2988	3228

1. Dry coil conditions only, tested without filters.

For optimal performance, external static pressures of 0.2" to 0.5" are recommended. Applications above 0.6" are not recommended.

**AIR FLOW DATA (CFM)<sup>1</sup>**

Models	CFM										
	400	600	800	1000	1200	1400	1600	1800	2000	2200	2400
	External Static Pressure (in. wc.) at noted CFM										
CF18A	0.05	0.12	0.21	0.32	0.48	0.64	NA	NA	NA	NA	NA
CF18B	0.02	0.08	0.12	0.17	0.24	0.32	0.42	0.52	NA	NA	NA
CF24A	0.05	0.12	0.19	0.31	0.46	0.62	NA	NA	NA	NA	NA
CF24B	0.03	0.07	0.15	0.16	0.24	0.32	0.40	0.51	NA	NA	NA
CF24C	0.03	0.04	0.07	0.10	0.14	0.20	0.25	0.31	0.38	0.46	0.53
CF30A	0.06	0.14	0.24	0.37	0.55	NA	NA	NA	NA	NA	NA
CF30B	0.05	0.07	0.11	0.16	0.22	0.30	0.39	0.49	0.60	NA	NA
CF30C	0.02	0.04	0.08	0.10	0.14	0.18	0.23	0.28	0.35	0.42	0.49
CF30D	0.03	0.04	0.07	0.08	0.11	0.13	0.18	0.22	0.26	0.31	0.36
CF36A	0.05	0.11	0.20	0.32	0.47	0.64	NA	NA	NA	NA	NA
CF36B	0.05	0.06	0.08	0.16	0.24	0.32	0.41	0.52	NA	NA	NA
CF36C	0.02	0.04	0.07	0.09	0.13	0.18	0.23	0.28	0.35	0.42	0.50
CF36D	0.02	0.04	0.04	0.06	0.09	0.12	0.16	0.20	0.24	0.28	0.33
CF42B	0.05	0.06	0.15	0.17	0.25	0.34	0.43	0.54	NA	NA	NA
CF42C	0.02	0.03	0.07	0.09	0.13	0.17	0.23	0.29	0.35	0.42	0.50
CF42D	0.03	0.03	0.07	0.06	0.09	0.12	0.15	0.19	0.23	0.27	0.32
CF48C	0.02	0.03	0.06	0.08	0.12	0.17	0.21	0.26	0.33	0.40	0.47
CF48D	0.02	0.03	0.04	0.06	0.09	0.12	0.15	0.19	0.23	0.27	0.33
CF50C	0.02	0.04	0.06	0.10	0.15	0.20	0.25	0.32	0.39	0.47	0.56
CF60C	0.01	0.03	0.07	0.09	0.13	0.18	0.23	0.28	0.35	0.43	0.49
CF60D	0.01	0.02	0.04	0.06	0.08	0.11	0.14	0.17	0.22	0.26	0.30
CF61D	0.02	0.04	0.06	0.07	0.10	0.13	0.17	0.21	0.27	0.32	0.37
CF64D	0.01	0.03	0.05	0.08	0.12	0.16	0.2	0.25	0.3	0.37	0.44

1. Dry coil conditions only, tested without filters.

For optimal performance, external static pressures of 0.2" to 0.5" are recommended. Applications above 0.5" are not recommended.

**AIR FLOW DATA (CFM)<sup>1</sup>**

Models	CFM										
	400	600	800	1000	1200	1400	1600	1800	2000	2200	2400
	External Static Pressure (in. wc.)										
CM18A	0.07	0.15	0.26	0.41	0.60	NA	NA	NA	NA	NA	NA
CM18B	0.04	0.08	0.14	0.21	0.30	0.41	0.52	NA	NA	NA	NA
CM24A	0.07	0.14	0.24	0.37	0.56	NA	NA	NA	NA	NA	NA
CM24B	0.02	0.05	0.13	0.21	0.28	0.37	0.49	NA	NA	NA	NA
CM24C	0.03	0.04	0.07	0.12	0.16	0.22	0.27	0.35	0.41	0.48	0.59
CM25B	0.02	0.08	0.15	0.20	0.29	0.39	0.50	NA	NA	NA	NA
CM30A	0.07	0.14	0.25	0.41	0.60	NA	NA	NA	NA	NA	NA
CM30B	0.03	0.07	0.12	0.21	0.30	0.40	0.52	NA	NA	NA	NA
CM30C	0.03	0.05	0.09	0.12	0.16	0.22	0.28	0.35	0.43	0.51	NA
CM30D	0.04	0.03	0.06	0.09	0.12	0.15	0.19	0.24	0.29	0.34	0.40
CM36A	0.07	0.17	0.27	0.42	0.63	NA	NA	NA	NA	NA	NA
CM36B	0.02	0.08	0.15	0.20	0.29	0.39	0.50	NA	NA	NA	NA
CM36C	0.01	0.04	0.05	0.10	0.14	0.20	0.25	0.31	0.39	0.48	0.55
CM36D	0.04	0.04	0.06	0.08	0.11	0.15	0.18	0.23	0.27	0.33	0.38
CM37B#	0.02	0.08	0.15	0.20	0.29	0.39	0.50	NA	NA	NA	NA
CM37C#	0.01	0.04	0.05	0.10	0.14	0.20	0.25	0.31	0.39	0.48	0.55
CM38C#	0.02	0.05	0.07	0.13	0.19	0.25	0.32	0.39	0.49	0.58	NA
CM42C	0.02	0.04	0.07	0.10	0.14	0.20	0.26	0.33	0.39	0.46	0.55
CM42D	0.03	0.03	0.05	0.07	0.10	0.13	0.17	0.21	0.25	0.31	0.37
CM48C	0.02	0.03	0.07	0.10	0.12	0.16	0.21	0.27	0.32	0.39	0.45
CM48D	0.02	0.03	0.05	0.06	0.11	0.13	0.17	0.20	0.25	0.29	0.35
CM49C#	0.02	0.05	0.07	0.13	0.19	0.25	0.32	0.39	0.49	0.58	NA
CM49D#	0.04	0.03	0.08	0.09	0.12	0.16	0.21	0.27	0.32	0.39	0.46
CM50C#	0.03	0.05	0.09	0.14	0.19	0.25	0.32	0.41	0.50	0.60	NA
CM50D#	0.02	0.04	0.06	0.11	0.16	0.20	0.26	0.32	0.38	0.48	0.55
CM60C	0.01	0.04	0.07	0.10	0.14	0.19	0.24	0.29	0.38	0.45	0.53
CM60D	0.02	0.03	0.06	0.06	0.08	0.12	0.15	0.19	0.23	0.28	0.34
CM61C#	0.03	0.05	0.09	0.14	0.19	0.25	0.32	0.41	0.50	0.60	NA
CM61D#	0.02	0.04	0.06	0.11	0.16	0.20	0.26	0.32	0.38	0.48	0.55
CM64D	0.03	0.04	0.06	0.10	0.15	0.19	0.25	0.31	0.38	0.47	0.55

1. Dry coil conditions only, tested without filters.

For optimal performance, external static pressures of 0.2" to 0.5" are recommended. Applications above 0.5" are not recommended.

# NOTES