

SUBMITTAL DATA SHEET

FULL-CASED MULTI-POSITION ADD-ON COILS FOR USE WITH SPLIT-SYSTEM COOLING & HEAT PUMPS

MODELS: CM

JOB NAME:			LOCATION:	
PURCHASER:			ORDER NO:	
ENGINEER:				
SUBMITTED TO:	FOR:	REF:	APPROVAL:	CONSTRUCTION:
SUBMITTED BY:			DATE:	
UNIT DESIGNATION:			SCHEDULE NO.	MODEL NO.

PRODUCT DATA

Cooling Performance

Total Capacity* _____ MBH

Sensible Capacity* _____ MBH

Temperature of Air Entering

Indoor Coil _____ °F (DB/WB)

Supply Air Blower Performance

Total Supply Air _____ CFM

Total Resistance External To Unit _____ IWG

Blower Speed Tap _____ RPM

Motor Rating _____ HP

Unit Weight

Total Operating Weight _____ LBS

(Including field-installed accessories)

* Shown in Outdoor Unit Technical Guide

CLEARANCES

Front	24"
Rear	0"
Sides	0"

Recommended service clearance.



FIELD INSTALLED ACCESSORIES

- Capacity _____ MBH
- Filter Rack (# _____)
- Interconnecting Lines. . . . Length _____ Ft
- Thermal Expansion Valve Kit (# _____)
- UV Light Kit _____

MATCHED INDOOR UNIT

- Model Number (# _____)
- Submittal Part Number (# _____)

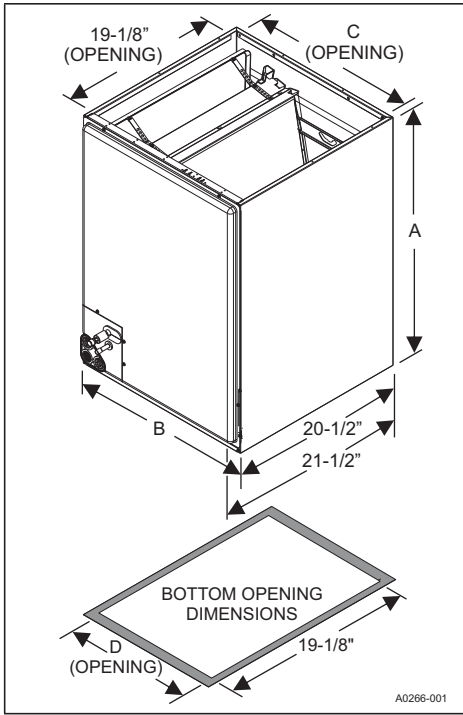
MATCHED OUTDOOR UNIT

- Model Number (# _____)
- Submittal Part Number (# _____)

FEATURES

- **Rigid Case Construction** - An interior endoskeleton provides structural support eliminating screw heads protruding from the side of the cabinet that could damage property when being installed.
- **Cabinet** - Constructed of heavy gauge galvanized steel with a primer and finish coat providing a high quality corrosion resistant finish.
- **MaxAlloy™ Coil** - Long life aluminum coils built to deliver lasting performance, efficiency and reliability.
- **Foil faced insulation** - The entire cabinet is insulated with a single piece of cleanable foil faced insulation retained by the endoskeleton. The cabinet design is such that all edges of the insulation are contained.
- **Electronic Expansion Valve (EEV)** - Factory installed on select models and sized to match with specific high-efficiency variable capacity outdoor units.
- **Compact Cabinet** - With the coil and access door removed, the CM coil has a 20.5" casing depth in all models which provide ease of attic access and space constrained applications.
- **Thermoset Drain Pan** - Corrosion and UV resistant with a positive slope for proper drainage. Low water retention design maximizes indoor air quality and consumer comfort.
- **Low Leakage Cabinet Design** - Fully gasketed doors minimize air leakage to no more than 2% when measured at 1.0" esp. minimizing conditioned air leakage and infiltration.
- **Duct Flange** - Duct flanges are supplied to be field installed when required.
- **Thermostatic Expansion Valves (TXV)** - Select factory installed and field installed models are available utilizing chatleff fittings (no brazing required).

DIMENSIONS - INCHES



CM MULTI-POSITION FULL CASED COILS

Model	Dimensions (inches)				Weight (lbs)		Metering Device	Refrigerant ¹ Connections		
	Tall	Wide	Opening Width		Ship	Operate		Line Size		
	A	B	C	D			Liquid	Vapor		
CM - Indoor Coil Multi-position MaxAlloy™ No Factory Installed Metering Device										
CM18AXA1	19-1/2	14-1/2	13-1/2	13-1/2	40	39	Flex	3/8	3/4	
CM18BXA1	19	17-1/2	16-1/2	16-1/2	42	41	Flex			
CM24AXA1	19-1/2	14-1/2	13-1/2	13-1/2	43	42	Flex			
CM24BXA1	19	17-1/2	16-1/2	16-1/2	44	43	Flex			
CM24CXA1	21	21	20	20	45	44	Flex			
CM30AXA1	25-1/2	14-1/2	13-1/2	13-1/2	49	48	Flex			
CM30BXA1	23	17-1/2	16-1/2	16-1/2	52	51	Flex			
CM30CXA1	23	21	20	20	53	52	Flex			
CM30DXA1	25	24-1/2	23-1/2	23-1/2	54	53	Flex			
CM36AXA1	25-1/2	14-1/2	13-1/2	13-1/2	53	52	Flex			
CM36BXA1	25-5/8	17-1/2	16-1/2	16-1/2	55	54	Flex			
CM36CXA1	25	21	20	20	56	55	Flex			
CM36DXA1	25	24-1/2	23-1/2	23-1/2	63	62	Flex	7/8		
CM42CXA1	27	21	20	20	61	60	Flex			
CM42DXA1	27	24-1/2	23-1/2	23-1/2	64	63	Flex			
CM48CXA1	33	21	20	20	65	64	Flex			
CM48DXA1	32-3/4	24-1/2	23-1/2	23-1/2	67	66	Flex			
CM50CXA1	37-1/4	21	20	20	81	80	Flex			
CM60DXA2	33	21	20	20	75	74	Flex			
CM60DXA2	32-3/4	24-1/2	23-1/2	23-1/2	77	76	Flex			
CM61DXA1	37-1/4	24-1/2	23-1/2	23-1/2	81	80	Flex			
CM64DXA1	32-3/4	24-1/2	23-1/2	23-1/2	83	82	Flex			
CM - Indoor Coil Multi-position MaxAlloy™ Factory Installed TXV Coils										
CM18ABAA1	19-1/2	14-1/2	13-1/2	13-1/2	42	41	FM TXV		3/8	3/4
CM18ABHA1	19-1/2	14-1/2	13-1/2	13-1/2	42	41	FM TXV			
CM24ABAA1	19-1/2	14-1/2	13-1/2	13-1/2	44	43	FM TXV			
CM24BBAA1	19	17-1/2	16-1/2	16-1/2	45	44	FM TXV			
CM24BBHA1	19	17-1/2	16-1/2	16-1/2	45	44	FM TXV			
CM30ABBA1	25-1/2	14-1/2	13-1/2	13-1/2	50	49	FM TXV			
CM30BBAA1	23	17-1/2	16-1/2	16-1/2	52	51	FM TXV			
CM30BBBA1	23	17-1/2	16-1/2	16-1/2	52	51	FM TXV			
CM30BBHA1	23	17-1/2	16-1/2	16-1/2	52	51	FM TXV			
CM36BBAA1	25-5/8	17-1/2	16-1/2	16-1/2	56	55	FM TXV			
CM36BBCA1	25-5/8	17-1/2	16-1/2	16-1/2	56	55	FM TXV			
CM36CBAA1	25	21	20	20	57	56	FM TXV			
CM42CBAA1	27	21	20	20	62	61	FM TXV	7/8		
CM42CBCA1	27	21	20	20	62	61	FM TXV			
CM48CBBA1	33	21	20	20	68	67	FM TXV			
CM48CBCA1	33	21	20	20	68	67	FM TXV			
CM48DBCA1	32-3/4	24-1/2	23-1/2	23-1/2	69	68	FM TXV			
CM60CBDA2	33	21	20	20	78	77	FM TXV			
CM60CBGA2	33	21	20	20	78	77	FM TXV			
CM60DBDA2	32-3/4	24-1/2	23-1/2	23-1/2	80	79	FM TXV			
CM - Indoor Coil Multi-position MaxAlloy™ Factory Installed EEV Coils										
CM25BE1A1	25-5/8	17-1/2	16-1/2	16-1/2	56	55	FM EEV		3/8	3/4
CM37BE2A1	25-5/8	17-1/2	16-1/2	16-1/2	57	56	FM EEV			
CM37CE2A1	25	21	20	20	57	56	FM EEV			
CM38CE2A1	25	21	20	20	57	56	FM EEV			
CM49CE3A1	33	21	20	20	76	75	FM EEV			
CM49DE3A1	32-3/4	24-1/2	23-1/2	23-1/2	78	77	FM EEV			
CM50CE3A1	37-1/4	21	20	20	81	80	FM EEV	7/8		
CM50DE3A1	27-1/4	24-1/2	23-1/2	23-1/2	81	80	FM EEV			
CM61CE4A1	37-1/4	21	20	20	81	80	FM EEV			
CM61DE4A1	37-1/4	24-1/2	23-1/2	23-1/2	81	80	FM EEV			

1. See outdoor unit technical guide for proper line set size.