



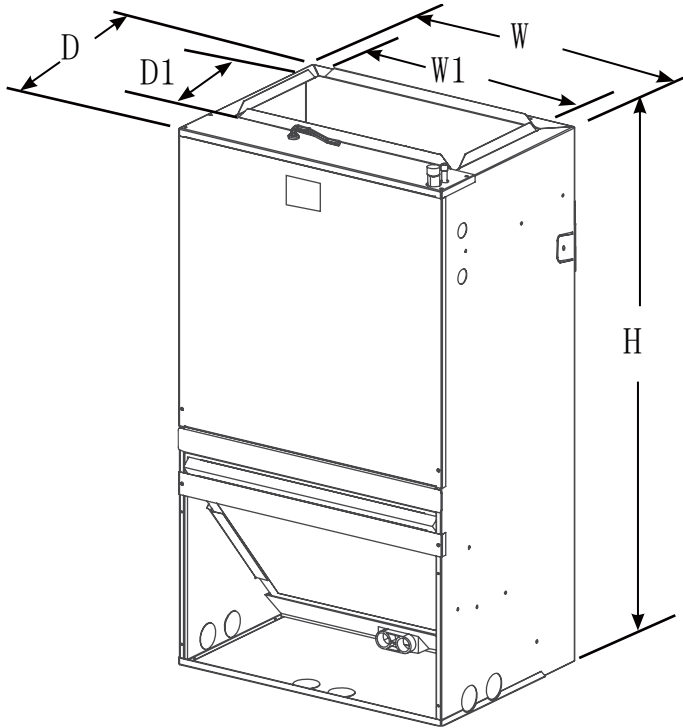
5JMM4A-SUB-1A

TAG: _____

SUBMITTAL

**Wall-Mount
PSC Air
Handler
2 – 3 Ton**

- 5JMM4A0A24S21SA
- 5JMM4A0B30S21SA
- 5JMM4A0B36S31SA



Dimensional and Clearance Data

| MINIMUM UNIT CLEARANCE TABLE | | |
|--|------------------------------------|---------------------------------|
| | TO COMBUSTIBLE MATERIAL (REQUIRED) | SERVICE CLEARANCE (RECOMMENDED) |
| SIDES | 0" | 0" |
| FRONT | 0" | 24" |
| BACK | 0" | 0" |
| INLET DUCT | 0" | 0" |
| OUTLET DUCT | 0** | |
| *0" FOR THE FIRST 3 FT. OF OUTLET DUCT WHEN ELECTRIC HEATERS ARE INSTALLED | | |

| PRODUCT DIMENSIONS inch | | | | | | | | Unit weight/ Shipping Weight LBS |
|-------------------------|-------------|------------|-------------|------------|-------------|--------------|----------------|--|
| Model | Height H | Width W | Width W1 | Depth D | Depth D1 | Flow Control | Gas Line Braze | |
| 5JMM4A0A24S21SA | 36-1/2 | 20-1/2 | 17-2/5 | 15 | 9-1/2 | Orifice | 3/4" | 101/88 |
| 5JMM4A0B30S21SA | 39-1/2 | 22 | 18-3/4 | 19 | 9-1/2 | Orifice | 3/4" | 128/110 |
| 5JMM4A0B36S31SA | 39-1/2 | 22 | 18-3/4 | 19 | 9-1/2 | Orifice | 3/4" | 128/110 |

PRODUCT SPECIFICATIONS

| | | | |
|---------------------------------|---------------------------|---------------------------|---------------------------|
| MODEL | 5JMM4A0A24S21SA | 5JMM4A0B30S21SA | 5JMM4A0B36S31SA |
| RATED VOLTS/PH/HZ. | 208/230V/1Ph/60Hz | 208/230V/1Ph/60Hz | 208/230V/1Ph/60Hz |
| RATINGS | See O.D. Specifications | See O.D. Specifications | See O.D. Specifications |
| MINIMUM CIRCUIT AMPACITY | 1.63 | 2.75 | 2.75 |
| MAX FUSE OR MAX CKT.BKR. | 15A | 15A | 15A |
| INDOOR COIL — Type | Plate Fin | Plate Fin | Plate Fin |
| Rows — F.P.I. | 5-11 | 5-14 | 5-14 |
| Face Area (sq. ft.) | 2.20 | 3.00 | 3.00 |
| Tube Size (in.) | 9/32 | 9/32 | 9/32 |
| Refrigerant Control | Orifice | Orifice | Orifice |
| Drain Conn Size (in.) | 3/4 FPT | 3/4 FPT | 3/4 FPT |
| DUCT CONNECTIONS | See Outline Drawing | See Outline Drawing | See Outline Drawing |
| INDOOR FAN — Type | Centrifugal | Centrifugal | Centrifugal |
| MOTOR— Type | PSC | PSC | PSC |
| Diameter-Width (In.) | 10 - 6 | 10 - 9 | 10 - 9 |
| No. Used | 1 | 1 | 1 |
| Drive - No Speeds | Direct - 3 | Direct - 3 | Direct - 3 |
| CFM vs. in. w.g. | See Fan Performance Table | See Fan Performance Table | See Fan Performance Table |
| No. Motors — H.P. | 1 - 1/5 | 1 - 1/3 | 1 - 1/3 |
| Motor Speed R.P.M. | 1075 | 1075 | 1075 |
| Volts/Ph/Hz | 208/230V/1Ph/60Hz | 208/230V/1Ph/60Hz | 208/230V/1Ph/60Hz |
| F.L. Amps | 1.3 | 2.2 | 2.2 |
| FILTER | | | |
| Filter Furnished? | No | No | No |
| Type Recommended | Throwaway | Throwaway | Throwaway |
| No.-Size-Thickness | 1 - 16x20 - 1 in. | 1 - 16x20 - 1 in. | 1 - 16x20 - 1 in. |
| REFRIGERANT | R454B | R454B | R454B |
| Ref. Line Connections | Brazed | Brazed | Brazed |
| Coupling or Conn. Size-in. GAS | 3/4 | 3/4 | 3/4 |
| Coupling or Conn. Size-in. Liq. | 3/8 | 3/8 | 3/8 |
| DIMENSIONS | | | |
| | W x H x D | W x H x D | W x H x D |
| Crated (In.) | 22-13/16x 41-3/4x 17-3/16 | 24-3/16x 44-7/8x 21-1/4 | 24-3/16x 44-7/8x 21-1/4 |
| Uncrated | 20-1/2x 36-1/2x15 | 22x 39-1/2x19 | 22x 39-1/2x19 |
| RATED SOUND POWER LEVEL(dB) | 65 | 63 | 66 |
| WEIGHT | | | |
| Shipping (Lbs.)/ Net (Lbs.) | 106/93 | 128/110 | 128/110 |

Optional TXV kit part numbers. Some combinations may require a TXV. See AHRI for system combination ratings.

| | |
|------------------------------|----------------|
| Outdoor Unit Capacity (Tons) | R454B TXV Kit |
| 1.5-3.0 | 5AYTXVH3A1836A |

Performance and Electrical Data – 5JMM4A0A24–B36

AIR FLOW PERFORMANCE (Standard CFM)

| Ton | BLOWER SPEEDS | EXTERNAL STATIC PRESSURE (in.w.c.) | | | | | | | | |
|-------|---------------|------------------------------------|------|------|------|------|------|------|-----|-----|
| | | 0 | 0.1 | 0.2 | 0.3 | 0.4 | 0.5 | 0.6 | 0.7 | 0.8 |
| 2 | Low | 665 | 629 | 589 | 547 | 508 | 480 | - | - | - |
| | Med | 831 | 786 | 741 | 696 | 655 | 609 | 559 | 497 | - |
| | High-Factory | 932 | 881 | 833 | 786 | 742 | 689 | 636 | 574 | 515 |
| 2-1/2 | Low | 988 | 948 | 900 | 862 | 816 | 772 | 719 | 642 | 613 |
| | Med-Factory | 1197 | 1152 | 1097 | 1046 | 998 | 940 | 886 | 821 | 737 |
| | High | 1338 | 1284 | 1220 | 1159 | 1096 | 1029 | 960 | 879 | 792 |
| 3 | Low | 1118 | 1072 | 1018 | 971 | 920 | 876 | 819 | 759 | 693 |
| | Med | 1262 | 1213 | 1160 | 1098 | 1049 | 998 | 937 | 871 | 804 |
| | High-Factory | 1360 | 1311 | 1263 | 1229 | 1166 | 1074 | 1005 | 934 | 867 |

NOTES:

1. Shaded boxes represent airflow outside the required 300-450 cfm/ton.
2. Airflow based upon dry coil at 230V with no electric heat, no filter.

5JMM4A0A24S21SA - ELECTRICAL DATA

| Heater Model No | No. of Circuits/ Phases | Electric Heat(kW) | Min. Circuit | | Max. Fuse or Breaker | |
|-----------------|----------------------------|-------------------|--------------|------|----------------------|------|
| | | | Ampacity | | (HACR)Ampacity | |
| | | | 240V | 208V | 240V | 208V |
| 5JAYHTR1J05BK* | 1/1 | 5 | 24.2 | 27.7 | 30 | 30 |
| 5JAYHTR1J08BK* | 1/1 | 7.5 | 35.5 | 40.7 | 50 | 50 |
| 5JAYHTR1J10BK* | 1/1 | 10 | 46.8 | 53.8 | 60 | 60 |

5JMM4A0B30S21SA - ELECTRICAL DATA

| Heater Model No | No. of Circuits/ Phases | Electric Heat(kW) | Min. Circuit | | Max. Fuse or Breaker | |
|-----------------|----------------------------|-------------------|--------------|------|----------------------|------|
| | | | Ampacity | | (HACR)Ampacity | |
| | | | 240V | 208V | 240V | 208V |
| 5JAYHTR1J05BK* | 1/1 | 5 | 25.4 | 28.8 | 30 | 30 |
| 5JAYHTR1J08BK* | 1/1 | 7.5 | 36.7 | 41.9 | 50 | 50 |
| 5JAYHTR1J10BK* | 1/1 | 10 | 47.9 | 54.9 | 60 | 60 |

5JMM4A0B36S31SA - ELECTRICAL DATA

| Heater Model No | No. of Circuits/ Phases | Electric Heat(kW) | Min. Circuit | | Max. Fuse or Breaker | |
|-----------------|----------------------------|-------------------|--------------|------|----------------------|------|
| | | | Ampacity | | (HACR)Ampacity | |
| | | | 240V | 208V | 240V | 208V |
| 5JAYHTR1J05BK* | 1/1 | 5 | 25.4 | 28.8 | 30 | 30 |
| 5JAYHTR1J08BK* | 1/1 | 7.5 | 36.7 | 41.9 | 50 | 50 |
| 5JAYHTR1J10BK* | 1/1 | 10 | 47.9 | 54.9 | 60 | 60 |

Mechanical Specifications

STANDARD FEATURES

- Front or bottom return air
- Painted finish on galvanized steel
- Sturdy polycarbonate drain pans
 - The 5JMM4 wall mount air handler has factory installed drain pan and is shipped for upflow applications only.
- 208/230 - VAC operation
- Multi-speed direct drive blower
 - PSC motor
- Stud or wall mounting tabs
- Fully insulated cabinet
- 3/4" FPT primary and secondary drains
- Factory installed orifice
- **All - aluminum tubes & fins**

OPTIONAL ACCESSORIES

- 5, 7.5 and 10 kW single phase electric heaters
 - Circuit breakers are standard on all single phase 5, 7.5 and 10 kW heaters.
- R-454B TXV kit - 5AYTXVH3A1836A
- Front louver panel 20.5" width - BAYFRTLLOUPNL20 (1-Pack)
- Front louver panel 22" width - BAYFRTLLOUPNL22 (1-Pack)
- Return air / service wall panel - BAYTMMWALLPNL1 (20-Pack)
- Return air / service wall panel - BAYTMMWALLPNLS (1-Pack)

