



RBHK

Parts List
09-December-2016



*This parts list is current as of the above revision date.
See <http://www.rheempartslists.net/92-42800-RBHK.pdf> for the current revision.*

Air Handlers

Table of Contents

Model Explanation	Page 3
Jackets - Doors	Page 4
Center Panels	Page 4
Blower Group	Page 5
Heaters	Page 6
Limits - Sequencers	Page 6
Miscellaneous Electrical	Page 7
Coils	Page 8
Accessories	Page 8
Drawings/Photographs	
Exploded View	Page 9
Door Assembly	Page 9
Electrical Assembly	Page 10
Notes/Disclaimer	Page 11

MODEL NUMBER EXPLANATION

R	B	H	K	-	17	J	11	S	F	B
1	2	3	4		5	6	7	8	9	10

- | | |
|--|---|
| <p>1 TRADEBRAND IDENTIFICATION</p> <p>2 BLOWER UNIT</p> <p>3 TYPE</p> <p>4 DESIGN SERIES/VARIATION</p> <p>5 DASH</p> <p>5 NOMINAL CABINET WIDTH
17 = 17 in. 24 = 24 in.
21 = 21 in. 25 = 25 in.</p> <p>6 ELECTRICAL DESIGNATION
J=208/230V, 1 Phase, 60HZ</p> | <p>7 ELECTRIC HEAT (KW) DESIGNATION
(See Electrical Heat Data for actual kW at 208 Volts.)</p> <p>00 = No Heat 14 = 14.0 kW
06 = 4.9 kW 18 = 17.5 kW
07 = 7.0 kW 21 = 21.0 kW
11 = 10.0 kW</p> <p>8 CONTROL DESIGNATION
N = No Circuit Breakers/Single Sup. Cir.)
S = Circuit Breaker(s)/Single Sup. Cir.)</p> <p>9 AIRFLOW DIRECTION
F = Front Upflow Connection Options
H = Horizontal Left Front Connection Option
U = Side Refrigerant Connection</p> <p>10 COIL DESIGNATION
A = Without Coil/Without Casing
B, C, D, E, F, G, H - See "Coils" Sheet</p> |
|--|---|

SERIAL NUMBER EXPLANATION

T	M	07	01	0	0	0	0	1
1	2	3	4	5				

- 1 SEQUENCE MANUFACTURER**
- 2 PRODUCTION LOCATION**
M = Milledgeville, GA
- 3 WEEK**
- 4 YEAR**
- 5 PRODUCTION NUMBER**

No.	Notes	MODEL CABINET WIDTH	RBHK 17	RBHK 21	RBHK 24	RBHK 25
JACKET, DOORS, FILTER						
1		Jacket	AS-58397-02	AS-58397-03	AS-58397-04	AS-58397-04
2		Blower Shelf-Cover/Top Deck	AS-58389-05	AS-58389-06	AS-58389-07	AS-58389-04
3		Bottom Channel	AE-58381-02	AE-58381-03	AE-58381-04	AE-58381-04
4		Blower Door Panel:				
4A		Solid - No Opening - 17J??N	AE-59440-05	N/A	N/A	N/A
4A		Solid - No Opening - 21J??N	N/A	AE-59441-05	N/A	N/A
4A		Solid - No Opening - 24J??N	N/A	N/A	AE-59442-05	N/A
4A		Solid - No Opening - 25J??N	N/A	N/A	N/A	AE-59442-05
4B		Single Breaker - Small Opening Right Side - 17J??S	AE-59440-06	N/A	N/A	N/A
4B		Single Breaker - Small Opening Right Side - 21J??N	N/A	AE-59441-10	N/A	N/A
4B		Single Breaker - Small Opening Right Side - 24J14S	N/A	N/A	AE-59442-06	N/A
4B		Single Breaker - Small Opening Right Side - 25J11S	N/A	N/A	N/A	AE-59442-06
4D		Double Breaker - Before Middle/Side Opening	N/A	N/A	N/A	N/A
4D		Double Breaker - Before Middle/Side Opening - 24J14S	N/A	N/A	AE-59442-07	N/A
4D		Double Breaker - Before Middle/Side Opening - 25J14S	N/A	N/A	N/A	AE-59442-07
4D		Double-Breaker - Before Middle/Side Opening - 25J21S	N/A	N/A	N/A	AE-59442-07
4E		Triple Single Breaker - Full Opening	N/A	N/A	N/A	N/A
4E		Triple Single Breaker - Full Opening - 24J18S	N/A	N/A	AE-59442-09	N/A
4E		Triple Single Breaker - Full Opening - 25J18S	N/A	N/A	N/A	AE-59442-09
4F		Circuit Breaker Cover	AE-59379-02	AE-59379-02	AE-59379-02	AE-59379-02
		Circuit Breaker Cover Gasket	68-24337-02	68-24337-02	68-24337-02	68-24337-02
6		Filter - Plastic	AE-59375-02	AE-59375-03	AE-59375-04	AE-59375-04

No.	Notes	MODEL CABINET WIDTH	RBHK 17	RBHK 21	RBHK 24	RBHK 25
CENTER PANEL						
12		Center Panel - Select By Model:				
12		RBHK-17??N	AE-58385-02	N/A	N/A	N/A
12		RBHK-17J06S	AE-58385-04	N/A	N/A	N/A
12		RBHK-17J07S	AE-58385-02	N/A	N/A	N/A
12		RBHK-17J11S	AE-58385-04	N/A	N/A	N/A
12		RBHK-21J??N	N/A	AE-58385-07	N/A	N/A
12		RBHK-21J??S	N/A	AE-58385-08	N/A	N/A
12		RBHK-24J??N	N/A	N/A	AE-58385-14	N/A
12		RBHK-24J06S	N/A	N/A	AE-58385-16	N/A
12		RBHK-24J07S	N/A	N/A	AE-58385-16	N/A
12		RBHK-24J11S	N/A	N/A	AE-58385-16	N/A
12		RBHK-24J14S	N/A	N/A	AE-58385-16	N/A
12		RBHK-24J18S	N/A	N/A	AE-58385-21	N/A
12		RBHK-25J??N	N/A	N/A	N/A	AE-58385-24
12		RBHK-25J11S	N/A	N/A	N/A	AE-58385-26
12		RBHK-25J14S	N/A	N/A	N/A	AE-58385-26
12		RBHK-25J18S	N/A	N/A	N/A	AE-58385-27
12		RBHK-25J21S	N/A	N/A	N/A	AE-58385-26

No.	Notes	MODEL CABINET WIDTH	RBHK 17	RBHK 21	RBHK 24	RBHK 25
BLOWER GROUP						
7		Blower Housing:				
7		Electric Heat Designation 00	AS-58391-01	AS-58391-05	AS-58391-10	AS-58391-16
7		Electric Heat Designation 06	AS-58391-23	AS-58391-24	AS-58391-25	N/A
7		Electric Heat Designation 07	AS-58391-03	AS-58391-07	AS-58391-12	N/A
7		Electric Heat Designation 11	AS-58391-04	AS-58391-08	AS-58391-13	AS-58391-19
7		Electric Heat Designation 14	N/A	N/A	AS-58391-14	AS-58391-20
7		Electric Heat Designation 18	N/A	N/A	AS-58391-15	AS-58391-21
7		Electric Heat Designation 21	N/A	N/A	N/A	AS-58391-22
8		Air Straightener	AE-58392-02	AE-58392-02	AE-58392-02	AE-58392-02
9	Stk	Blower Wheel	70-23111-50	70-23111-51	70-23111-43	70-23111-44
		Front Coil Support	AE-58348-08	AE-58348-09	AE-58348-10	AE-58348-10
		Front Coil Support	AE-58348-02	AE-58348-03	AE-58348-04	AE-58348-04
		Front Coil Support	AE-58349-08	AE-58349-09	AE-58349-10	AE-58349-10
		Front Coil Support	AE-58349-02	AE-58349-03	AE-58349-04	AE-58349-04
		Blockoff Plate (2)	AS-59320-01	AS-59320-01	N/A	N/A
10	Stk	ECM Blower Motor	51-24373-02	51-24374-10	51-24374-11	51-24375-08
	Stk	ECM Blower Motor Module	51-24381-92	51-24382-90	51-24382-91	51-24384-88
	Stk	ECM Interface Control Circuit Board	62-24340-02	62-24340-02	62-24340-02	62-24340-02
		ECM Interface Control Bracket	AE-90898-01	AE-90898-01	AE-90898-01	AE-90898-01
		Wiring Harness - 16 pin to 15 pin (12 wires)	45-24258-09	45-24258-09	45-24258-09	45-24258-09
11		Motor Mounting Bracket	70-24104-81	70-24104-81	70-24104-81	70-24104-81
		Wiring Harness - 5 pin to (2 stripped leads, 1 ring terminal)	45-24258-02	45-24258-02	45-24258-02	45-24258-02

No.	Notes	MODEL CABINET WIDTH	RBHK 17	RBHK 21	RBHK 24	RBHK 25
SHEATH HEATERS						
13		Sheath Heater and Bracket:				
13	Stk	Electric Heat Designation 06 (2)	AS-58386-91	AS-58386-91	AS-58386-91	N/A
13	Stk	Electric Heat Designation 07 (2)	AS-58386-92	AS-58386-92	AS-58386-92	N/A
13	Stk	Electric Heat Designation 11 (3)	AS-58386-92	AS-58386-92	AS-58386-92	AS-58386-92
13	Stk	Electric Heat Designation 14 (4)	N/A	AS-58386-92	AS-58386-92	AS-58386-92
13	Stk	Electric Heat Designation 18	N/A	N/A	AS-58386-92 (5)	AS-58386-92 (4)
13	Stk	Electric Heat Designation 21 (5)	N/A	N/A	N/A	AS-58386-92

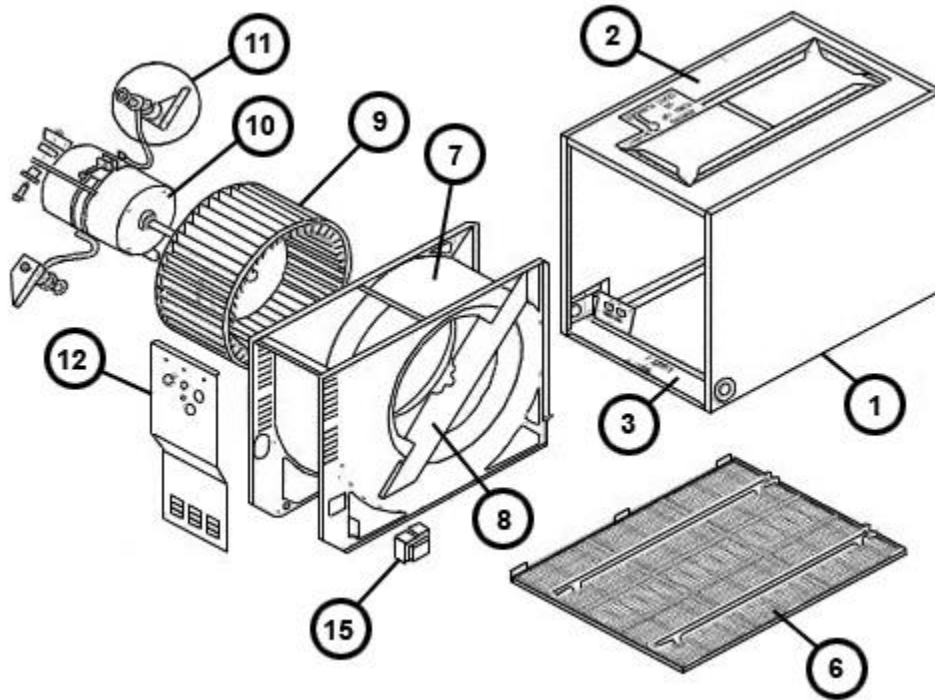
No.	Notes	MODEL CABINET WIDTH	RBHK 17	RBHK 21	RBHK 24	RBHK 25
LIMIT SWITCHES						
16		Limit Switches:				
16		Electric Heat Designation 00	N/A	N/A	N/A	N/A
16	Stk	Electric Heat Designation 06	47-23113-01	47-23113-03	47-23113-01	N/A
16	Stk	Electric Heat Designation 07 - Position 1	47-23113-01	47-23113-03	47-23113-01	N/A
16	Stk	Electric Heat Designation 07 - Position 2	47-23113-02	47-23113-02	47-23113-05	N/A
16	Stk	Electric Heat Designation 11 (Control Designation N) - Position 1	47-23113-01	47-23113-03	47-23113-01	47-23113-01
16	Stk	Electric Heat Designation 11 (Control Designation N) - Position 2	47-23113-02	47-23113-02	47-23113-05	47-23113-05
16	Stk	Electric Heat Designation 11 (Control Designation N) - Position 3	47-23113-02	47-23113-04	N/A	47-23113-02
16	Stk	Electric Heat Designation 11 (Control Designation S) - Position 1	47-23113-01	47-23113-03	47-23113-01	47-23113-01
16	Stk	Electric Heat Designation 11 (Control Designation S) - Position 2	47-23113-02	47-23113-02	47-23113-05	47-23113-05
16	Stk	Electric Heat Designation 11 (Control Designation S) - Position 3	47-23113-02	47-23113-04	47-23113-05	N/A
16	Stk	Electric Heat Designation 14 - Position 1	N/A	47-23113-03	47-23113-01	47-23113-02
16	Stk	Electric Heat Designation 14 - Position 2	N/A	47-23113-02	47-23113-05	47-23113-03
16	Stk	Electric Heat Designation 14 - Position 3	N/A	47-23113-04	47-23113-05	47-23113-04
16	Stk	Electric Heat Designation 14 - Position 4	N/A	47-23113-04	47-23113-04	47-23113-04
16	Stk	Electric Heat Designation 18 - Position 1	N/A	N/A	47-23113-01	47-23113-01
16	Stk	Electric Heat Designation 18 - Position 2	N/A	N/A	47-23113-05	47-23113-05
16	Stk	Electric Heat Designation 18 - Position 3	N/A	N/A	47-23113-05	47-23113-05
16	Stk	Electric Heat Designation 18 - Position 4	N/A	N/A	47-23113-04	47-23113-06
16	Stk	Electric Heat Designation 18 - Position 5	N/A	N/A	47-23113-04	N/A
16	Stk	Electric Heat Designation 21 - Position 1	N/A	N/A	N/A	47-23113-01
16	Stk	Electric Heat Designation 21 - Position 2	N/A	N/A	N/A	47-23113-05
16	Stk	Electric Heat Designation 21 - Position 3	N/A	N/A	N/A	47-23113-05
16	Stk	Electric Heat Designation 21 - Position 4	N/A	N/A	N/A	47-23113-02
16	Stk	Electric Heat Designation 21 - Position 5	N/A	N/A	N/A	47-23113-06

No.	Notes	MODEL CABINET WIDTH	RBHK 17	RBHK 21	RBHK 24	RBHK 25
SEQUENCING RELAYS						
14		Sequencing / Heat Relay:				
14	Stk	Electric Heat Designation 00	N/A	N/A	N/A	N/A
14	Stk	Electric Heat Designation 06N	42-23116-06	42-23116-06	42-23116-08	N/A
14	Stk	Electric Heat Designation 06S	N/A	N/A	42-23116-06	N/A
14	Stk	Electric Heat Designation 07	42-23116-09	42-23116-09	42-23116-09	42-23116-09
14	Stk	Electric Heat Designation 11 - First Position	42-23116-06	42-23116-06	42-23116-06	42-23116-06
14	Stk	Electric Heat Designation 11 - Second Position	42-23116-08	42-23116-08	42-23116-08	42-23116-08
14	Stk	Electric Heat Designation 14 - First Position	N/A	42-23116-06	42-23116-09	42-23116-09
14	Stk	Electric Heat Designation 14 - Second Position	N/A	42-23116-08	42-23116-08	42-23116-08
14	Stk	Electric Heat Designation 18 - First Position	N/A	N/A	42-23116-09	42-23116-09
14	Stk	Electric Heat Designation 18 - Second Position	N/A	N/A	42-23116-09	42-23116-09
14	Stk	Electric Heat Designation 21 - First Position	N/A	N/A	N/A	42-23116-09
14	Stk	Electric Heat Designation 21 - Second Position	N/A	N/A	N/A	42-23116-09
15	Stk	Transformer	46-23115-02	46-23115-02	46-23115-02	46-23115-02

No.	Notes	MODEL CABINET WIDTH	RBHK 17	RBHK 21	RBHK 24	RBHK 25
MISCELLANEOUS ELECTRICAL						
17		Circuit Breaker:				
17		Electric Heat Designation 00	N/A	N/A	N/A	N/A
17		Electric Heat Designation 06	42-23201-01	42-23201-01	42-23201-01	N/A
17		Electric Heat Designation 07	42-23201-01	42-23201-01	42-23201-01	42-23201-01
17		Electric Heat Designation 11	42-23201-01	42-23201-01	42-23201-01	42-23201-01
17		Electric Heat Designation 14 (2)	N/A	42-23201-01	42-23201-01	42-23201-01
17		Electric Heat Designation 18 (2)	N/A	N/A	42-23201-01	42-23201-01
17		Electric Heat Designation 21 (2)	N/A	N/A	N/A	42-23201-01
		Finger Stop Voltage:				
		Electric Heat Designation 00	N/A	N/A	N/A	N/A
		Electric Heat Designation 06S	45-23203-01 (2)	45-23203-01 (1)	45-23203-01 (2)	N/A
		Electric Heat Designation 07S	45-23203-01 (2)	45-23203-01 (1)	45-23203-01 (2)	N/A
		Electric Heat Designation 11S	45-23203-01 (2)	45-23203-01 (3)	45-23203-01 (3)	45-23203-01 (2)
		Jumper Bar (4 pole):				
		Electric Heat Designation 14 (1)	N/A	45-23202-01	45-23202-01	45-23202-01
		Electric Heat Designation 18 (1)	N/A	N/A	45-23202-01	45-23202-01
18		Watt Restrictors For Heat Pump Addition:				
		Electric Heat Designation 07N	47-23117-01	N/A	N/A	N/A
		Electric Heat Designation 07S	47-23117-01	N/A	N/A	N/A
		Electric Heat Designation 11N	47-23117-01	N/A	N/A	N/A
		Electric Heat Designation 11S	47-23117-01	N/A	N/A	N/A
		Electric Heat Designation 14S	N/A	47-23117-01	47-23117-02	47-23117-02
		Electric Heat Designation 18S	N/A	N/A	47-23117-02	47-23117-02
		Electric Heat Designation 21S	N/A	N/A	N/A	47-23117-02
19	Stk	Defrost Sensor	47-23118-01	47-23118-01	47-23118-01	47-23118-01
TERMINAL BLOCK						
No.	Notes	MODEL CABINET WIDTH	RBHK 17	RBHK 21	RBHK 24	RBHK 25
Note: Terminal Block: Not applicable to models with control designation S						
		RBHK-17J00N	45-23222-01	N/A	N/A	N/A
		RBHK-17J06N	45-23222-01	N/A	N/A	N/A
		RBHK-17J07N	45-23222-02	N/A	N/A	N/A
		RBHK-17J11N	45-23222-02	N/A	N/A	N/A
		RBHK-21J00N	N/A	45-23222-01	N/A	N/A
		RBHK-21J06N	N/A	45-23222-01	N/A	N/A
		RBHK-21J07N	N/A	45-23222-02	N/A	N/A
		RBHK-21J11N	N/A	45-23222-02	N/A	N/A
		RBHK-24J00N	N/A	N/A	45-23222-01	N/A
		RBHK-24J06N	N/A	N/A	45-23222-01	N/A
		RBHK-24J07N	N/A	N/A	45-23222-02	N/A
		RBHK-24J11N	N/A	N/A	45-23222-02	N/A
		RBHK-25J00N	N/A	N/A	N/A	45-23222-01
		RBHK-25J11N	N/A	N/A	N/A	45-23222-02

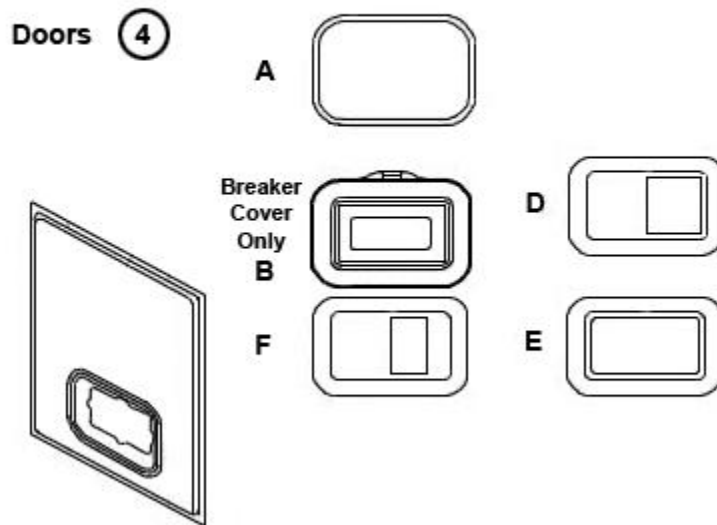
No.	Notes	MODEL CABINET WIDTH	Air Flow Connection	RBHK 17	RBHK 21	RBHK 24	RBHK 25
COILS							
		Coil Designation A	F / H	N/A	N/A	N/A	N/A
		Coil Designation B	F H	RCGJ-24A1GG17 RCGJ-24A1GH17	RCGJ-36A1GG21 RCGJ-36A1GH21	RCGJ-48A1GG24 RCGJ-48A1GH24	N/A N/A
		Coil Designation C	F H	RCGJ-24A2GG17 RCGJ-24A2GH17	RCGJ-36A2GG21 RCGJ-36A2GH21	RCGJ-60A1GG24 RCGJ-60A1GH24	RCGJ-60A1GG24 RCGJ-60A1GH24
		Coil Designation D	F H	RCHJ-24A1GG17 RCHJ-24A1GH17	RCHJ-36A1GG21 RCHJ-36A1GH21	RCHJ-48A1GG24 RCHJ-48A1GH24	N/A N/A
		Coil Designation E	F H	RCHJ-24A2GG17 RCHJ-24A2GH17	RCHJ-36A2GG21 RCHJ-36A2GH21	N/A N/A	RCHJ-60A1GG24 RCHJ-60A1GH24
		Coil Designation F	F H	RCHA-24A1GG17 RCHA-24A1GH17	RCHA-36A1GG21 RCHA-36A1GH21	RCHA-48A1GG24 RCHA-48A1GH24	N/A N/A
		Coil Designation G	F H	RCHA-24A2GG17 RCHA-24A2GH17	RCHA-36A2GG21 RCHA-36A2GH21	RCHA-48A2GG24 RCHA-48A2GH24	N/A N/A
		Coil Designation H	F H	N/A N/A	N/A N/A	N/A N/A	RCHA-60A1GG24 RCHA-60A1GH24
		Coil Designation E	U	N/A	N/A	RCHJ-51A1AS24	N/A
		Coil Designation Y	U	N/A	N/A	N/A	RCHJ-61A1AS24
		Coil Designation Z	U	N/A	N/A	N/A	RCGJ-61A1AS24
		Coil Designation 1	F H	RCHL-24A2GG17 RCHL-24A2GH17	N/A	N/A	N/A
		Coil Designation 2	F H	N/A	RCHL-36A1GG21 RCHL-36A1GH21	N/A N/A	N/A N/A
		Coil Designation 3	F H	N/A	RCHL-36A2GG21 RCHL-36A2GH21	N/A N/A	N/A N/A
		Coil Designation 4	F H	N/A	N/A	RCHL-48A1GG24 RCHL-48A1GH24	N/A N/A
		Coil Designation 5	F H	N/A	N/A	RCHL-48A2GG24 RCHL-48A2GH24	N/A N/A
		Coil Designation 6	U	N/A	N/A	RCHL-51A1AS24	N/A
		Coil Designation 7	F H	N/A	N/A	N/A	RCHL-60A1GG24 RCHL-60A1GH24
		Coil Designation 8	U	N/A	N/A	N/A	RCHL-61A1AS24

No.	Notes	MODEL CABINET WIDTH		RBHK 17	RBHK 21	RBHK 24	RBHK 25
ACCESSORIES, DOOR KITS							
		Replacement Filters		54-23217-02	54-23217-03	54-23217-04	54-23217-04
		Jumper Bar Kit, 3 Ckt to 1Ckt - See Spec Sheet for explanation		RXBJ-A31	RXBJ-A31	RXBJ-A31	RXBJ-A31
		Horizontal Drain Pan:					
		Drain toward the Bottom		RXBD-CA	RXBD-CA	RXBD-CA	RXBD-CA
		Drain toward the Bottom - bulk pack		RXBD-CAx50	RXBD-CAx50	RXBD-CAx50	RXBD-CAx50
		Drain toward the Front		RXBD-CB	RXBD-CB	RXBD-CB	RXBD-CB
		Drain toward the Front - bulk pack		RXBD-CBx50	RXBD-CBx50	RXBD-CBx50	RXBD-CBx50
		Auxiliary horizontal drain pan - 6 pack		RXBM-AA06	RXBM-AA06	RXBM-AA06	RXBM-AA06
		Replacement Door Kit - Air Handler		RXCD-A17A	RXCD-A21A	RXCD-A24A	RXCD-A24A
		Replacement Door Kit - Cased Coil Box		RXCD-G17A	RXCD-G21A	RXCD-G24A	RXCD-G24A

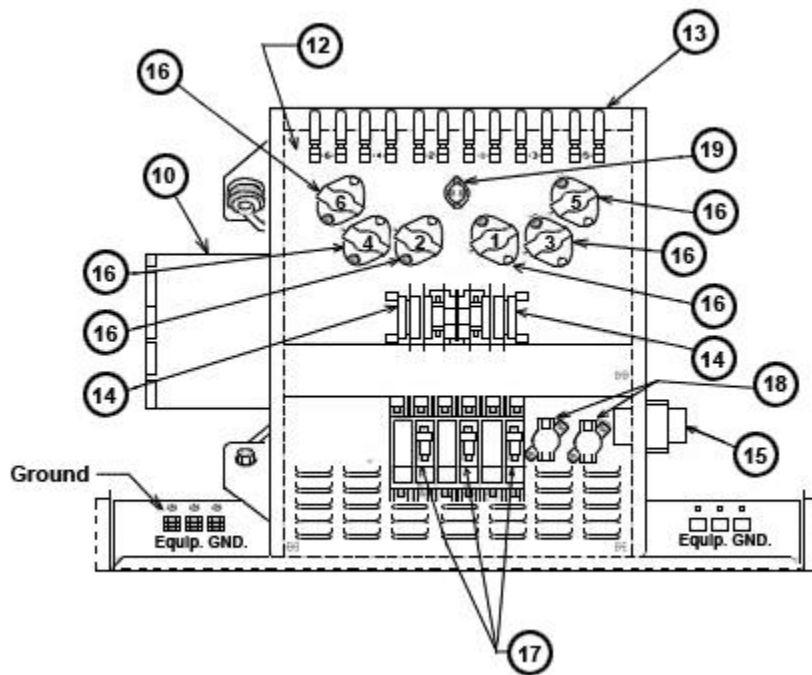


Exploded View

Air Handler Cabinet Doors



Door Assembly



Electrical Assembly

NOTES

Stk It is recommended that stock be maintained for this part.
N/A Not Applicable

DISCLAIMER: This document is intended to provide general replacement parts information to aid qualified service personnel in the repair of these models. The complete Model and Serial Number of the unit under repair should be specified when selecting and ordering replacement parts. Specifications and illustrations are subject to change without notice. Document 92-42800-RBHK supersedes all previous parts lists for these models. See <http://www.rheempartslists.net/92-42800-RBHK> for the latest revision of this document. The manufacturer assumes no obligation for errors or omissions. Service personnel must verify the proper and safe operation of equipment after the replacement of any original components.