

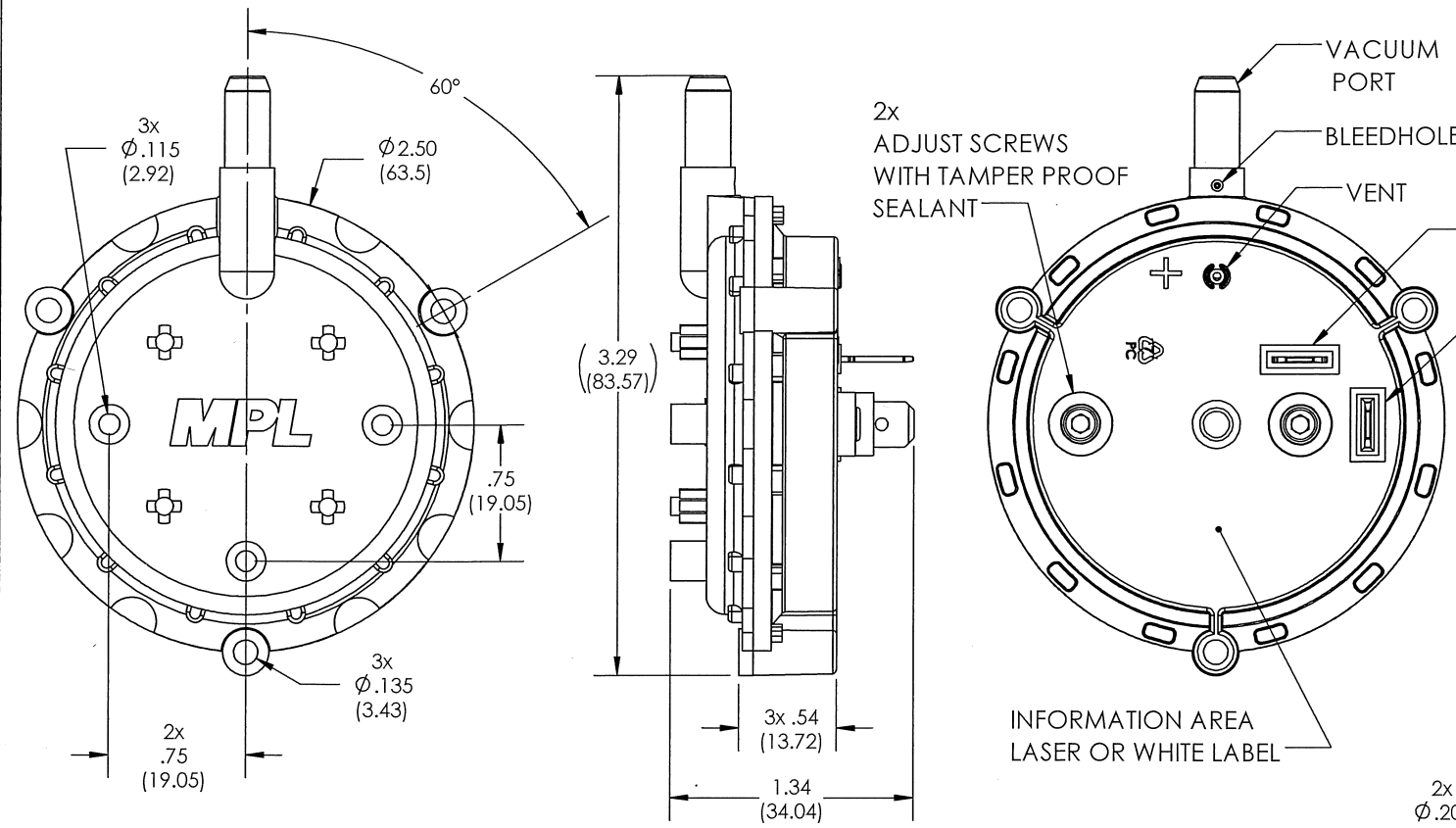
STANDARD SPECIFICATIONS

Mechanical		
Body	Glass Filled Polycarbonate	
Diaphragm	Post Cured Silicone	
Terminals	Copper Alloy (Brass)	
Contacts	Silver	
Actuator	Beryllium Copper (BECU)	
Springs	Stainless Steel (SS), BECU	
Port Outside ϕ	.250 (6.35)	
Bleed Hole ϕ	.016 (0.41)	
Functional		
Operating Position	Diaphragm Vertical	
Operating Temperature	-40°F to 185°F (-40°C to 85°C)	
Proof Pressure	2 PSIG (13.8 kPa) Max	
Burst Pressure	3 PSIG (20.7 kPa) Max	
Electrical Life	200k+ Cycles	
Mechanical Life	1 Million Cycles	
Set Points		
In H ₂ O (Pa) @ ambient	Tolerance	Hysteresis
0.10 (25) Deact or 0.20 (50) Act to 1.00 (250)	±0.05 (12)	0.04 (10) to 0.14 (35)
1.01 (251) to 1.50 (375)	±0.07 (17)	0.04 (10) to 0.20 (50)
Electrical		
Initial Resistance	<60 milliohms	
Minimum Load	15 mA, 24 VAC	
Ratings	2 Amp Resistive @ 125 - 277 VAC	
PILOT DUTY	28VA @ 24 VAC 125VA @ 125 VAC	
Agency		
UL & cUL File #	MH16997	

Set points higher than 1.5 (375) require model 9370 or 9371

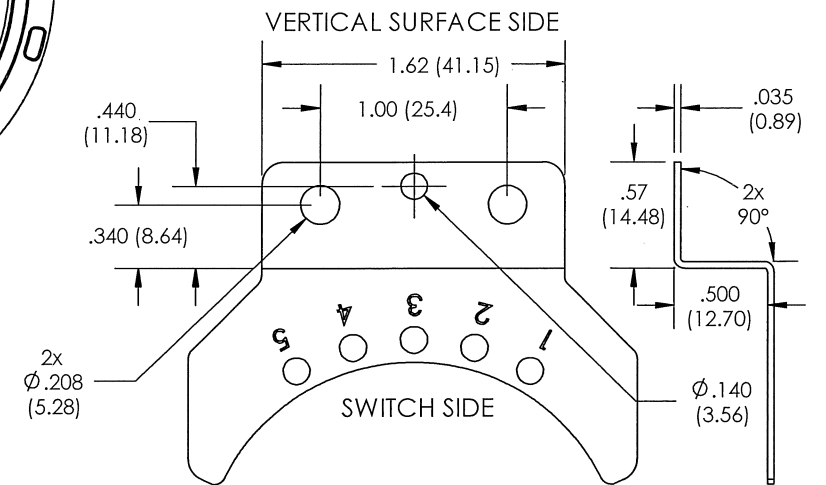
9375 SERIES SWITCHES

VACUUM STYLE



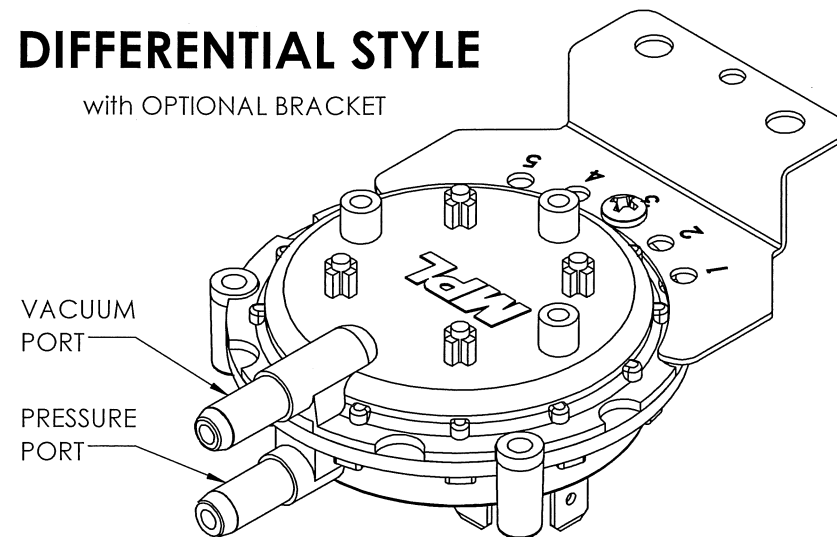
TERMINAL SIZES	.250 x .032 (6.35 x .83) .188 x .032 (4.78 x .83) .188 x .020 (4.78 x .51) Mix or Match
TERMINAL FORM	Normally Open (SPNO) Only
FLOW RESTRICTORS	.021 (0.53) .035 (0.89)

15-0089-V-83 MOUNTING BRACKET



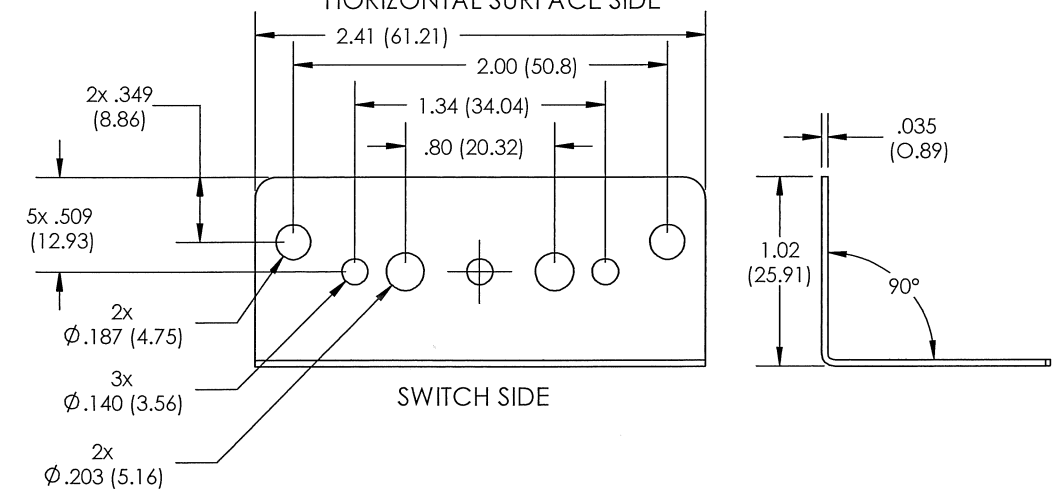
DIFFERENTIAL STYLE

with OPTIONAL BRACKET



15-0090-V-83 MOUNTING BRACKET

HORIZONTAL SURFACE SIDE



eMail Inquiries to sales@mic-tec.com

VISIT OUR WEBSITE
www.mic-tec.com

MicroTechnologies SA LLC
2901 Gateway Drive
Pompano Beach FL 33069 USA
Telephone: 954.973.6166

DIMENSIONS:
UNITS ARE IN INCHES (MM)

TOLERANCES UNLESS
OTHERWISE SPECIFIED:

.X= ---
.XX= ±.03 (0.76)
.XXX= ±.015 (0.38)
.XXXX= ---

ANGLES ± 2° SCALE: 1:1

INITIAL APPROVAL	DATE	REV	DATE	BY	CHK
DRWN A.Rodriguez	11/13/15				
ENGR <i>[Signature]</i>	11/19/15				
SALES <i>[Signature]</i>	11/24/15				
QUAL <i>[Signature]</i>					
CAD FILE:	9375_S1.slddrw	RELEASED:	NOV 24 2015		



www.mic-tec.com

DOCUMENT NUMBER

9375

REV

S1

THIS DOCUMENT CONTAINS TRADE SECRET INFORMATION THAT IS PROPRIETARY TO MICRO PNEUMATIC LOGIC, INC. AND/OR TO OUR CUSTOMER. USE OF THIS INFORMATION OR THIS DOCUMENT BEYOND THE PREMISES OF MICRO PNEUMATIC LOGIC INC. IS UNLAWFUL AND PROHIBITED WITHOUT PRIOR WRITTEN AUTHORIZATION.

PRINTED COPIES UNCONTROLLED

1 of 1