

Job Name \_\_\_\_\_  
 Purchaser \_\_\_\_\_  
 Submitted to \_\_\_\_\_  
 Unit Designation \_\_\_\_\_

Location \_\_\_\_\_  
 Engineer \_\_\_\_\_  
 Reference \_\_\_\_\_ Approval \_\_\_\_\_ Construction \_\_\_\_\_  
 Schedule # \_\_\_\_\_

**Specifications**

Performance <sup>1</sup>	Nominal Capacity	Cooling (Btu/h)	7,500
		Heating (Btu/h)	8,700
Power	Voltage (ø/V/Hz)		1 / 208-230 / 60
	Nominal Running Current (A)		0.17
	MCA		0.24
	MOP		15
Fan	Type		Turbo (1)
	Motor	Type	BLDC
		Output (W)	65
Airflow	CFM (UL)	H/M/L	318 / 272 / 230
Refrigerant	Type		R410A
	Control Method		Electronic Expansion Valve
Piping Connections	Liquid (flare)	Inches	1/4
	Suction (flare)	Inches	1/2
	Drain	Inches	VP25 (OD 1 1/4, ID 1)
Unit Dimensions	W X H X D	Inches	22 5/8 X 9 13/16 X 22 5/8
	Weight	lbs.	26.46
Fascia Panel (required) <sup>2</sup>	Model Number (Wind-Free™)		PC4SUFMUN
	L X W X H	Inches	24 3/8 X 24 3/8 X 2 1/4
	Weight	lbs.	5.95
	Model Number (Standard)		PC4SUSMUN
	L X W X H	Inches	24 3/8 X 24 3/8 X 2 3/16
	Weight	lbs.	5.07
Sound Level	H / M / L	dB(A)	32 / 29 / 25
Accessories	Fascia Panel (Wind-Free™)		PC4SUFMUN
	Fascia Panel (Standard)		PC4SUSMUN
	External Contact Control		MIM-B14
	Motion Occupancy Sensor		MCR-SMD
	External Temperature Sensor		MRW-TA
	Wireless Remote Controller		AR-EH03U
	CN83 Pigtail (for 12VDC VENT output)		DB39-01263A
	MTFC - Multi-Tenant Function Controller		MCM-C210N
Safety Certifications		ETL (UL 1995)	



- Compatible with Samsung DVM S, DVM S Water, and DVM Eco systems (AM\*\*\*\*\*AA).
- Electro-static, washable, pleated filters as standard (included with fascia panel)
- Built in condensate pump with maximum 29" lift from the bottom of the unit, check valve, and float switch that disables indoor unit during overflow detection
- Knock-out for outside air capability
- Fascia panel shall have LED indicator lights and 4 motorized louvers with independent control (32° - 65° louver control range)
- High-voltage terminal block temperature sensor to disable unit in the event overheating of power connection.
- Wind-Free™ function will close the supply air outlet louver while in cooling mode to gently disperse cool air into the space without blowing directly onto occupants. The Wind-Free™ feature is optional and can be enabled using central or local control options (MWR-SH11UN, MWR-WE13N, MWR-WE13UN, AR-EH03U only).
- The Wind-Free™ Mini 4-way cassette can be configured for 2-stage operation, cooling the space with the louver open (fixed or swing) until the room temperature nears set temperature. Once room temperature is near set temperature, Wind-Free™ operation will start automatically, closing the louver and using the face of the fascia panel to gently cool the space with still air\*.
- The Wind-Free™ panel (PC4SUFMUN) has an integral humidity sensor that will open the louvers for standard cool mode when space conditions could potentially cause condensation formation on the panel surface.

**Construction**

Insulated, HIPS chassis with a galvanized steel frame and fascia panel certified to UL94 V0.

**Heat Exchanger**

The heat exchanger shall be mechanically bonded fin to copper tube

**Indoor Fan**

Indoor fan is a single turbo type

Three fan speed settings and auto setting

**Controls**

The unit shall be operated via a wireless or wired remote control with DDC type signal

The unit shall integrate with the Samsung NASA Controls Network Solution

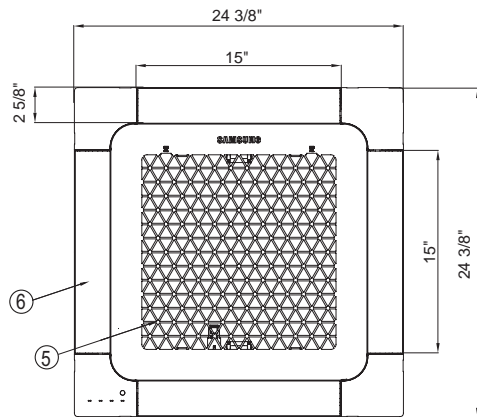
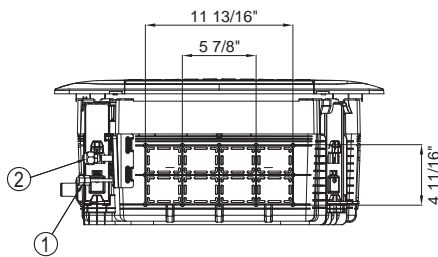
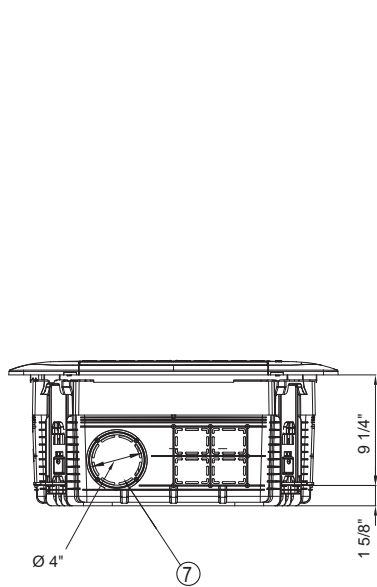
Control wiring shall be 2 X 16 AWG shielded wire

Samsung HVAC maintains a policy of ongoing development, specifications are subject to change without notice.

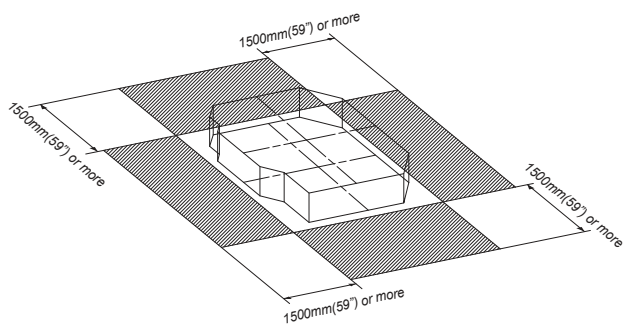
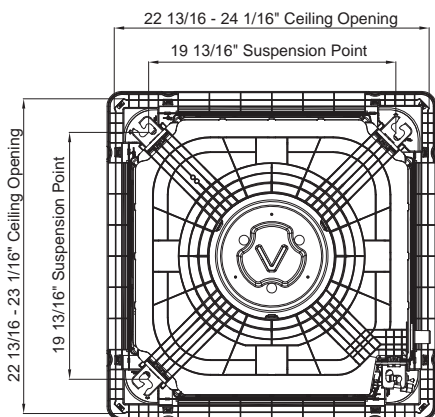
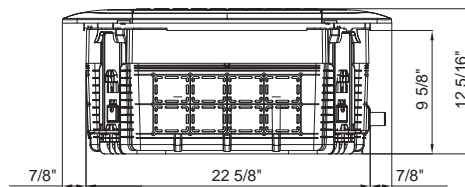
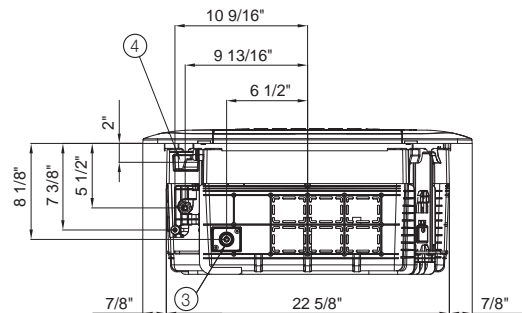
<sup>1</sup> Nominal cooling capacities are based on: Indoor temperature: 80 °F DB, 67°F WB. Outdoor temperature: 95°F DB, 75°F WB. Nominal heating capacities are based on: Indoor temperature: 70 °F DB, 60°F WB. Outdoor temperature: 47°F DB, 43°F WB.

<sup>2</sup> A fascia panel is required for unit operation and is sold separately. PC4SUFMUN is required to use Wind-Free™ functions.

\*The Wind-Free™ unit delivers an air current that is under 0.15 m/s while in Wind Free mode. Air velocity that is below 0.15 m/s is considered "still air" as defined by ASHRAE (American Society of Heating, Refrigerating, and Air-Conditioning Engineers).



PC4SUFMUN Panel (ordered separately)



Proper clearance must be maintained around unit for proper operation.

No.	Name	Description
①	Liquid Pipe Connection	Ø 1/4" Flare
②	Gas Pipe Connection	Ø 1/2" Flare
③	Drain Pipe Connection	OD 1 1/4", ID 1"
④	Conduit for Power & Communication Wiring	-
⑤	Air Inlet Grille	-
⑥	Air Outlet Louver	-
⑦	Fresh Air Intake	Ø 4"