

Job Name _____
 Purchaser _____
 Submitted to _____
 Unit Designation _____

Location _____
 Engineer _____
 Reference _____ Approval _____ Construction _____
 Schedule # _____

Specifications

Performance	Nominal Capacity	Cooling (Btu/h)	18,000 (13,600 SH)
		Heating (Btu/h)	20,000
	Condensate	Pints/Hour	4.7
Power	Voltage (ø/V/Hz)	1 / 208-230 / 60	
	Nominal Running Current (A)	0.27	
Fan	Type	Turbo (1)	
	Motor	Type	Non Feedback SSR
		Output (W)	65
Airflow	CFM (UL)	H/M/L	459 / 388 / 336
Refrigerant	Type	R410A	
	Control Method	Electronic Expansion Valve	
Piping Connections	Liquid (flare)	Inches	1/4
	Suction (flare)	Inches	1/2
	Drain	Inches	VP20 (OD 1, ID 3/4)
Unit Dimensions	W X H X D	Inches	22 5/8 X 9 7/8 X 22 5/8
	Weight	lbs.	26.5
Fascia Panel (required)	Model Number	PC4SUSMFN	
	L X W X H	Inches	24 3/8 X 24 3/8 X 2 3/16
	Weight	lbs.	5.07
Sound Level	H / M / L	dB(A)	39 / 36 / 32
Accessories	Fascia Panel	PC4SUSMFN	
	External Contact Control	MIM-B14	
	Motion Occupancy Sensor	MCR-SMA	
	External Temperature Sensor	MRW-TA	
	Wireless Remote Controller	MR-EH00U	
	CN83 Pigtail (for 12VDC VENT output)	DB39-01263A	
Safety Certifications	ETL (UL 1995)		



- Compatible with Samsung DVM S, DVM S Water, and DVM Eco systems (AM*****/AA).
- Electro-static, washable, pleated filters as standard (included with fascia panel)
- Built in condensate pump with maximum 29" lift, check valve, and float switch that disables the indoor unit during overflow detection.
- Knock-out for outside air capability
- Fascia panel shall have LED indicator lights and 4 motorized louvers with independent control (32° - 65° louver control range)
- High-voltage terminal block temperature sensor to disable unit in the event overheating of power connection.

Construction

Insulated, HIPS chassis with a galvanized steel frame and fascia panel certified to UL94 V0.

Heat Exchanger

The heat exchanger shall be mechanically bonded fin to copper tube

Indoor Fan

Indoor fan is a single turbo type

Three fan speed settings and auto setting

Controls

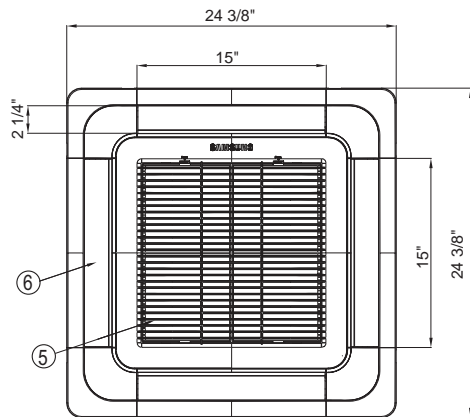
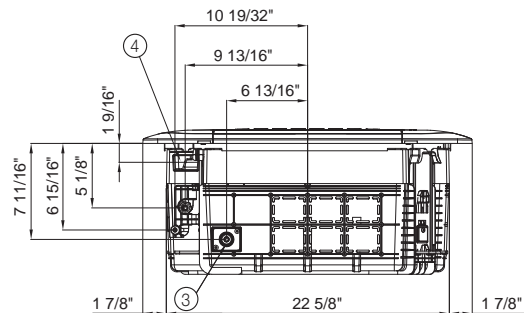
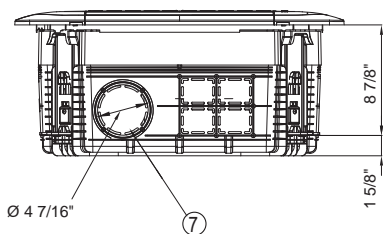
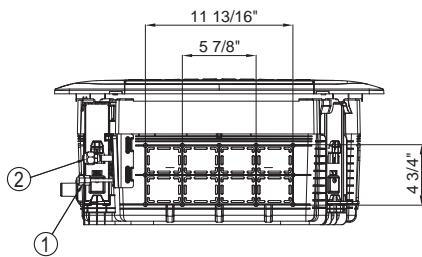
The unit shall be operated via a wireless or wired remote control with DDC type signal

The unit shall integrate with the Samsung NASA Controls Network Solution

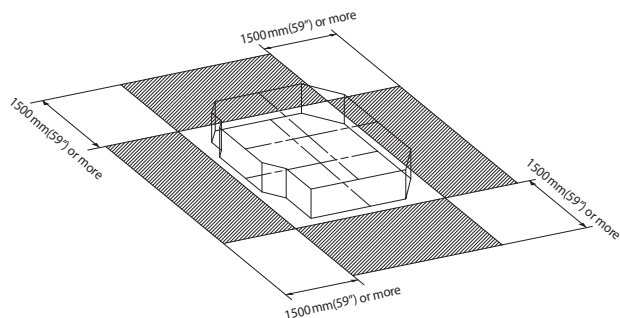
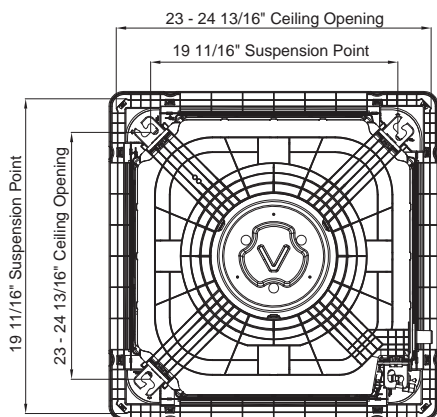
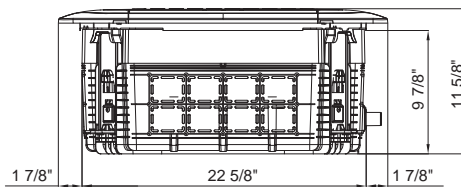
Controls shall integrate with a BMS system

Control wiring shall be 2 X 16 AWG shielded wire

¹ Nominal cooling capacities are based on: Indoor temperature: 80 °F DB, 67°F WB. Outdoor temperature: 95°F DB, 75°F WB. Nominal heating capacities are based on: Indoor temperature: 70 °F DB, 60°F WB. Outdoor temperature: 47°F DB, 43°F WB. Samsung HVAC maintains a policy of ongoing development, specifications are subject to change without notice.



PC4SUSMFN Panel (ordered separately)



Proper clearance must be maintained around unit for proper operation.

No.	Name	Description
①	Liquid Pipe Connection	Ø 1/4" Flare
②	Gas Pipe Connection	Ø 1/2" Flare
③	Drain Pipe Connection	Quick Lock, OD 1 1/4", ID 1"
④	Conduit for Power & Communication Wiring	-
⑤	Air Inlet Grille	-
⑥	Air Outlet Louver	-
⑦	Fresh Air Intake	Ø 4 7/16"