

TAG: _____

SPECIFICATION

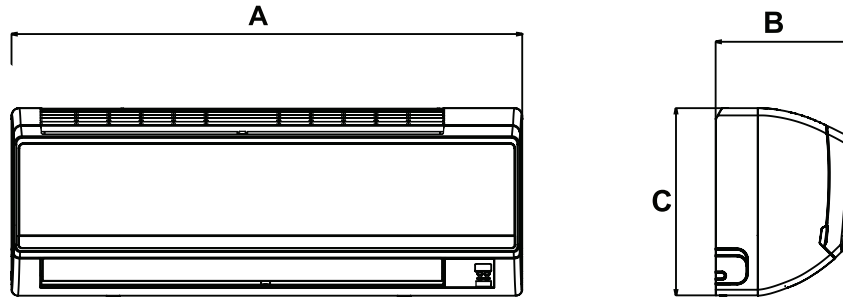
R-410A Split System 16 SEER, Inverter Systems - 60 Hz 4MYW6524A1 / 4TYK6524A1

Specifications

MODEL - Cooling Only	4MYW6524A10NOBA / 4TYK6524A10NOBA
RATED Volts/PH	208 / 230 / 1
Frequency (Hz)	60Hz
Rated Cooling Capacity (Btu/h):	22000
Minimum Cooling Capacity (@95F) (Btu/h):	6400
Maximum Cooling Capacity (@95F) (Btu/h):	24000
Total Capacity (W) (High/Standard/Low):	7032 / 6446 / 1875
Rated Power Input (W)	2200
Nominal Input Current (A)	10.0
SEER	16.0
Air Flow Volume (CFM) (H/M/L)	590 / 440 / 300 / 200
Dehumidifying Volume (pt./h)	3.85
EER (@95F)	10.0
Indoor Unit	
	4MYW6524A10NOBA
Fan Motor Speed (r/min) (SH/H/M/L)	1450 / 1180 / 1000 / 850
Fan Motor RLA(A)	0.45
Evaporator	Aluminum Fin-copper Tube
Pipe Diameter (inch)	0.276
Row Fin Gap (inch)	2 - 0.059
Coil length (L) x height (H) x coil width (W) (inch)	30.1 x 13.5 x 1.0
Output of Swing Motor (W)	3.0
Fuse (A)	3.15
Sound Power Level dB (A)(SH/H/M/L)	59 / 53 / 49 / 44
Sound PRESSURE Level dB (A)(SH/H/M/L) ①	49 / 43 / 39 / 34
Uncrated Dimension (W/D/H) (inch)	39.7 x 8.7 x 12.4
Crated Dimension of Package (W/D/H) (inch)	42.4 x 12.9 x 15.7
Net Weight /Gross Weight (lbs)	33.0 / 44.0
Outdoor Unit	
	4TYK6524A10NOBA
Compressor Type	Rotary
L.R.A. (A)	41
Compressor RLA(A)	11.38
Compressor Power Input(W)	1630
Throttling Method	Capillary
Working Temp Range (oF)	-0 ~ 110
Condenser	Aluminum Fin-copper Tube
Pipe Diameter (inch)	0.276
Row Fin Gap (inch)	2 - 0.055
Coil length (l) x height (H) x coil width (L) (inch)	33.6 x 26.0 x 1.5
Fan Motor Speed (rpm)	690
Output of Fan Motor (W)	60
Fan Motor RLA (A)	0.62
Air Flow Volume of Outdoor Unit (CFM)	1887
Fan Diameter (inch)	20.5
Defrosting Method	Automatic Defrosting
Sound Power Level dB (A)	66
Sound PRESSURE Level dB (A) ①	56
Uncrated Dimension (W/L/H) (inch)	37.6 x 15.6 x 27.8
Crated Dimension of Package (W/L/H) (inch)	40.5 x 18.0 x 29.5
Net Weight /Gross Weight (lbs)	114.5 / 125.5
Refrigerant Charge (oz)	54.67
MCA	16.0
MOP	25.0
Connection Pipe	
Gas additional charge(oz/ft)	0.2
Outer Diameter Liquid Pipe (inch)	1/4
Outer Diameter Gas Pipe (inch)	1/2
Max Height Distance (ft)	65
Max Length Distance (ft)	130

① Sound PRESSURE Level @ 3.3 ft. dB(A)

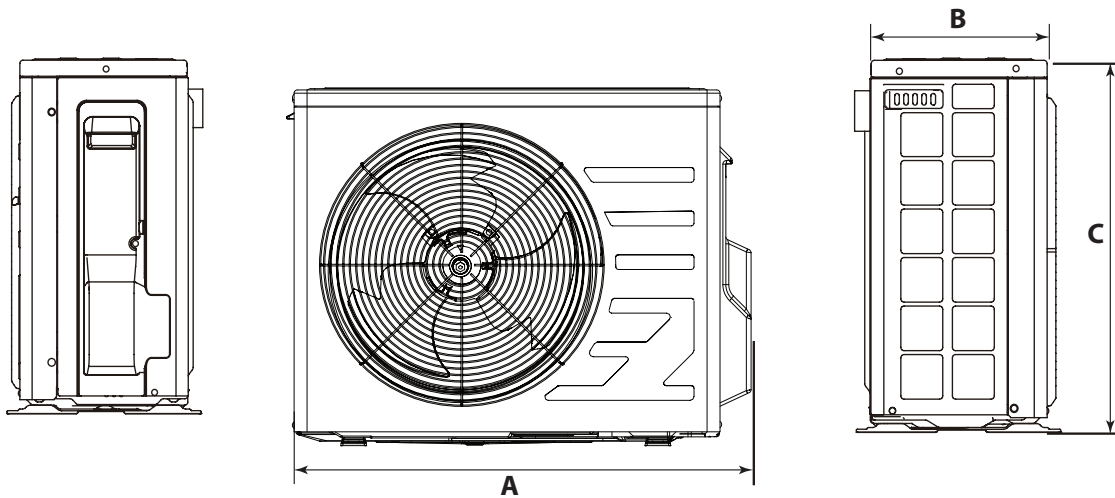
Indoor Unit



Indoor Unit Dimensions

Unit	W (width)	D (depth)	H (height)
4MYW6524A1	(A) 39.7"	(B) 8.7"	(C) 12.4"

Outdoor Unit



Outdoor Unit Dimensions

Unit	W (width)	D (depth)	H (height)
4TYK6524A1	(A) 37.6"	(B) 15.6"	(C) 27.8"

Mechanical Specifications

Mini-Split Outdoor Unit

General

This unit is fully charged from the factory for up to 25 feet of piping. This unit is designed to operate at outdoor ambient temperatures as high as 110°F. Cooling capacities with the mini-split air handler shown in the catalog are AHRI certified. The unit is ETL listed for outdoor application.

Unit Casing

The unit casing is constructed of heavy gauge, galvanized steel and painted with a weather-resistant powder paint.

Refrigerant Controls

Refrigeration system controls include condenser fan and compressor relay. High and low pressure controls are inherent to the compressor. A suction line multi function service valve is standard

Compressor

The compressor features internal over temperature and pressure protection; total dipped hermetic motor windings. Other features include: centrifugal oil pump and low vibration and noise.

Condenser Coil

The coil shall consist of aluminum finned coils brazed to copper tubing. The coil provides air flow resistance and efficient heat transfer. The coil is protected by the casing.

Low Ambient Cooling

Matched American Standard ductless products, have a cooling capability to 0° F.

Mini-Split Indoor High Wall

General

The High Wall mounted type air handler shall be completely factory assembled including coil, condensate drain pan, fan motor, washable filter, air purifying filter and electric controls to be used with a wireless remote controller. Unit shall be shipped with a unit mounting plate. Unit shall be matched with an American Standard outdoor unit, rated and tested in accordance with AHRI standard. Unit shall be ETL listed.

Unit Casing

Casing shall be provided with knockouts on the right, and left of the unit to facilitate piping and electrical connection on either side of the unit. An electrical service cover shall be provided to permit easy access to the electrical terminal strip.

Discharge airflow and Distribution System

Unit shall have auto swing, dual horizontal blades to optimize the aperture outlet for vertical airflow and air distribution. Blade shall close automatically when the air conditioner is turned off to minimize dust entering the unit. Five-Step preset program on the remote controller shall be available to control the blade angle.

Manually adjusted wide-angle louvers shall be provided to adjust the coverage and direction of airflow.

Controls

Units shall have the capability to be controlled remotely.

Remote Controller

The unit shall have a wireless infrared remote controller with easy reading digital display panel to start, stop and regulate the air conditioner from a distance.

The wireless controller is available for all units. **(Sold separately)**

Healthy Filters

The unit shall have one combined active carbon and catechin filter with the unit. The filter needs to be cleaned at least once a year.

American Standard
HEATING & AIR CONDITIONING



09/13

American Standard
Heating & Air Conditioning
6200 Troup Highway
Tyler, TX 75707
www.americanstandardair.com

American Standard Heating & Air Conditioning has a policy of continuous product and product data improvement and it reserves the right to change design and specifications without notice.