

Samsung "Smart Whisper", wall mounted evaporator, split system

Job Name _____
 Purchaser _____
 Submitted to _____
 Unit Designation _____

Location _____
 Engineer _____
 Reference _____ Approval _____ Construction _____
 Schedule # _____

Specifications

Model	System Model Number		AR09KSWJWKXCV	
	Indoor Unit Model Number		AR09KSWJWKNVC	
	Outdoor Unit Model Number		AR09KSWJWKXCV	
Performance	Nominal Capacity	Cooling / Heating (Btu/h)	9,000 / 12,000	
	Capacity Range	Cooling (Btu/h)	3,400 - 10,900	
		Heating (Btu/h)	3,400 - 17,700	
	SEER / EER		23.00 / 15.00	
	COP		4.00	
	HSPF		10.50	
	AHRI Reference Number		8677407	
Condensate (pints/h)		1.42		
Power	Voltage	ø / V / Hz	1 / 208-230 / 60	
	Working Voltage Range (VAC)		176 - 254	
	Operating Current (Min./Std./Max.)	Cooling (A)		1.50 / 2.90 / 3.20
		Heating (A)		1.30 / 4.10 / 6.50
	Max. Breaker	(A)		15
Min. Circuit Ampacity (A)			10.3	
Dimensions	W X H X D (in.)	Indoor Unit	35 1/4 X 10 1/4 X 10 1/4	
		Outdoor Unit	31 1/8 X 21 9/16 X 11 1/4	
	Weight (lbs.)	Indoor Unit	24.25	
		Outdoor Unit	81.6	
Condensate Connection		11/16" OD		
Sound Pressure Level	Indoor Unit (dB)	Low / High	20 / 40	
	Outdoor Unit (dB)	High	45	
Operating Temperatures °F(°C)	Outdoor	Cooling	14 ~ 115°F(-10 ~ 46°C) 5 ~ 115°F(-15 ~ 46°C)w/ wind baffle	
		Heating	5 ~ 75°F(-15 ~ 24°C)	
	Indoor	Cooling	61 ~ 90°F(16 ~ 32°C)	
		Heating	T ≤ 80°F(27°C)	
Pipe Connections	Indoor & Outdoor	High side (flare)	1/4"	
		Low side (flare)	3/8"	
	Maximum / Minimum Line Set Length (ft.)		50 / 10	
	Maximum Vertical Separation (ft.)		26	
Refrigerant	Type		R410A	
	Control Method		Electronic Expansion Valve	
	Factory Charge	oz.	44.1	
	Charged for		25 feet	
	Additional Refrigerant		0.16 oz./ft. over 25 ft.	
Compressor	Manufacturer		Samsung	
	Type		BLDC Rotary	
	RLA	A	4.6	
Evaporator Fan	Type		BLDC motor with cross-flow fan (1)	
	Air Volume	CFM (L / M / H / T)	270 / 330 / 400 / 460	
	Consumption	Watts	27	
	FLA	Amps	0.12	
Condenser Fan	Motor		BLDC motor with axial fan (1)	
	Output	Watts	39	
	FLA	Amps	0.17	
	Air Volume	CFM (max.)	1,400	
Optional Accessories	Wireless controller holder		DB61-06087A	
	Condensate pump	Aspen Mini Orange	ASP-MO-UNIV 110-250	
		Blue Diamond	BD-BLUE-230	
	Wired controller ¹		AR-WRP2	
	Wired controller sub-PCB		DB93-11412A	
	Wired controller sub-PCB harness		DB93-11405A	
	External contract control interface module (requires sub-PCB and sub-PCB harness)		MIM-B14	
	Wall bracket (for outdoor unit)		CKN-250	
	Line sets - insulated and flared, interconnect cables included		25' - ILS2506	
			50' - ILS5006	
Wind Baffle / Guard	Front		WBF-3M	
	Back		WBB-5M	
Safety	Certifications	ETL (UL 1995)		
	Devices	PCB fuses, indoor unit terminal block thermal fuse, current transformer, over-voltage protection, crankcase heating, temperature limit protection logic, compressor overload sensing		
Warranty	10 Years compressor, 10 Year Parts, 1 year limited labor (registration required)			



(actual equipment appearance may vary)

General Information

- The indoor unit shall have Wi-Fi capability as standard for control and monitoring with the Samsung Smart Home app (Android, iOS)
- Outdoor unit shall provide 208/230V power to indoor unit via 14 AWG X 3 interconnect power cable
- Electro-static, washable, main filter as standard accessible from the front/top of unit
- Advanced air filtration

Construction

- Indoor unit chassis shall be UL94 V0 with a galvanized steel mounting bracket
- The outdoor unit shall be galvanized steel with a baked on powder coated finish for durability
- The indoor unit shall have easy-access to wire, pipe, and drain connections via access panel on front of unit for easier installation and service

Heat Exchanger

- The heat exchanger shall be mechanically bonded fin to copper tube

Refrigerant System

- The compressor shall be hermetically sealed, inverter controlled, BLDC Rotary
- Refrigerant flow shall be controlled by electronic expansion valve at outdoor unit

Indoor Fan

- The indoor fan shall be a single, antibacterial cross-flow type
- Three fan speed settings and auto setting
- Automatic (motorized) vertical swing louver (up/down)

Controls

- The system shall have a built in Wi-Fi adapter as standard to allow control remotely (details on page 4)
- Control signal shall be DDC type signal
- Interconnect control wiring shall be 16 AWG X 2 shielded wire between outdoor and indoor units
- The indoor unit shall ship with a wireless controller and batteries as standard
- Optional wired control options available

Convenience

- Auto restart
- 7-segment digital display on front of unit to display temperature and unit status (hidden behind louver when off)
- "Fast Comfort" mode to quickly reach set temperature
- Auto changeover
- 24 hour, single event timer
- Good sleep mode
- Quiet mode
- Dry mode
- Single event, ON/OFF timer
- Single User Mode to reduce energy consumption during low demand operation
- Air filter cleaning can be done easily without opening the indoor unit
- Smart install mode - startup system diagnostics operation to ensure system readiness during initial operation
- Display ON/OFF and beep ON/OFF with included wireless controller

Samsung HVAC maintains a policy of ongoing development, specifications are subject to change without notice. Refer to www.AHRIdirectory.org for current reference numbers.

Proper sizing and installation of equipment is critical to achieve optimal performance. Split system air conditioners and heat pumps (excluding ductless systems) must be matched with appropriate coil components to meet ENERGY STAR criteria. Ask your contractor for details or visit www.energystar.gov.

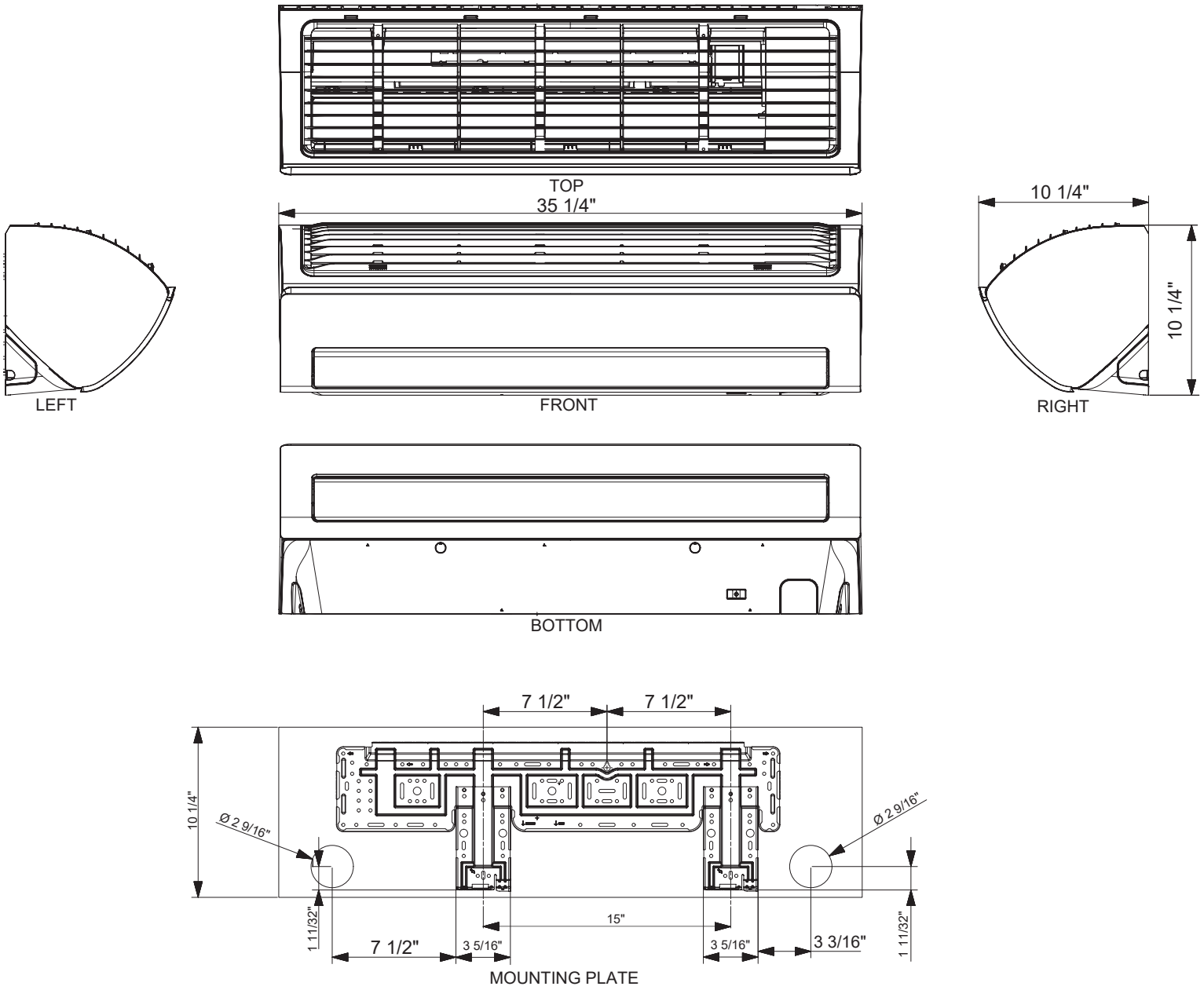
*Certified in accordance with the AHRI Unitary Small Air-Source Heat Pumps (USHP) Certification Program which is based on the latest edition of AHRI Standard 210/240.

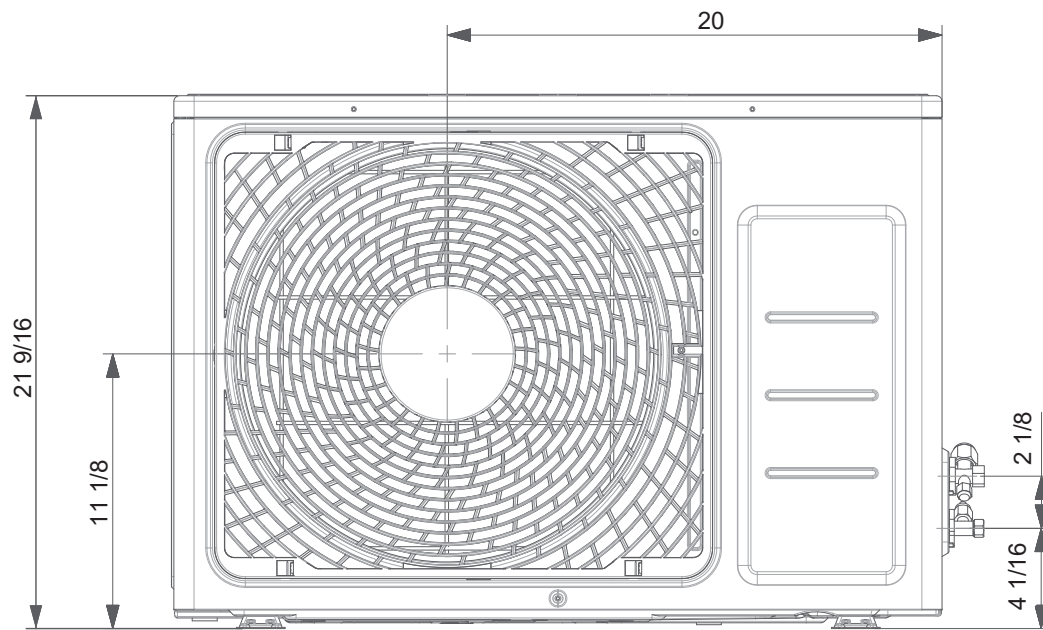
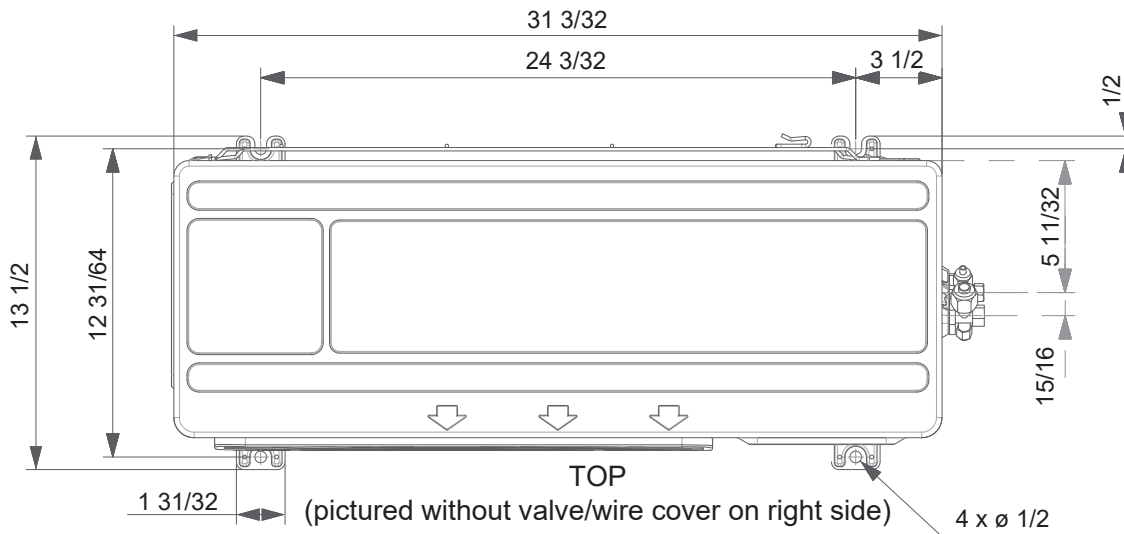
¹ AR-WRP2 includes MWR-WE13U wired controller with scheduling, sub-PCB (DB93-11412A), and sub-PCB harness (DB93-11405A).



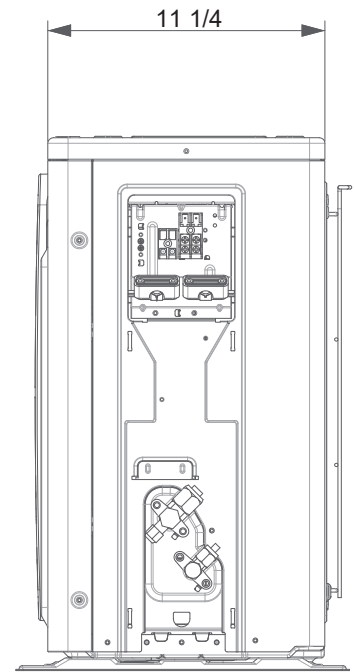
Samsung "Smart Whisper", wall mounted evaporator, split system
Indoor unit dimensional drawing

Unit: inches



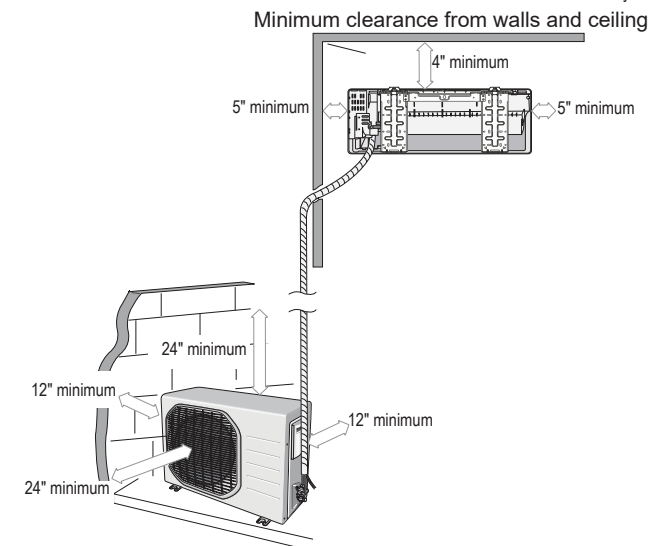


FRONT
(pictured without valve/wire cover on right side)



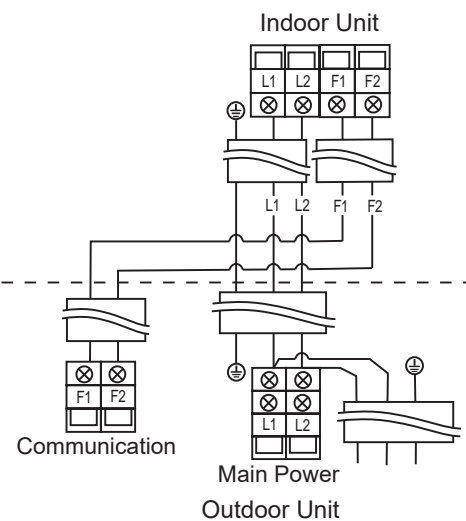
RIGHT
(pictured without valve/wire cover)

For reference only. Always refer to installation manual for complete details.



Minimum clearance from nearby obstructions
(See installation manual for full details. Be aware of national, state, and local codes)

Basic power and communication wiring between indoor and outdoor units



General Wi-Fi Control Information

• Allows control of system on a local network via Wi-Fi or through the internet when outside of home/office with Samsung's "Smart Home" app (available in Android and Apple app stores).

Wi-Fi Control Features

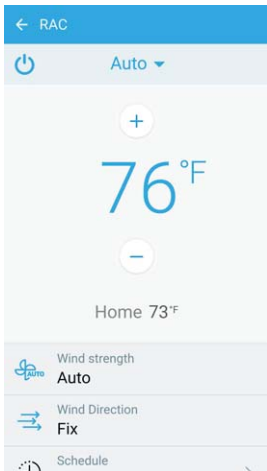
- Basic control and monitoring of: power, mode, set temperature, room temperature, fan speed, and louver swing.
- Timer ON and OFF feature allows scheduling of power ON and power OFF events on specific days at specific times.
- "My Wind" functions allows the user to save common air conditioner control configurations for quick and easy system operation (mode, set temperature, fan speed, and louver swing).
- Air filter reminder option will display hours of fan operation since last filter reminder reset.
- Optional filter reminder with four reminder intervals (180, 300, 500, and 700 hours of fan operation).
- Error notification
- System energy consumption history and adjustable threshold notification viewable with mobile app



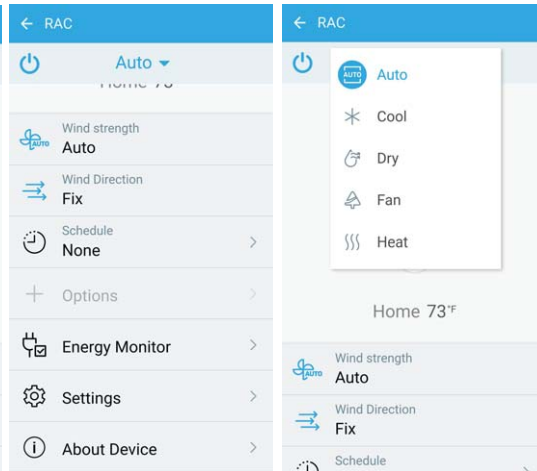
Wi-Fi Control Specifications

- Samsung's "Smart Home" app can monitor and control an unlimited quantity indoor units.
- A network with Wi-Fi connectivity is required to use the Wi-Fi adapter. Wi-Fi-direct control is not possible.

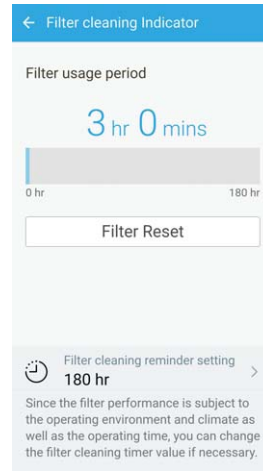
Samsung "Smart Home" App Examples



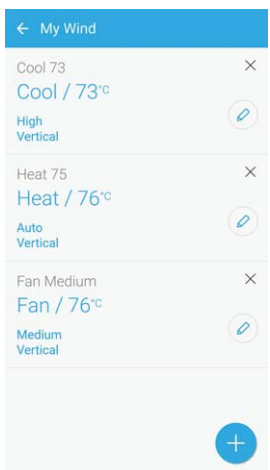
Main control page



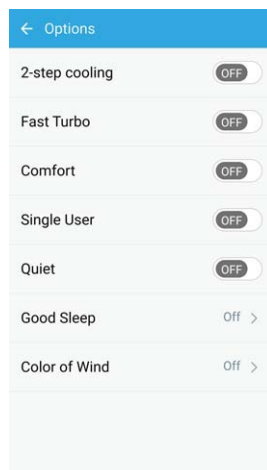
Filter reminder setting page



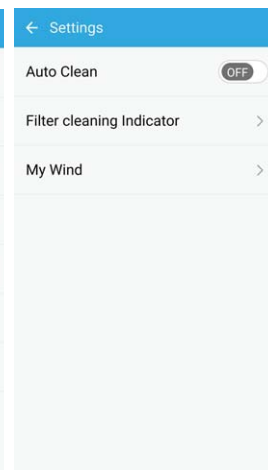
Timer setting page example



"My Wind" settings page



Options and settings pages



Energy usage page