

Samsung "Max Heat", wall mounted evaporator, split system

Job Name _____
 Purchaser _____
 Submitted to _____
 Unit Designation _____

Location _____
 Engineer _____
 Reference _____ Approval _____ Construction _____
 Schedule # _____

Specifications

Model	System Model Number		AR09KSWSPWK
	Indoor Unit Model Number		AR09KSWSPWKNCV
	Outdoor Unit Model Number		AR09KSWSPWKXCV
Performance	Nominal Capacity*	Cooling / Heating (Btu/h)	9,000 / 12,000
		Cooling (Btu/h)	3,071 - 11,260
	Capacity Range	Heating (Btu/h)	2,730 - 17,740
		SEER / EER	23.50 / 14.05
	COP	4.57	
	HSPF	10.50	
	AHRI Reference Number	9035283	
Power	Voltage	ø / V / Hz	1 / 208-230 / 60
	Working Voltage Range (VAC)		176 - 254
	Operating Current (Min./Std./Max.)	Cooling (A)	1.40 / 3.20 / 3.60
		Heating (A)	1.00 / 3.80 / 6.50
	Max. Breaker	Amps	15
	Min. Circuit Ampacity (A)		10.5
Dimensions	W X H X D (in.)	Indoor Unit	35 1/4 X 10 1/4 X 10 1/4
		Outdoor Unit	31 1/8 X 21 9/16 X 11 1/4
	Weight (lbs.)	Indoor Unit	24.69
		Outdoor Unit	79.37
	Condensate Connection		1 1/16" OD
Sound Pressure Level	Indoor Unit (dB)	Low / High	20 / 40
	Outdoor Unit (dB)	High	45
Operating Temperatures °F(°C)	Outdoor	Cooling	5 ~ 115°F(-15 ~ 46°C)
		Heating	-13 ~ 75°F(-25 ~ 24°C)
	Indoor	Cooling	61 ~ 90°F(16 ~ 32°C)
		Heating	T ≤ 80°F(27°C)
Pipe Connections	Indoor & Outdoor	High side (flare)	1/4"
		Low side (flare)	3/8"
	Maximum / Minimum Line Set Length (ft.)		50
	Maximum Vertical Separation (ft.)		26
Refrigerant	Type		R410A
	Control Method		Electronic Expansion Valve
	Factory Charge	oz.	42.4
	Charged for		25 feet
	Additional Refrigerant		0.16 oz./ft. over 25 ft.
Compressor	Type		BLDC Rotary
	RLA	Amps	4.6
Evaporator Fan	Type		BLDC with cross-flow fan (1)
	Air Volume	CFM (L / M / H / T)	270 / 330 / 400 / 460
	Consumption	Watts	27 x 1
	FLA	Amps	0.12
Condenser Fan	Motor		BLDC with axial fan (1)
	Output	Watts	39
	FLA	Amps	0.17
	Air Volume	CFM (max.)	1,400
Optional Accessories	Wireless controller holder		DB61-06087A
	Condensate pump	Aspen Mini Orange	ASP-MO-UNIV 110-250
		Blue Diamond	BD-BLUE-230
	Wired controller	Standard	AR-WRS02 ¹
		Premium (w/scheduling)	AR-WRP2 ²
	Wired controller sub-PCB		DB93-11412A
	Wired controller sub-PCB harness		DB93-11405A
	External contract control interface module (requires sub-PCB and sub-PCB harness)		MIM-B14
	Wall bracket (for outdoor unit)		CKN-250
	Line sets - insulated and flared, interconnect cables included	25' - ILS2506	
		50' - ILS5006	
	Wind Baffle / Guard	Front	WBF-3M
Back		WBB-5M	
Safety	Certifications		ETL (UL 1995)
	Devices	PCB fuses, indoor unit terminal block thermal fuse, current transformer, over-voltage protection, crankcase heating, temperature limit protection logic, compressor overload sensing	
Warranty	10 Years compressor, 10 Year Parts, 1 year limited labor (registration required)		



General Information

- The Samsung Max Heat system shall provide high heating capacity at -13°F outside temperature.
- The indoor unit shall have Wi-Fi capability as standard for control and monitoring with the Samsung Smart Home app (Android, iOS)
- The outdoor unit shall have a base pan heater as standard to ensure optimal defrost cycle water drainage
- Outdoor unit shall provide 208/230V power to indoor unit via 14 AWG X 3 interconnect power cable
- Electro-static, washable, main filter as standard accessible from the front/top of unit
- Advanced air filtration

Construction

- Indoor unit chassis shall be UL94 V0 with a galvanized steel mounting bracket
- The outdoor unit shall be galvanized steel with a baked on powder coated finish for durability
- The indoor unit shall have easy-access to wire, pipe, and drain connections via access panel on front of unit for easier installation and service

Heat Exchanger

- The heat exchanger shall be mechanically bonded fin to copper tube

Refrigerant System

- The compressor shall be hermetically sealed, inverter controlled, BLDC Rotary
- Refrigerant flow shall be controlled by electronic expansion valve at outdoor unit

Indoor Fan

- The indoor fan shall be a single, antibacterial cross-flow type
- Three fan speed settings and auto setting
- Automatic (motorized) vertical swing louver (up/down)

Controls

- The system shall have a built in Wi-Fi adapter as standard to allow control remotely (details on page 4)
- Control signal shall be DDC type signal
- Interconnect control wiring shall be 16 AWG X 2 shielded wire between outdoor and indoor units
- The indoor unit shall ship with a wireless controller and batteries as standard
- Wired controller options available

Convenience

- Auto restart
- 7-segment digital display on front of unit to display temperature and unit status (hidden behind louver when off)
- "Fast Comfort" mode to quickly reach set temperature
- Auto changeover
- 24 hour, single event timer
- Good sleep mode
- Quiet mode
- Dry mode
- Single event, ON/OFF timer
- Single User Mode to reduce energy consumption during low demand operation
- Air filter cleaning can be done easily without opening the indoor unit
- Smart install mode - startup system diagnostics operation to ensure system readiness during initial operation
- Display ON/OFF and beep ON/OFF with included wireless controller

Proper sizing and installation of equipment is critical to achieve optimal performance. Split system air conditioners and heat pumps (excluding ductless systems) must be matched with appropriate coil components to meet ENERGY STAR criteria. Ask your contractor for details or visit www.energystar.gov.

* Certified in accordance with the AHRI Unitary Small Air-Source Heat Pumps (USHP) Certification Program which is based on the latest edition of AHRI Standard 210/240.

¹ AR-WRS02 includes MWR-WH00U wired controller, sub-PCB (DB93-11412A), and sub-PCB harness (DB93-11405A)

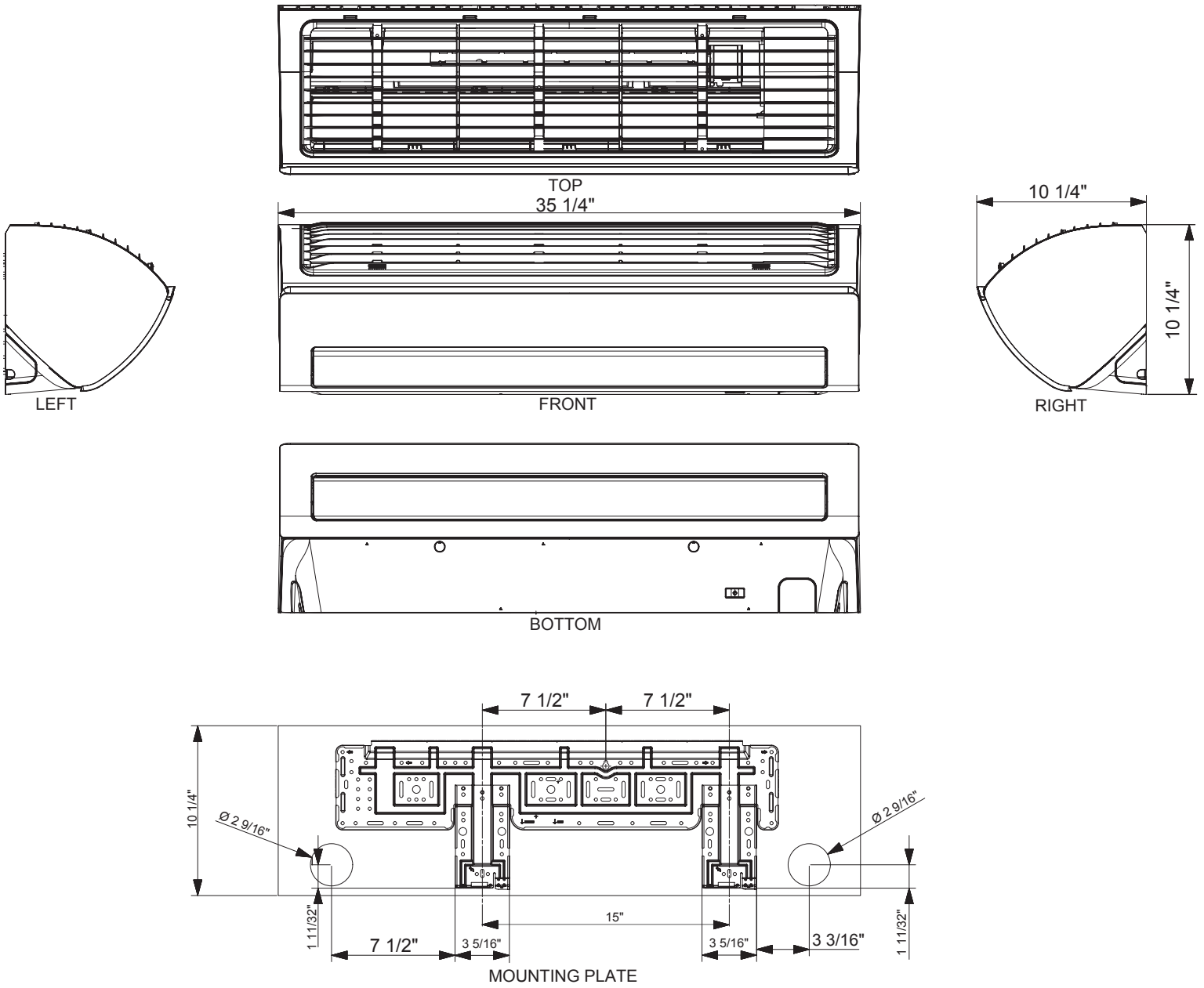
² AR-WRP2 includes MWR-WE13U wired controller, sub-PCB (DB93-11412A), and sub-PCB harness (DB93-11405A)

⚠ * HVAC maintains a policy of ongoing development, specifications are subject to change without notice. Refer to www.AHRIdirectory.org for current reference numbers.



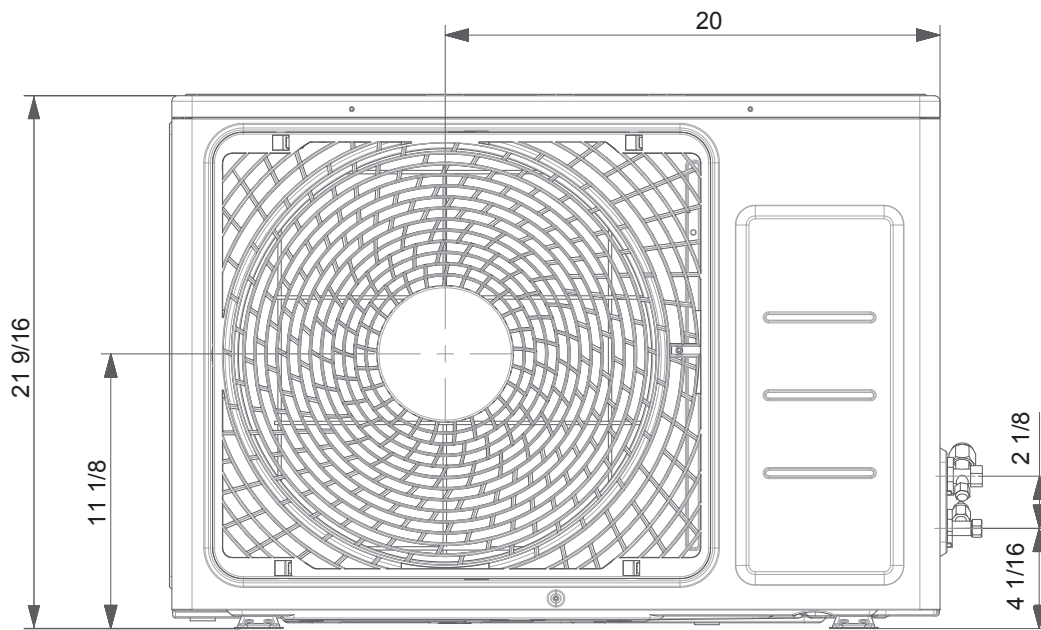
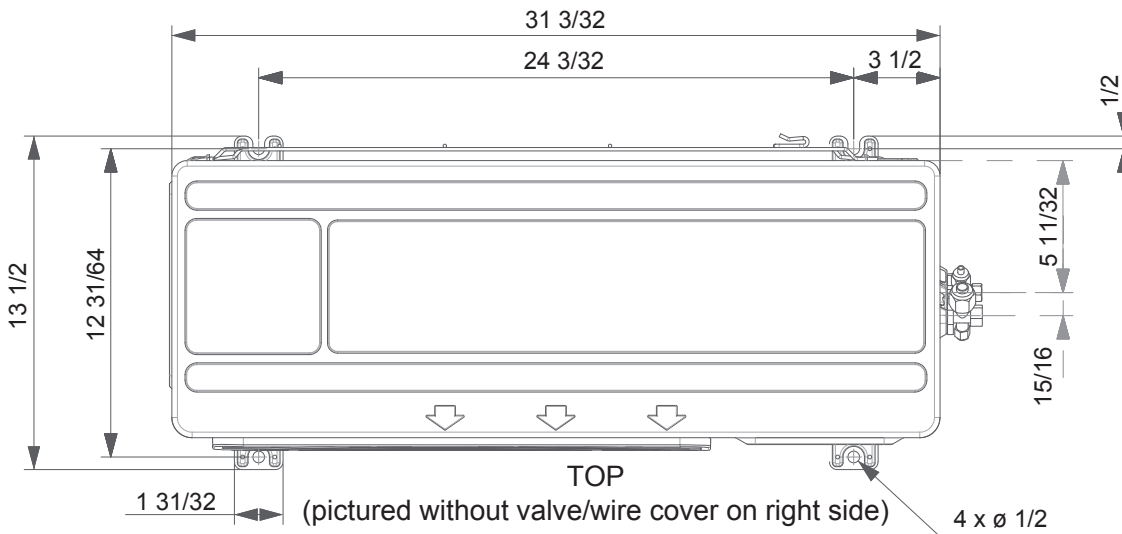
Samsung "Max Heat", wall mounted evaporator, split system
Indoor unit dimensional drawing

Unit: inches

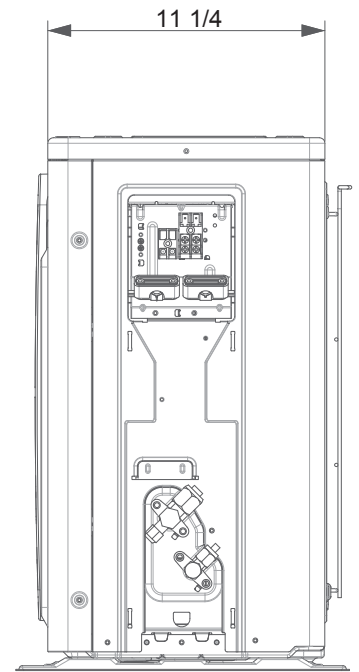


Samsung "Max Heat", wall mounted evaporator, split system
Outdoor unit dimensional drawing

Unit: inches

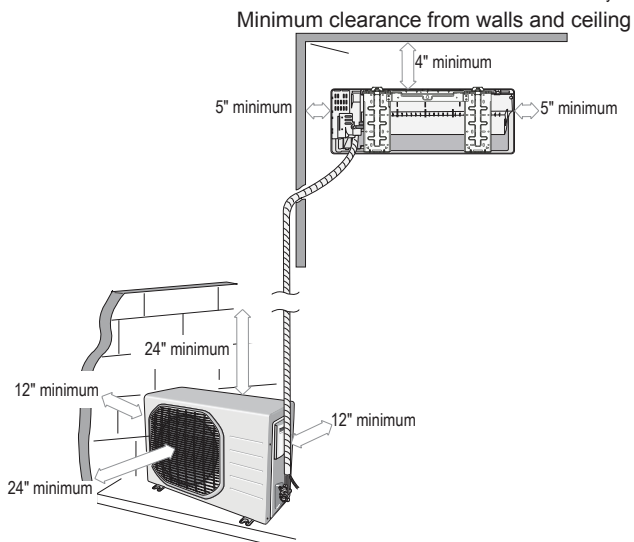


FRONT
(pictured without valve/wire cover on right side)



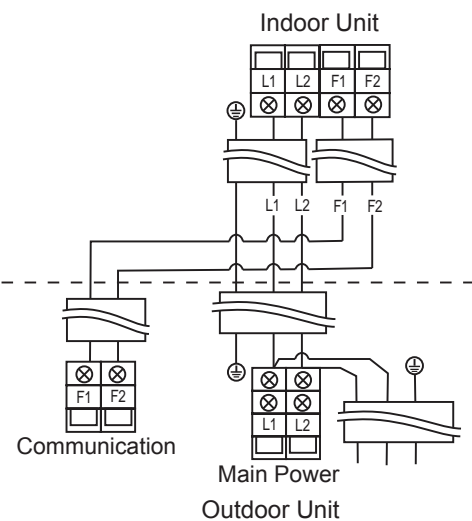
RIGHT
(pictured without valve/wire cover)

For reference only. Always refer to installation manual for complete details.



Minimum clearance from nearby obstructions
(See installation manual for full details. Be aware of national, state, and local codes)

Basic power and communication wiring between indoor and outdoor units



Samsung "Max Heat", wall mounted evaporator, split system Samsung Smart Home App Wi-Fi Control Details

General Wi-Fi Control Information

• Allows control of system on a local network via Wi-Fi or through the internet when outside of home/office with Samsung's "Smart Home" app (available in Android and Apple app stores).

Wi-Fi Control Features

- Basic control and monitoring of: power, mode, set temperature, room temperature, fan speed, and louver swing.
- Timer ON and OFF feature allows scheduling of power ON and power OFF events on specific days at specific times.
- "My Wind" functions allows the user to save common air conditioner control configurations for quick and easy system operation (mode, set temperature, fan speed, and louver swing).
- Air filter reminder option will display hours of fan operation since last filter reminder reset.
- Optional filter reminder with four reminder intervals (180, 300, 500, and 700 hours of fan operation).
- Error notification
- System energy consumption history and adjustable threshold notification viewable with mobile app



Wi-Fi Control Specifications

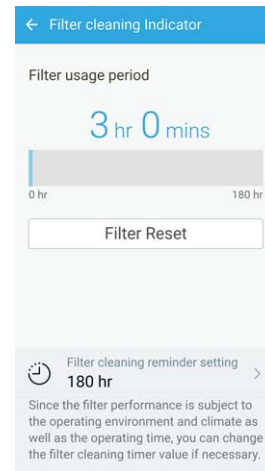
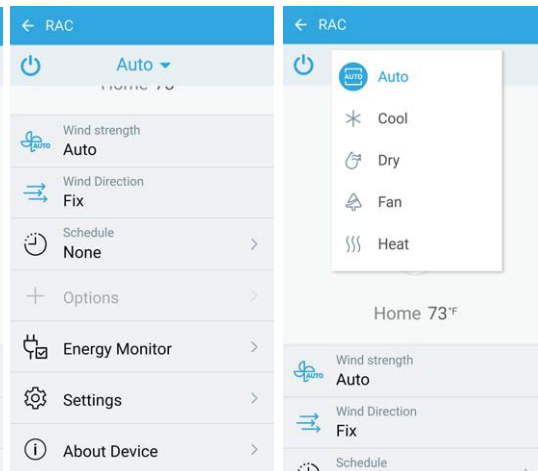
• Samsung's "Smart Home" app can monitor and control an unlimited quantity indoor units.

• A network with Wi-Fi connectivity is required to use the Wi-Fi adapter. Wi-Fi-direct control is not possible.

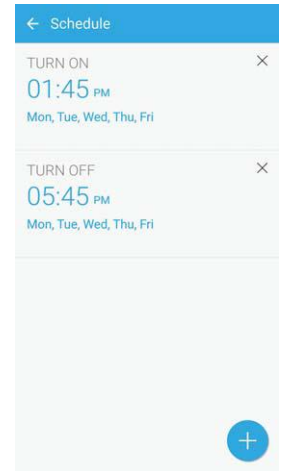
Samsung "Smart Home" App Examples



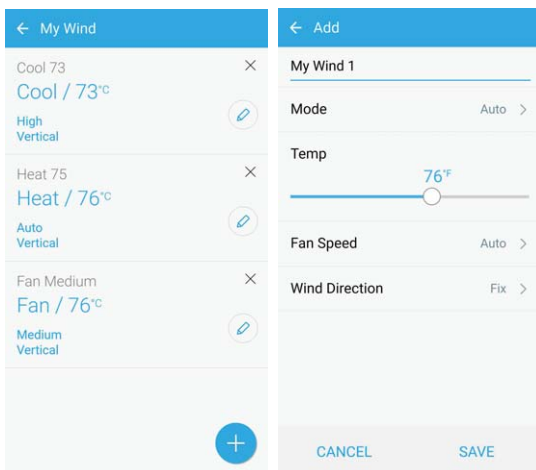
Main control page



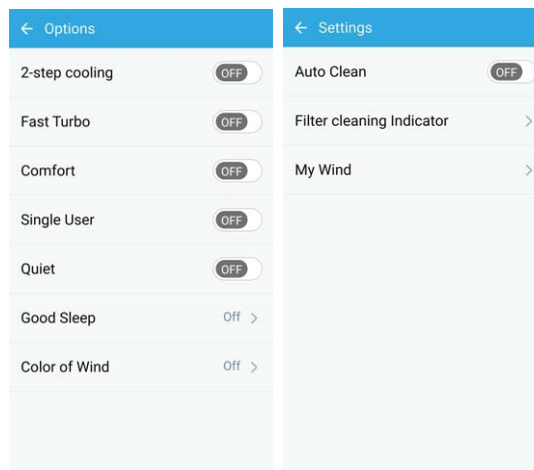
Filter reminder setting page



Timer setting page example



"My Wind" settings page



Options and settings pages



Energy usage page