

TECHNICAL SPECIFICATIONS

B6EW Series

Air Handler

**14 SEER Residential or
Multi-family System
1.5 - 3.0 Tons (Air Conditioner)**

The B6EW Series air handler, when combined with our heat pump or air conditioner, offers a full line of quality, split system heating and cooling equipment.



Shown in Bottom
Return Application

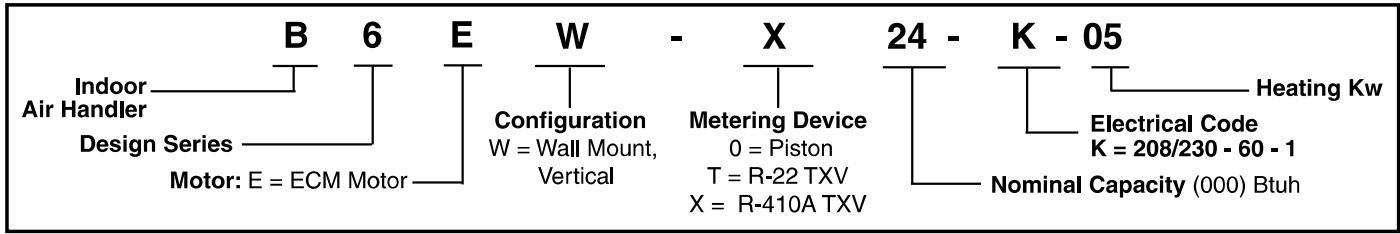
WARRANTY

- This product carries a 5-year all parts warranty. When installed with a matched outdoor unit, the air handler will carry the outdoor system warranty. See current warranty document or visit our consumer web site for warranty details.

FEATURES and BENEFITS

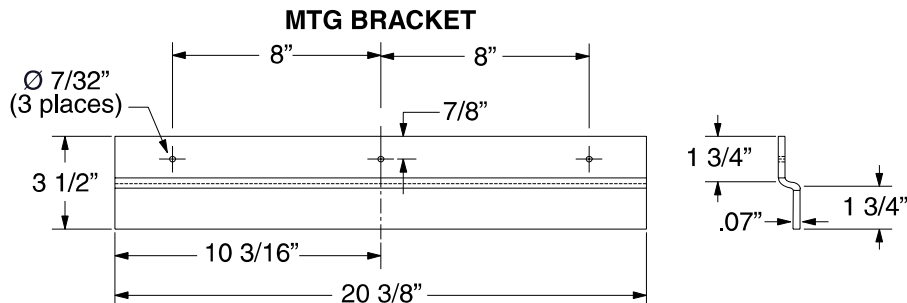
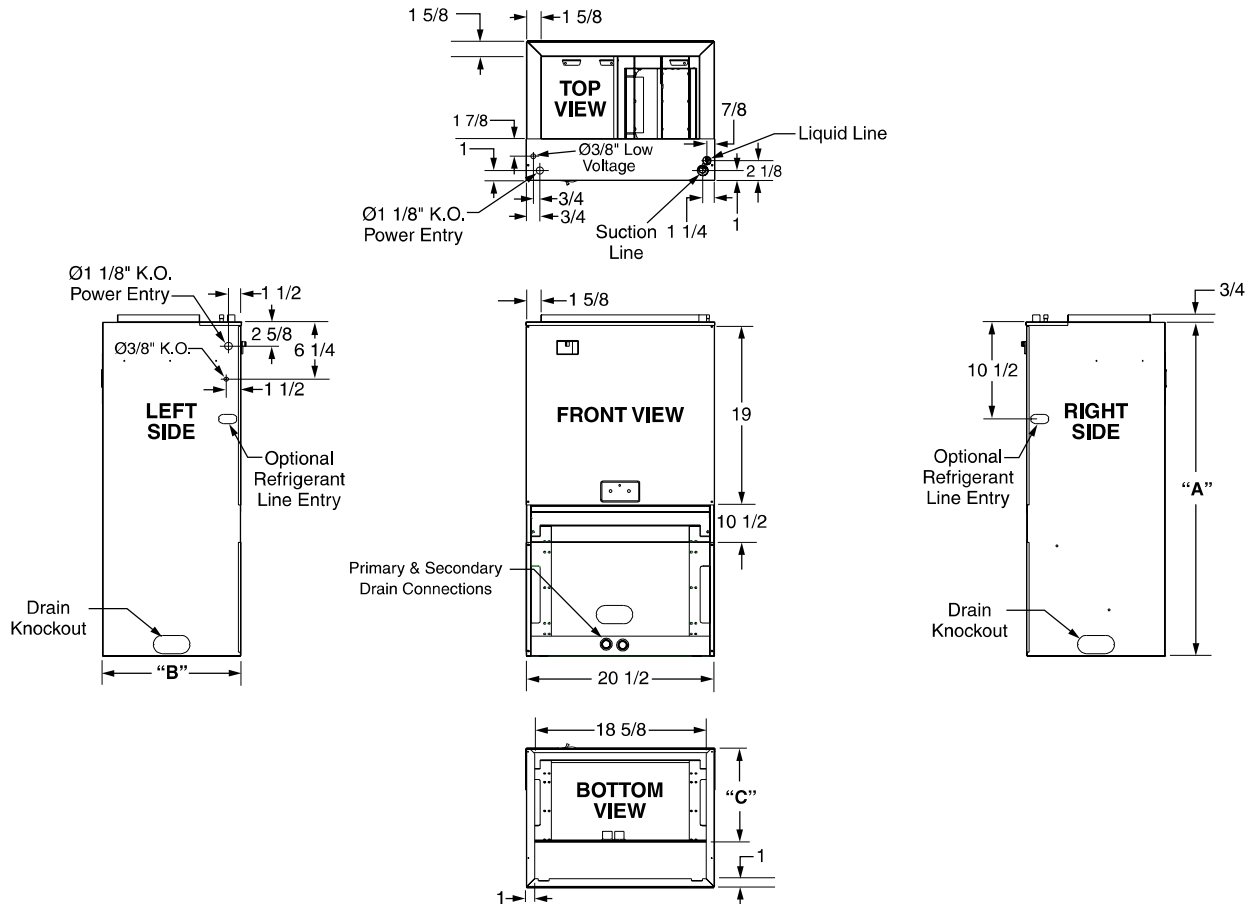
- **Energy Efficient Fixed Speed ECM Motor:** Provides 5 selectable cooling airflows to match any application.
- **Thermal Expansion Valve:** Factory installed externally equalized thermal expansion valve provides precise refrigerant control under varying load conditions.
- **Micro-Channel Coil Technology:** All aluminum coil provides high corrosion resistance.
- **Durable, Attractive Cabinet:** Designed using galvanized steel with optional white decorative panel. The plastic drain pan is corrosion resistant.
- **Multi-speed:** Gives flexibility of installation.
- **Blower Control Board:** Incorporating blower time delay, and heat-strip sequencing.
- **Ease-of-Service:** Plug-in wire connections and built-in filter rack makes the air handler easy to service.
- **Heater Kits Installed:** Available in 5kw, 8kw & 10kw.
- **Breaker Accessibility:** Breaker accessible from front of unit.
- **Fully insulated Cabinet:** for quiet operation.
- **Front and/or Bottom Return air**
- **Offset Hanging Bracket for Easy Installation**

MODEL IDENTIFICATION CODE



DIMENSIONS

MODEL NUMBER B6EW-	REFRIGERANT CONNECTIONS		SUPPLY AIR DUCT DIMENSION	A	B	C
	SUCTION DIA.	LIQUID DIA.				
X18K	3/4	3/8	9 x 17 1/4	36 3/8	15	9 1/2
X24K	3/4	3/8	9 x 17 1/4	36 3/8	15	9 1/2
X25K	3/4	3/8	9 x 17 1/4	43 1/2	15	9 1/2
X30K	3/4	3/8	9 x 17 1/4	43 1/2	15	9 1/2
X36K	3/4	3/8	15 x 17 1/4	43 1/2	21	15 1/2



SPECIFICATIONS

Model Number B6EW-	X18K	X24K	X25K	X30K	X36K
Nominal Cooling Capacity - Btuh (1)	17,200	24,000	25,000	27,600	33,000
Refrigerant Flow Control	TXV	TXV	TXV	TXV	TXV
Available Heat (kw)	5, 8	5, 8, 10	5, 8, 10	5, 8, 10	5, 8, 10
Nominal Blower Size (D x W)	10 x 6	10 x 6	10 x 6	10 x 6	10 x 8
(H.P. - Speed - Type)	1/2-5-ECM	1/2-5-ECM	1/2-5-ECM	1/2-5-ECM	1/2-5-ECM
Rated External Static Pressure (in. W.C.)	.30	.30	.30	.30	.30
Filter Size (see note below)	16 x 20 x 1	16 x 20 x 1	20 x 20 x 1	20 x 20 x 1	20 x 24 x 1
Approximate Shipping Weight (lbs.)	80	80	88	88	92

(1) See current AHRI Directory for certified combinations and ratings.

SYSTEM AIR FLOW DATA

X18K/X24K	Dry Coil ESP	0.1	0.2	0.3	0.4	0.5	0.6	0.7	0.8
	M1	712	678	644	604	558	514	475	436
	M2	896	859	831	805	764	731	697	657
	M3	980	927	915	885	843	813	768	730
	M4	1080	1040	1026	993	976	942	915	878
	M5	1165	1128	1118	1065	1048	1020	995	964

X25K/X30K	Dry Coil ESP	0.1	0.2	0.3	0.4	0.5	0.6	0.7	0.8
	M1	773	728	698	653	608	571	518	484
	M2	943	917	901	861	824	783	743	701
	M3	1034	993	959	942	913	869	836	795
	M4	1163	1128	1099	1067	1054	1019	967	942
	M5	1245	1215	1191	1155	1124	1102	1068	1047

X36K	Dry Coil ESP	0.1	0.2	0.3	0.4	0.5	0.6	0.7	0.8
	M1	805	758	706	645	580	518	461	412
	M2	1026	983	934	889	839	792	732	667
	M3	1121	1080	1039	1001	947	902	846	791
	M4	1275	1235	1193	1152	1112	1070	1024	971
	M5	1388	1349	1302	1261	1226	1185	1141	1092

NOTES:

- Airflow is shown in cfm, +/- 5%.
- External static pressure is shown in inches W.C.
- All airflows are measured without filter and with dry coil. For filter, subtract .08" external static pressure. For wet coil, subtract .1" external static pressure.
- See unit nameplate or installation instructions for maximum recommended external static pressure.

ELECTRICAL DATA

Model Number B6EW-	Minimum Circuit Ampacity & Maximum Overcurrent Protection			
	240VAC, 50 & 60Hz		208VAC, 50 & 60Hz	
	MCA	MOP	MCA	MOP
X18K-05	29.8	30	26.2	30
X18K-08	43.3	45	38.8	40
X24K-05	29.8	30	26.2	30
X24K-08	43.3	45	38.8	40
X24K-10	54.8	60	47.8	50
X25K-05	29.8	30	26.2	30
X25K-08	44.3	45	38.8	40

MCA = Minimum Circuit Ampacity, MOP = Maximum Over-Current Protection

ELECTRICAL DATA continued

Model Number B6EW-	Minimum Circuit Ampacity & Maximum Overcurrent Protection			
	240VAC, 50 & 60Hz		208VAC, 50 & 60Hz	
	MCA	MOP	MCA	MOP
X25K-10	54.8	60	47.8	50
X30K-05	29.8	30	26.2	30
X30K-08	44.3	45	38.8	40
X30K-10	54.8	60	47.8	50
X36K-05	29.8	30	26.2	30
X36K-08	44.3	45	38.8	40
X36K-10	54.8	60	47.8	50

MCA = Minimum Circuit Ampacity, MOP = Maximum Over-Current Protection

- ACCESSORIES**
- Decorative Louvered Panel - 903892 for 018/024
 - Decorative Louvered Panel - 919583 for 025/030/036

Outdoor Unit Model Number	Indoor Unit	BTUH	SEER	EER	SCFM
*S4BE-018K	B6EW-X18K	18,400	14.5	12.00	665
*S4BE-024K	B6EW-X24K	23,400	14.0	12.00	835
*S4BE-024K	B6EW-X25K	24,000	15.0	13.00	750
*S4BE-030K	B6EW-X30K	29,400	15.0	12.00	1020
*S4BE-036K	B6EW-X36K	33,000	14.5	12.00	1130

Outdoor Unit Model Number	Indoor Unit	BTUH	SEER	EER	SCFM
*S4BE-018KA	B6EW-X18K	17,900	15.0	12.50	550
*S4BE-024KA	B6EW-X25K	23,600	15.0	12.50	820
*S4BE-030KA	B6EW-X30K	28,800	15.0	12.50	975
*S4BE-036KA	B6EW-X36K	33,600	15.0	12.50	1070

Outdoor Unit Model Number	Indoor Unit	BTUH	SEER	EER	SCFM
*T4BE-018K	B6EW-X18K	17,600	15.0	12.00	660
*T4BE-024K	B6EW-X24K	22,800	15.0	12.00	840
*T4BE-030K	B6EW-X30K	27,400	15.0	12.00	1025
*T4BE-036K	B6EW-X36K	32,600	15.0	12.00	1135

NOTE: See Current AHRI Directory for certified combinations and ratings. www.ahridirectory.org



GENERAL TERMS OF LIMITED WARRANTY

NORDYNE will furnish a replacement for any part of this product which fails in normal use and service within the first five years of installation, in accordance with the terms of the warranty.

For complete details of the Limited Warranty, including applicable terms and conditions, see your local installer or contact the NORDYNE warranty department for a copy.

NORDYNE

COMPLETE COMFORT. GENUINE VALUE.

8000 Phoenix Parkway | O'Fallon, MO 63368-3827

Specifications and illustrations subject to change without notice and without incurring obligations. Printed in U.S.A (12/2012)

943D-1212 (Replaces 943D-1112)

www.westinghousehvac.com

WESTINGHOUSE, and INNOVATION YOU CAN BE SURE OF are trademarks of Westinghouse Electric Corporation. Used under license by Nortek Global HVAC LLC. All Rights Reserved. © Nortek Global HVAC LLC.