

BCW1

PRODUCT SPECIFICATIONS

BCW1

WALL MOUNT AIR HANDLER

FORM NO. BCW1-100 (05/2020)



CABINET & GENERAL FEATURES

- Patent pending flexible copper tubing for easy motor access.
- Low 30" height all models, all sizes
- Cabinets Constructed of heavy-gauge, corrosion-resistant galvanized steel.
- Refrigerant connections located on top left.
- 5/8" foil-faced insulation for excellent sweat resistance and quiet operation.
- (4) Screw removal for easy access to all electrical connections
- Dual condensate drain connections on left side, right side, and bottom of cabinet
- 1" duct flanges on all models simplify attachment to plenums such as 1 1/2" duct board.
- Air filter included with every air handler; no tools required for change out.
- Decorative wall panel (26"w x 38"h) or closet panel (24"w x 27"h) allow optimal airflow while reducing sound levels.
- Wall hanging bracket available as accessory for field installation.
- Approved for installation in manufactured housing and mobile homes.

COIL FEATURES

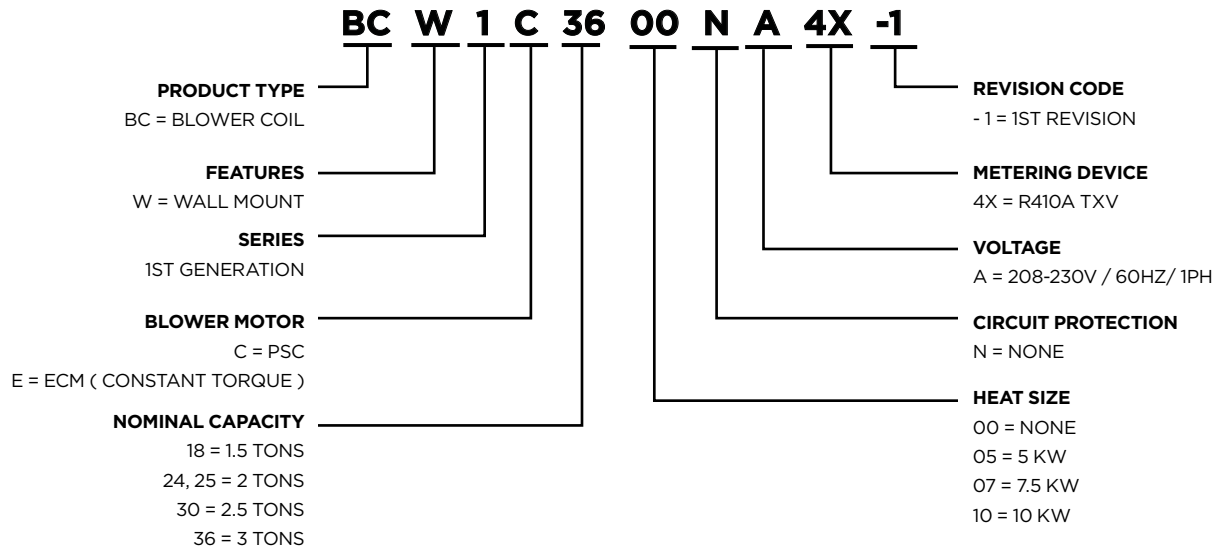
- AC or HP applications; R-22 & R-410a Compatible.
- Proven copper tube and aluminum fin coil technology.
- Factory installed threaded expansion valve.
- Corrosion proof plastic drain pan.

ELECTRICAL FEATURES

- High efficiency ECM motor or PSC motor available.
- Easy to service electric heat section.
- 5, 7.5, or 10 kW heat kits standard factory installed on all models.
- Pull disconnect line voltage connection standard on all models.
- Patented condensate drain pan safety float switch available as accessory
- Includes thermostat connections, time delay (1 sec. on, 45 sec. off), & motor uses control board; functions are built into the ECM motor).



MODEL NUMBER GUIDE



PHYSICAL

Model	Volts/Hz/Phase	Max. Elec. Heat Available (kW)	Transformer Size & Type	Filter Size (in.)	Refrigerant Connection (IDS)		Weight (lbs.)
					Suction (in.)	Liquid (in.)	
BCW1C1805NA4X	208/240V 60HZ 1 Phase	10	40VA Class 2	20x20	3/4"	3/8"	78
BCW1C2405NA4X BCW1C2407NA4X	208/240V 60HZ 1 Phase	10	40VA Class 2	20x20	3/4"	3/8"	78
BCW1E2505NA4X BCW1E2507NA4X	208/240V 60HZ 1 Phase	10	40VA Class 2	20x20	3/4"	3/8"	81
BCW1C3005NA4X BCW1C3007NA4X	208/240V 60HZ 1 Phase	10	40VA Class 2	20x20	3/4"	3/8"	81
BCW1E3607NA4X BCW1E3610NA4X	208/240V 60HZ 1 Phase	10	40VA Class 2	20x25	3/4"	3/8"	81

ELECTRICAL**PSC MOTOR**

Model	Elec. Heating Cap.		Blower Amps		Min. Circuit Ampacity		Max. Circuit Breaker Size
	kW	Btuh	208v	240v	208v	240v	
	240v	240v					
18	5.0	17,065	1.8	1.7	24.8	28.2	30
	7.5	25,598	1.8	1.7	36.1	41.2	45
	10.0	34,130	1.8	1.7	47.4	54.2	60
24	5.0	17,065	1.8	1.7	24.8	28.2	30
	7.5	25,598	1.8	1.7	36.1	41.2	45
	10.0	34,130	1.8	1.7	47.4	54.2	60
30	5.0	17,065	2.1	2.0	25.2	28.5	30
	7.5	25,598	2.1	2.0	36.5	41.6	45
	10.0	34,130	2.1	2.0	47.8	54.6	60

HIGH EFFICIENCY ECM MOTOR

Model	Elec. Heating Cap.		Blower Amps		Min. Circuit Ampacity		Max. Circuit Breaker Size
	kW	Btuh	208v	240v	208v	240v	
	240v	240v					
25	5.0	17,065	1.8	1.7	24.8	28.2	30
	7.5	25,598	1.8	1.7	36.1	41.2	45
36	7.5	25,598	3.1	2.9	37.7	42.7	45
	10.0	34,130	3.1	2.9	49.0	55.7	60

BLOWER PERFORMANCE

PSC MOTOR

Model	Cooling Speed Setting	Airflow (CFM) vs. External Static Pressure (inches W.C.)***				
		0.1	0.2	0.3	0.4	0.5
18	* ^ Low-Red	606	591	576	559	529
	Med - Blue	802	784	751	722	693
	High - Black	1046	1013	987	943	885
24	Low-Red	606	591	576	559	529
	* ^ Med - Blue	802	784	751	722	693
	High - Black	1046	1013	987	943	885
30	Low-Red	816	809	802	775	752
	* ^ Med - Blue	1000	985	970	935	889
	High - Black	1218	1175	1122	1070	1008

* Factory setting for cooling.

^ Factory setting for heating.

*** All airflow data is with a dry coil, filter, & electric heat.

HIGH EFFICIENCY ECM MOTOR

Unit Size	Cooling Speed Setting	Airflow (CFM) vs. External Static Pressure (inches W.C.)***				
		0.1	0.2	0.3	0.4	0.5
25	Tap 1	569	453	347	264	264
	* Tap 2	659	600	569	518	475
	Tap 3	847	800	787	744	722
	^ Tap 4	928	901	883	846	802
	Tap 5	970	944	927	891	864
36	Tap 1	848	800	769	726	692
	* Tap 2	1051	1028	1000	956	930
	Tap 3	1247	1215	1188	1161	1126
	^ Tap 4	1310	1279	1254	1228	1200
	Tap 5	1364	1334	1279	1279	1250

* Factory setting for cooling.

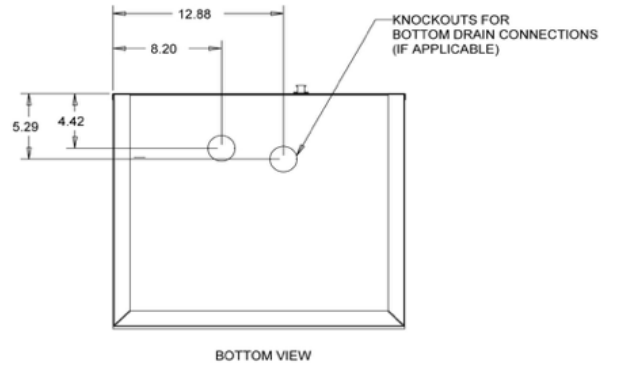
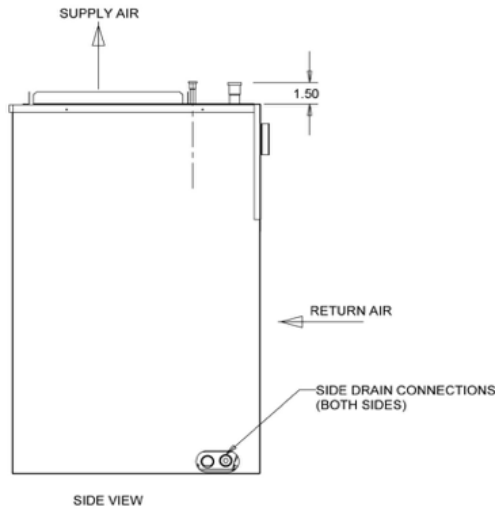
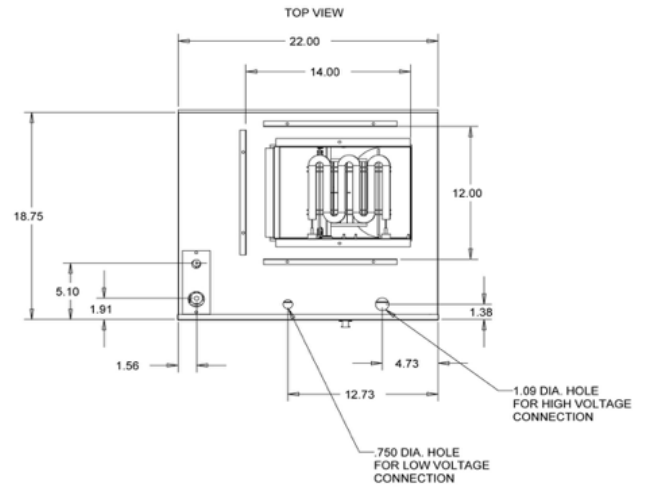
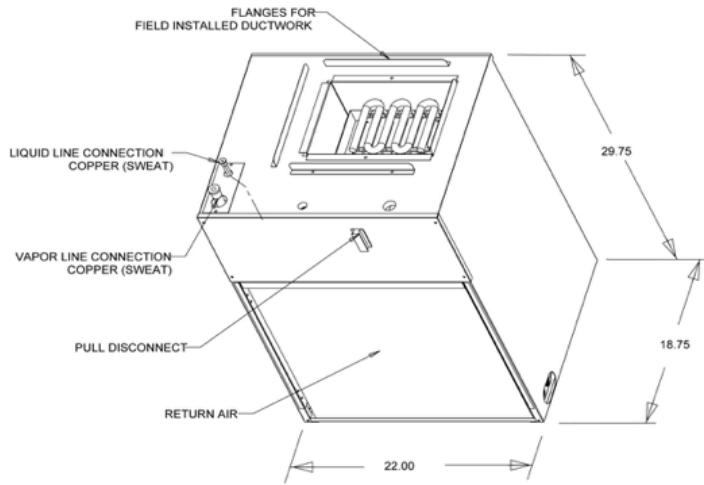
^ Factory setting for heating.

*** All airflow data is with a dry coil, filter, & electric heat.

ACCESSORIES

Accessory Description	Catalog Number
Wall Hanging Bracket (qty of 1)	1.841206
Wall Hanging Bracket (qty of 10)	1.841210
Float Switch	1.841208
Decorative Wall Panel (finished, no louvers)	1.841207
Decorative Closet Panel (unfinished, no louvers)	1.841209
Sound Isolation Panel	1.841242
5.0 kW Heater Kit	R76700871
7.5 kW Heater Kit	R76700872
10.0 kW Heater Kit	R76700873

DIMENSIONS



1-800-448-5872

All specifications and illustrations subject to change without notice and without incurring obligations.