



Thru-the-Wall Heating & Cooling Comfort For Multi-Family Construction

**Condensing Units  
Heat Pumps  
Air Handlers  
Submittal Data**

For Approval

**Project:**

**Purchaser:**

**Date:**

---

**National Comfort Products®**

*A Division of National Refrigeration & Air Conditioning Products, Inc.*

539 Dunksferry Road • Bensalem, PA 19020 • (215) 244-1400 • **1-800-523-7138** • Fax: (215) 639-1674

**Condensing Units NCPE Models**

| Plan Designation | Quantity | Model            | Description                                                   | Page |
|------------------|----------|------------------|---------------------------------------------------------------|------|
|                  |          | NCPE-418-1010 /D | 1000 Series R4104 1.5 ton, Thru-the-Wall 208-230/1/60 12 SEER | 4    |
|                  |          | NCPE-424-1010 /D | 1000 Series R4104 2.0 ton, Thru-the-Wall 208-230/1/60 12 SEER | 4    |
|                  |          | NCPE-430-1010 /D | 1000 Series R4104 2.5 ton, Thru-the-Wall 208-230/1/60 12 SEER | 4    |
|                  |          | NCPE-418-3010 /D | 3000 Series R4104 1.5 ton, Thru-the-Wall 208-230/1/60 12 SEER | 5    |
|                  |          | NCPE-424-3010 /D | 3000 Series R4104 2.0 ton, Thru-the-Wall 208-230/1/60 12 SEER | 5    |
|                  |          | NCPE-430-3010 /D | 3000 Series R4104 2.5 ton, Thru-the-Wall 208-230/1/60 12 SEER | 5    |
|                  |          | NCPE-418-4010 /D | 4000 Series R4104 1.5 ton, Thru-the-Wall 208-230/1/60 12 SEER | 6    |
|                  |          | NCPE-424-4010 /D | 4000 Series R4104 2.0 ton, Thru-the-Wall 208-230/1/60 12 SEER | 6    |
|                  |          | NCPE-430-4010 /D | 4000 Series R4104 2.5 ton, Thru-the-Wall 208-230/1/60 12 SEER | 6    |
|                  |          | NCPE-418-5010    | 5000 Series R4104 1.5 ton, Thru-the-Wall 208-230/1/60 14 SEER | 7    |
|                  |          | NCPE-424-5010    | 5000 Series R4104 2.0 ton, Thru-the-Wall 208-230/1/60 14 SEER | 7    |
|                  |          | NCPE-430-5010    | 5000 Series R4104 2.5 ton, Thru-the-Wall 208-230/1/60 14 SEER | 7    |

**Heat Pump NHPA Models**

| Plan Designation | Quantity | Model         | Description                                                                     | Page |
|------------------|----------|---------------|---------------------------------------------------------------------------------|------|
|                  |          | NHPA-418-3019 | 3000 Series R4104 1.5 ton, Thru-the-Wall Heat Pump 208-230/1/60 12 SEER 7.4HSPF | 8    |
|                  |          | NHPA-424-3019 | 3000 Series R4104 2.0 ton, Thru-the-Wall Heat Pump 208-230/1/60 12 SEER 7.4HSPF | 8    |

**Apartment Air Handler NCPAH-A Series Models**

| Plan Designation | Quantity | Model      | Description                        | Page |
|------------------|----------|------------|------------------------------------|------|
|                  |          | NCPAH-24-A | Apartment Air Handler 208/230/1/60 | 9    |
|                  |          | NCPAH-36-A | Apartment Air Handler 208/230/1/60 | 9    |

**Multi-Position Air Handler NCPAH-M Series Models**

| Plan Designation | Quantity | Model      | Description                             | Page |
|------------------|----------|------------|-----------------------------------------|------|
|                  |          | NCPAH-24-M | Multi-Position Air Handler 208/230/1/60 | 10   |
|                  |          | NCPAH-36-M | Multi-Position Air Handler 208/230/1/60 | 10   |

Options

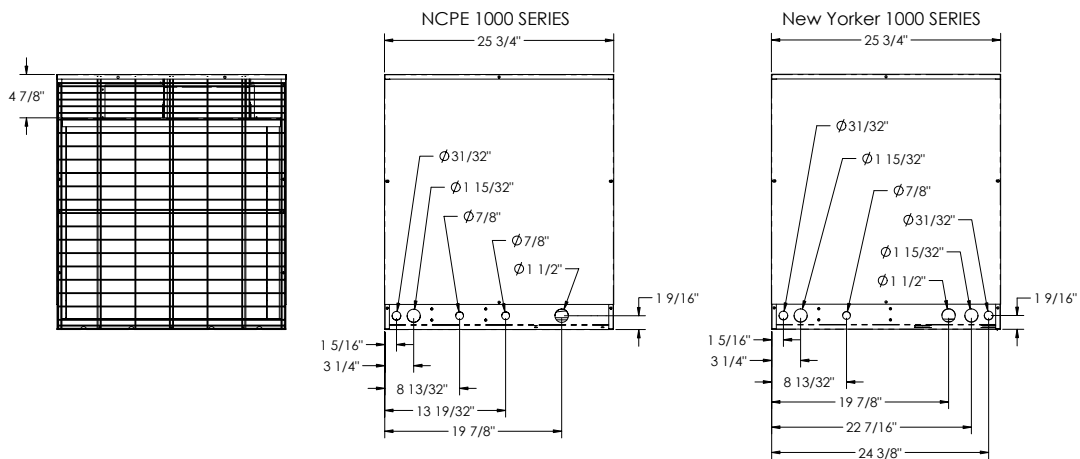
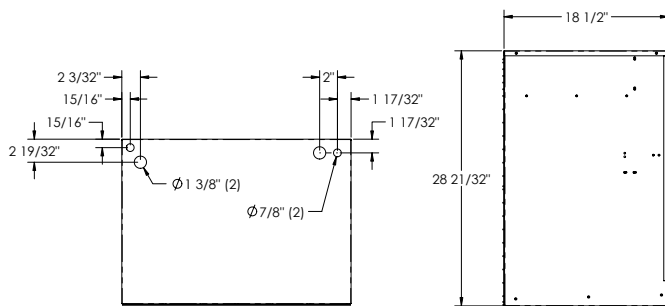
| Plan Designation | Quantity | Part No.    | Description                                                                        | Page |
|------------------|----------|-------------|------------------------------------------------------------------------------------|------|
|                  |          | 1000-WSD-12 | Wall Sleeve, Dimensions 26 7/8" W x 29 5/8" H<br>Rough in at 27 3/8" W x 30 1/8" H | 11   |
|                  |          | 3000-WSD-12 | Wall Sleeve, 24 7/8" W x 33" H<br>Rough in at 25 3/8" W x 33 1/2" H                | 11   |
|                  |          | 4000-WSD-12 | Wall Sleeve, 30 5/8" W x 24" H<br>Rough in at 31 1/8" W x 24 1/2" H                | 11   |
|                  |          | 5000-WSD-12 | Wall Sleeve, 26 7/8" W x 39" H<br>Rough in at 27 3/8" W x 39 1/2" H                | 11   |
|                  |          | 14269035    | 1000 Series Anodized Aluminum<br>Architectural Louver Grille                       | 12   |
|                  |          | 14269036    | 3000 Series Anodized Aluminum<br>Architectural Louver Grille                       | 12   |
|                  |          | 14269037    | 4000 Series Anodized Aluminum<br>Architectural Louver Grille                       | 13   |
|                  |          | 14269038    | 5000 Series Anodized Aluminum<br>Architectural Louver Grille                       | 13   |
|                  |          | 14269035-P  | 1000 Series Painted<br>Architectural Louver Grille                                 | 12   |
|                  |          | 14269036-P  | 3000 Series Painted<br>Architectural Louver Grille                                 | 12   |
|                  |          | 14269037-P  | 4000 Series Painted<br>Architectural Louver Grille                                 | 13   |
|                  |          | 14269038-P  | 5000 Series Painted<br>Architectural Louver Grille                                 | 13   |
|                  |          | 14269035-S  | 1000 Series Anodized Aluminum<br>Architectural Louver Grille to fit sleeve         | 14   |
|                  |          | 14269036-S  | 3000 Series Anodized Aluminum<br>Architectural Louver Grille to fit sleeve         | 14   |
|                  |          | 14269037-S  | 4000 Series Anodized Aluminum<br>Architectural Louver Grille to fit sleeve         | 15   |
|                  |          | 14269038-S  | 5000 Series Anodized Aluminum<br>Architectural Louver Grille to fit sleeve         | 15   |
|                  |          | 14269035-SP | 1000 Series Painted<br>Architectural Louver Grille to fit sleeve                   | 14   |
|                  |          | 14269036-SP | 3000 Series Painted<br>Architectural Louver Grille to fit sleeve                   | 14   |
|                  |          | 14269037-SP | 4000 Series Painted<br>Architectural Louver Grille to fit sleeve                   | 15   |
|                  |          | 14269038-SP | 5000 Series Painted<br>Architectural Louver Grille to fit sleeve                   | 15   |

**NCPE 1000 SERIES-Condensing Unit**

| Performance Data                   |                                                  |                             |                    |                    |
|------------------------------------|--------------------------------------------------|-----------------------------|--------------------|--------------------|
| Models<br>(circle D for Deluxe NY) | Rated Cooling/Heating<br>Outputs (BTUs per hour) | Dimensions                  | Efficiency Ratings | Shipping<br>Weight |
| <b>NCPE-418-1010 /D</b>            | 18,000                                           | 26 1/4" x 28 5/8" x 18 1/2" | 12 SEER            | 180                |
| <b>NCPE-424-1010 /D</b>            | 23,000                                           | 26 1/4" x 28 5/8" x 18 1/2" | 12 SEER            | 180                |
| <b>NCPE-430-1010 /D</b>            | 27,200                                           | 26 1/4" x 28 5/8" x 18 1/2" | 12 SEER            | 180                |

| Electrical Data                                                            |            |      |                  |                      |              |
|----------------------------------------------------------------------------|------------|------|------------------|----------------------|--------------|
| All units 208/230/1 AC 60HZ                                                |            |      |                  |                      |              |
| Evap. Blower Motor 1/3 HP 3.0 FLA - Cond. Fan Motor 1/4 HP 1.8 FLA 3.6 LRA |            |      |                  |                      |              |
| Models                                                                     | Compressor |      | Minimum AWG Wire | Minimum Circuit Amps | Maximum Fuse |
|                                                                            | RLA        | LRA  |                  |                      |              |
| <b>NCPE-418-1010 /D</b>                                                    | 9.0        | 56.3 | 12               | 13                   | 20           |
| <b>NCPE-424-1010 /D</b>                                                    | 10.9       | 62.9 | 10               | 15.3                 | 25           |
| <b>NCPE-430-1010 /D</b>                                                    | 12.8       | 67.8 | 10               | 17.75                | 30           |

- Included with /D New Yorker**
- Crankcase Heater
  - Compressor Sound Cover
  - Sound Proofing Material
  - Start Device
  - Low Ambient Speed Control
  - Time Delay



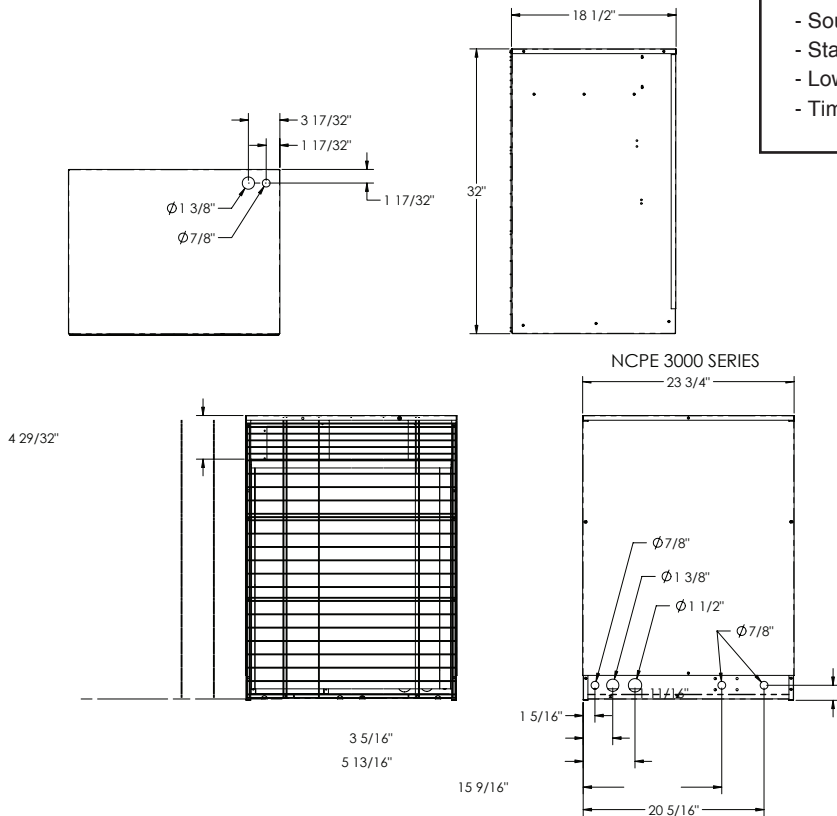
Project:

NCPE 3000 SERIES-Condensing Unit

| Performance Data                   |                                                  |                                               |                    |                    |
|------------------------------------|--------------------------------------------------|-----------------------------------------------|--------------------|--------------------|
| Models<br>(circle D for Deluxe NY) | Rated Cooling/Heating<br>Outputs (BTUs per hour) | Dimensions                                    | Efficiency Ratings | Shipping<br>Weight |
| NCPE-418-3010 /D                   | 18,000                                           | 24 $\frac{1}{8}$ " x 32" x 18 $\frac{1}{2}$ " | 12 SEER            | 180                |
| NCPE-424-3010 /D                   | 23,000                                           | 24 $\frac{1}{8}$ " x 32" x 18 $\frac{1}{2}$ " | 12 SEER            | 180                |
| NCPE-430-3010 /D                   | 27,000                                           | 24 $\frac{1}{8}$ " x 32" x 18 $\frac{1}{2}$ " | 12 SEER            | 180                |

| Electrical Data                                                            |            |      |                  |                      |              |
|----------------------------------------------------------------------------|------------|------|------------------|----------------------|--------------|
| All units 208/230/1 AC 60HZ                                                |            |      |                  |                      |              |
| Evap. Blower Motor 1/3 HP 3.0 FLA - Cond. Fan Motor 1/4 HP 1.8 FLA 3.6 LRA |            |      |                  |                      |              |
| Models                                                                     | Compressor |      | Minimum AWG Wire | Minimum Circuit Amps | Maximum Fuse |
|                                                                            | RLA        | LRA  |                  |                      |              |
| NCPE-418-3010 /D                                                           | 9.0        | 56.3 | 12               | 13                   | 20           |
| NCPE-424-3010 /D                                                           | 10.9       | 62.9 | 10               | 15.3                 | 25           |
| NCPE-430-3010 /D                                                           | 13.5       | 72.5 | 10               | 18.56                | 30           |

- Included with /D New Yorker**
- Crankcase Heater
  - Compressor Sound Cover
  - Sound Proofing Material
  - Start Device
  - Low Ambient Speed Control
  - Time Delay



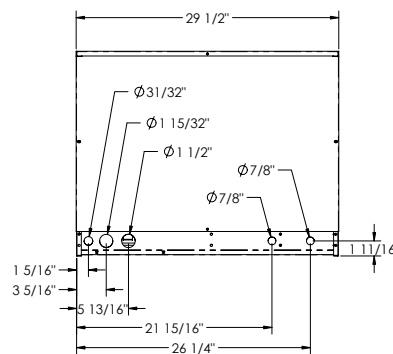
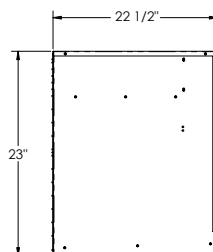
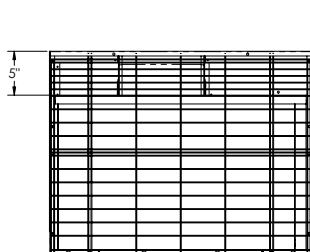
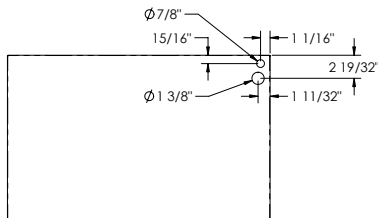
**NCPE 4000 SERIES-Condensing Unit**

| Performance Data                   |                                                  |                  |                    |                    |
|------------------------------------|--------------------------------------------------|------------------|--------------------|--------------------|
| Models<br>(circle D for Deluxe NY) | Rated Cooling/Heating<br>Outputs (BTUs per hour) | Dimensions       | Efficiency Ratings | Shipping<br>Weight |
| NCPE-418-4010 /D                   | 18,000                                           | 30" x 23" x 22½" | 12 SEER            | 180                |
| NCPE-424-4010 /D                   | 23,000                                           | 30" x 23" x 22½" | 12 SEER            | 180                |
| NCPE-430-4010 /D                   | 27,200                                           | 30" x 23" x 22½" | 12 SEER            | 180                |

| Electrical Data                                                            |            |      |                  |                      |              |
|----------------------------------------------------------------------------|------------|------|------------------|----------------------|--------------|
| All units 208/230/1 AC 60HZ                                                |            |      |                  |                      |              |
| Evap. Blower Motor 1/3 HP 3.0 FLA - Cond. Fan Motor 1/4 HP 1.8 FLA 3.6 LRA |            |      |                  |                      |              |
| Models                                                                     | Compressor |      | Minimum AWG Wire | Minimum Circuit Amps | Maximum Fuse |
|                                                                            | RLA        | LRA  |                  |                      |              |
| NCPE-418-4010 /D                                                           | 9.0        | 56.3 | 12               | 13                   | 20           |
| NCPE-424-4010 /D                                                           | 10.9       | 62.9 | 10               | 15.3                 | 25           |
| NCPE-430-4010 /D                                                           | 12.8       | 67.8 | 10               | 17.75                | 30           |

**Included with /D New Yorker**

- Crankcase Heater
- Compressor Sound Cover
- Sound Proofing Material
- Start Device
- Low Ambient Speed Control
- Time Delay



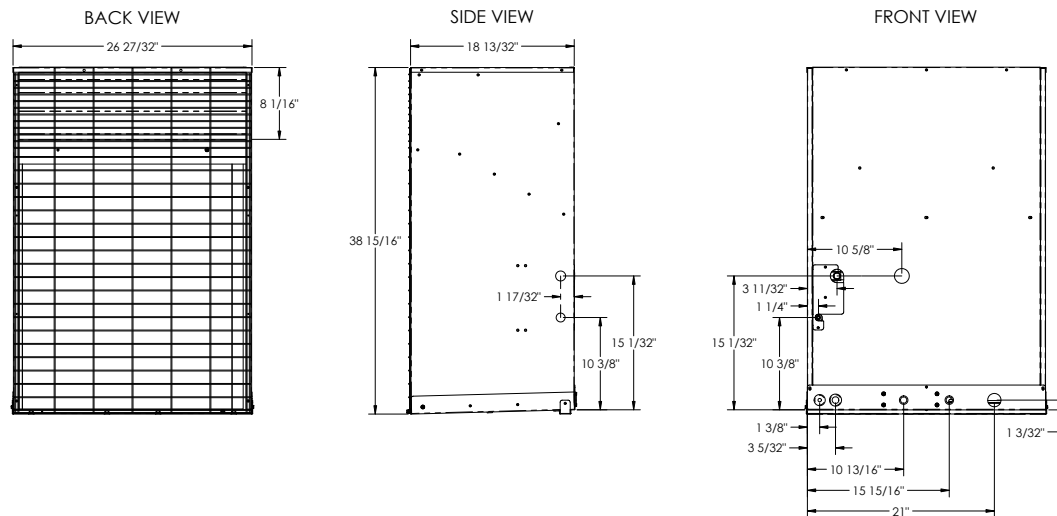
**Project:**

**NCPE 5000 SERIES-Condensing Unit**

| Performance Data                   |                                                  |                                                                                                        |                    |                    |
|------------------------------------|--------------------------------------------------|--------------------------------------------------------------------------------------------------------|--------------------|--------------------|
| Models<br>(circle D for Deluxe NY) | Rated Cooling/Heating<br>Outputs (BTUs per hour) | Dimensions                                                                                             | Efficiency Ratings | Shipping<br>Weight |
| <b>NCPE-418-5010</b>               | 18,400                                           | 26 <sup>7</sup> / <sub>8</sub> " x 38 <sup>7</sup> / <sub>8</sub> " x 18 <sup>1</sup> / <sub>2</sub> " | 14 SEER*           | 180                |
| <b>NCPE-424-5010</b>               | 24,200                                           | 26 <sup>7</sup> / <sub>8</sub> " x 38 <sup>7</sup> / <sub>8</sub> " x 18 <sup>1</sup> / <sub>2</sub> " | 14 SEER*           | 180                |
| <b>NCPE-436-5010</b>               | 28,400                                           | 26 <sup>7</sup> / <sub>8</sub> " x 38 <sup>7</sup> / <sub>8</sub> " x 18 <sup>1</sup> / <sub>2</sub> " | 14 SEER*           | 180                |

\*Up to 14 SEER when matched with NCPAH-M Series Air Handlers

| Electrical Data - NCPE Models                                              |            |      |                  |                      |              |
|----------------------------------------------------------------------------|------------|------|------------------|----------------------|--------------|
| All units 208/230/1 AC 60HZ                                                |            |      |                  |                      |              |
| Evap. Blower Motor 1/3 HP 3.0 FLA - Cond. Fan Motor 1/4 HP 1.8 FLA 3.6 LRA |            |      |                  |                      |              |
| Models                                                                     | Compressor |      | Minimum AWG Wire | Minimum Circuit Amps | Maximum Fuse |
|                                                                            | RLA        | LRA  |                  |                      |              |
| <b>NCPE-418-5010</b>                                                       | 9.0        | 56.3 | 12               | 13.47                | 20           |
| <b>NCPE-424-5010</b>                                                       | 10.3       | 61.6 | 12               | 15.13                | 20           |
| <b>NCPE-430-5010</b>                                                       | 13.50      | 72.5 | 10               | 19.08                | 30           |

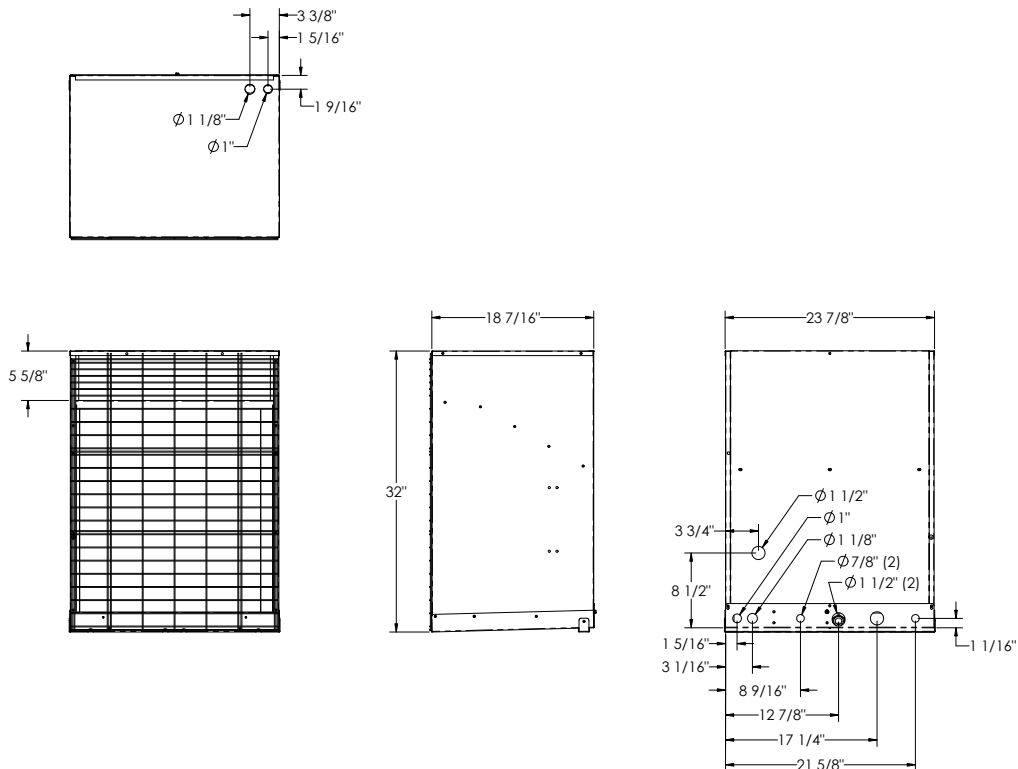


**Project:**

**NHPA 3000 SERIES-Heat Pump**

| Performance Data     |                                       |                                       |                                               |                     |                 |
|----------------------|---------------------------------------|---------------------------------------|-----------------------------------------------|---------------------|-----------------|
| Models               | Rated Cooling Outputs (BTUs per hour) | Rated Heating Outputs (BTUs per hour) | Dimensions                                    | Efficiency Ratings  | Shipping Weight |
| <b>NHPA-418-3019</b> | 18,000                                | @ 47°F - 16,100                       | 24 $\frac{1}{8}$ " x 32" x 18 $\frac{1}{2}$ " | 12 SEER<br>7.4 HSPF | 180             |
|                      |                                       | @ 35°F - 13,300                       |                                               |                     |                 |
|                      |                                       | @ 17°F - 9,900                        |                                               |                     |                 |
| <b>NHPA-424-3019</b> | 23,000                                | @ 47°F - 19,000                       | 24 $\frac{1}{8}$ " x 32" x 18 $\frac{1}{2}$ " | 12 SEER<br>7.4 HSPF | 180             |
|                      |                                       | @ 35°F - 15,200                       |                                               |                     |                 |
|                      |                                       | @ 17°F - 11,400                       |                                               |                     |                 |

| Electrical Data                                                            |            |      |                  |                      |              |
|----------------------------------------------------------------------------|------------|------|------------------|----------------------|--------------|
| All units 208/230/1 AC 60HZ                                                |            |      |                  |                      |              |
| Evap. Blower Motor 1/3 HP 3.0 FLA - Cond. Fan Motor 1/4 HP 1.8 FLA 3.6 LRA |            |      |                  |                      |              |
| Models                                                                     | Compressor |      | Minimum AWG Wire | Minimum Circuit Amps | Maximum Fuse |
|                                                                            | RLA        | LRA  |                  |                      |              |
| <b>NHPA-418-3019</b>                                                       | 9.0        | 56.3 | 12               | 13                   | 20           |
| <b>NHPA-424-3019</b>                                                       | 10.9       | 62.9 | 10               | 15.3                 | 25           |



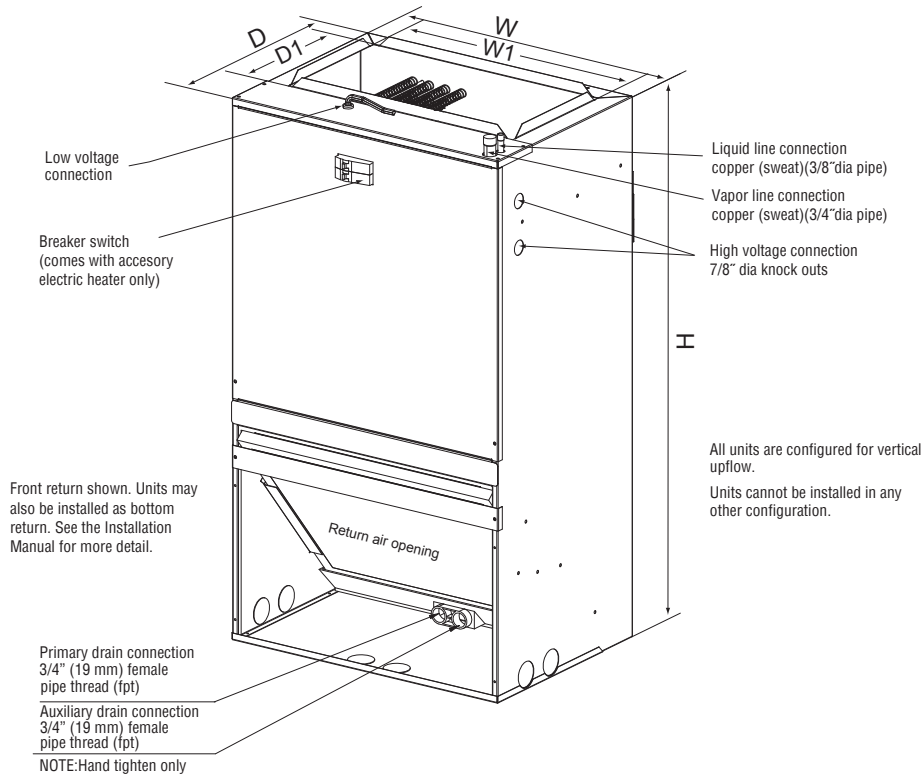


**Project:**

Apartment Air Handler NCPAH-A Series

| Performance Data              |             |             |             |      |          |            |                    |     |     |     |                  |
|-------------------------------|-------------|-------------|-------------|------|----------|------------|--------------------|-----|-----|-----|------------------|
| All units 208/230V 1 Ph 60 Hz |             |             |             |      |          |            |                    |     |     |     |                  |
| Model                         | Nominal BTU | Size (TONS) | Nominal CFM |      | Motor HP | Motor RPMS | Indoor Sound dB(A) | MCA | MOP | FLA | Filter Size Inch |
| <b>NCPAH-24-A</b>             | 24,000      | 2 Ton       | 600         | 900  | 1/3      | 1050       | 49                 | 2.4 | 15  | 1.9 | 16" x 20"        |
| <b>NCPAH-36-A</b>             | 36,000      | 3 Ton       | 900         | 1350 | 1/2      | 1050       | 54                 | 3.4 | 15  | 2.7 | 20" x 20"        |

| Dimensional Data  |                      |               |               |           |              |              |             |                                                |
|-------------------|----------------------|---------------|---------------|-----------|--------------|--------------|-------------|------------------------------------------------|
| Model             | Dimensions inch (mm) |               |               |           |              |              |             | Unit Weight/<br>Shipping Weight<br>(LBS, [kg]) |
|                   | H                    | W             | W1            | D         | D1           | Flow Control | Line Sizes  |                                                |
| <b>NCPAH-24-A</b> | 36-1/2" (928)        | 20-1/2" (521) | 17-4/5" (452) | 15" (381) | 9-1/2" (242) | TXV          | 3/8" & 3/4" | 88/99 (40/45)                                  |
| <b>NCPAH-36-A</b> | 39-1/2" (1004)       | 22" (559)     | 18-3/4" (477) | 19" (483) | 9-1/2" (242) | TXV          | 3/8" & 3/4" | 110/121 (50/55)                                |



**Project:**

**Multi-Position Air Handler NCPAH-M Series**

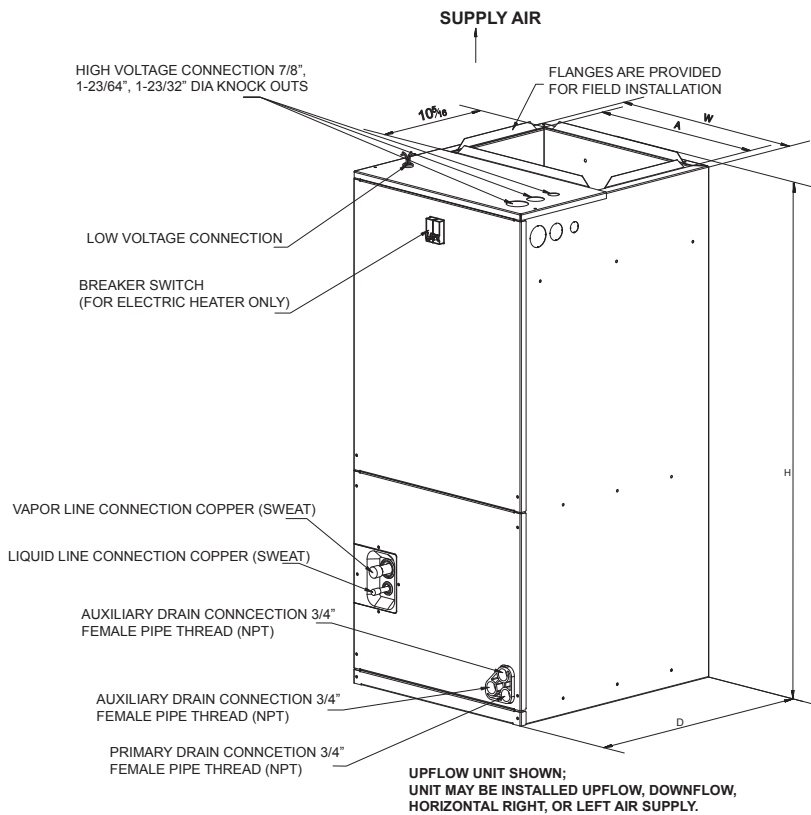
**Performance Data**

All units 208/230V 1 Ph 60 Hz

| Model             | Nominal BTU | Size (TONS) | Nominal CFM |      | Motor HP | Motor RPMS | Indoor Sound dB(A) | MCA | MOP | FLA | Filter Size Inch |
|-------------------|-------------|-------------|-------------|------|----------|------------|--------------------|-----|-----|-----|------------------|
| <b>NCPAH-24-M</b> | 24,000      | 2 Ton       | 600         | 900  | 1/3      | 1050       | 63                 | 3.5 | 15  | 2.8 | 18" x 20"        |
| <b>NCPAH-36-M</b> | 36,000      | 3 Ton       | 1000        | 1350 | 1/2      | 1050       | 65                 | 5.1 | 15  | 4.1 | 20" x 22"        |

**Dimensional Data**

| Model             | Dimensions inch |         |         |         |              |             | Unit Weight/ Shipping Weight (LBS) |
|-------------------|-----------------|---------|---------|---------|--------------|-------------|------------------------------------|
|                   | H               | W       | D       | A       | Flow Control | Line Sizes  |                                    |
| <b>NCPAH-24-M</b> | 46-1/2"         | 19-5/8" | 21-5/8" | 18"     | TXV          | 3/8" & 3/4" | 119/132                            |
| <b>NCPAH-36-M</b> | 54-1/2"         | 22"     | 24"     | 19-1/2" | TXV          | 3/8" & 3/4" | 161/178                            |



**Project:**

**Wall Sleeve**

**1000 -WSD-12**

26  $\frac{7}{8}$ " W x 29  $\frac{5}{8}$ " H

Rough in at 27  $\frac{3}{8}$ " W x 30  $\frac{1}{8}$ " H

**3000 -WSD-12**

24  $\frac{7}{8}$ " W x 33" H

Rough in at 25  $\frac{3}{8}$ " W x 33  $\frac{1}{2}$ " H

**4000 -WSD-12**

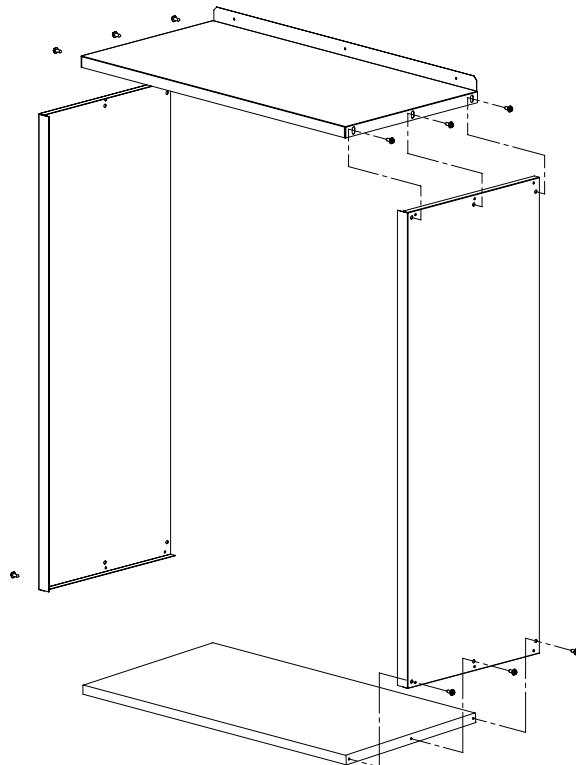
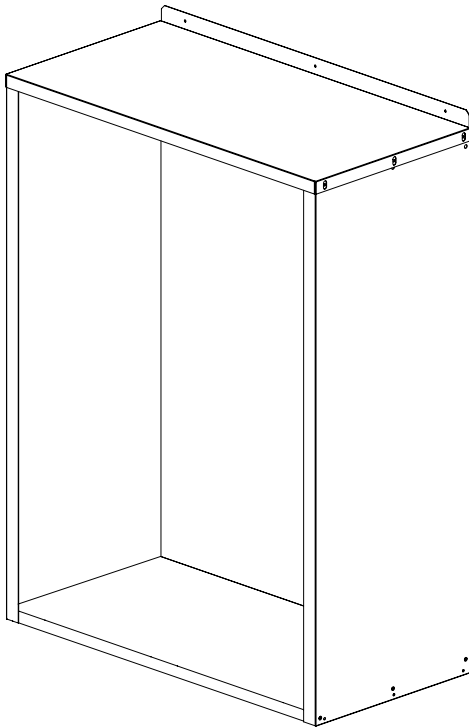
30  $\frac{5}{8}$ " W x 24" H

Rough in at 31  $\frac{1}{8}$ " W x 24  $\frac{1}{2}$ " H

**5000 -WSD-12**

28" W x 39  $\frac{7}{8}$ " H

Rough in at 28  $\frac{1}{2}$ " W x 40  $\frac{3}{8}$ " H

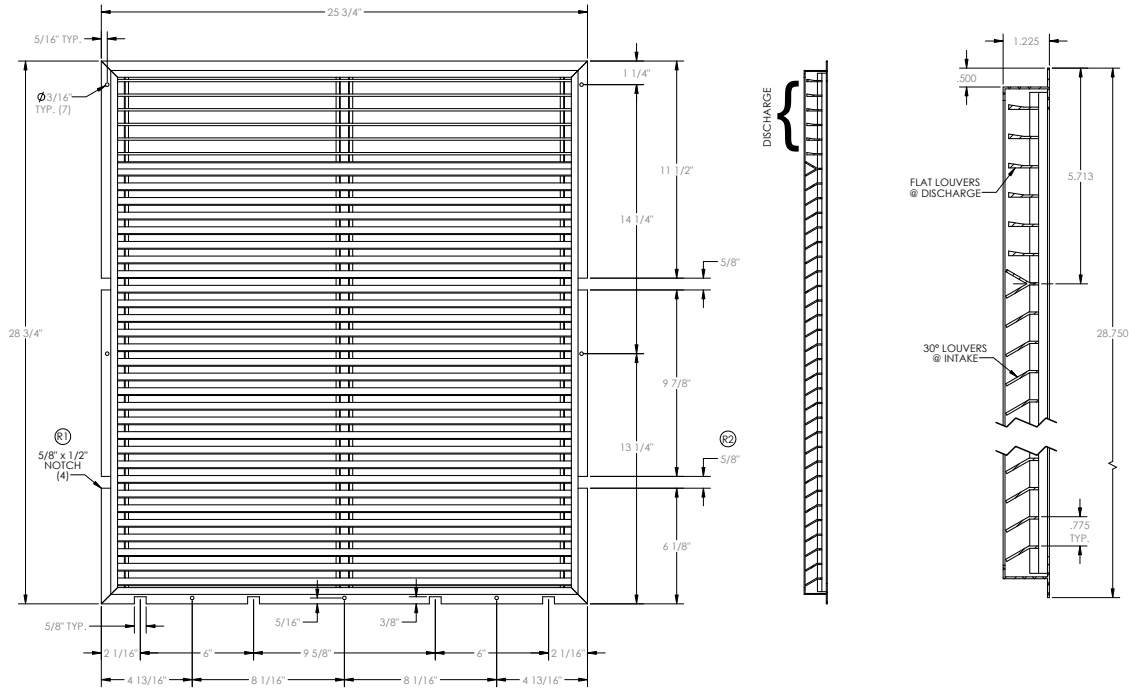


**Project:**

**Architectural Louver Grilles**

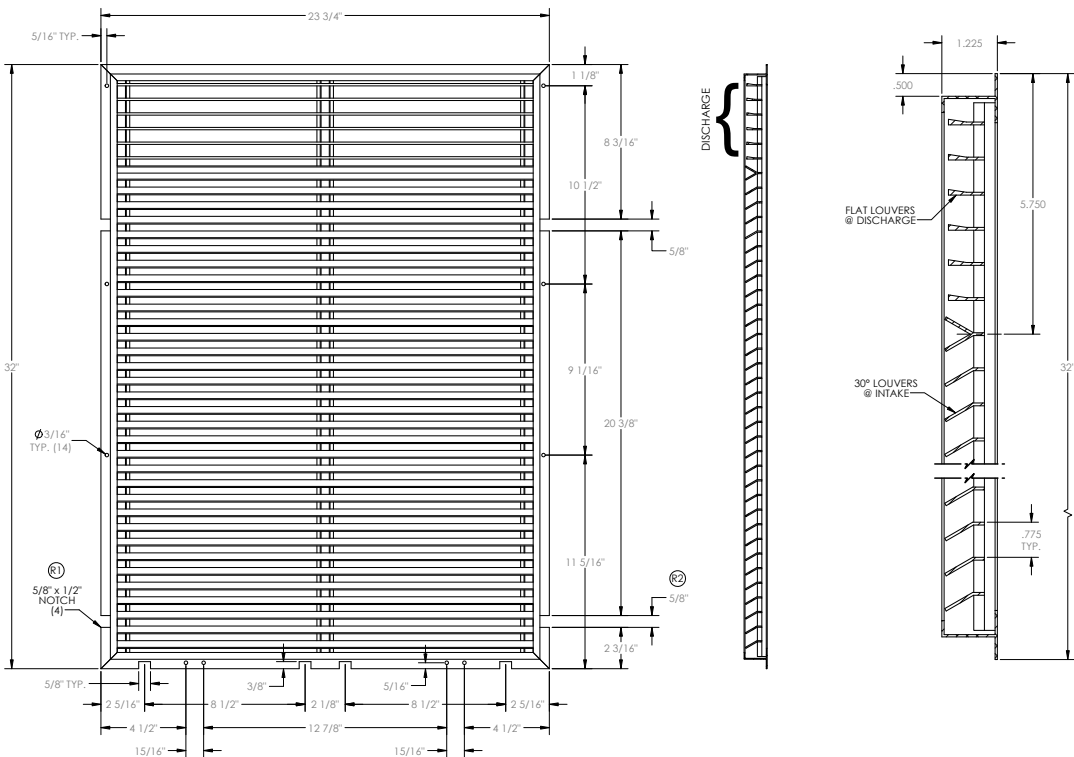
**14269035 (1000)** (anodized aluminum finish)

**14269035-P (1000)** (painted finish)



**14269036 (3000)** (anodized aluminum finish)

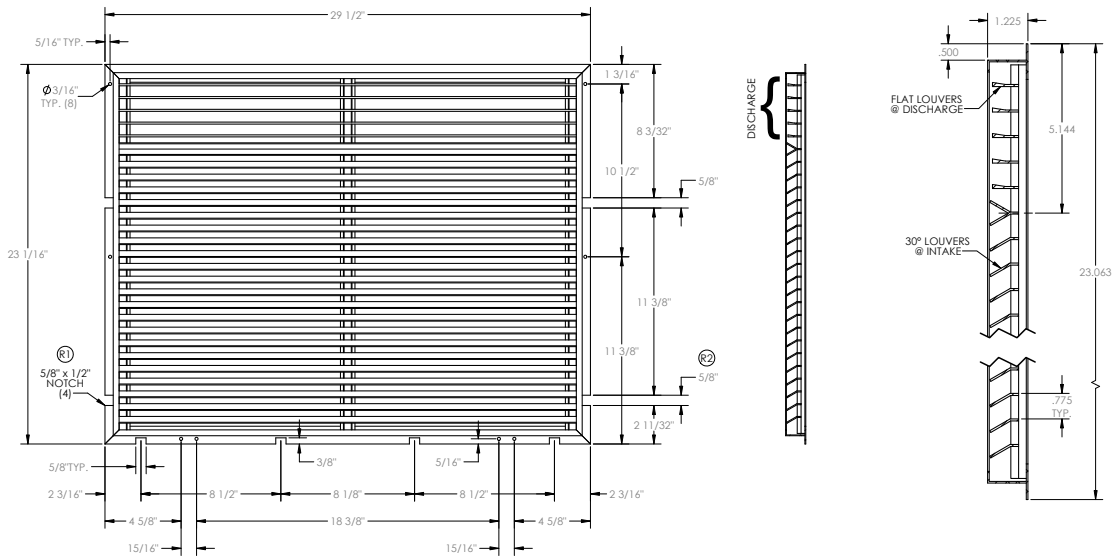
**14269036-P (3000)** (painted finish)



**Architectural Louver Grilles**

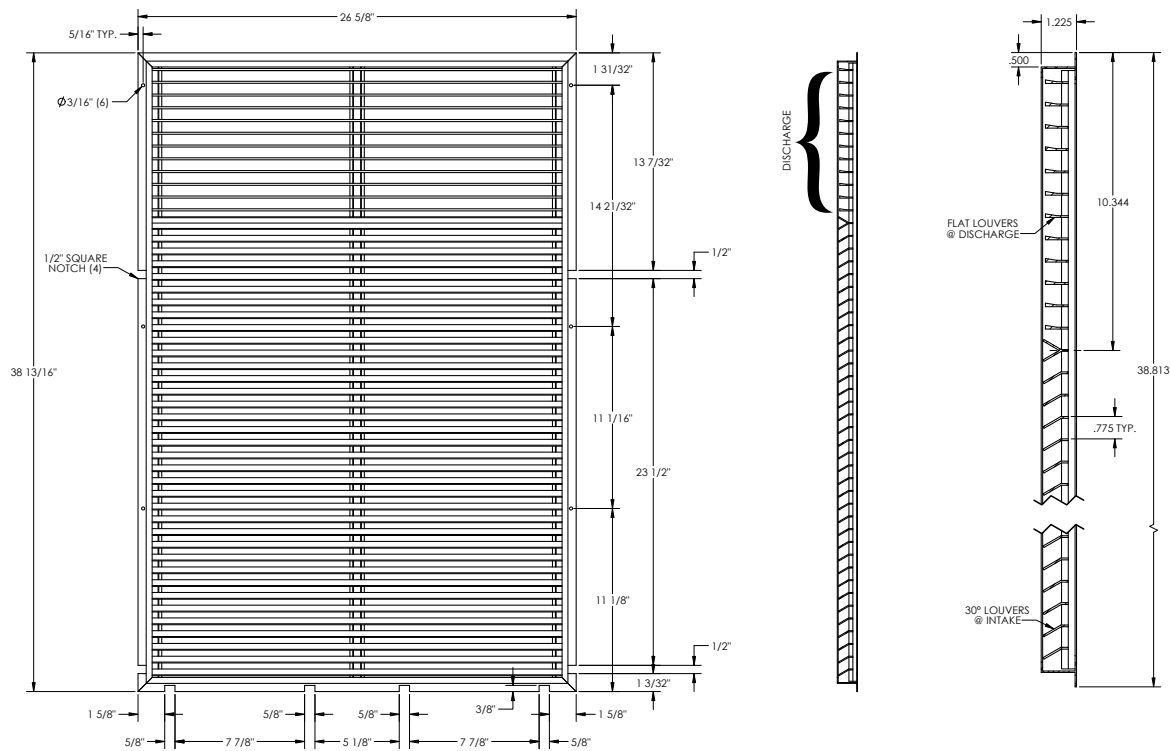
**14269037 (4000)** (anodized aluminum finish)

**14269037-P (4000)** (painted finish)



**14269038 (5000)** (anodized aluminum finish)

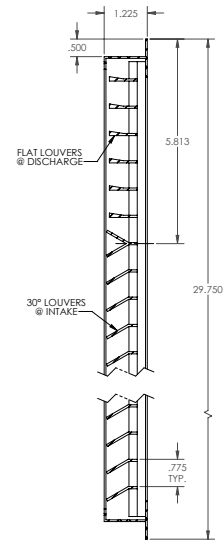
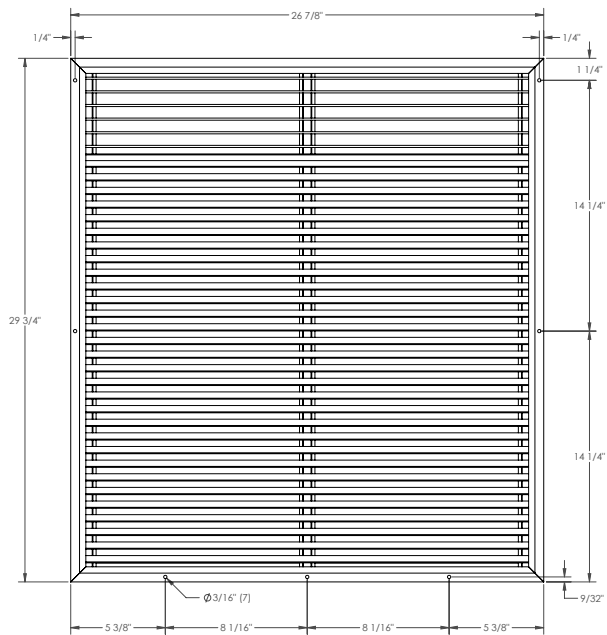
**14269038-P (5000)** (painted finish)



Architectural Louver Grilles to fit sleeve

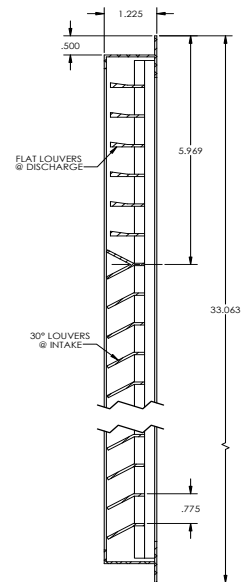
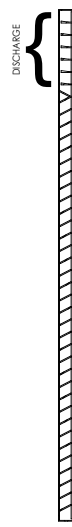
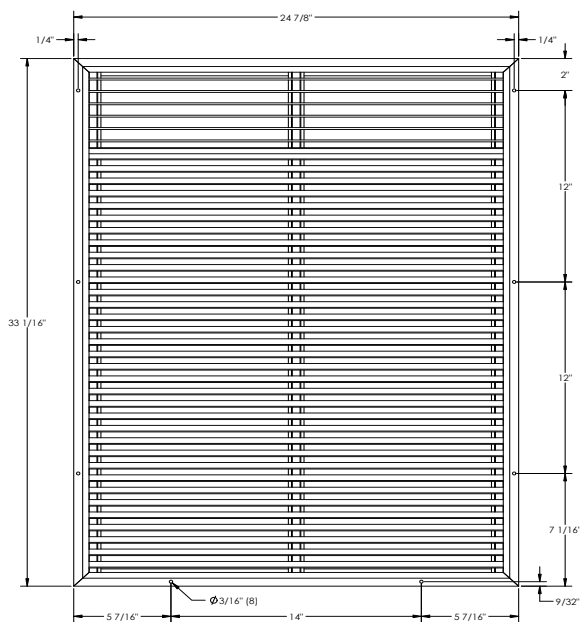
**14269035-S (1000)** (anodized aluminum finish)

**14269035-SP (1000)** (painted finish)



**14269036-S (3000)** (anodized aluminum finish)

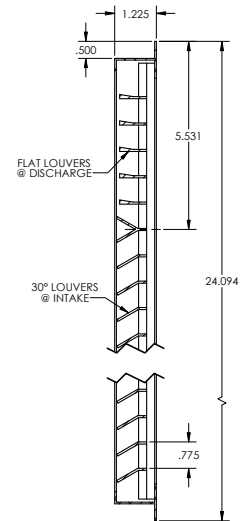
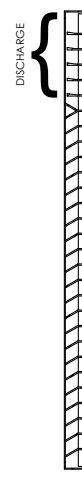
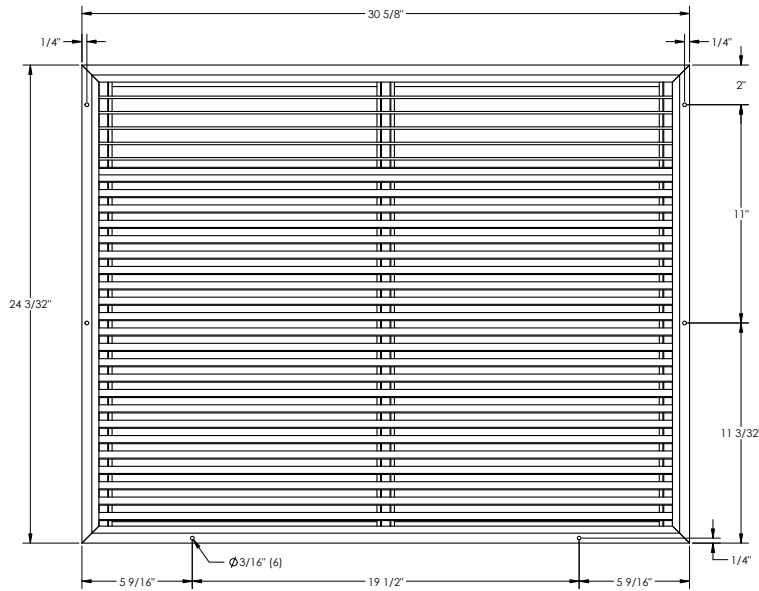
**14269036-SP (3000)** (painted finish)



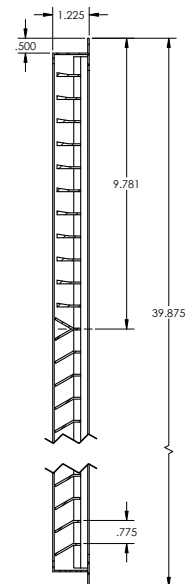
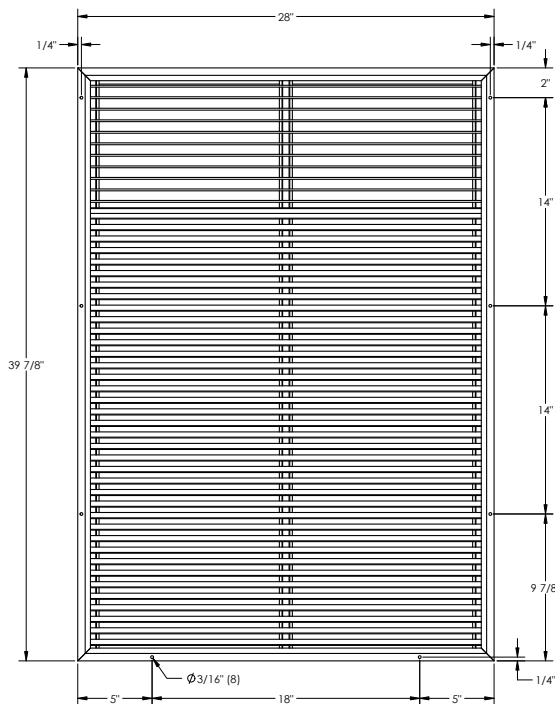
**Project:**

Architectural Louver Grilles to fit sleeve

- 14269037-S (4000) (anodized aluminum finish)
- 14269037-SP (4000) (painted finish)



- 14269038-S (5000) (anodized aluminum finish)
- 14269038-SP (5000) (painted)



# Notes

---

---

---

---

---

---

---

---

---

---

---

---

---

---

---

---

---

---

---

---

---

---

---

Air Handler Warranty



Condensing Unit & Heat Pump Warranty

