

Job Name	Location		
Purchaser	Engineer		
Submitted to	Reference	Approval	Construction
Unit Designation	Schedule #		

WBMF-9/12/18
 WBMF-24/36

The WBMF-9/12/18 wind shield/baffle is designed to fit onto the following Samsung outdoor models:

- Max Series: AQX09VFUAGM, AQX12VFUAGM, AQX18VFUAGM
- Whisper Series: AR09HSFHWKX, AR12HSFHWKX, AR18HSFHWKX
- Free Joint Multi (FJM): MH050FXCA2A

WBMF-24/36 wind shield/baffle is designed to fit onto the following Samsung outdoor models:

- Max Series: AQX24VFUAGM, AQX36FUAGM (requires 2)
- Whisper Series: AR18HSFHWKX, AR18HSFHWKX
- 4-Way Cassette (CH) / MSP Duct (DH): UH070CAV1, UH105CAV (requires 2), UH140CAV (requires 2)
- Free Joint Multi (FJM): MH080FXCA4A

AQX09VFUAGM, AQX12VFUAGM, AQX18VFUAGM, AR09HSFHWKX, AR12HSFHWKX, AR18HSFHWKX, AR24HSFHWKX, MH050FXCA2A, and MH080FXCA4A outdoor unit models will use one shield only.

AQX36VFUAGM, UH105CAV, and UH140CAV outdoor unit's will require 2 wind shields (must purchase 2).

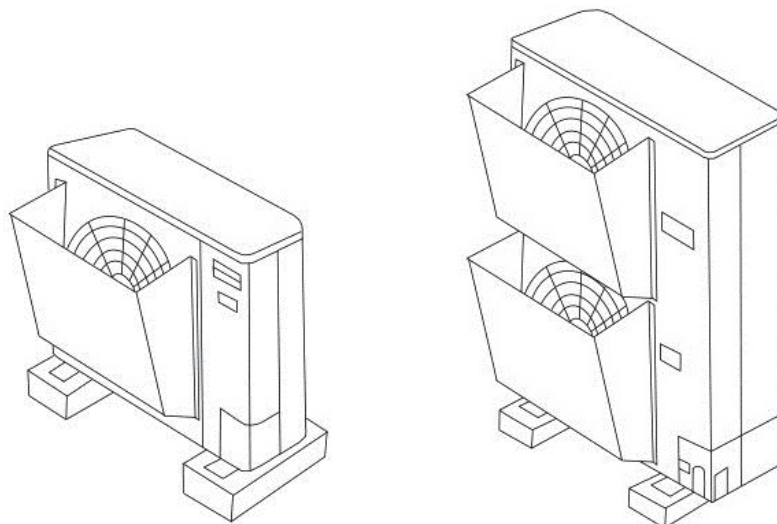
Designed to be placed on fan discharge side (front).

Note: Only a front shield is required for applications where the mini split is adjacent to a structure that would protect the intake side from prevailing wind. Applications without this protection would require a back shield (ex: roof top).

CONTENTS INCLUDED (WBMF-9/12/18): 2 side panels, 1 top/outer panel, 6 sheet metal screws, 6 washers, 6 spacers, 8 female fasteners, 8 male fasteners, and 1 tube thread locker.

CONTENTS INCLUDED (WBMF-24/36): 2 side panels, 1 top/outer panel, 8 sheet metal screws, 8 washers, 8 spacers, 8 female fasteners, 8 male fasteners, and 1 tube thread locker.

Material: clear plastic



Example: AQX 09/12/18/24 VFUAGM

Example: AQX36VFUAGM

