

# ASPEN CATALOG

EVAPORATOR COILS  
LIGHT COMMERCIAL COILS  
AIR HANDLERS  
MANUFACTURED HOME PRODUCTS  
A2L READINESS

SCAN TO VISIT



[www.aspenmfg.com](http://www.aspenmfg.com)

ASK FOR ASPEN

**50**  
YEARS OF  
ASPEN

Since 1975, Aspen Manufacturing has been committed to delivering quality, trust, and reliability in every product we create. From our factory floor to your home or business, our team of HVAC industry leaders ensures energy-efficient solutions built to the highest standards.

[WWW.ASPENMFG.COM](http://WWW.ASPENMFG.COM)



WWW.ASPENMFG.COM



FOR PEAK PERFORMANCE AND A2L READINESS,  
**ALWAYS ASK FOR ASPEN**

*Trusted by HVAC professionals since 1975.*



## ASPEN IS A2L REFRIGERANT-READY!

- **Enhanced Coil and Air Handler Designs** for superior performance.
- **High-Efficiency Coils** engineered to outperform with all refrigerants.
- **Factory-Ready A2L Coils and Air Handlers** equipped with R-454B and R-32 detection and mitigation systems.
- **A2L Field-Installed Kits** available for Air Handlers, Cased, and Uncased Coils.

**50** YEARS OF  
**ASPEN**

**ASK YOUR ASPEN SALES TEAM  
ABOUT OUR A2L PRODUCTS**



# PRODUCT CATALOG

## TABLE OF CONTENTS

### NOMENCLATURE

ABOUT US .....	5
ASPEN UNIVERSAL SERIAL NUMBER NOMENCLATURE .....	7
METERING DEVICE SELECTION MATRIX .....	8
ASPEN UNIVERSAL COIL NOMENCLATURE .....	10
ASPEN UNIVERSAL AIR HANDLER NOMENCLATURE .....	11
ELECTRIC & HYDRONIC HEAT KIT NOMENCLATURE .....	12
ACCESS PANELS GUIDE - WAD/MAD/CAD .....	13

### ASPEN RESIDENTIAL COILS

#### SLAB HORIZONTAL COILS

BHAL SERIES SLAB HIGH/LOW HORIZONTAL COIL .....	16
CH SERIES COPPER SLAB HORIZONTAL COIL .....	17

#### COPPER UPFLOW/DOWNFLOW COILS

CA SERIES UNCASSED UPFLOW/DOWNFLOW COIL .....	19
CC SERIES CASSED UPFLOW/DOWNFLOW COIL .....	21

#### COPPER MULTI-POSITION COILS

CE SERIES CASSED MULTI-POSITION COIL .....	23
--	----

#### COPPER DEDICATED HORIZONTAL COILS

CR SERIES DEDICATED HORIZONTAL PLENUM COIL W/ BUILT-IN AUX. DRAIN PAN .....	25
CP SERIES DEDICATED HORIZONTAL COIL .....	27
CX SERIES DEDICATED HORIZONTAL COIL .....	30

#### ALUMINUM UPFLOW/DOWNFLOW COILS

DA SERIES UNCASSED UPFLOW/DOWNFLOW COIL .....	32
DC SERIES CASSED UPFLOW/DOWNFLOW COIL .....	34
DC SERIES CASSED UPFLOW/DOWNFLOW HIGH-EFFICIENCY COIL .....	36

#### ALUMINUM MULTI-POSITION COILS

DE SERIES CASSED MULTI-POSITION COIL .....	38
DE SERIES CASSED MULTI-POSITION HIGH-EFFICIENCY COIL .....	40

#### ALUMINUM DEDICATED HORIZONTAL COILS

DR SERIES DEDICATED HORIZONTAL PLENUM COIL W/ BUILT-IN AUX. DRAIN PAN .....	42
DP SERIES DEDICATED HORIZONTAL COIL .....	44
DX SERIES DEDICATED HORIZONTAL COIL .....	47

### ASPEN LIGHT COMMERCIAL COILS

#### LIGHT COMMERCIAL COILS

CC SERIES LIGHT COMMERCIAL COPPER CASSED UPFLOW COIL .....	49
BH SERIES LIGHT COMMERCIAL SLAB HORIZONTAL MULTI-POSITION ELECTRIC HEAT COIL .....	51

### ASPEN AIR HANDLERS

#### COPPER COIL ELECTRIC HEAT AIR HANDLERS

AAC SERIES CEILING MOUNT ELECTRIC HEAT AIR HANDLER .....	53
AEC SERIES CEILING MOUNT ELECTRIC HEAT AIR HANDLER .....	56
AAW SERIES VERTICAL WALL MOUNT ELECTRIC HEAT AIR HANDLER .....	60
AEW SERIES VERTICAL WALL MOUNT ELECTRIC HEAT AIR HANDLER .....	65
AEM SERIES VARIABLE SPEED MULTI-POSITION ELECTRIC HEAT AIR HANDLER .....	71
AEL SERIES MULTI-POSITION HIGH-EFFICIENCY ELECTRIC FURNACE .....	75



# PRODUCT CATALOG

## TABLE OF CONTENTS

### ALUMINUM COIL ELECTRIC HEAT AIR HANDLERS

LEW SERIES VERTICAL WALL MOUNT ELECTRIC HEAT AIR HANDLER .....	78
LAM SERIES MULTI-POSITION, HIGH-EFFICIENCY ELECTRIC HEAT AIR HANDLER .....	83
LEM SERIES MULTI-POSITION, HIGH-EFFICIENCY ELECTRIC HEAT AIR HANDLER .....	87
LGM SERIES MULTI-POSITION, HIGH-EFFICIENCY ELECTRIC HEAT AIR HANDLER .....	93

### COPPER COIL HYDRONIC HEAT AIR HANDLERS

AAM SERIES MULTI-POSITION HYDRONIC HEAT AIR HANDLER .....	98
ABW SERIES WALL MOUNT HYDRONIC HEAT AIR HANDLER .....	102
AFW SERIES WALL MOUNT HYDRONIC HEAT AIR HANDLER .....	105
ABM SERIES MULTI-POSITION HYDRONIC HEAT AIR HANDLER .....	109
AFM SERIES MULTI-POSITION HIGH-EFFICIENCY X13 HYDRONIC HEAT AIR HANDLER.....	114
AFL SERIES MULTI-POSITION HIGH-EFFICIENCY HYDRONIC FURNACE .....	118

### MANUFACTURED HOUSING PRODUCTS

#### COILS FOR USE WITH MANUFACTURED HOME FURNACE

CM SERIES COPPER UNCASSED UPFLOW/DOWNFLOW COILS FOR USE W/ MFD HOME FURNACE .....	122
DM SERIES ALUMINUM UNCASSED UPFLOW/DOWNFLOW COILS FOR USE W/ MFD HOME FURNACE .....	124

#### MANUFACTURED HOME ELECTRIC FURNACE

AED/AEU SERIES UPFLOW/DOWNFLOW CONVERTIBLE MFD HOME ELECTRIC FURNACE .....	126
AEN SERIES UPFLOW/DOWNFLOW MFD HOME ELECTRIC FURNACE .....	130

### ASPENPRO DX COOL AIR HANDLERS

#### ELECTRIC HEAT AIR HANDLERS

PAW/PEW SERIES VERTICAL MOUNT ELECTRIC HEAT AIR HANDLER .....	133
PES/PET SERIES CEILING MOUNT HIGH-EFFICIENCY ECM ELECTRIC HEAT AIR HANDLER .....	143
PAS/PAT SERIES CEILING MOUNT ELECTRIC HEAT AIR HANDLER .....	148
RES/RET SERIES CEILING MOUNT ECM ELECTRIC HEAT AIR HANDLER .....	152

#### HYDRONIC HEAT AIR HANDLERS

PFS/PFT SERIES CEILING MOUNT HIGH EFFICIENCY ECM HYDRONIC HEAT AIR HANDLER .....	156
PBS/PBT SERIES CEILING MOUNT HYDRONIC HEAT AIR HANDLER .....	160

### ASPEN ACCESSORIES

A2L REFRIGERANT DETECTION SYSTEM KIT .....	164
--	-----

### ORDERING REFERENCE MATERIALS

YOUR ASPEN SALES TEAM .....	166
ORDERING INFORMATION.....	167
TERMS & CONDITIONS .....	169
CABINET COLOR SELECTION GUIDE .....	171



# ABOUT US

## WHY OUR CUSTOMERS ASK FOR ASPEN

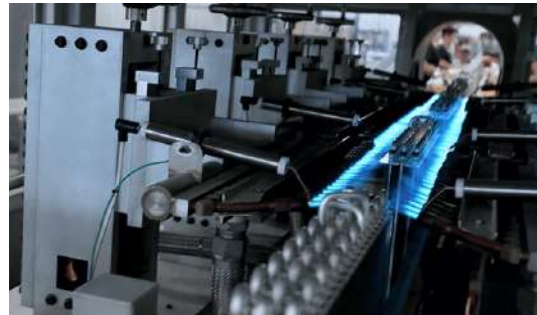


Aspen Manufacturing is one of the largest independent evaporator coil and air handler manufacturers for the heating, ventilation, and air conditioning (HVAC) industry. As a recognized leader in product quality and indoor comfort, Aspen has continued to deliver on its promise of world-class performance since 1975.

Aspen manufactures products under the Aspen, Aspen Pro, and AirMark brands with unparalleled value. All products are designed, engineered, and manufactured in the United States with a commitment to utilizing a US supply chain where possible. The company's product offering includes a broad range of high-quality residential and light commercial evaporator coils, blowers, and air handling units for multi-family, single-family residential, and manufactured homes.

### QUALITY COMPLIANCE

Aspen units are AHRI Certifiable (210/240) with all major brands of HVAC equipment. In addition, Aspen products are compliant with UL 1995 4th edition safety requirements. All raw metal, plastic, and paint materials comply with the ASTM standards. Beyond technical compliance, Aspen can quickly adapt to changing market demands thanks to the company's nimble ability to react to changes in requirements and leadership's commitment to enabling a customer-centered company philosophy.



### PRODUCT QUALITY

The company relies on rigorous quality control measures to ensure the delivery of energy-efficient products designed and built to the highest standards. Aspen provides its customers with thousands of product options, including OEM matching painted or embossed unpainted cabinets. When you choose Aspen, you get coils with an exact furnace fit explicitly manufactured to customer specifications. Even though Aspen is one of the largest independent coil manufacturers, the company readily provides custom-fit flexibility as part of its customer-centric philosophy.



### CUSTOMER ENGAGEMENT

Aspen employs a professional network of local sales agents focused on personal, knowledgeable service before, during, and after the sale. In addition, factory technical support and services are available to all customers. A variety of customized loyalty programs are available to customers designed specifically to meet any special needs or requirements.


### QUALITY ASSURANCE

Aspen customers benefit from the following features.

- 100% of coils are pressure tested
- 100% of air handlers are run-tested at the factory
- DX coil and hydronic heating coils include an Industry-exclusive liquid line Schrader valve provided for 'hiss test'
- Select units are shipped with an up to 60 psi dry holding charge
- 10-Year hassle-free Limited Warranty on Residential C and D series coils and Aspen multi-position and Wall mount air handlers with registration
- 5-Year Parts Limited Warranty backs Light Commercial and Manufactured Housing units







**US MADE**  
**SERVING THE US & CANADA**  
**INNOVATION LEADER**  
**UNMATCHED PERFORMANCE**

**OEM MATCHED**  
**RATINGS**

**AHR CERTIFIED**

# UNIVERSAL SERIAL NUMBER NOMENCLATURE

**A**

**00**

**- 12345**

①

②

③

③ SEQUENTIAL SERIAL NUMBER \_\_\_\_\_

②

**YEAR CODE**

<b>00</b> = 2000	<b>06</b> = 2006	<b>12</b> = 2012	<b>18</b> = 2006	<b>24</b> = 2024
<b>01</b> = 2001	<b>07</b> = 2007	<b>13</b> = 2013	<b>19</b> = 2019	<b>25</b> = 2025
<b>02</b> = 2002	<b>08</b> = 2008	<b>14</b> = 2014	<b>20</b> = 2020	
<b>03</b> = 2003	<b>09</b> = 2009	<b>15</b> = 2015	<b>21</b> = 2021	
<b>04</b> = 2004	<b>10</b> = 2010	<b>16</b> = 2016	<b>22</b> = 2022	
<b>05</b> = 2005	<b>11</b> = 2011	<b>17</b> = 2017	<b>23</b> = 2023	

①

**MONTH CODE**

<b>A</b> = JANUARY	<b>D</b> = APRIL	<b>G</b> = JULY	<b>K</b> = OCTOBER
<b>B</b> = FEBRUARY	<b>E</b> = MAY	<b>H</b> = AUGUST	<b>L</b> = NOVEMBER
<b>C</b> = MARCH	<b>F</b> = JUNE	<b>J</b> = SEPTEMBER	<b>M</b> = DECEMBER



**DRAIN PAN TEMPERATURE TABLE**

DRAIN PAN TYPE	TEMP LIMITS
Plastic - Standard	290°
Plastic - High Temp	425°
Metal - High Temp	600°

# METERING DEVICE SELECTION MATRIX NOMENCLATURE

TXV SELECTION - RESIDENTIAL						
Tonnage	Refrigerant	AC or HP	20% Bleed Port	TXV Kit	Aspen Part No.	Ordering Nomenclature
						"C/D" coils, "A/L" AH's
1.5 - 2.0	R-410A	Both	NO	X5-3	4200	4
2.5 - 3.5				X5-4	4201	
4.0 - 5.0				X5-5	4202	
1.5 - 3.0	R-22		YES	X6-3	4203	6
3.5 - 5.0				X6-5	4204	
1.5 - 3.0				X3-3	4044	
3.5 - 5.0	NO	X3-5	4050			
1.5 - 3.0		X2-3	4190	X		
3.5 - 5.0		X2-5	4195			

\*Adjustable Valve

TXV SELECTION - A2L REFRIGERANTS						
Tonnage	Refrigerant	AC or HP	20% Bleed Port	TXV Kit	Aspen Part No.	Ordering Nomenclature
						"C/D" coils, "A/L" AH's
1.5 - 3	R-454B	Both	YES	X454-BS	70002	K
	R-32		NO	X454S	70011	J
3.5 - 5			R-454B	YES	X454-BL	70005
	NO			X454L	70012	J
	R-32		X32L	70015	D	

TXV SELECTION - COMMERCIAL				
Commercial Coil Model	Single Circuit R22 TXV	Single Circuit R410A TXV	Dual Circuit Use 2 R22 TXV	Dual Circuit Use 2 R410A TXV
BV***72+(* )	(X1) 4195	(X4) 4202	(X1) 4190	(X4) 4200
BV***90+(* )	N/A	(X4) 3947+3948	(X1) 4195	(X4) 4202
BV***120+(* )				
CC72**(* )	(X) 4195	(4) 4202	(X) 4190	(4) 4200
CC90**(* )	N/A	(4) 3947+3948	(X) 4195	(4) 4202
CC120**(* )				



# METERING DEVICE SELECTION MATRIX NOMENCLATURE

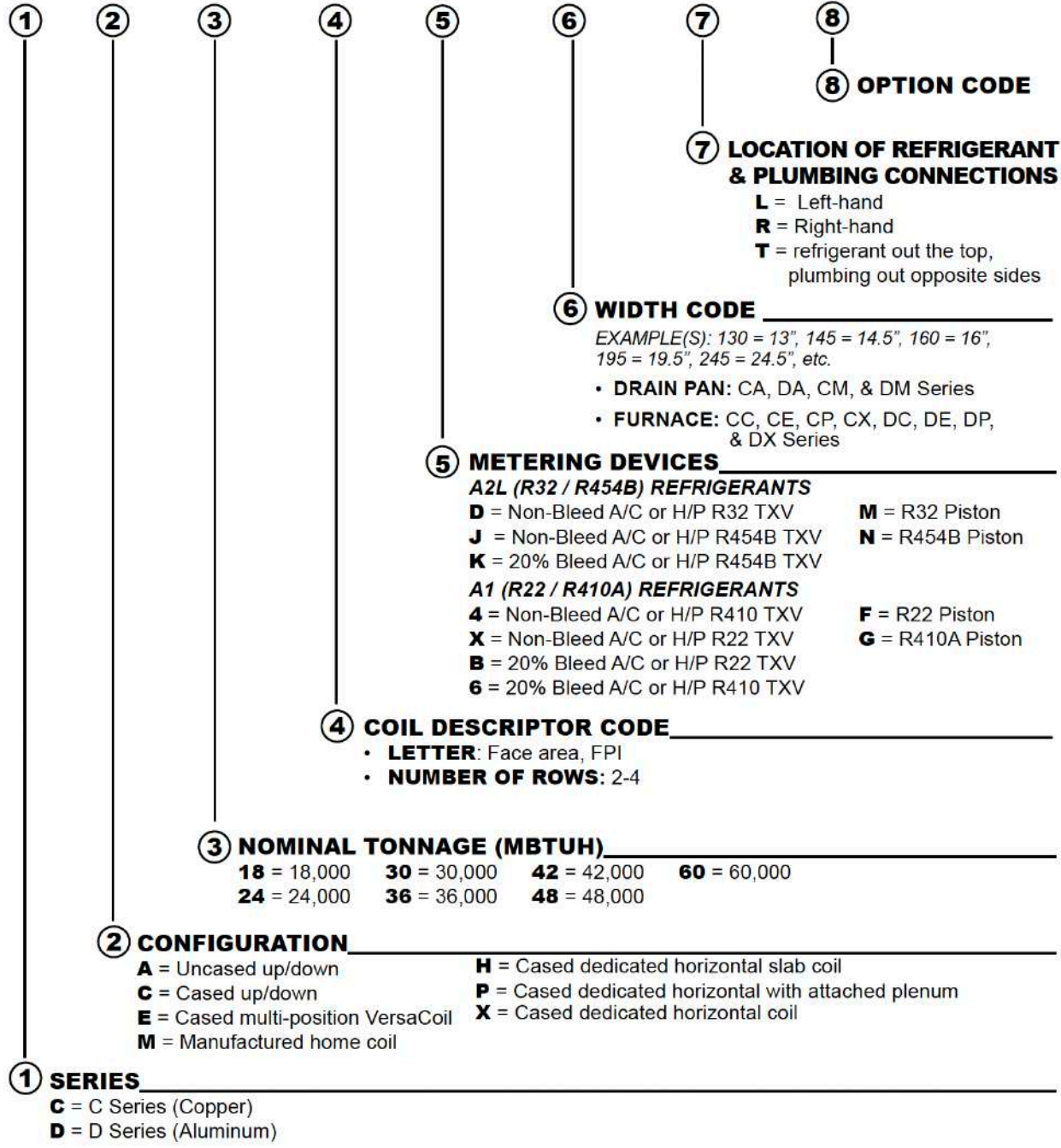
A1 PISTON SELECTION - NON-TXV				
Tonnage	R22	F	R410A	G
	Orifice Size	PART #	Orifice Size	PART #
1	0.041	3962	N/A	N/A
1.5	0.055	3999	0.049	4006
2	0.059	4000	0.055	3999
2.5	0.068	3987	0.059	4000
3	0.074	4001	0.068	3987
3.5	0.080	3990	0.074	4001
4	0.084	3991	0.080	3990
5	0.092	3998	0.089	3960

A2L PISTON SELECTION - NON-TXV				
Tonnage	R32	(M)	R454B	(N)
	Orifice Size	PART #	Orifice Size	PART #
1.5	0.042	4105	0.045	4033
2	0.049	4006	0.052	4007
2.5	0.053	3978	0.059	4000
3	0.057	3984	0.065	3980
3.5	0.063	3973	0.070	3993
4	0.065	3980	0.076	3989
5	0.074	4001	0.077	3995

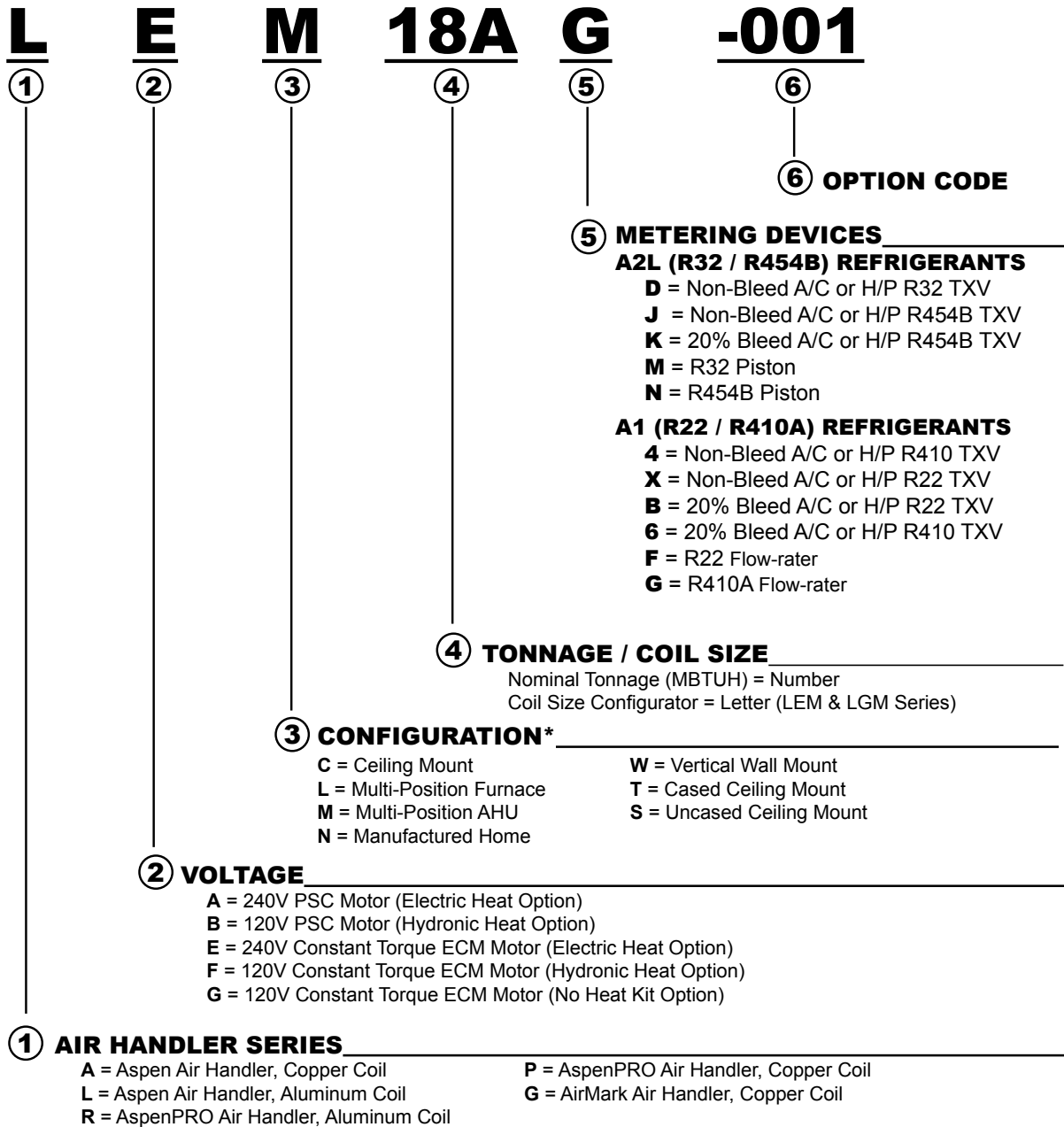


# UNIVERSAL EVAPORATOR COIL NOMENCLATURE

**D    A    24    A3    D    -145    L    -400**



# UNIVERSAL AIR HANDLER NOMENCLATURE

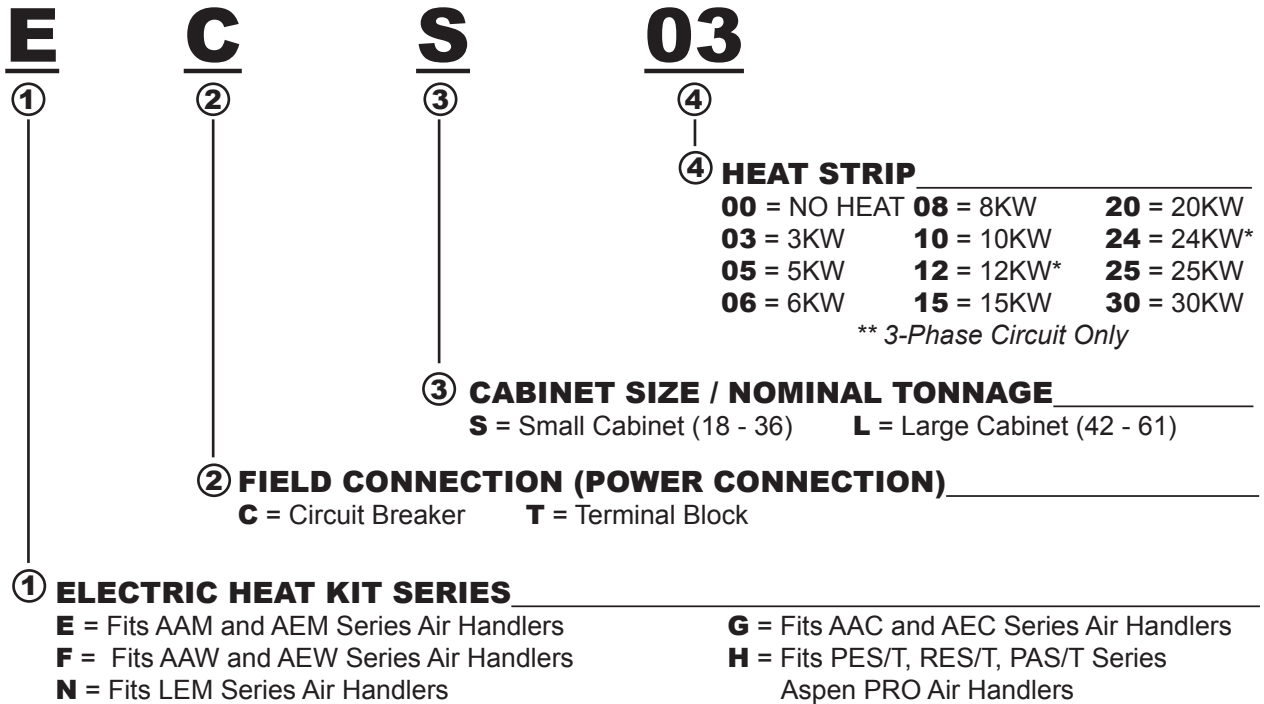




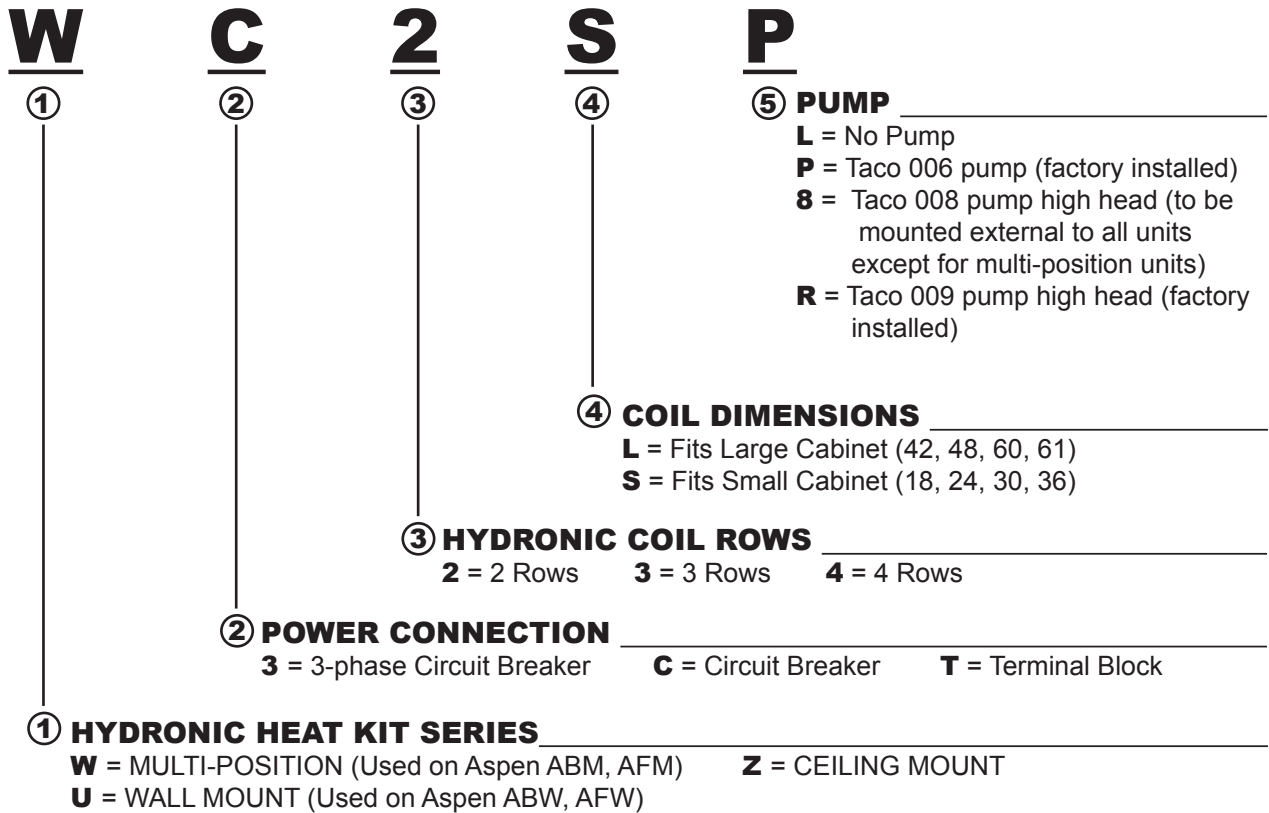
# ELECTRIC & HYDRONIC HEAT KITS

## NOMENCLATURE

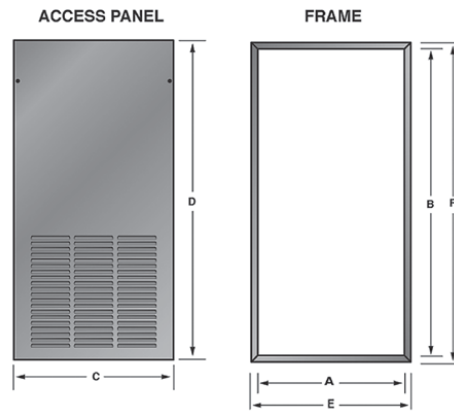
### ELECTRIC HEAT KITS



### HYDRONIC HEAT KITS



# WALL MOUNT ACCESS PANEL DATA TABLES

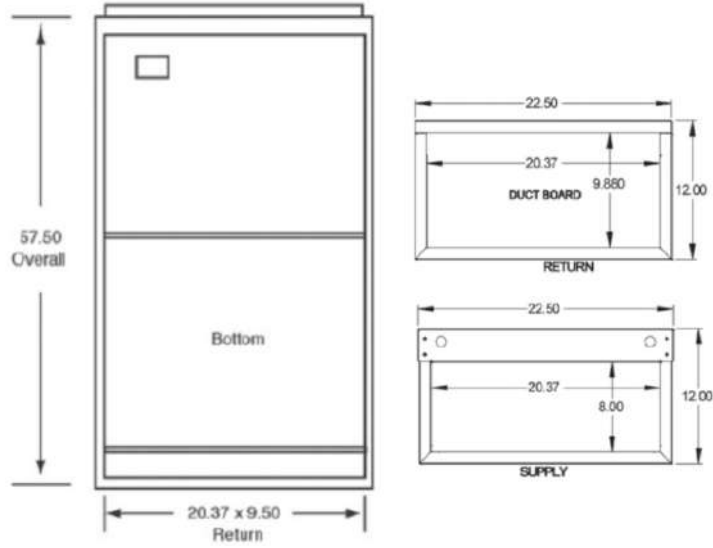


**WAD ACCESS PANEL DATA (In.)**

PANEL MODEL	FOR USE WITH	FINISH	OPENING SIZE		PANEL DIMENSION		FRAME DIMENSION	
			A	B	C	D	E	F
WAD-4(S/L)	FTB	Embossed	21-1/8	39-7/8	22-3/4	41-1/2	22-5/8	41-3/8
WAD-5(S/L)	FWB	Embossed	21-1/8	44-3/8	22-3/4	46	22-5/8	45-7/8
WAD-6(S/L)	FWB-013	Embossed	21-1/8	50-3/8	22-3/4	52	22-5/8	51-7/8
WAD-7(S/L)	(G,A)(A,E)W 18/23/24 P(A,E)W 22/28/29 LEW 30B/30C/36A	Embossed	22-5/8	39-7/8	24-1/4	41-1/2	24-1/8	41-3/8
WAD-8(S/L)	(G,A)(A,E)W 30/36 P(A,E)W 32/33/34/38 LEW 30E/36C	Embossed	22-5/8	42-7/8	24-1/4	44-1/2	24-1/8	44-3/8
WAD-9(S/L)	(G,A)(B,F)W 18/24/30/36	Embossed	22-5/8	46-3/8	24-1/4	48	24-1/8	47-7/8
WAD-10(S/L)	(G,A)(B,F)W 18/24/30/36	Embossed	22-5/8	52-3/8	24-1/4	54	24-1/8	53-7/8
WAD-16(S/L)	(G,A)(B,F)W 18/24/30/36	Smooth	22-5/8	52-3/8	24-1/4	54	24-1/8	53-7/8
WAD-17(S/L)	(G,A)(B,F)W 18/24/30/36	Smooth	22-5/8	46-3/8	24-1/4	48	24-1/8	47-7/8
WAD-18(S/L)	(G,A)(A,E)W 18/23/24 P(A,E)W 22/28/29 LEW 30B/30C/36A	Smooth	22-5/8	39-7/8	24-1/4	41-1/2	24-1/8	41-3/8
WAD-19(S/L)	(G,A)(A,E)W 30/36 P(A,E)W 32/33/34/38 LEW 30E/36C	Smooth	22-5/8	42-7/8	24-1/4	44-1/2	24-1/8	44-3/8
WAD-20(S/L)	(G,A)(A,E)W 19/20/25/26 P(A,E)W 21/27 LEW 30A	Embossed	21-1/8	38-3/8	22-3/4	40	22-5/8	39-7/8
WAD-21(S/L)	(G,A)(A,E)W 31/37 P(A,E)W 29/35 LEW 30D/30F/36B/36D	Embossed	24-5/8	38-3/8	26-1/4	40	26-1/8	39-7/8
WAD-22(S/L)	(G,A)(A,E)W 19/20/25/26 P(A,E)W 21/27 LEW 30A	Smooth	21-1/8	38-3/8	22-3/4	40	22-5/8	39-7/8
WAD-23(S/L)	(G,A)(A,E)W 31/37 P(A,E)W 29/35 LEW 30D/30F/36B/36D	Smooth	24-5/8	38-3/8	26-1/4	40	26-1/8	39-7/8



# CAD ACCESS PANEL DATA TABLES

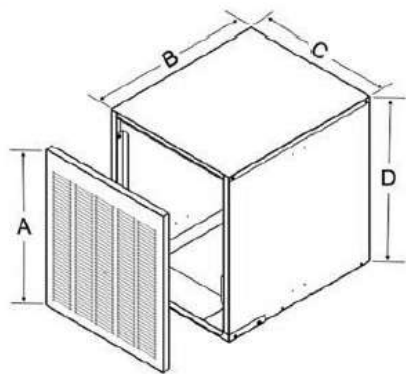


CAD ACCESS PANEL DATA (In.)								
WHERE USED	MAD PANEL MODEL NUMBER	OPENING SIZE		PANEL SIZE		FRAME ASSY SIZE		# OF PANELS
		A	B	C	D	E	F	
AAC/AEC	CAD-4(S/L)	22-3/4	58	24-3/4	60	24-5/8	59-7/8	2

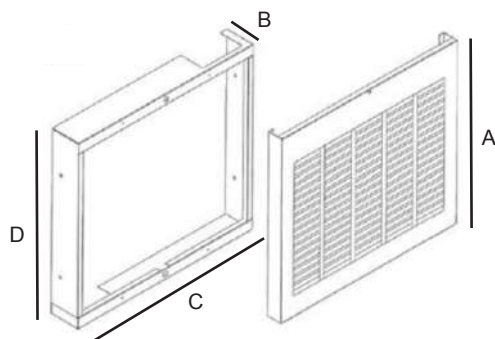




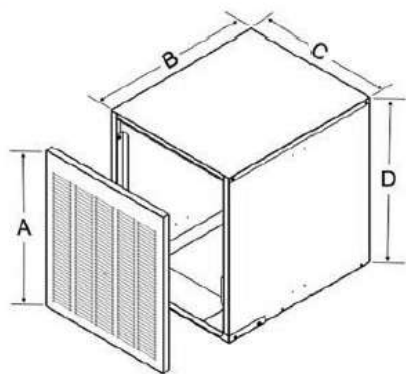
# MAD ACCESS PANEL DATA TABLES



MAD ACCESS PANEL DATA (In.)					
WHERE USED	PANEL MODEL	OPENING SIZE		PANEL SIZE	
		A	B	C	D
AEN	MAD-01(L)	18	23-1/2	19-3/4	18
AEN	MAD-02(L)	24			24
AEN	MAD-03(L)	36			36



MAD ACCESS PANEL DATA (In.)					
WHERE USED	PANEL MODEL	OPENING SIZE		PANEL SIZE	
		A	B	C	D
AEN	MAD-04(L)	24	3	19-3/4	24

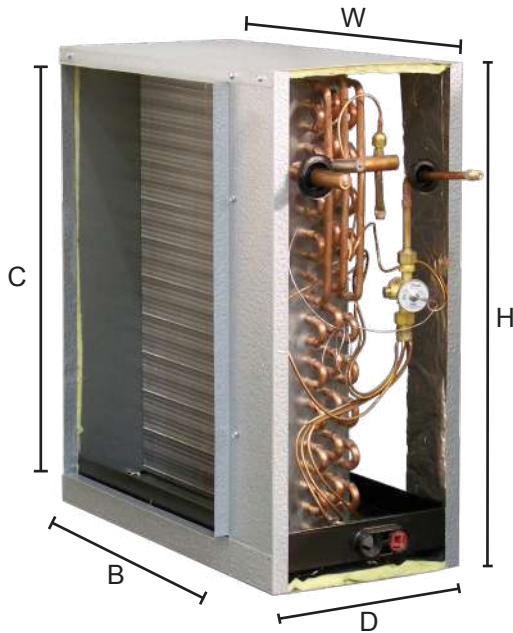


MAD ACCESS PANEL DATA (In.)					
WHERE USED	PANEL MODEL	OPENING SIZE		PANEL SIZE	
		A	B	C	D
AEN	MAD-07	24	23-1/2	19-3/4	24
	MAD-08				
	MAD-09				

# BHA/L SERIES

## SLAB HIGH/LOW HORIZONTAL COIL

### FEATURES, BENEFITS, DIMENSIONS, & SPECIFICATIONS



Unit shown with service panels removed. Representative drawing only. Some models may vary in appearance. Due to continuous product improvement, specifications are subject to change without notice.

### FEATURES AND BENEFITS:

- Rifled copper tubing, enhanced aluminum fins.
- Standard refrigerant connections:
  - Liquid line - 3/8" ODS
  - Suction line - 7/8" ODS
- Two 3/4" MPT condensate drain.
- Immersion-tested at 500 psi, then Nitrogen-pressurized and sealed.
- Bi-directional airflow.
- Heavy gauge embossed galvanized cabinet fully lined with 1/2" faced insulation.
- Flowrater standard. Factory or field-installable TXV available.
- Front access panel for easy service.
- ETL listed for use with R-410A when proper metering device is used.
- Five-year limited warranty.

COIL MODEL	DIMENSIONS				
	HEIGHT (H)	WIDTH (W)	DEPTH (D)	OPENINGS	
				C	B
<b>HIGH HORIZONTAL</b>					
BHA** 24	23-1/2	21-1/2	10	21	16
BHA** 36	23-1/2	29-1/2			24
BHA** 48	23-1/2	34-1/2			29
BHA** 60	25	34-1/2			29
<b>LOW HORIZONTAL</b>					
BHL** 24	17	27	10	14-1/2	21-1/2
BHL** 36	17	27		14-1/2	21-1/2
BHL** 48	17	36		14-1/2	29
BHL** 60	21	36		18-1/2	29



**WANT MORE INFORMATION ON ASPEN'S BHA/L SERIES EVAPORATOR COILS?**

SCAN QR CODE TO VISIT THIS PRODUCT ON OUR WEBSITE



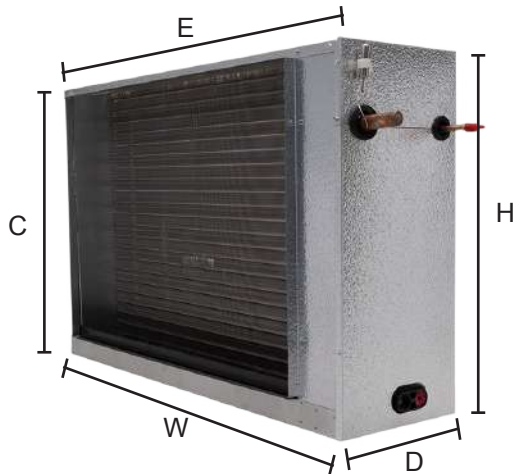
*For complete warranty details, please visit our Warranty Information tab when you visit Aspen's website. To view this coil's product information online for the most up-to-date information scan the QR Code.*

In keeping with its commitment to continuous improvement, Aspen Manufacturing reserves the right to make changes without notice and incurring obligation. To stay up-to-date with this product and Aspen's trusted line of coils, air handlers, and more, go to our website. BHAL-Spec-2025-03

# CH SERIES

## COPPER SLAB HORIZONTAL EVAPORATOR COIL

### FEATURES, BENEFITS, DIMENSIONS, & SPECIFICATIONS



Unit shown with service panels removed. Representative drawing only. Some models may vary in appearance. Due to continuous product improvement, specifications are subject to change without notice.

### FEATURES AND BENEFITS:

- Rifled copper tubing, enhanced aluminum fins.
- Refrigerant and plumbing connections.
  - Liquid line - 3/4" ODS
  - Suction line - 3/4" ODS on 1.50 3-ton and 7/8" on 3.50-ton to 5-ton.
- Externally mounted flowrater body with Schrader valve for hiss-testing.
- Immersion-tested at 500 psi, then sealed and Nitrogen pressurized.
- Split access doors in front of cabinet for easy service access.
- Fully insulated cabinets with foil-faced insulation.
- AHRI certifiable with all brands of A/C and heat pump systems.
- ETL listed for use with R-410A, R-454B, R-22, and R-32 when proper metering device is used.
- Ten-year limited warranty.

### CUSTOMIZATION

- Factory or field-installed TXV available.
- Schrader mounted on suction manifold, external to cabinet.



### WANT MORE INFORMATION ON ASPEN'S CH SERIES EVAPORATOR COILS?

SCAN QR CODE TO VISIT THIS PRODUCT ON OUR WEBSITE



*For complete warranty details, please visit our Warranty Information tab when you visit Aspen's website. To view this coil's product information online for the most up-to-date information scan the QR Code.*

In keeping with its commitment to continuous improvement, Aspen Manufacturing reserves the right to make changes without notice and incurring obligation. To stay up-to-date with this product and Aspen's trusted line of coils, air handlers, and more, go to our website. CH-Spec-2025-03





**SPECIFICATIONS & PERFORMANCE:**

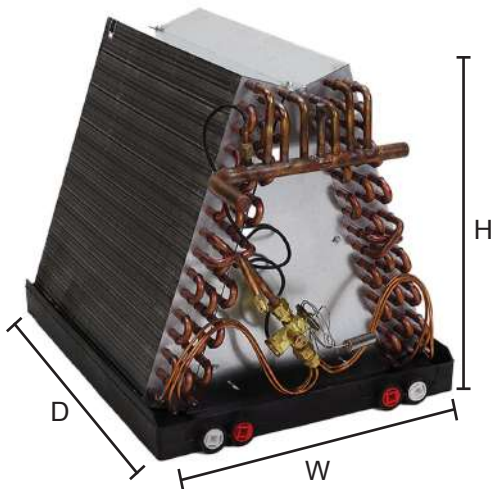
COIL MODEL	NOM. CAPACITY (BTUs)	DIMENSIONS					SHIPPING INFORMATION				
		CABINET			OPENING		WEIGHT (LBS)			SKID QTY	
		MIN. WIDTH	HEIGHT (H)	DEPTH (D)	C	E	2 ROW	3 ROW	4 ROW		
CH24A*	24,000	16	23-1/2	10	21	21-1/2	20	34	N/A	14	
CH24B*		24				29-1/2	29	43	N/A	14	
CE30A*	30,000	24				29-1/2	29	43	N/A	14	
CE30B*		30				35-1/2	35	49	N/A	14	
CH36A*	36,000	30				35-1/2	35	49	N/A	14	
CH36B*		36				41-1/2	42	56	N/A	8	
CH42A*	42,000	30				35-1/2	N/A	49	N/A	14	
CH48A*	48,000	36				41-1/2	N/A	56	70	8	
CH48B*		42				47-1/2	N/A	66	80	8	

In keeping with its commitment to continuous improvement, Aspen Manufacturing reserves the right to make changes without notice and incurring obligation. To stay up-to-date with this product and Aspen's trusted line of coils, air handlers, and more, go to our website. CH-Spec-2025-03

# CA SERIES

## UNCASED COPPER UPFLOW/DOWNFLOW EVAPORATOR COIL

### FEATURES, BENEFITS, DIMENSIONS, & SPECIFICATIONS



Representative drawing only. Some models may vary in appearance. Due to continuous product improvement, specifications are subject to change without notice.

### FEATURES AND BENEFITS:

- Rifled copper tubing, enhanced aluminum fins.
- Left or right-hand refrigerant and plumbing connections.
- Standard refrigerant connections:
  - Liquid line - 3/8" ODS
  - Suction line
    - 3/4" ODS on 1-1/2-ton to 3-ton
    - 7/8" on 3-1/2-ton to 5-ton
- Externally mounted flowrater body with Schrader valve for hiss-testing.
- Heavy gauge plastic drain pans on most models.
- Immersion-tested at 500 psi, then Nitrogen-pressurized and sealed.
- Upflow without field modification. Downflow applications require plate kit, sold separately.
- AHRI certifiable with all brands of A/C and heat pump systems.
- ETL listed for use with R-410A, R-454B, and R-32 when proper metering device is used.
- Ten-year limited warranty.

### CUSTOMIZATION

- Factory or field-installed TXV available.
- Powder-painted metal pans.
- Schrader mounted on suction manifold, external to cabinet.

### DOWNFLOW KIT PART NUMBERS

#### METAL DRAIN PANS:

- 16" DWNFLWM-16
- 18" DWNFLWM-18

#### PLASTIC DRAIN PANS:

- DWNFLWP



### WANT MORE INFORMATION ON ASPEN'S CA SERIES EVAPORATOR COILS?

SCAN QR CODE TO VISIT THIS PRODUCT ON OUR WEBSITE



*For complete warranty details, please visit our Warranty Information tab when you visit Aspen's website.  
To view this coil's product information online for the most up-to-date information scan the QR Code.*

In keeping with its commitment to continuous improvement, Aspen Manufacturing reserves the right to make changes without notice and incurring obligation. To stay up-to-date with this product and Aspen's trusted line of coils, air handlers, and more, go to our website. CA-Spec-2025-03



**SPECIFICATIONS & PERFORMANCE:**

COIL MODEL	NOM. CAPACITY (BTU)	PAN SIZE						SHIPPING INFO.			
		WIDTH (W)				DEPTH (D)	BARE SLAB HEIGHT (H)	WEIGHT (LBS)			SKID QTY
		13	16	19-1/2	23			2 ROW	3 ROW	4 ROW	
CA24A*	24,000	13	16	19-1/2	N/A	19-3/8	13-1/2	17	27	35	30
CA24B*		13	16	19-1/2	N/A	19-3/8	15-1/2	20	31	41	25
CA24C*		13	16	19-1/2	N/A	19-3/8	17-1/2	23	36	47	25
CA24D*		13	16	19-1/2	N/A	19-3/8	19-1/2	25	40	53	20
CA30A*	30,000	13	16	19-1/2	N/A	19-3/8	15-1/2	20	31	41	25
CA30B*		13	16	19-1/2	N/A	19-3/8	17-1/2	23	36	47	25
CA30C*		13	16	19-1/2	N/A	19-3/8	19-1/2	25	40	53	20
CA30D*		13	16	19-1/2	N/A	19-3/8	21-1/2	28	45	58	16
CA30E*		13	16	19-1/2	N/A	19-3/8	21-1/2	30	47	60	16
CA36A*	36,000	13 for 2, 3R; 16 for 4R	16	19-1/2	N/A	19-3/8	17-1/2	23	36	47	25
CA36B*			16	19-1/2	N/A	19-3/8	19-1/2	25	40	53	20
CA36C*			16	19-1/2	N/A	19-3/8	21-1/2	28	45	58	16
CA36D*			16	19-1/2	N/A	19-3/8	23-1/2	31	49	64	12
CA42A*	42,000	N/A	16	19-1/2	23	19-3/8	25-1/2	25	40	53	20
CA42B*		N/A	16	19-1/2	23	19-3/8	21-1/2	28	45	58	16
CA42C*		N/A	16	19-1/2	23	19-3/8	23-1/2	31	49	64	12
CA42D*		N/A	16	19-1/2	23	19-3/8	25-1/2	34	54	70	12
CA48A*	48,000	N/A	16	19-1/2	23	19-3/8	21-1/2	28	45	58	16
CA48B*		N/A	16	19-1/2	23	19-3/8	23-1/2	31	49	64	12
CA48C*		N/A	16	19-1/2	23	19-3/8	25-1/2	34	54	70	12
CA48D*		N/A	16	19-1/2	23	19-3/8	27-1/2	37	58	76	12
CA48F*		N/A	16	19-1/2	23	19-3/8	25-1/2	36	56	72	12
CA48G*		N/A	16	19-1/2	23	19-3/8	27-1/2	39	60	78	12
CA60A*	60,000	N/A	N/A	19-1/2	23	19-3/8	25-1/2	34	54	70	12
CA60B*		N/A	N/A	19-1/2	23	19-3/8	27-1/2	37	58	76	12
CA60C*		N/A	N/A	19-1/2 (2)	23 (2)	21-3/4	24-1/2	38	60	79	12
CA60D*		N/A	N/A	19-1/2 (2)	23 (2)	21-3/4	26-1/2	41	65	86	12
CA60E*		N/A	N/A	N/A	24 (3)	21	26-1/2	46	73	95	12
CA60F*		N/A	N/A	19-1/2	23	19-3/8	25-1/2	41	62	80	12
CA60G*		N/A	N/A	N/A	24 (3)	21	26-1/2	48	75	97	12

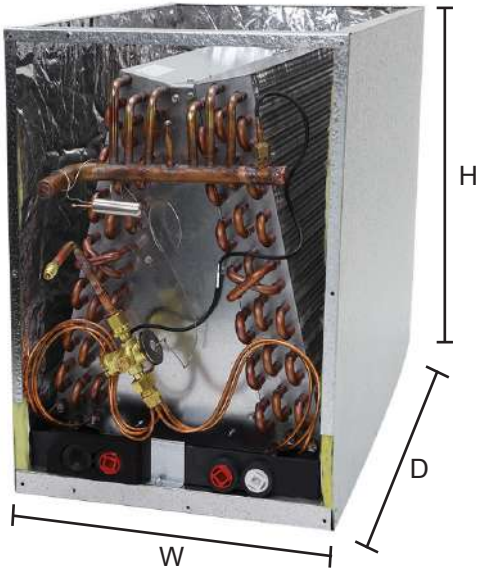
In keeping with its commitment to continuous improvement, Aspen Manufacturing reserves the right to make changes without notice and incurring obligation. To stay up-to-date with this product and Aspen's trusted line of coils, air handlers, and more, go to our website. CA-Spec-2025-03



# CC SERIES

## CASED COPPER UPFLOW/DOWNFLOW EVAPORATOR COIL

### FEATURES, BENEFITS, DIMENSIONS, & SPECIFICATIONS



Unit shown with service panels removed. Representative drawing only. Some models may vary in appearance. Due to continuous product improvement, specifications are subject to change without notice.

### FEATURES AND BENEFITS:

- Rifled copper tubing, enhanced aluminum fins.
- Left or right-hand refrigerant and plumbing connections.
  - Liquid line - 3/8" ODS
  - Suction line
    - 3/4" ODS on 1-1/2-ton to 3-ton
    - 7/8" on 3-1/2-ton to 5-ton
- Externally mounted flowrater body with Schrader valve for hiss-testing.
- Heavy duty plastic drain pans on most models.
- Immersion-tested at 500 psi, then Nitrogen-pressurized and sealed.
- Embossed galvanized cabinets standard. Cabinets feature furnace connectors (patent pending).
- Upflow without field modification. Downflow applications require plate kit, sold separately.
- Split access doors in front for easy access.
- Fully insulated cabinets with faced insulation.
- AHRI certifiable with all brands of A/C and heat pump systems.
- ETL listed for use with R-410A, R-454B, R-22, and R-32 when proper metering device is used.
- Ten-year limited warranty.

ASPEN RESIDENTIAL COILS



### CUSTOMIZATION

- Factory or field-installed TXV available.
- Powder-painted metal or stainless pans.
- Schrader mounted on suction manifold, external to cabinet.

### DOWNFLOW KIT PARTS

#### METAL DRAIN PANS:

- 16" DWNFLWM-16
- 18" DWNFLWM-18

#### PLASTIC DRAIN PANS:

- DWNFLWP



### WANT MORE INFORMATION ON ASPEN'S CC SERIES EVAPORATOR COILS?

SCAN QR CODE TO VISIT THIS PRODUCT ON OUR WEBSITE



*For complete warranty details, please visit our Warranty Information tab when you visit Aspen's website. To view this coil's product information online for the most up-to-date information scan the QR Code.*

In keeping with its commitment to continuous improvement, Aspen Manufacturing reserves the right to make changes without notice and incurring obligation. To stay up-to-date with this product and Aspen's trusted line of coils, air handlers, and more, go to our website. CC-Spec-2025-03



**SPECIFICATIONS & PERFORMANCE:**

COIL MODEL	NOMINAL CAPACITY (BTUs)	CABINET DIMENSIONS				SHIPPING INFORMATION			
		MIN. WIDTH	MAX. WIDTH (W)	DEPTH (D)	HEIGHT (H)	WEIGHT (LBS)			SKID QTY
						2 ROW	3 ROW	4 ROW	
CC24A*	24,000	14	23	21-1/2	16	29	37	45	20
CC24B*		14	23	21-1/2	16	34	44	52	20
CC24C*		14	23	21-1/2	20	39	50	59	16
CC24D*		14	23	21-1/2	20	44	56	67	16
CC30A*	30,000	14	23	21-1/2	16	34	44	52	20
CC30B*		14	23	21-1/2	20	39	50	59	16
CC30C*		14	23	21-1/2	20	44	56	67	16
CC30D*		14	23	21-1/2	24	49	62	74	12
CC30E*		14	23	21-1/2	24	51	64	76	12
CC36A*	36,000	2/3R - 14; 4R-17	23	21-1/2	20	39	50	59	16
CC36B*			23	21-1/2	20	44	56	67	16
CC36C*			23	21-1/2	24	49	62	74	12
CC36D*			23	21-1/2	24	54	69	82	12
CC36E*			23	21-1/2	20	39	50	59	16
CC36F*		17	26-1/2	21-1/2	28	63	81	96	12
CC42A*	42,000	17	26-1/2	21-1/2	20	44	56	67	16
CC42B*		17	26-1/2	21-1/2	24	49	62	74	12
CC42C*		17	26-1/2	21-1/2	24	54	69	82	12
CC42D*		17	26-1/2	21-1/2	28	59	75	89	12
CC42E*		17	26-1/2	21-1/2	20	44	45	67	16
CC42F*		17	26-1/2	21-1/2	28	63	81	96	12
CC48A*	48,000	17	26-1/2	21-1/2	24	49	62	74	12
CC48B*		17	26-1/2	21-1/2	28	54	69	82	12
CC48C*		17	26-1/2	21-1/2	28	58	75	89	12
CC48D*		17	26-1/2	21-1/2	28	63	81	96	12
CC48F*		17	26-1/2	21-1/2	28	60	77	91	12
CC48G*		17	26-1/2	21-1/2	28	65	83	98	12
CC60A*	60,000	20-1/2	26-1/2	21-1/2	28	58	75	89	12
CC60B*		20-1/2	26-1/2	21-1/2	28	63	81	96	12
CC60C* (3)		20-1/2	26-1/2	23	28	66	84	100	12
CC60D* (3)		20-1/2	26-1/2	23	28	71	91	108	12
CC60E* (3)		20-1/2	26-1/2	21-1/2	28	79	101	120	12
CC60F*		20-1/2	26-1/2	21-1/2	28	60	77	91	12
CC60G* (4)		20-1/2	26-1/2	21-1/2	28	81	103	122	12

In keeping with its commitment to continuous improvement, Aspen Manufacturing reserves the right to make changes without notice and incurring obligation. To stay up-to-date with this product and Aspen's trusted line of coils, air handlers, and more, go to our website. CC-Spec-2025-03

# CE SERIES

## CASED COPPER MULTI-POSITION EVAPORATOR COIL

### FEATURES, BENEFITS, DIMENSIONS, & SPECIFICATIONS



Unit shown with service panels removed. Representative drawing only. Some models may vary in appearance. Due to continuous product improvement, specifications are subject to change without notice.

### FEATURES AND BENEFITS:

- Rifled copper tubing, enhanced aluminum fins.
- Left or right-hand refrigerant and plumbing connections.
  - Liquid line - 3/4" ODS
  - Suction line
    - 3/4" ODS on 1-1/2-ton to 3-ton
    - 7/8" on 3-1/2-ton to 5-ton
- Externally mounted flowrater body with Schrader valve for hiss-testing.
- Heavy duty plastic drain pans on most models, powder coated galvanized steel horizontal drain pans standard on all.
- Immersion-tested at 500 psi, then sealed and Nitrogen pressurized.
- Upflow, horizontal right, or horizontal left without field modification. Downflow applications require plate kit, sold separately.
- Split access doors in front of cabinet for easy service access.
- Fully insulated cabinets with foil-faced insulation.
- AHRI certifiable with all brands of A/C and heat pump systems.
- ETL listed for use with R-410A, R-454B, R-22, and R-32 when proper metering device is used.
- Ten-year limited warranty.

### CUSTOMIZATION

- Factory or field-installed TXV available.
- Powder-painted metal or stainless pans.
- Painted cabinets.
- Schrader mounted on suction manifold, external to cabinet.

### DOWNFLOW KIT PARTS

#### METAL DRAIN PANS:

- 16" DWNFLWM-16
- 18" DWNFLWM-18

#### PLASTIC DRAIN PANS:

- DWNFLWP



**WANT MORE INFORMATION ON ASPEN'S DC  
SERIES HIGH EFFICIENCY EVAPORATOR COILS?**

SCAN QR CODE TO VISIT THIS PRODUCT ON OUR WEBSITE



*For complete warranty details, please visit our Warranty Information tab when you visit Aspen's website.*

*To view this coil's product information online for the most up-to-date information scan the QR Code.*

In keeping with its commitment to continuous improvement, Aspen Manufacturing reserves the right to make changes without notice and incurring obligation. To stay up-to-date with this product and Aspen's trusted line of coils, air handlers, and more, go to our website. CE-Spec-2025-03





**SPECIFICATIONS & PERFORMANCE:**

COIL MODEL	NOMINAL CAPACITY (BTUs)	CABINET DIMENSIONS				SHIPPING INFORMATION			
		MIN. WIDTH	MAX. WIDTH (W)	DEPTH (D)	HEIGHT (H)	WEIGHT (LBS)			SKID QTY
						2 ROW	3 ROW	4 ROW	
CE24A*	24,000	14	23	21-1/2	19	31	39	46	20
CE24B*		14	23	21-1/2	19	36	45	54	20
CE24C*		14	23	21-1/2	23	41	52	61	12
CE24D*		14	23	21-1/2	23	46	58	69	12
CE30A*	30,000	14	23	21-1/2	19	36	45	54	20
CE30B*		14	23	21-1/2	23	41	52	61	12
CE30C*		14	23	21-1/2	23	46	58	69	12
CE30D*		14	23	21-1/2	27	52	65	77	12
CE30E*		14	23	21-1/2	27	54	67	79	12
CE36A*	36,000	14 for 2, 3R; 17 for 4R	23	21-1/2	23	41	52	61	12
CE36B*			23	21-1/2	23	46	58	69	12
CE36C*			23	21-1/2	27	52	65	77	12
CE36D*			23	21-1/2	27	57	71	84	12
CE36F*		17	26-1/2	21-1/2	30	67	84	100	10
CE42A*	42,000	17	26-1/2	21-1/2	23	46	58	69	12
CE42B*		17	26-1/2	21-1/2	27	52	65	77	12
CE42C*		17	26-1/2	21-1/2	27	57	71	84	12
CE42D*		17	26-1/2	21-1/2	30	62	78	92	10
CE48A*	48,000	17	26-1/2	21-1/2	27	52	65	77	12
CE48B*		17	26-1/2	21-1/2	30	57	71	84	12
CE48C*		17	26-1/2	21-1/2	30	62	78	92	10
CE48D*		17	26-1/2	21-1/2	30	67	84	100	10
CE48F*		17	26-1/2	21-1/2	30	64	80	94	10
CE48G*		17	26-1/2	21-1/2	30	69	86	102	10
CE60A*	60,000	20-1/2	26-1/2	21-1/2	30	62	78	92	10
CE60B*		20-1/2	26-1/2	21-1/2	30	67	84	100	10
CE60C* (3)		20-1/2	26-1/2	23	30	70	88	104	10
CE60D* (3)		20-1/2	26-1/2	23	30	76	95	112	10
CE60F*		20-1/2	26-1/2	21-1/2	30	64	80	94	10

Duct opening dimensions can be ascertained by subtracting 1.50" for top opening width/depth, 3/4" for bottom opening.

Notes: 1) Not all drain pan sizes are currently available in heavy duty plastic. Check with your local Aspen representative for current availability. 2) Do not use heavy duty plastic drain pans on oil furnaces or other applications where outlet temperatures may exceed 290°F+/-5°F. Specify metal drain pans for these applications. 3) Metal drain pan. Slab rotated 90° inside cabinet. Refrigerant and plumbing connections still exit cabinet front.

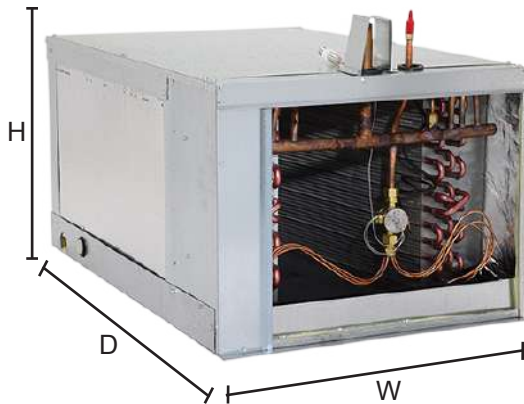
In keeping with its commitment to continuous improvement, Aspen Manufacturing reserves the right to make changes without notice and incurring obligation. To stay up-to-date with this product and Aspen's trusted line of coils, air handlers, and more, go to our website. CE-Spec-2025-03



# CR SERIES

## COPPER DEDICATED HORIZONTAL PLENUM COIL WITH BUILT-IN AUXILIARY DRAIN PAN EVAPORATOR COIL

### FEATURES, DIMENSIONS, & SPECIFICATIONS



Unit shown with service panels removed. Representative drawing only. Some models may vary in appearance. Due to continuous product improvement, specifications are subject to change without notice.

### FEATURES AND BENEFITS:

- Rifled aluminum tubing, enhanced aluminum fins.
- Refrigerant and plumbing connections:
  - Liquid line - 3/8" ODS
  - Suction line
    - 3/4" ODS on 1-1/2-ton to 3-ton
    - 7/8" on 3-1/2-ton to 5-ton
- Refrigerant lines exit from the top of the coil with Schrader valve for hiss-testing.
- Three-piece access doors on top of the coil for easy service.
- Fully insulated cabinet with plenum sides and back constructed of foil-backed, faced, one-inch thick, fiberglass duct-board.
- Air pressure tested at 500 psi, leak tested with Helium, then sealed and Nitrogen-pressurized.
- Heavy duty plastic pan with 4.75" NPT condensate drains on each side of the coil.
- Secondary metal drain pan included with one inch spacing around the cabinet for turnkey installation.
- AHRI certifiable with all brands of A/C and heat pump systems.
- ETL listed for use with R-410A, R-454B, R-22, and R-32 when proper metering device is used.
- Ten-year limited warranty.



***For complete warranty details, please visit our Warranty Information tab when you visit Aspen's website.***

***To view this coil's product information online for the most up-to-date information scan the QR Code.***

In keeping with its commitment to continuous improvement, Aspen Manufacturing reserves the right to make changes without notice and incurring obligation. To stay up-to-date with this product and Aspen's trusted line of coils, air handlers, and more, go to our website.

CR-Spec-2025-03

## SPECIFICATIONS & PERFORMANCE:

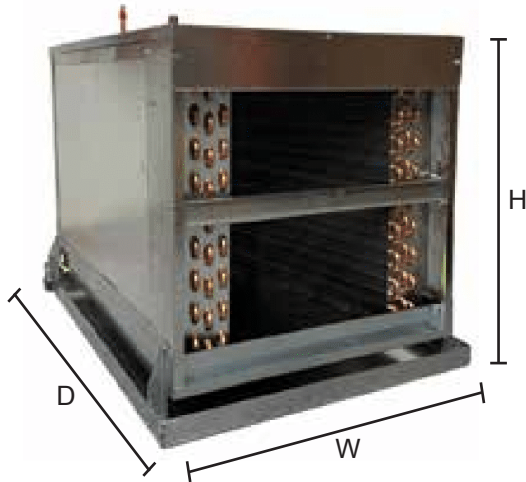
COIL MODEL	NOM. CAPACITY (BTUs)	DIMENSIONS			SHIPPING INFORMATION			
		CABINET			SHIPPING WEIGHT (LBS)			SKID QTY
		WIDTH (W)	DEPTH (D)	HEIGHT (H)	2 ROW	3 ROW	4 ROW	
CR24A*	24,000	20.50	31	15-1/2	42	51	N/A	8
CR24B*			31	19-1/2	47	56		
CR24C*			31	23-1/2	57	69		
CR30A*	30,000		31	15-1/2	48	58		
CR30B*			31	19-1/2	47	56		
CR30C*			31	23-1/2	57	69		
CR36A*	36,000		31	15-1/2	55	66		
CR36B*			31	19-1/2	55	66		
CR36C*			31	23-1/2	57	69		
CR36D*			40	19-1/2	93	112		
CR36E*			31	21-1/2	62	75		
CR42A*	42,000		40	19-1/2	62	75		
CR42B*			40	23-1/2	57	80		
CR42C*			40	25-1/2	62	75		
CR48A*	48,000		40	23-1/2	76	92		
CR48B*			40	25-1/2	73	87		
CR48C*			40	25-1/2	93	112	135	
CR60A*	60,000		40	23-1/2	124	149	N/A	
CR60B*		40	25-1/2	125	150			

In keeping with its commitment to continuous improvement, Aspen Manufacturing reserves the right to make changes without notice and incurring obligation. To stay up-to-date with this product and Aspen's trusted line of coils, air handlers, and more, go to our website. DP-Spec-2025-03

# CP SERIES

## COPPER DEDICATED HORIZONTAL EVAPORATOR COIL WITH PLENUM

### FEATURES, BENEFITS, DIMENSIONS, & SPECIFICATIONS



Unit shown with service panels removed. Representative drawing only. Some models may vary in appearance. Due to continuous product improvement, specifications are subject to change without notice.

### FEATURES AND BENEFITS:

- Rifled copper tubing, enhanced aluminum fins.
- Refrigerant and plumbing connections:
  - Liquid line - 3/8" ODS
  - Suction line
    - 3/4" ODS on 1-1/2-ton to 3-ton
    - 7/8" on 3-1/2-ton to 5-ton
- Refrigerant lines exit from the top of the coil with Schrader valve for hiss-testing.
- Three-piece access doors on top of the coil for easy service.
- Fully insulated cabinet with plenum sides and back constructed of foil-backed, faced, one-inch thick, fiberglass duct-board.
- Immersion-tested at 500 psi, then Nitrogen-pressurized and sealed.
- Heavy duty plastic pan with 4.75" NPT condensate drains on each side of the coil.
- Secondary metal drain pan included with one inch spacing around the cabinet for turnkey installation.
- AHRI certifiable with all brands of A/C and heat pump systems.
- ETL listed for use with R-410A, R-454B, R-22, and R-32 when proper metering device is used.
- Ten-year limited warranty.



### WANT MORE INFORMATION ON ASPEN'S CP SERIES EVAPORATOR COILS?

SCAN QR CODE TO VISIT THIS PRODUCT ON OUR WEBSITE



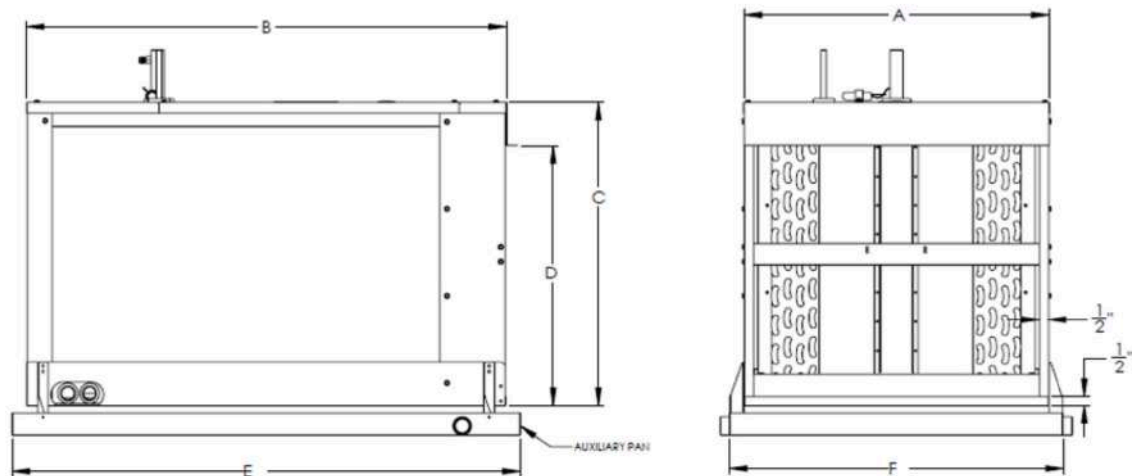
*For complete warranty details, please visit our Warranty Information tab when you visit Aspen's website. To view this coil's product information online for the most up-to-date information scan the QR Code.*

In keeping with its commitment to continuous improvement. Aspen Manufacturing reserves the right to make changes without notice and incurring obligation. To stay up-to-date with this product and Aspen's trusted line of coils, air handlers, and more, go to our website. CP-Spec-2025-03

## SPECIFICATIONS & PERFORMANCE:

DIMENSIONAL DATA - FIGURE 1									
COIL MODEL	NOMINAL CAPACITY (BTUs)	DIMENSIONS					SHIPPING INFORMATION		
		CABINET			RETURN OPENING		WEIGHT (LBS)		SKID QTY
		WIDTH (W)	DEPTH (D)	MAX. HEIGHT (H)	WIDTH (D)	HEIGHT (E)	3 ROW	4 ROW	
CP25A*	25,000	21	28	14-1/2	20	13-1/2	37	41	16
CP25B*			28	15		14	39	44	16
CP25E*			28	17-1/2		16-1/2	52	59	16
CP31A*	31,000		28	15		14	39	44	16
CP31E*			28	17-1/2		16-1/2	52	59	16
CP37A*	37,000		28	15		14	39	44	16
CP37B*			28	17-1/2		16-1/2	49	55	16
CP37C*			28	17-1/2		16-1/2	43	49	16
CP37D*			33	21		20	68	77	6
CP37E*			28	21		20	58	67	12
CP37F*			28	17-1/2		16-1/2	40	47	16
CP43C*	43,000		28	21		20	60	69	12
CP43D*			33	21		20	67	76	6
CP49A*	49,000		28	17-1/2		16-1/2	51	58	16
CP49B*			28	21		20	58	66	12
CP49C*			28	21		20	58	67	12
CP49D*		33	21	20	68	77	6		
CP61A*	61,000	28	21	20	60	69	6		
CP61B*		33	21	20	68	77	6		
CP61C*		33	24-1/2	23-1/2	79	92	6		
CP61D*		33	25	24	81	93	6		
CP61E*		33	25	24	83	97	6		
CP61F*		28	24-1/2	23-1/2	53	60	6		

**FIGURE 1**



In keeping with its commitment to continuous improvement, Aspen Manufacturing reserves the right to make changes without notice and incurring obligation. To stay up-to-date with this product and Aspen's trusted line of coils, air handlers, and more, go to our website. CP-Spec-2025-03

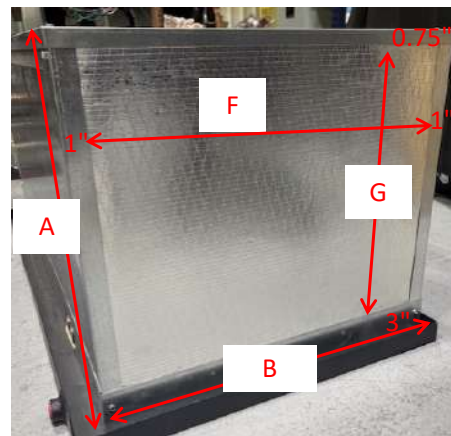
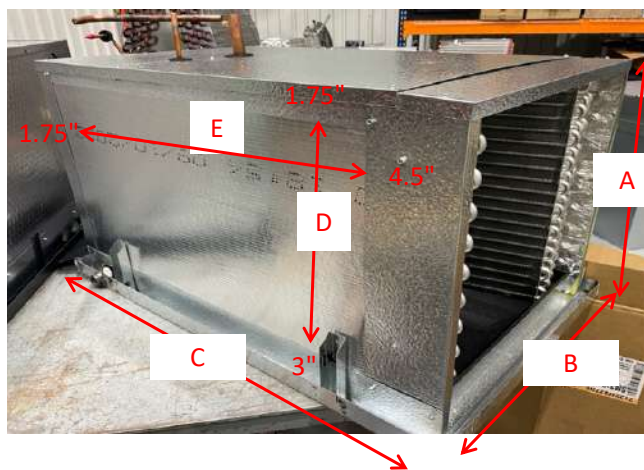




**CABINET DIMENSIONAL DATA - FIGURE 2**

HEIGHT (A)	WIDTH (B)	DEPTH (C)	SIDE		FRONT		DUCTING SIZE		
			Plenum Board (D) [A-1.75"-3"]	Plenum Board (E) [C-1.75"-4.5"]	Plenum Board (F) [A-0.75"-3"]	Plenum Board (G) [B-1"-1"]	8" DUCT	12" DUCT	14" DUCT
							FITS DUCT? YES OR NO		
14-1/2	21	28	9-3/4	21-3/4	10-3/4	19	YES	NO	NO
17-1/2		28	12-3/4	21-3/4	13-3/4			YES	NO
21		28	16-1/4	21-3/4	17-1/4			YES	YES
15		28	10-1/4	21-3/4	11-1/4			YES	YES
17-1/2		33	12-3/4	26-3/4	13-3/4			YES	NO
21		33	16-1/4	26-3/4	17-1/4			YES	YES
24-1/2		33	19-3/4	26-3/4	20-3/4			YES	YES
25		33	20-1/4	26-3/4	21-1/4			YES	YES
17-1/2		40	12-3/4	33-3/4	13-3/4			YES	NO
21		40	16-1/4	33-3/4	17-1/4			YES	YES
24-1/2		40	19-3/4	33-3/4	20-3/4			YES	YES

**FIGURE 2**

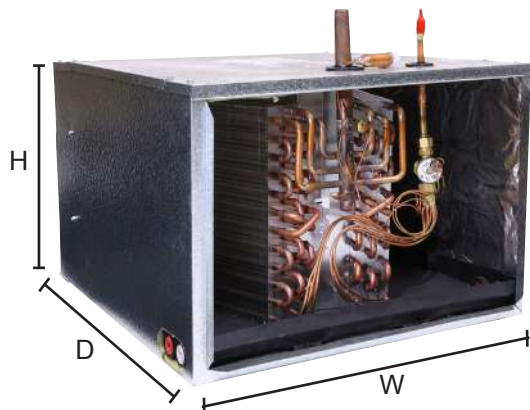


In keeping with its commitment to continuous improvement, Aspen Manufacturing reserves the right to make changes without notice and incurring obligation. To stay up-to-date with this product and Aspen's trusted line of coils, air handlers, and more, go to our website. CP-Spec-2025-03

# CX SERIES

## COPPER DEDICATED HORIZONTAL EVAPORATOR COIL

### FEATURES, BENEFITS, DIMENSIONS, & SPECIFICATIONS



Unit shown with service panels removed. Representative drawing only. Some models may vary in appearance. Due to continuous product improvement, specifications are subject to change without notice.

### FEATURES AND BENEFITS:

- Rifled aluminum tubing, enhanced aluminum fins.
- Air pressure tested at 500 psi, leak tested with Helium, then Nitrogen-pressurized and sealed.
- Inlet and outlet dimensions are identical (without end caps).
- Externally mounted flowrater body with Schrader valve for hiss-testing or internally mounted factory installed TXV.
- Refrigerant lines exit top of coil.
- Three-piece service door.
- Embossed galvanized cabinets standard. (OEM painted cabinet available).
- Fully insulated cabinets with faced insulation.
- Built-in auxiliary drain pan with 3/4" FPT.
- Heavy duty plastic drain pan with four 3/4" FPT condensate drains (two per side).
- AHRI certifiable with all brands of A/C and heat pump systems.
- ETL listed for use with R-22, R-410A, R-454A, and R-32 when proper metering device is used.
- Ten-year limited warranty with registration.



### WANT MORE INFORMATION ON ASPEN'S CX SERIES EVAPORATOR COILS?

SCAN QR CODE TO VISIT THIS PRODUCT ON OUR WEBSITE



*For complete warranty details, please visit our Warranty Information tab when you visit Aspen's website. To view this coil's product information online for the most up-to-date information scan the QR Code.*

In keeping with its commitment to continuous improvement, Aspen Manufacturing reserves the right to make changes without notice and incurring obligation. To stay up-to-date with this product and Aspen's trusted line of coils, air handlers, and more, go to our website. CX-Spec-2025-03

# SPECIFICATIONS & PERFORMANCE:

COIL MODEL	NOMINAL CAPACITY (BTUs)	DIMENSIONS					SHIPPING INFORMATION			
		CABINET			COIL		WEIGHT (LBS)		SKID QTY	
		WIDTH (W)	DEPTH (D)	HEIGHT (H)	WIDTH	HEIGHT	3 ROW	4 ROW		
CX24A*	24,000	21	22	14-1/2	20	13-1/2	35	39	16	
CX24B*			22	15		14	37	42	16	
CX24E*			27	17-1/2		16-1/2	50	57	16	
CX30A*	30,000		22	15		14	37	42	16	
CX30E*			27	17-1/2		16-1/2	50	57	16	
CX36A*	36,000		22	15		14	37	42	16	
CX36B*			27	17-1/2		16-1/2	47	53	16	
CX36C*			22	17-1/2		16-1/2	41	47	16	
CX36E*			27	21		20	56	65	12	
CX42C*	42,000		27	21		20	58	67	12	
CX42D*			32	21		20	65	74	6	
CX48A*	48,000		27	17-1/2		16-1/2	49	56	16	
CX48B*			27	21		20	56	64	12	
CX48C*			27	21		20	56	65	12	
CX48D*			32	21		20	66	75	6	
CX60A*	60,000	27	21	20	58	67	6			
CX60B*		32	21	20	66	75	6			
CX60C*		32	24-1/2	23-1/2	77	90	6			
CX60D*		32	25	24	79	91	6			
CX60E*		32	25	24	82	95	6			

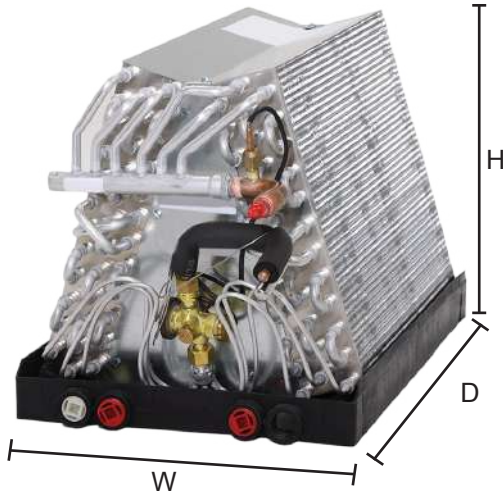


In keeping with its commitment to continuous improvement, Aspen Manufacturing reserves the right to make changes without notice and incurring obligation. To stay up-to-date with this product and Aspen's trusted line of coils, air handlers, and more, go to our website. DR-Spec-2025-03

# DA SERIES

## UNCASED ALUMINUM UPFLOW/DOWNFLOW EVAPORATOR COIL

### FEATURES, BENEFITS, DIMENSIONS, & SPECIFICATIONS



Unit shown with service panels removed. Representative drawing only. Some models may vary in appearance. Due to continuous product improvement, specifications are subject to change without notice.

### FEATURES AND BENEFITS:

- Rifled aluminum tubing, enhanced aluminum fins.
- Left or right-hand refrigerant and plumbing connections.
- Externally mounted flowrater body with Schrader valve for hiss-testing.
- Air pressure at 500 psi, leak tested with Helium, then Nitrogen-pressurized and sealed.
- Heavy gauge plastic drain pans on most models.
- Upflow without field modification. Downflow applications require field kit, sold separately.
- AHRI certifiable with all brands of A/C and heat pump systems.
- ETL listed for use with R-410A, R-454B, R-22, and R-32 when proper metering device is used.
- Ten-year limited warranty.

### CUSTOMIZATION

- Factory or field-installed TXV available.
- Powder-painted metal or stainless pans.
- Schrader mounted on suction manifold, external to cabinet.

### DOWNFLOW KIT PARTS

#### METAL DRAIN PANS:

- 16" DWNFLWM-16
- 18" DWNFLWM-18

#### PLASTIC DRAIN PANS:

- DWNFLWP



**WANT MORE INFORMATION ON ASPEN'S DA SERIES EVAPORATOR COILS?**

SCAN QR CODE TO VISIT THIS PRODUCT ON OUR WEBSITE



*For complete warranty details, please visit our Warranty Information tab when you visit Aspen's website. To view this coil's product information online for the most up-to-date information scan the QR Code.*

In keeping with its commitment to continuous improvement, Aspen Manufacturing reserves the right to make changes without notice and incurring obligation. To stay up-to-date with this product and Aspen's trusted line of coils, air handlers, and more, go to our website. DA-Spec-2025-03



# SPECIFICATIONS & PERFORMANCE:

COIL MODEL	NOMINAL CAPACITY (BTUs)	PAN DIMENSIONS						SHIPPING INFORMATION			
		WIDTH (W)				DEPTH (D)	BARE SLAB HEIGHT (H)	WEIGHT (LBS)			SKID QTY
		13	16	19-1/2	23			2 ROW	3 ROW	4 ROW	
DA24A*	24,000	13	16	19-1/2	N/A	19-3/8	13-1/2	11	16	21	30
DA24B*		13	16		N/A	19-3/8	15-1/2	12	18	24	25
DA24C*		13	16		N/A	19-3/8	17-1/2	14	22	28	25
DA24D*		13	16		N/A	19-3/8	19-1/2	15	24	32	20
DA30A*	30,000	13	16		N/A	19-3/8	15-1/2	12	18	24	25
DA30B*		13	16		N/A	19-3/8	17-1/2	14	22	28	25
DA30C*		13	16		N/A	19-3/8	19-1/2	15	24	32	20
DA30D*		13	16		N/A	19-3/8	21-1/2	17	27	35	16
DA36A*	36,000	13	16		N/A	19-3/8	17-1/2	14	22	28	25
DA36B*		13 for 2, 3R; 16 for 4R	16		N/A	19-3/8	19-1/2	15	24	32	20
DA36C*		16	16		N/A	19-3/8	21-1/2	17	27	35	16
DA36D*		16	16		N/A	19-3/8	23-1/2	19	29	38	12
DA42A*	42,000	N/A	16	23	19-3/8	19-1/2	15	24	32	20	
DA42B*		N/A	16	23	19-3/8	21-1/2	17	27	35	16	
DA42C*		N/A	16	23	19-3/8	23-1/2	19	29	38	12	
DA42D*		N/A	16	23	19-3/8	25-1/2	20	32	42	12	
DA48A*	48,000	N/A	16	23	19-3/8	21-1/2	17	27	35	16	
DA48B*		N/A	16	23	19-3/8	23-1/2	19	29	38	12	
DA48C*		N/A	16	23	19-3/8	25-1/2	20	32	42	12	
DA48D*		N/A	16	23	19-3/8	27-1/2	22	35	46	12	
DA60A*	60,000	N/A	N/A	23	19-3/8	25-1/2	20	32	42	12	
DA60B*		N/A	N/A	23	19-3/8	27-1/2	22	35	46	12	
DA60C*		N/A	N/A	23	21-3/4	24-1/2	25	39	52	12	
DA60D*		N/A	N/A	23	21-3/4	26-1/2	29	45	60	12	

\*Notes: 1) Do not use plastic drain pans on oil furnaces or other applications where outlet temperatures may exceed 290 F. Specialty metal drain pans used for these applications. 2) Metal drain pan 3) For all coils – Liquid line 3/8 ODS; suction line 3/4" ODS for DA24-36, 7/8" for DA42-60"

In keeping with its commitment to continuous improvement, Aspen Manufacturing reserves the right to make changes without notice and incurring obligation. To stay up-to-date with this product and Aspen's trusted line of coils, air handlers, and more, go to our website. DA-Spec-2025-03

# DC SERIES

## CASED ALUMINUM UPFLOW/DOWNFLOW EVAPORATOR COIL

### FEATURES, BENEFITS, DIMENSIONS, & SPECIFICATIONS



Unit shown with service panels removed. Representative drawing only. Some models may vary in appearance. Due to continuous product improvement, specifications are subject to change without notice.

### FEATURES AND BENEFITS:

- Rifled aluminum tubing, enhanced aluminum fins.
- Left or right-hand refrigerant and plumbing connections.
- Embossed galvanized cabinets standard with painted options to OEM color.
- Heavy duty plastic drain pans.
- Multi-stage leak testing with high pressure testing at 500 psi, mass spectrometer pressure decay with Helium, then sealed and Nitrogen-pressurized.
- Upflow standard; downflow with field-installed kit, sold separately.
- Split access doors in front of cabinet for easy service access.
- Fully insulated cabinets with foil-faced insulation.
- AHRI certifiable with all brands of A/C and heat pump systems.
- ETL listed for use with R-410A, R-454B, R-22, and R-32 when proper metering device is used.
- Ten-year limited warranty.

### CUSTOMIZATION

- Factory or field-installed TXV available.
- Powder-painted metal or stainless pans.
- Schrader mounted on suction manifold, external to cabinet.

### DOWNFLOW KIT PARTS

#### METAL DRAIN PANS:

- 16" DWNFLWM-16
- 18" DWNFLWM-18

#### PLASTIC DRAIN PANS:

- DWNFLWP



**WANT MORE INFORMATION ON ASPEN'S DC SERIES EVAPORATOR COILS?**

SCAN QR CODE TO VISIT THIS PRODUCT ON OUR WEBSITE



*For complete warranty details, please visit our Warranty Information tab when you visit Aspen's website. To view this coil's product information online for the most up-to-date information scan the QR Code.*

In keeping with its commitment to continuous improvement, Aspen Manufacturing reserves the right to make changes without notice and incurring obligation. To stay up-to-date with this product and Aspen's trusted line of coils, air handlers, and more, go to our website. DC-Spec-2025-03

# SPECIFICATIONS & PERFORMANCE:

COIL MODEL	NOMINAL CAPACITY (BTUs)	CABINET DIMENSIONS				SHIPPING INFORMATION			
		MIN. WIDTH	MAX. WIDTH (W)	DEPTH (D)	HEIGHT (H)	WEIGHT (LBS)			SKID QTY
						2 ROW	3 ROW	4 ROW	
DC24A*	24,000	14	21	21-1/2	16	23	26	31	20
DC24B*		14	21	21-1/2	16	26	29	35	20
DC24C*		14	21	21-1/2	20	30	36	40	16
DC24D*		14	21	21-1/2	20	34	40	46	16
DC30A*	30,000	14	21	21-1/2	16	26	29	35	20
DC30B*		14	21	21-1/2	20	30	36	40	16
DC30C*		14	21	21-1/2	20	34	40	46	16
DC30D*		14	21	21-1/2	24	39	44	41	12
DC36A*	36,000	14 for 2,3R; 17 for 4R	21	21-1/2	20	30	36	40	16
DC36B*			21	21-1/2	20	34	40	46	16
DC36C*			21	21-1/2	24	39	44	41	12
DC36D*			21	21-1/2	24	43	49	50	12
DC42A*	42,000	17	24-1/2	21-1/2	20	34	40	46	16
DC42B*		17	24-1/2	21-1/2	24	39	44	41	12
DC42C*		17	24-1/2	21-1/2	24	43	49	50	12
DC42D*		17	24-1/2	21-1/2	28	44	53	61	12
DC48A*	48,000	17	24-1/2	21-1/2	24	39	44	41	12
DC48B*		17	24-1/2	21-1/2	24	43	49	50	12
DC48C*		17	24-1/2	21-1/2	28	44	53	61	12
DC48D*		17	24-1/2	21-1/2	28	48	60	65	12
DC60A*	60,000	21	24-1/2	21-1/2	28	44	53	61	12
DC60B*		21	24-1/2	21-1/2	28	48	53	61	12
DC60C* (2)		21	24-1/2	23	28	51	65	72	12
DC60D* (2)		21	24-1/2	23	33	54	67	75	12

Duct opening dimensions can be ascertained by subtracting 1.50" for top opening width/depth, 3/4" for bottom opening.

Notes: 1) Do not use plastic drain pans on oil furnaces or other applications where outlet temperatures may exceed 290 F. Specialty metal drain pans used for these applications. 2) Metal drain pan 3) For all coils – Liquid line 3/8 ODS; suction line 3/4" ODS for DC24-36, 7/8" for DC42-60.

In keeping with its commitment to continuous improvement, Aspen Manufacturing reserves the right to make changes without notice and incurring obligation. To stay up-to-date with this product and Aspen's trusted line of coils, air handlers, and more, go to our website. CC-Spec-2025-03



# DC SERIES

## HIGH-EFFICIENCY CASED ALUMINUM UPFLOW/DOWNFLOW EVAPORATOR COIL

### FEATURES, BENEFITS, DIMENSIONS, & SPECIFICATIONS



Unit shown with service panels removed. Representative drawing only. Some models may vary in appearance. Due to continuous product improvement, specifications are subject to change without notice.

### FEATURES AND BENEFITS:

- Rifled aluminum tubing, enhanced aluminum fins.
- Left or right-hand refrigerant and plumbing connections.
- Embossed galvanized cabinets standard with painted options to OEM color.
- Heavy duty plastic drain pans.
- Multi-stage leak testing with high pressure testing at 500 psi, mass spectrometer pressure decay with Helium, then sealed and Nitrogen pressurized.
- Upflow standard; downflow with field-installed kit, sold separately.
- Split access doors in front of cabinet for easy service access.
- Fully insulated cabinets with foil-faced insulation.
- AHRI certifiable with all brands of A/C and heat pump systems.
- ETL listed for use with R-410A, R-454B, R-22, and R-32 when proper metering device is used.
- Ten-year limited warranty.

### CUSTOMIZATION

- Factory or field-installed TXV available.
- High temperature plastic drain pan.
- OEM color matched cabinets.

### DOWNFLOW KIT PARTS

#### METAL DRAIN PANS:

- 16" DWNFLWM-16
- 18" DWNFLWM-18

#### PLASTIC DRAIN PANS:

- DWNFLWP



**WANT MORE INFORMATION ON ASPEN'S DC SERIES HIGH EFFICIENCY EVAPORATOR COILS?**

SCAN QR CODE TO VISIT THIS PRODUCT ON OUR WEBSITE



*For complete warranty details, please visit our Warranty Information tab when you visit Aspen's website. To view this coil's product information online for the most up-to-date information scan the QR Code.*

In keeping with its commitment to continuous improvement, Aspen Manufacturing reserves the right to make changes without notice and incurring obligation. To stay up-to-date with this product and Aspen's trusted line of coils, air handlers, and more, go to our website. DC HE-Spec-2025-03



**SPECIFICATIONS & PERFORMANCE:**

COIL MODEL	NOMINAL CAPACITY (BTUs)	CABINET DIMENSIONS				SHIPPING INFORMATION			
		MIN. WIDTH	MAX. WIDTH (W)	DEPTH (D)	HEIGHT (H)	WEIGHT (LBS)			SKID QTY
						2 ROW	3 ROW	4 ROW	
DC25A*	24,000	14	21	21-1/2	16	25	28	33	20
DC25B*		14	21		16	28		37	20
DC25C*		14	21		20	32		42	16
DC25D*		14	21		20	36		48	16
DC25E*		14	21		24	41		49	12
DC31A*	30,000	14	21		16	28		37	20
DC31B*		14	21		20	32		42	16
DC31C*		14	21		20	36		48	16
DC31D*		14	21		24	41		49	12
DC31E*		14	21		24	45		53	12
DC37A*	36,000	14	21		20	32		42	16
DC37B*		14	21		20	36		48	16
DC37C*		14	21		24	41		49	12
DC37D*		14	21		24	45		53	12
DC37E*		14	21		28	46		63	12
DC43A*	42,000	17	24-1/2		20	36		48	16
DC43B*		17	24-1/2		24	41		49	12
DC43C*		17	24-1/2		24	45		53	12
DC43D*		17	24-1/2		28	46		63	12
DC43E*		17	24-1/2		28	50		67	12
DC49A*	48,000	17	24-1/2		24	41		49	12
DC49B*		17	24-1/2	24	45	53	12		
DC49C*		17	24-1/2	28	46	63	12		
DC49D*		17	24-1/2	28	50	67	12		
DC49E*		17	24-1/2	32	56	77	12		
DC61A*	60,000	21	24-1/2	28	46	63	12		
DC61B*		21	24-1/2	28	50	67	12		
DC61C*		21	24-1/2	32	53	72	12		
DC61D*		21	24-1/2	32	56	77	12		

Duct opening dimensions can be ascertained by subtracting 1.50" for top opening width/depth, 3/4" for bottom opening.

Notes: 1) Do not use plastic drain pans on oil furnaces or other applications where outlet temperatures may exceed 290 F. Specialty metal drain pans used for these applications. 2) Metal drain pan 3) For all coils – Liquid line 3/8 ODS; suction line 3/4" ODS for DC24-36, 7/8" for DC42-60.

In keeping with its commitment to continuous improvement, Aspen Manufacturing reserves the right to make changes without notice and incurring obligation. To stay up-to-date with this product and Aspen's trusted line of coils, air handlers, and more, go to our website. DC HE-Spec-2025-03



# DE SERIES

## CASED ALUMINUM MULTI-POSITION EVAPORATOR COIL

### FEATURES, BENEFITS, DIMENSIONS, & SPECIFICATIONS



Unit shown with service panels removed. Representative drawing only. Some models may vary in appearance. Due to continuous product improvement, specifications are subject to change without notice.

### FEATURES AND BENEFITS:

- Rifled aluminum tubing, enhanced aluminum fins.
- Left or right-hand refrigerant and plumbing connections.
- Externally mounted flowrater body with Schrader valve for hiss-testing.
- Heavy duty plastic or metal drain pans powder coated galvanized steel horizontal drain pans standard.
- Embossed galvanized steel cabinets standard. Cabinet feature furnace connectors.
- Air pressure tested at 500 psi, leak tested with Helium, then sealed and Nitrogen- pressurized.
- Upflow, horizontal right, and horizontal left without field modification. Downflow applications require field kit, sold separately.
- Split access doors in front of cabinet for easy service access.
- Fully insulated cabinets with foil-faced insulation.
- AHRI certifiable with all brands of A/C and heat pump systems.
- ETL listed for use with R-410A, R-454B, R-22, and R-32 when proper metering device is used.
- Ten-year limited warranty.

### CUSTOMIZATION

- Factory or field-installed TXV available.
- Painted cabinets.
- High-temperature plastic drain pan.



**WANT MORE INFORMATION ON ASPEN'S DC SERIES HIGH EFFICIENCY EVAPORATOR COILS?**

SCAN QR CODE TO VISIT THIS PRODUCT ON OUR WEBSITE



*For complete warranty details, please visit our Warranty Information tab when you visit Aspen's website. To view this coil's product information online for the most up-to-date information scan the QR Code.*

In keeping with its commitment to continuous improvement, Aspen Manufacturing reserves the right to make changes without notice and incurring obligation. To stay up-to-date with this product and Aspen's trusted line of coils, air handlers, and more, go to our website. DE-Spec-2025-03

# SPECIFICATIONS & PERFORMANCE:

COIL MODEL	NOMINAL CAPACITY (BTUs)	CABINET DIMENSIONS				SHIPPING INFORMATION			
		MIN. WIDTH	MAX. WIDTH (W)	DEPTH (D)	HEIGHT (H)	WEIGHT (LBS)			SKID QTY
						2 ROW	3 ROW	4 ROW	
DE24A*	24,000	14	21	21-1/2	19	38	41	46	20
DE24B*		14	21		19	41	44	50	20
DE24C*		14	21		23	45	51	55	16
DE24D*		14	21		23	49	55	61	16
DE24E*		14	21		27	54	59	62	12
DE30A*	30,000	14	21		19	41	44	50	20
DE30B*		14	21		23	45	51	55	16
DE30C*		14	21		23	49	55	61	12
DE30D*		14	21		27	54	59	62	12
DE30E*		14	21		27	58	64	66	12
DE36A*	36,000	14 for 2, 3R; 17 for 4R	21		23	45	51	55	12
DE36B*			21		23	49	55	61	12
DE36C*			21		27	54	59	62	12
DE36D*			21		27	58	64	66	12
DE36E*		17	21		30	59	68	76	10
DE42A*	42,000	17	24-1/2	23	49	55	61	12	
DE42B*		17	24-1/2	27	54	59	62	12	
DE42C*		17	24-1/2	27	58	64	66	12	
DE42D*		17	24-1/2	30	69	68	76	10	
DE42E*		17	24-1/2	30	63	75	80	12	
DE48A*	48,000	17	24-1/2	27	54	59	62	12	
DE48B*		17	24-1/2	30	58	64	66	12	
DE48C*		17	24-1/2	30	59	68	76	12	
DE48D*		17	24-1/2	30	63	75	80	12	
DE48E*		17	24-1/2	35	69	82	90	12	
DE60A*	60,000	21	24-1/2	30	59	68	76	12	
DE60B*		21	24-1/2	30	63	75	80	12	
DE60C*		21	24-1/2	35	66	78	85	12	
DE60D*		21	24-1/2	35	69	82	90	12	

Duct opening dimensions can be ascertained by subtracting 1.50" for top opening width/depth, 3/4" for bottom opening.

Notes: 1) Not all drain pan sizes are currently available in heavy duty plastic. Check with your local Aspen representative for current availability. 2) Metal drain pan. Do not use heavy duty plastic drain pans on oil furnaces or other applications where outlet temperatures may exceed 290°F±5°F. Specialty metal drain pans for these applications. 3) For all coils – Liquid line 3/8 ODS; suction line 3/4" ODS for DC24-36, 7/8".

In keeping with its commitment to continuous improvement, Aspen Manufacturing reserves the right to make changes without notice and incurring obligation. To stay up-to-date with this product and Aspen's trusted line of coils, air handlers, and more, go to our website. DE-Spec-2025-03

# DE SERIES

## HIGH EFFICIENCY CASED MULTI-POSITION ALUMINUM EVAPORATOR COIL

### FEATURES, BENEFITS, DIMENSIONS, & SPECIFICATIONS



Unit shown with service panels removed. Representative drawing only. Some models may vary in appearance. Due to continuous product improvement, specifications are subject to change without notice.

### FEATURES AND BENEFITS:

- Rifled aluminum tubing, enhanced aluminum fins.
- Left or right-hand refrigerant and plumbing connections.
  - Liquid line - 3/8" ODS DE24-36 and 7/8" for DE42-60.
- Externally mounted flowrater body with Schrader valve for hiss-testing.
- Heavy duty plastic drain pans standard.
- Embossed galvanized steel cabinets standard with painted options for OEM color.
- Multi-stage leak testing with high-pressure testing at 500 psi, mass spectrometer pressure decay with Helium, then sealed and Nitrogen-pressurized.
- Upflow standard; downflow with field-installed kit, sold separately.
- Split access doors in front of cabinet for easy service access.
- Fully insulated cabinets with foil-faced insulation.
- AHRI certifiable with all brands of A/C and heat pump systems.
- ETL listed for use with R-410A, R-454B, R-22, and R-32 when proper metering device is used.
- Ten-year limited warranty.

### CUSTOMIZATION

- Factory or field-installed TXV available.
- OEM color-matched cabinets.
- High-temperature plastic drain pan.



**WANT MORE INFORMATION ON ASPEN'S DE SERIES HIGH EFFICIENCY EVAPORATOR COILS?**

SCAN QR CODE TO VISIT THIS PRODUCT ON OUR WEBSITE



*For complete warranty details, please visit our Warranty Information tab when you visit Aspen's website. To view this coil's product information online for the most up-to-date information scan the QR Code.*

In keeping with its commitment to continuous improvement, Aspen Manufacturing reserves the right to make changes without notice and incurring obligation. To stay up-to-date with this product and Aspen's trusted line of coils, air handlers, and more, go to our website. DE HE-Spec-2025-03



# SPECIFICATIONS & PERFORMANCE:

COIL MODEL	NOMINAL CAPACITY (BTUs)	CABINET DIMENSIONS				SHIPPING INFORMATION					
		MIN. WIDTH	MAX. WIDTH (W)	DEPTH (D)	HEIGHT (H)	WEIGHT (LBS)			SKID QTY		
						2 ROW	3 ROW	4 ROW			
DE25A*	24,000	14	21	21-1/2	19	35	38	43	20		
DE25B*		14			19	38	41	47	20		
DE25C*		14			23	42	48	52	16		
DE25D*		14			23	46	52	58	16		
DE25E*		14			27	51	56	59	12		
DE31A*	30,000	14			21	21-1/2	19	38	41	47	20
DE31B*		14					23	42	48	52	16
DE31C*		14					23	46	52	58	12
DE31D*		14					27	51	56	59	12
DE31E*		14					27	55	61	63	12
DE37A*	36,000	14 for 2, 3R; 17 for 4R	21	21-1/2			23	42	48	52	12
DE37B*							23	46	52	58	12
DE37C*							27	51	56	59	12
DE37D*							27	55	61	63	12
DE37E*							17	30	56	65	73
DE43A*	42,000	17			24-1/2	21-1/2	23	46	52	58	12
DE43B*		17					27	51	56	59	12
DE43C*		17					27	55	61	63	12
DE43D*		17					30	56	65	73	10
DE43E*		17					30	60	72	77	12
DE49A*	48,000	17	24-1/2	21-1/2			27	51	56	59	12
DE49B*		17					27	55	61	63	12
DE49C*		17					30	56	65	73	12
DE49D*		17					30	60	72	77	12
DE49E*		17					35	66	79	87	12
DE61A*	60,000	21			24-1/2	21-1/2	30	56	65	73	12
DE61B*		21					30	63	72	77	12
DE61C*		21					35	66	75	82	12
DE61D*		21					35	66	79	87	12

Duct opening dimensions can be ascertained by subtracting 1.50" for top opening width/depth, 3/4" for bottom opening.

Notes: 1) Do not use heavy duty plastic drain pans on oil furnaces or other applications where outlet temperatures may exceed 290°F +/-5°F. Specialty metal drain pans for these applications. 2) Metal drain pan. 3) For all coils - Liquid line 3/8" ODS for DE24-36, 7/8" for DE42-60.

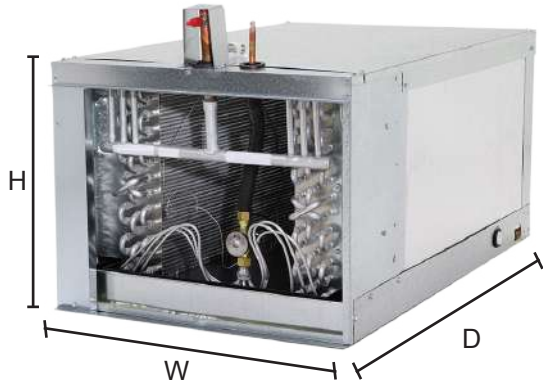
In keeping with its commitment to continuous improvement. Aspen Manufacturing reserves the right to make changes without notice and incurring obligation. To stay up-to-date with this product and Aspen's trusted line of coils, air handlers, and more, go to our website. DE HE-Spec-2025-03



# DR SERIES

## ALUMINUM DEDICATED HORIZONTAL PLENUM COIL WITH BUILT-IN AUXILIARY DRAIN PAN

### FEATURES, BENEFITS, DIMENSIONS, & SPECIFICATIONS



Unit shown with service panels removed. Representative drawing only. Some models may vary in appearance. Due to continuous product improvement, specifications are subject to change without notice.

### FEATURES AND BENEFITS:

- Rifled aluminum tubing, enhanced aluminum fins.
- Air pressure tested at 500 psi, leak tested with Helium, then Nitrogen-pressurized and sealed.
- Refrigerant and plumbing connections:
  - Liquid line - 3/8" ODS
  - Suction line
    - 3/4" ODS on 1-1/2-ton to 3-ton
    - 7/8" on 3-1/2-ton to 5-ton
- Externally mounted flowrater body or internally mounted factory-installed TXV.
- Schrader valve on liquid line for hiss-testing.
- Refrigerant lines exit top of coil.
- Split access doors in front of cabinet for easy service access.
- Plastic drain pans (primary and secondary).
- Built-in auxiliary drain pan with 3/4" FPT.
- Plenum sides and end constructed of foil-backed faced fiberglass duct-board. Plenum top and bottom constructed of galvanized steel.
- AHRI certifiable with all brands of A/C and heat pump systems.
- ETL listed for use with R-22, R-410A, R-454A, and R-32 when proper metering device is used.
- Patented design (Patent No. 8,869,548 B2).
- Ten-year limited warranty with registration.



**For complete warranty details, please visit our Warranty Information tab when you visit Aspen's website. To view this coil's product information online for the most up-to-date information scan the QR Code.**

In keeping with its commitment to continuous improvement, Aspen Manufacturing reserves the right to make changes without notice and incurring obligation. To stay up-to-date with this product and Aspen's trusted line of coils, air handlers, and more, go to our website. DR-Spec-2025-03



# SPECIFICATIONS & PERFORMANCE:

COIL MODEL	NOM. CAPACITY (BTUs)	DIMENSIONS					SHIPPING INFORMATION			
		CABINET			INSIDE		WEIGHT (LBS)			SKID QTY
		WIDTH (W)	DEPTH (D)	HEIGHT (H)	WIDTH	HEIGHT	2 ROW	3 ROW	4 ROW	
DR24A*	24,000	20-1/2	31	15-1/2	19-1/4	14	27	33	N/A	16
DR24B*			31	19-1/2		18	31	36		16
DR24C*			31	23-1/2		22	37	45		16
DR24D*			31	19-1/2		18	42	51		16
DR30A*	30,000		31	15-1/2		14	31	38		16
DR30B*			31	19-1/2		18	31	36		16
DR30C*			31	23-1/2		22	37	45		16
DR30D*			31	19-1/2		18	42	51		16
DR36A*	36,000		31	15-1/2		14	36	43		16
DR36B*			31	19-1/2		18	36	43		16
DR36C*			31	23-1/2		22	37	45		12
DR36D*			40	19-1/2		18	60	73		16
DR42A*	42,000		40	19-1/2		18	40	49		16
DR42B*			40	23-1/2		22	44	52		12
DR42C*			40	25-1/2		24	40	49		12
DR42D*			40	23-1/2		22	52	62		12
DR48A*	48,000	40	23-1/2	22	49	60	12			
DR48B*		40	25-1/2	24	47	57	12			
DR48C*		40	25-1/2	24	60	73	89			
DR48D*		40	23-1/2	22	59	72	12			
DR60A*	60,000	40	23-1/2	22	81	97	N/A	12		
DR60B*		40	25-1/2	24	81	98		12		
DR60C*		40	25-1/2	24	85	101		12		

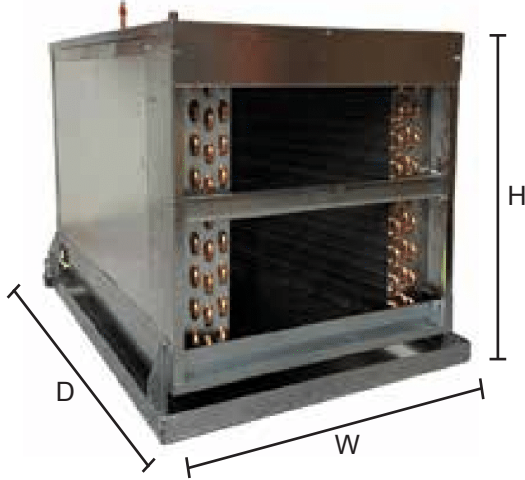


In keeping with its commitment to continuous improvement, Aspen Manufacturing reserves the right to make changes without notice and incurring obligation. To stay up-to-date with this product and Aspen's trusted line of coils, air handlers, and more, go to our website. DR-Spec-2025-03

# DP SERIES

## ALUMINUM DEDICATED HORIZONTAL EVAPORATOR COIL WITH PLENUM

### FEATURES, BENEFITS, DIMENSIONS, & SPECIFICATIONS



Unit shown with service panels removed. Representative drawing only. Some models may vary in appearance. Due to continuous product improvement, specifications are subject to change without notice.

### FEATURES AND BENEFITS:

- Rifled aluminum tubing, enhanced aluminum fins.
- Refrigerant and plumbing connections:
  - Liquid line - 3/8" ODS
  - Suction line
    - 3/4" ODS on 1-1/2-ton to 3-ton
    - 7/8" on 3-1/2-ton to 5-ton
- Refrigerant lines exit from the top of the coil with Schrader valve for hiss-testing.
- Three-piece access doors on top of the coil for easy service.
- Fully insulated cabinet with plenum sides and back constructed of foil-backed, faced, one-inch thick, fiberglass duct-board.
- Air pressure tested at 500 psi, leak tested with Helium, then sealed and Nitrogen-pressurized.
- Heavy duty plastic pan with 4.75" NPT condensate drains on each side of the coil.
- Secondary metal drain pan included with one inch spacing around the cabinet for turnkey installation.
- AHRI certifiable with all brands of A/C and heat pump systems.
- ETL listed for use with R-410A, R-454B, R-22, and R-32 when proper metering device is used.
- Ten-year limited warranty.



### WANT MORE INFORMATION ON ASPEN'S DP SERIES EVAPORATOR COILS?

SCAN QR CODE TO VISIT THIS PRODUCT ON OUR WEBSITE



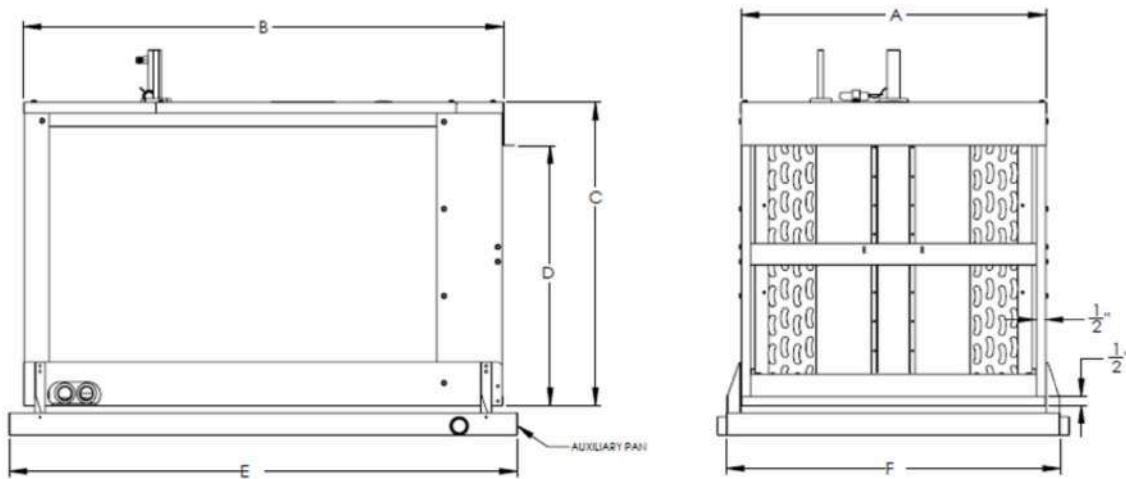
*For complete warranty details, please visit our Warranty Information tab when you visit Aspen's website. To view this coil's product information online for the most up-to-date information scan the QR Code.*

In keeping with its commitment to continuous improvement, Aspen Manufacturing reserves the right to make changes without notice and incurring obligation. To stay up-to-date with this product and Aspen's trusted line of coils, air handlers, and more, go to our website. DP-Spec-2025-03

# SPECIFICATIONS & PERFORMANCE:

DIMENSIONAL DATA - FIGURE 1									
COIL MODEL	NOM. CAPACITY (BTU)	DIMENSIONS					SHIPPING INFO.		
		CABINET			RETURN OPENING (HXW)	AUX PAN (DXW)	WEIGHT (LB)		SKID QTY
		WIDTH (W)	DEPTH (D)	APPLICABLE HEIGHT RANGE (H)			3 ROW	4 ROW	
DP25A*	25,000	21	28	14-1/2	13-1/2 X 20	30 X 23	37	41	16
DP25B*			28	15	14 X 20	30 X 23	39	44	16
DP25E*			28	17-1/2	16-1/2 X 20	30 X 23	52	59	16
DP31A*	31,000		28	15	14 X 20	30 X 23	39	44	16
DP31E*			28	17-1/2	16-1/2 X 20	30 X 23	52	59	16
DP37A*	37,000		28	15	14 X 20	30 X 23	39	44	16
DP37B*			28	17-1/2	16-1/2 X 20	30 X 23	49	55	16
DP37C*			28	17-1/2	16-1/2 X 20	30 X 23	43	49	16
DP37D*			33	21	20 X 20	35 X 23	68	77	6
DP37E*			28	21	20 X 20	30 X 23	58	67	12
DP37F*		28	17-1/2	16-1/2 X 20	30 X 23	40	47	16	
DP43C*	43,000	28	17-1/2	16-1/2 X 20	30 X 23	60	69	12	
DP43D*		33	17-1/2	16-1/2 X 20	35 X 23	67	76	6	
DP49A*	49,000	28	17-1/2	16-1/2 X 20	30 X 23	51	58	16	
DP49B*		28	21	20 X 20	30 X 23	58	66	12	
DP49C*		28	21	20 X 20	30 X 23	58	67	12	
DP49D*		33	21	20 X 20	35 X 23	68	77	6	
DP61A*	61,000	28	21	20 X 20	30 X 23	60	69	6	
DP61B*		33	21	20 X 20	35 X 23	68	77	6	
DP61C*		33	24-1/2	23-1/2 X 20	35 X 23	79	92	6	
DP61D*		33	25	24 X 20	35 X 23	81	93	6	
DP61E*		33	25	24 X 20	35 X 23	83	97	6	
DP61F*		28	24-1/2	23-1/2 X 20	35 X 23	53	60	6	

**FIGURE 1**

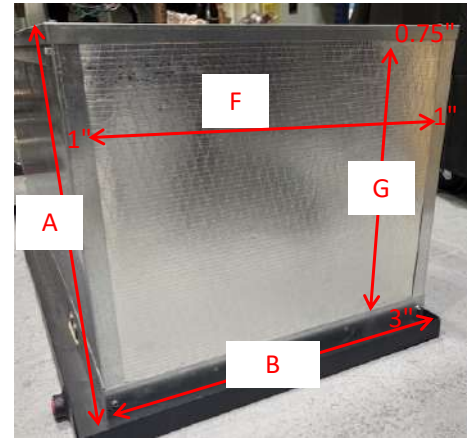
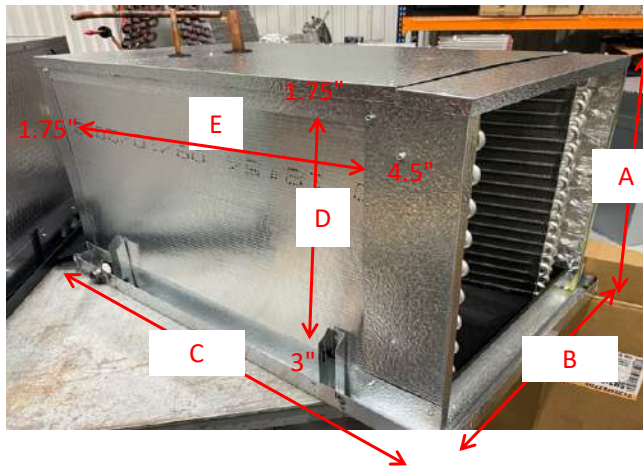


In keeping with its commitment to continuous improvement, Aspen Manufacturing reserves the right to make changes without notice and incurring obligation. To stay up-to-date with this product and Aspen's trusted line of coils, air handlers, and more, go to our website. DP-Spec-2025-03

**CABINET SIZES - FIGURE 2**

HEIGHT A	WIDTH B	DEPTH (C)	SIDE		FRONT		DUCTING SIZE		
			Plenum Board D [A-1.75"-3"]	Plenum Board E [C-1.75"-4.5"]	Plenum Board F [A-0.75"-3"]	Plenum Board G [B-1"-1"]	8" DUCT	12" DUCT	14" DUCT
							FITS DUCT? YES OR NO		
14-1/2	21	28	9-3/4	21-3/4	10-3/4	19	YES	NO	NO
17-1/2		28	12-3/4	21-3/4	13-3/4			YES	NO
21		28	16-1/4	21-3/4	17-1/4			YES	YES
15		28	10-1/4	21-3/4	11-1/4			YES	YES
17-1/2		33	12-3/4	26-3/4	13-3/4			YES	NO
21		33	16-1/4	26-3/4	17-1/4			YES	YES
24-1/2		33	19-3/4	26-3/4	20-3/4			YES	YES
25		33	20-1/4	26-3/4	21-1/4			YES	YES
17-1/2		40	12-3/4	33-3/4	13-3/4			YES	NO
21		40	16-1/4	33-3/4	17-1/4			YES	YES
24-1/2		40	19-3/4	33-3/4	20-3/4			YES	YES

**FIGURE 2**

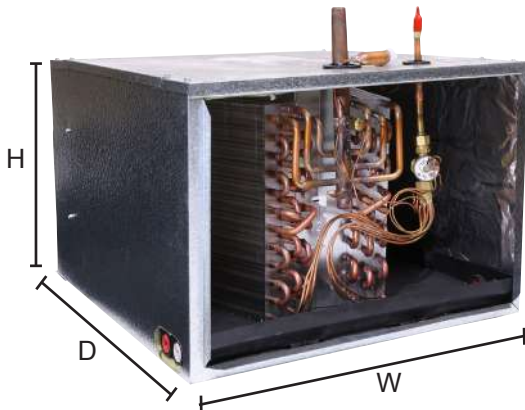


In keeping with its commitment to continuous improvement, Aspen Manufacturing reserves the right to make changes without notice and incurring obligation. To stay up-to-date with this product and Aspen's trusted line of coils, air handlers, and more, go to our website. DP-Spec-2025-03

# DX SERIES

## ALUMINUM DEDICATED HORIZONTAL EVAPORATOR COIL

### FEATURES, BENEFITS, DIMENSIONS, & SPECIFICATIONS



Unit shown with service panels removed. Representative drawing only. Some models may vary in appearance. Due to continuous product improvement, specifications are subject to change without notice.

### FEATURES AND BENEFITS:

- Rifled aluminum tubing, enhanced aluminum fins.
- Air pressure tested at 500 psi, leak tested with Helium, then Nitrogen-pressurized and sealed.
- Inlet and outlet dimensions are identical (without end caps).
- Externally mounted flowrater body with Schrader valve for hiss-testing or internally mounted factory installed TXV.
- Refrigerant lines exit top of coil.
- Three-piece service door.
- Embossed galvanized cabinets standard. (OEM painted cabinet available).
- Fully insulated cabinets with faced insulation.
- Built-in auxiliary drain pan with 3/4" FPT.
- Heavy duty plastic drain pan with four 3/4" FPT condensate drains (two per side).
- AHRI certifiable with all brands of A/C and heat pump systems.
- ETL listed for use with R-22, R-410A, R-454A, and R-32 when proper metering device is used.
- Ten-year limited warranty with registration.



### WANT MORE INFORMATION ON ASPEN'S DX SERIES EVAPORATOR COILS?

SCAN QR CODE TO VISIT THIS PRODUCT ON OUR WEBSITE



*For complete warranty details, please visit our Warranty Information tab when you visit Aspen's website. To view this coil's product information online for the most up-to-date information scan the QR Code.*

In keeping with its commitment to continuous improvement, Aspen Manufacturing reserves the right to make changes without notice and incurring obligation. To stay up-to-date with this product and Aspen's trusted line of coils, air handlers, and more, go to our website. DX-Spec-2025-03





## SPECIFICATIONS & PERFORMANCE:

COIL MODEL	NOMINAL CAPACITY (BTU)	DIMENSIONS					SHIPPING INFORMATION			
		CABINET			COIL		WEIGHT (LBS)		SKID QTY	
		WIDTH (W)	DEPTH (D)	HEIGHT (H)	WIDTH	HEIGHT	3 ROW	4 ROW		
DX24A*	24,000	21	22	14-1/2	20	13-1/2	35	39	16	
DX24B*			22	15		14	37	42	16	
DX24E*			27	17-1/2		16-1/2	50	57	16	
DX30A*	30,000		22	15		14	37	42	16	
DX30E*			27	17-1/2		16-1/2	50	57	16	
DX36A*	36,000		22	15		14	37	42	16	
DX36B*			27	17-1/2		16-1/2	47	53	16	
DX36C*			22	17-1/2		16-1/2	41	47	16	
DX36D*			32	21		20	56	65	6	
DX36E*			27	21		20	56	65	12	
DX42C*	42,000		27	21		20	58	67	12	
DX42D*			32	21		20	65	74	6	
DX48A*	48,000		27	17-1/2		16-1/2	49	56	16	
DX48B*			27	21		20	56	64	12	
DX48C*			27	21		20	56	65	12	
DX48D*			32	21		20	66	75	6	
DX60A*	60,000		27	21		20	58	67	6	
DX60B*			32	21		20	66	75	6	
DX60C*		32	24-1/2	23-1/2	77	90	6			
DX60D*		32	25	24	79	91	6			
DX60E*		32	25	24	82	95	6			
DX60F*		32	24-1/2	23-1/2	69	79	6			

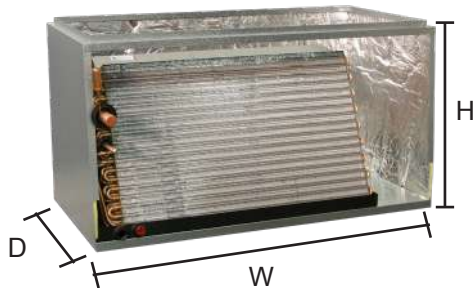
In keeping with its commitment to continuous improvement, Aspen Manufacturing reserves the right to make changes without notice and incurring obligation. To stay up-to-date with this product and Aspen's trusted line of coils, air handlers, and more, go to our website. DX-Spec-2025-03

# CC SERIES

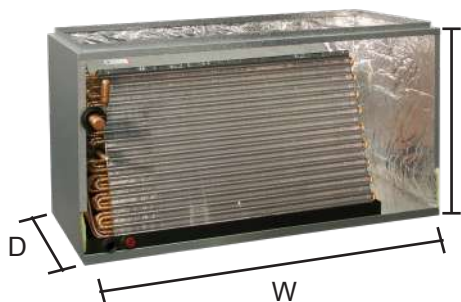
## LIGHT COMMERCIAL CASED COPPER UPFLOW EVAPORATOR COIL

### FEATURES, BENEFITS, DIMENSIONS, & SPECIFICATIONS

#### SINGLE CIRCUIT COIL



#### DOUBLE CIRCUIT COIL



Unit shown with service panels removed. Representative drawing only. Some models may vary in appearance. Due to continuous product improvement, specifications are subject to change without notice. Duct opening dimensions can be ascertained by subtracting 1.50 for top opening width/depth, 3/4" for bottom opening.

#### FEATURES AND BENEFITS:

- Rifled copper tubing, enhanced aluminum fins.
- Left or right-hand refrigerant and plumbing connections.
  - 3/4" FPT plumbing connections.
- Embossed galvanized cabinets standard. Cabinets feature furnace connectors (patent pending).
- Factory-mounted TXV (R-410a - AC & HP compatible).
- Immersion-tested at 500 psi, then Nitrogen-pressurized and sealed.
- Upflow only. (Slab horizontal coils also available.)
- Split access doors in front of cabinet for easy service access.
- Fully insulated cabinets with foil-faced insulation.
- ETL listed for use with R-410A, R-454B, and R-32 when proper metering device is used.
- Five-year limited warranty.

ASPEN LIGHT COMMERCIAL COILS



#### WANT MORE INFORMATION ON ASPEN'S CC SERIES LIGHT COMMERCIAL EVAPORATOR COILS?

SCAN QR CODE TO VISIT THIS PRODUCT ON OUR WEBSITE

*For complete warranty details, please visit our Warranty Information tab when you visit Aspen's website.  
To view this coil's product information online for the most up-to-date information scan the QR Code.*



In keeping with its commitment to continuous improvement, Aspen Manufacturing reserves the right to make changes without notice and incurring obligation. To stay up-to-date with this product and Aspen's trusted line of coils, air handlers, and more, go to our website. CCcomm-Spec-2025-03



## SPECIFICATIONS & PERFORMANCE:

COIL MODEL	DIMENSIONS					PLUMBING CONNECTIONS		SHIPPING INFO.	
	COIL	CABINET				SUCT. LINE	LIQ. LINE	WEIGHT (LBS)	SKID QTY
	WIDTH	MIN. WIDTH	MAX. WIDTH (W)	DEPTH (D)	HEIGHT (H)				
<b>SINGLE CIRCUIT COILS</b>									
CC072A34-XXXL-000	24	30	36	21-1/2	22	7/8	3/8	84	4
CC072B34-XXXL-000	30	36	42			7/8	3/8	105	
CC072C34-XXXL-000	36	42	48			7/8	3/8	126	
CC090A34-XXXL-000	30	36	42			1-1/8	1/2	105	
CC090B34-XXXL-000	36	42	48			1-1/8	1/2	126	
CC090C34-XXXL-000	42	48	54			1-1/8	1/2	147	
CC120A34-XXXL-000	30	36	42			1-1/8	1/2	105	
CC120B34-XXXL-000	36	42	48			1-1/8	1/2	126	
CC120C34-XXXL-000	42	48	54			1-1/8	1/2	147	
CC120D44-505R-000	43	50-1/2	50-1/2			1-1/8	1/2	140	
<b>DOUBLE CIRCUIT COILS</b>									
CC072A44-XXXL-12*	24	30	36	21-1/2	22	7/8	3/8	103	4
CC072B44-XXXL-12*	30	36	42			7/8	3/8	128	
CC072C44-XXXL-12*	36	42	48			7/8	3/8	154	
CC090A44-XXXL-12*	30	36	42			1-1/8	1/2	128	
CC090B44-XXXL-12*	36	42	48			1-1/8	1/2	154	
CC090C44-XXXL-12*	42	48	54			1-1/8	1/2	180	
CC090A44-XXXL-12*	30	36	42			1-1/8	1/2	128	
CC120B44-XXXL-12*	36	42	48			1-1/8	1/2	154	
CC120C44-XXXL-12*	42	48	54			1-1/8	1/2	180	

Notes: Slabs are oriented with delta plates facing the side walls of the cabinet. Refrigerant and plumbing connections exit cabinet front. Top duct opening size can be obtained by subtracting 1.50 from width or depth. Bottom duct opening size can be obtained by subtracting 3/4 from width or depth. CC120D coil available only in 50 1/2" width, but can fit multiple furnace dimensions with supplied block off plates. (\*0 = 50/50 circuit split; 1 = intertwined circuits).

DUAL CIRCUIT COMMERCIAL COILS	SINGLE CIRCUIT R410A TXV	DUAL CIRCUIT USE 2 R410A TXV
CC72**(*)	(4) 4202	(4) 4200
CC90**(*)	(4) 3947+3948	(4) 4202
CC120**(*)		

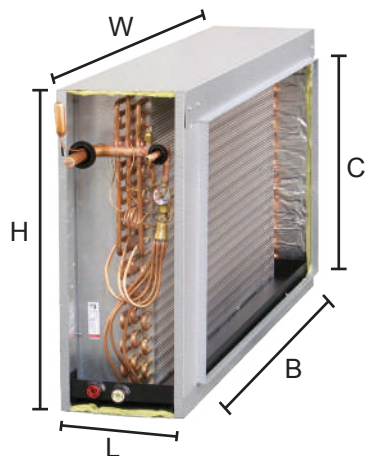
In keeping with its commitment to continuous improvement, Aspen Manufacturing reserves the right to make changes without notice and incurring obligation. To stay up-to-date with this product and Aspen's trusted line of coils, air handlers, and more, go to our website. CCcomm-Spec-2025-03

# BH SERIES

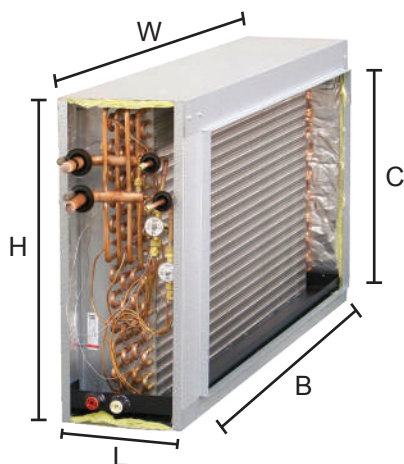
## MULTI-POSITION ELECTRIC HEAT LIGHT COMMERCIAL EVAPORATOR COIL

### FEATURES, BENEFITS, DIMENSIONS, & SPECIFICATIONS

#### SINGLE CIRCUIT COIL



#### DOUBLE CIRCUIT COIL



Unit shown with service panels removed.  
Representative drawing only. Some models  
may vary in appearance. Due to continuous  
product improvement, specifications are  
subject to change without notice.

#### FEATURES AND BENEFITS:

- Rifled copper tubing, enhanced aluminum fins.
- Standard refrigerant connections:
  - Liquid line - 3/8" ODS
  - Suction line - 7/8" ODS
- One 3/4" NPT condensate drain.
- Every coil immersion-tested at 450 psi, then Nitrogen-pressurized and sealed.
- Heavy gauge embossed galvanized cabinets fully lined with 1/2" faced insulation.
- Factory installed 20% bleed port TXV(s) standard. (See note for TXV options)
- Powder-painted galvanized steel drain pans. Stainless available.
- Single circuit. Dual circuitry available.
- Dual circuit coils can be split top-to-bottom or interfaced.
- Front access panel for easy service.
- ETL listed for use with R-410A, R-454B, and R-32 when proper metering device is used.
- Five-year limited warranty.

ASPEN LIGHT COMMERCIAL COILS



**WANT MORE INFO ON ASPEN'S BH LIGHT  
COMMERCIAL SERIES EVAPORATOR COILS?**

SCAN QR CODE TO VISIT THIS PRODUCT ON OUR WEBSITE



*For complete warranty details, please visit our Warranty Information tab when you visit Aspen's website.*

*To view this coil's product information online for the most up-to-date information scan the QR Code.*

In keeping with its commitment to continuous improvement, Aspen Manufacturing reserves the right to make changes without notice and incurring obligation. To stay up-to-date with this product and Aspen's trusted line of coils, air handlers, and more, go to our website. BHComm-Spec-2025-03



## SPECIFICATIONS & PERFORMANCE:

COIL MODEL	DIMENSIONS					SHIPPING INFORMATION		
	HEIGHT (H)	LENGTH (L)	WIDTH (W)	OPENINGS		2 ROW	3 ROW	4 ROW
				C	B			
<b>SINGLE CIRCUIT COILS</b>								
BHA24 36+X*	23-1/2	10	29-1/2	21	24	29	43	N/A
BHA40 48+X*	23-1/2		34-1/2		29	35	49	N/A
BHA40 60+X*	25		34-1/2		29	45	54	N/A
BH132 72+X*	25-1/2		41-1/2		36	44	58	N/A
BH332 72+X*	25-1/2		47-1/2		42	N/A	68	82
BH132 90+X*	25-1/2		47-1/2		42	N/A	68	82
BH332 90+X*	25-1/2		50-1/2		45	N/A	73	87
BH132 120+X*	25-1/2		47-1/2		42	N/A	68	82
BH332 120+X*	25-1/2		50-1/2		45	N/A	73	87
<b>DOUBLE CIRCUIT COILS</b>								
BHA24 36+X* XXX	23-1/2	10	29-1/2	21	24	29	43	N/A
BHA40 48+X* XXX	23-1/2		34-1/2		29	35	49	N/A
BHA40 60+X* XXX	25		34-1/2		29	45	54	N/A
BH140 72+X* XXX	25-1/2		41-1/2		36	44	58	N/A
BH340 72+X* XXX	25-1/2		47-1/2		42	N/A	68	82
BH140 90+X* XXX	25-1/2		47-1/2		42	N/A	68	82
BH340 90+X* XXX	25-1/2		50-1/2		45	N/A	73	87
BH140 120+X* XXX	25-1/2		47-1/2		42	N/A	68	82
BH340 120+X* XXX	25-1/2		50-1/2		45	N/A	73	87

**TXV offering (factory installed):** Order X4 for R410 XXX; TTB = Top to Bottom; INT = Interfaced

Notes: Slabs are oriented with delta plates facing the side walls of the cabinet. Refrigerant and plumbing connections exit cabinet front. Top duct opening size can be obtained by subtracting 1.50 from width or depth. Bottom duct opening size can be obtained by subtracting 3/4 from width or depth. CC120D coil available only in 50 1/2" width, but can fit multiple furnace dimensions with supplied block off plates. (\*0 = 50/50 circuit split; 1 = intertwined circuits)

DUAL CIRCUIT COMMERCIAL COILS	SINGLE CIRCUIT R410A TXV	DUAL CIRCUIT USE 2 R410A TXV
CC72**(*)	(4) 4202	(4) 4200
CC90**(*)	(4) 3947+3948	(4) 4202
CC120**(*)		

In keeping with its commitment to continuous improvement, Aspen Manufacturing reserves the right to make changes without notice and incurring obligation. To stay up-to-date with this product and Aspen's trusted line of coils, air handlers, and more, go to our website. BHComm-Spec-2025-03



# AAC SERIES

## CEILING MOUNT ELECTRIC HEAT AIR HANDLERS

### FEATURES, BENEFITS, DIMENSIONS, & SPECIFICATIONS



Unit shown with service panels removed. Representative drawing only. Some models may vary in appearance. Due to continuous product improvement, specifications are subject to change without notice.

#### APPLICATION VERSATILITY

Built in mounting tabs for ceiling or furrdown mounting. Louvered ceiling access panel has separate frame that attaches to ceiling joists. Solid access panel available for use with end return installations. Can be AHRI matched with most brands of air conditioners or heat pumps.

- ETL listed for use with R-22, R-410A, R-454B, and R-32 when a proper metering device is used.
- In accordance to UL 60335 Refrigerant Detection Systems are factory-installed on A2L refrigerant ready air handlers.

#### CABINET

Sturdy, fully insulated galvanized steel cabinet with painted front panels.

#### ELECTRIC HEATERS

Models with electric heat include sequencers and temperature limit switches for safe, efficient operation.

#### BLOWER

Direct drive multi-speed blowers circulate air quietly and efficiently. 2-Speed motors allow for precise air volume selection. Motor speeds can be easily selected via motor terminals. Blowers mounted on rails so they can be easily removed for service.

#### ELECTRONIC CONTROLS

Units available with either circuit breakers or terminal blocks. Controls easily accessible from the front for easy service. Fan time delay relay standard for increased efficiency. Electrical connections can be made from the top, left, or right.

#### ELECTRONIC CIRCUIT BOARD

Electronic circuit board provides 30 secs ON/OFF blower time delay extracting more heat/cool from the coil.

#### DX COIL

High efficiency rifled copper tubes/enhanced aluminum fins provide maximum heat transfer. All coils immersion tested at 500 psi then Nitrogen pressurized and factory sealed for maximum reliability. Liquid-line Schrader allows pre-installation pressure testing. Available with either orifice or TXV metering device. Field-installable bolt-on TXVs are also available. Primary and secondary condensate drain. All drain connections are 3/4" MPT. Access door allows for coil cleaning.

#### CUSTOMIZATION

Factory or field-installable TXV. OEM color matched cabinets. High temperature plastic drain pans.

**WARRANTY** Free five-year limited parts warranty

**OPTIONS** See options menu.



**WANT MORE INFORMATION ON ASPEN'S  
AAC SERIES AIR HANDLERS?**

SCAN QR CODE TO VISIT THIS PRODUCT ON OUR WEBSITE



*For complete warranty details, please visit our Warranty Information tab when you visit Aspen's website.*

*To view this coil's product information online for the most up-to-date information scan the QR Code.*

In keeping with its commitment to continuous improvement, Aspen Manufacturing reserves the right to make changes without notice and incurring obligation. To stay up-to-date with this product and Aspen's trusted line of coils, air handlers, and more, go to our website. AAC-Spec-2025-03



HEATING/COOLING PERFORMANCE & ELECTRICAL DATA										
MODEL	ELECTRIC HEAT KIT MODEL	NOM. COOLING (BTU)	PERFORMANCE DATA				ELECTRICAL DATA			
			HEATING (KW)		HEATING CAPACITY (MBTUH)		MIN. CIRCUIT AMPACITY (MCA)		MAX. BREAKER OR FUSE SIZE	
			208V	240V	208V	240V	208V	240V	208V	240V
AAC 18	G(C,T)S00	18,000	0.0	0.0	0.0	0.0	1.8	1.8	15	15
	G(C,T)S03		2.3	3.0	7.8	10.2	15.3	17.4	20	20
	G(C,T)S05		3.8	5.0	12.6	16.7	23.4	26.8	25	30
	G(C,T)S08		6.0	8.0	20.8	27.3	37.8	43.4	40	45
	G(C,T)S10		7.5	10.0	25.6	33.4	45.0	51.8	45	60
AAC 24	G(C,T)S00	24,000	0.0	0.0	0.0	0.0	1.8	1.8	15	15
	G(C,T)S03		2.3	3.0	7.8	10.2	15.3	17.4	20	20
	G(C,T)S05		3.8	5.0	12.6	16.7	23.4	26.8	25	30
	G(C,T)S06		6.0	8.0	20.8	27.3	37.8	43.4	40	45
	G(C,T)S08		7.5	10.0	25.6	33.4	45.0	51.8	45	60
AAC 30	G(C,T)S00	30,000	0.0	0.0	0.0	0.0	3.3	3.3	15	15
	G(C,T)S03		2.3	3.0	7.8	10.2	16.8	18.9	20	20
	G(C,T)S05		3.8	5.0	12.6	16.7	24.9	28.3	25	30
	G(C,T)S08		6.0	8.0	20.8	27.3	39.3	44.9	40	45
	G(C,T)S10		7.5	10.0	25.6	33.4	46.5	53.3	50	60
AAC 36/37	G(C,T)S00	36,000	0.0	0.0	0.0	0.0	3.3	3.3	15	15
	G(C,T)S03		2.3	3.0	7.8	10.2	16.8	18.9	20	20
	G(C,T)S05		3.8	5.0	12.6	16.7	24.9	28.3	25	30
	G(C,T)S06		6.0	8.0	20.8	27.3	39.3	44.9	40	45
	G(C,T)S08		7.5	10.0	25.6	33.4	46.5	53.3	50	60

BLOWER DATA									
MODEL	SPEED TAP	MOTOR			CFM V EXTERNAL STATIC				
		HP	AMPS	VOLT.	0.1	0.2	0.3	0.4	0.5
AAC 18/24	LOW	1/5	1.4	240V	890	850	820	790	760
	HIGH	1/5	1.4		1020	990	975	939	890
AAC 30/36	LOW	1/3	2.6		1115	1070	1010	960	900
	HIGH	1/3	2.6		1230	1170	1120	1050	980
AAC 37	LOW	1	7.0		1075	1030	970	820	860
	HIGH	1	7.0		1190	1130	1080	1010	940

ELECTRIC HEAT KIT NOMENCLATURE			
G	C	S	03
CEILING MOUNT ELECTRIC HEAT	<b>INTERRUPTION</b> C = CIRCUIT BREAKER T = TERMINAL BLOCK	<b>CABINET SIZE &amp; NOM. TONNAGE</b> S = 18-37	<b>HEAT STRIP</b> 03 = 3 KW 08 = 8 KW 05 = 5 KW 10 = 10 KW

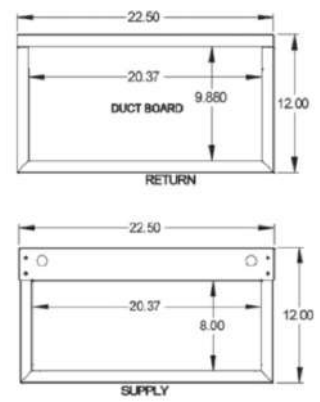
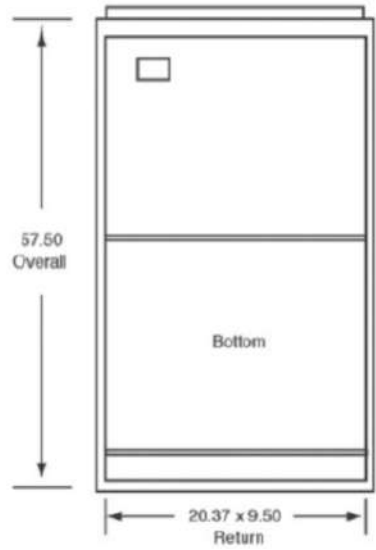


AIR HANDLER CHASSIS NOMENCLATURE			
AAC	18	4	-001
240V PSC MOTOR CEILING MOUNT	NOMINAL TONNAGE (MBTUH)	<b>A1 METERING DEVICE</b> 4 = R410A (TXV NON-BLEED A/C or H/P)    F = R22 (PISTON) X = R22 (TXV NON-BLEED A/C or H/P)    G = R410A (PISTON) B = R22 (TXV 20% BLEED A/C or H/P)	OPTION CODE
		<b>A2L METERING DEVICE</b> J = R454B (TXV NON-BLEED A/C or H/P)    M = R32 (PISTON) K = R454B (TXV 20% BLEED A/C or H/P)    N = R454B (PISTON) D = R32 (TXV NON-BLEED A/C or H/P)	

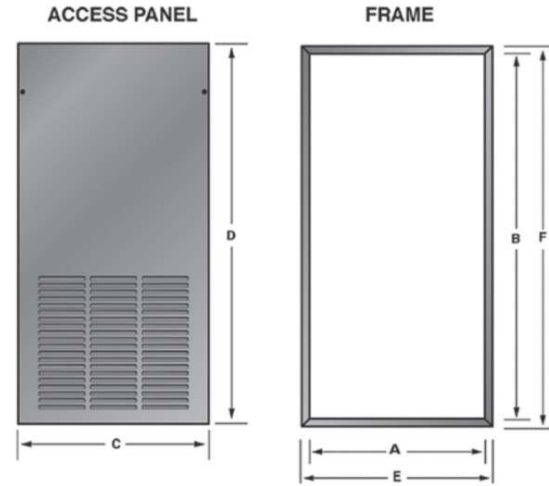
AAC DIMENSIONS (In.) - FIGURE 1								
MODEL	HEIGHT (A)	WIDTH (B)	DEPTH (C)	OPENING SIZE		FILTER SIZE	SHIPPING WEIGHT	SKID QTY
				D	E			
AAC18	57-1/2 [146]	22-1/2 [57]	12 [20]	20-3/8 [52]	8 [20]	20X20	91	6
AAC24								
AAC30							100	
AAC36/37								

AAC DIMENSIONS (In.) - FIGURE 2								
Panel Model	FOR USE WITH	OPENING SIZE		PANEL SIZE		FRAME SIZE		# OF PANELS
		A	B	C	D	E	F	
CAD-4(S/L)	AAC	22-3/4	58	24-3/4	60	24-5/8	59-7/8	2

**FIGURE 1**



**FIGURE 2**

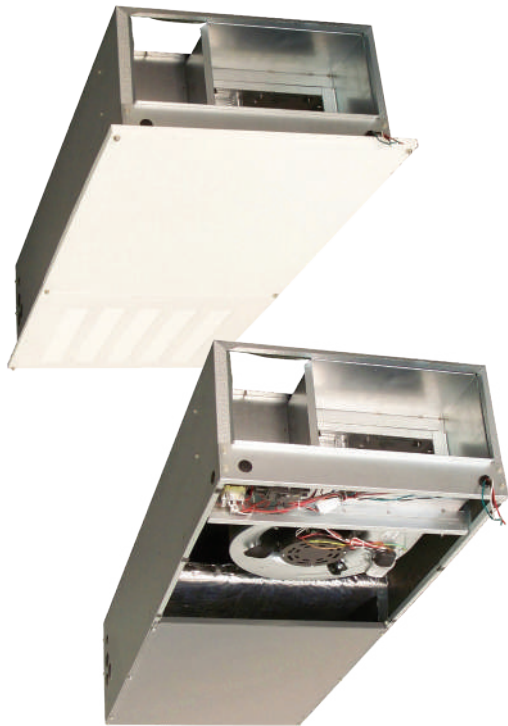


INSTALLATION CLEARANCES (In.)		
G	OPERATION	SERVICE
TOP	0	0
FRONT		30"
SIDES		0
REAR		0

# AEC SERIES

## CEILING MOUNT ELECTRIC HEAT AIR HANDLERS

### FEATURES, BENEFITS, DIMENSIONS, & SPECIFICATIONS



Unit shown with service panels removed. Representative drawing only. Some models may vary in appearance. Due to continuous product improvement, specifications are subject to change without notice.

#### APPLICATION VERSATILITY

Built in mounting tabs for ceiling or furrdown mounting. Louvered ceiling access panel has separate frame that attaches to ceiling joists. Solid access panel available for use with end return installations. Can be AHRI matched with most brands of air conditioners or heat pumps.

- ETL listed for use with R-22, R-410A, R-454B, and R-32 when a proper metering device is used.
- In accordance to UL 60335 Refrigerant Detection Systems are factory-installed on A2L refrigerant ready air handlers.

#### MOTOR

Constant torque EM speeds and torques are controlled by software embedded in the motor to maintain constant torque. Motors are pre-programmed at the factory.

#### CABINET

Sturdy, fully insulated galvanized steel cabinet with painted front panels.

#### MODULAR HEAT KITS

Heat kits available with either circuit breakers or terminal blocks. Available in 3, 5, 8, & 10 KW. Models with electric heat include sequencers and temperature limit switches for safe, efficient operation. Modules are easily installed in the field using Molex plugs or can be ordered factory-installed. Controls are accessible from the front for easy service. Electrical connections can be made from the top or left. Disconnect does not protrude

through the wall panel. Fan time delay relay standard for increased efficiency.

#### BLOWER

Direct drive multi-speed blowers circulate air quietly and efficiently. Motor speeds can be easily selected via motor terminals. Swing mounted blowers can be easily removed for service.

#### DX COIL

Electronic circuit, board provides 30 secs ON/OFF blower time delay extracting more heat/cool from the coil.

#### ELECTRONIC CIRCUIT BOARD

High efficiency rifled copper tubes/ enhanced aluminum fins provide maximum heat transfer. All coils immersion tested at 500 psi, then Nitrogen pressurized and factory sealed for maximum reliability. Liquid-line Schrader allows pre-installation pressure testing. Available with either check style flowrater or TXV metering device. Field installable TXVs are also available. Galvanized metal drain pan with bottom primary and secondary drain connections or alternate right side primary. All connections 3/4" FPT. Access door allows for coil cleaning.

**WARRANTY** Five-year limited parts warranty.

**OPTIONS** See options menu.



**WANT MORE INFORMATION ON ASPEN'S AEC SERIES CEILING MOUNT AIR HANDLERS?**

SCAN QR CODE TO VISIT THIS PRODUCT ON OUR WEBSITE



*For complete warranty details, please visit our Warranty Information tab when you visit Aspen's website.*

*To view this coil's product information online for the most up-to-date information scan the QR Code.*

In keeping with its commitment to continuous improvement. Aspen Manufacturing reserves the right to make changes without notice and incurring obligation. To stay up-to-date with this product and Aspen's trusted line of coils, air handlers, and more, go to our website. AEC-Spec-2025-03

HEATING/COOLING PERFORMANCE & ELECTRICAL DATA										
MODEL	ELECTRIC HEAT KIT MODEL	NOM. COOLING (BTU)	PERFORMANCE DATA				ELECTRICAL DATA			
			HEATING (KW)		HEATING CAPACITY (MBTUH)		MIN. CIRCUIT AMPACITY (MCA)		MAX. BREAKER OR FUSE SIZE	
			208V	240V	208V	240V	208V	240V	208V	240V
AEC 18	G(C,T)S00	18,000	0	0	0	0	3.5	3.5	15	15
	G(C,T)S03		2.3	3	7.8	10.2	17.0	19.1	20	20
	G(C,T)S05		3.8	5	13.0	17.1	25.1	28.5	30	30
	G(C,T)S08		6.0	8	20.8	27.3	39.6	45.2	45	50
	G(C,T)S10		7.5	10	24.9	32.8	46.8	53.5	50	60
AEC 24	G(C,T)00	24,000	0	0	0	0	3.5	3.5	15	15
	G(C,T)03		2.3	3	7.8	10.2	17.0	19.1	20	20
	G(C,T)05		3.8	5	13.0	17.1	25.1	28.5	30	30
	G(C,T)06		6.0	8	20.8	27.3	39.6	45.2	45	50
	G(C,T)08		7.5	10	24.9	32.8	46.8	53.5	50	60
AEC 30	G(C,T)S00	30,000	0	0	0	0	5.1	5.1	15	15
	G(C,T)S03		2.3	3	7.8	10.2	18.6	20.8	20	25
	G(C,T)S05		3.8	5	13.0	17.1	26.8	30.1	30	35
	G(C,T)S08		6.0	8	20.8	27.3	41.2	46.8	45	50
	G(C,T)S10		7.5	10	24.9	32.8	48.4	55.1	50	60
AEC 36/37	G(C,T)00	36,000	0	0	0	0	5.1	5.1	15	15
	G(C,T)03		2.3	3	7.8	10.2	18.6	20.8	20	25
	G(C,T)05		3.8	5	13.0	17.1	26.8	30.1	30	35
	G(C,T)06		6.0	8	20.8	27.3	41.2	46.8	45	50
	G(C,T)08		7.5	10	24.9	32.8	48.4	55.1	50	60

BLOWER DATA														
MODEL	SPEED TAP	MOTOR			CFM VS EXTERNAL STATIC									
		HP	AMPS	VOLT.	0.1	0.2	0.3	0.4	0.5	0.6	0.7	0.8	0.9	1.0
AEC 18/24	TAP 1	3/4	5.4	240V	710	650	590	530	470	460	410	340	-	-
	TAP 2				770	720	670	630	570	510	450	420	370	340
	TAP 3				900	850	810	800	705	660	610	560	510	480
	TAP 4				1130	1100	1060	1020	980	940	900	850	810	760
	TAP 5				1310	1280	1240	1200	1165	1130	1080	1050	1010	970
AEC 30/36/37	TAP 1	1	7.0	240V	1130	1100	1060	1020	965	900	860	810	750	690
	TAP 2				1340	1300	1265	1230	1200	1155	1115	1050	1020	975
	TAP 3				1490	1450	1420	1400	1365	1330	1300	1270	1235	1170
	TAP 4				1670	1640	1610	1585	1550	1520	1500	1460	1430	1400
	TAP 5				1850	1825	1800	1770	1750	1720	1690	1670	1640	1620

In keeping with its commitment to continuous improvement, Aspen Manufacturing reserves the right to make changes without notice and incurring obligation. To stay up-to-date with this product and Aspen's trusted line of coils, air handlers, and more, go to our website. AEC-Spec-2025-03



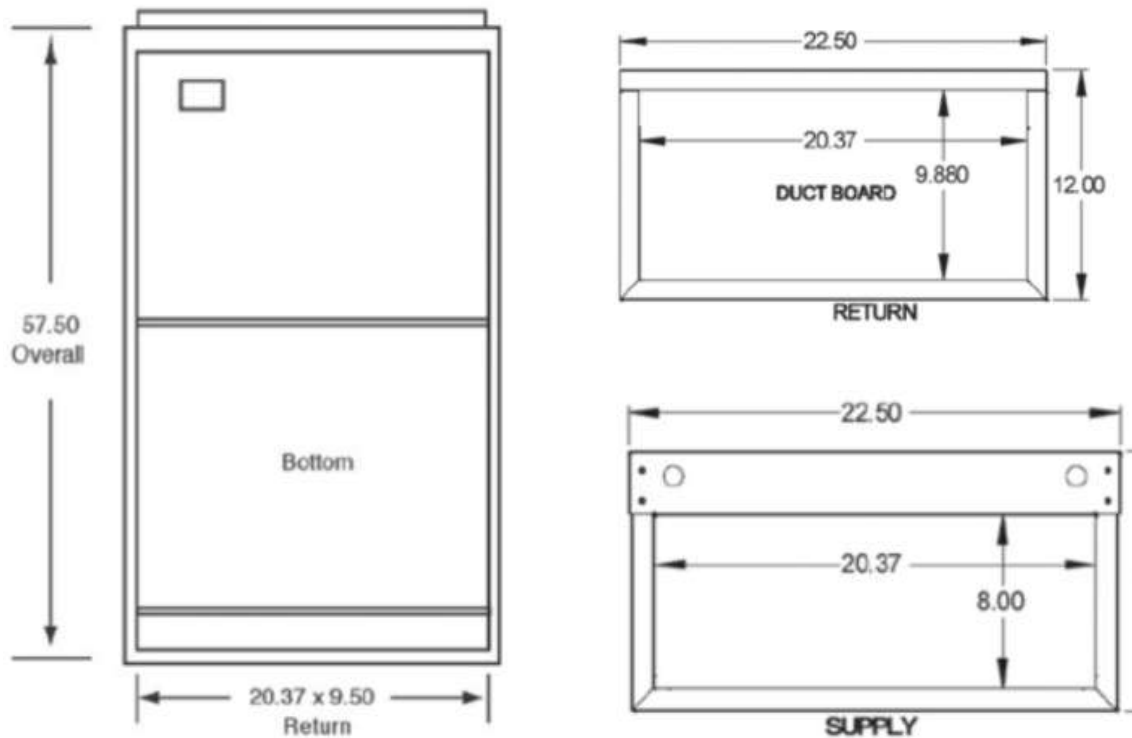


ELECTRIC HEAT KIT NOMENCLATURE			
G	C	S	03
CEILING MOUNT ELECTRIC HEAT	<b>INTERRUPTION</b> C = CIRCUIT BREAKER T = TERMINAL BLOCK	<b>CABINET SIZE &amp; NOM. TONNAGE</b> S = 18-36	<b>HEAT STRIP</b> 03 = 3 KW 08 = 8 KW 05 = 5 KW 10 = 10 KW

AIR HANDLER CHASSIS NOMENCLATURE			
AEC	18	F	-001
240V CONSTANT TORQUE ECM CEILING MOUNT	<b>NOMINAL TONNAGE</b> (MBTUH)	<b>A1 METERING DEVICE</b> 4 = R410A (TXV NON-BLEED A/C or H/P) F = R22 (PISTON) X = R22 (TXV NON-BLEED A/C or H/P) G = R410A (PISTON) B = R22 (TXV 20% BLEED A/C or H/P)	OPTION CODE
		<b>A2L METERING DEVICE</b> J = R454B (TXV NON-BLEED A/C or H/P) M = R32 (PISTON) K = R454B (TXV 20% BLEED A/C or H/P) N = R454B (PISTON) D = R32 (TXV NON-BLEED A/C or H/P)	

AEC DIMENSIONS (In.) - FIGURE 1								
MODEL	HEIGHT A	WIDTH B	DEPTH C	D	E	FILTER SIZE	SHIPPING WEIGHT	SKID QTY
AEC18*	57-1/2 [146]	22-1/2 [57]	12 [20]	20-3/8 [52]	8 [20]	20X20	91	6
AEC24*							91	
AEC30*							100	
AEC36*/37*							100	

**FIGURE 1**

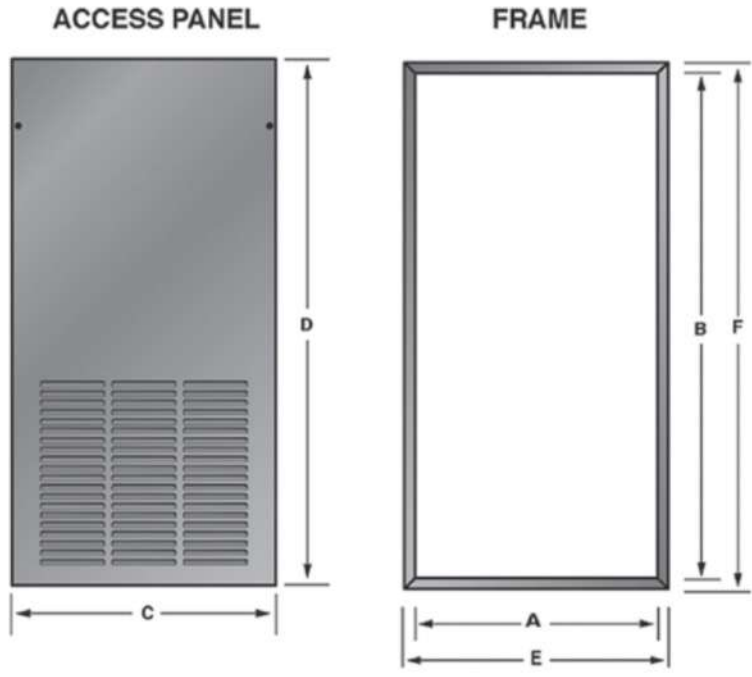


In keeping with its commitment to continuous improvement, Aspen Manufacturing reserves the right to make changes without notice and incurring obligation. To stay up-to-date with this product and Aspen's trusted line of coils, air handlers, and more, go to our website. AEC-Spec-2025-03



AEC DIMENSIONS (In.) - FIGURE 2								
Panel Model	FOR USE WITH	OPENING SIZE		PANEL DIMENSION		FRAME DIMENSIONS		# OF PANELS
		A	B	C	D	E	F	
CAD-4(S/L)	AEC	23-3/4	58	24-3/4	60	24-5/8	59-7/8	2

**FIGURE 2**



INSTALLATION CLEARANCES (In.)		
CABINET CLEARANCE AREA	OPERATION	SERVICE
TOP	0	0
FRONT		30"
SIDES		0
REAR		0

In keeping with its commitment to continuous improvement, Aspen Manufacturing reserves the right to make changes without notice and incurring obligation. To stay up-to-date with this product and Aspen's trusted line of coils, air handlers, and more, go to our website. AEC-Spec-2025-03

# AAW SERIES

## VERTICAL WALL MOUNT ELECTRIC HEAT AIR HANDLERS

### FEATURES, BENEFITS, DIMENSIONS, & SPECIFICATIONS



Unit shown with service panels removed. Representative drawing only. Some models may vary in appearance. Due to continuous product improvement, specifications are subject to change without notice.

#### APPLICATION VERSATILITY

Front or bottom return air position. Offset hanging brackets attach to unit and wall to allow hanging inside closet. Can be AHRI matched with most brands of air conditioners or heat pumps.

- ETL listed for use with R-22, R-410A, R-454B, and R-32 when a proper metering device is used.
- In accordance with UL 60335 Refrigerant Detection Systems are factory-installed on A2L refrigerant ready air handlers.

#### LOW LEAKAGE CABINET

Less than 2% air leakage from cabinet when tested in accordance with ASHRAE standard 193. Unit must be installed according to Aspen installation instructions. Sturdy, fully insulated galvanized steel cabinet; stick pins ensure 1/2" insulation remains in place. Unit ships with disposable filter.

#### MODULAR ELECTRIC HEAT KITS

Heat kits available with either circuit breakers or terminal blocks. Available in 3, 5, 8, and 10 KW. Models with electric heat include sequencers and temperature limit switches for safe, efficient operation. Modules are easily installed in the field using molex plugs molex plugs or can be ordered factory installed. Controls are accessible from the front for easy service. Electrical connections can be made from the top or left. Disconnect does not protrude through the wall panel. Fan time delay relay standard for increased efficiency.

#### BLOWER

Direct drive multi-speed blowers circulate air quietly and efficiently. Motor speeds can be easily selected via motor terminals. Swing mounted blowers can be easily removed for service.

#### ELECTRONIC CIRCUIT BOARD

Electronic circuit board provides 30 secs ON/OFF blower time delay extracting more heat/cool from the coil. Automotive-style pull fuse protection on the circuit board to provide low voltage and transformer protection.

#### DX COIL

All coils immersion tested at 500 psi then Nitrogen pressurized and factory sealed for maximum reliability. Liquid-line Schrader allows pre-installation pressure testing. Available with either orifice or TXV metering device. Field-installable bolt-on TXVs are also available. Rugged GLP drain pan holds minimal condensate while eliminating the possibility of corrosion. Drain pan is UV safe. Galvanized metal drain pan with bottom primary and secondary drain connections or alternate right side primary. All connections 3/4" FPT. Access door allows for coil cleaning.

**WARRANTY** Ten-year limited parts warranty.

**OPTIONS** See options menu.



### WANT MORE INFORMATION ON ASPEN'S AAW SERIES AIR HANDLERS?

SCAN QR CODE TO VISIT THIS PRODUCT ON OUR WEBSITE



*For complete warranty details, please visit our Warranty Information tab when you visit Aspen's website. To view this coil's product information online for the most up-to-date information scan the QR Code.*

In keeping with its commitment to continuous improvement, Aspen Manufacturing reserves the right to make changes without notice and incurring obligation. To stay up-to-date with this product and Aspen's trusted line of coils, air handlers, and more, go to our website. AAW-Spec-2025-03



BLOWER DATA										
MODEL	PSC MOTOR				CFM VS EXTERNAL STATIC (Wet Coil) †					
	SPEED	HP	AMPS	VOLT.	0.10	0.20	0.30	0.40	0.50	
AAW 18/23/24	LOW	1/5	1.40	240V	834	795	746	687	620	
	HIGH		1.40		930	888	823	749	680	
AAW 19/25	LOW		1.35		740	710	685	650	615	
	HIGH		1.35		930	880	830	770	710	
AAW 20/26	LOW		1.35		727	696	674	640	604	
	HIGH		1.35		909	866	814	757	696	
AAW 30/36	LOW		1/3		2.6	1123	1094	1062	1034	1000
	HIGH				2.6	1396	1358	1313	1261	1200
AAW 31/37	LOW	2.6		1154	1100	1042	982	901		
	HIGH	2.6		1256	1193	1113	1057	982		

\*Wet coil with filter, † - For 208 V multiply by 0.90

AIR HANDLER CHASSIS NOMENCLATURE			
AAW	18	4	-001
240V PSC MOTOR VERTICAL WALL MOUNT AIR HANDLER	NOMINAL TONNAGE (MBTUH)	<b>A1 METERING DEVICE</b> 4 = R410A (TXV NON-BLEED A/C or H/P) X = R22 (TXV NON-BLEED A/C or H/P) B = R22 (TXV 20% BLEED A/C or H/P) F = R22 (PISTON) G = R410A (PISTON)	OPTION CODE
		<b>A2L METERING DEVICE</b> J = R454B (TXV NON-BLEED A/C or H/P) K = R454B (TXV 20% BLEED A/C or H/P) D = R32 (TXV NON-BLEED A/C or H/P) M = R32 (PISTON) N = R454B (PISTON)	

ELECTRIC HEAT NOMENCLATURE			
E	C	S/L	03
WALL MOUNT ELECTRIC HEAT	<b>INTERRUPTION</b> C = CIRCUIT BREAKER T = TERMINAL BLOCK	<b>CABINET SIZE &amp; NOM. TONNAGE</b> S = 18-37	<b>HEAT STRIP</b> 03 = 3 KW    08 = 8 KW 05 = 5 KW    10 = 10 KW

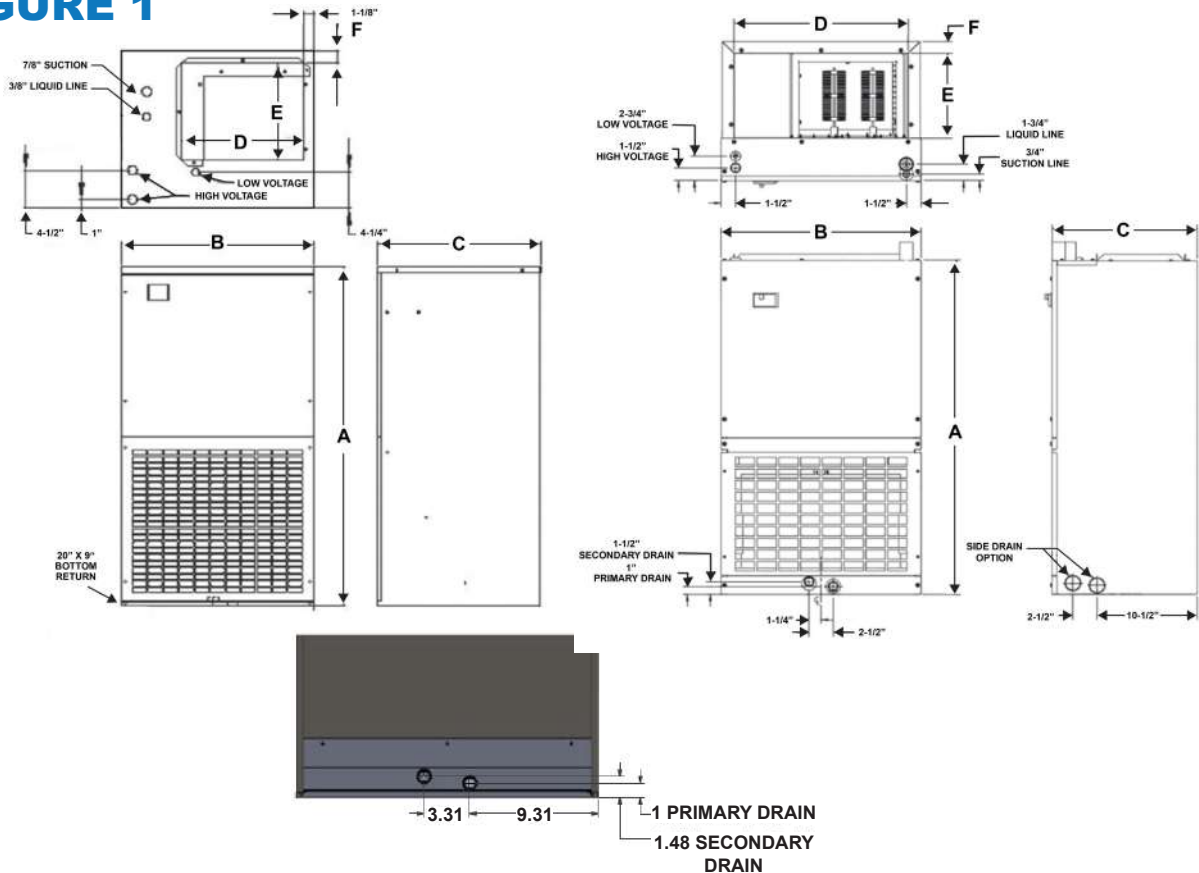
In keeping with its commitment to continuous improvement, Aspen Manufacturing reserves the right to make changes without notice and incurring obligation. To stay up-to-date with this product and Aspen's trusted line of coils, air handlers, and more, go to our website. AAW-Spec-2025-03



## AAW DIMENSIONS (In.) - FIGURE 1

Model	A	B	C	D	E	F	FILTER SIZE	PISTON SIZE	SHIP. WEIGHT	SKID QTY
AAW18*	37-1/2 [953]	22 [559]	18-3/4 [476]	14 [356]	10 [254]	3-1/4 [83]	20X20	0.049	90	4
AAW19*	36 [915]	20-1/2 [521]	15 [381]	18 [457]	9-1/4 [235]	1-1/4 [32]	14X18	0.049	80	
AAW20*	36 [915]	20-1/2 [521]	15 [381]	18 [457]	9-1/4 [235]	1-1/4 [32]	14X18	0.049	80	
AAW23*	37-1/2 [953]	22 [559]	18-3/4 [476]	14 [356]	10 [254]	3-1/4 [83]	20X20	0.049	90	
AAW24*	37-1/2 [953]	22 [559]	18-3/4 [476]	14 [356]	10 [254]	3-1/4 [83]	20X20	0.049	90	
AAW25*	36 [915]	20-1/2 [521]	15 [381]	18 [457]	9-1/4 [235]	1-1/4 [32]	14X18	0.055	80	
AAW26	36 [915]	20-1/2 [521]	15 [381]	18 [457]	9-1/4 [235]	1-1/4 [32]	14X18	0.055	80	
AAW30*	40-1/2 [1029]	22 [559]	18-3/4 [476]	14 [356]	11-1/2 [292]	1-3/8 [35]	20X20	0.059	102	
AAW31*	36 [915]	24 [610]	21 [533]	20-1/2 [521]	12 [305]	1-1/4 [32]	20X20	0.059	90	
AAW36*	40-1/2 [1029]	22 [559]	18-3/4 [476]	14 [356]	11-1/2 [292]	1-3/8 [35]	20X20	0.068	102	
AAW37*	36 [915]	24 [610]	21 [533]	20-1/2 [521]	12 [305]	1-1/4 [32]	20X20	0.068	90	

### FIGURE 1

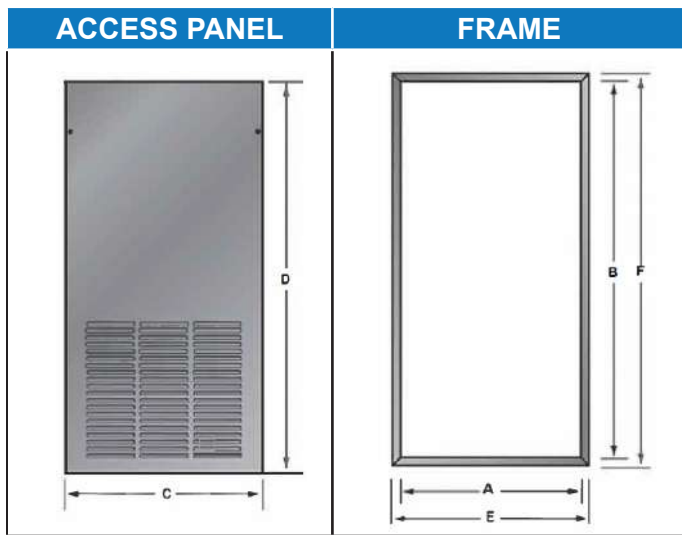


In keeping with its commitment to continuous improvement, Aspen Manufacturing reserves the right to make changes without notice and incurring obligation. To stay up-to-date with this product and Aspen's trusted line of coils, air handlers, and more, go to our website. AAW-Spec-2025-03





**FIGURE 2**



CABINET INSTALLATION CLEARANCES (In.)		
CLEARANCE AREA	OPERATION	SERVICE
TOP	0	0
FRONT		30"
SIDES		0
REAR		

**DIMENSIONS & SPECIFICATIONS (In.) - FIGURE 2**

PANEL MODEL	FOR USE WITH	FINISH	OPENING SIZE		PANEL DIMENSION		FRAME DIMENSION		# OF PANELS
			A	B	C	D	E	F	
WAD-7(S/L)	AAW 18/23/24	Embossed	22-5/8	39-7/8	24-1/2	41-1/2	24-1/8	41-3/8	1
WAD-8(S/L)	AAW 30/36		22-5/8	42-7/8	24-1/2	44-1/2	24-1/8	44-3/8	
WAD-18(S/L)	AAW 18/23/24	Smooth	22-5/8	39-7/8	24-1/2	41-1/2	24-1/8	41-3/8	
WAD-19(S/L)	AAW 30/36		22-5/8	42-7/8	24-1/2	44-1/2	24-1/8	44-3/8	
WAD-20(S/L)	AAW 19/20/25/26	Embossed	20-1/8	38-3/8	22-3/4	40	22-5/8	39-7/8	
WAD-21(S/L)	AAW 31/37		24-5/8	38-3/8	26-1/2	40	26-1/8	39-7/8	
WAD-22(S/L)	AAW 19/20/25/26	Smooth	21-1/8	38-3/8	22-3/4	40	22-5/8	39-7/8	
WAD-23(S/L)	AAW 31/37		24-5/8	38-3/8	26-1/2	40	26-1/8	39-7/8	

In keeping with its commitment to continuous improvement, Aspen Manufacturing reserves the right to make changes without notice and incurring obligation. To stay up-to-date with this product and Aspen's trusted line of coils, air handlers, and more, go to our website. AAW-Spec-2025-03



AAW HEATING/COOLING PERFORMANCE & ELECTRICAL DATA										
MODEL	HEAT KIT	MIN. MOTOR SPEED TAP REQUIRED F/ HEATER KITS	PERFORMANCE DATA				ELECTRICAL DATA			
			HEATING (KW)		HEATING CAPACITY (MBTUH)		MIN. CIRCUIT AMPACITY (MCA)		MAX. BREAKER OR FUSE SIZE	
			208V	240V	208V	240V	208V	240V	208V	240V
AAW 18	F[C,T]S00	18,000	0.0	0.0	0.0	0.0	1.8	1.8	15.0	15.0
	F[C,T]S03		2.3	3.0	7.8	10.2	15.3	17.4	20.0	20.0
	F[C,T]S05		3.7	4.8	12.6	16.4	23.4	26.8	25.0	30.0
	F[C,T]S06		4.6	6.0	13.5	17.9	28.8	33.0	30.0	35.0
	F[C,T]S08		6.0	8.0	20.5	27.3	37.8	43.4	40.0	45.0
	F[C,T]S10		7.2	9.6	24.5	32.8	45.0	51.8	45.0	60.0
AAW 19/20	F[C,T]S00		0.0	0.0	0.0	0.0	1.7	1.7	15.0	15.0
	F[C,T]S03		2.3	3.0	7.8	10.2	15.2	17.3	20.0	20.0
	F[C,T]S05		3.7	4.8	12.6	16.4	23.3	26.7	25.0	30.0
	F[C,T]S06		4.6	6.0	13.5	17.9	28.8	33.0	30.0	35.0
	F[C,T]S08		6.0	8.0	20.5	27.3	37.7	43.4	40.0	45.0
	F[C,T]S10		7.2	9.6	24.5	32.8	45.0	51.7	45.0	60.0
AAW 23/24	F[C,T]S00	0.0	0.0	0.0	0.0	1.8	1.8	15.0	15.0	
	F[C,T]S03	2.3	3.0	7.8	10.2	15.3	17.4	20.0	20.0	
	F[C,T]S05	3.7	4.8	12.6	16.4	23.4	26.8	25.0	30.0	
	F[C,T]S06	4.6	6.0	13.5	17.9	28.8	33.0	30.0	35.0	
	F[C,T]S08	6.0	8.0	20.5	27.3	37.8	43.4	40.0	45.0	
	F[C,T]S10	7.2	9.6	24.5	32.8	45.0	51.8	45.0	60.0	
AAW 25/26	F[C,T]S00	0.0	0.0	0.0	0.0	1.7	1.7	15.0	15.0	
	F[C,T]S03	2.3	3.0	7.8	10.2	15.2	17.3	20.0	20.0	
	F[C,T]S05	3.7	4.8	12.6	16.4	23.3	26.7	25.0	30.0	
	F[C,T]S06	4.6	6.0	13.5	17.9	28.8	33.0	30.0	35.0	
	F[C,T]S08	6.0	8.0	20.5	27.3	37.7	43.4	40.0	45.0	
	F[C,T]S10	7.2	9.6	24.5	32.8	45.0	51.7	45.0	60.0	
AAW 30/31	F[C,T]S00	0.0	0.0	0.0	0.0	3.3	3.3	15.0	15.0	
	F[C,T]S03	2.3	3.0	7.8	10.2	16.8	18.9	20.0	20.0	
	F[C,T]S05	3.7	4.8	12.6	16.4	24.9	28.3	25.0	30.0	
	F[C,T]S06	4.6	6.0	13.5	17.9	30.3	34.5	35.0	35.0	
	F[C,T]S08	6.0	8.0	20.5	27.3	39.3	44.9	40.0	45.0	
	F[C,T]S10	7.2	9.6	24.5	32.8	46.5	53.3	50.0	60.0	
AAW 36/37	F[C,T]S00	0.0	0.0	0.0	0.0	3.3	3.3	15.0	15.0	
	F[C,T]S03	2.3	3.0	7.8	10.2	16.8	18.9	20.0	20.0	
	F[C,T]S05	3.7	4.8	12.6	16.4	24.9	28.3	25.0	30.0	
	F[C,T]S06	4.6	6.0	13.5	17.9	30.3	34.5	35.0	35.0	
	F[C,T]S08	6.0	8.0	20.5	27.3	39.3	44.9	40.0	45.0	
	F[C,T]S10	7.2	9.6	24.5	32.8	46.5	53.3	50.0	60.0	

In keeping with its commitment to continuous improvement, Aspen Manufacturing reserves the right to make changes without notice and incurring obligation. To stay up-to-date with this product and Aspen's trusted line of coils, air handlers, and more, go to our website. AAW-Spec-2025-03

### FEATURES, BENEFITS, DIMENSIONS, & SPECIFICATIONS



Unit shown with service panels removed. Representative drawing only. Some models may vary in appearance. Due to continuous product improvement, specifications are subject to change without notice.

#### APPLICATION VERSATILITY

Front or bottom return air position. Offset hanging brackets attach to unit and wall to allow hanging inside closet. Can be AHRI matched with most brands of air conditioners or heat pumps.

- ETL listed for use with R-22, R-410A, R-454B, and R-32 when a proper metering device is used.
- In accordance to UL 60335 Refrigerant Detection Systems are factory-installed on A2L refrigerant ready air handlers.

#### MOTOR

Pre-programmed, 5-speed, ECM motors that ensure higher efficiency and increased energy savings by delivering constant torque during operation.

#### LOW LEAKAGE CABINET

Less than 2% air leakage from cabinet when tested in accordance with ASHRAE standard 193. Unit must be installed according to Aspen installation instructions. Sturdy, fully insulated galvanized steel cabinet; stick pins ensure 1/2" insulation remains in place. Unit ships with disposable filter.

#### MODULAR ELECTRIC HEAT KITS

Heat kits available with either circuit breakers or terminal blocks. Available in 3,5,6,8, and 10 KW. Models with electric heat include

sequencers and temperature limit switches for safe, efficient operation. Modules are easily installed in the field using molex plugs or can be ordered factory installed. Controls are accessible from the front for easy service. Electrical connections can be made from the top or left. Disconnect does not protrude through the wall panel. Fan time delay relay standard for increased efficiency.

#### BLOWER

Direct drive multi-speed blowers circulate air quietly and efficiently. Motor speeds can be easily selected via motor terminals. Swing mounted blowers can be easily removed for service.

#### ELECTRONIC CIRCUIT BOARD

Electronic circuit board provides 30 secs ON/OFF blower time delay extracting more heat/cool from the coil. Automotive-style pull fuse protection on the circuit board to provide low voltage and transformer protection.

#### DX COIL

High-efficiency rifled copper tubes/enhanced aluminum fins provide maximum heat transfer. All coils immersion tested at 500 psi then Nitrogen pressurized and factory sealed for maximum reliability. Liquid-line Schrader allows pre-installation pressure testing. Available with either check style flowrater or TXV metering device. Field-installable TXVs are also available. Galvanized metal drain pan with bottom primary and secondary drain connections or alternate right side primary. All connections 3/4" FPT. Access door allows for coil cleaning.

**WARRANTY** Five-year limited parts warranty.

**OPTIONS** See options menu.



**WANT MORE INFORMATION ON ASPEN'S  
AEW SERIES AIR HANDLERS?**

SCAN QR CODE TO VISIT THIS PRODUCT ON OUR WEBSITE



*For complete warranty details, please visit our Warranty Information tab when you visit Aspen's website.  
To view this coil's product information online for the most up-to-date information scan the QR Code.*

In keeping with its commitment to continuous improvement. Aspen Manufacturing reserves the right to make changes without notice and incurring obligation. To stay up-to-date with this product and Aspen's trusted line of coils, air handlers, and more, go to our website. AEW-Spec-2025-03



HEATING/COOLING PERFORMANCE & ELECTRICAL DATA											
MODEL	ELECTRIC HEAT KIT	PERFORMANCE DATA					ELECTRICAL DATA				
		NOM. COOLING (BTU)	HEATING (KW)		HEATING CAPACITY (MBTUH)		MIN. CIRCUIT AMPACITY (MCA)		MAX BREAKER OR FUSE SIZE		
			208V	240V	208V	240V	208V	240V	208V	240V	
AEW 18	F(C,T)S00	18,000	0.0	0.0	0.0	0.0	3.5	3.5	15	15	
	F(C,T)S03		2.3	3.0	7.8	10.2	17.0	19.1	20	20	
	F(C,T)S05		3.7	4.8	12.6	16.4	25.1	28.5	30	30	
	F(C,T)S06		4.6	6.0	13.5	17.9	30.5	34.8	35	35	
	F(C,T)S08		6.0	8.0	20.5	27.3	39.6	45.2	40	50	
	F(C,T)S10		7.2	9.6	24.5	32.8	46.8	53.5	50	50	
AEW 19/20	F(C,T)S00			0.0	0.0	0.0	0.0	3.0	3.0	15	15
	F(C,T)S03			2.3	3.0	7.8	10.2	16.5	18.6	20	20
	F(C,T)S05			3.7	4.8	12.6	16.4	24.6	28.0	30	30
	F(C,T)S06			4.6	6.0	13.5	17.9	30.0	34.3	35	35
	F(C,T)S08			6.0	8.0	20.5	27.3	39.1	44.7	40	50
	F(C,T)S10			7.2	9.6	24.5	32.8	46.3	53.0	50	60
AEW 23/24	F(C,T)S00	24,000	0.0	0.0	0.0	0.0	3.5	3.5	15	15	
	F(C,T)S03		2.3	3.0	7.8	10.2	17.0	19.1	20	20	
	F(C,T)S05		3.7	4.8	12.6	16.4	25.1	28.5	30	30	
	F(C,T)S06		4.6	6.0	13.5	17.9	30.5	34.8	35	35	
	F(C,T)S08		6.0	8.0	20.5	27.3	39.6	45.2	40	50	
	F(C,T)S10		7.2	9.6	24.5	32.8	46.8	53.5	50	60	
AEW 25/26	F(C,T)S00			0.0	0.0	0.0	0.0	3.0	3.0	15	15
	F(C,T)S03			2.3	3.0	7.8	10.2	16.5	18.6	20	20
	F(C,T)S05			3.7	4.8	12.6	16.4	24.6	28.0	30	30
	F(C,T)S06			4.6	6.0	13.5	17.9	30.0	34.3	35	35
	F(C,T)S08			6.0	8.0	20.5	27.3	39.1	44.7	40	50
	F(C,T)S10			7.2	9.6	24.5	32.8	46.3	53.0	50	60
AEW 30	F(C,T)M00	30,000	0.0	0.0	0.0	0.0	5.1	5.1	15	15	
	F(C,T)M03		2.3	3.0	7.8	10.2	18.6	20.8	20	25	
	F(C,T)M05		3.7	4.8	12.6	16.4	26.8	30.1	30	35	
	F(C,T)M06		4.6	6.0	13.5	17.9	32.2	36.4	35	40	
	F(C,T)M08		6.0	8.0	20.5	27.3	41.2	46.8	45	50	
	F(C,T)M10		7.2	9.6	24.5	32.8	48.4	55.1	50	60	
AEW 31	F(C,T)M00			0.0	0.0	0.0	0.0	4.5	4.5	15	15
	F(C,T)M03			2.3	3.0	7.8	10.2	18.0	20.1	20	25
	F(C,T)M05			3.7	4.8	12.6	16.4	26.1	29.5	30	35
	F(C,T)M06			4.6	6.0	13.5	17.9	31.6	35.8	35	40
	F(C,T)M08			6.0	8.0	20.5	27.3	40.6	46.2	45	50
	F(C,T)M10			7.2	9.6	24.5	32.8	47.8	54.5	50	60

In keeping with its commitment to continuous improvement, Aspen Manufacturing reserves the right to make changes without notice and incurring obligation. To stay up-to-date with this product and Aspen's trusted line of coils, air handlers, and more, go to our website. AEW-Spec-2025-03

HEATING/COOLING PERFORMANCE & ELECTRICAL DATA - Continued										
MODEL	ELECTRIC HEAT KIT	PERFORMANCE DATA					ELECTRICAL DATA			
		NOM. COOLING (BTU)	HEATING (KW)		HEATING CAPACITY (MBTUH)		MIN. CIRCUIT AMPACITY (MCA)		MAX BREAKER OR FUSE SIZE	
			208V	240V	208V	240V	208V	240V	208V	240V
AEW 36	F(C,T)M00	36,000	0.0	0.0	0.0	0.0	5.1	5.1	15	15
	F(C,T)M03		2.3	3.0	7.8	10.2	18.6	20.8	20	25
	F(C,T)M05		3.7	4.8	12.6	16.4	26.8	30.1	30	30
	F(C,T)M06		4.6	6.0	13.5	17.9	32.2	36.4	35	40
	F(C,T)M08		6.0	8.0	20.5	27.3	41.2	46.8	45	50
	F(C,T)M10		7.2	9.6	24.5	32.8	48.4	55.1	50	60
AEW 37	F(C,T)M00		0.0	0.0	0.0	0.0	4.5	4.5	15	15
	F(C,T)M03		2.3	3.0	7.8	10.2	18.0	20.1	20	25
	F(C,T)M05		3.7	4.8	12.6	16.4	26.1	29.5	30	35
	F(C,T)M06		4.6	6.0	13.5	17.9	31.6	35.8	35	40
	F(C,T)M08		6.0	8.0	20.5	27.3	40.6	46.2	45	50
	F(C,T)M10		7.2	9.6	24.5	32.8	47.8	54.5	50	60

BLOWER DATA									
MODEL	SPEED TAP	MOTOR			CFM VS EXTERNAL STATIC* (WET COIL)				
		HP	AMPS	VOLT.	0.10	0.20	0.30	0.40	0.50
AEW 18/23/24	TAP 1	1/3	2.8	240V	909	864	840	800	782
	TAP 2				723	690	652	631	600
	TAP 3				600	565	539	502	480
	TAP 4				723	690	652	631	600
	TAP 5				909	864	840	800	782
AEW 19/25	TAP 1				670	645	615	590	570
	TAP 2				800	780	750	730	695
	TAP 3				875	850	820	790	760
	TAP 4				980	955	930	900	875
	TAP 5				1065	1035	1015	995	970
AEW 20/26	TAP 1				655	630	605	580	560
	TAP 2				785	765	735	715	685
	TAP 3				860	835	805	775	745
	TAP 4				960	935	910	885	860
	TAP 5				1045	1015	995	975	950
AEW 30/36	TAP 1	1365	1332	1303	1271	1240			
	TAP 2	745	698	668	630	600			
	TAP 3	898	873	853	827	800			
	TAP 4	1174	1132	1106	1078	1047			
	TAP 5	1365	1332	1303	1271	1240			
AEW 31/37	TAP 1	745	715	675	640	615			
	TAP 2	940	910	875	840	805			
	TAP 3	1100	1070	1025	995	965			
	TAP 4	1220	1180	1155	1115	1085			
	TAP 5	1385	1350	1330	1290	1270			

\* Wet coil with filter †For 208 operation multiply by 0.90



## AIR HANDLER CHASSIS NOMENCLATURE

AEW	18	F	-001
240V X13 MOTOR VERTICAL WALL-MOUNT DOWNFLOW ELECTRIC FURNACE	<b>NOMINAL TONNAGE</b> (MBTUH)	<b>A1 METERING DEVICE</b> 4 = R410A (TXV NON-BLEED A/C or H/P) G = R410A (PISTON) 6 = R410A (TXV 20% BLEED A/C or H/P) F = R22 (PISTON) X = R22 (TXV NON-BLEED A/C or H/P)	OPTION CODE
		<b>A1 METERING DEVICE</b> D = R32 (TXV NON-BLEED A/C or H/P) M = R32 (PISTON) J = R454B (TXV NON-BLEED A/C or H/P) N = R454B (PISTON) K = R454B (TXV 20% BLEED A/C or H/P)	

## ELECTRIC HEAT KIT NOMENCLATURE

F	C	L	03
WALL MOUNT ELECTRIC HEAT	<b>INTERRUPTION</b> C = CIRCUIT BREAKER T = TERMINAL BLOCK	<b>CABINET SIZE &amp; NOM. TONNAGE</b> S = 18-26 M = 30-37	<b>HEAT STRIP</b> 03 = 3 KW 05 = 5 KW 08 = 8 KW 10 = 10 KW

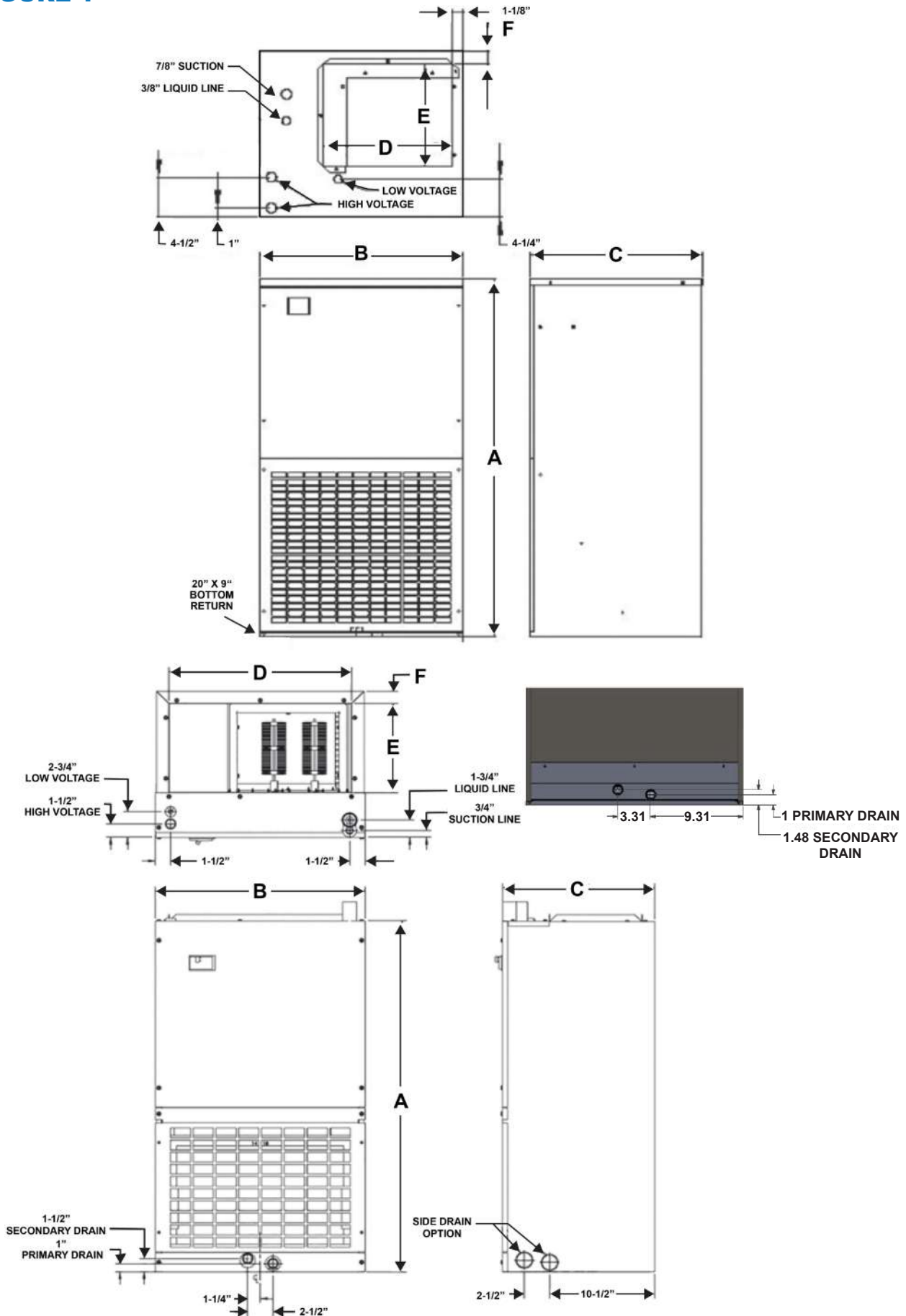
## DIMENSIONS AND SPECIFICATIONS (In.) - Figure 1

MODEL	A	B	C	D	E	F	FILTER SIZE	PISTON SIZE	WEIGHT (LBS)	SKID QTY
AEW18*	37-1/2 [953]	22 [559]	18-3/4 [476]	14 [356]	10 [254]	3-1/4 [83]	20X20	0.049	90	4
AEW19*	36 [915]	20-1/2 [521]	15 [381]	18 [457]	9-1/4 [235]	1-1/4 [32]	14X18	0.049	80	
AEW20*	36 [915]	20-1/2 [521]	15 [381]	18 [457]	9-1/4 [235]	1-1/4 [32]	14X18	0.049	80	
AEW23*	37-1/2 [953]	22 [559]	18-3/4 [476]	14 [356]	10 [254]	3-1/4 [83]	20X20	0.049	90	
AEW24*	37-1/2 [953]	22 [559]	18-3/4 [476]	14 [356]	10 [254]	3-1/4 [83]	20X20	0.049	90	
AEW25*	36 [915]	20-1/2 [521]	15 [381]	18 [457]	9-1/4 [235]	1-1/4 [32]	14X18	0.055	80	
AEW26*	36 [915]	20-1/2 [521]	15 [381]	18 [457]	9-1/4 [235]	1-1/4 [32]	14X18	0.055	80	
AEW30*	40-1/2 [1029]	22 [559]	18-3/4 [476]	14 [356]	11-1/2 [292]	1-3/8 [35]	20X20	0.059	102	
AEW31*	36 [915]	24 [610]	21 [533]	21-1/2 [546]	12 [305]	1-1/4 [32]	20X20	0.059	90	
AEW36*	40-1/2 [1029]	22 [559]	18-3/4 [476]	14 [356]	11-1/2 [292]	1-3/8 [35]	20X20	0.068	102	
AEW37*	36 [915]	24 [610]	21 [533]	21-1/2 [546]	12 [305]	1-1/4 [32]	20X20	0.068	90	

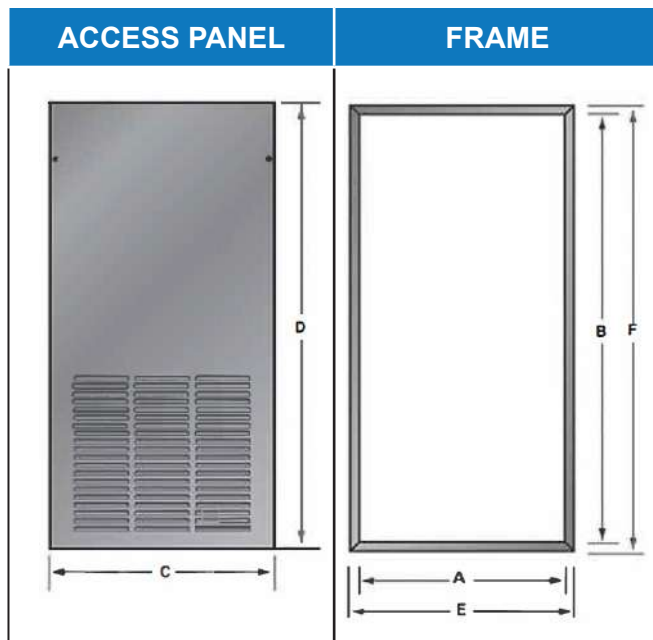
In keeping with its commitment to continuous improvement, Aspen Manufacturing reserves the right to make changes without notice and incurring obligation. To stay up-to-date with this product and Aspen's trusted line of coils, air handlers, and more, go to our website. AEW-Spec-2025-03



**FIGURE 1**



In keeping with its commitment to continuous improvement, Aspen Manufacturing reserves the right to make changes without notice and incurring obligation. To stay up-to-date with this product and Aspen's trusted line of coils, air handlers, and more, go to our website. AEW-Spec-2025-03



INSTALLATION CLEARANCES (In.)		
CABINET CLEARANCE AREA	OPERATION	SERVICE
TOP	0	0
FRONT		30"
SIDES		
REAR		0

DIMENSIONS & SPECIFICATIONS (In.)									
PANEL MODEL	FOR USE WITH	FINISH	OPENING SIZE		PANEL SIZE		FRAME SIZE		# OF PANELS
			A	B	C	D	E	F	
WAD-7(S/L)	AEW 18/23/24	Embossed	22-5/8	39-7/8	24-1/4	41-1/2	24-1/8	41-3/8	1
WAD-8(S/L)	AEW 30/36		22-5/8	42-7/8	24-1/4	41-1/2	24-1/8	44-3/8	
WAD-18(S/L)	AEW 18/23/24	Smooth	22-5/8	39-7/8	24-1/4	41-1/2	24-1/8	41-3/8	
WAD-19(S/L)	AEW 30/36		22-5/8	42-7/8	24-1/4	41-1/2	24-1/8	44-3/8	
WAD-20(S/L)	AEW 19/20/25/26	Embossed	21-1/8	38-3/8	22-3/4	40	22-5/8	39-7/8	
WAD-21(S/L)	AEW 31/37		24-5/8	38-3/8	26-1/4	40	26-1/8	39-7/8	
WAD-22(S/L)	AEW 19/20/25/26	Smooth	21-1/8	38-3/8	22-3/4	40	22-5/8	39-7/8	
WAD-23(S/L)	AEW 31/37		24-5/8	38-3/8	26-1/4	40	26-1/8	39-7/8	

In keeping with its commitment to continuous improvement, Aspen Manufacturing reserves the right to make changes without notice and incurring obligation. To stay up-to-date with this product and Aspen's trusted line of coils, air handlers, and more, go to our website. AEW-Spec-2025-03

# AEM SERIES

## MULTI-POSITION ELECTRIC HEAT AIR HANDLERS

### FEATURES, BENEFITS, DIMENSIONS, & SPECIFICATIONS



Unit shown with service panels removed. Representative drawing only. Some models may vary in appearance. Due to continuous product improvement, specifications are subject to change without notice.

#### APPLICATION VERSATILITY

Upflow or horizontal right as shipped (field-convertible for down-flow or horizontal left applications). Can be AHRI matched with most brands of air conditioners or heat pumps.

- ETL listed for use with R-22, R-410A, R-454B, and R-32 when a proper metering device is used.
- In accordance to UL 60335 Refrigerant Detection Systems are factory-installed on A2L refrigerant ready air handlers.

#### MOTOR

Constant torque ECM speeds and torques are controlled by software embedded in the motor to maintain constant torque. Motors are pre-programmed at the factory.

#### LOW LEAKAGE CABINET

Less than 2% air leakage from cabinet when tested in accordance with ASHRAE standard 193. Unit must be installed according to Aspen installation instructions. Sturdy, fully insulated galvanized steel cabinet; stick pins ensure 1/2" insulation remains in place. Unit ships with disposable filter.

#### BLOWER

Direct drive blowers circulate air quietly and efficiently. Motor speeds and torques programmed in the motor. Blowers mounted on rails so they can be easily removed for service.

#### ELECTRONIC CONTROL BOARD

Electronic circuit board provides 30 secs ON/OFF blower time delay extracting more heat/cool from the coil. Automotive-style pull fuse protection on the circuit board to provide low voltage and transformer protection.

#### MODULAR ELECTRIC HEAT KITS

Heat kits available with either circuit breakers or terminal blocks. Available from 3 to 25 KW. Models with electric heat include sequencers and temperature limit switches for safe, efficient operation. Modules are easily installed in the field using molex plugs or can be ordered factory-installed. Controls are accessible from the front for easy service. Electrical connections can be made from the top or left. Disconnect does not protrude through the wall panel. Fan time delay relay standard for increased efficiency.

#### DX COIL

High efficiency rifled copper tubes/enhanced aluminum fins provide maximum heat transfer. All coils immersion tested at 500 psi then nitrogen pressurized and factory sealed for maximum reliability. Liquid-line Schrader allows pre-installation pressure testing. Available with either orifice or TXV metering device. Field-installable bolt-on TXVs are also available. Rugged, UV safe, GLP drain pan holds minimal condensate while eliminating the possibility of corrosion. All drain connections 3/4" FPT. Access door allows for coil cleaning.

**WARRANTY** Ten-year limited parts warranty.

**OPTIONS** See options menu.



**WANT MORE INFORMATION ON ASPEN'S  
AEM SERIES AIR HANDLERS?**

**SCAN QR CODE TO VISIT THIS PRODUCT ON OUR WEBSITE**



*For complete warranty details, please visit our Warranty Information tab when you visit Aspen's website.  
To view this coil's product information online for the most up-to-date information scan the QR Code.*

In keeping with its commitment to continuous improvement. Aspen Manufacturing reserves the right to make changes without notice and incurring obligation. To stay up-to-date with this product and Aspen's trusted line of coils, air handlers, and more, go to our website. AEM-Spec-2025-03





HEATING/COOLING PERFORMANCE & ELECTRICAL DATA											
MODEL	ELECTRIC HEAT KIT MODEL	PERFORMANCE DATA						ELECTRICAL DATA			
		HEATING (KW)		HEAT KIT ONLY AMPS		HEATING CAPACITY (MBTUH)		MIN. CIRCUIT AMPACITY (MCA)		MAX. BREAKER OR FUSE SIZE	
		208V	240V	208V	240V	208V	240V	208V	240V	208V	240V
AEM 18/19	E(C,T)S00	0.0	0.0	0.0	0.0	0.0	0.0	3.5	3.5	15	15
	E(C,T)S03	2.3	3.0	11.1	12.5	7.8	10.2	17.0	19.1	20	20
	E(C,T)S05	3.8	5.0	18.3	20.8	13.0	17.1	25.1	28.5	30	30
	E(C,T)S08	6.1	8.0	29.3	33.3	20.8	27.3	39.6	45.2	40	50
	E(C,T)S10	7.6	10.0	36.5	41.7	25.9	34.1	46.8	53.5	50	60
AEM 24/25	E(C,T)S00	0.0	0.0	0.0	0.0	0.0	0.0	3.5	3.5	15	15
	E(C,T)S03	2.3	3.0	11.1	12.5	7.8	10.2	17.0	19.1	20	20
	E(C,T)S05	3.8	5.0	18.3	20.8	13.0	17.1	25.1	28.5	30	30
	E(C,T)S08	6.1	8.0	29.3	33.3	20.8	27.3	39.6	45.2	40	50
	E(C,T)S10	7.6	10.0	36.5	41.7	25.9	34.1	46.8	53.5	50	60
AEM 30/31	E(C,T)M00	0.0	0.0	0.0	0.0	0.0	0.0	5.1	5.1	15	15
	E(C,T)M03	2.3	3.0	11.1	12.5	7.8	10.2	18.6	20.8	20	25
	E(C,T)M05	3.8	5.0	18.3	20.8	13.0	17.1	26.8	30.1	30	35
	E(C,T)M08	6.1	8.0	29.3	33.3	20.8	27.3	41.3	46.8	45	50
	E(C,T)M10	7.6	10.0	36.5	41.7	25.9	34.1	48.4	55.1	50	60
	E(C,T)M15	11.3	15.0	54.3	62.5	38.6	51.2	48.4/ 21.6	55.1/ 25	50/25	60/25
AEM 36/37	E(C,T)M00	0.0	0.0	0.0	0.0	0.0	0.0	5.1	5.1	15	15
	E(C,T)M03	2.3	3.0	11.1	12.5	7.8	10.2	18.6	20.8	20	25
	E(C,T)M05	3.8	5.0	18.3	20.8	13.0	17.1	26.8	30.1	30	35
	E(C,T)M08	6.1	8.0	29.3	33.3	20.8	27.3	41.3	46.8	45	50
	E(C,T)M10	7.6	10.0	36.5	41.7	25.9	34.1	48.4	55.1	50	60
	E(C,T)M15	11.3	15.0	54.3	62.5	38.6	51.2	48.4/21.6	55.1/25	50/25	60/25
AEM 42/43/ 48/49/ 60/61/62	F(C,T)L00	0.0	0.0	0.0	0.0	0.0	0.0	9.5	9.5	15	15
	E(C,T)L05	3.8	5.0	18.3	20.8	13.0	17.1	31.1	34.5	35	35
	E(C,T)L10	7.6	10.0	36.5	41.7	25.9	34.1	52.8	59.5	60	60
	E(C,T)L15	11.3	15.0	54.3	62.5	38.6	51.2	52.8/21.6	59.5/25	60/25	60/25
	E(C,T)L20	15.0	20.0	72.1	83.3	51.2	68.3	52.8/43.3	59.5/50	60/45	60/50
	E(C,T)L25	18.8	25.0	90.4	104.2	64.2	85.3	52.8/ 43.3/21.6	59.5/ 50/25	60/ 45/25	60/ 50/25

In keeping with its commitment to continuous improvement, Aspen Manufacturing reserves the right to make changes without notice and incurring obligation. To stay up-to-date with this product and Aspen's trusted line of coils, air handlers, and more, go to our website. AEM-Spec-2025-03

BLOWER DATA											
MODEL	MOTOR				CFM V. EXTERNAL STATIC PRESSURE						
	SPEED TAP	HP	AMPS	VOLT.	0.10	0.20	0.30	0.40	0.50	0.60	0.70
AEM 18/19/ 24/25	TAP 5	1/3	2.8	240V	932	894	862	827	800	762	-
	TAP 4				750	706	674	627	600	561	-
	TAP 3				600	565	539	502	480	449	-
	TAP 2				750	706	674	627	600	561	-
	TAP 1				932	894	862	827	800	762	-
AEM 30/31/ 36/37	TAP 5	1/2	4.1		1291	1280	1252	1227	1200	1171	-
	TAP 4				1122	1091	1066	1034	1000	982	-
	TAP 3				898	873	853	827	800	786	-
	TAP 2				745	698	668	630	600	558	-
	TAP 1				1291	1280	1252	1227	1200	1171	-
AEM 42/43/ 48/49/ 60/61/ 62	TAP 5	1	7.6		2018	1987	1961	1922	1889	1856	1823
	TAP 4				1738	1696	1667	1636	1598	1566	1527
	TAP 3				1546	1521	1482	1439	1396	1360	1321
	TAP 2				1367	1342	1303	1260	1217	1181	1142
	TAP 1				2018	1987	1961	1922	1889	1856	1823

AIR HANDLER CHASSIS NOMENCLATURE			
AEM	18	F	-001
240V CONSTANT TORQUE ECM MULTI-POSITION AIR HANDLER	NOMINAL TONNAGE (MBTUH)	<b>A1 METERING DEVICE</b> 4 = R410A (TXV NON-BLEED A/C or H/P) X = R22 (TXV NON-BLEED A/C or H/P) B = R22 (TXV 20% BLEED A/C or H/P) F = R22 (PISTON) G = R410A (PISTON)	OPTION CODE
		<b>A2L METERING DEVICE</b> J = R454B (TXV NON-BLEED A/C or H/P) K = R454B (TXV 20% BLEED A/C or H/P) D = R32 (TXV NON-BLEED A/C or H/P) M = R32 (PISTON) N = R454B (PISTON)	

ELECTRIC HEAT NOMENCLATURE			
E	C	S	03
ELECTRIC HEAT	<b>INTERRUPTION</b> C = CIRCUIT BREAKER T = TERMINAL BLOCK	<b>CABINET SIZE &amp; NOM. TONNAGE</b> S = 18 - 25 M = 30 - 17 L = 42 - 62	<b>HEAT STRIP</b> 03 = 3 KW      10 = 10 KW 05 = 5 KW      15 = 15 KW 06 = 6 KW      20 = 20 KW 08 = 8 KW      25 = 25 KW

In keeping with its commitment to continuous improvement, Aspen Manufacturing reserves the right to make changes without notice and incurring obligation. To stay up-to-date with this product and Aspen's trusted line of coils, air handlers, and more, go to our website. AEM-Spec-2025-03



## AEM DIMENSIONS (In.) - FIGURE 1

Model	A	B	C	D	E	F	G	J	K	FILTER SIZE	SHIP. WEIGHT	SKID QTY
AEM 18+E*	21 [533]	40 [1016]	20-1/2 [521]	18-3/4 [476]	12 [305]	7-1/4 [184]	10-1/4 [260]	18-1/2 [470]	18-1/2 [470]	16X20	99	4
AEM 19/24/25+E*	21 [533]	40 [1016]		18-3/4 [476]	12 [305]	8-1/4 [209]	12-1/4 [311]	18-1/2 [470]		16X20	100	
AEM 30+E*	21 [533]	49-1/4 [1251]		18-3/4 [476]	12 [305]	8-1/4 [209]	14-1/4 [362]	18-1/2 [470]		16X20	118	
AEM 36+E*	21 [533]	49-1/4 [1251]		18-3/4 [476]	12 [305]	10-1/4 [260]	16-1/4 [412]	18-1/2 [470]		16X20	118	
AEM 31/37+E*	21 [533]	49-1/4 [1251]		18-3/4 [476]	12 [305]	10-1/4 [260]	16-1/4 [412]	18-1/2 [470]		16X20	147	
AEM 42+E*	24-1/2 [622]	57 [1448]		22-1/4 [565]	14-3/4 [375]	11 [279]	16 [406]	22 [559]		20X20	153	
AEM 48+E*	24-1/2 [622]	57 [1448]		22-1/4 [565]	14-3/4 [375]	13 [330]	18 [457]	22 [559]		20X20	180	
AEM 43/49/60/62+E*	24-1/2 [622]	57 [1448]		22-1/4 [565]	14-3/4 [375]	13 [330]	18 [457]	22 [559]		20X20	180	
AEM 61+E*	24-1/2 [622]	57 [1448]		22-1/4 [565]	14-3/4 [375]	15 [381]	20 [508]	22 [559]		20X20	200	

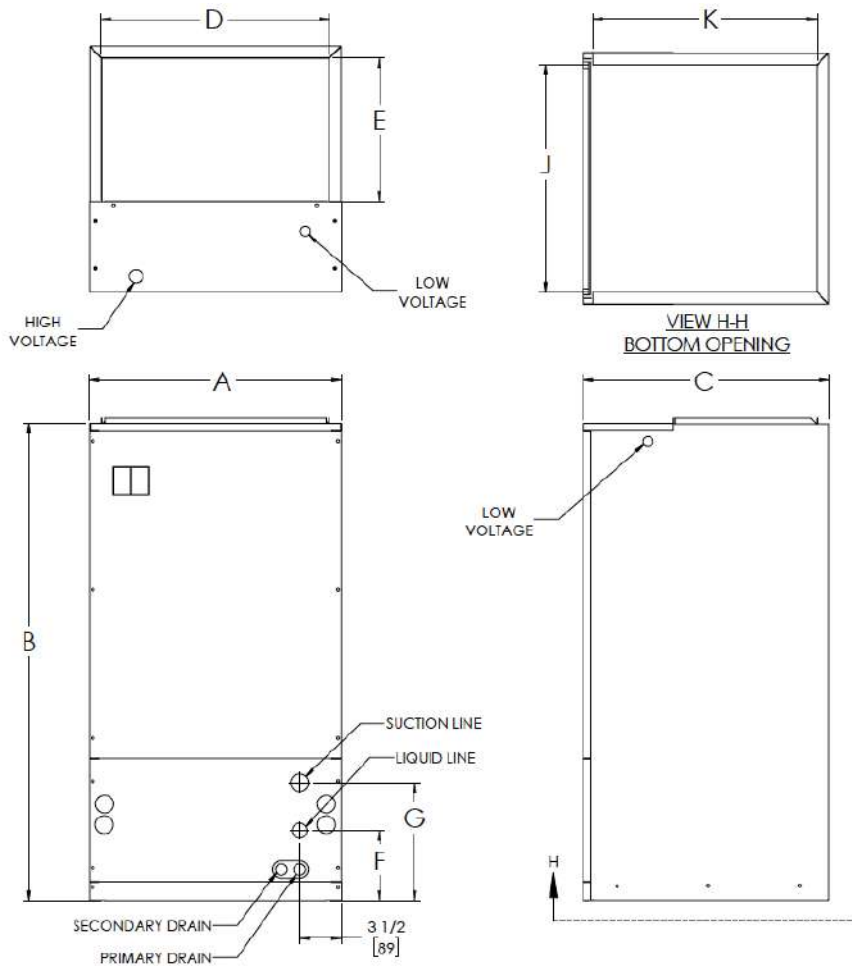
**FIGURE 1**

**SUCTION LINE:**

1.5T to 3.0T = 3/4"

3.5T to 5.0T = 7/8"

**LIQUID LINE:** 3/8"



In keeping with its commitment to continuous improvement, Aspen Manufacturing reserves the right to make changes without notice and incurring obligation. To stay up-to-date with this product and Aspen's trusted line of coils, air handlers, and more, go to our website. AEM-Spec-2025-03



# AEL SERIES

## HIGH-EFFICIENCY ELECTRIC MULTI-POSITION FURNACE

### FEATURES, BENEFITS, DIMENSIONS, & SPECIFICATIONS



Unit shown with service panels removed. Representative drawing only. Some models may vary in appearance. Due to continuous product improvement, specifications are subject to change without notice.

#### APPLICATION VERSATILITY

Upflow or horizontal left as shipped (field convertible for downflow or horizontal right).

- ETL listed for use with R-22, R-410A, R-454B, and R-32 when a proper metering device is used.
- In accordance to UL 60335 Refrigerant Detection Systems are factory-installed on A2L refrigerant ready air handlers.

#### MOTOR

X-13 has 5 speed taps. Multi-speed option available with option code. Motors are pre-programmed at the factory.

#### CABINET

Sturdy, low profile galvanized steel cabinet with painted front panels. Cabinet fully insulated with 1/2" micro mat non-hygroscopic insulation to prevent sweating and mold growth, to encapsulate glass fibers, and to provide excellent R-value. Stick pins ensure insulation remains in place. Units ship with disposable filter in filter rack.

#### MODULAR ELECTRIC HEAT KITS

Heat kits available with either circuit breakers or terminal blocks. Available with 3 to 30 KW. Models with electric heat include sequencers and temperature limit switches for safe, efficient operation. Modules are easily installed in the field using Molex plugs or can be ordered factory-installed. Controls are accessible from the front for easy service. Electrical connections can be made from the top or left. Disconnect does not protrude through the wall panel. Fan time delay relay standard.

#### BLOWER

Direct drive multi-speed blowers circulate air quietly and efficiently and allow for precise air volume selection. Five motor speeds can be easily selected via motor terminals. Blowers mounted on rails so they can be easily removed for service.

**WARRANTY** Five-year limited parts warranty.

**OPTIONS** See options menu.



#### WANT MORE INFORMATION ON ASPEN'S AEL SERIES AIR HANDLERS?

SCAN QR CODE TO VISIT THIS PRODUCT ON OUR WEBSITE



*For complete warranty details, please visit our Warranty Information tab when you visit Aspen's website.*

*To view this coil's product information online for the most up-to-date information scan the QR Code.*

In keeping with its commitment to continuous improvement, Aspen Manufacturing reserves the right to make changes without notice and incurring obligation. To stay up-to-date with this product and Aspen's trusted line of coils, air handlers, and more, go to our website. AEL-Spec-2025-03



HEATING/COOLING PERFORMANCE & ELECTRICAL DATA										
MODEL	ELECTRIC HEAT KIT	PERFORMANCE DATA				ELECTRICAL DATA				
		NOM. COOLING (BTU)	HEATING (KW)		HEATING (KBTUH)		MIN. CIRCUIT AMPACITY (MCA)		MAX. BREAKER OR FUSE SIZE	
			208V	240V	208V	240V	208V	240V	208V	240V
AELS	E(C,T)S00	18,000 - 24,000	0.0	0.0	0.0	0.0	3.5	3.5	15.0	15.0
	E(C,T)S03		2.3	3.0	7.8	10.2	17.0	19.1	20.0	20.0
	E(C,T)S05		3.6	4.8	12.6	16.4	25.1	28.5	25.0	30.0
	E(C,T)S08		6.0	8.0	20.8	27.3	39.6	45.2	40.0	45.0
	E(C,T)S10		7.2	9.6	25.3	32.8	46.8	53.5	50.0	60.0
AELM	E(C,T)S00	30,000 - 36,000	0.0	0.0	0.0	0.0	5.1	5.1	15.0	15.0
	E(C,T)S03		2.3	3.0	7.8	10.2	18.6	20.8	20.0	25.0
	E(C,T)S05		3.6	4.8	12.6	16.4	26.8	30.1	30.0	30.0
	E(C,T)S08		6.0	8.0	20.8	27.3	41.2	46.8	45.0	50.0
	E(C,T)S10		7.2	9.6	25.3	32.8	48.4	55.1	50.0	60.0
	E(C,T)S15		11.3	14.4	38.5	49.1	48.4/21.6	55.1/25	50/25	60/25
AELL	E(C,T)L00	42,000 48,000 60,000	0.0	0.0	0.0	0.0	9.5	9.5	20.0	20.0
	E(C,T)L08		6.1	8.0	7.8	10.2	45.6	51.2	45.0	60.0
	E(C,T)L10		7.4	9.6	12.6	16.4	52.8	59.5	60.0	60.0
	E(C,T)L15		11.3	14.4	38.6	49.1	52.8/21.6	59.5/25	60/25	60/25
	E(C,T)L20		14.4	19.2	49.1	65.5	52.8/43.3	59.5/50	60/45	60/50
	E(C,T)L25		18.0	24.0	61.4	81.9	52.8/43.3/21.6	59.5/50/25	60/45/25	60/50/25
	E(C,T)L30		21.6	28.8	73.7	98.26	52.8/43.3/43.3	59.5/50/50	60/45/45	60/50/50

\*Dry Coil with filter in place. CFM is based on a 3 row coil. For approximate CFM with a 4 row multiply CFM by .96

BLOWER DATA									
MODEL	SPEED TAP	MOTOR			CFM V EXTERNAL STATIC*				
		HP	AMPS	VOLT.	0.10	0.20	0.30	0.40	0.50
AELS	TAP 1	1/3	2.8	650V	650	590	540	500	470
	TAP 2	1/3	2.8	650V	685	650	600	575	540
	TAP 3	1/3	2.8	650V	885	850	810	775	750
	TAP 4	1/3	2.8	650V	1075	1040	1000	960	930
	TAP 5	1/3	2.8	650V	1300	1250	1210	1170	1130
AELM	TAP 1	1/2	4.1	990V	990	980	930	800	750
	TAP 2	1/2	4.1	990V	1100	1050	1020	1000	950
	TAP 3	1/2	4.1	990V	1275	1240	1200	1175	1150
	TAP 4	1/2	4.1	990V	1450	1410	1380	1350	1310
	TAP 5	1/2	4.1	990V	1575	1550	1525	1490	1465
AELL	TAP 1	1	7.6	1340V	1340	1200	1050	865	775
	TAP 2	1	7.6	1340V	1480	1375	1230	1100	980
	TAP 3	1	7.6	1340V	1725	1650	1630	1590	1540
	TAP 4	1	7.6	1340V	1900	1865	1830	1775	1740
	TAP 5	1	7.6	1340V	2120	2075	2015	1975	1940

In keeping with its commitment to continuous improvement, Aspen Manufacturing reserves the right to make changes without notice and incurring obligation. To stay up-to-date with this product and Aspen's trusted line of coils, air handlers, and more, go to our website. AEL-Spec-2025-03

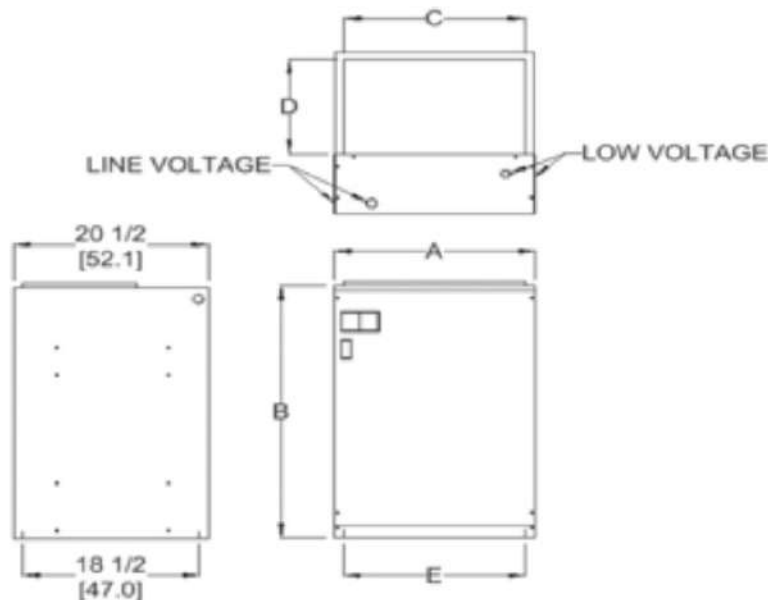


AIR HANDLER CHASSIS NOMENCLATURE		
AAL	S	-001
240V X13 MOTOR MULTI-POSITION ELECTRIC FURNACE	<b>CABINET SIZE &amp; NOM. TONNAGE</b> S = 18 & 24 M = 30 & 36 L = 42, 48 & 60	OPTION CODE

ELECTRIC HEAT KIT NOMENCLATURE			
E	C	S	03
ELECTRIC HEAT	<b>INTERRUPTION</b> C = CIRCUIT BREAKER T = TERMINAL BLOCK P = SINGLE POINT HOOKUP 3 = 3-PHASE CIRCUIT BREAKER 4 = 3-PHASE TERMINAL BLOCK	<b>CABINET SIZE &amp; NOM. TONNAGE</b> S = 18-36 L = 42-60	<b>HEAT STRIP</b> 03 = 3 KW    15 = 15 KW 05 = 5 KW    20 = 20 KW 06 = 6 KW    24 = 24 KW 08 = 8 KW    25 = 25 KW 10 = 10 KW   30 = 30 KW

DIMENSIONS & SHIPPING SPECIFICATIONS (In.) - FIGURE 1								
MODEL	WIDTH (A)	HEIGHT (B)	DUCT OPENING		BOTTOM OPENING	FILTER SIZE	SHIP WEIGHT	SKID QTY
			C	D	E			
AELS	21	26	18-3/4	12	18-1/2	16X20	69	8
AELM	21	26	18-3/4	12	18-1/2	16X20	78	
AELL	24-1/2	32	22-1/4	10-1/2	22	20X20	89	

**FIGURE 1**



In keeping with its commitment to continuous improvement, Aspen Manufacturing reserves the right to make changes without notice and incurring obligation. To stay up-to-date with this product and Aspen's trusted line of coils, air handlers, and more, go to our website. AEL-Spec-2025-03

# LEW SERIES

## VERTICAL WALL-MOUNT, ALUMINUM TUBE, ELECTRIC HEAT AIR HANDLER

### FEATURES, BENEFITS, DIMENSIONS, & SPECIFICATIONS



Unit shown with service panels removed. Representative drawing only. Some models may vary in appearance. Due to continuous product improvement, specifications are subject to change without notice.

#### APPLICATION VERSATILITY

Front or bottom return air position. Offset hanging brackets attach to unit and wall to allow hanging inside closet. Can be AHRI matched with most brands of air conditioners or heat pumps.

- ETL listed for use with R-22, R-410A, R-454B, and R-32 when a proper metering device is used.
- In accordance to UL 60335 Refrigerant Detection Systems are factory-installed on A2L refrigerant ready air handlers.

#### MOTOR

Pre-programmed, 5-speed, 208V/240V ECM motors that ensure higher efficiency and increased energy savings by delivering constant torque during operation.

#### LOW LEAKAGE CABINET

Less than 2% air leakage from cabinet when tested in accordance with ASHRAE standard 193. Unit must be installed according to Aspen installation instructions. Sturdy, fully insulated galvanized steel cabinet; stick pins ensure 1/2" insulation remains in place. Unit ships with disposable filter.

#### MODULAR ELECTRIC HEAT KITS

Heat kits available with either circuit breakers or terminal blocks. Available in 3,5,6,8, and 10 KW. Models with electric heat include sequencers and temperature limit switches for safe, efficient operation. Modules are easily installed in the field using molex plugs or can be ordered factory-installed. Controls are accessible

from the front for easy service and electrical connections can be made from the top or left. Disconnect does not protrude through the wall panel. Fan time delay relay standard for increased efficiency.

#### BLOWER

Direct drive multi-speed blowers circulate air quietly and efficiently. Motor speeds can be easily selected via motor terminals. Swing mounted blowers can be easily removed for service.

#### ELECTRONIC CIRCUIT BOARD

Electronic circuit board provides 30 secs ON/OFF blower time delay extracting more heat/cool from the coil. Automotive-style pull fuse protection on the circuit board to provide low voltage and transformer protection.

#### DX COIL

High efficiency rifled aluminum tubes/enhanced aluminum fins provide maximum heat transfer. All coils factory leak tested with two-stage pressure decay and mass spectrometer process then Nitrogen pressurized and factory sealed for maximum reliability. Liquid-line Schrader allows pre-installation pressure testing. Available with either check style flowrater or TXV metering device. Field-installable TXVs are also available. Galvanized metal drain pan with bottom primary and secondary 3/4" FPT drain connections or alternate right side primary. Access door allows for coil cleaning.



### WANT MORE INFORMATION ON ASPEN'S LEW SERIES AIR HANDLERS?

SCAN QR CODE TO VISIT THIS PRODUCT ON OUR WEBSITE



*For complete warranty details, please visit our Warranty Information tab when you visit Aspen's website. To view this coil's product information online for the most up-to-date information scan the QR Code.*

In keeping with its commitment to continuous improvement, Aspen Manufacturing reserves the right to make changes without notice and incurring obligation. To stay up-to-date with this product and Aspen's trusted line of coils, air handlers, and more, go to our website. LEW-Spec-2025-03

HEATING/COOLING PERFORMANCE & ELECTRICAL DATA										
MODEL	NOM. COOLING (BTU)	ELECTRIC HEAT KIT MODEL	PERFORMANCE DATA				ELECTRICAL DATA			
			HEATING (KW)		HEATING CAPACITY (MBTUH)		MIN. CIRCUIT AMPACITY (MCA)		MAX. BREAKER OR FUSE SIZE	
			208V	240V	208V	240V	208V	240V	208V	240V
LEW 30A/30D/30F	18,000 - 30,000	F(C,T)S00	0.0	0.0	0.0	0.0	3.0	3.0	15	15
		F(C,T)S03	2.3	3.0	7.8	10.2	16.5	18.6	20	20
		F(C,T)S05	3.7	4.8	12.6	16.4	24.6	28	30	30
		F(C,T)S06	4.6	6.0	13.5	17.9	30	34.3	35	35
		F(C,T)S08	6.0	8.0	20.5	27.3	39.1	44.7	40	50
		F(C,T)S10	7.2	9.6	24.5	32.8	46.3	53	50	60
LEW 30B/30C/30E	18,000 - 30,000	F(C,T)S00	0.0	0.0	0.0	0.0	3.5	3.5	15	15
		F(C,T)S03	2.3	3.0	7.8	10.2	17	19.1	20	20
		F(C,T)S05	3.7	4.8	12.6	16.4	25.1	28.5	30	30
		F(C,T)S06	4.6	6.0	13.5	17.9	30.5	34.8	35	35
		F(C,T)S08	6.0	8.0	20.5	27.3	39.6	45.2	40	50
		F(C,T)S10	7.2	9.6	24.5	32.8	46.8	53.5	50	60
LEW 36A/36C	18,000 - 36,000	F(C,T)M00	0.0	0.0	0.0	0.0	5.1	5.1	15	15
		F(C,T)M03	2.3	3.0	7.8	10.2	18.6	20.8	20	25
		F(C,T)M05	3.7	4.8	12.6	16.4	26.8	30.1	30	35
		F(C,T)M06	4.6	6.0	13.5	17.9	32.2	36.4	35	40
		F(C,T)M08	6.0	8.0	20.5	27.3	41.2	46.8	45	50
		F(C,T)M10	7.2	9.6	24.5	32.8	48.4	55.1	50	60
LEW 36B/36D	18,000 - 36,000	F(C,T)M00	0.0	0.0	0.0	0.0	4.5	4.5	15	15
		F(C,T)M03	2.3	3.0	7.8	10.2	18	20.1	20	25
		F(C,T)M05	3.7	4.8	12.6	16.4	26.1	29.5	30	35
		F(C,T)M06	4.6	6.0	13.5	17.9	31.6	35.8	35	40
		F(C,T)M08	6.0	8.0	20.5	27.3	40.6	46.2	45	50
		F(C,T)M10	7.2	9.6	24.5	32.8	47.8	54.5	50	60

In keeping with its commitment to continuous improvement, Aspen Manufacturing reserves the right to make changes without notice and incurring obligation. To stay up-to-date with this product and Aspen's trusted line of coils, air handlers, and more, go to our website. LEW-Spec-2025-03



BLOWER DATA									
MODEL	SPEED TAP	MOTOR			CFM V EXTERNAL STATIC*† (WET COIL)				
		HP	AMPS	VOLT.	0.10	0.20	0.30	0.40	0.50
LEW 30B 30C	TAP 1	1/3	2.8	240V	909	864	840	800	782
	TAP 2	1/3	2.8		723	690	652	631	600
	TAP 3	1/3	2.8		600	656	539	502	480
	TAP 4	1/3	2.8		723	690	652	631	600
	TAP 5	1/3	2.8		909	864	840	800	782
LEW 30D 30E 30F	TAP 1	1/3	2.8		670	645	615	590	570
	TAP 2	1/3	2.8		800	780	750	730	695
	TAP 3	1/3	2.8		875	850	820	790	760
	TAP 4	1/3	2.8		980	955	930	900	875
	TAP 5	1/3	2.8		1065	1035	1015	995	970
LEW 30A	TAP 1	1/3	2.8		655	630	605	580	560
	TAP 2	1/3	2.8		785	765	735	715	685
	TAP 3	1/3	2.8		860	835	805	775	745
	TAP 4	1/3	2.8		960	835	805	775	745
	TAP 5	1/3	2.8		1045	1015	995	975	950
LEW 36A 36C	TAP 1	1/2	4.1		1365	1332	1303	1271	1240
	TAP 2	1/2	4.1		745	698	668	630	600
	TAP 3	1/2	4.1		898	873	853	827	880
	TAP 4	1/2	4.1		1174	1132	1106	1078	1047
	TAP 5	1/2	4.1		1365	1332	1303	1271	1240
LEW 36B 36D	TAP 1	1/2	4.1		745	715	675	640	615
	TAP 2	1/2	4.1		940	910	875	840	805
	TAP 3	1/2	4.1		1100	1070	1025	995	965
	TAP 4	1/2	4.1		1220	1180	1155	1115	1085
	TAP 5	1/2	4.1		1385	1350	1330	1290	1270

\*Wet coil with filter †For 208 operation multiply by 0.90

AIR HANDLER CHASSIS NOMENCLATURE				
LEW	30	A	F	-001
240V X13 MOTOR VERTICAL WALL MOUNT	NOMINAL TONNAGE (MBTUH)	COIL CODE	<b>A1 METERING DEVICE</b> 4 = R410A (TXV NON-BLEED A/C or H/P) X = R22 (TXV NON-BLEED A/C or H/P) B = R22 (TXV 20% BLEED A/C or H/P) F = R22 (PISTON) G = R410A (PISTON)	OPTION CODE
			<b>A2L METERING DEVICE</b> J = R454B (TXV NON-BLEED A/C or H/P) K = R454B (TXV 20% BLEED A/C or H/P) D = R32 (TXV NON-BLEED A/C or H/P) M = R32 (PISTON) N = R454B (PISTON)	

ELECTRIC HEAT NOMENCLATURE			
F	C	S	03
WALL MOUNT ELECTRIC HEAT	<b>INTERRUPTION</b> C = CIRCUIT BREAKER T = TERMINAL BLOCK	<b>CABINET SIZE &amp; NOM. TONNAGE</b> S = 30 M = 36	<b>HEAT STRIP</b> 03 = 3 KW 08 = 8 KW 05 = 5 KW 10 = 10 KW 06 = 6 KW

In keeping with its commitment to continuous improvement, Aspen Manufacturing reserves the right to make changes without notice and incurring obligation. To stay up-to-date with this product and Aspen's trusted line of coils, air handlers, and more, go to our website. LEW-Spec-2025-03

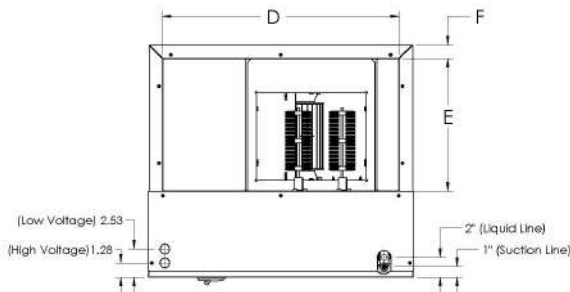


## DIMENSION AND SPECIFICATIONS (In.) - FIGURE 1

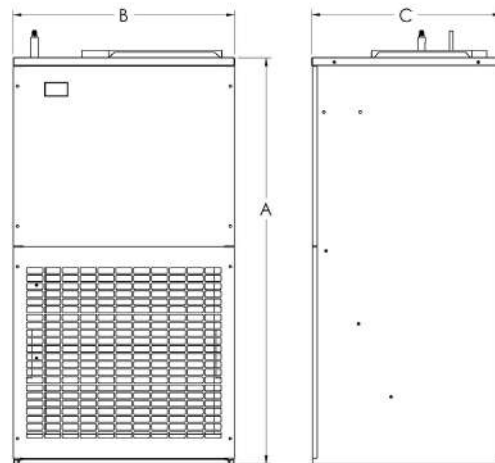
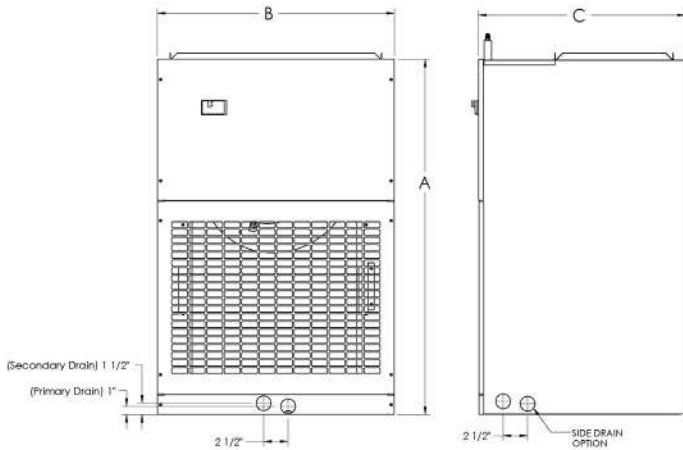
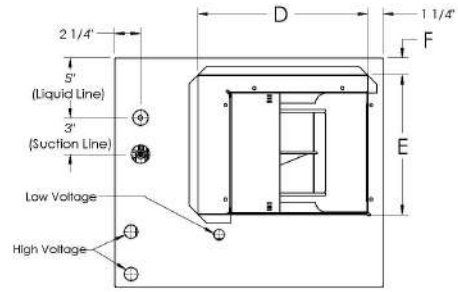
MODEL #	A	B	C	D	E	F	FILTER	PISTON	SHIP. WEIGHT (LB)	SKID QTY
LEW30A*	36 [915]	20-1/2 [521]	15 [381]	18 [457]	9-1/4 [235]	1-1/4 [32]	14X18	0.049	80	4
LEW30B*	37-1/2 [953]	22 [559]	18-3/4 [476]	14 [356]	10 [254]	3-1/4 [83]	18X20	0.049	90	
LEW30C*	37-1/2 [953]	22 [559]	18-3/4 [476]	14 [356]	10 [254]	3-1/4 [83]	18X20	0.055	90	
LEW30D*	36 [915]	24 [610]	21 [533]	21-1/2 [546]	12 [305]	1-1/4 [32]	20X20	0.049	90	
LEW30E*	40-1/2 [1029]	22 [559]	18-3/4 [476]	14 [356]	11-1/2 [292]	1-3/8 [35]	20X20	0.059	102	
LEW30F*	36 [915]	24 [610]	21 [533]	21-1/2 [546]	12 [305]	1-1/4 [32]	20X20	0.055	90	
LEW36A*	37-1/2 [953]	22 [559]	18-3/4 [476]	14 [356]	10 [254]	3-1/4 [83]	18X20	0.049	90	
LEW36B*	36 [915]	24 [610]	21 [533]	21-1/2 [546]	12 [305]	1-1/4 [32]	20X20	0.059	90	
LEW36C*	40-1/2 [1029]	22 [559]	18-3/4 [476]	14 [356]	11-1/2 [292]	1-3/8 [35]	20X20	0.068	102	
LEW36D*	36 [915]	24 [610]	21 [533]	21-1/2 [546]	12 [305]	1-1/4 [32]	20X20	0.068	90	

**FIGURE 1**

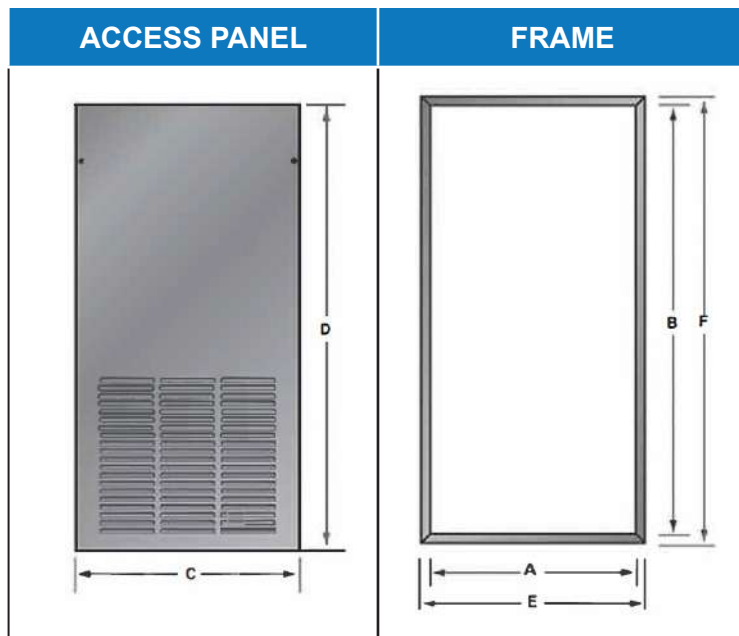
**LEW 30A/30D/30F/36B/36D**



**LEW 30B/30C/30E/36A/36C**



In keeping with its commitment to continuous improvement, Aspen Manufacturing reserves the right to make changes without notice and incurring obligation. To stay up-to-date with this product and Aspen's trusted line of coils, air handlers, and more, go to our website. LEW-Spec-2025-03



INSTALLATION CLEARANCES (In.)		
CABINET CLEARANCE AREA	OPERATION	SERVICE
TOP	0	0
FRONT		30"
SIDES		
REAR		0

DIMENSION & SPECIFICATIONS (In.) - FIGURE 2									
PANEL MODEL	FOR USE WITH	FINISH	A	B	C	D	E	F	# OF PANELS
WAD-7(S/L)	LEW 30B/30C/36A	Embossed	22-5/8	39-7/8	24-1/4	41-1/2	24-1/8	41-3/8	1
WAD-8(S/L)	LEW 30E/36C	Embossed	22-5/8	42-7/8	24-1/4	44-1/2	24-1/8	44-3/8	
WAD-18(S/L)	LEW 30B/30C/36A	Smooth	22-5/8	39-7/8	24-1/4	41-1/2	24-1/8	41-3/8	
WAD-19(S/L)	LEW 30E/36C	Smooth	22-5/8	42-7/8	24-1/4	44-1/2	24-1/8	44-3/8	
WAD-20(S/L)	LEW 30A	Embossed	21-1/8	38-3/8	22-3/4	40	22-5/8	39-7/8	
WAD-21(S/L)	LEW 30D/30F/36B/36D	Embossed	24-5/8	38-3/8	26-1/4	40	26-1/8	39-7/8	
WAD-22(S/L)	LEW 30A	Smooth	21-1/8	38-3/8	22-3/4	40	22-5/8	39-7/8	
WAD-23(S/L)	LEW 30D/30F/36B/36D	Smooth	24-5/8	38-3/8	26-1/4	40	26-1/8	39-7/8	

In keeping with its commitment to continuous improvement, Aspen Manufacturing reserves the right to make changes without notice and incurring obligation. To stay up-to-date with this product and Aspen's trusted line of coils, air handlers, and more, go to our website. LEW-Spec-2025-03

# LAM SERIES

## HIGH-EFFICIENCY MULTI-POSITION, ALUMINUM COIL AIR HANDLER

### FEATURES, BENEFITS, DIMENSIONS, & SPECIFICATIONS



Unit shown with service panels removed. Representative drawing only. Some models may vary in appearance. Due to continuous product improvement, specifications are subject to change without notice.

Direct drive blowers circulate air quietly and efficiently. Three-speed motors allow for precise air volume selection. Rail mounted blowers provide easy removal for service and maintenance.

**WARRANTY** 5-Year

**OPTIONS** See Options menu.

#### APPLICATION VERSATILITY

Upflow or horizontal right as shipped (field-convertible for down-flow or horizontal left applications). Can be AHRI certified with most brands of air conditioners or heat pumps.

- ETL listed for use with R-22, R-410A, R-454B, and R-32 when a proper metering device is used.
- In accordance to UL 60335 Refrigerant Detection Systems are factory-installed on A2L refrigerant ready air handlers.

#### LOW LEAKAGE CABINET

Less than 2% air leakage from cabinet when tested in accordance with ASHRAE standard 193. Unit must be installed according to installation instructions. Sturdy, fully insulated galvanized steel cabinet with knockout for duct return.

#### AIR MOVING SYSTEM

Direct drive blowers circulate air quietly and efficiently. Three-speed motors allow for precise air volume selection. Rail mounted blowers provide easy removal for service and maintenance.

#### ELECTRONIC CONTROL BOARD

An electronic board controls the functioning of the system reducing moving parts. The board provides a blower time delay to maximize heat/cool extraction and offers an integrated fuse for additional protection.

#### ALL ALUMINUM COIL

High efficiency rifled aluminum tubes and enhanced aluminum fins provide maximum heat transfer. All coils factory leak tested with two-stage pressure decay and mass spectrometer process then Nitrogen pressurized and factory sealed for maximum reliability. Available with either factory installed orifice or TXV metering device. Field-installable bolt-on TXVs are also available. Access door allows or easy coil cleaning.



### WANT MORE INFORMATION ON ASPEN'S LAM SERIES AIR HANDLERS?

SCAN QR CODE TO VISIT THIS PRODUCT ON OUR WEBSITE



*For complete warranty details, please visit our Warranty Information tab when you visit Aspen's website. To view this coil's product information online for the most up-to-date information scan the QR Code.*

In keeping with its commitment to continuous improvement. Aspen Manufacturing reserves the right to make changes without notice and incurring obligation. To stay up-to-date with this product and Aspen's trusted line of coils, air handlers, and more, go to our website. LAM-Spec-2025-03



HEATING/COOLING PERFORMANCE & ELECTRICAL DATA											
MODEL	ELECTRIC HEAT KIT MODEL	PERFORMANCE DATA						ELECTRICAL DATA			
		HEATING (KW)		HEAT KIT (A)		HEATING CAPACITY (MBTUH)		MIN. CIRCUIT AMPACITY (MCA)		MAX. BREAKER OR FUSE SIZE	
		208V	240V	208V	240V	208V	240V	208V	240V	208V	240V
LAM 24/25/26	E(C,T)S00	0.0	0.0	0.0	0.0	0.0	0.0	2.3	2.3	15	15
	E(C,T)S03	2.3	3.0	11.1	12.5	7.8	10.2	15.8	17.9	20	20
	E(C,T)S05	3.8	5.0	18.3	20.8	13.0	17.1	23.9	27.3	25	30
	E(C,T)S08	6.1	8.0	29.3	33.3	20.8	27.3	38.3	43.9	40	45
	E(C,T)S10	7.6	10.0	36.5	41.7	25.9	34.1	45.5	52.3	50	60
LAM 30/31/32	E(C,T)S00	0.0	0.0	0.0	0.0	0.0	0.0	3.3	3.3	15	15
	E(C,T)S03	2.3	3.0	11.1	12.5	7.8	10.2	16.8	18.9	20	25
	E(C,T)S05	3.8	5.0	18.3	20.8	13.0	17.1	24.9	28.3	30	30
	E(C,T)S08	6.1	8.0	29.3	33.3	20.8	27.3	39.3	44.9	45	50
	E(C,T)S10	7.6	10.0	36.5	41.7	25.0	34.1	46.6	53.3	50	60
	E(C,T)S15	11.3	15.0	54.3	62.5	38.6	51.2	46.5/21.6	53.3/25	50/25	60/25
LAM 36/37/38	E(C,T)S00	0.0	0.0	0.0	0.0	0.0	0.0	3.3	3.3	15	15
	E(C,T)S03	2.3	3.0	11.1	12.5	7.8	10.2	16.8	18.9	20	25
	E(C,T)S05	3.8	5.0	18.3	20.8	13.0	17.1	24.9	28.3	30	30
	E(C,T)S08	6.1	8.0	29.3	33.3	20.8	27.3	39.3	44.9	45	50
	E(C,T)S10	7.6	10.0	36.5	41.7	25.0	34.1	46.6	53.3	50	60
	E(C,T)S15	11.3	15.0	54.3	62.5	38.6	51.2	46.5/21.6	53.3/25	50/25	60/25
LAM 42/43	E(C,T)L00	0.0	0.0	0.0	0.0	0.0	0.0	5.5	5.5	15	15
	E(C,T)L05	3.8	5.0	18.3	20.8	13.0	17.1	27.1	30.5	30	35
	E(C,T)L10	7.6	10.0	36.5	41.7	25.9	34.1	48.8	55.5	50	60
	E(C,T)L15	11.3	15.0	54.3	62.5	38.6	51.2	48.8/21.6	55.5/25	50/25	60/25
	E(C,T)L20	15.0	20.0	72.1	83.3	51.2	68.3	48.8/43.3	55.5/50	50/45	60/50
	E(C,T)L25	18.8	25.0	90.4	104.2	64.2	85.3	48.8/43.3/21.6	59.5/50/25	50/45/25	60/50/50
LAM 48/49	E(C,T)L00	0.0	0.0	0.0	0.0	0.0	0.0	5.5	5.5	15	15
	E(C,T)L05	3.8	5.0	18.3	20.8	13.0	17.1	27.1	30.5	30	35
	E(C,T)L10	7.6	10.0	36.5	41.7	25.9	34.1	48.8	55.5	50	60
	E(C,T)L15	11.3	15.0	54.3	62.5	38.6	51.2	48.8/21.6	55.5/25	50/25	60/25
	E(C,T)L20	15.0	20.0	72.1	83.3	51.2	68.3	48.8/43.3	55.5/50	50/45	60/50
	E(C,T)L25	18.8	25.0	90.4	104.2	64.2	85.3	48.8/43.3/21.6	59.5/50/25	50/45/25	60/50/25
LAM60/61/62	E(C,T)L00	0.0	0.0	0.0	0.0	0.0	0.0	5.5	5.5	15	15
	E(C,T)L05	3.8	5.0	18.3	20.8	13.0	17.1	27.1	30.5	30	35
	E(C,T)L10	7.6	10.0	36.5	41.7	25.9	34.1	48.8	55.5	50	60
	E(C,T)L15	11.3	15.0	54.3	62.5	38.6	51.2	48.8/21.6	55.5/25	50/25	60/25
	E(C,T)L20	15.0	20.0	72.1	83.3	51.2	68.3	48.8/43.3	55.5/50	50/45	60/50
	E(C,T)L25	18.8	25.0	90.4	104.2	64.2	85.3	48.8/43.3/21.6	59.5/50/25	50/45/25	60/50/25

In keeping with its commitment to continuous improvement, Aspen Manufacturing reserves the right to make changes without notice and incurring obligation. To stay up-to-date with this product and Aspen's trusted line of coils, air handlers, and more, go to our website. LAM-Spec-2025-03



BLOWER DATA									
MODEL	MOTOR				CFM VS. EXTERNAL STATIC				
	MOTOR SPEED	HP	AMPS	VOLT.	0.1	0.2	0.3	0.4	0.5
LAM 24/25/26	LOW	1/5	1.8	240V	835	800	790	750	695
	HIGH	1/5	1.8		915	880	875	825	770
LAM 30/31/32/36/37/38	LOW	1/3	2.6		1130	1100	1050	1000	960
	HIGH	1/3	2.6		1410	1350	1280	1200	1160
LAM 42/43/48/49/60/61/62	LOW	3/4	4.4		1520	1500	1485	1460	1440
	MID	3/4	4.4		1700	1675	1640	1620	1575
	HIGH	3/4	4.4		2060	2020	1980	1935	1885

AIR HANDLER CHASSIS NOMENCLATURE				
LAM	18	D	G	-000
240V PSC MULTI-POSITION AIR HANDLER	<b>VOLTAGE</b> 240V ECM MOTOR (CONSTANT TORQUE) ELECTRIC AIR HANDLER	<b>CONFIGUR.</b> S = UNCASSED CEILING MOUNT T = CASSED CEILING MOUNT	<b>A1 METERING DEVICE</b> 4 = R410A (TXV NON-BLEED A/C or H/P) X = R22 (TXV NON-BLEED A/C or H/P) B = R22 (TXV 20% BLEED A/C or H/P) F = R22 (PISTON) G = R410A (PISTON)	OPTION CODE
			<b>A2L METERING DEVICE</b> J = R454B (TXV NON-BLEED A/C or H/P) K = R454B (TXV 20% BLEED A/C or H/P) D = R32 (TXV NON-BLEED A/C or H/P) M = R32 (PISTON) N = R454B (PISTON)	

ELECTRIC HEAT KIT NOMENCLATURE			
E	C	S	03
ELECTRIC HEAT	<b>INTERRUPTION</b> C = CIRCUIT BREAKER T = TERMINAL BLOCK	<b>CABINET SIZE &amp; NOM. TONNAGE</b> S = 24-38 L = 42-62	<b>HEAT STRIP</b> 00 = 0 KW    10 = 10 KW 03 = 3 KW    15 = 15 KW 05 = 5 KW    20 = 20 KW 06 = 6 KW    25 = 25 KW 08 = 8 KW

In keeping with its commitment to continuous improvement, Aspen Manufacturing reserves the right to make changes without notice and incurring obligation. To stay up-to-date with this product and Aspen's trusted line of coils, air handlers, and more, go to our website. LAM-Spec-2025-03



## LAM DIMENSIONS (In.) - FIGURE 1

Model	A	B	C	D	E	F	G	J	K	FILTER SIZE	SHIP. WEIGHT	SKID QTY
LAM 24/25+E*	21 [533]	40 [1016]	20-1/2 [521]	18-3/4 [476]	12 [305]	8-1/4 [209]	12-1/4 [311]	18-1/2 [470]	18-1/2 [470]	16X20	100	4
LAM 30+E*	21 [533]	49-1/4 [1251]		18-3/4 [476]	12 [305]	8-1/4 [209]	14-1/4 [362]	18-1/2 [470]		16X20	118	
LAM 26/32/36/38+E*	21 [533]	49-1/4 [1251]		18-3/4 [476]	12 [305]	10-1/4 [260]	16-1/4 [412]	18-1/2 [470]		16X20	118	
LAM 42+E*	24-1/2 [622]	57 [1448]		22-1/4 [565]	14-3/4 [375]	11 [279]	16 [406]	22 [559]		20X20	153	
LAM 48+E*	24-1/2 [622]	57 [1448]		22-1/4 [565]	14-3/4 [375]	13 [330]	18 [457]	22 [559]		20X20	180	
LAM 43/49/60/62+E*	24-1/2 [622]	57 [1448]		22-1/4 [565]	14-3/4 [375]	13 [330]	18 [457]	22 [559]		20X20	180	
LAM 61+E*	24-1/2 [622]	57 [1448]		22-1/4 [565]	14-3/4 [375]	15 [381]	20 [508]	22 [559]		20X20	200	

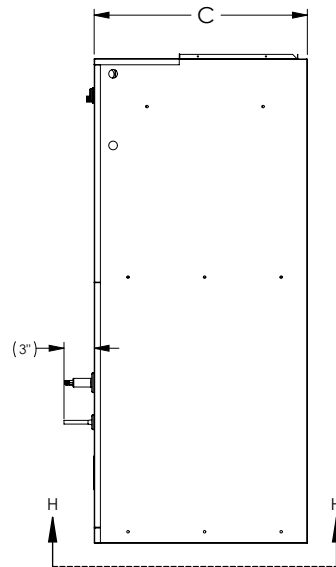
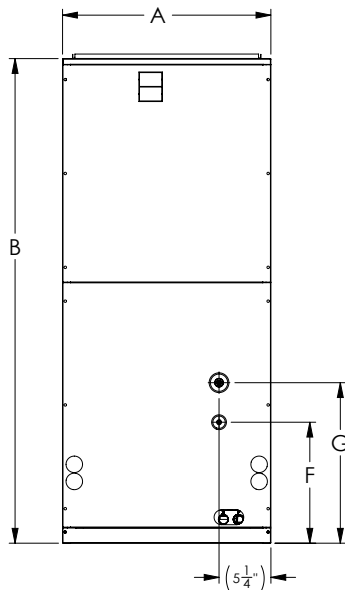
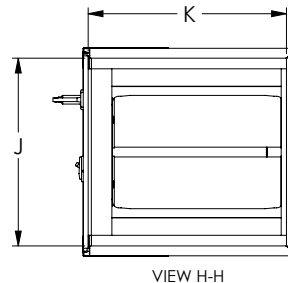
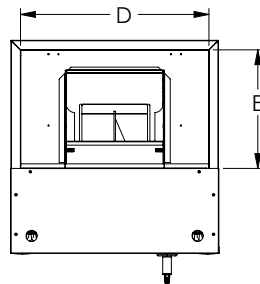
**FIGURE 1**

**SUCTION LINE:**

1.5T to 3.0T = 3/4"

3.5T to 5.0T = 7/8"

**LIQUID LINE:** 3/8"



In keeping with its commitment to continuous improvement, Aspen Manufacturing reserves the right to make changes without notice and incurring obligation. To stay up-to-date with this product and Aspen's trusted line of coils, air handlers, and more, go to our website. LAM-Spec-2025-03



# LEM SERIES

## HIGH-EFFICIENCY MULTI-POSITION, ALUMINUM COIL AIR HANDLER

### FEATURES, BENEFITS, DIMENSIONS, & SPECIFICATIONS



Unit shown with service panels removed. Representative drawing only. Some models may vary in appearance. Due to continuous product improvement, specifications are subject to change without notice.

#### APPLICATION VERSATILITY

Upflow or horizontal right as shipped (field convertible for down-flow or horizontal left applications). Can be AHRI certified with most brands of air conditioners or heat pumps.

- ETL listed for use with R-22, R-410A, R-454B, and R-32 when a proper metering device is used.
- In accordance to UL 60335 Refrigerant Detection Systems are factory-installed on A2L refrigerant ready air handlers.

#### LOW LEAKAGE CABINET

Less than 2% air leakage from cabinet when tested in accordance with ASHRAE standard 193. Unit must be installed according to installation instructions. Sturdy, fully insulated galvanized steel cabinet with knockout for duct return.

#### AIR MOVING SYSTEM

Constant torque ECM speeds and torques are controlled by software embedded in the motor to maintain constant torque. Motors are pre-programmed with speeds and torques at the factory for optimal performance and reliability. Direct drive blowers circulate air quietly and efficiently. Rail mounted blowers provide easy removal for service and maintenance.

#### ELECTRONIC CONTROL BOARD

An electronic board controls the functioning of the system, reducing moving parts. The board provides a blower time delay to maximize heat/cool extraction and offers an integrated fuse for additional protection.

#### ALL ALUMINUM COIL

High efficiency rifled aluminum tubes and enhanced aluminum fins provide maximum heat transfer. All coils factory leak tested with two-stage pressure decay and mass spectrometer process, then Nitrogen pressurized, and factory-sealed for maximum reliability. Available with either factory-installed orifice or TRXV metering device. Field-installable bolt-on TXVs are also available. Access door allows for easy coil cleaning.

**OPTIONS** See Options menu.



#### WANT MORE INFORMATION ON ASPEN'S LEM SERIES AIR HANDLERS?

SCAN QR CODE TO VISIT THIS PRODUCT ON OUR WEBSITE



*For complete warranty details, please visit our Warranty Information tab when you visit Aspen's website.  
To view this coil's product information online for the most up-to-date information scan the QR Code.*

In keeping with its commitment to continuous improvement. Aspen Manufacturing reserves the right to make changes without notice and incurring obligation. To stay up-to-date with this product and Aspen's trusted line of coils, air handlers, and more, go to our website. LEM-Spec-2025-03





HEATING/COOLING PERFORMANCE & ELECTRICAL DATA													
MODEL	ELECTRIC HEAT			PERFORMANCE DATA				ELECTRICAL DATA					
	ELECTRIC HEAT KIT MODEL	MIN. MOTOR SPEED TAP	MIN. CFM REQ.	HEATING (KW)		TOT. AMPS (A)		HEATING CAPACITY (MBTUH)		MIN. CIRCUIT AMPACITY (MCA)		MAX. BREAKER OR FUSE SIZE	
				208V	240V	208V	240V	208V	240V	208V	240V	208V	240V
LEM 24A-E	N(C,T)S00	N/A	NA	0.0	0.0	2.8	2.8	0.0	0.0	3.5	3.5	15	15
	N(C,T)S03	TAP 2	630	2.3	3.0	13.6	15.3	7.8	10.2	17.0	19.1	20	20
	N(C,T)S05	TAP 2	630	3.6	4.8	20.1	22.8	12.3	16.4	25.1	28.5	30	30
LEM 36L	N(C,T)S06	TAP 2	630	4.5	6.0	24.4	27.8	15.4	20.5	30.5	34.8	35	35
	N(C,T)S08	TAP 2	630	6.0	8.0	31.6	36.1	20.5	27.3	39.6	45.2	40	50
	N(C,T)S10	TAP 3	750	7.2	9.6	37.4	42.8	24.6	32.8	46.8	53.5	50	60
LEM 24F-K	N(C,T)M00	N/A	NA	0.0	0.0	4.1	4.1	0.0	0.0	5.1	5.1	15	15
	N(C,T)M03	TAP 3	800	2.3	3.0	14.9	16.6	7.8	10.2	18.6	20.8	20	25
LEM 36A-E	N(C,T)M05	TAP 3	800	3.6	4.8	21.4	24.1	12.3	16.4	26.8	30.1	30	35
	N(C,T)M06			4.5	6.0	25.7	29.1	15.4	20.5	32.2	36.4	35	40
LEM 36K,M	N(C,T)M08	TAP 3	800	6.0	8.0	32.9	37.4	20.5	27.3	41.2	46.8	45	50
	N(C,T)M10	TAP 4	1060	7.2	9.6	38.7	44.1	24.6	32.8	48.4	55.1	50	60
LEM 48L	N(C,T)M15	TAP 4	1060	7.2/ 3.6	9.6/ 4.8	38.7/ 17.3	44.1/ 20.0	36.8	49.1	48.4/ 21.6	55.1/ 25	50/ 25	60/ 25
LEM 36F-J	N(C,T)L00	N/A	NA	0.0	0.0	7.6	7.6	0.0	0.0	9.5	9.5	15	15
	N(C,T)L03	TAP 2	1050	2.3	3.0	18.4	20.1	7.8	10.2	23	25.1	25	30
	N(C,T)L05	TAP 2	1050	3.6	4.8	24.9	27.6	12.3	16.4	31.1	34.5	35	35
LEM 48A-E	N(C,T)L06	TAP 2	1050	4.5	6.0	29.2	32.6	15.4	20.5	36.5	40.8	40	45
	N(C,T)L08	TAP 2	1050	6.0	8.0	36.4	40.9	20.5	27.3	45.6	51.2	50	60
*LEM 60A-E	N(C,T)L10	TAP 2	1050	7.2	9.6	42.2	47.6	24.6	32.8	52.8	59.5	60	60
*LEM 60K-M	N(C,T)L15	TAP 3	1200	7.2/ 3.6	9.6/ 4.8	42.2/ 17.3	47.6/ 20.0	36.8	49.1	52.8/ 21.6	59.5/ 25	60/ 25	60/ 25
	*N(C,T)L20	TAP 3	1200	7.2/ 7.2	9.6/ 9.6	42.2/ 34.6	47.6/ 40.0	49.1	65.5	52.8/ 43.3	59.5/ 50	60/ 45	60/ 50
LEM 48F-J	N(C,T)X00	N/A	NA	0.0	0.0	7.6	7.6	0.0	0.0	9.5	9.5	15	15
	N(C,T)X03	TAP 2	1435	2.3	3.0	18.4	20.1	7.8	10.2	23	25.1	25	30
	N(C,T)X05	TAP 2	1435	3.6	4.8	24.9	27.6	12.3	16.4	31.1	34.5	35	35
LEM 60F-J	N(C,T)X06	TAP 2	1435	4.5	6.0	29.2	32.6	15.4	20.5	36.5	40.8	40	45
	N(C,T)X08	TAP 2	1435	6.0	8.0	36.4	40.9	20.5	27.3	45.6	51.2	50	60
	N(C,T)X10	TAP 2	1435	7.2	9.6	42.2	47.6	24.6	32.8	52.8	59.5	60	60
	N(C,T)X15	TAP 2	1435	7.2/ 3.6	9.6/ 4.8	42.2/ 17.3	47.6/ 20.0	36.8	49.1	52.8/ 21.6	59.5/ 25	60/ 25	60/ 25
	N(C,T)X20	TAP 2	1435	7.2/ 7.2	9.6/ 9.6	42.2/ 34.6	47.6/ 40.0	49.1	65.5	52.8/ 43.3	59.5/ 50	60/ 45	60/ 50

NOTE: \* = The N(C,T)L20 is only available for the LEM60(A-E) & LEM60(K-M)  
 In keeping with its commitment to continuous improvement, Aspen Manufacturing reserves the right to make changes without notice and incurring obligation.  
 To stay up-to-date with this product and Aspen's trusted line of coils, air handlers, and more, go to our website. LEM-Spec-2025-03



AIR HANDLER CHASSIS NOMENCLATURE				
LEM	18	D	G	000
240V CONSTANT TORQUE ECM MULTI-POSITION AIR HANDLER	NOMINAL TONNAGE (MBTUH)	D = COIL SIZE (SLAB SIZE, DEPTH, ROWS)	<b>A1 METERING DEVICE</b> 4 = R410A (TXV NON-BLEED A/C or H/P) X = R22 (TXV NON-BLEED A/C or H/P) B = R22 (TXV 20% BLEED A/C or H/P) F = R22 (PISTON) G = R410A (PISTON)	OPTION CODE
			<b>A2L METERING DEVICE</b> J = R454B (TXV NON-BLEED A/C or H/P) K = R454B (TXV 20% BLEED A/C or H/P) D = R32 (TXV NON-BLEED A/C or H/P) M = R32 (PISTON) N = R454B (PISTON)	

ELECTRIC HEAT KIT NOMENCLATURE			
N	C	M	03
ELECTRIC HEAT	<b>INTERRUPTION</b> C = CIRCUIT BREAKER T = TERMINAL BLOCK	<b>S = 24(A-E)</b> 36L	<b>HEAT STRIP</b> 00 = 0 KW    06 = 6 KW 03 = 3 KW    08 = 8 KW 05 = 5 KW    10 = 10 KW
		<b>M = 24(F-K)</b> 36(A-E) 48 (K-L)	<b>HEAT STRIP</b> 00 = 0 KW    08 = 8 KW 03 = 3 KW    10 = 10 KW 05 = 5 KW    15 = 15 KW 06 = 6 KW
		<b>L = 36(F-J)</b> 48(A-E) 60(A-E)* 60(K-M)*	<b>HEAT STRIP</b> 00 = 0 KW    08 = 8 KW 03 = 3 KW    10 = 10 KW 05 = 5 KW    15 = 15 KW 06 = 6 KW    20 = 20 KW
		<b>X = 48(F-J)</b> 60(F-J)	<b>HEAT STRIP</b> 00 = 0 KW    08 = 8 KW 03 = 3 KW    10 = 10 KW 05 = 5 KW    15 = 15 KW 06 = 6 KW    20 = 20 KW

NOTE: \* = The N(C/T)L20 is only available for the LEM60(A-E) & LEM60(K-M)

BLOWER DATA														
MODEL	SPEED TAP	MOTOR			CFM VS EXTERNAL STATIC									
		HP	AMPS	VOLT.	0.1	0.2	0.3	0.4	0.5	0.6	0.7	0.8	0.9	1.0
LEM 24A-E	TAP 5	1/3	2.8	240V	1030	1000	975	945	910	880	865	830	795	750
	TAP 4				975	945	910	880	865	830	795	775	715	700
	TAP 3				845	810	780	755	725	705	665	635	600	550
	TAP 2				775	745	725	700	665	645	610	575	525	465
	TAP 1				645	620	590	565	550	510	480	420	370	330
LEM 36L	TAP 5	1/3	2.8	240V	1250	1225	1200	1175	1150	1125	1050	960	-	-
	TAP 4				1160	1140	1115	1090	1075	1030	1000	975	900	-
	TAP 3				925	900	865	845	810	775	745	710	695	650
	TAP 2				810	770	740	710	680	655	620	590	550	510
	TAP 1				650	640	610	575	540	510	475	420	380	345

In keeping with its commitment to continuous improvement, Aspen Manufacturing reserves the right to make changes without notice and incurring obligation. To stay up-to-date with this product and Aspen's trusted line of coils, air handlers, and more, go to our website. LEM-Spec-2025-03



**BLOWER DATA - CONTINUED**

MODEL	SPEED TAP	MOTOR			CFM VS EXTERNAL STATIC									
		HP	AMPS	VOLT.	0.1	0.2	0.3	0.4	0.5	0.6	0.7	0.8	0.9	1.0
LEM24F-M	TAP 5	1/2	4.1	240V	1320	1300	1285	1265	1225	1200	1165	1130	1100	1070
	TAP 4	1/2	4.1		1150	1130	1115	1090	1060	1020	975	945	880	810
LEM36A-E	TAP 3	1/2	4.1		930	910	875	845	800	765	675	625	590	540
LEM36K,M	TAP 2	1/2	4.1		825	790	755	720	675	600	550	510	485	440
	TAP 1	1/2	4.1		745	725	675	645	565	525	480	445	400	350
LEM48L	TAP 5	1/2	4.1		1375	1340	1315	1300	1255	1200	1150	1120	1090	1050
	TAP 4	1/2	4.1		1175	1150	1125	1075	1075	1045	990	960	900	845
	TAP 3	1/2	4.1		915	900	880	850	800	765	705	665	620	590
	TAP 2	1/2	4.1		850	830	780	730	675	635	585	550	510	450
	TAP 1	1/2	4.1		725	705	675	620	565	530	485	460	415	380
LEM36F-J	TAP 5	1	7.6		1690	1650	1630	1610	1600	1590	1570	1550	1515	1500
	TAP 4	1	7.6		1580	1460	1435	1420	1400	1370	1350	1325	1275	1250
LEM48A-E	TAP 3	1	7.6		1300	1275	1260	1240	1200	1165	1130	1100	1075	1050
LEM60A-E	TAP 2	1	7.6		1175	1160	1130	1090	1050	1000	960	930	900	860
	TAP 1	1	7.6		1020	975	945	900	850	810	775	715	695	650
LEM60C	TAP 5	1	7.6		1750	1730	1695	1655	1630	1570	1520	1475	1450	1415
	TAP 4	1	7.6		1560	1520	1475	1435	1435	1375	1350	1325	1275	1250
	TAP 3	1	7.6		1350	1300	1275	1225	1200	1175	1125	1100	1060	1030
	TAP 2	1	7.6		1175	1140	1100	1075	1050	1000	975	928	895	790
	TAP 1	1	7.6		990	940	910	880	850	790	775	675	620	600
LEM60K-M	TAP 5	1	7.6	2080	2050	2025	2000	1965	1935	1910	1880	1845	1825	
	TAP 4	1	7.6	1990	1965	1940	1910	1885	1855	1825	1790	1760	1725	
	TAP 3	1	7.6	1855	1830	1795	1775	1745	1710	1680	1645	1615	1580	
	TAP 2	1	7.6	1575	1540	1510	1475	1435	1400	1360	1320	1280	1240	
	TAP 1	1	7.6	1380	1345	1305	1265	1225	1175	1135	1085	1040	990	
LEM48F-J	TAP 5	1	7.6	2130	2090	2050	2005	1965	1920	1875	1855	1830	1780	
	TAP 4	1	7.6	1990	1950	1910	1860	1815	1775	1745	1710	1675	1635	
LEM60F-J	TAP 3	1	7.6	1815	1760	1725	1675	1615	1600	1560	1520	1475	1415	
	TAP 2	1	7.6	1635	1595	1560	1500	1435	1415	1370	1300	1200	1125	
	TAP 1	1	7.6	1480	1435	1370	1325	1275	1230	1150	1040	980	925	

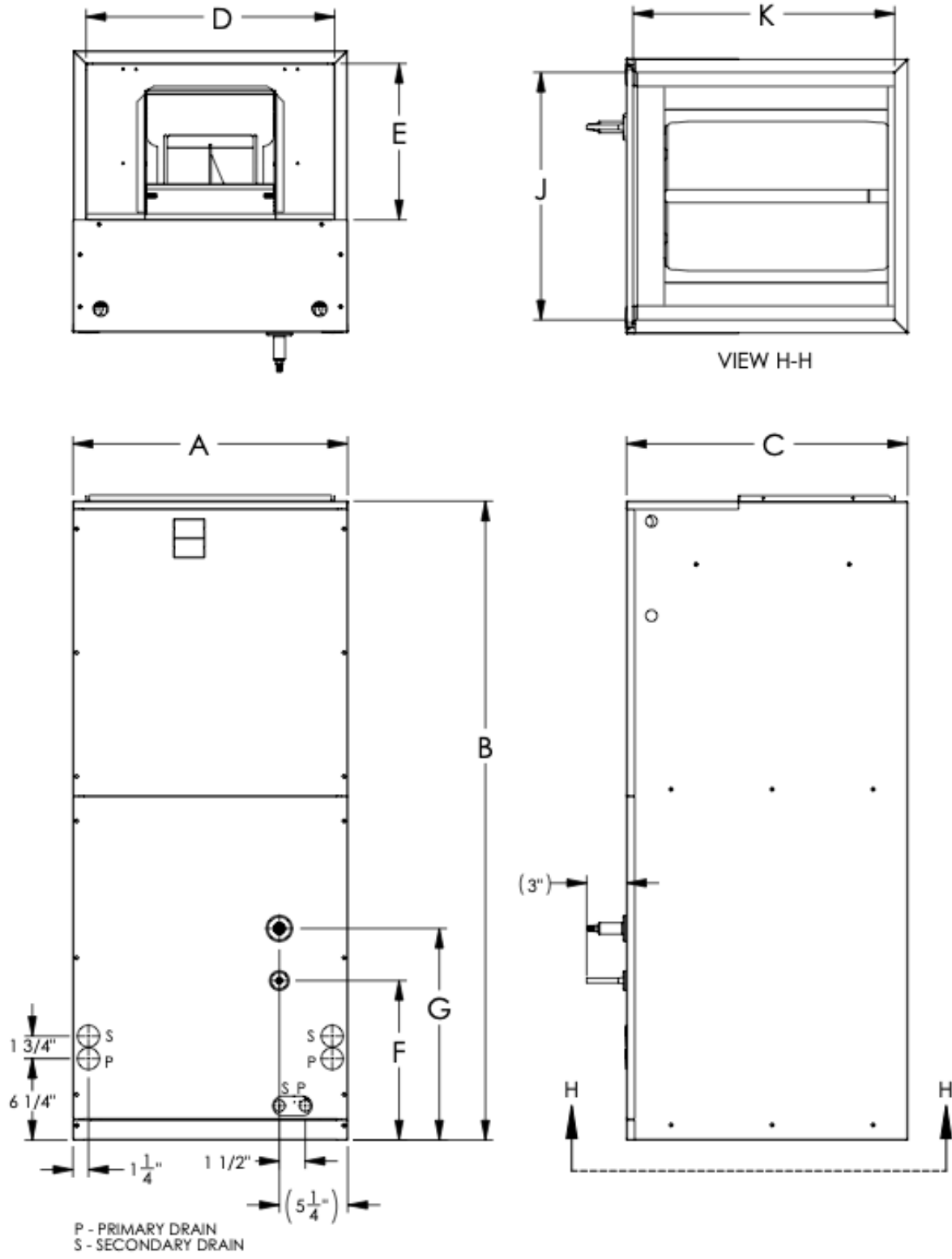
In keeping with its commitment to continuous improvement, Aspen Manufacturing reserves the right to make changes without notice and incurring obligation. To stay up-to-date with this product and Aspen's trusted line of coils, air handlers, and more, go to our website. LEM-Spec-2025-03

**LEM DIMENSIONS (In.) - FIGURE 1**

Model	A	B	C	D	E	F	G	J	K	FILTER SIZE	SHIP. WEIGHT	SKID QTY
LEM24A	14-1/2 [368]	40 [1016]	21-1/2 [546]	12-1/2 [318]	12 [304]	5 [127]	9 [229]	12-1/2 [218]	20 [508]	12X20	92	6
LEM24B	14-1/2 [368]	40 [1016]		12-1/2 [318]	12 [304]	9 [229]	5 [127]	12-1/2 [218]		12X20	92	6
LEM24C	14-1/2 [368]	40 [1016]		12-1/2 [318]	12 [304]	4 [102]	7 [178]	12-1/2 [218]		12X20	92	6
LEM24D	14-1/2 [368]	40 [1016]		12-1/2 [318]	12 [304]	5 [127]	9 [229]	12-1/2 [218]		12X20	92	6
LEM24E	14-1/2 [368]	40 [1016]		12-1/2 [318]	12 [304]	4 [102]	7 [178]	12-1/2 [218]		12X20	92	6
LEM36L	14-1/2 [368]	40 [1016]		12-1/2 [318]	12 [304]	5 [127]	9 [229]	12-1/2 [218]		12X20	92	6
LEM 24F/36A	17-1/2 [445]	46 [1168]		15-1/2 [394]	12 [304]	10 [254]	13 [330]	15-1/2 [394]		14X20	115	4
LEM 24G/36B/48K	17-1/2 [445]	46 [1168]		15-1/2 [394]	12 [304]	4 [102]	7 [178]	15-1/2 [394]		14X20	115	4
LEM 24H/36C	17-1/2 [445]	46 [1168]		15-1/2 [394]	12 [304]	5 [127]	9 [229]	15-1/2 [394]		14X20	115	4
LEM24I/36D/ 24L/36K	17-1/2 [445]	46 [1168]		15-1/2 [394]	12 [304]	8 [203]	11 [279]	15-1/2 [394]		14X20	115	4
LEM24J/36E/ 24M/36M	17-1/2 [445]	46 [1168]		15-1/2 [394]	12 [304]	10 [254]	13 [330]	15-1/2 [394]		14X20	115	4
LEM24K	17-1/2 [445]	46 [1168]		15-1/2 [394]	12 [304]	6-1/2 [165]	10 [254]	15-1/2 [394]		14X20	115	4
LEM48L	17-1/2 [445]	46 [1168]		15-1/2 [394]	12 [304]	10 [254]	13 [330]	15-1/2 [394]		14X20	115	4
LEM 36F/48A	21 [533]	49 [125]		19 [483]	12 [304]	9 [229]	12 [305]	19 [483]		16X20	151	4
LEM 36G/48B	21 [533]	49 [1245]	19 [483]	12 [304]	7 [178]	10 [254]	19 [483]	16X20	151	4		
LEM 36H/48C	21 [533]	49 [1245]	19 [483]	12 [304]	9 [229]	12 [305]	19 [483]	16X20	151	4		
LEM 36I/48D	21 [533]	49 [1245]	19 [483]	12 [304]	10 [254]	14 [356]	19 [483]	16X20	151	4		
LEM 36J/48E	21 [533]	49 [1245]	19 [483]	12 [304]	12 [305]	16 [406]	19 [483]	16X20	151	4		
LEM60A	21 [533]	57 [1448]	19 [483]	12 [304]	18 [457]	22 [559]	19 [483]	16X20	173	4		
LEM 60B/60K	21 [533]	57 [1448]	19 [483]	12 [304]	12 [305]	16 [406]	19 [483]	16X20	173	4		
LEM 60C/60L	21 [533]	57 [1448]	19 [483]	12 [304]	14 [356]	18 [457]	19 [483]	16X20	173	4		
LEM 60D/60M	21 [533]	57 [1448]	19 [483]	12 [304]	16 [406]	20 [508]	19 [483]	16X20	173	4		
LEM60E	21 [533]	57 [1448]	19 [483]	12 [304]	18 [457]	22 [559]	19 [483]	16X20	173	4		
LEM 48F/60F	24-1/2 [622]	57 [1448]	22-1/2 [572]	10-1/2 [267]	18 [457]	22 [559]	22-1/2 [572]	20X20	180	4		
LEM 48G/60G	24-1/2 [622]	57 [1448]	22-1/2 [572]	10-1/2 [267]	12 [305]	16 [406]	22-1/2 [572]	20X20	180	4		
LEM 48H/60H	24-1/2 [622]	57 [1448]	22-1/2 [572]	10-1/2 [267]	14 [356]	18 [457]	22-1/2 [572]	20X20	180	4		
LEM 48I/60I	24-1/2 [622]	57 [1448]	22-1/2 [572]	10-1/2 [267]	16 [406]	20 [508]	22-1/2 [572]	20X20	180	4		
LEM 48J/60J	24-1/2 [622]	57 [1448]	22-1/2 [572]	10-1/2 [267]	18 [457]	22 [559]	22-1/2 [572]	20X20	180	4		

In keeping with its commitment to continuous improvement, Aspen Manufacturing reserves the right to make changes without notice and incurring obligation. To stay up-to-date with this product and Aspen's trusted line of coils, air handlers, and more, go to our website. LEM-Spec-2025-03

**FIGURE 1**



In keeping with its commitment to continuous improvement, Aspen Manufacturing reserves the right to make changes without notice and incurring obligation. To stay up-to-date with this product and Aspen's trusted line of coils, air handlers, and more, go to our website. LEM-Spec-2025-03



# LGM SERIES

## HIGH-EFFICIENCY MULTI-POSITION, ALUMINUM COIL AIR HANDLER

### FEATURES, BENEFITS, DIMENSIONS, & SPECIFICATIONS



Unit shown with service panels removed. Representative drawing only. Some models may vary in appearance. Due to continuous product improvement, specifications are subject to change without notice.

#### APPLICATION VERSATILITY

Upflow or horizontal right as shipped (field convertible for down-flow or horizontal left applications). Can be AHRI certified with most brands of air conditioners or heat pumps.

- ETL listed for use with R-22, R-410A, R-454B, and R-32 when a proper metering device is used.
- In accordance to UL 60335 Refrigerant Detection Systems are factory-installed on A2L refrigerant ready air handlers.

#### LOW LEAKAGE CABINET

Less than 2% air leakage from cabinet when tested in accordance with ASHRAE standard 193. Unit must be installed according to installation instructions. Sturdy, fully insulated galvanized steel cabinet with knockout for duct return.

#### AIR MOVING SYSTEM

Constant torque ECM speeds and torques are controlled by software embedded in the motor to maintain constant torque. Motors are pre-programmed with speeds and torques at the factory for optimal performance and reliability. Direct drive blowers circulate air quietly and efficiently. Rail mounted blowers provide easy removal for service and maintenance.

#### ELECTRONIC CONTROL BOARD

An electronic board controls the functioning of the system, reducing moving parts. The board provides a blower time delay to maximize heat/cool extraction and offers an integrated fuse for additional protection.

#### ALL ALUMINUM COIL

High efficiency rifled aluminum tubes and enhanced aluminum fins provide maximum heat transfer. All coils factory leak tested with two-stage pressure decay and mass spectrometer process, then Nitrogen pressurized, and factory-sealed for maximum reliability. Available with either factory-installed orifice or TXV metering device. Field-installable bolt-on TXVs are also available. Access door allows for easy coil cleaning.

**WARRANTY** 5-Year

**OPTIONS** See Options menu.



#### WANT MORE INFORMATION ON ASPEN'S LGM SERIES AIR HANDLERS?

SCAN QR CODE TO VISIT THIS PRODUCT ON OUR WEBSITE



*For complete warranty details, please visit our Warranty Information tab when you visit Aspen's website.  
To view this coil's product information online for the most up-to-date information scan the QR Code.*

In keeping with its commitment to continuous improvement, Aspen Manufacturing reserves the right to make changes without notice and incurring obligation. To stay up-to-date with this product and Aspen's trusted line of coils, air handlers, and more, go to our website. LGM-Spec-2025-03

## COOLING PERFORMANCE AND ELECTRICAL DATA

MODEL	PERFORMANCE DATA			ELECTRICAL DATA (120V)		
	NOM. COOLING CAPACITY	MOTOR (HP)	FLA (A)	MIN. CIRCUIT AMPACITY (MCA)	MAX. BREAKER OR FUSE SIZE	
LGM24A-E	18000 - 24000	1/3	4.8	6.0	15	
LGM36L	24000 - 36000					
LGM24F-M LGM36A-E LGM36K,M	24000 - 36000	1/2	6.8	8.5		
LGM48K LGM48L	36000 - 48000					
LGM36F-J LGM48A-E LGM60A-E LGM60K-M	36000 - 60000	1	11.5	14.4		30
LGM48F-J LGM60F-J	48000 - 60000					

## AIR HANDLER CHASSIS NOMENCLATURE

LGM	24	D	G	000
120V CONSTANT TORQUE ECM MULTI-POSITION AIR HANDLER	24,36,48,60 <b>NOMINAL TONNAGE</b> (MBTUH)	A,B,C,D,E = <b>COIL SIZE</b> (SLAB HEIGHT, DEPTH, ROWS)	<b>A1 METERING DEVICE</b> <b>4</b> = R410A (TXV NON-BLEED A/C or H/P) <b>6</b> = R410A (TXV 20% BLEED A/C or H/P) <b>B</b> = R22 (TXV 20% BLEED A/C or H/P) <b>X</b> = R22 (TXV NON-BLEED A/C or H/P) <b>F</b> = R22 (PISTON) <b>G</b> = R410A (PISTON)	OPTION CODE
			<b>A2L METERING DEVICE</b> <b>J</b> = R454B (TXV NON-BLEED A/C or H/P) <b>K</b> = R454B (TXV 20% BLEED A/C or H/P) <b>D</b> = R32 (TXV NON-BLEED A/C or H/P) <b>M</b> = R32 (PISTON) <b>N</b> = R454B (PISTON)	

## BLOWER DATA

MODEL	SPEED TAP	MOTOR			CFM VS EXTERNAL STATIC									
		HP	AMPS	VOLT.	0.1	0.2	0.3	0.4	0.5	0.6	0.7	0.8	0.9	1.0
LGM24A-E	TAP 5	1/3	4.8	120V	1030	1000	975	945	910	880	865	830	795	750
	TAP 4				975	945	910	880	865	830	795	775	715	700
	TAP 3				845	810	780	755	725	705	665	635	600	550
	TAP 2				775	745	725	700	665	645	610	575	525	465
	TAP 1				645	620	590	565	550	510	480	420	370	330
LGM36L	TAP 5				1250	1225	1200	1175	1150	1125	1050	960	-	-
	TAP 4				1160	1140	1115	1090	1075	1030	1000	975	900	-
	TAP 3				925	900	865	845	810	775	745	710	695	650
	TAP 2				810	770	740	710	680	655	620	590	550	510
	TAP 1				650	640	610	575	540	510	475	420	380	345

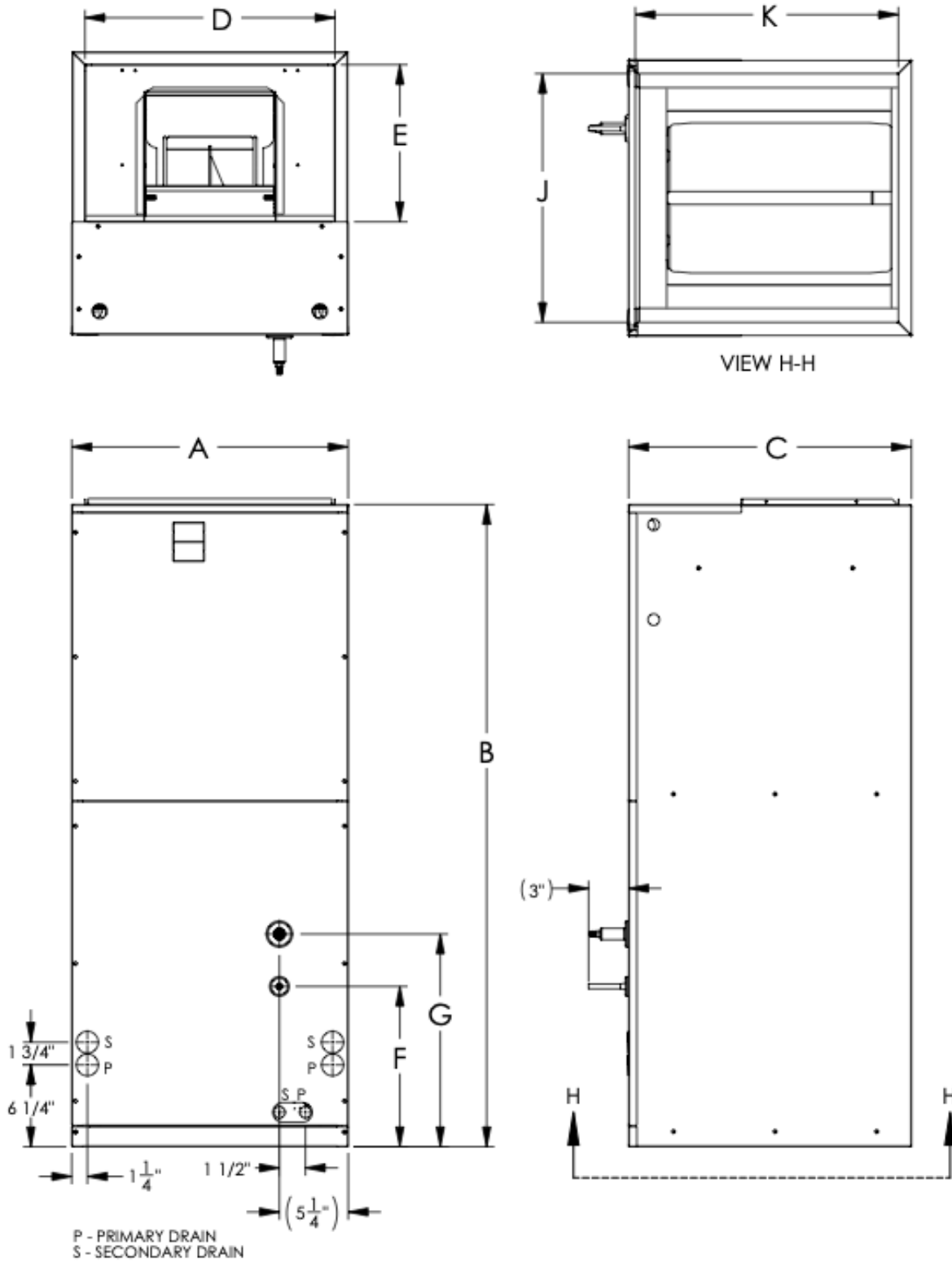
BLOWER DATA - Continued														
MODEL	SPEED TAP	MOTOR			CFM VS EXTERNAL STATIC									
		HP	AMPS	VOLT.	0.1	0.2	0.3	0.4	0.5	0.6	0.7	0.8	0.9	1.0
LGM24F-M LGM36A-E LGM36K,M LGM48K	TAP 5	1/2	6.8	120V	1320	1300	1285	1265	1225	1200	1165	1130	1100	1070
	TAP 4				1150	1130	1115	1090	1060	1020	975	945	880	810
	TAP 3				930	910	875	845	800	765	675	625	590	540
	TAP 2				825	790	755	720	675	600	550	510	485	440
	TAP 1				745	725	675	645	565	525	480	445	400	350
LGM48L	TAP 5				1375	1340	1315	1300	1255	1200	1150	1120	1090	1050
	TAP 4				1175	1150	1125	1075	1075	1045	990	960	900	845
	TAP 3				915	900	880	850	800	765	705	665	620	590
	TAP 2				850	830	780	730	675	635	585	550	510	450
	TAP 1				725	705	675	620	565	530	485	460	415	380
LGM36F-J LGM48A-E LGM60A-E	TAP 5	1	11.5	120V	1690	1650	1630	1610	1600	1590	1570	1550	1515	1500
	TAP 4				1580	1460	1435	1420	1400	1370	1350	1325	1275	1250
	TAP 3				1300	1275	1260	1240	1200	1165	1130	1100	1075	1050
	TAP 2				1175	1160	1130	1090	1050	1000	960	930	900	860
	TAP 1				1020	975	945	900	850	810	775	715	695	650
LGM60C	TAP 5				1750	1730	1695	1655	1630	1570	1520	1475	1450	1415
	TAP 4				1560	1520	1475	1435	1435	1375	1350	1325	1275	1250
	TAP 3				1350	1300	1275	1225	1200	1175	1125	1100	1060	1030
	TAP 2				1175	1140	1100	1075	1050	1000	975	928	895	790
	TAP 1				990	940	910	880	850	790	775	675	620	600
LGM60K-M	TAP 5	2080	2050	2025	2000	1965	1935	1910	1880	1845	1825			
	TAP 4	1990	1965	1940	1910	1885	1855	1825	1790	1760	1725			
	TAP 3	1855	1830	1795	1775	1745	1710	1680	1645	1615	1580			
	TAP 2	1575	1540	1510	1475	1435	1400	1360	1320	1280	1240			
	TAP 1	1380	1345	1305	1265	1225	1175	1135	1085	1040	990			
LGM48F-J LGM60F-J	TAP 5	2130	2090	2050	2005	1965	1920	1875	1855	1830	1780			
	TAP 4	1990	1950	1910	1860	1815	1775	1745	1710	1675	1635			
	TAP 3	1815	1760	1725	1675	1615	1600	1560	1520	1475	1415			
	TAP 2	1635	1595	1560	1500	1435	1415	1370	1300	1200	1125			
	TAP 1	1480	1435	1370	1325	1275	1230	1150	1040	980	925			

LGM DIMENSIONS (In.) - FIGURE 1												
Model	A	B	C	D	E	F	G	J	K	FILTER	WEIGHT	SKID QTY
LGM24A	14-1/2 [368]	40 [1016]	21-1/2 [546]	12-1/2 [318]	12 [304]	5 [127]	9 [229]	12-1/2 [218]	20 [508]	12X20	92	6
LGM24B	14-1/2 [368]	40 [1016]		12-1/2 [318]	12 [304]	9 [229]	5 [127]	12-1/2 [218]		12X20	92	6
LGM24C	14-1/2 [368]	40 [1016]		12-1/2 [318]	12 [304]	4 [102]	7 [178]	12-1/2 [218]		12X20	92	6
LGM24D	14-1/2 [368]	40 [1016]		12-1/2 [318]	12 [304]	5 [127]	9 [229]	12-1/2 [218]		12X20	92	6

**LGM DIMENSIONS (In.) - FIGURE 1 - CONTINUED**

Model	A	B	C	D	E	F	G	J	K	FILTER	WEIGHT	SKID QTY
LGM24E	14-1/2 [368]	40 [1016]	21-1/2 [546]	12-1/2 [318]	12 [304]	4 [102]	7 [178]	12-1/2 [218]	20 [508]	12X20	92	6
LGM36L	14-1/2 [368]	40 [1016]		12-1/2 [318]	12 [304]	5 [127]	9 [229]	12-1/2 [218]		12X20	92	6
LGM 24F/36A	17-1/2 [445]	46 [1168]		15-1/2 [394]	12 [304]	10 [254]	13 [330]	15-1/2 [394]		14X20	115	4
LGM 24G/36B/48K	17-1/2 [445]	46 [1168]		15-1/2 [394]	12 [304]	4 [102]	7 [178]	15-1/2 [394]		14X20	115	4
LGM 24H/36C	17-1/2 [445]	46 [1168]		15-1/2 [394]	12 [304]	5 [127]	9 [229]	15-1/2 [394]		14X20	115	4
LGM 24I/36D	17-1/2 [445]	46 [1168]		15-1/2 [394]	12 [304]	8 [203]	11 [279]	15-1/2 [394]		14X20	115	4
LGM 24J/36E	17-1/2 [445]	46 [1168]		15-1/2 [394]	12 [304]	10 [254]	13 [330]	15-1/2 [394]		14X20	115	4
LGM24K	17-1/2 [445]	46 [1168]		15-1/2 [394]	12 [304]	6-1/2 [165]	10 [254]	15-1/2 [394]		14X20	115	4
LGM48L	17-1/2 [445]	46 [1168]		15-1/2 [394]	12 [304]	10 [254]	13 [330]	15-1/2 [394]		14X20	115	4
LGM 36F/48A	21 [533]	49 [1245]		19 [483]	12 [304]	9 [229]	12 [305]	19 [483]		16X20	151	4
LGM 36G/48B	21 [533]	49 [1245]		19 [483]	12 [304]	7 [178]	10 [254]	19 [483]		16X20	151	4
LGM 36H/48C	21 [533]	49 [1245]		19 [483]	12 [304]	9 [229]	12 [305]	19 [483]		16X20	151	4
LGM 36I/48D	21 [533]	49 [1245]		19 [483]	12 [304]	10 [254]	14 [356]	19 [483]		16X20	151	4
LGM 36J/48E	21 [533]	49 [1245]		19 [483]	12 [304]	12 [305]	16 [406]	19 [483]		16X20	151	4
LGM60A	21 [533]	57 [1448]		19 [483]	12 [304]	18 [457]	22 [559]	19 [483]		16X20	173	4
LGM60B	21 [533]	57 [1448]		19 [483]	12 [304]	12 [305]	16 [406]	19 [483]		16X20	173	4
LGM60C	21 [533]	57 [1448]		19 [483]	12 [304]	14 [356]	18 [457]	19 [483]		16X20	173	4
LGM60D	21 [533]	57 [1448]		19 [483]	12 [304]	16 [406]	20 [508]	19 [483]		16X20	173	4
LGM60E	21 [533]	57 [1448]	19 [483]	12 [304]	18 [457]	22 [559]	19 [483]	16X20	173	4		
LGM60K	21 [533]	57 [1448]	19 [483]	12 [304]	12 [305]	16 [406]	19 [483]	16X20	173	4		
LGM60L	21 [533]	57 [1448]	19 [483]	12 [304]	14 [356]	18 [457]	19 [483]	16X20	173	4		
LGM60M	21 [533]	57 [1448]	19 [483]	12 [304]	16 [406]	20 [508]	19 [483]	16X20	173	4		
LGM 48F/60F	24-1/2 [622]	57 [1448]	22-1/2 [572]	10-1/2 [267]	18 [457]	22 [559]	22-1/2 [572]	20X20	180	4		
LGM 48G/60G	24-1/2 [622]	57 [1448]	22-1/2 [572]	10-1/2 [267]	12 [305]	16 [406]	22-1/2 [572]	20X20	180	4		
LGM4 8H/60H	24-1/2 [622]	57 [1448]	22-1/2 [572]	10-1/2 [267]	14 [356]	18 [457]	22-1/2 [572]	20X20	180	4		
LGM 48I/60I	24-1/2 [622]	57 [1448]	22-1/2 [572]	10-1/2 [267]	16 [406]	20 [508]	22-1/2 [572]	20X20	180	4		
LGM 48J/60J	24-1/2 [622]	57 [1448]	22-1/2 [572]	10-1/2 [267]	18 [457]	22 [559]	22-1/2 [572]	20X20	180	4		

**FIGURE 1**



In keeping with its commitment to continuous improvement, Aspen Manufacturing reserves the right to make changes without notice and incurring obligation. To stay up-to-date with this product and Aspen's trusted line of coils, air handlers, and more, go to our website.

LGM-Spec-2025-03

# AAM SERIES

## HIGH EFFICIENCY MULTI-POSITION HYDRONIC HEAT AIR HANDLERS

### FEATURES, BENEFITS, DIMENSIONS, & SPECIFICATIONS



Unit shown with service panels removed. Representative drawing only. Some models may vary in appearance. Due to continuous product improvement, specifications are subject to change without notice.

#### APPLICATION VERSATILITY

Upflow or horizontal right as shipped (field-convertible for down-flow or horizontal left applications). Can be AHRI matched with most brands of air conditioners or heat pumps.

- ETL listed for use with R-22, R-410A, R-454B, and R-32 when a proper metering device is used.
- In accordance to UL 60335 Refrigerant Detection Systems are factory-installed on A2L refrigerant ready air handlers.

#### LOW LEAKAGE CABINET

Less than 2% air leakage from cabinet when tested in accordance with ASHRAE standard 193. Unit must be installed according to Aspen installation instructions. Sturdy, fully insulated galvanized steel cabinet; stick pins ensure 1/2" insulation remains in place. Unit ships with disposable filter.

#### ELECTRONIC CONTROL BOARD

Electronic circuit board provides 30 secs ON/OFF blower time delay extracting more heat/cool from the coil. Automotive-style pull fuse protection on the circuit board to provide low voltage and transformer protection.

#### BLOWER

Direct drive multi-speed blowers circulate air quietly and efficiently. Motor speeds can be easily selected via motor terminals. Swing mounted blowers can be easily removed for service.

#### DX COIL

All coils immersion tested at 500 psi then Nitrogen pressurized and factory sealed for maximum reliability. Liquid-line Schrader allows pre-installation pressure testing. Available with either orifice or TXV metering device. Field-installable bolt-on TXVs are also available. Rugged GLP drain pan holds minimal condensate while eliminating the possibility of corrosion. Drain pan is UV safe. Galvanized metal drain pan with bottom primary and secondary drain connections or alternate right side primary. All connections 3/4" FPT. Access door allows for coil cleaning.

**WARRANTY** Ten-year limited parts warranty.

**OPTIONS** See options menu.



**WANT MORE INFORMATION ON ASPEN'S AAM SERIES AIR HANDLERS?**

SCAN QR CODE TO VISIT THIS PRODUCT ON OUR WEBSITE



*For complete warranty details, please visit our Warranty Information tab when you visit Aspen's website. To view this coil's product information online for the most up-to-date information scan the QR Code.*

In keeping with its commitment to continuous improvement, Aspen Manufacturing reserves the right to make changes without notice and incurring obligation. To stay up-to-date with this product and Aspen's trusted line of coils, air handlers, and more, go to our website. AAM-Spec-2025-03



# SPECIFICATIONS & PERFORMANCE:

HEATING/COOLING PERFORMANCE & ELECTRICAL DATA												
MODEL	HEAT KIT	PERFORMANCE DATA							ELECTRICAL DATA			
		MOTOR SPEED TAP REQUIRED F/ HEATER KITS	HEATING (KW)		TOT. AMPS (A)		HEATING CAPACITY (MBTUH)		MIN. CIRCUIT AMPACITY (MCA)		MAX BREAKER OR FUSE SIZE	
			208V	240V	208V	240V	208V	240V	208V	240V	208V	240V
AAM 18/19/ 24/25	E(C,T)S00P	-	0.0	0.0	1.4	1.4	0.0	0.0	1.8	1.8	15A	15A
	E(C,T)S03P	LOW	2.3	3.0	12.2	13.9	7.8	10.2	15.3	17.4	20A	20A
	E(C,T)S05P	LOW	3.6	4.8	18.7	21.4	12.3	16.4	23.4	26.8	25A	30A
	E(C,T)S06P	LOW	4.5	6.0	23.0	26.4	15.4	20.5	28.8	33.0	30A	35A
	E(C,T)S08P	HIGH	6.0	8.0	30.2	34.7	20.5	27.3	37.8	43.4	40A	45A
	E(C,T)S10P	HIGH	7.2	9.6	36.0	41.4	24.6	32.8	45.0	51.8	45A	60A
AAM 30/31/ 36/37	E(C,T)M00P	-	0.0	0.0	2.6	2.6	0.0	0.0	3.3	3.3	15A	15A
	E(C,T)M03P	HIGH	2.3	3.0	13.4	15.1	7.8	10.2	16.8	18.9	20A	20A
	E(C,T)M05P	HIGH	3.6	4.8	19.9	22.6	12.3	16.4	24.9	28.3	25A	30A
	E(C,T)M06P	HIGH	4.5	6.0	24.2	27.6	15.4	20.5	30.3	34.5	35A	35A
	E(C,T)M08P	HIGH	6.0	8.0	31.4	35.9	20.5	27.3	39.3	44.9	40A	45A
	E(C,T)M10P	HIGH	7.2	9.6	37.2	42.6	24.6	32.8	46.5	53.3	50A	60A
	E(C,T)M15P	HIGH	7.2/ 3.6	9.6/ 4.8	37.2/ 17.3	42.6/ 20.0	36.8	49.1	46.5/ 21.6	53.3/ 25.0	50A/ 25A	60A/ 25A
AAM 42/43/ 48/49 60/61/ 62	E(C,T)L00P	-	0.0	0.0	4.4	4.4	0.0	0.0	5.5	5.5	15A	15A
	E(C,T)L03P	LOW	2.3	3.0	15.2	16.9	7.8	10.2	19.0	21.1	20A	25A
	E(C,T)L05P	LOW	3.6	4.8	21.7	24.4	12.3	16.4	27.1	30.5	30A	35A
	E(C,T)L06P	LOW	4.5	6.0	26.0	29.4	15.4	20.5	32.5	36.8	35A	40A
	E(C,T)L08P	LOW	6.0	8.0	33.2	37.7	20.5	27.3	41.6	47.2	45A	50A
	E(C,T)L10P	LOW	7.2	9.6	39.0	44.4	24.6	32.8	48.8	55.5	50A	60A
	E(C,T)L15P	LOW	7.2/ 3.6	9.6/ 4.8	39.0/ 17.3	44.4/ 20.0	36.8	49.1	48.8/ 21.6	55.5/ 25	50A/ 25A	60A/ 25A
	E(C,T)L20P	LOW	7.2/ 7.2	9.6/ 9.6	39.0/ 34.6	44.4/ 40.0	49.1	65.5	48.8/ 43.3	55.5/ 50.0	50A/ 45A	60A/ 50A
	E(C,T)L25P	LOW	7.2/ 7.2/ 3.6	9.6/ 9.6/ 4.8	39.0/ 34.6/ 17.3	44.4/ 40.0/ 20.0	61.4	81.9	48.8/ 43.3/ 21.6	55.5/ 50.0/ 25.0	50A/ 45A/ 25A	60A/ 50A/ 25A

In keeping with its commitment to continuous improvement, Aspen Manufacturing reserves the right to make changes without notice and incurring obligation. To stay up-to-date with this product and Aspen's trusted line of coils, air handlers, and more, go to our website. AAM-Spec-2025-03



BLOWER DATA									
MODEL	PSC MOTOR				CFM VS EXTERNAL STATIC (Wet Coil)				
	SPEED	HP	AMPS	VOLT.	0.10	0.20	0.30	0.40	0.50
AAM 18/19/ 24/25	LOW	1/5	1.4	240V	835	800	790	750	695
	HIGH				915	880	875	825	770
AAM 30/31/ 36/37	LOW	1/3	2.6		1130	1100	1050	1000	960
	HIGH				1410	1350	1280	1200	1160
AAM 42/43/ 48/49/ 60/61/62	LOW	3/4	4.4		1520	1500	1485	1460	1440
	MID				1700	1675	1640	1620	1575
	HIGH				2060	2020	1980	1935	1885

AIR HANDLER CHASSIS NOMENCLATURE			
AAM	18	4	-001
240V PSC MOTOR MULTI-POSITION AIR HANDLER	NOMINAL TONNAGE (MBTUH)	<b>A1 METERING DEVICE</b> 4 = R410A (TXV NON-BLEED A/C or H/P) X = R22 (TXV NON-BLEED A/C or H/P) B = R22 (TXV 20% BLEED A/C or H/P) F = R22 (PISTON) G = R410A (PISTON)	OPTION CODE
		<b>A2L METERING DEVICE</b> J = R454B (TXV NON-BLEED A/C or H/P) K = R454B (TXV 20% BLEED A/C or H/P) D = R32 (TXV NON-BLEED A/C or H/P) M = R32 (PISTON) N = R454B (PISTON)	

ELECTRIC HEAT NOMENCLATURE				
E	C	S/L	03	P
ELECTRIC HEAT	<b>INTERRUPTION</b> C = CIRCUIT BREAKER T = TERMINAL BLOCK	<b>CABINET SIZE &amp; NOM. TONNAGE</b> S = 18-37 L = 42-63	<b>HEAT STRIP</b> 03 = 3 KW 05 = 5 KW 06 = 6 KW 08 = 8 KW 10 = 10 KW 15 = 15 KW 20 = 20 KW 25 = 25 KW	<b>MOTOR</b> PSC

In keeping with its commitment to continuous improvement, Aspen Manufacturing reserves the right to make changes without notice and incurring obligation. To stay up-to-date with this product and Aspen's trusted line of coils, air handlers, and more, go to our website. AAM-Spec-2025-03

**AAM DIMENSIONS (In.) - FIGURE 1**

Model	A	B	C	D	E	F	G	J	K	FILTER SIZE	PISTON SIZE	WEIGHT	SKID QTY
AAM 18+E*	24-1/2 [622]	57 [1448]	20-1/2 [521]	18-3/4 [476]	12 [305]	7-1/4 [184]	10-1/4 [260]	18-1/2 [470]	18-1/2 [470]	16X20	0.055	99	4
AAM 19/24/25+E*	21 [533]	40 [1016]		18-3/4 [476]	12 [305]	8-1/4 [209]	12-1/4 [311]	18-1/2 [470]		16X20	0.059	100	
AAM 30+E*	21 [533]	49-1/4 [1251]		18-3/4 [476]	12 [305]	8-1/4 [209]	14-1/4 [362]	18-1/2 [470]		16X20	0.068	118	
AAM 36+E*	21 [533]	49-1/4 [1251]		18-3/4 [476]	12 [305]	10-1/4 [260]	16-1/4 [412]	18-1/2 [470]		16X20	0.068	118	
AAM 31/37+E*	21 [533]	49-1/4 [1251]		18-3/4 [476]	12 [305]	10-1/4 [260]	16-1/4 [412]	18-1/2 [470]		16X20	0.074	147	
AAM 42+E*	24-1/2 [622]	57 [1448]		22-1/4 [565]	14-3/4 [375]	11 [279]	16 [406]	22 [559]		20X20	0.080	153	
AAM 48+E*	24-1/2 [622]	57 [1448]		22-1/4 [565]	14-3/4 [375]	13 [330]	18 [457]	22 [559]		20X20	0.084	180	
AAM 43/49/60/62+E*	24-1/2 [622]	57 [1448]		22-1/4 [565]	14-3/4 [375]	13 [330]	18 [457]	22 [559]		20X20	0.084	180	
AAM 61+E*	24-1/2 [622]	57 [1448]		22-1/4 [565]	14-3/4 [375]	15 [381]	20 [508]	22 [559]		20X20	0.092	200	

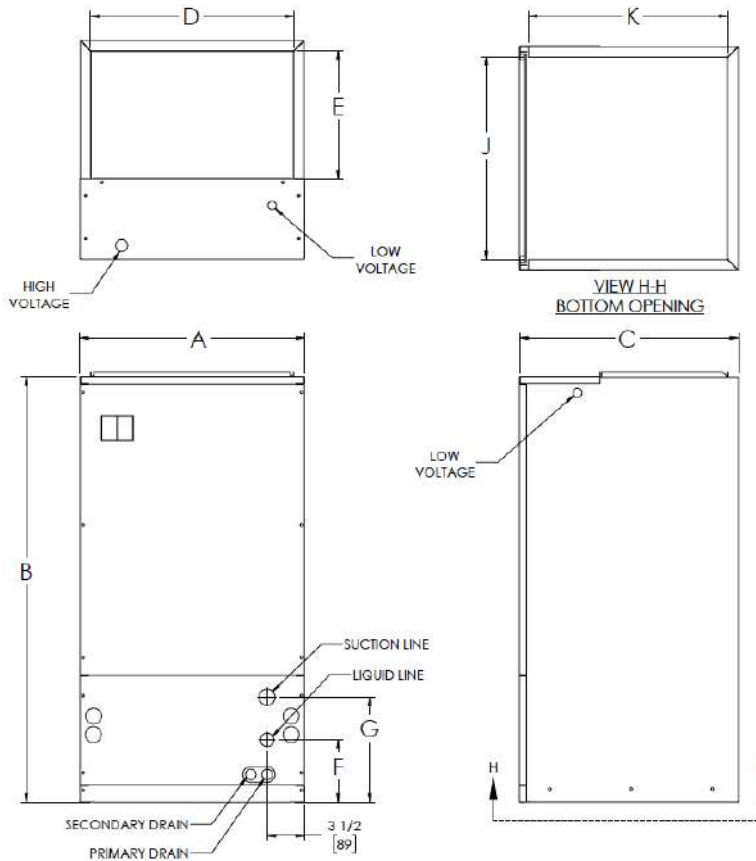
**FIGURE 1**

**SUCTION LINE:**

1.5T to 3.0T = 3/4"

3.5T to 5.0T = 7/8"

**LIQUID LINE:** 3/8"



In keeping with its commitment to continuous improvement, Aspen Manufacturing reserves the right to make changes without notice and incurring obligation. To stay up-to-date with this product and Aspen's trusted line of coils, air handlers, and more, go to our website. AAM-Spec-2025-03

# ABW SERIES

## MULTI-POSITION HYDRONIC HEAT AIR HANDLERS

### FEATURES, BENEFITS, DIMENSIONS, & SPECIFICATIONS



Unit shown with service panels removed. Representative drawing only. Some models may vary in appearance. Due to continuous product improvement, specifications are subject to change without notice.

#### APPLICATION VERSATILITY

Can be AHRI matched with most brands of air conditioners or heat pumps.

- ETL listed for use with R-22, R-410A, R-454B, and R-32 when a proper metering device is used.
- In accordance to UL 60335 Refrigerant Detection Systems are factory-installed on A2L refrigerant ready air handlers.

#### LOW LEAKAGE CABINET

Less than 2% air leakage from cabinet when tested in accordance with ASHRAE standard 193. Unit must be installed according to Aspen installation instructions. Sturdy, fully insulated galvanized steel cabinet; stick pins ensure 1/2" insulation remains in place. Unit ships with disposable filter.

#### MODULAR HYDRONIC HEAT KITS

Heat kits available with either circuit breakers or terminal blocks. Available in 2, 3 and 4 row, providing 16,000 to 59,000 BTU's of heat. Heat kits are factory-installed. Freeze stat is standard, wired into circulating pump control circuit. Controls are accessible from the front for easy service. Electrical connections can be made from the top or left. Suitable for potable applications. Disconnect does not protrude through the wall panel. Fan time delay relay standard increased efficiency. Heat kits are available with or without circulating pump and check valve. Units are provided with

auxiliary relay for remote pump. Schrader ports are standard on water-out manifold, hose bib available as an option. Totally lead free constructed coil. Suitable for potable applications.

#### BLOWER

Direct drive multi-speed blowers circulate air quietly and efficiently. Motor speeds can be easily selected via motor terminals. Swing mounted blowers can be easily removed for service.

#### DX COIL

High efficiency rifled copper tubes/enhanced aluminum fins provide maximum heat transfer. All coils immersion tested at 500 psi then Nitrogen pressurized and factory sealed for maximum reliability. Liquid-line Schrader allows pre-installation pressure testing. Available with either orifice or TXV metering device. Field-installable bolt-on TXVs are also available. Rugged GLN drain pan holds minimal condensate while eliminating the possibility of corrosion. Drain pan is UV safe. All drain connections are 3/4" FPT. Access door allows for coil cleaning.

**WARRANTY** Five-year limited parts warranty.

**OPTIONS** See options menu.



### WANT MORE INFORMATION ON ASPEN'S ABW SERIES AIR HANDLERS?

SCAN QR CODE TO VISIT THIS PRODUCT ON OUR WEBSITE



*For complete warranty details, please visit our Warranty Information tab when you visit Aspen's website. To view this coil's product information online for the most up-to-date information scan the QR Code.*

In keeping with its commitment to continuous improvement. Aspen Manufacturing reserves the right to make changes without notice and incurring obligation. To stay up-to-date with this product and Aspen's trusted line of coils, air handlers, and more, go to our website. ABW-Spec-2025-03

HEATING/COOLING PERFORMANCE & ELECTRICAL DATA									
MODEL	PERFORMANCE DATA					ELECTRICAL DATA			
	NOM. COOLING	HYDRONIC HEAT KIT MODEL	HEAT. COIL	HYDRONIC COIL Δ P.	HEATING CAPACITY (BTU) @ 3.5 GPM			MIN. CIRCUIT AMPACITY (MCA)	MAX. BREAKER OR FUSE SIZE
					ENTERING WATER TEMP.				
			ROW	FT. WATER	120°	140°	180°		
ABW 18	18,000	U(C,T)2S(P,L)	2	3	18800	26600	42300	4.1	15
		U(C,T)3S(P,L)	3	1.8	21600	30400	48500	4.1	
ABW 24	24,000	U(C,T)2S(P,L)	2	3	21000	30100	48000	4.1	
		U(C,T)3S(P,L)	3	1.8	24700	34800	55600	4.1	
ABW 30	30,000	U(C,T)2S(P,L)	2	3	23200	32800	52500	7.9	
		U(C,T)3S(P,L)	3	1.8	27000	38200	61100	7.9	
		U(C,T)4S(P,L)	4	1.1	28300	40100	64000	7.9	
ABW 36	36,000	U(C,T)2S(P,L)	2	3	24700	35000	56000	7.9	
		U(C,T)3S(P,L)	3	1.8	29900	41000	65500	7.9	
		U(C,T)4S(P,L)	4	1.1	30400	43000	68800	7.9	

BLOWER DATA									
MODEL	MOTOR				CFM VS. EXTERNAL STATIC (DRY COIL)				
	SPEED	HP	AMPS	VOLT.	0.10	0.20	0.30	0.40	0.50
ABW 18/24	LOW	1/5	2.8	120	772	736	690	633	574
	HIGH	1/5	2.8		829	784	732	663	600
ABW 23	LOW	1/3	5.8		850	825	815	795	765
	MED	1/3	5.8		1085	1045	1000	950	885
	HIGH	1/3	5.8		1220	1170	1100	1030	965

AIR HANDLER CHASSIS NOMENCLATURE			
ABW	18	F	-001
120V PSC MOTOR VERTICAL WALL MOUNT	NOM. TONNAGE (MBTUH)	<b>A1 METERING DEVICE</b> <b>4</b> = Non-bleed A/C or H/P R410 TXV <b>G</b> = R410 Flo-rater <b>B</b> = 20% bleed A/C or H/P R22 TXV <b>F</b> = R-22 Flo-rater	OPTION CODE
		<b>A2L METERING DEVICE</b> <b>D</b> = Non-bleed A/C or H/P R32 TXV <b>M</b> = R32 piston <b>J</b> = Non-bleed A/C or H/P R454B TXV <b>N</b> = R454B piston <b>K</b> = 20% bleed A/C or H/P R454B TXV	

HYDRONIC HEAT NOMENCLATURE				
U	C	2	S	P
WALL MOUNT HYDRONIC HEAT	<b>INTERRUPTION</b> <b>C</b> = CIRCUIT BREAKER <b>T</b> = TERMINAL BLOCK	<b>ROWS</b>	<b>CABINET SIZE &amp; NOM. TON.</b> <b>S</b> = 18-36	<b>PUMP</b> <b>L</b> = No Pump <b>P</b> = Taco 006 pump (factory installed) <b>8</b> = Taco 008 pump high head (factory installed) <b>R</b> = Taco 009 pump high head (to be mounted external to all units except for multi-position units)
		2 3 4		

In keeping with its commitment to continuous improvement, Aspen Manufacturing reserves the right to make changes without notice and incurring obligation. To stay up-to-date with this product and Aspen's trusted line of coils, air handlers, and more, go to our website. ABW-Spec-2025-03

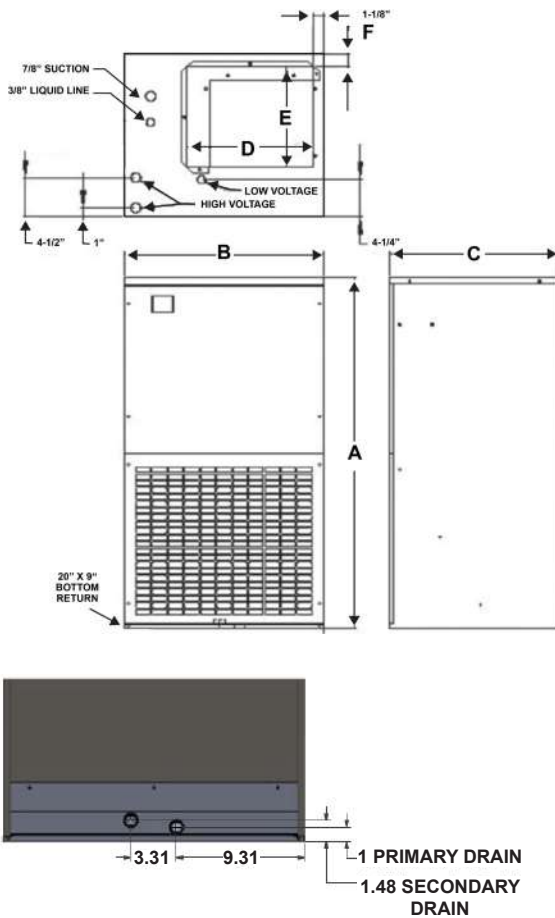
## ABW DIMENSIONS & SHIPPING SPECIFICATIONS (In.) - FIGURE 1

Model	HEIGHT A	WIDTH B	WIDTH C	OPENING SIZE		FILTER SIZE	PISTON SIZE	WEIGHT	SKID QTY
				LENGTH D	WIDTH E				
ABW18*	44-1/2 [113]	22 [56]	18-3/4 [48]	17-5/8 [45]	10-1/2 [27]	20X20	0.055	110	4
ABW24*							0.059		
ABW30*							0.068	118	
ABW36*							0.074		

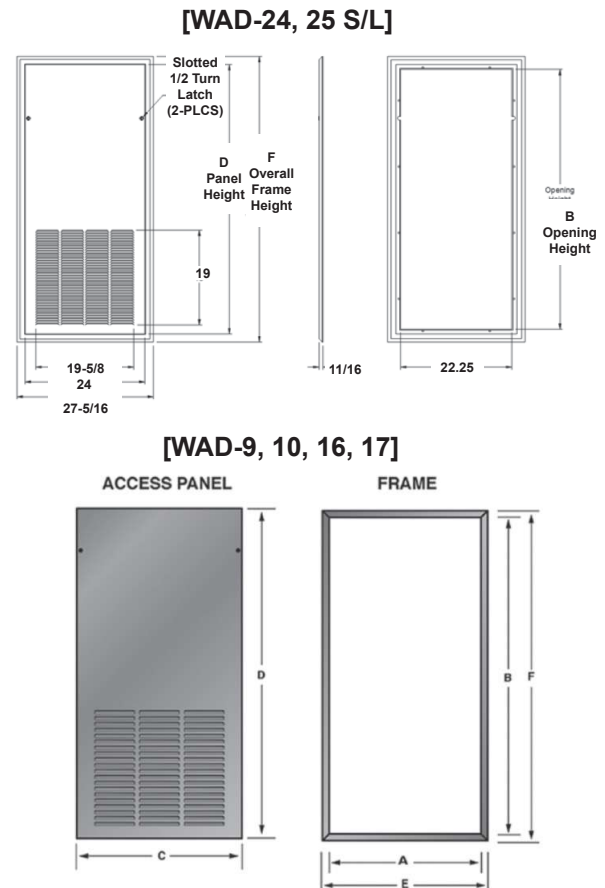
## ABW DIMENSIONS (In.) - FIGURE 2

PANEL MODEL	FOR USE WITH	FINISH	OPENING SIZE		PANEL SIZE		FRAME SIZE		# OF PANELS
			A	B	C	D	E	F	
WAD-16(S/L)	ABW	Smooth	22-1/4	52	24-1/4	54	24-1/8	53-7/8	1
WAD-17(S/L)		Smooth	22-1/4	46	24-1/4	48	24-1/8	47-7/8	
WAD-24(S/L)		Smooth	22-1/4	52	24	54	27-1/3	51-1/4	
WAD-25(S/L)		Smooth	22-1/4	46	24	48	27-1/3	51-1/4	

**FIGURE 1**



**FIGURE 2**



Note: Code may require installer to use conduit

In keeping with its commitment to continuous improvement, Aspen Manufacturing reserves the right to make changes without notice and incurring obligation. To stay up-to-date with this product and Aspen's trusted line of coils, air handlers, and more, go to our website. ABW-Spec-2025-03



# AFW SERIES

## HIGH-EFFICIENCY WALL MOUNT HYDRONIC HEAT AIR HANDLER

### FEATURES, BENEFITS, DIMENSIONS, & SPECIFICATIONS



Unit shown with service panels removed. Representative drawing only. Some models may vary in appearance. Due to continuous product improvement, specifications are subject to change without notice.

top or left. Disconnect does not protrude through the wall panel. Fan time delay relay standard for increased efficiency. Heat kits are available with or without circulating pump and check valve. Units are provided with auxiliary relay for remote pump. Schrader ports are standard on water-out manifold, hose bib available as an option. Totally lead free constructed coil. Suitable for potable applications.

#### BLOWER

Direct drive multi-speed blowers circulate air quietly and efficiently. Motor speeds can be easily selected via motor terminals. Swing mounted blowers can be easily removed for service.

#### ELECTRONIC CONTROL BOARD

An electronic board controls the functioning of the system reducing moving parts. The board provides for various hot water supply source connections and the blower time delay to maximize heat/cool extraction. As an enhanced feature the pump circulates hot water every 6 hours to prevent water stagnation.

#### DX COIL

High efficiency rifled copper tubes/enhanced aluminum fins provide maximum heat transfer. All coils immersion tested at 500 psi then Nitrogen pressurized and factory sealed for maximum reliability. Liquid-line Schrader allows pre-installation pressure testing. Available with either check style flowrater or TXV metering device. Field-installable TXVs are also available. Galvanized metal drain pan with bottom primary and secondary drain connections or alternate right side primary. All connections 3/4" FPT. Access door allows for coil cleaning.

**WARRANTY** Five-year limited parts warranty.

**OPTIONS** See options menu.



**WANT MORE INFORMATION ON ASPEN'S  
AFW SERIES AIR HANDLERS?**

SCAN QR CODE TO VISIT THIS PRODUCT ON OUR WEBSITE



*For complete warranty details, please visit our Warranty Information tab when you visit Aspen's website.  
To view this coil's product information online for the most up-to-date information scan the QR Code.*

In keeping with its commitment to continuous improvement, Aspen Manufacturing reserves the right to make changes without notice and incurring obligation. To stay up-to-date with this product and Aspen's trusted line of coils, air handlers, and more, go to our website. AFW-Spec-2025-03





HEATING/COOLING PERFORMANCE & ELECTRICAL DATA									
MODEL	PERFORMANCE DATA							ELECTRICAL DATA	
	HYDRONIC HEAT KIT MODEL	NOM. COOL. (BTUS)	HEATING COIL	HYDRONIC COIL Δ P.	HEATING CAPACITY (BTU) @ 3.5 GPM			MIN. CIRCUIT AMPACITY (MCA)	MAX. BREAKER OR FUSE SIZE
			ROW	FT. WATER	ENTERING WATER TEMP.				
					120°	140°	180°		
AFW 18	U(C,T)2S(P,L)	18,000	2	3	18,800	26,600	42,300	6.6	15
	U(C,T)3S(P,L)		3	1.8	21,600	30,400	48,500		
AFW 24	U(C,T)2S(P,L)	24,000	2	3	21,000	30,100	48,000		
	U(C,T)3S(P,L)		3	1.8	24,700	34,800	55,600		
AFW 30	U(C,T)2S(P,L)	30,000	2	3	23,200	32,800	52,500		
	U(C,T)3S(P,L)		3	1.8	27,000	38,200	61,100		
	U(C,T)4S(P,L)		4	1.1	28,300	40,100	64,000		
AFW 36	U(C,T)2S(P,L)	36,000	2	3	24,700	35,000	56,000		
	U(C,T)3S(P,L)		3	1.8	29,900	41,000	65,500		
	U(C,T)4S(P,L)		4	1.1	30,400	43,000	68,800		

BLOWER DATA									
MODEL	SPEED TAP	MOTOR			CFM V EXTERNAL STATIC (DRY COIL)				
		HP	AMPS	VOLT.	0.1	0.2	0.3	0.4	0.5
AFW 18/24	TAP 5	1/3	4.8	120V	900	851	800	742	682
	TAP 4				652	630	591	556	530
	TAP 3				500	476	452	421	400
	TAP 2				400	381	360	339	312
	TAP 1				900	851	800	742	682
AFW 30/36	TAP 5	1/2	6.8		1150	1087	1030	975	910
	TAP 4				1080	1048	1010	960	895
	TAP 3				900	862	825	796	745
	TAP 2				700	663	632	600	552
	TAP 1				500	473	449	421	395

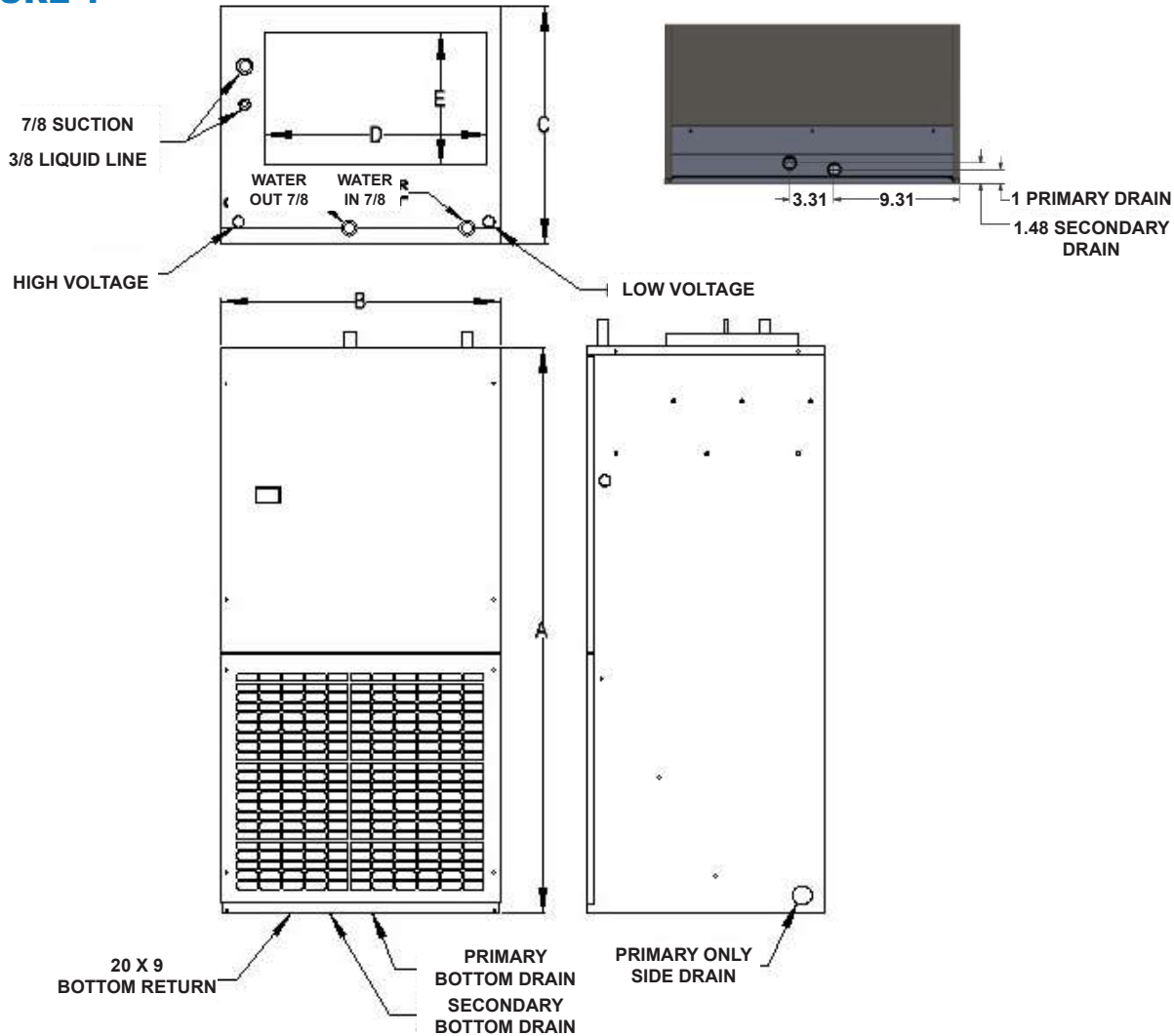
AIR HANDLER CHASSIS NOMENCLATURE			
AFW	18	G	-000
115V X13 MOTOR VERTICAL WALL MOUNT	NOMINAL TONNAGE (MBTUH)	<b>A1 METERING DEVICE</b> 4 = R410A (TXV NON-BLEED A/C or H/P) X = R22 (TXV NON-BLEED A/C or H/P) B = R22 (TXV 20% BLEED A/C or H/P) F = R22 (PISTON) G = R410A (PISTON)	OPTION CODE
		<b>A2L METERING DEVICE</b> J = R454B (TXV NON-BLEED A/C or H/P) K = R454B (TXV 20% BLEED A/C or H/P) D = R32 (TXV NON-BLEED A/C or H/P) M = R32 (PISTON) N = R454B (PISTON)	

In keeping with its commitment to continuous improvement, Aspen Manufacturing reserves the right to make changes without notice and incurring obligation. To stay up-to-date with this product and Aspen's trusted line of coils, air handlers, and more, go to our website. AFW-Spec-2025-03

HYDRONIC HEAT KIT NOMENCLATURE				
U	C	2	S	P
WALL MOUNT HYDRONIC HEAT	<b>INTERRUPTION</b> C = CIRCUIT BREAKER T = TERMINAL BLOCK	<b># OF ROWS</b> 2 = 2 ROWS 3 = 3 ROWS 4 = 4 ROWS	<b>CABINET SIZE &amp; NOM. TON.</b> S = 18 - 36	<b>PUMP</b> L = No Pump P = Taco 006 pump (factory installed) 8 = Taco 008 pump high head (factory installed) R = Taco 009 pump high head (to be mounted external to all units except for multi-position units)

AFW DIMENSIONS AND SPECIFICATIONS (In.) - FIGURE 1								
Model	A	B	C	D	E	FILTER SIZE	SHIP. WEIGHT	SKID QTY
AFW18*	44-1/2 [113]	22 [56]	18-3/4 [48]	17-5/8 [45]	10-1/2 [27]	20X20	110	4
AFW24*							118	
AFW30*								
AFW36*								

**FIGURE 1**



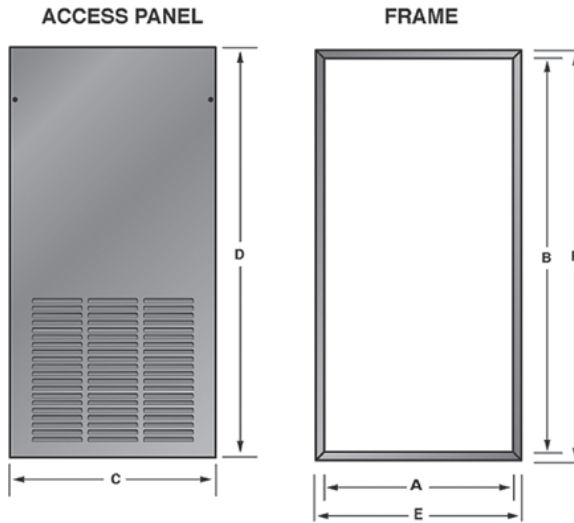
In keeping with its commitment to continuous improvement, Aspen Manufacturing reserves the right to make changes without notice and incurring obligation. To stay up-to-date with this product and Aspen's trusted line of coils, air handlers, and more, go to our website. AFW-Spec-2025-03



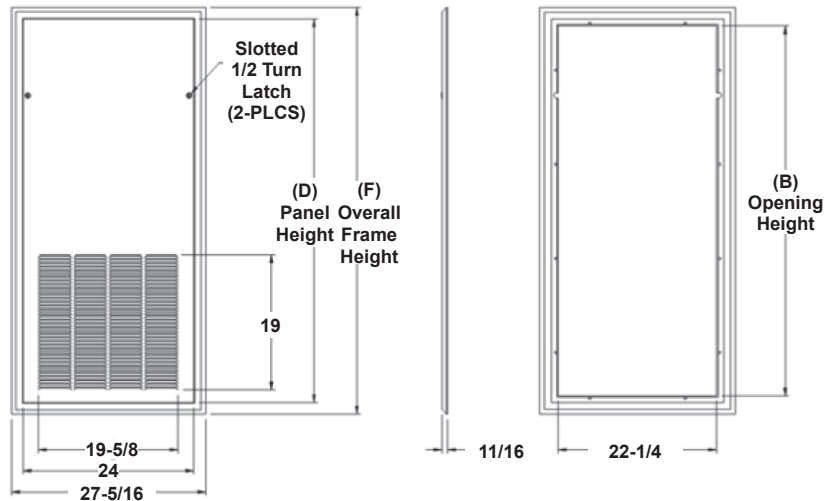
AFW DIMENSIONS AND SPECIFICATIONS (In. [mm] - Figure 2)									
PANEL MODEL	FOR USE WITH	FINISH	OPENING SIZE		PANEL SIZE		FRAME SIZE		# OF PANELS
			A	B	C	D	E	F	
WAD-16(S/L)	AFW	Smooth	22-1/4	52	24-1/4	54	24-1/8	53-7/8	1
WAD-17(S/L)		Smooth	22-1/4	46	24-1/4	48	24-1/8	47-7/8	
WAD-24(S/L)		Smooth	22-1/4	52	24	54	27-1/3	51-1/4	
WAD-25(S/L)		Smooth	22-1/4	46	24	48	27-1/3	51-1/4	

**FIGURE 2**

**WAD-9,10,16,17**



**WAD-24, 25 S/L**



In keeping with its commitment to continuous improvement, Aspen Manufacturing reserves the right to make changes without notice and incurring obligation. To stay up-to-date with this product and Aspen's trusted line of coils, air handlers, and more, go to our website. AFW-Spec-2025-03

# ABM SERIES

## MULTI-POSITION HYDRONIC HEAT AIR HANDLERS

### FEATURES, BENEFITS, DIMENSIONS, & SPECIFICATIONS



Unit shown with service panels removed. Representative drawing only. Some models may vary in appearance. Due to continuous product improvement, specifications are subject to change without notice.

#### APPLICATION VERSATILITY

Upflow or horizontal right as shipped (field-convertible for downflow or horizontal left applications). Can be AHRI matched with most brands of air conditioners or heat pumps.

- ETL listed for use with R-22, R-410A, R-454B, and R-32 when a proper metering device is used.
- In accordance to UL 60335 Refrigerant Detection Systems are factory-installed on A2L refrigerant ready air handlers.

#### LOW LEAKAGE CABINET

Less than 2% air leakage from cabinet when tested in accordance with ASHRAE standard 193. Unit must be installed according to Aspen installation instructions. Sturdy, fully insulated galvanized steel cabinet with knockout for duct return. Unit ships with disposable filter.

#### MODULAR HEAT KITS

Heat kits available with either circuit breakers or terminal blocks. Available in 2, 3 and 4 row, providing 16,000 to 59,000 BTU's of heat. Heat kits are factory-installed. Freeze stat is standard, wired into circulating pump control circuit. Controls are accessible from the front for easy service. Electrical connections can be made from the top or left. constructed coil. Suitable for potable applications. Disconnect does not protrude through the wall panel. Fan time delay relay standard increased efficiency. Heat kits are available with or without circulating pump and check valve. Units

are provided with auxiliary relay for remote pump. Schrader ports are standard on water-out manifold, hose bib available as an option. Totally lead free constructed coil. Suitable for potable applications.

#### ELECTRONIC CONTROL BOARD

An electronic board controls the functioning of the system reducing moving parts. The board provides for various hot water supply source connections and the blower time delay to maximize heat/cool extraction. As an enhanced feature the pump circulates hot water every 6 hours to prevent water stagnation.

#### DX COIL

High efficiency rifled copper tubes/enhanced aluminum fins provide maximum heat transfer. All coils immersion tested at 500 psi then Nitrogen pressurized and factory sealed for maximum reliability. Liquid-line Schrader allows pre-installation pressure testing. Available with either orifice or TXV metering device. Field-installable bolt-on TXVs are also available. Rugged GLN drain pan holds minimal condensate while eliminating the possibility of corrosion. Drain pan is UV safe. All drain connections are 3/4" FPT. Access door allows for coil cleaning.

**WARRANTY** Five-year limited parts warranty.

**OPTIONS** See options menu.



**WANT MORE INFORMATION ON ASPEN'S  
ABM SERIES AIR HANDLERS?**

SCAN QR CODE TO VISIT THIS PRODUCT ON OUR WEBSITE



*For complete warranty details, please visit our Warranty Information tab when you visit Aspen's website.  
To view this coil's product information online for the most up-to-date information scan the QR Code.*

In keeping with its commitment to continuous improvement. Aspen Manufacturing reserves the right to make changes without notice and incurring obligation. To stay up-to-date with this product and Aspen's trusted line of coils, air handlers, and more, go to our website. ABM-Spec-2025-03



HEATING/COOLING PERFORMANCE & ELECTRICAL DATA														
MODEL	PERFORMANCE DATA							ELECTRICAL DATA						
	NOM. COOL.	HYDRONIC HEAT KIT MODEL	# OF ROWS	COIL P.D.	HEATING CAPACITY BTU/HR STANDARD PUMP @ 3.5 GPM NOM. AIRFLOW				MIN. CIRCUIT AMPACITY (MCA)	MAX. BREAKER OR FUSE SIZE				
					3.5 GPM	ENTERING WATER TEMP.								
				120°		140°	160°	180°						
ABM 18/19	18,000	W*2SP	2	2.7	17770	24900	32250	39600	4.1	15				
		W*3SP	3	2.1	21600	30500	39450	48400						
ABM 23	24,000	W*2SP	2	2.7	20200	28500	36950	45400						
		W*3SP	3	2.1	25000	35300	45800	56300						
ABM 24/25	24,000	W*2SP	2	2.7	20200	28500	36950	45400						
		W*3SP	3	2.1	25000	35300	45800	56300						
ABM 30/31	30,000	W*2SP	2	2.5	22100	31300	40645	49990			7.9	15		
		W*3SP	3	1.9	27700	39100	50750	62400						
		W*4SP	4	1.1	31000	43900	57000	70100						
ABM 35	36,000	W*2MP	2	2.5	27040	38215	49610	61005						
		W*3MP	3	1.9	33185	46900	59540	72180						
		W*4MP	4	1.1	38750	54805	69815	84820						
ABM 36/37	36,000	W*2SP	2	2.5	23700	33500	43550	53600						
		W*3SP	3	1.9	29800	42100	54700	67300						
		W*4SP	4	1.1	33500	47400	61600	75800						
ABM 42/43	42,000	W*2LP	2	2.5	30200	42600	55300	68000					12.5	25
		W*3LP	3	1.9	36300	51400	65000	78600						
		W*4LP	4	1.1	43600	61600	77250	92900						
ABM 48/49	48,000	W*2LP	2	2.1	31700	44800	58100	71400						
		W*3LP	3	1.6	38200	54000	67300	80600						
		W*4LP	4	0.9	45900	64900	81450	98000						
ABM 47/59	48,000/ 60,000	W*3XP	3	1.3	38195	54020	65095	76170						
		W*4XP	4	0.8	48200	68125	83380	98640						
ABM 60/61/62	60,000	W*2LP	2	1.7	32900	46600	60500	74400						
		W*3LP	3	1.3	39700	56200	70100	84000						
		W*4LP	4	0.8	47800	67600	84900	102200						
ABM 18/19	18,000	W*2S8	2	3.9	18700	26400	34150	41900	4.1	15				
		W*3S8	3	2.9	22900	32300	41750	51200						
ABM 23	24,000	W*2S8	2	3.9	22600	31600	40550	49500						
		W*3S8	3	2.9	26900	38000	49150	60300						
ABM 24/25		W*2S8	2	3.9	22600	31600	40550	49500						
		W*3S8	3	2.9	26900	38000	49150	60300						

In keeping with its commitment to continuous improvement, Aspen Manufacturing reserves the right to make changes without notice and incurring obligation. To stay up-to-date with this product and Aspen's trusted line of coils, air handlers, and more, go to our website. ABM-Spec-2025-03





**HEATING/COOLING PERFORMANCE & ELECTRICAL DATA - CONTINUED**

MODEL	PERFORMANCE DATA							ELECTRICAL DATA		
	NOM. COOL.	HYDRONIC HEAT KIT MODEL	ROWS	COIL P.D.	HEATING CAPACITY BTU/HR HIGH PRESSURE DROP PUMP @ 5 GPM NOM. AIRFLOW				MIN. CIRCUIT AMPACITY (MCA)	MAX. BREAKER OR FUSE SIZE
					5 GPM	ENTERING WATER TEMP.				
				120°		140°	160°	180°		
ABM 30/31	30,000	W*2S8	2	3.5	23900	33800	43800	53800	7.9	15
		W*3S8	3	2.6	30100	42500	55100	67700		
		W*4S8	4	1.5	34000	48000	62300	76600		
ABM 35	36,000	W*2M8	2	3.5	29625	41875	54295	66715	7.9	15
		W*3M8	3	2.6	36870	52095	65800	79505		
		W*4M8	4	1.5	43535	61545	78050	94560		
ABM 36/37	36,000	W*2S8	2	3.5	25800	36500	47350	58200	7.9	15
		W*3S8	3	2.6	32800	46300	60000	73700		
		W*4S8	4	1.5	37200	52600	68200	83800		
ABM 42/43	42,000	W*2L8	2	3.5	33200	46800	60650	74500	12.5	25
		W*3L8	3	2.6	40500	57300	70850	84400		
		W*4L8	4	1.5	49000	69300	86450	103600		
ABM 48/49	48,000	W*2L8	2	3	34900	49300	63900	78500	12.5	25
		W*3L8	3	2.2	42750	60450	74825	89200		
		W*4L8	4	1.3	52000	73500	91725	109950		
ABM 47/59	48,000/60,000	W*3X8	3	1.9	43295	61300	73190	85075	12.5	25
		W*4X8	4	1.1	55360	78230	95070	111900		
ABM 60/61/62	60,000	W*2L8	2	2.5	36600	51800	67150	82500	12.5	25
		W*3L8	3	1.9	45000	63600	78800	94000		
		W*4L8	4	1.1	55000	77700	97000	116300		

In keeping with its commitment to continuous improvement, Aspen Manufacturing reserves the right to make changes without notice and incurring obligation. To stay up-to-date with this product and Aspen's trusted line of coils, air handlers, and more, go to our website. ABM-Spec-2025-03



BLOWER DATA									
MODEL	MOTOR				CFM VS. EXTERNAL STATIC (DRY COIL)*				
	SPEED	HP	AMPS	VOLT.	0.10	0.20	0.30	0.40	0.50
ABM 18/19/24/25	LOW	1/5	2.8	120V	780	740	700	645	585
	HIGH				850	800	745	685	620
ABM 23	LOW	825	780		735	675	630		
	HIGH	865	815		780	705	640		
ABM 30/31/36/37	LOW	1/3	5.8		925	910	850	825	800
	MID				1180	1155	1115	1060	1000
	HIGH				1330	1270	1205	1140	1070
ABM 35	LOW	995	980		750	915	885		
	MID	1140	1085		1045	1000	950		
	HIGH	1220	1165		1130	1060	1000		
ABM 42/43/48/ 49/60/61/62	LOW	3/4	9.5		1360	1340	1310	1280	1230
	MID				1530	1470	1420	1360	1310
	HIGH			1730	1670	1600	1540	1480	
ABM 47/59	LOW	1350	1315	1300	1245	1205			
	MID	1500	1450	1400	1350	1315			
	HIGH	1670	1615	1560	1515	1450			

\*Dry Coil with filter in place

AIR HANDLER CHASSIS NOMENCLATURE			
ABM	18	F	-001
120V PSC MOTOR MULTI-POSITION HYDRONIC AIR HANDLER	NOMINAL TONNAGE (MBTUH)	<b>A1 METERING DEVICE</b> <b>4</b> = R410A (TXV NON-BLEED A/C or H/P) <b>F</b> = R22 (PISTON) <b>X</b> = R22 (TXV NON-BLEED A/C or H/P) <b>G</b> = R410A (PISTON) <b>B</b> = R22 (TXV 20% BLEED A/C or H/P)	OPTION CODE
		<b>A2L METERING DEVICE</b> <b>J</b> = R454B (TXV NON-BLEED A/C or H/P) <b>M</b> = R32 (PISTON) <b>K</b> = R454B (TXV 20% BLEED A/C or H/P) <b>N</b> = R454B (PISTON) <b>D</b> = R32 (TXV NON-BLEED A/C or H/P)	

HYDRONIC HEAT NOMENCLATURE				
W	C	2	S	P
WATER HEAT (HYDRONIC)	<u>INTERRUPTION</u> <b>C</b> = CIRCUIT BREAKER <b>T</b> = TERMINAL BLOCK	<u># OF ROWS</u> 2 3 4	<u>CABINET SIZE &amp; NOM. TONNAGE</u> <b>S</b> = ABM18,19,23,24, 25,30,31,36,37 <b>M</b> = ABM35 <b>L</b> = ABM42,43,48,49, 60,61,62 <b>X</b> = ABM47,59	<u>PUMP</u> <b>L</b> = No Pump <b>P</b> = Taco 006 pump (factory installed) <b>S</b> = Taco 008 pump high head (factory installed) <b>R</b> = Taco 009 pump high head (to be mounted external to all units except for multi-position units)

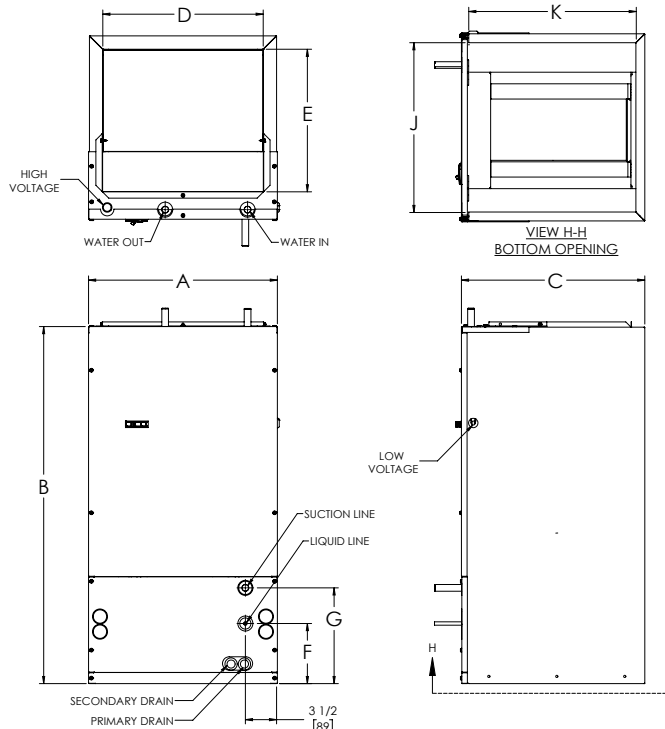
In keeping with its commitment to continuous improvement, Aspen Manufacturing reserves the right to make changes without notice and incurring obligation. To stay up-to-date with this product and Aspen's trusted line of coils, air handlers, and more, go to our website. ABM-Spec-2025-03

**ABM DIMENSIONS (In.) - FIGURE 1**

Model	A	B	C	D	E	F	G	J	K	FILTER SIZE	PISTON SIZE	WEIGHT	SKID QTY
ABM 18+W*	21 [533]	49-1/4 [1251]	20-1/2 [521]	18-3/4 [476]	12 [305]	7-1/4 [184]	10-1/4 [260]	18-1/2 [470]	18-1/2 [470]	16X20	0.055	99	4
ABM 19/24/25+W*	21 [533]	49-1/4 [1251]	20-1/2 [521]	18-3/4 [476]	12 [305]	8-1/4 [209]	12-1/4 [311]	18-1/2 [470]	18-1/2 [470]	16X20	0.059	100	
ABM 30+W*	21 [533]	49-1/4 [1251]	20-1/2 [521]	18-3/4 [476]	12 [305]	8-1/4 [209]	14-1/4 [362]	18-1/2 [470]	18-1/2 [470]	16X20	0.068	118	
ABM 36+W*	21 [533]	49-1/4 [1251]	20-1/2 [521]	18-3/4 [476]	12 [305]	10-1/4 [260]	16-1/4 [412]	18-1/2 [470]	18-1/2 [470]	16X20	0.068	118	
ABM 31/37+W*	21 [533]	49-1/4 [1251]	20-1/2 [521]	18-3/4 [476]	12 [305]	10-1/4 [260]	16-1/4 [412]	18-1/2 [470]	18-1/2 [470]	16X20	0.074	147	
ABM 42+W*	24-1/2 [622]	57 [1448]	20-1/2 [521]	22-1/4 [565]	14-3/4 [375]	11 [279]	16 [406]	22 [559]	18-1/2 [470]	20X20	0.080	153	
ABM 48+W*	24-1/2 [622]	57 [1448]	20-1/2 [521]	22-1/4 [565]	14-3/4 [375]	13 [330]	18 [457]	22 [559]	18-1/2 [470]	20X20	0.084	180	
ABM 43/49/60/62+W*	24-1/2 [622]	57 [1448]	20-1/2 [521]	22-1/4 [565]	14-3/4 [375]	13 [330]	18 [457]	22 [559]	18-1/2 [470]	20X20	0.084	180	
ABM 61+W*	24-1/2 [622]	57 [1448]	20-1/2 [521]	22-1/4 [565]	14-3/4 [375]	15 [381]	20 [508]	22 [559]	18-1/2 [470]	20X20	0.092	200	
ABM 23+W*	24-1/2 [622]	40 [1016]	20-1/2 [521]	22-1/4 [565]	16 [406]	6-3/4 [171]	10-3/4 [273]	18-1/2 [470]	18-1/2 [470]	16X20	0.059	100	
ABM 35+W*	21 [533]	42 [1067]	23 [584]	18 [457]	19 [483]	8-3/4 [222]	12-3/4 [324]	18 [457]	20 [533]	20X20	0.068	170	
ABM 47/59+W*	21 [533]	48 [1219]	28 [711]	18 [457]	24 [610]	11-3/4 [298]	15-3/4 [400]	18 [457]	25 [660]	20X25	0.084	200	

**FIGURE 1**

**SUCTION LINE:**  
 1.5T to 3.0T = 3/4"  
 3.5T to 5.0T = 7/8"  
**LIQUID LINE:** 3/8"



In keeping with its commitment to continuous improvement, Aspen Manufacturing reserves the right to make changes without notice and incurring obligation. To stay up-to-date with this product and Aspen's trusted line of coils, air handlers, and more, go to our website. ABM-Spec-2025-03

# AFM SERIES

## HIGH-EFFICIENCY MULTI-POSITION HYDRONIC HEAT AIR HANDLER

### FEATURES, BENEFITS, DIMENSIONS, & SPECIFICATIONS



Unit shown with service panels removed. Representative drawing only. Some models may vary in appearance. Due to continuous product improvement, specifications are subject to change without notice.

#### APPLICATION VERSATILITY

Upflow or horizontal right as shipped (field-convertible for down-flow or horizontal left applications). Can be AHRI certified with most brands of air conditioners or heat pumps.

- ETL listed for use with R-22, R-410A, R-454B, and R-32 when a proper metering device is used.
- In accordance to UL 60335 Refrigerant Detection Systems are factory-installed on A2L refrigerant ready air handlers.

#### MOTOR

Constant torque ECM speeds and torques are controlled by software embedded in the motor to maintain constant torque. Motors are pre-programmed at the factory.

#### LOW LEAKAGE CABINET

Less than 2% air leakage from cabinet when tested in accordance with ASHRAE standard 193. Unit must be installed according to Aspen installation instructions. Sturdy, fully insulated galvanized steel cabinet.

#### BLOWER

Direct drive blowers circulate air quietly and efficiently. Motor speeds and torques programmed in the motor. Blowers mounted on rails so they can be easily removed for service.

#### ELECTRONIC CONTROL BOARD

An electronic board controls the functioning of the system reducing moving parts. The board provides for various hot water supply source connections and the blower time delay to maximize heat/cool extraction. As an enhanced feature the pump circulates hot water every 6 hours to prevent water stagnation.

#### MODULAR HYDRONIC HEAT KITS

Air Handlers are available with either factory-installed circuit breakers or terminal blocks with choice of 2, 3 and 4 rows of hot water coil. Freeze stat is standard, wired into circulating pump control circuit. Controls are accessible from the front for easy service. Electrical connections can be made from the top or left. Disconnect protrudes through the front panel for easy access. Fan time delay relay standard for increased efficiency. Heat kits are available with or without circulating pump and check valve. Units are provided with auxiliary relay for remote pump. Schrader ports are standard on water-out manifold, hose bib available as an option.

#### DX COIL

High efficiency rifled copper tubes/enhanced aluminum fins provide maximum heat transfer. All coils immersion tested at 500 psi, then Nitrogen-pressurized and factory sealed for maximum reliability. Liquid-line Schrader allows pre-installation pressure testing. Available with either orifice or TXV metering device. Field-installable bolt-on TXVs are also available. Rugged, UV safe, GLP drain pan holds minimal condensate while eliminating the possibility of corrosion. Galvanized metal drain pan with bottom primary and secondary drain connections or alternate right side primary. All connections 3/4" FPT. Access door allows for coil cleaning.

**WARRANTY** Five-year limited parts warranty

**OPTIONS** See options menu.



**WANT MORE INFORMATION ON ASPEN'S AFM SERIES AIR HANDLERS?**

SCAN QR CODE TO VISIT THIS PRODUCT ON OUR WEBSITE



*For complete warranty details, please visit our Warranty Information tab when you visit Aspen's website. To view this coil's product information online for the most up-to-date information scan the QR Code.*

In keeping with its commitment to continuous improvement, Aspen Manufacturing reserves the right to make changes without notice and incurring obligation. To stay up-to-date with this product and Aspen's trusted line of coils, air handlers, and more, go to our website. AFM-Spec-2025-03

HEATING/COOLING PERFORMANCE & ELECTRICAL DATA										
MODEL	PERFORMANCE DATA							ELECTRICAL DATA		
	NOM. COOLING	HYDRON. HEAT KIT MODEL	# OF ROWS	COIL P.D.	HEATING CAPACITY BTU/HR STANDARD PUMP @ 3.5 GPM NOM. AIRFLOW				MIN. CIRCUIT AMP. (MCA)	MAX. BREAKER OR FUSE SIZE
					3.5 GPM	ENTERING WATER TEMP.				
				120°		140°	160°	180°		
AFM 18/19	18,000	W*2SP	2	2.7	17770	24900	32250	39600	6.78	
		W*3SP	3	2.1	21600	30500	39450	48400		
AFM 23/24/25	24,000	W*2SP	2	2.7	20200	28500	36950	45400		
		W*3SP	3	2.1	25000	35300	45800	56300		
AFM 30/31	30,000	W*2SP	2	2.5	22100	31300	40645	49990	15	
		W*3SP	3	1.9	27700	39100	50750	62400		
		W*4SP	4	1.1	31000	43900	57000	70100		
AFM 36/37	36,000	W*2SP	2	2.5	23700	33500	43550	53600		
		W*3SP	3	1.9	29800	42100	54700	67300		
		W*4SP	4	1.1	33500	47400	61600	75800		
AFM 35		W*2MP	2	2.5	27040	38215	49610	61005		
		W*3MP	3	1.9	33185	46900	59540	72180		
		W*4MP	4	1.1	38750	54805	69815	84820		
AFM 42/43	42,000	W*2LP	2	2.5	30200	42600	55300	68000	15.16	25
		W*3LP	3	1.9	36300	51400	65000	78600		
		W*4LP	4	1.1	43600	61600	77250	92900		
AFM 47	48,000	W*3XP	3	1.3	38195	54020	65095	76170		
		W*4XP	4	0.8	48200	68125	83380	98640		
AFM 48/49		W*2LP	2	2.1	31700	44800	58100	71400		
		W*3LP	3	1.6	38200	54000	67300	80600		
		W*4LP	4	0.9	45900	64900	81450	98000		
AFM 59		60,000	W*3XP	3	1.3	38195	54020	65095		
	W*4XP		4	0.8	48200	68125	83380	98640		
AFM 60/61	W*2LP		2	1.7	32900	46600	60500	74400		
	W*3LP		3	1.3	39700	56200	70100	84000		
	W*4LP		4	0.8	47800	67600	84900	102200		

In keeping with its commitment to continuous improvement, Aspen Manufacturing reserves the right to make changes without notice and incurring obligation. To stay up-to-date with this product and Aspen's trusted line of coils, air handlers, and more, go to our website. AFM-Spec-2025-03



BLOWER DATA													
MODEL	MOTOR				CFM VS. EXTERNAL STATIC (DRY COIL)								
	SPEED TAP	HP	FLA.	VOLT.	0.10	0.20	0.30	0.40	0.50	0.60	0.70	0.80	0.90
AFM 18/19/ 24/25	TAP 5	1/3	4.8A	120V	870	840	810	790	770	740	720	700	660
	TAP 4				700	670	640	620	590	570	540	510	480
	TAP 3				610	580	550	530	510	480	440	400	370
	TAP 2				500	480	460	430	400	370	340	300	260
	TAP 1				870	840	810	790	770	740	720	700	660
AFM 23	TAP 5	1/3	4.8A		870	840	810	790	760	730	710	670	640
	TAP 4				810	790	760	740	710	670	640	620	590
	TAP 3				760	730	700	660	630	600	570	550	510
	TAP 2				710	690	650	620	590	550	530	500	460
	TAP 1				650	630	590	570	540	510	460	430	390
AFM 30/31/ 36/37	TAP 5	1/2	6.8A		1090	1060	1040	1010	980	970	930	920	880
	TAP 4				1070	1040	1010	980	950	930	920	880	850
	TAP 3				890	870	830	800	780	750	720	690	650
	TAP 2				710	670	640	600	580	550	520	490	460
	TAP 1				550	510	470	440	400	370	340	300	270
AFM 35	TAP 5	1/2	6.8A	1220	1190	1170	1140	1110	1090	1060	1030	1000	
	TAP 4			1140	1110	1090	1060	1030	1000	970	930	900	
	TAP 3			930	900	880	840	810	780	750	710	670	
	TAP 2			810	790	760	730	690	650	620	590	560	
	TAP 1			700	650	620	580	540	510	480	440	400	
AFM 42/43/ 48/60/61	TAP 5	1	11.5A	1810	1800	1760	1720	1690	1670	-	-	-	
	TAP 4			1690	1650	1630	1590	1570	1550	1500	1460	1420	
	TAP 3			1460	1440	1420	1400	1350	1300	1280	1230	1170	
	TAP 2			1370	1320	1280	1250	1230	1200	1170	1120	1060	
	TAP 1			750	700	630	590	550	500	450	400	350	
AFM 47/59	TAP 5	1	11.5A	1920	1880	1850	1810	1780	1740	1700	-	-	
	TAP 4			1810	1780	1740	1700	1670	1630	1590	1550	1500	
	TAP 3			1530	1480	1440	1400	1350	1300	1250	1200	1140	
	TAP 2			1290	1260	1210	1150	1100	1040	1000	930	870	
	TAP 1			930	880	810	740	650	570	520	480	420	

### AIR HANDLER CHASSIS NOMENCLATURE (HYDRONIC MULTI-POSITION)

AFM	18	4	-000
120V ECM MOTOR (CONSTANT TORQUE) HYDRONIC MULTI-POSITION AIR HANDLER	NOM. TONN. (MBTUH)	<b>A1 - METERING DEVICE</b> 4 = R410A (TXV NON-BLEED A/C or H/P)    F = R22 (PISTON) X = R22 (TXV NON-BLEED A/C or H/P)    G = R410A (PISTON) B = R22 (TXV 20% BLEED A/C or H/P)	OPTION CODE
		<b>A2L - METERING DEVICE</b> J = R454B (TXV NON-BLEED A/C or H/P)    M = R32 (PISTON) K = R454B (TXV 20% BLEED A/C or H/P)    N = R454B (PISTON) D = R32 (TXV NON-BLEED A/C or H/P)	

In keeping with its commitment to continuous improvement, Aspen Manufacturing reserves the right to make changes without notice and incurring obligation. To stay up-to-date with this product and Aspen's trusted line of coils, air handlers, and more, go to our website. AFM-Spec-2025-03





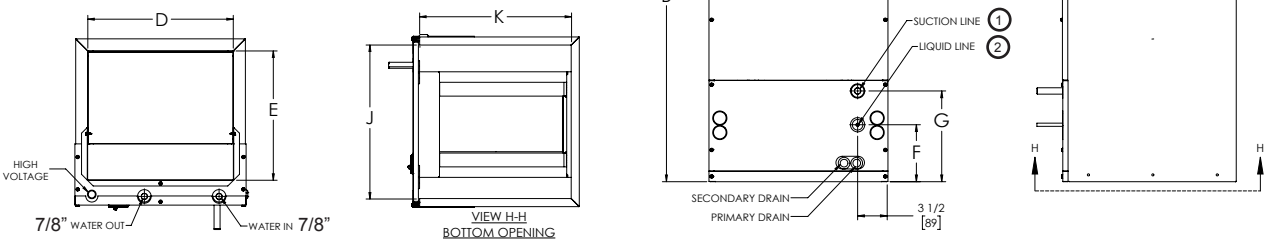
HYDRONIC HEAT NOMENCLATURE				
W	C	2	S	P
WATER HEAT (HYDRONIC)	<b>INTERRUPTION</b> C = CIRCUIT BREAKER T = TERMINAL BLOCK	<b># OF ROWS</b> 2 3 4	<b>CABINET SIZE &amp; NOM. TON.</b> S = AFM18,19,23,24,25,30,31,36,37 M = AFM35 L = AFM42,43,48,49,60,61 X = AFM47,59	<b>PUMP</b> L = No Pump P = Taco 006 pump (factory installed) 8 = Taco 008 pump high head (factory installed) R = Taco 009 pump high head (to be mounted external to all units except for multi-position units)

**AFM DIMENSIONS (In.) - Figure 1**

Model	A	B	C	D	E	F	G	J	K	FILTER SIZE	SHIP. WEIGHT	SKID QTY
AFM 18+W*	21 [533]	49-1/4 [1251]	20-1/2 [521]	18-3/4 [476]	12 [305]	5-3/4 [146]	9-3/4 [248]	18-1/2 [470]	18-1/2 [470]	16X20	99	4
AFM1 9/24/25+W*	21 [533]	49-1/4 [1251]	20-1/2 [521]	18-3/4 [476]	12 [305]	7-3/4 [197]	11-3/4 [298]	18-1/2 [470]	18-1/2 [470]	16X20	100	
AFM 30+W*	21 [533]	49-1/4 [1251]	20-1/2 [521]	18-3/4 [476]	12 [305]	10-1/2 [267]	14-1/2 [368]	18-1/2 [470]	18-1/2 [470]	16X20	118	
AFM 36+W*	21 [533]	49-1/4 [1251]	20-1/2 [521]	18-3/4 [476]	12 [305]	12-1/2 [317]	16-1/2 [419]	18-1/2 [470]	18-1/2 [470]	16X20	118	
AFM 31/37+W*	21 [533]	49-1/4 [1251]	20-1/2 [521]	18-3/4 [476]	12 [305]	14-3/4 [374]	18-3/4 [476]	18-1/2 [470]	18-1/2 [470]	16X20	147	
AFM 42+W*	24-1/2 [622]	57 [1448]	20-1/2 [521]	22-1/4 [565]	14-3/4 [375]	14-3/4 [374]	18-3/4 [476]	22 [559]	18-1/2 [470]	20X20	153	
AFM 48+W*	24-1/2 [622]	57 [1448]	20-1/2 [521]	22-1/4 [565]	14-3/4 [375]	16 [406]	20 [533]	22 [559]	18-1/2 [470]	20X20	180	
AFM4 3/49/60+W*	24-1/2 [622]	57 [1448]	20-1/2 [521]	22-1/4 [565]	14-3/4 [375]	18 [457]	22 [559]	22 [559]	18-1/2 [470]	20X20	180	
AFM 61+W*	24-1/2 [622]	57 [1448]	20-1/2 [521]	22-1/4 [565]	14-3/4 [375]	20 [533]	24 [610]	22 [559]	18-1/2 [470]	20X20	200	
AFM 23+W*	21 [533]	40 [1016]	20-1/2 [521]	18 [457]	16 [406]	7 [178]	11 [279]	18-1/2 [470]	18-1/2 [470]	16X20	100	
AFM 35+W*	21 [533]	42 [1067]	23 [584]	18 [457]	19 [483]	8-3/4 [222]	12-3/4 [324]	18 [457]	20 [533]	20X20	170	
AFM 47/59+W*	21 [533]	48 [1219]	28 [711]	18 [457]	24 [610]	11-3/4 [298]	15-3/4 [400]	18 [457]	25 [660]	20X25	200	

**FIGURE 1**

- ① **SUCTION LINE:**  
1.5T to 3.0T = 3/4"  
3.5T to 5.0T = 7/8"
- ② **LIQUID LINE:** 3/8"



In keeping with its commitment to continuous improvement, Aspen Manufacturing reserves the right to make changes without notice and incurring obligation. To stay up-to-date with this product and Aspen's trusted line of coils, air handlers, and more, go to our website. AFM-Spec-2025-03

# AFL SERIES

## HIGH-EFFICIENCY HYDRONIC MULTI-POSITION FURNACE AIR HANDLER

### FEATURES, BENEFITS, DIMENSIONS, & SPECIFICATIONS



Unit shown with service panels removed. Representative drawing only. Some models may vary in appearance. Due to continuous product improvement, specifications are subject to change without notice.

#### APPLICATION VERSATILITY

Upflow or horizontal right as shipped (field-convertible for downflow or horizontal left applications).

- ETL listed for use with R-22, R-410A, R-454B, and R-32 when a proper metering device is used.
- In accordance to UL 60335 Refrigerant Detection Systems are factory-installed on A2L refrigerant ready air handlers.

#### MOTOR

Constant torque ECM speeds and torques are controlled by software embedded in the motor to maintain constant torque. Motors are pre-programmed at the factory.

#### CABINET

Sturdy, galvanized steel cabinet with painted front panels. Cabinet fully insulated with 1/2" micro mat non-hygroscopic insulation to prevent sweating, to encapsulate glass fibers, and to provide excellent R-value. Stick pins ensure insulation remains in place. Units ship with disposable filter in filter rack.

#### MODULAR HYDRONIC HEAT KITS

Standard Heats kits available with either circuit breakers or terminal blocks and are factory-installed. Freeze stat is standard, wired into circulating pump control circuit. Controls are accessible from the front for easy service. Electrical connections can be made from the top or left. Fan time delay relay standard for increased efficiency. Heat kits are available with or without circulating pump and check valve. Units are provided with auxiliary relay for remote pump. Schrader ports are standard on water-out manifold, hose bib available as an option.

#### BLOWER

Direct drive multi-speed blowers circulate air quietly and efficiently and allow for precise air volume selection. Five motor speeds can be easily selected via motor terminals. Blowers mounted on rails so they can be easily removed for service.

**WARRANTY** Five-year limited parts warranty.

**OPTIONS** See options menu.



#### WANT MORE INFORMATION ON ASPEN'S AFL SERIES AIR HANDLERS?

SCAN QR CODE TO VISIT THIS PRODUCT ON OUR WEBSITE



*For complete warranty details, please visit our Warranty Information tab when you visit Aspen's website. To view this coil's product information online for the most up-to-date information scan the QR Code.*

In keeping with its commitment to continuous improvement, Aspen Manufacturing reserves the right to make changes without notice and incurring obligation. To stay up-to-date with this product and Aspen's trusted line of coils, air handlers, and more, go to our website. AFL-Spec-2025-03

**HEATING/COOLING PERFORMANCE & ELECTRICAL DATA**

MODEL	PERFORMANCE DATA								ELECTRICAL DATA		
	HYDRO. HEAT KIT MODEL	SPEED TAP	HEATING COIL		ΔP FT. WATER	HEATING @ 3.5 GPM CAPACITY (BTU/HR @ 3.5 GPM)				MIN. CIRCUIT AMPACITY (MCA)	MAX. BREAKER OR FUSE SIZE
			ROW	SLAB SIZE		120°	140°	160°	180°		
AFLS	WC2SP	2	2	18X12	2.8	17700	24900	32300	39600	6.7	15
		1				20200	28500	36900	45400		
	WC3SP	2	3		2.1	21600	30500	39400	48400		
		1				25000	35300	45800	56300		
	WC2SR	2	2		5.6	18700	26400	34100	41900	8.3	
		1				21600	30500	39500	48500		
	WC3SR	2	3		4.2	22900	32300	41700	51200		
		1				26900	38000	49100	60300		
AFLM	WC2SP	2	2	18X12	2.8	22100	31300	40500	49900	9.2	20
		1				23700	33500	43500	53600		
	WC3SP	2	3		2.1	27700	39100	50700	62400		
		1				29800	42100	54700	67300		
	WC4SP	2	4		1.1	31000	43900	57000	70100	10.8	
		1				33500	47400	61500	75800		
	WC2SR	2	2		5.6	23900	33800	43700	53800		
		1				25800	36500	47300	58200		
	WC3SR	2	3		4.2	30100	42500	55100	67700		
		1				32800	46300	60000	73700		
	WC4SR	2	4		2.2	34000	48000	62300	76600		
		1				37200	52600	68100	83800		
AFLF	WC2LP	3	2	22X 14-1/2	3.6	30200	42600	55300	68000	14.3	30
		2				31700	44800	58000	71400		
		1				32900	46600	60400	74400		
	WC3LP	3	3		1.7	36300	51400	66700	76600		
		2				38200	54000	70100	80600		
		1				39700	56200	73000	84000		
	WC4LP	3	4		1.1	43600	61600	79900	92900		
		2				45900	64900	84200	98000		
		1				47800	67600	87700	102200		
	WC2LR	3	2		7.2	33200	46800	60600	74500	15.8	
		2				35000	49400	64000	78700		
		1				36600	51800	67100	82500		
	WC3LR	3	3		3.4	40500	57300	74200	84400		
		2				42900	60700	78600	89500		
		1				45000	63600	82500	94000		
	WC4LR	3	4		2.2	49000	69300	89700	103600		
		2				52200	73800	95600	110400		
		1				55000	77700	100800	116300		

In keeping with its commitment to continuous improvement, Aspen Manufacturing reserves the right to make changes without notice and incurring obligation. To stay up-to-date with this product and Aspen's trusted line of coils, air handlers, and more, go to our website. AFL-Spec-2025-03



X-13 BLOWER DATA						
MODEL	SPEED TAP	CFM VS EXTERNAL STATIC* (DRY COIL)				
		0.10	0.20	0.30	0.40	0.50
AFLS+ WC2SR WC3SR	TAP 1	900	855	800	740	675
	TAP 2	670	650	615	600	550
	TAP 3	460	445	420	400	385
	TAP 4	900	855	800	740	675
	TAP 5	350	335	315	300	280
AFLM+ WC2SR WC3SR WC4SR	TAP 1	1200	1130	1085	1030	985
	TAP 2	1140	1090	1030	975	910
	TAP 3	905	870	835	800	740
	TAP 4	760	730	695	650	605
	TAP 5	475	450	425	400	375
AFL+ WC2LR WC3LR WC4LR	TAP 1	1875	1800	1730	1690	1625
	TAP 2	1705	1660	1600	1530	1480
	TAP 3	1495	1460	1430	1400	1365
	TAP 4	1340	1295	1255	1200	1140
	TAP 5	910	875	840	800	745

\* Dry coil with filter in place.

PHYSICAL DATA				
MODEL	AFLS	AFLM	AFL	
TRANSFORMER	40 VA, CLASS 2. 120V PRIMARY, 24 V SECONDARY			
VOLTAGE	120V - 60Hz			
FILTER SIZE	16x20x1		20x20x1	
BLOWER DATA	WHEEL (DIA. x WIDTH)	9 x 6	10 x 8	12 x 9
	MOTOR HP	1/3	1/2	1
	MOTOR F.L.A.	4.8	6.8	10.9
	FACTORY SPEED TAP	TAP 1		
	NOM. CFM RANGE	800 - 300	1200 - 400	1800 - 800
PUMP DATA 006 STANDARD	PUMP VOLTAGE	115		
	PUMP HP	1/40		
	PUMP AMPS	.52		
PUMP DATA 009 SPECIAL	PUMP VOLTAGE	115		
	PUMP HP	1/8		
	PUMP AMPS	1.8		

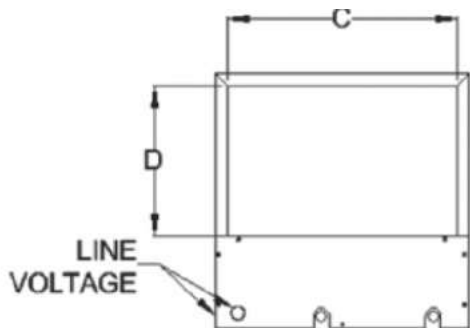
AIR HANDLER CHASSIS NOMENCLATURE		
AFL	S	-001
120V X13 MOTOR LOW BOY HYDRONIC FURNACE	S = 18 & 24 M = 30 & 36 L = 42, 48 & 60	OPTION CODE

In keeping with its commitment to continuous improvement, Aspen Manufacturing reserves the right to make changes without notice and incurring obligation. To stay up-to-date with this product and Aspen's trusted line of coils, air handlers, and more, go to our website. AFL-Spec-2025-03

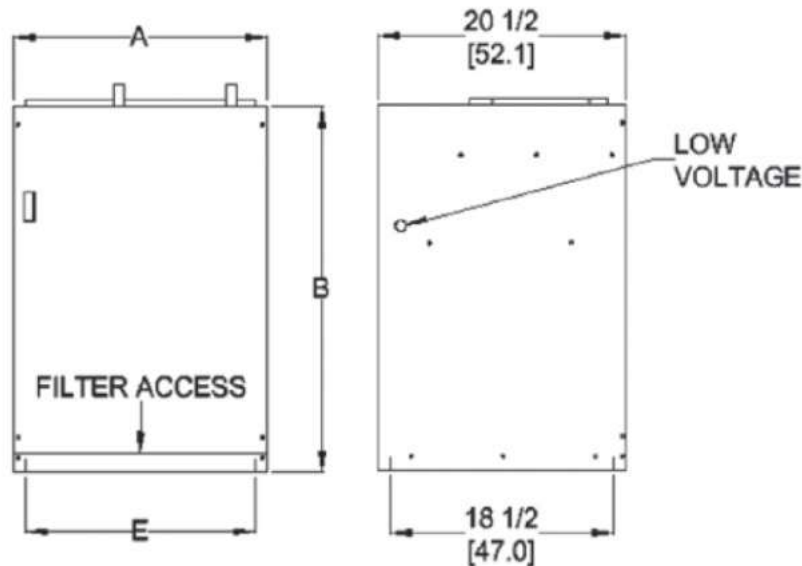
HYDRONIC HEAT KIT NOMENCLATURE				
W	C	2	S	P
MULTI-POSITION HYDRONIC HEAT	<b>INTERRUPTION</b> <b>C = CIRCUIT BREAKER</b> <b>T = TERMINAL BLOCK</b>	<b># OF ROWS</b> 2 = 2 Rows 3 = 3 Rows 4 = 4 Rows	<b>CABINET SIZE &amp; NOM. TON.</b> <b>S = 18, 24, 30, 36</b> <b>L = 42, 48, 60</b>	<b>PUMP</b> <b>L = No Pump</b> <b>P = Taco 006 pump (factory installed)</b> <b>B = Taco 008 pump high head (factory installed)</b> <b>R = Taco 009 pump high head (to be mounted external to all units except for multi-position units)</b>

DIMENSIONS AND SHIPPING SPECIFICATIONS (In.) - FIGURE 1								
MODEL	WIDTH (A)	HEIGHT (B)	DUCT OPENING		BOTTOM OPENING	FILTER SIZE	SHIP WEIGHT (LB)	SKID QTY
			C	D	E			
AFLS	21	30	18-3/4	12	18-1/2	16X20	83	8
AFLM								
AFL	24-1/2	33	22-1/4	14-1/2	22-1/4	20X20	110	

**FIGURE 1**



INSTALLATION CLEARANCES (In.)		
CABINET CLEARANCE AREA	OPERATION	SERVICE
TOP	0	0
FRONT		30"
SIDES		0
REAR		0



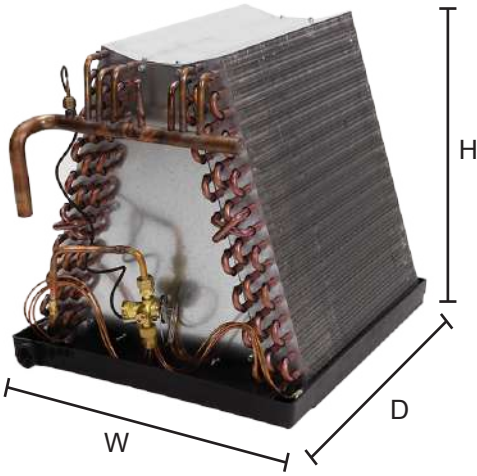
In keeping with its commitment to continuous improvement, Aspen Manufacturing reserves the right to make changes without notice and incurring obligation. To stay up-to-date with this product and Aspen's trusted line of coils, air handlers, and more, go to our website. AFL-Spec-2025-03

# CM SERIES

## COPPER UNCASED UPFLOW/DOWNFLOW COIL FOR MANUFACTURED HOME FURNACES

### FEATURES, BENEFITS, DIMENSIONS, & SPECIFICATIONS

#### FEATURES AND BENEFITS:



Unit shown with service panels removed. Representative drawing only. Some models may vary in appearance. Due to continuous product improvement, specifications are subject to change without notice.

- Rifled copper tubing, enhanced aluminum fins.
- Left or right-hand refrigerant and plumbing connections.
  - Liquid line - 3/8" ODS
  - Suction line - 3/4" ODS on 1.50 3-ton and 7/8" on 3.50-ton to 5-ton.
- Drain connection:
  - 177L pans have single LH 3/4" FPT
  - 195L pans have quad drains 3/4" FPT
- Immersion-tested at 500 psi, then Nitrogen-pressurized and sealed.
- Upflow/downflow plates and manufactured housing drain hose included.
- Liquid line Schrader valve for coil pressurization-confirmation testing.
- Heavy duty polypropylene drain pans.
- AHRI certifiable with all brands of A/C and heat pump systems.
- ETL listed for use with R-410A, R-454B, R-22, and R-32 when proper metering device is used.
- Ten-year limited warranty.



#### WANT MORE INFORMATION ON ASPEN'S CM SERIES EVAPORATOR COILS?

SCAN QR CODE TO VISIT THIS PRODUCT ON OUR WEBSITE



*For complete warranty details, please visit our Warranty Information tab when you visit Aspen's website. To view this coil's product information online for the most up-to-date information scan the QR Code.*

In keeping with its commitment to continuous improvement, Aspen Manufacturing reserves the right to make changes without notice and incurring obligation. To stay up-to-date with this product and Aspen's trusted line of coils, air handlers, and more, go to our website. CM-Spec-2025-03



# SPECIFICATIONS & PERFORMANCE

COIL MODEL	NOM. CAPACITY (BTU)	DIMENSIONS			SHIPPING INFO.			
		DRAIN PAN		COIL ASSY HEIGHT H	WEIGHT (LBS)			SKID QTY
		WIDTH W	DEPTH (D)		2 ROW	3 ROW	4 ROW	
CM24A(2,3)*-177L-*	24,000	17-3/4	19-5/8	13-1/2	17	27	N/A	30
CM24B(2,3)*-177L-*		17-3/4	19-5/8	15-1/2	20	31	N/A	25
CM24C(2,3)*-177L-*		17-3/4	19-5/8	17-1/2	23	36	N/A	25
CM24D(2,3)*-177L-*		17-3/4	19-5/8	19-1/2	25	40	N/A	20
CM30A(2,3)*-177L-*	30,000	17-3/4	19-5/8	15-1/2	20	31	N/A	25
CM30B(2,3)*-177L-*		17-3/4	19-5/8	17-1/2	23	36	N/A	25
CM30C(2,3)*-177L-*		17-3/4	19-5/8	19-1/2	25	40	N/A	20
CM36A(2,3,4)*-177L-*	36,000	17-3/4	19-5/8	17-1/2	23	36	47	25
CM36B(2,3,4)*-177L-*		17-3/4	19-5/8	19-1/2	25	40	N/A	20
CM36B4*-177L-*		17-3/4	19-1/2	19-1/2	N/A	N/A	70	12
CM36B4*-195L-*		19-1/2	19-1/2	19-1/2	N/A	N/A	70	12
CM36E3*195L-*		19-1/2	19-1/2	25-1/2	N/A	58	N/A	12
CM36E4*195L-*		19-1/2	19-1/2	25-1/2	N/A	N/A	79	12
CM36C34**		N/A	23	26	N/A	25	N/A	14
CM42A(2,3)*-177L-*		42,000	17-3/4	19-5/8	19-1/2	25	40	N/A
CM42A4*-177L-*	17-3/4		19-1/2	17-1/2	N/A	N/A	50	25
CM48A3*-177L-*	48,000	17-3/4	19-5/8	21-1/2	N/A	45	N/A	16
CM48A4*-177L-*		17-3/4	19-1/2	21-1/2	N/A	N/A	60	16
CM48B3*-177L-*		17-3/4	19-5/8	23-1/2	N/A	49	N/A	12
CM48B4*-177L-*		17-3/4	19-1/2	23-1/2	N/A	N/A	63	12
CM48C3*-177L-*		17-3/4	19-5/8	25-1/2	N/A	54	N/A	12
CM48C4*-177L-*		17-3/4	19.50	25-1/2	N/A	N/A	68	12
CM48D3*-177L-*		17-3/4	19-5/8	27-1/2	N/A	58	N/A	12
CM48D4*-177L-*		17-3/4	19-1/2	27-1/2	N/A	N/A	72	12
CM48E3*-177L-*		17-3/4	19-1/2	19-1/2	N/A	40	N/A	20
CM48E4*-177L-*		17-3/4	19-1/2	19-1/2	N/A	N/A	55	20
CM59A4*-177L-*		60,000	17-3/4	19-1/2	19-1/2	N/A	N/A	70
CM59A4*-195L-*	19-1/2		19-1/2	19-1/2	N/A	N/A	70	12
CM60A3*195L-*	19-1/2		19-1/2	25-1/2	N/A	58	N/A	12
CM60A4*195L-*	19-1/2		19-1/2	25-1/2	N/A	N/A	79	12
CM60B3*195L-*	19-1/2		19-1/2	27-1/2	N/A	65	N/A	12
CM60B4*195L-*	19-1/2		19-1/2	27-1/2	N/A	N/A	95	12

Duct opening dimensions can be ascertained by subtracting 1.50" for top opening width/depth, 3/4" for bottom opening.

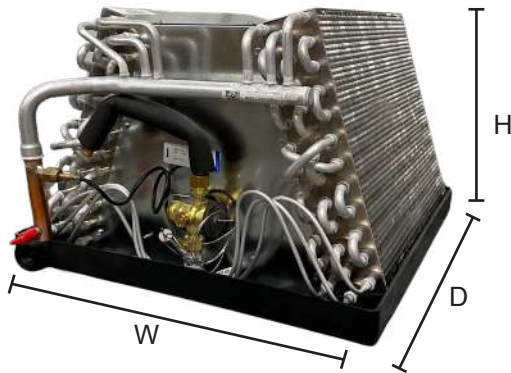
Notes: 1) Do not use heavy duty plastic drain pans on oil furnaces or other applications where outlet temperatures may exceed 290°F +/- 5°F. In keeping with its commitment to continuous improvement, Aspen Manufacturing reserves the right to make changes without notice and incurring obligation. To stay up-to-date with this product and Aspen's trusted line of coils, air handlers, and more, go to our website. CM-Spec-2025-03



# DM SERIES

## ALUMINUM UNCASED UPFLOW/DOWNFLOW COIL FOR MANUFACTURED HOME FURNACES

### FEATURES, BENEFITS, DIMENSIONS, & SPECIFICATIONS



Unit shown with service panels removed. Representative drawing only. Some models may vary in appearance. Due to continuous product improvement, specifications are subject to change without notice.

### FEATURES AND BENEFITS:

- Rifled aluminum tubing, enhanced aluminum fins.
- Left or right-hand refrigerant and plumbing connections, with downturn suction line for easy installation in manufactured housing applications.
  - Liquid line - 3/8" ODS
  - Suction line - 3/4" ODS on 1.50 3-ton and 7/8" on 3.50-ton to 5-ton.
- Drain connections:
  - 177L pans have single LH 3/4" FPT
  - 195L pans have quad drains 3/4" FPT
- Multi-stage leak testing with high-pressure testing at 500 psi, mass spectrometer pressure decay with Helium, then sealed and Nitrogen pressurized.
- Upflow/downflow plates and manufactured housing drain hose included.
- Liquid line Schrader valve for coil pressurization-confirmation testing.
- Heavy duty polypropylene drain pans.
- AHRI certifiable with all brands of A/C and heat pump systems.
- ETL listed for use with R-410A, R-454B, R-22, and R-32 when proper metering device is used.
- Ten-year limited warranty.



### WANT MORE INFORMATION ON ASPEN'S DM SERIES EVAPORATOR COILS?

SCAN QR CODE TO VISIT THIS PRODUCT ON OUR WEBSITE



*For complete warranty details, please visit our Warranty Information tab when you visit Aspen's website. To view this coil's product information online for the most up-to-date information scan the QR Code.*

In keeping with its commitment to continuous improvement, Aspen Manufacturing reserves the right to make changes without notice and incurring obligation. To stay up-to-date with this product and Aspen's trusted line of coils, air handlers, and more, go to our website. DM-Spec-2025-03

## SPECIFICATIONS & PERFORMANCE:

COIL MODEL	NOMINAL CAPACITY (BTU)	DIMENSIONS			SHIPPING INFORMATION		
		DRAIN PAN		COIL ASSY HEIGHT H	WEIGHT (LBS)		SKID QTY
		WIDTH (W)	DEPTH (D)		3 ROW	4 ROW	
DM24A3*-177L-*	24,000	17-3/4	19-5/8	13-1/2	18	N/A	30
DM24B3*-177L-*		17-3/4	19-5/8	15-1/2	21	N/A	25
DM24E3*-177L-*		17-3/4	19-5/8	13-1/2	18	N/A	30
DM24E4*-177L-*		17-3/4	19-1/2	13-1/2	N/A	27	30
DM36A3-177L-*	36,000	17-3/4	19-5/8	17-1/2	25	N/A	25
DM36E3*-177L-*		17-3/4	19-5/8	15-1/2	21	N/A	25
DM36B4*-177L-*		17-3/4	19-1/2	19-1/2	N/A	40	20
DM36B4*-195L-*		19-1/2	19-1/2	19-1/2	N/A	40	20
DM36F3*-195L-*		19-1/2	19-1/2	23-1/2	N/A	42	12
DM36F4*-195L-*		19-1/2	19-1/2	23-1/2	N/A	46	12
DM42B3*-177L-*	42,000	17-3/4	19-5/8	21-1/2	35	N/A	20
DM42E4-177L-*		17-3/4	19-1/2	19-1/2	N/A	40	20
DM48E3*-177L-*	48,000	17-3/4	19-5/8	19-1/2	27	N/A	20
DM59A4*-177L-*	60,000	17-3/4	19-1/2	19-1/2	N/A	40	20
DM59A4*-195L-*		19-1/2	19-1/2	19-1/2	N/A	40	20
DM60A4*-195L-*		19-1/2	19-1/2	23-1/2	N/A	46	12
DM60B4*-195L-*		19-1/2	19-1/2	27-1/2	N/A	52	12

Notes: 1) Do not use heavy duty plastic drain pans on oil furnaces or other applications where outlet temperatures may exceed 290°F+/-5°F.

In keeping with its commitment to continuous improvement, Aspen Manufacturing reserves the right to make changes without notice and incurring obligation. To stay up-to-date with this product and Aspen's trusted line of coils, air handlers, and more, go to our website. DM-Spec-2025-03



# AED/U SERIES

## MANUFACTURED HOUSING ELECTRIC FURNACE

### FEATURES, BENEFITS, DIMENSIONS, & SPECIFICATIONS



Unit shown with service panels removed. Representative drawing only. Some models may vary in appearance. Due to continuous product improvement, specifications are subject to change without notice.

#### BENEFITS & ENHANCEMENTS:

- One piece cabinet, reducing time and effort when field converting airflow orientation. Unit is convertible to either orientation with the correct door/accessories.
- Reduced air handler weight.
- Heat kits available in both field and factory installation kits.
- More room in cabinet for larger coils, as energy efficiencies increase, while maintaining overall cabinet dimensions.
- AEU/D-S & AEU/D-L one-piece cabinet design fits up to a 27.5 tall coil.
- Rail-mounted blower assembly easily removed for service.
- Electrical access from both sides of the cabinet.
- Redesigned control panel for enhanced interface to wiring and components.
- Sloped coil shelf for optimal condensate management.

#### APPLICATION VERSATILITY

Designed for the manufactured home market with flexibility in mind. One-piece air handler with the ability to be factory built as upflow (solid door) or downflow (louvered door) air handler. Can also be field configured to opposite configuration with the proper conversion kit. (Kits sold separately). 2 – 5 tons of cooling or heating airflow with a range of electric heat kits.

- ETL listed for use with R-22, R-410A, R-454B, and R-32 when a proper metering device is used.
- In accordance to UL 60335 Refrigerant Detection Systems are factory-installed on A2L refrigerant ready air handlers.

#### MOTOR

Constant torque ECM, speeds and torque controlled by software to maintain constant torque\*. Direct drive blowers circulate air quietly and efficiently. Motor speeds and torques pre-programmed in the motor at the factory. Blowers mounted on rails so they can be easily removed for service.

#### CABINET

Sturdy, galvanized steel cabinet with painted front panels. Cabinet fully insulated with 1/2" micro mat non-hygroscopic insulation to prevent sweating, to encapsulate glass fibers, and to provide excellent R-value. Mechanical fastening ensure insulation remains in place.

#### MODULAR ELECTRIC HEAT KITS

Heat kits available with either circuit breakers or terminal blocks. Available from 3 to 20 KW. Models with electric heat include sequencers and temperature limit switches for safe, efficient operation. Modules are easily installed in the field using molex plugs or can be ordered factory-installed. Controls are accessible from the front for easy service. Disconnect does not protrude through the wall panel.

#### ELECTRONIC CIRCUIT BOARD

Electronic circuit board provides 30 secs ON/OFF blower time delay extracting more heat/cool from the coil. Automotive pull-style fuse integrated into board for easy diagnosis and replacement of fuse.

#### WARRANTY

Hassle-free five-year limited parts warranty.

#### OPTIONS

See options menu.

\*Constant torque does not change as ESP increases/decreases



**WANT MORE INFORMATION ON ASPEN'S  
AED/U SERIES AIR HANDLERS?**

SCAN QR CODE TO VISIT THIS PRODUCT ON OUR WEBSITE



*For complete warranty details, please visit our Warranty Information tab when you visit Aspen's website.  
To view this coil's product information online for the most up-to-date information scan the QR Code.*



HEATING/COOLING PERFORMANCE & ELECTRICAL DATA											
MODEL	NOM. COOLING (BTU)	ELECTRIC HEAT KIT MODEL	PERFORMANCE DATA				ELECTRICAL DATA				
			SPEED TAP	HEATING (KW)		TOTAL AMPS A		MIN. CIRCUIT AMPACITY (MCA)		MAX. BREAKER OR FUSE SIZE	
				208V	240V	208V	240V	208V	240V	208V	240V
AE*S	18,000 - 36,000	F(C,T)LS00	N/A	0.0	0.0	3.6	3.6	4.5	4.5	15A	15A
		F(C,T)LS03	TAP 1	2.3	3.0	14.4	16.1	18.0	20.1	20A	25A
		F(C,T)LS05	TAP 2	3.6	4.8	20.9	23.6	26.1	29.5	30A	30A
		F(C,T)LS06	TAP 2	4.5	6.0	25.2	28.6	31.5	35.8	35A	40A
		F(C,T)LS08	TAP 2	6.0	8.0	32.4	36.9	40.6	46.2	45A	50A
		F(C,T)LS10	TAP 2	7.2	9.6	38.2	43.6	47.8	54.5	50A	60A
		F(C,T)LS15	TAP 3	7.2/3.6	9.6/4.8	38.2/17.3	43.6/20.0	47.8/21.6	54.5/25.0	50A/25A	60A/25A
AE*L	36,000 - 60,000	F(C,T)LL00	N/A	0.0	0.0	7.0	7.0	9.5	9.5	15A	15A
		F(C,T)LL03	TAP 1	2.3	3.0	17.8	19.5	23.0	25.1	25A	30A
		F(C,T)LL05	TAP 1	3.6	4.8	24.3	27.0	31.1	34.5	35A	35A
		F(C,T)LL06	TAP 1	4.5	6.0	28.6	32.0	36.5	40.0	35A	45A
		F(C,T)LL08	TAP 1	6.0	8.0	35.8	40.3	45.6	51.2	50A	60A
		F(C,T)LL10	TAP 2	7.2	9.6	41.6	47.0	52.8	59.5	60A	60A
		F(C,T)LL15	TAP 2	7.2/3.6	9.6/4.8	41.6/17.3	47.0/20.0	52.8/21.6	59.5/25.0	60A/25A	60A/25A
		F(C,T)LL20	TAP 2	7.2/7.2	9.6/9.6	41.6/34.6	47.0/40.0	52.8/43.3	59.5/50.0	60A/45A	60A/50A

ELECTRIC HEAT KIT NOMENCLATURE			
F	C	L*	00
ELECTRIC HEAT	<b>INTERRUPTION</b> C = CIRCUIT BREAKER T = TERMINAL BLOCK	<b>CABINET SIZE &amp; NOM. TON.</b>  LS = 24-36	<b>HEAT STRIP</b> 00 = 0 KW    08 = 8 KW 03 = 3 KW    10 = 10 KW 05 = 5 KW    15 = 15 KW 06 = 6 KW
		<b>CABINET SIZE &amp; NOM. TON.</b>  LL = 36-60	<b>HEAT STRIP</b> 00 = 0 KW    08 = 8 KW 03 = 3 KW    10 = 10 KW 05 = 5 KW    15 = 15 KW 06 = 6 KW    20 = 20 KW

In keeping with its commitment to continuous improvement, Aspen Manufacturing reserves the right to make changes without notice and incurring obligation. To stay up-to-date with this product and Aspen's trusted line of coils, air handlers, and more, go to our website. AED/U-Spec-2025-03



BLOWER DATA														
MODEL	SPEED TAP	MOTOR			CFM VS EXTERNAL STATIC (DRY COIL)									
		HP	AMPS	VOLT.	0.1	0.2	0.3	0.4	0.5	0.6	0.7	0.8	0.9	1.0
AE*-S (18,000-36,000)	TAP 1	1/2	3.6	240V	710	650	590	530	470	460	410	340	-	-
	TAP 2				770	720	670	630	570	510	450	420	370	340
	TAP 3				900	850	810	800	705	660	610	560	510	480
	TAP 4				1130	1100	1060	1020	980	940	900	850	810	760
	TAP 5				1310	1280	1240	1200	1165	1130	1080	1050	1010	970
AE*-L (36,000-60,000)	TAP 1	1	7.0	240V	1130	1100	1060	1020	965	900	860	810	750	690
	TAP 2				1340	1300	1265	1230	1200	1155	1115	1050	1020	975
	TAP 3				1490	1450	1420	1400	1365	1330	1300	1270	1235	1170
	TAP 4				1670	1640	1610	1585	1550	1520	1500	1460	1430	1400
	TAP 5				1850	1825	1800	1770	1750	1720	1690	1670	1640	1620

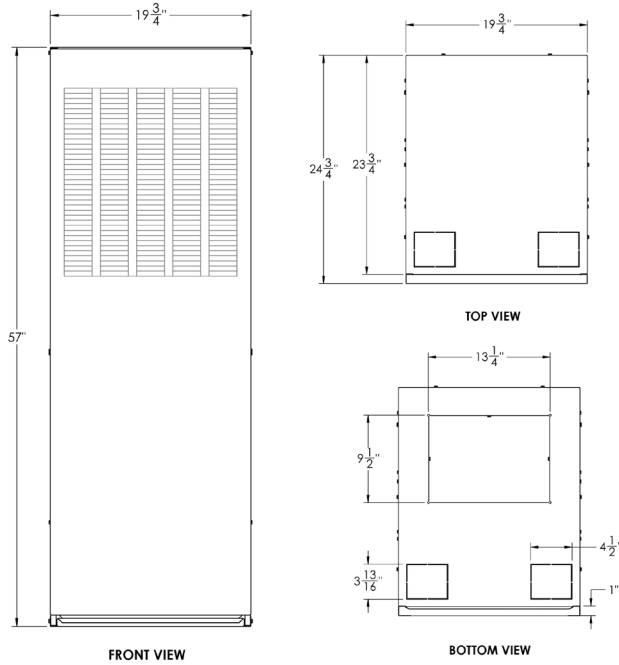
ONE PIECE WRAPPER - CONFIGURATION TABLE					
MODEL (DEFAULT)	CONFIG-UR. (DEFAULT)	RETURN (DEFAULT)	DOOR (DEFAULT)	CONVERTIBLE TO	KIT NEEDED FOR CONVERSION
AED-S-003	DOWNFLOW	FRONT	LOUVERED	DOWNFLOW / FRONT & TOP RETURN - LOUVER DOOR	AEXK-01
AED-L-003				DOWNFLOW / TOP RETURN - SOLID DOOR	AEXK-02
				UPFLOW / BOTTOM RETURN - SOLID DOOR	AEXK-02
AEU-S-003	UPFLOW	BOTTOM	SOLID	DOWNFLOW / FRONT RETURN - LOUVER DOOR	AEXK-03
AEU-L-003				DOWNFLOW / FRONT & TOP RETURN - LOUVER DOOR	AEXK-03
				DOWNFLOW TOP RETURN - SOLID DOOR	AEXK-01
AED-S-004	DOWNFLOW	FRONT & TOP	LOUVERED	DOWNFLOW / FRONT RETURN - LOUVER DOOR	AEXK-04
AED-L-004				DOWNFLOW / TOP RETURN - SOLID DOOR	AEXK-05
				UPFLOW / BOTTOM RETURN - SOLID DOOR	AEXK-05
AED-S-005	DOWNFLOW	TOP	SOLID	DOWNFLOW / FRONT RETURN - LOUVER DOOR	AEXK-03
AED-L-005				DOWNFLOW / FRONT & TOP RETURN - LOUVER DOOR	AEXK-03
				UPFLOW / BOTTOM RETURN - SOLID DOOR	N/A

In keeping with its commitment to continuous improvement, Aspen Manufacturing reserves the right to make changes without notice and incurring obligation. To stay up-to-date with this product and Aspen's trusted line of coils, air handlers, and more, go to our website. AED/U-Spec-2025-03

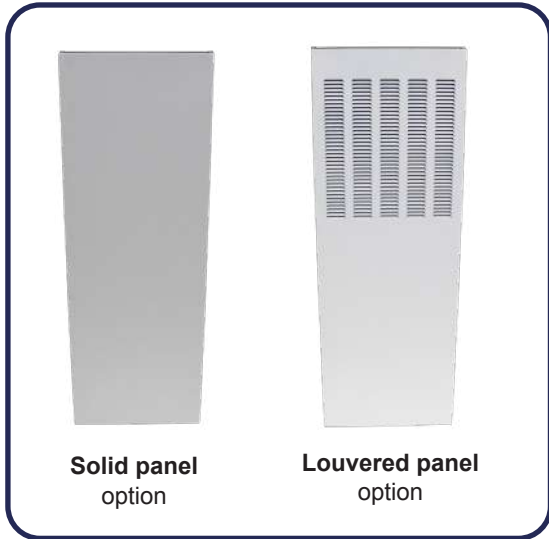


<b>AIR HANDLER CHASSIS NOMENCLATURE</b>		
<b>AE*</b>	<b>-S</b>	<b>-003</b>
<b>CONFIGURATION</b>	<b>NOM. TONNAGE (MBTUH)</b>	<b>OPTION CODE</b>
U = UPFLOW / BOTTOM RETURN	S = 18 TO 36 OR L = 36 TO 60	003
D = DOWNFLOW / FRONT RETURN		004
D = DOWNFLOW / FRONT & TOP RETURN		005
D = DOWNFLOW / TOP RETURN		

**FIGURE 1**



<b>SHIPPING SPECIFICATIONS</b>		
<b>MODEL</b>	<b>SHIP WEIGHT (LB)</b>	<b>SKID QTY</b>
AED-S-00*	116	4
AED-L-00*	128	
AEU-S-00*	111	
AEU-L-00*	123	



FILTER SIZE: 18x20x1 for all configurations.

In keeping with its commitment to continuous improvement, Aspen Manufacturing reserves the right to make changes without notice and incurring obligation. To stay up-to-date with this product and Aspen's trusted line of coils, air handlers, and more, go to our website. AED/U-Spec-2025-03



# AEN SERIES

## MANUFACTURED HOME HIGH-EFFICIENCY DOWNFLOW ELECTRIC FURNACE

### FEATURES, BENEFITS, DIMENSIONS, & SPECIFICATIONS



Unit shown with service panels removed. Representative drawing only. Some models may vary in appearance. Due to continuous product improvement, specifications are subject to change without notice.

#### APPLICATION VERSATILITY

One model that delivers 2 to 5 tons of cooling or heating airflow. Upflow (with MAD coil box) and downflow applications. Can be installed in closet and alcove.

#### MOTOR

Constant torque ECM speeds and torques are controlled by software embedded in the motor to maintain constant torque. Motors are pre-programmed at the factory. Direct drive blowers circulate air quietly and efficiently. Motor speeds and torques programmed in the motor. Blowers mounted on rails so they can be easily removed for service.

#### CABINET

Sturdy, galvanized steel cabinet with painted front panels. Cabinet fully insulated with 1/2" micro mat non-hygroscopic insulation to prevent sweating, to encapsulate glass fibers, and to provide excellent R-value. Stick pins ensure insulation remains in place.

#### MODULAR ELECTRIC HEAT KITS

Heat kits available with either circuit breakers or terminal blocks. Available from 3 to 20 KW. Models with electric heat include sequencers and temperature limit switches for safe, efficient operation. Modules are easily installed in the field using molex plugs or can be ordered factory-installed. Controls are accessible

from the front for easy service. Disconnect does not protrude through the wall panel.

#### ELECTRONIC CIRCUIT BOARD

Electronic circuit board provides 30 secs ON/OFF blower time delay extracting more heat/cool from the coil. Automotive pull-style fuse integrated into board for easy diagnosis and replacement of fuse.

**WARRANTY** Hassle-free five-year limited parts warranty. **OPTIONS** See options menu.



#### WANT MORE INFORMATION ON ASPEN'S AEN SERIES AIR HANDLERS?

SCAN QR CODE TO VISIT THIS PRODUCT ON OUR WEBSITE



*For complete warranty details, please visit our Warranty Information tab when you visit Aspen's website.  
To view this coil's product information online for the most up-to-date information scan the QR Code.*

In keeping with its commitment to continuous improvement, Aspen Manufacturing reserves the right to make changes without notice and incurring obligation. To stay up-to-date with this product and Aspen's trusted line of coils, air handlers, and more, go to our website. AEN-Spec-2024-03



HEATING/COOLING PERFORMANCE & ELECTRICAL DATA										
MODEL	ELECTRIC HEAT KIT	PERFORMANCE DATA					ELECTRICAL DATA			
		NOM. COOL. (BTU)	HEATING (KW)		HEATING (KBTUH)		MIN. CIRCUIT AMPACITY (MCA)		MAX BREAKER OR FUSE SIZE	
			208V	240V	208V	240V	208V	240V	208V	240V
AEN	F(C,T)L00	24,000 - 60,000	0	0	0	0	6.8	6.8	15	15
	F(C,T)L03		2.3	3	7.8	10.2	20.3	22.4	25	25
	F(C,T)L05		3.6	4.8	12.6	16.4	28.4	31.8	30	35
	F(C,T)L08		6	8	20.4	27.3	42.8	48.4	45	50
	F(C,T)L10		7.2	9.6	24.5	32.8	50	56.8	50	60
	F(C,T)L15		10.8	14.4	38.5	49.1	50/21.6	56.8/25	50/25	60/25
	F(C,T)L20		14.4	19.2	49.1	65.5	50/43.3	56.8/50	50/45	60/50

BLOWER DATA									
MODEL	SPEED TAP	MOTOR			CFM VS EXTERNAL STATIC*				
		HP	AMPS	VOLT.	0.10	0.20	0.30	0.40	0.50
AEN	T1	3/4	5.4	240V	940	850	795	740	640
	T2				1155	1070	1015	950	885
	T3				1375	1305	1255	1180	1127
	T4				1500	1430	1375	1315	1260
	T5				1850	1800	1760	1710	1650

AIR HANDLER CHASSIS NOMENCLATURE	
AEN	-001
240V CONSTANT TORQUE ECM MANUFACTURED ELECTRIC HOUSING FURNACE	OPTION CODE

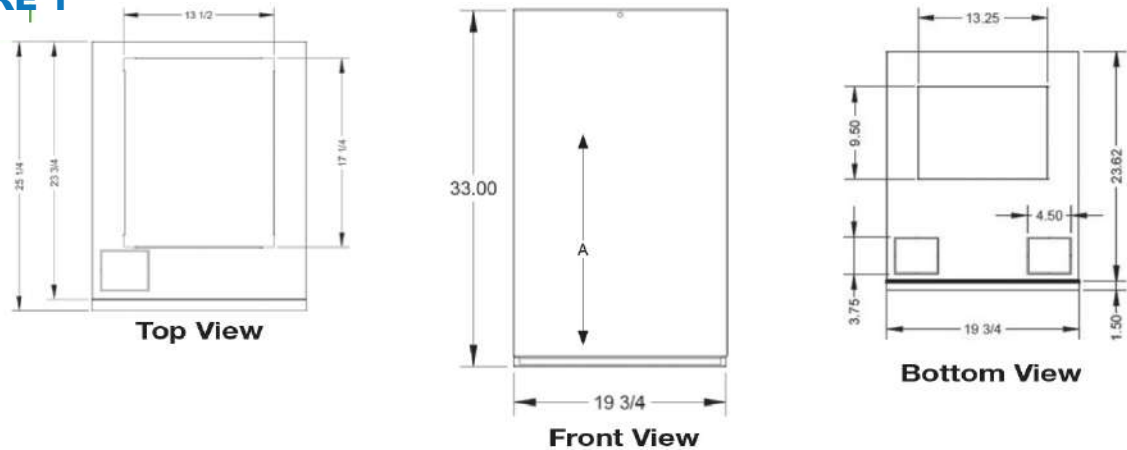
ELECTRIC HEAT KIT NOMENCLATURE			
F	C	L	03
ELECTRIC HEAT	<b><u>INTERRUPTION</u></b> C = CIRCUIT BREAKER T = TERMINAL BLOCK	<b><u>CABINET SIZE &amp; NOM. TONNAGE</u></b> L	<b><u>HEAT STRIP</u></b> 00 = 0 KW    10 = 10 KW 03 = 3 KW    15 = 15 KW 05 = 5 KW    20 = 20 KW 08 = 8 KW

In keeping with its commitment to continuous improvement, Aspen Manufacturing reserves the right to make changes without notice and incurring obligation. To stay up-to-date with this product and Aspen's trusted line of coils, air handlers, and more, go to our website. AEN-Spec-2024-03

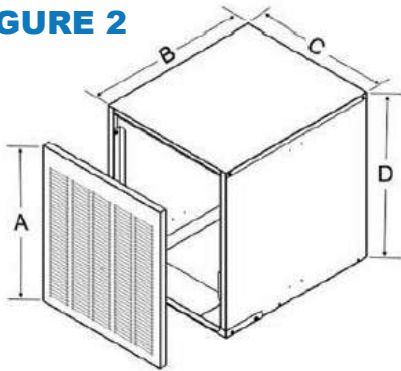
## SHIPPING SPECIFICATIONS (In.) - Figure 1

MODEL	SHIP WEIGHT (LB)	SKID QTY
AEN	85	4

**FIGURE 1**

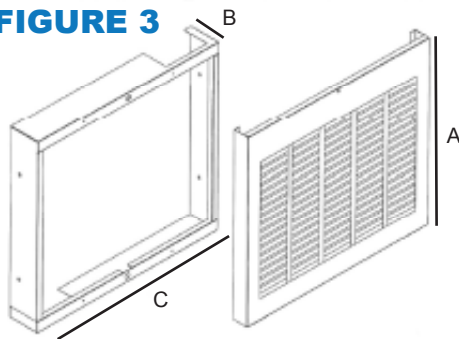


**FIGURE 2**



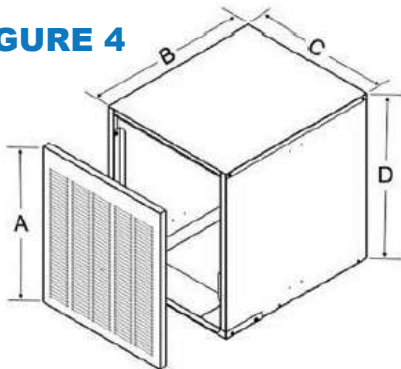
CABINET DIMENSIONS & SPECIFICATIONS (In.) - FIGURE 2					
WHERE USED	PANEL MODEL	OPENING SIZE		PANEL SIZE	
		A	B	C	D
AEN	MAD-01(L)	18	23-1/2	19-3/4	18
AEN	MAD-02(L)	24			24
AEN	MAD-03(L)	36			36

**FIGURE 3**



CABINET DIMENSIONS & SPECIFICATIONS (In.) - FIGURE 3					
WHERE USED	PANEL MODEL	OPENING SIZE		PANEL SIZE	
		A	B	C	D
AEN	MAD-04(L)	24	3	19-3/4	24

**FIGURE 4**



CABINET DIMENSIONS & SPECIFICATIONS (In.) - FIGURE 4					
PANEL MODEL	APPLICATION	A	B	C	D
MAD-07	DOWNFLOW COIL CABINET (FRONT RETURN)	24	23-1/2	19-3/4	24
MAD-08	UPFLOW COIL CABINET (BOTTOM RETURN)				
MAD-09	DOWNFLOW COIL CABINET (TOP RETURN)				

In keeping with its commitment to continuous improvement, Aspen Manufacturing reserves the right to make changes without notice and incurring obligation. To stay up-to-date with this product and Aspen's trusted line of coils, air handlers, and more, go to our website. AEN-Spec-2024-03



# ASPENPRO

## PAW SERIES WALL MOUNT

### ELECTRIC HEAT DX COOL AIR HANDLER

#### FEATURES, BENEFITS, DIMENSIONS, & SPECIFICATIONS



Unit shown with service panels removed. Representative drawing only. Some models may vary in appearance. Due to continuous product improvement, specifications are subject to change without notice.

#### WARRANTY

ONE YEAR LIMITED  
PARTS WARRANTY

#### DIRECT EXPANSION COIL

High efficiency rifled copper tubes/enhanced aluminum fins provide maximum heat transfer. All coils immersion tested at 500 psi then nitrogen pressurized and factory sealed for maximum reliability. Liquid-line Schrader allows pre-installation pressure testing. Available with either check style flowrater or TXV metering device factory installed. Field-installable TXVs are also available. Galvanized metal drain pan with bottom primary and secondary drain connections or alternate right side primary. All connections 3/4" FPT.

#### APPLICATION VERSATILITY

Front or bottom return air position. Offset hanging brackets attach to unit and wall to allow hanging inside closet. Field convertible front and bottom return. Wall hanging bracket included standard.

- ETL listed for use with R-22, R-410A, R-454B, and R-32 when a proper metering device is used.
- In accordance to UL 60335 Refrigerant Detection Systems are factory-installed on A2L refrigerant ready air handlers.

#### MOTOR

Direct drive multi-speed blowers circulate air quietly and efficiently. Two speed motors allow for precise air volume selection. Motor speeds can be easily selected via motor terminals. Blowers mounted on plate so they can be easily removed for service.

#### ELECTRONIC CONTROL BOARD

Electronic circuit board provides 30 secs ON/OFF blower time delay extracting more heat/cool from the coil. Automotive-style pull fuse protection on the circuit board to provide low voltage and transformer protection.

#### LOW LEAKAGE CABINET

Less than 2% air leakage from cabinet when installed in enclosure and tested in accordance with ASHRAE 193. Sturdy, fully insulated galvanized steel cabinet.

#### MODULAR ELECTRIC HEAT KITS

Heat kits available with either circuit breakers or terminal blocks. Available in 0, 3, 5, 8, & 10 KW. Models with electric heat include sequencers and temperature limit switches for safe, efficient operation. Modules are easily installed in the field using molex plugs or can be ordered factory-installed. Controls are accessible from the front for easy service. Electrical connections can be made from the top or left. Disconnect does not protrude through the wall panel. Fan time delay relay standard for increased efficiency.



#### WANT MORE INFORMATION ON THE ASPENPRO PAW SERIES CEILING MOUNT AIR HANDLERS?

SCAN QR CODE TO VISIT THIS PRODUCT ON OUR WEBSITE

*For complete warranty details, please visit our Warranty Information tab when you visit Aspen's website.  
To view this coil's product information online for the most up-to-date information scan the QR Code.*

In keeping with its commitment to continuous improvement. Aspen Manufacturing reserves the right to make changes without notice and incurring obligation. To stay up-to-date with this product and Aspen's trusted line of coils, air handlers, and more, go to our website. AP-PAW-Spec-2025-03

## HEATING/COOLING PERFORMANCE & ELECTRICAL DATA

MODEL	PERFORMANCE DATA						ELECTRICAL DATA					
	NOM. COOLING (BTU)	ELECT. HEAT KIT MODEL	MIN. SPEED TAP	HEATING (KW)		TOT. AMPS (A)		MIN. CIRCUIT AMPACITY (MCA2)		MAX. BREAKER OR FUSE SIZE (MEU2)		
				208V	240V	208V	240V	208V	240V	208V	240V	
PAW 21	18,000	F(C,T)S00	-	0.0	0.0	1.4	1.4	1.8	1.8	15A	15A	
		F(C,T)S03	LO	2.3	3.0	12.2	13.9	15.3	17.4	20A	20A	
		F(C,T)S05	LO	3.6	4.8	18.7	21.4	23.4	26.8	25A	30A	
		F(C,T)S06	HI	4.5	6.0	23.0	26.4	28.8	33.0	30A	35A	
		F(C,T)S08	HI	6.0	8.0	30.2	34.7	37.8	43.4	40A	45A	
		F(C,T)S10	HI	7.2	9.6	36.0	41.4	45.0	51.8	45A	60A	
PAW 22	24,000	F(C,T)S00	-	0.0	0.0	1.4	1.4	1.8	1.8	15A	15A	
		F(C,T)S03	LO	2.3	3.0	12.2	13.9	15.3	17.4	20A	20A	
		F(C,T)S05	LO	3.6	4.8	18.7	21.4	23.4	26.8	25A	30A	
		F(C,T)S06	HI	4.5	6.0	23.0	26.4	28.8	33.0	30A	35A	
		F(C,T)S08	HI	6.0	8.0	30.2	34.7	37.8	43.4	40A	45A	
		F(C,T)S10	HI	7.2	9.6	36.0	41.4	45.0	51.8	45A	60A	
PAW 27/28	24,000	F(C,T)S00	-	0.0	0.0	1.4	1.4	1.8	1.8	15A	15A	
		F(C,T)S03	LO	2.3	3.0	12.2	13.9	15.3	17.4	20A	20A	
		F(C,T)S05	LO	3.6	4.8	18.7	21.4	23.4	26.8	25A	30A	
		F(C,T)S06	HI	4.5	6.0	23.0	26.4	28.8	33.0	30A	35A	
		F(C,T)S08	HI	6.0	8.0	30.2	34.7	37.8	43.4	40A	45A	
		F(C,T)S10	HI	7.2	9.6	36.0	41.4	45.0	51.8	45A	60A	
PAW 29	30,000	F(C,T)M00	-	0.0	0.0	2.6	2.6	3.3	3.3	15A	15A	
		F(C,T)M03	LO	2.3	3.0	13.4	15.1	16.8	18.9	20A	20A	
		F(C,T)M05	LO	3.0	4.8	19.9	22.6	24.9	28.3	25A	30A	
		F(C,T)M06	HI	4.5	6.0	24.2	27.6	30.3	34.5	35A	35A	
		F(C,T)M08	HI	6.0	8.0	31.4	35.9	39.3	44.9	40A	45A	
		F(C,T)M10	HI	7.2	9.6	37.2	42.6	46.5	53.3	50A	60A	
PAW 32/33/34	30,000	F(C,T)M00	-	0.0	0.0	2.6	2.6	3.3	3.3	15A	15A	
		F(C,T)M03	LO	2.3	3.0	13.4	15.1	16.8	18.9	20A	20A	
		F(C,T)M05	LO	3.0	4.8	19.9	22.6	24.9	28.3	25A	30A	
		F(C,T)M06	LO	4.5	6.0	24.2	27.6	30.3	34.5	35A	35A	
		F(C,T)M08	LO	6.0	8.0	31.4	35.9	39.3	44.9	40A	45A	
		F(C,T)M10	LO	7.2	9.6	37.2	42.6	46.5	53.3	50A	60A	
PAW 35	30,000	F(C,T)M00	-	0.0	0.0	2.6	2.6	3.3	3.3	15A	15A	
		F(C,T)M03	LO	2.3	3.0	13.4	15.1	16.8	18.9	20A	20A	
		F(C,T)M05	LO	3.0	4.8	19.9	22.6	24.9	28.3	25A	30A	
		F(C,T)M06	HI	4.5	6.0	24.2	27.6	30.3	34.5	35A	35A	
		F(C,T)M08	HI	6.0	8.0	31.4	35.9	39.3	44.9	40A	45A	
		F(C,T)M10	HI	7.2	9.6	37.2	42.6	46.5	53.3	50A	60A	

In keeping with its commitment to continuous improvement, Aspen Manufacturing reserves the right to make changes without notice and incurring obligation. To stay up-to-date with this product and Aspen's trusted line of coils, air handlers, and more, go to our website. AP-PAW-Spec-2025-03



**HEATING/COOLING PERFORMANCE & ELECTRICAL DATA**

MODEL	NOM. COOLING (BTU)	HEAT KIT	PERFORMANCE DATA				ELECTRICAL DATA				
			MIN. SPEED TAP	HEATING (KW)		HEATING (KBTUH)		MIN. CIRCUIT AMPACITY (MCA)		MAX. BREAKER OR FUSE SIZE	
				208V	240V	208V	240V	208V	240V	208V	240V
PAW 38	36,000	F(C,T)M00	-	0.0	0.0	2.6	2.6	3.3	3.3	15A	15A
		F(C,T)M03	LO	2.3	3.0	13.4	15.1	16.8	18.9	20A	20A
		F(C,T)M05	LO	3.0	4.8	19.9	22.6	24.9	28.3	25A	30A
		F(C,T)M06	HI	4.5	6.0	24.2	27.6	30.3	34.5	35A	35A
		F(C,T)M08	HI	6.0	8.0	31.4	35.9	39.3	44.9	40A	45A
		F(C,T)M10	HI	7.2	9.6	37.2	42.6	46.5	53.3	50A	60A

**PAW BLOWER DATA**

MODEL	SPEED TAP	MOTOR			CFM VS. EXTERNAL STATIC*† (DRY COIL)							
		HP	FLA	VOLT.	0.10	0.20	0.30	0.40	0.50			
PAW 21	LOW	1/5	1.4	240V	840	795	750	690	620			
	HIGH				930	890	825	750	680			
PAW 22	LOW				730	695	675	640	600			
	HIGH				910	850	800	750	695			
PAW 27	LOW				840	795	750	690	620			
	HIGH				930	890	825	750	680			
PAW 28	LOW				730	695	675	640	600			
	HIGH				910	850	800	750	695			
PAW 29	LOW				1/3	2.6	240V	740	675	650	630	600
	HIGH							930	850	815	770	725
PAW 32	LOW							740	675	650	630	600
	HIGH							930	850	815	770	725
PAW 33	LOW	740	675	650				630	600			
	HIGH	930	850	815				770	725			
PAW 34	LOW	1125	1075	1050				1030	1000			
	HIGH	1375	1275	1250				1200	1175			
PAW 35	LOW	1150	1075	1050				980	900			
	HIGH	1250	1185	1100				1050	980			
PAW 38	LOW	1125	1075	1050				1030	1000			
	HIGH	1375	1275	1250				1200	1175			

**AIR HANDLER CHASSIS NOMENCLATURE**

PAW	21	4	-000
PAW = 240V (PSC)	NOMINAL TONNAGE (MBTUH)	<b>A1 METERING DEVICE</b> <b>4</b> = R410A (TXV NON-BLEED A/C or H/P) <b>F</b> = R22 (PISTON) <b>X</b> = R22 (TXV NON-BLEED A/C or H/P) <b>G</b> = R410A (PISTON) <b>B</b> = R22 (TXV 20% BLEED A/C or H/P)	OPTION CODE
		<b>A2L METERING DEVICE</b> <b>J</b> = R454B (TXV NON-BLEED A/C or H/P) <b>M</b> = R32 (PISTON) <b>K</b> = R454B (TXV 20% BLEED A/C or H/P) <b>N</b> = R454B (PISTON) <b>D</b> = R32 (TXV NON-BLEED A/C or H/P)	

In keeping with its commitment to continuous improvement, Aspen Manufacturing reserves the right to make changes without notice and incurring obligation. To stay up-to-date with this product and Aspen's trusted line of coils, air handlers, and more, go to our website. AP-PAW-Spec-2025-03

**ELECTRIC HEAT NOMENCLATURE**

F	C	S	10	P
ELECTRIC HEAT	<b>INTERRUPTION</b> C = CIRCUIT BREAKER T = TERMINAL BLOCK	<b>CABINET SIZE &amp; NOM. TONNAGE</b> M = MEDIUM CABINET (29/32/33/34/35/38) S = SMALL CABINET (21/22/27/28)	<b>HEAT STRIP</b> 00 = 0 KW    06 = 6 KW 03 = 3 KW    08 = 8 KW 05 = 5 KW    10 = 10 KW	<b>MOTOR</b> P = PSC

**ACCESS DOOR**

**VERSATILITY**

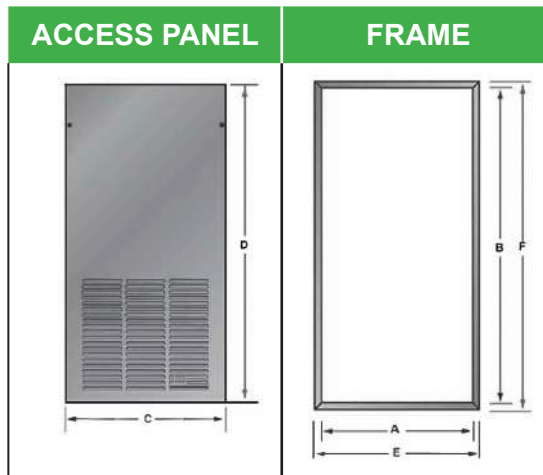
Equipped with hidden frame feature. Fastens to the outside wall surface and does not have to perfectly match the hole opening. Frame screws are not visible after installation. Available in either solid (S) or louvered (L) style.

**MATERIALS**

Galvanized steel construction with smooth powder paint finish.

**FILTER**

20" x 20" x 1" field supplied.



**CABINET INSTALLATION CLEARANCES (In.)**

CLEARANCE AREA	OPERATION	SERVICE
TOP	0	0
FRONT		30"
SIDES		0
REAR		0

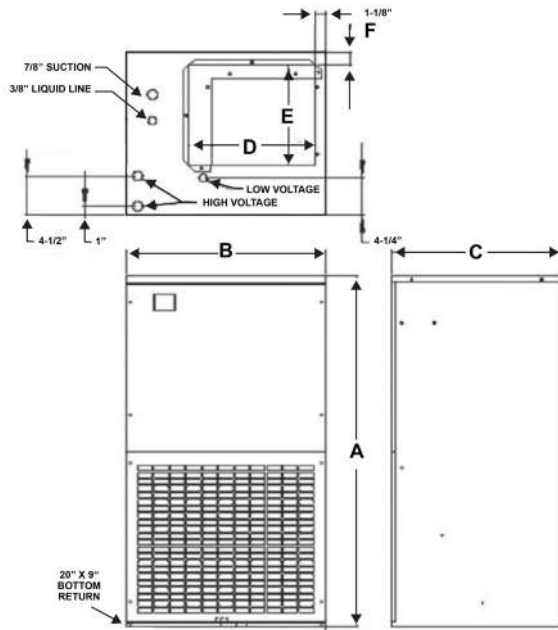
**ACCESS DOOR DIMENSIONS (In.)**

PANEL MODEL	FOR USE WITH	FINISH	OPENING SIZE		PANEL SIZE		FRAME SIZE		FILTERS (QTY)
			A	B	C	D	E	F	
WAD-7(S/L)	PAW 22/28	Embossed	22-1/4	39-1/2	24-1/4	41-1/2	24-1/8	41-3/8	1
WAD-8(S/L)	PAW 32/33/34/38	Embossed	22-1/4	42-1/2	24-1/4	44-1/2	24-1/8	44-3/8	
WAD-18(S/L)	PAW 22/28	Smooth	22-1/4	39-1/2	24-1/4	41-1/2	24-1/8	41-3/8	
WAD-19(S/L)	PAW 32/33/34/38	Smooth	22-1/4	42-1/2	24-1/4	44-1/2	24-1/8	44-3/8	
WAD-20(S/L)	PAW 21/27	Embossed	20-3/4	38	22-3/4	40	22-5/8	39-7/8	
WAD-21(S/L)	PAW 29/35	Embossed	24-1/4	38	26-1/4	40	26-1/8	39-7/8	
WAD-22(S/L)	PAW 21/27	Smooth	20-3/4	38	22-3/4	40	22-5/8	39-7/8	
WAD-23(S/L)	PAW 29/35	Smooth	24-1/4	38	26-1/4	40	26-1/8	39-7/8	

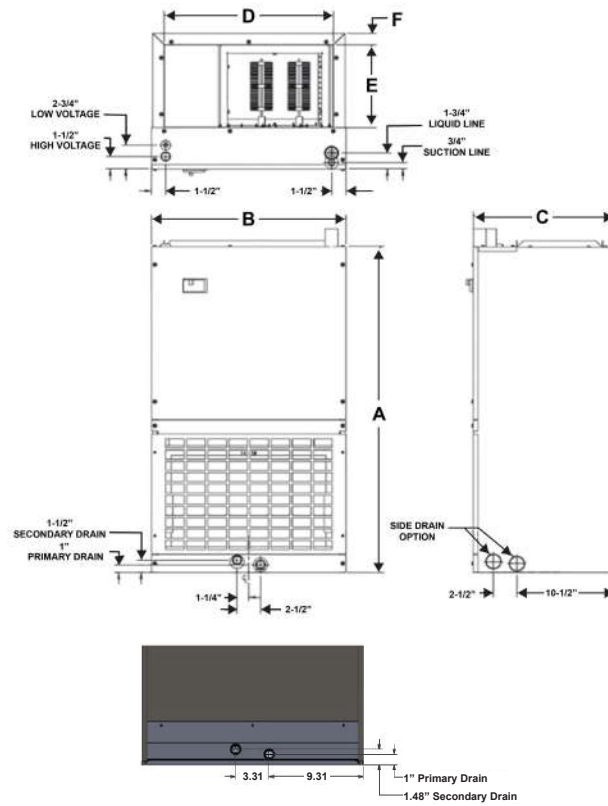
In keeping with its commitment to continuous improvement, Aspen Manufacturing reserves the right to make changes without notice and incurring obligation. To stay up-to-date with this product and Aspen's trusted line of coils, air handlers, and more, go to our website. AP-PAW-Spec-2025-03

**FIGURE 1**

**PAW 22/28/32/33/34/38**



**PAW 21/27/29/35**



**CHASSIS DIMENSIONS (In.) - FIGURE 1**

MODEL	A	B	C	D	E	F	FILTER SIZE	SHIP WEIGHT (LBS)	SKID QTY
PAW 21	36 [915]	20-1/2 [521]	15 [381]	18 [457]	9-1/4 [235]	1-1/4 [32]	14X18	80	4
PAW 22/28	37-1/2 [953]	22 [559]	18-3/4 [476]	14 [356]	10 [254]	3-1/4 [83]	18X20	90	
PAW 27	36 [915]	20-1/2 [521]	15 [381]	18 [457]	9-1/4 [235]	1-1/4 [32]	14X18	80	
PAW 32/33/34	40-1/2 [1029]	22 [559]	18-3/4 [476]	14 [356]	11-1/2 [292]	1-3/8 [35]	20X20	102	
PAW 29/35	36 [915]	24 [610]	21 [533]	21-1/2 [546]	12 [305]	1-1/4 [32]	14X18	90	
PAW 38	40-1/2 [1029]	22 [559]	18-3/4 [476]	14 [356]	11-1/2 [292]	1-3/8 [35]	20X20	102	

In keeping with its commitment to continuous improvement, Aspen Manufacturing reserves the right to make changes without notice and incurring obligation. To stay up-to-date with this product and Aspen's trusted line of coils, air handlers, and more, go to our website. AP-PAW-Spec-2025-03



# ASPENPRO HIGH-EFFICIENCY VERTICAL PEW SERIES WALL MOUNT ELECTRIC HEAT DX COOL AIR HANDLER

## FEATURES, BENEFITS, DIMENSIONS, & SPECIFICATIONS



Unit shown with service panels removed. Representative drawing only. Some models may vary in appearance. Due to continuous product improvement, specifications are subject to change without notice.

### WARRANTY

ONE YEAR LIMITED PARTS WARRANTY

### APPLICATION VERSATILITY

Front or bottom return air position. Offset hanging brackets attach to unit and wall to allow hanging inside closet. Can be DOE matched with most brands of air conditioners or heat pumps. Field convertible front and bottom return. Wall hanging bracket included standard.

- ETL listed for use with R-22, R-410A, R-454B, and R-32 when a proper metering device is used.
- In accordance with UL 60335 Refrigerant Detection Systems are factory-installed on A2L refrigerant ready air handlers.

### MOTOR

Constant torque ECM speeds and torques are controlled by software embedded in the motor to maintain constant torque. Motors are pre-programmed at the factory.

### ELECTRONIC CONTROL BOARD

Electronic circuit board provides 30 secs ON/OFF blower time delay extracting more heat/cool from the coil. Automotive-style pull fuse protection on the circuit board to provide low voltage and transformer protection.

### LOW LEAKAGE CABINET

Less than 2% air leakage from cabinet when installed in enclosure and tested in accordance with ASHRAE 193. Sturdy, fully insulated galvanized steel cabinet.

### MODULAR ELECTRIC HEAT KITS

Heat kits available with either circuit breakers or terminal blocks. Available in 3, 5, 8, & 10 KW. Models with electric heat include sequencers and temperature limit switches for safe, efficient operation. Modules are easily installed in the field using molex plugs or can be ordered factory-installed. Controls are accessible from the front for easy service. Electrical connections can be made from the top or left. Disconnect does not protrude through the wall panel. Fan time delay relay standard for increased efficiency.

### DIRECT EXPANSION COIL

High efficiency rifled copper tubes/enhanced aluminum fins provide maximum heat transfer. All coils immersion tested at 500 psi then nitrogen-pressurized and factory sealed for maximum reliability. Liquid-line Schrader allows pre-installation pressure testing. Available with either check style flowrater or TXV metering device factory installed. Field-installable TXVs are also available. Galvanized metal drain pan with bottom primary and secondary drain connections or alternate right side primary. All connections 3/4" FPT. Access door allows for coil cleaning.



## WANT MORE INFORMATION ON THE ASPENPRO PEW SERIES VERTICAL WALL MOUNT AIR HANDLERS?

SCAN QR CODE TO VISIT THIS PRODUCT ON OUR WEBSITE

*For complete warranty details, please visit our Warranty Information tab when you visit Aspen's website. To view this coil's product information online for the most up-to-date information scan the QR Code.*

In keeping with its commitment to continuous improvement. Aspen Manufacturing reserves the right to make changes without notice and incurring obligation. To stay up-to-date with this product and Aspen's trusted line of coils, air handlers, and more, go to our website. AP-PEW-Spec-2025-03

## HEATING/COOLING PERFORMANCE & ELECTRICAL DATA

MODEL	PERFORMANCE DATA						ELECTRICAL DATA				
	NOM. COOLING (BTU)	ELECT. HEAT KIT MODEL	MIN. SPEED TAP	HEATING (KW)		TOT. AMPS (A)		MIN. CIRCUIT AMPACITY (MCA2)		MAX. BREAKER OR FUSE SIZE (MEU2)	
				208V	240V	208V	240V	208V	240V	208V	240V
PEW 21	18,000	F(C,T)S00	-	0.0	0.0	2.8	2.8	3.5	3.5	15A	15A
		F(C,T)S03	T2	2.3	3.0	13.6	15.3	17.0	19.1	20A	20A
		F(C,T)S05	T2	3.6	4.8	20.1	22.8	25.1	28.5	30A	30A
		F(C,T)S06	T4	4.5	6.0	24.4	27.8	30.5	34.8	35A	35A
		F(C,T)S08	T4	6.0	8.0	31.6	36.1	39.6	45.2	40A	50A
		F(C,T)S10	T4	7.2	9.6	37.4	42.8	46.8	53.5	50A	60A
PEW 22	24,000	F(C,T)S00	-	0.0	0.0	2.8	2.8	3.5	3.5	15A	15A
		F(C,T)S03	T4	2.3	3.0	13.6	15.3	17.0	19.1	20A	20A
		F(C,T)S05	T4	3.6	4.8	20.1	22.8	25.1	28.5	30A	30A
		F(C,T)S06	T4	4.5	6.0	24.4	27.8	30.5	34.8	35A	35A
		F(C,T)S08	T5	6.0	8.0	31.6	36.1	39.6	45.2	40A	50A
		F(C,T)S10	T5	7.2	9.6	37.4	42.8	46.8	53.5	50A	60A
PEW 28	24,000	F(C,T)S00	-	0.0	0.0	2.8	2.8	3.5	3.5	15A	15A
		F(C,T)S03	T4	2.3	3.0	13.6	15.3	17.0	19.1	20A	20A
		F(C,T)S05	T4	3.6	4.8	20.1	22.8	25.1	28.5	30A	30A
		F(C,T)S06	T4	4.5	6.0	24.4	27.8	30.5	34.8	35A	35A
		F(C,T)S08	T5	6.0	8.0	31.6	36.1	39.6	45.2	40A	50A
		F(C,T)S10	T5	7.2	9.6	37.4	42.8	46.8	53.5	50A	60A
PEW 29	24,000	F(C,T)S00	-	0.0	0.0	2.8	2.8	3.5	3.5	15A	15A
		F(C,T)S03	T4	2.3	3.0	13.6	15.3	17.0	19.1	20A	20A
		F(C,T)S05	T4	3.6	4.8	20.1	22.8	25.1	28.5	30A	30A
		F(C,T)S06	T4	4.5	6.0	24.4	27.8	30.5	34.8	35A	35A
		F(C,T)S08	T5	6.0	8.0	31.6	36.1	39.6	45.2	40A	50A
		F(C,T)S10	T5	7.2	9.6	37.4	42.8	46.8	53.5	50A	60A
PEW 33	30,000	F(C,T)M00	-	0.0	0.0	4.1	4.1	5.1	5.1	15A	15A
		F(C,T)M03	T2	2.3	3.0	14.9	16.6	18.6	20.8	20A	25A
		F(C,T)M05	T2	3.6	4.8	21.4	24.1	26.8	30.1	30A	35A
		F(C,T)M06	T3	4.5	6.0	25.7	29.1	32.2	36.4	35A	40A
		F(C,T)M08	T3	3.0	8.0	32.9	37.4	41.2	46.8	45A	50A
		F(C,T)M10	T3	7.2	9.6	38.7	44.1	48.4	55.1	50A	60A
PEW 34	30,000	F(C,T)M00	-	0.0	0.0	4.1	4.1	5.1	5.1	15A	15A
		F(C,T)M03	T2	2.3	3.0	14.9	16.6	18.6	20.8	20A	25A
		F(C,T)M05	T2	3.6	4.8	21.4	24.1	26.8	30.1	30A	35A
		F(C,T)M06	T3	4.5	6.0	25.7	29.1	32.2	36.4	35A	40A
		F(C,T)M08	T3	3.0	8.0	32.9	37.4	41.2	46.8	45A	50A
		F(C,T)M10	T3	7.2	9.6	38.7	44.1	48.4	55.1	50A	60A
PEW 38	36,000	F(C,T)M00	-	0.0	0.0	4.1	4.1	5.1	5.1	15A	15A
		F(C,T)M03	T4	2.3	3.0	14.9	16.6	18.6	20.8	20A	25A
		F(C,T)M05	T4	3.6	4.8	21.4	24.1	26.8	30.1	30A	35A
		F(C,T)M06	T5	4.5	6.0	25.7	29.1	32.2	36.4	35A	40A
		F(C,T)M08	T5	3.0	8.0	32.9	37.4	41.2	46.8	45A	50A
		F(C,T)M10	T5	7.2	9.6	38.7	44.1	48.4	55.1	50A	60A

In keeping with its commitment to continuous improvement, Aspen Manufacturing reserves the right to make changes without notice and incurring obligation. To stay up-to-date with this product and Aspen's trusted line of coils, air handlers, and more, go to our website. AP-PEW-Spec-2025-03





PEW BLOWER DATA									
MODEL	SPEED TAP	MOTOR			CFM VS. EXTERNAL STATIC*† (DRY COIL)				
		HP	FLA	VOLT.	0.10	0.20	0.30	0.40	0.50
PEW 21	T1	1/3	2.8	240V	655	630	605	580	560
	T2				785	765	735	715	685
	T3				860	835	805	775	745
	T4				960	935	910	885	860
	T5				1045	1015	995	975	950
PEW 22	T1				909	864	840	800	782
	T2				723	690	652	631	600
	T3				600	565	539	502	480
	T4				723	690	652	631	600
	T5				909	864	840	800	782
PEW 28	T1				909	864	840	800	782
	T2				723	690	652	631	600
	T3				600	565	539	502	480
	T4				723	690	652	631	600
	T5				909	864	840	800	782
PEW 29	T1	909	864	840	800	782			
	T2	723	690	652	631	600			
	T3	600	565	539	502	480			
	T4	723	690	652	631	600			
	T5	909	864	840	800	782			
PEW 33	T1	1365	1332	1303	1271	1240			
	T2	745	698	668	630	600			
	T3	898	873	853	827	800			
	T4	1174	1132	1106	1078	1047			
	T5	1365	1332	1303	1271	1240			
PEW 34	T1	1365	1332	1303	1271	1240			
	T2	745	698	668	630	600			
	T3	898	873	853	827	800			
	T4	1174	1132	1106	1078	1047			
	T5	1365	1332	1303	1271	1240			
PEW 38	T1	1365	1332	1303	1271	1240			
	T2	745	698	668	630	600			
	T3	898	873	853	827	800			
	T4	1174	1132	1106	1078	1047			
	T5	1365	1332	1303	1271	1240			

In keeping with its commitment to continuous improvement, Aspen Manufacturing reserves the right to make changes without notice and incurring obligation. To stay up-to-date with this product and Aspen's trusted line of coils, air handlers, and more, go to our website. AP-PEW-Spec-2025-03





AIR HANDLER CHASSIS NOMENCLATURE			
PEW	21	J	-000
PEW = 240V (ECM)	NOMINAL TONNAGE (MBTUH)	<b>A1 METERING DEVICE</b> <b>4</b> = Non-bleed A/C or H/P R410 TXV <b>F</b> = R-22 Flo-rater <b>B</b> = 20% bleed A/C or H/P R22 TXV <b>G</b> = R410 Flo-rater <b>X</b> = Non-bleed A/C or H/P R22 TXV	OPTION CODE
		<b>A2L METERING DEVICE</b> <b>D</b> = Non-bleed A/C or H/P R32 TXV <b>M</b> = R32 piston <b>J</b> = Non-bleed A/C or H/P R454B TXV <b>N</b> = R454B piston <b>K</b> = 20% bleed A/C or H/P R454B TXV	

ELECTRIC HEAT NOMENCLATURE			
F	C	S	10
ELECTRIC HEAT	<b>INTERRUPTION</b> <b>C</b> = CIRCUIT BREAKER <b>T</b> = TERMINAL BLOCK	<b>M</b> = MEDIUM CABINET (33/34/38) <b>S</b> = SMALL CABINET (21/22/28/29)	<b>HEAT STRIP</b> 00 = 0 KW    06 = 6 KW 03 = 3 KW    08 = 8 KW 05 = 5 KW    10 = 10 KW

## ACCESS DOOR

### VERSATILITY

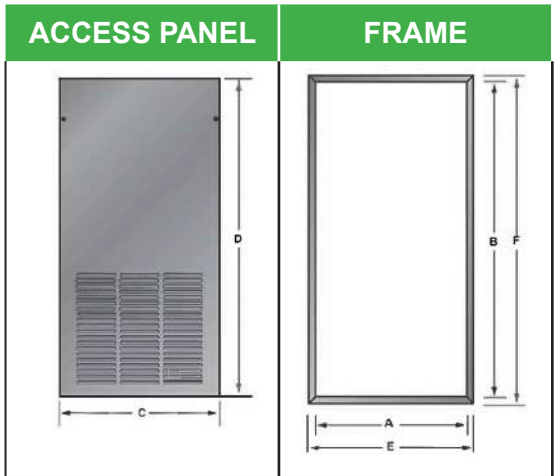
Equipped with hidden frame feature. Fastens to the outside wall surface and does not have to perfectly match the hole opening. Frame screws are not visible after installation. Available in either solid (S) or louvered (L) style.

### MATERIALS

Galvanized steel construction with smooth powder paint finish.

### FILTER

20" x 20" x 1" field supplied.



### CABINET INSTALLATION CLEARANCES (In.)

CLEARANCE AREA	OPERATION	SERVICE
TOP	0	0
FRONT		30"
SIDES		0
REAR		0

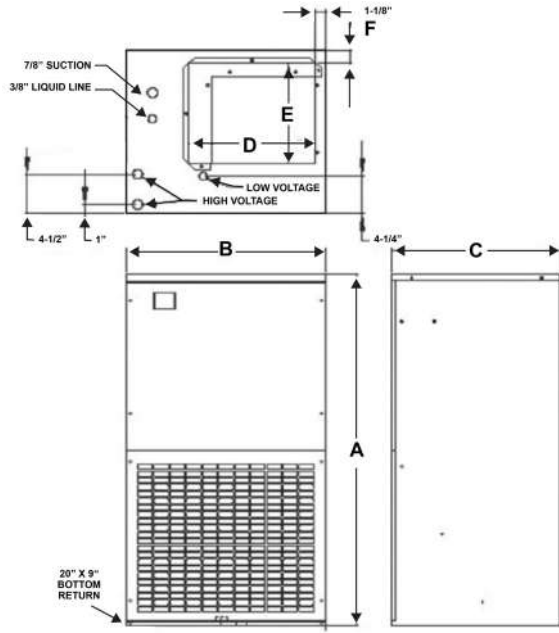
### ACCESS DOOR DIMENSIONS (In.)

PANEL MODEL	FOR USE WITH	FINISH	OPENING SIZE		PANEL SIZE		FRAME SIZE		FILTERS (QTY)
			A	B	C	D	E	F	
WAD-7(S/L)	PEW 22/28/29	Embossed	22-1/4	39-1/2	24-1/4	41-1/2	24-1/8	41-3/8	1
WAD-8(S/L)	PEW 33/34/38	Embossed	22-1/4	42-1/2	24-1/4	44-1/2	24-1/8	44-3/8	
WAD-18(S/L)	PEW 22/28/29	Smooth	22-1/4	39-1/2	24-1/4	41-1/2	24-1/8	41-3/8	
WAD-19(S/L)	PEW 33/34/38	Smooth	22-1/4	42-1/2	24-1/4	44-1/2	24-1/8	44-3/8	
WAD-20(S/L)	PEW 21	Embossed	20-3/4	38	22-3/4	40	22-5/8	39-7/8	
WAD-22(S/L)	PEW 21	Smooth	20-3/4	38	22-3/4	40	22-5/8	39-7/8	

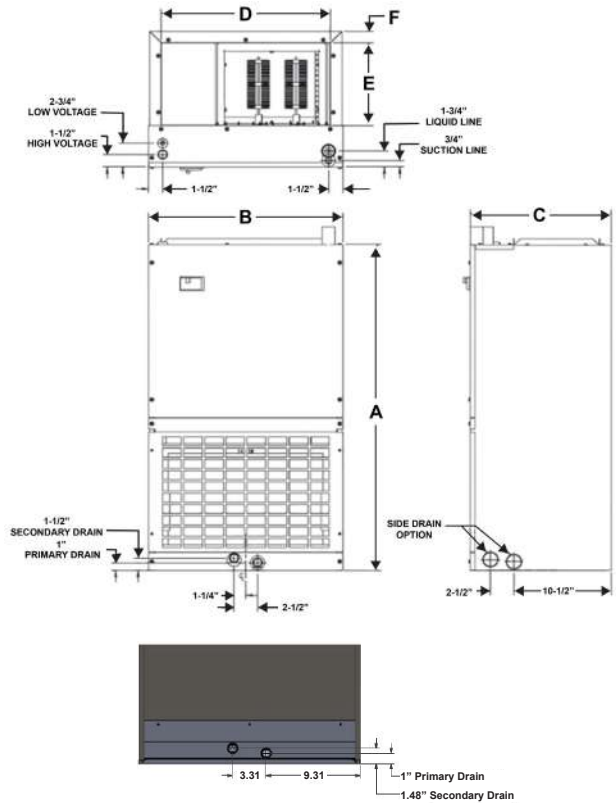
In keeping with its commitment to continuous improvement, Aspen Manufacturing reserves the right to make changes without notice and incurring obligation. To stay up-to-date with this product and Aspen's trusted line of coils, air handlers, and more, go to our website. AP-PEW-Spec-2025-03

FIGURE 1

PEW 22/28/32/33/34/38



PEW 21/27/29/35



CHASSIS DIMENSIONS (In.) - FIGURE 1									
MODEL	A	B	C	D	E	F	FILTER SIZE	SHIP WEIGHT (LBS)	SKID QTY
PEW 21	36 [915]	20-1/2 [521]	15 [381]	18 [457]	9-1/4 [235]	1-1/4 [32]	14X18	80	4
PEW 22/28/29	37-1/2 [953]	22 [559]	18-3/4 [476]	14 [356]	10 [254]	3-1/4 [83]	18X20	90	
PEW 33/34	40-1/2 [1029]	22 [559]	18-3/4 [476]	14 [356]	11-1/2 [292]	1-3/8 [35]	20X20	102	
PEW 38	40-1/2 [1029]	22 [559]	18-3/4 [476]	14 [356]	11-1/2 [292]	1-3/8 [35]	20X20	102	

In keeping with its commitment to continuous improvement, Aspen Manufacturing reserves the right to make changes without notice and incurring obligation. To stay up-to-date with this product and Aspen's trusted line of coils, air handlers, and more, go to our website. AP-PEW-Spec-2025-03



# CASED & UNCASED CEILING MOUNT PES/T SERIES AIR HANDLER ECM ELECTRIC HEAT DX COOL

## FEATURES, BENEFITS, DIMENSIONS, & SPECIFICATIONS



Unit shown with service panels removed. Representative drawing only. Some models may vary in appearance. Due to continuous product improvement, specifications are subject to change without notice.

**WARRANTY**  
**ONE YEAR LIMITED PARTS WARRANTY**

### APPLICATION VERSATILITY

Built in mounting tabs for ceiling or fur-down mounting. Louvered ceiling access panel has separate frame that attaches to ceiling joists. Solid access panel available for use with end return installations. Compatible with most brands of air conditioners or heat pumps.

### MOTOR

Constant torque ECM allows motor speed control with embedded software. Motors are pre-programmed at the factory.

### ELECTRONIC CONTROL BOARD

Electronic circuit board provides 30 secs ON/OFF blower time delay extracting more heat/cool from the coil.

### ELECTRIC HEAT KITS

Heat kits available in 3, 5, 6, 8, & 10 KW. Models with electric heat include sequencers and temperature limit switches for safe, efficient operation. Easily accessible controls for quick service.

### LOW LEAKAGE CABINET

Less than 2% air leakage from cabinet when tested in accordance with ASHRAE standard 193. Unit must be installed according to Aspen installation instructions. Sturdy, fully insulated galvanized steel cabinet with knockout for duct return.

### DIRECT EXPANSION COIL

High efficiency rifled copper tube/enhanced aluminum fins provide maximum heat transfer. All coils immersion tested at 500 psi then nitrogen pressurized and factory sealed for maximum reliability. Liquid-line Schrader allows pre-installation pressure testing. Available with either orifice or TXV metering device factory installed. Field-installable bolt-on TXVs is also available. Primary & secondary condensate drain. All drain connections are 3/4" NPT. Powder-painted metal drain pan. Access door allows for coil cleaning.

- ETL listed for use with R-22, R-410A, R-454B, and R-32 when a proper metering device is used.
- In accordance to UL 60335 Refrigerant Detection Systems are field-installed on A2L refrigerant ready air handlers.



## WANT MORE INFORMATION ON THE ASPENPRO PES/T SERIES CEILING MOUNT AIR HANDLERS?

SCAN QR CODE TO VISIT THIS PRODUCT ON OUR WEBSITE

*For complete warranty details, please visit our Warranty Information tab when you visit Aspen's website. To view this coil's product information online for the most up-to-date information scan the QR Code.*

In keeping with its commitment to continuous improvement. Aspen Manufacturing reserves the right to make changes without notice and incurring obligation. To stay up-to-date with this product and Aspen's trusted line of coils, air handlers, and more, go to our website. AP-PES-PET-Spec-2025-03



PE(S/T) HEATING/COOLING PERFORMANCE & ELECTRICAL DATA											
MODEL	NOM. COOL. (BTU)	ELECTRIC HEAT KIT MODEL	MIN. SPEED TAP	PERFORMANCE DATA				ELECTRICAL DATA			
				HEATING (KW)		TOT. AMPS (A)		MIN. CIRCUIT AMPACITY (MCA2)		MAX. BREAKER OR FUSE SIZE (MFU2)	
				208V	240V	208V	240V	208V	240V	208V	240V
PE(S/T) 23/27	18,000	HTS00	-	0.0	0.0	4.0	4.0	5.0	5.0	15A	15A
		HTS03	T1	2.3	3.0	14.8	16.5	18.5	20.6	20A	25A
		HTS05	T2	3.6	4.8	21.3	24.0	26.6	30.0	30A	30A
		HTS06	T3	4.5	6.0	25.6	29.0	32.0	36.3	35A	40A
		HTS08	T4	6.0	8.0	32.8	37.3	41.1	46.7	45A	50A
		HTS10	T5	7.2	9.6	38.6	44.0	48.3	55.0	50A	60A
PE(S/T) 26/28	24,000	HTS00	-	0.0	0.0	4.0	4.0	5.0	5.0	15A	15A
		HTS03	T1	2.3	3.0	14.8	16.5	18.5	20.6	20A	25A
		HTS05	T2	3.6	4.8	21.3	24.0	26.6	30.0	30A	30A
		HTS06	T3	4.5	6.0	25.6	29.0	32.0	36.3	35A	40A
		HTS08	T4	6.0	8.0	32.8	37.3	41.1	46.7	45A	50A
		HTS10	T5	7.2	9.6	38.6	44.0	48.3	55.0	50A	60A
PE(S/T) 29/33/35	30,000	HTS00	-	0.0	0.0	4.0	4.0	5.0	5.0	15A	15A
		HTS03	T1	2.3	3.0	14.8	16.5	18.5	20.6	20A	25A
		HTS05	T2	3.6	4.8	21.3	24.0	26.6	30.0	30A	30A
		HTS06	T3	4.5	6.0	25.6	29.0	32.0	36.3	35A	40A
		HTS08	T4	6.0	8.0	32.8	37.3	41.1	46.7	45A	50A
		HTS10	T5	7.2	9.6	38.6	44.0	48.3	55.0	50A	60A
PE(S/T) 34/38	36,000	HTS00	-	0.0	0.0	4.0	4.0	5.0	5.0	15A	15A
		HTS03	T1	2.3	3.0	14.8	16.5	18.5	20.6	20A	25A
		HTS05	T2	3.6	4.8	21.3	24.0	26.6	30.0	30A	30A
		HTS06	T3	4.5	6.0	25.6	29.0	32.0	36.3	35A	40A
		HTS08	T4	6.0	8.0	32.8	37.3	41.1	46.7	45A	50A
		HTS10	T5	7.2	9.6	38.6	44.0	48.3	55.0	50A	60A

PE(S/T) BLOWER DATA									
MODEL	SPEED TAP	MOTOR			CFM VS. EXTERNAL STATIC (DRY COIL)				
		HP	FLA	VOLT.	0.10	0.20	0.30	0.40	0.50
PE(S/T) 23/26	TAP 5	1/2	4.0	240V	900	850	805	765	650
	TAP 4				840	805	760	705	595
	TAP 3				805	460	705	665	565
	TAP 2				705	665	615	580	495
	TAP 1				655	605	555	500	425
PE(S/T) 27	TAP 5	1/2	4.0	240V	975	925	875	835	710
	TAP 4				915	865	815	780	660
	TAP 3				865	825	780	730	620
	TAP 2				805	760	695	655	560
	TAP 1				730	675	615	565	480

In keeping with its commitment to continuous improvement, Aspen Manufacturing reserves the right to make changes without notice and incurring obligation. To stay up-to-date with this product and Aspen's trusted line of coils, air handlers, and more, go to our website. AP-PES-PET-Spec-2025-03

**PE(S/T) BLOWER DATA - Continued**

MODEL	SPEED TAP	MOTOR			CFM VS. EXTERNAL STATIC*† (Dry Coil)				
		HP	FLA	VOLT.	0.10	0.20	0.30	0.40	0.50
PE(S/T) 28	T5	1/2	4.0	240V	1180	1130	1070	1015	860
	T4				1115	1060	1015	950	810
	T3				1015	950	900	860	730
	T2				910	850	795	745	630
	T1				815	745	685	640	454
PE(S/T) 29/34	T5				1195	1140	1085	1050	890
	T4				1115	1060	1015	965	820
	T3				1000	950	895	850	725
	T2				920	860	805	745	630
	T1				815	760	700	640	545
PE(S/T) 33	T5				1220	1165	1115	1060	900
	T4				1140	1100	1060	1000	850
	T3				1010	965	910	860	730
	T2				885	860	775	735	625
	T1				815	765	705	665	565
PE(S/T) 35/38	T5				1305	1255	1195	1130	960
	T4				1230	1165	1115	1070	910
	T3				1130	1085	1040	1000	850
	T2				1045	980	935	900	765
	T1				935	885	810	775	650

**PE(S/T) AIR HANDLER CHASSIS NOMENCLATURE (ELECTRIC CEILING MOUNT)**

P	E	S/T	23	4	-000
ASPEN PRO	<b>VOLTAGE</b> 240V ECM MOTOR (CONSTANT TORQUE) ELECTRIC AIR HANDLER	<b>CONFIGUR.</b> S = Uncased Ceiling Mount T = Cased Ceiling Mount	<b>NOMINAL TONNAGE</b> (MBTUH)	<b>A1 METERING DEVICE</b> 4 = R410A (TXV NON-BLEED A/C or H/P) X = R22 (TXV NON-BLEED A/C or H/P) B = R22 (TXV 20% BLEED A/C or H/P) F = R22 (PISTON) G = R410A (PISTON)  <b>A2L METERING DEVICE</b> J = R454B (TXV NON-BLEED A/C or H/P) K = R454B (TXV 20% BLEED A/C or H/P) D = R32 (TXV NON-BLEED A/C or H/P) M = R32 (PISTON) N = R454B (PISTON)	OPTION CODE

**ELECTRIC HEAT NOMENCLATURE**

H	T	S	10
ELECTRIC HEAT	<b>INTERRUPTION</b> T = TERMINAL BLOCK	<b>CABINET SIZE &amp; NOM. TONNAGE</b> S = SMALL CABINET (18-37)	<b>HEAT STRIP</b> 00 = 0 KW    06 = 6 KW 03 = 3 KW    08 = 8 KW 05 = 5 KW    10 = 10 KW

In keeping with its commitment to continuous improvement, Aspen Manufacturing reserves the right to make changes without notice and incurring obligation. To stay up-to-date with this product and Aspen's trusted line of coils, air handlers, and more, go to our website. AP-PES-PET-Spec-2025-03

# ACCESS DOOR

## VERSATILITY

Equipped with hidden frame feature. Fastens to the outside wall surface and does not have to perfectly match the hole opening. Frame screws are not visible after installation. Available in either solid (S) or Louvered (L) style.

## MATERIALS

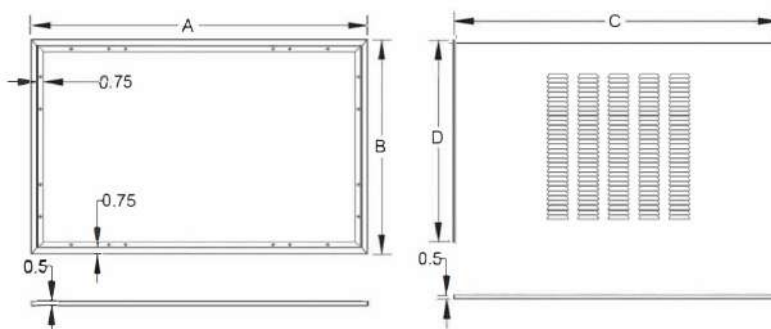
Galvanized steel construction with smooth powder paint finish.

## FILTER

20" x 20" x 1" field supplied.

ACCESS DOOR DIMENSIONS (In.) - FIGURE 1						
PANEL MODEL	FOR USE WITH	A	B	C	D	FILTERS (QTY)
PE(S/T)23/26	GAD-1(S/L)	43-1/2	27-1/2	41-1/2	26	1
PE(S/T)27	GAD-5(S/L)	49-1/2		47-1/2		2
PE(S/T)28/29/34	GAD-2(S/L)	55-1/2		53-1/2		2
PE(S/T)33/35/38	GAD-6(S/L)	63-1/2		61-1/2		2

**FIGURE 1**



CAP KIT PART NUMBER (In.)		
MODEL NUMBER	UNIT MODEL	ENCLOSURE SIZE
PET23/26	CAP-1	40X24X11
PET27	CAP-2	46X24X11
PET28/29/33/34	CAP-3	52X24X11
PET35/38	CAP-4	60X24X11

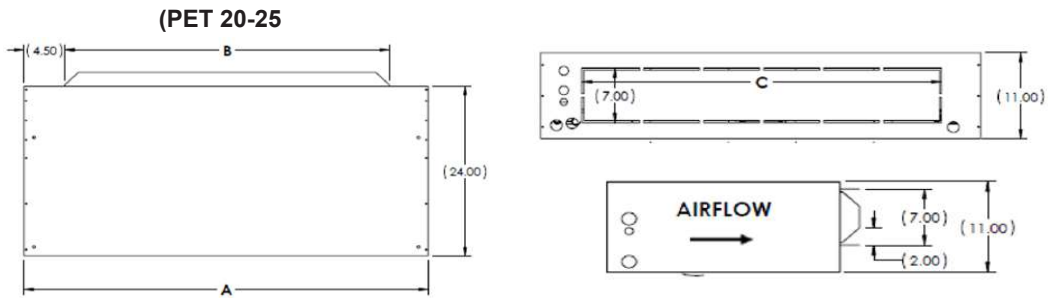
NOTE: CAP kit is an insulated panel that covers the entire bottom opening and is utilized for optional ducted return configuration.

PET SERIES - CHASSIS DIMENSIONS (In.) - FIGURE 2					
UNIT MODEL	A	B	C	WEIGHT (LB)	SKID QTY.
PET23/26	40 [1016]	30 [762]	30 [762]	135	5
PET27	46 [1168]	36 [914]	36 [914]	145	
PET28/29/34	52 [1321]	42 [1067]	42 [1067]	155	
PET33/35/38	60 [1524]	48 [1219]	48 [1219]	175	

In keeping with its commitment to continuous improvement, Aspen Manufacturing reserves the right to make changes without notice and incurring obligation. To stay up-to-date with this product and Aspen's trusted line of coils, air handlers, and more, go to our website. AP-PES-PET-Spec-2025-03



**FIGURE 2**



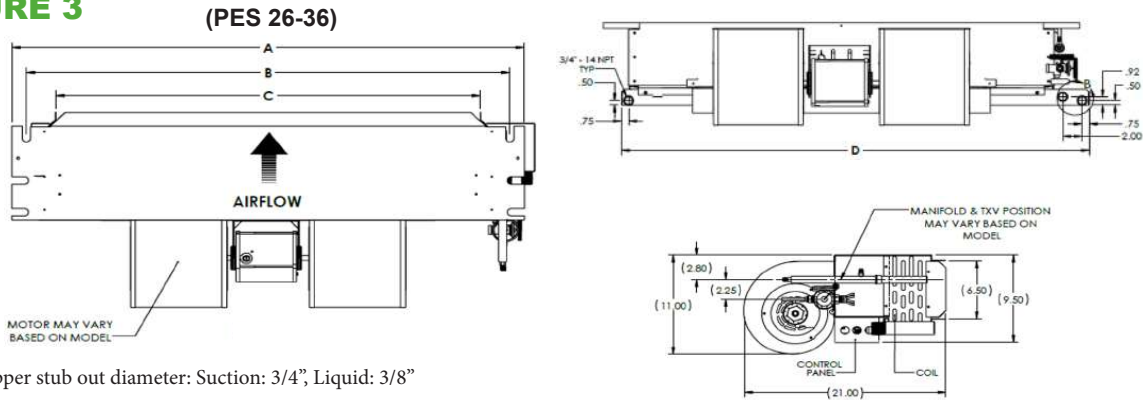
Copper stub out diameter: Suction: 3/4", Liquid: 3/8"

Knockout for ducted return (Ducted return requires remote filter grille (field supplied) and non-louvered panel)

**PES SERIES - ENCLOSURE DIMENSIONS (In.) - FIGURE 3**

UNIT MODEL	A	B	C	WEIGHT (LB)	SKID QTY.
PES23/26	37-1/4	34-5/8	30	135	8
PES27	43-1/4	40-5/8	36	145	5
PES28/29/34	49-1/4	46-5/8	42	155	4
PES33/35/38	56-1/4	53-5/8	48	175	5

**FIGURE 3**



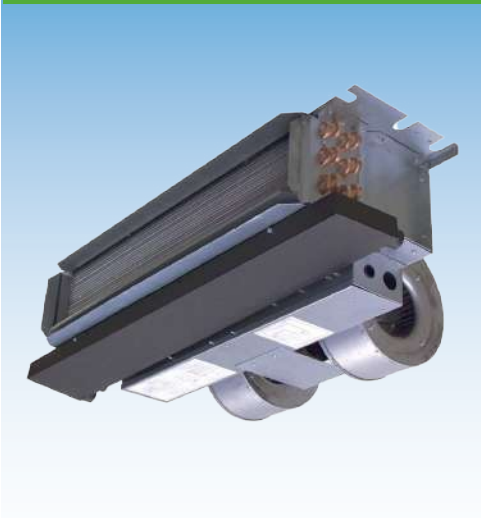
Note: Copper stub out diameter: Suction: 3/4", Liquid: 3/8"

In keeping with its commitment to continuous improvement, Aspen Manufacturing reserves the right to make changes without notice and incurring obligation. To stay up-to-date with this product and Aspen's trusted line of coils, air handlers, and more, go to our website.

AP-PES-PET-Spec-2025-03

# ASPENPRO CASED & UNCASED PAS/T SERIES CEILING MOUNT ELECTRIC HEAT DX COOL AIR HANDLER

## FEATURES, BENEFITS, DIMENSIONS, & SPECIFICATIONS



Unit shown with service panels removed.

Representative drawing only. Some models may vary in appearance. Due to continuous product improvement, specifications are subject to change without notice.

### WARRANTY

ONE YEAR LIMITED  
PARTS WARRANTY

### DIRECT EXPANSION COIL

High efficiency rifled copper tubes/enhanced aluminum fins provide maximum heat transfer. All coils immersion tested at 500 psi then nitrogen pressurized and factory sealed for maximum reliability. Liquid-line Schrader allows pre-installation pressure testing. Available with either orifice or TXV metering device factory installed. Field-installable bolt-on TXVs are also available. Primary & secondary condensate drain. All drain connections are 3/4" MPT. Powder-painted metal drain pan. Access door allows for coil cleaning.

- ETL listed for use with R-22, R-410A, R-454B, and R-32 when a proper metering device is used.
- In accordance to UL 60335 Refrigerant Detection Systems are field-installed on A2L refrigerant ready.

### APPLICATION VERSATILITY

Built in mounting tabs for ceiling or fur-down mounting. Louvered ceiling access panel has separate frame that attaches to ceiling joists. Solid access panel available for use with end return installations. Compatible with most brands of air conditioners or heat pumps.

### MOTOR

Direct drive multi-speed blowers circulate air quietly and efficiently. Two speed motors allow for precise air volume selection. Motor speeds can be easily selected via motor terminals. Blowers mounted on plate so they can be easily removed for service.

### ELECTRONIC CONTROL BOARD

Electronic circuit board provides 30 secs ON/OFF blower time delay extracting more heat/cool from the coil.

### ELECTRIC HEAT KITS

Heat kits available in 3, 5, 6, 8, & 10 KW. Models with electric heat include sequencers and temperature limit switches for safe, efficient operation. Easily accessible controls for quick service.

### LOW LEAKAGE CABINET

Less than 2% air leakage from cabinet when installed in enclosure and tested in accordance with ASHRAE 193.

- **PAS SERIES:** Sturdy, fully insulated galvanized enclosure with ducted return available as option.
- **PAT SERIES:** Sturdy, fully insulated galvanized steel cabinet with knockout for duct return.



## WANT MORE INFORMATION ON THE ASPENPRO PAS/T SERIES CEILING MOUNT AIR HANDLERS?

SCAN QR CODE TO VISIT THIS PRODUCT ON OUR WEBSITE

*For complete warranty details, please visit our Warranty Information tab when you visit Aspen's website.  
To view this coil's product information online for the most up-to-date information scan the QR Code.*

**PA(S/T) SERIES - HEATING/COOLING PERFORMANCE & ELECTRICAL DATA**

MODEL	NOM. COOL. (BTU)	PERFORMANCE DATA						ELECTRICAL DATA			
		ELECT. HEAT KIT MODEL	MIN. SPEED TAP	HEATING (KW)		TOT. AMPS (A)		MIN. CIRCUIT AMPACITY (MCA2)		MAX. BREAKER OR FUSE SIZE (MEU2)	
				208V	240V	208V	240V	208V	240V	208V	240V
PA(S/T) 23	18,000	HTS00P	-	0.0	0.0	1.4	1.4	1.8	1.8	15A	15A
		HTS03P	LO	2.3	3.0	12.2	13.9	15.3	17.4	20A	20A
		HTS05P	LO	3.6	4.8	18.7	21.4	23.4	26.8	25A	30A
		HTS06P	LO	4.5	6.0	23.0	26.4	28.8	33.0	30A	35A
		HTS08P	HI	6.0	8.0	30.2	34.7	37.8	43.4	40A	45A
		HTS10P	HI	7.2	9.6	36.0	41.4	45.0	51.8	45A	60A
PA(S/T) 26/27	24,000	HTS00P	-	0.0	0.0	1.4	1.4	1.8	1.8	15A	15A
		HTS03P	LO	2.3	3.0	12.2	13.9	15.3	17.4	20A	20A
		HTS05P	LO	3.6	4.8	18.7	21.4	23.4	26.8	25A	30A
		HTS06P	LO	4.5	6.0	23.0	26.4	28.8	33.0	30A	35A
		HTS08P	HI	6.0	8.0	30.2	34.7	37.8	43.4	40A	45A
		HTS10P	HI	7.2	9.6	36.0	41.4	45.0	51.8	45A	60A
PA(S/T) 28/29	24,000	HTM00P	-	0.0	0.0	2.15	2.15	2.7	2.7	15A	15A
		HTM03P	LO	2.3	3.0	13.0	14.7	16.2	18.3	20A	20A
		HTM05P	LO	3.6	4.8	19.5	22.2	24.3	27.7	25A	30A
		HTM06P	LO	4.5	6.0	23.8	27.2	29.7	33.9	30A	35A
		HTM08P	HI	60.0	8.0	31.0	35.5	38.7	44.4	40A	45A
		HTM10P	HI	7.2	9.6	36.8	42.2	46.0	52.7	50A	60A
PA(S/T) 31/34/35	30,000	HTM00P	-	0.0	0.0	2.15	2.15	2.7	2.7	15A	15A
		HTM03P	LO	2.3	3.0	13.0	14.7	16.2	18.3	20A	20A
		HTM05P	LO	3.6	4.8	19.5	22.2	24.3	27.7	25A	30A
		HTM06P	LO	4.5	6.0	23.8	27.2	29.7	33.9	30A	35A
		HTM08P	HI	60.0	8.0	31.0	35.5	38.7	44.4	40A	45A
		HTM10P	HI	7.2	9.6	36.8	42.2	46.0	52.7	50A	60A
PA(S/T) 38	36,000	HTM00P	-	0.0	0.0	2.15	2.15	2.7	2.7	15A	15A
		HTM03P	LO	2.3	3.0	13.0	14.7	16.2	18.3	20A	20A
		HTM05P	LO	3.6	4.8	19.5	22.2	24.3	27.7	25A	30A
		HTM06P	LO	4.5	6.0	23.8	27.2	29.7	33.9	30A	35A
		HTM08P	HI	60.0	8.0	31.0	35.5	38.7	44.4	40A	45A
		HTM10P	HI	7.2	9.6	36.8	42.2	46.0	52.7	50A	60A

**PA(S/T) SERIES - BLOWER DATA**

MODEL	SPEED TAP	MOTOR			CFM VS. EXTERNAL STATIC (DRY COIL)									
		HP	FLA	VOLT.	0.10	0.20	0.30	0.40	0.50	0.60	0.70	0.80	0.90	1.00
PA(S/T) 18/19/24	HIGH	1/4	1.4	240V	895	840	780	715	645	540	430	210	190	-
	LOW				750	705	660	610	535	400	320	150	-	-
PA(S/T) 20/25	HIGH	1/4	1.4		1015	955	890	830	755	665	550	325	260	-
	LOW				785	740	700	650	590	505	350	260	100	-

In keeping with its commitment to continuous improvement, Aspen Manufacturing reserves the right to make changes without notice and incurring obligation. To stay up-to-date with this product and Aspen's trusted line of coils, air handlers, and more, go to our website. AP-PAS-PAT-Spec-2025-03



**PA(S/T) SERIES - BLOWER DATA - CONTINUED**

MODEL	SPEED TAP	MOTOR			CFM VS. EXTERNAL STATIC (DRY COIL)									
		HP	FLA	VOLT.	0.10	0.20	0.30	0.40	0.50	0.60	0.70	0.80	0.90	1.00
PA(S/T) 26/31/36	HIGH	1/3	2.15	240V	1035	965	890	810	720	520	445	-	-	-
	LOW				875	810	740	670	580	460	-	-	-	-
PA(S/T) 28/32/37	HIGH	1/3	2.15		1155	1075	1010	930	850	765	675	340	340	-
	LOW				960	900	840	770	700	615	500	210	105	-
PA(S/T) 30	HIGH	1/3	2.15		1130	1055	985	915	835	750	645	515	345	-
	LOW				930	875	820	760	700	620	520	370	115	-

**PA(S/T) AIR HANDLER CHASSIS NOMENCLATURE (ELECTRIC CEILING MOUNT)**

P	A	S/T	23	4/J	-000	
ASPEN PRO	<u>VOLT.</u> 240V PSC MOTOR ELECTRIC AIR HANDLER	<u>CONFIGUR.</u> S = Uncased Ceiling Mount T = Cased Ceiling Mount	<u>NOMINAL TONNAGE</u> (MBTUH)	<b>A1 METERING DEVICE</b> 4 = R410A (TXV NON-BLEED A/C or H/P) X = R22 (TXV NON-BLEED A/C or H/P) B = R22 (TXV 20% BLEED A/C or H/P) F = R22 (PISTON) G = R410A (PISTON)	<b>A2L METERING DEVICE</b> J = R454B (TXV NON-BLEED A/C or H/P) K = R454B (TXV 20% BLEED A/C or H/P) D = R32 (TXV NON-BLEED A/C or H/P) M = R32 (PISTON) N = R454B (PISTON)	OPTION CODE

**ELECTRIC HEAT NOMENCLATURE**

H	T	S	10
ELECTRIC HEAT	<u>INTERRUPTION</u> T = TERMINAL BLOCK	<u>CABINET SIZE &amp; NOM. TONNAGE</u> M = MEDIUM CABINET (18-37) S = SMALL CABINET (18-37)	<u>HEAT STRIP</u> 00 = 0 KW    06 = 6 KW 03 = 3 KW    08 = 8 KW 05 = 5 KW    10 = 10 KW

**ACCESS DOOR**

**VERSATILITY**

Equipped with hidden frame feature. Fastens to the outside wall surface and does not have to perfectly match the hole opening. Frame screws are not visible after installation. Available in either solid (S) or Louvered (L) style.

**MATERIALS**

Galvanized steel construction with smooth powder paint finish.

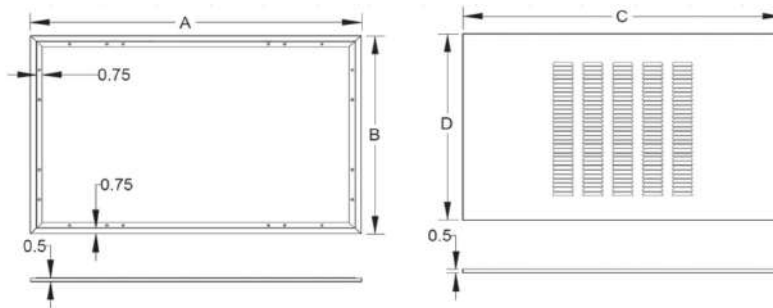
**FILTER**

20" x 20" x 1" field supplied.

**PA(S/T) - ACCESS DOOR DIMENSIONS (In.) - FIGURE 1**

PANEL MODEL	FOR USE WITH	PAT ACCESS DOOR AND FRAME				FILTERS (QTY)
		A	B	C	D	
PA(S/T)23/26	GAD-1(S/L)	43-1/2	27-1/2	41-1/2	26	1
PA(S/T)27	GAD-5(S/L)	49-1/2		47-1/2		2
PA(S/T)28/29/34	GAD-2(S/L)	55-1/2		53-1/2		2
PA(S/T)33/35/38	GAD-6(S/L)	63-1/2		61-1/2		2

**FIGURE 1**



**PAT SERIES - CAP KIT PART NUMBER (In.)**

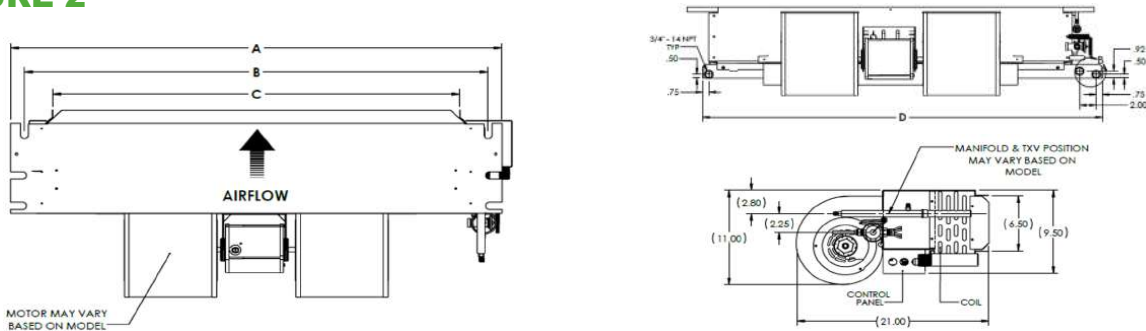
ASPENPRO MODEL	PART NUMBER	ENCLOSURE SIZE
PAT23	CAP-1	40X24X11
PAT27/31	CAP-2	46X24X11
PAT29/34	CAP-3	52X24X11
PAT36/38	CAP-4	60X24X11

NOTE: CAP kit is an insulated panel that covers the entire bottom opening and is utilized for optional ducted return configuration.

**PA(S/T) - CHASSIS DIMENSIONS (In.) - FIGURE 2**

ASPENPRO MODEL	A	B	C	D	WEIGHT (LBS)	SKID QTY
PA(S/T)23/26	37-1/4 [946]	34-5/8 [879]	42 [1060]	36.375 [924]	85	8
PA(S/T)27/31	43-1/4 [1099]	40-5/8 [1032]	36 [914]	42-5/8 [1083]	90	
PA(S/T)28/29/34	49-1/4 [1251]	46-5/8 [1184]	42 [1060]	52 [1321]	100	
PA(S/T)33/35/38	56-1/4 [1429]	53-5/8 [1362]	48 [1219]	54 [1372]	110	

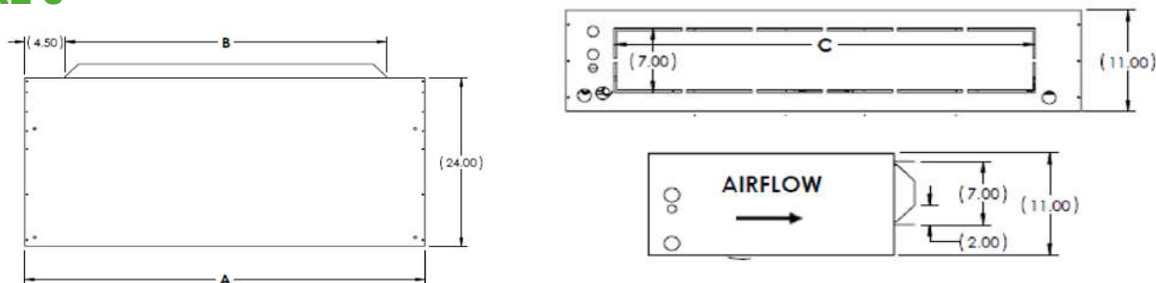
**FIGURE 2**



**PA(S/T) - ENCLOSURE DIMENSIONS (In.) - FIGURE 3**

ASPENPRO MODEL	A	B	C	WEIGHT (LBS)	SKID QTY
PA(S/T)23/26	40 [1016]	30 [762]	30 [762]	125	5
PA(S/T)27/31	46 [1168]	36 [914]	36 [914]	135	
PA(S/T)28/29/34	52 [1321]	42 [1067]	42 [1067]	145	
PA(S/T)33/35/38	60 [1524]	48 [1219]	48 [1219]	155	

**FIGURE 3**

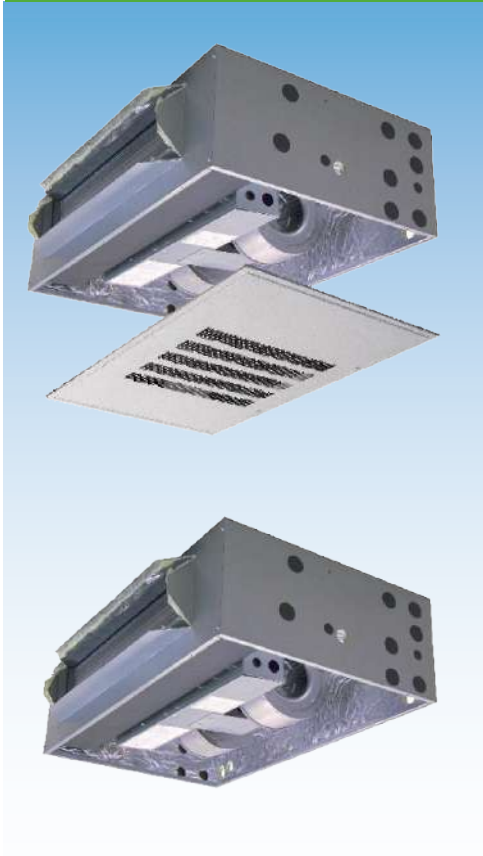


In keeping with its commitment to continuous improvement, Aspen Manufacturing reserves the right to make changes without notice and incurring obligation. To stay up-to-date with this product and Aspen's trusted line of coils, air handlers, and more, go to our website. AP-PAS-PAT-Spec-2025-03

# ASPENPRO CASED & UNCASD CEILING MOUNT RES/T SERIES AIR HANDLER

## ELECTRIC HEAT DX COOL ECM

### FEATURES, BENEFITS, DIMENSIONS, & SPECIFICATIONS



Unit shown with service panels removed.

Representative drawing only. Some models may vary in appearance. Due to continuous product improvement, specifications are subject to change without notice.

### WARRANTY

ONE YEAR LIMITED  
PARTS WARRANTY



### WANT MORE INFORMATION ON THE ASPENPRO RES/T SERIES CEILING MOUNT AIR HANDLERS?

SCAN QR CODE TO VISIT THIS PRODUCT ON OUR WEBSITE

*For complete warranty details, please visit our Warranty Information tab when you visit Aspen's website.  
To view this coil's product information online for the most up-to-date information scan the QR Code.*

#### APPLICATION VERSATILITY

Built in mounting tabs for ceiling or fur-down mounting. Louvered ceiling access panel has separate frame that attaches to ceiling joists. Solid access panel available for use with end return installations. Compatible with most brands of air conditioners or heat pumps.

#### MOTOR

Constant torque ECM allows motor speed control with embedded software. Motors are pre-programmed at the factory.

#### ELECTRONIC CONTROL BOARD

Electronic circuit board provides 30 secs ON/OFF blower time delay extracting more heat/cool from the coil.

#### ELECTRIC HEAT KITS

Heat kits available in 3, 5, 6, 8, & 10 KW. Models with electric heat include sequencers and temperature limit switches for safe, efficient operation. Easily accessible controls for quick service.

#### LOW LEAKAGE CABINET

Less than 2% air leakage from cabinet when tested in accordance with ASHRAE standard 193. Unit must be installed according to Aspen installation instructions. Sturdy, fully insulated galvanized steel cabinet with knockout for duct return.

#### DIRECT EXPANSION COIL

High efficiency rifled copper tube/enhanced aluminum fins provide maximum heat transfer. All coils immersion tested at 500 psi then nitrogen pressurized and factory sealed for maximum reliability. Liquid-line Schrader allows pre-installation pressure testing. Available with either orifice or TXV metering device factory installed. Field-installable bolt-on TXVs is also available. Primary & secondary condensate drain. All drain connections are 3/4" NPT. Powder-painted metal drain pan. Access door allows for coil cleaning.

- ETL listed for use with R-22, R-410A, R-454B, and R-32 when a proper metering device is used.
- In accordance to UL 60335 Refrigerant Detection Systems are field-installed on A2L refrigerant ready air handlers.



**PE(S/T) HEATING/COOLING PERFORMANCE & ELECTRICAL DATA**

MODEL	NOM. COOL. (BTU)	ELECTRIC HEAT KIT MODEL	MIN. SPEED TAP	PERFORMANCE DATA				ELECTRICAL DATA			
				HEATING (KW)		TOT. AMPS (A)		MIN. CIRCUIT AMPACITY (MCA2)		MAX. BREAKER OR FUSE SIZE (MFU2)	
				208V	240V	208V	240V	208V	240V	208V	240V
RE(S/T) 18	18,000	HTS00	-	0.0	0.0	4.0	4.0	5.0	5.0	15A	15A
		HTS03	T1	2.3	3.0	14.8	16.5	18.5	20.6	20A	25A
		HTS05	T2	3.6	4.8	21.3	24.0	26.6	30.0	30A	30A
		HTS06	T3	4.5	6.0	25.6	29.0	32.0	36.3	35A	40A
		HTS08	T4	6.0	8.0	32.8	37.3	41.1	46.7	45A	50A
		HTS10	T5	7.2	9.6	38.6	44.0	48.3	55.0	50A	60A
RE(S/T) 24	24,000	HTS00	-	0.0	0.0	4.0	4.0	5.0	5.0	15A	15A
		HTS03	T1	2.3	3.0	14.8	16.5	18.5	20.6	20A	25A
		HTS05	T2	3.6	4.8	21.3	24.0	26.6	30.0	30A	30A
		HTS06	T3	4.5	6.0	25.6	29.0	32.0	36.3	35A	40A
		HTS08	T4	6.0	8.0	32.8	37.3	41.1	46.7	45A	50A
		HTS10	T5	7.2	9.6	38.6	44.0	48.3	55.0	50A	60A
RE(S/T) 30/36	30,000	HTS00	-	0.0	0.0	4.0	4.0	5.0	5.0	15A	15A
		HTS03	T1	2.3	3.0	14.8	16.5	18.5	20.6	20A	25A
		HTS05	T2	3.6	4.8	21.3	24.0	26.6	30.0	30A	30A
		HTS06	T3	4.5	6.0	25.6	29.0	32.0	36.3	35A	40A
		HTS08	T4	6.0	8.0	32.8	37.3	41.1	46.7	45A	50A
		HTS10	T5	7.2	9.6	38.6	44.0	48.3	55.0	50A	60A

**PE(S/T) BLOWER DATA - CONTINUED**

MODEL	SPEED TAP	MOTOR			CFM VS. EXTERNAL STATIC*† (DRY COIL)				
		HP	FLA	VOLT.	0.10	0.20	0.30	0.40	0.50
RE(S/T) 18	T5	1/2	4.0	240V	900	850	805	765	650
	T4				840	805	760	705	595
	T3				805	460	705	665	565
	T2				705	665	615	580	495
	T1				655	605	555	500	425
RE(S/T) 24/25	T5				975	925	875	835	710
	T4				915	865	815	780	660
	T3				865	825	780	730	620
	T2				805	760	695	655	560
	T1				730	675	615	565	480
RE(S/T) 30/31/36	T5				1195	1140	1085	1050	890
	T4				1115	1060	1015	965	820
	T3				1000	950	895	850	725
	T2				920	860	805	745	630
	T1				815	760	700	640	545

In keeping with its commitment to continuous improvement, Aspen Manufacturing reserves the right to make changes without notice and incurring obligation. To stay up-to-date with this product and Aspen's trusted line of coils, air handlers, and more, go to our website. AP-RES-RET-Spec-2025-03

## RE(S/T) AIR HANDLER CHASSIS NOMENCLATURE (ELECTRIC CEILING MOUNT)

R	E	S/T	18	4	-000
ASPEN PRO	<b>VOLT.</b> 240V ECM MOTOR (CONSTANT TORQUE) ELECTRIC AIR HANDLER	<b>CONFIGUR.</b> S = Uncased Ceiling Mount T = Cased Ceiling Mount	<b>NOMINAL TONNAGE</b> (MBTUH)	<b>A1 METERING DEVICE</b> 4 = R410A (TXV NON-BLEED A/C or H/P) X = R22 (TXV NON-BLEED A/C or H/P) B = R22 (TXV 20% BLEED A/C or H/P) F = R22 (PISTON) G = R410A (PISTON)	OPTION CODE
			<b>A2L METERING DEVICE</b> J = R454B (TXV NON-BLEED A/C or H/P) K = R454B (TXV 20% BLEED A/C or H/P) D = R32 (TXV NON-BLEED A/C or H/P) M = R32 (PISTON) N = R454B (PISTON)		

## ELECTRIC HEAT NOMENCLATURE

H	T	S	10
ELECTRIC HEAT KIT	<b>INTERRUPTION</b> T = TERMINAL BLOCK	<b>CABINET SIZE &amp; NOM. TONNAGE</b> S = SMALL CABINET (18 - 37)	<b>HEAT STRIP</b> 00 = 0 KW    06 = 6 KW 03 = 3 KW    08 = 8 KW 05 = 5 KW    10 = 10 KW

## ACCESS DOOR

### VERSATILITY

Equipped with hidden frame feature. Fastens to the outside wall surface and does not have to perfectly match the hole opening. Frame screws are not visible after installation. Available in either solid (S) or Louvered (L) style.

### MATERIALS

Galvanized steel construction with smooth powder paint finish.

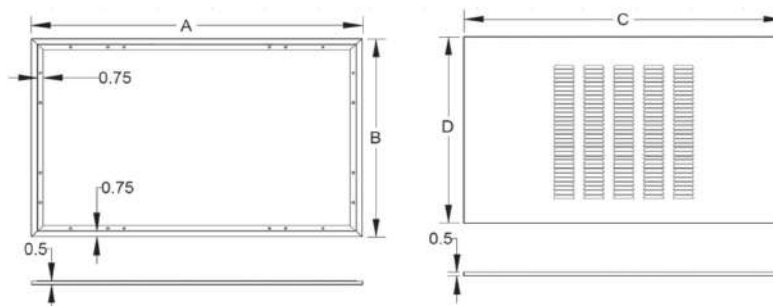
### FILTER

20" x 20" x 1" field supplied.

## ACCESS DOOR DIMENSIONS (In.) - FIGURE 1

PANEL MODEL	FOR USE WITH	A	B	C	D	FILTERS (QTY)
RET18	GAD-1(S/L)	43-1/2	27-1/2	41-1/2	26	1
RET27/31	GAD-5(S/L)	49-1/2		47-1/2		2
RET28/29/34	GAD-2(S/L)	55-1/2		53-1/2		2
RET36	GAD-6(S/L)	63-1/2		61-1/2		2

**FIGURE 1**



In keeping with its commitment to continuous improvement, Aspen Manufacturing reserves the right to make changes without notice and incurring obligation. To stay up-to-date with this product and Aspen's trusted line of coils, air handlers, and more, go to our website. AP-RES-RET-Spec-2025-03



**CAP KIT PART NUMBER (In.)**

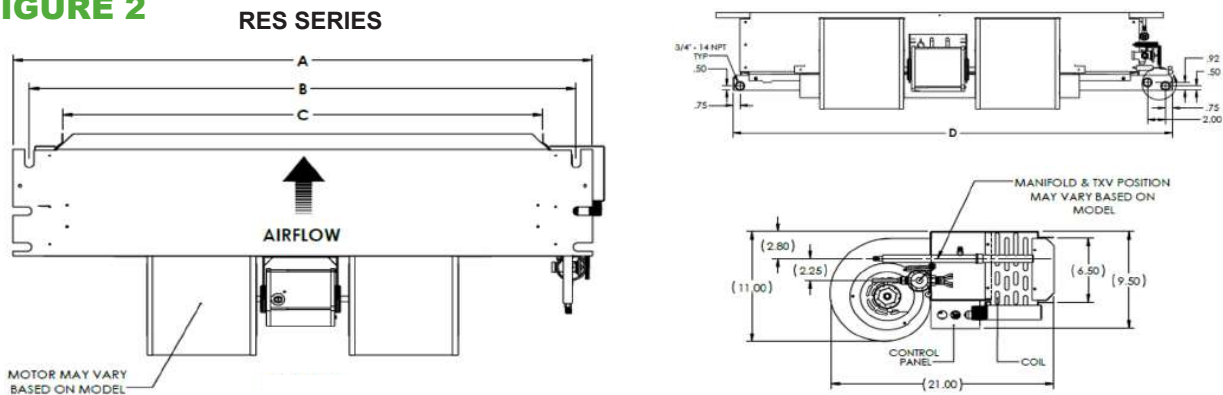
MODEL NUMBER	UNIT MODEL	ENCLOSURE SIZE
RET18/24	CAP-1	40X24X11
RET30/36	CAP-3	52X24X11

NOTE: CAP kit is an insulated panel that covers the entire bottom opening and is utilized for optional ducted return configuration.

**RES SERIES - CHASSIS DIMENSIONS (In.) - FIGURE 2**

UNIT MODEL	A	B	C	D	WEIGHT (LB)	SKID QTY.
RES 18	37-1/4 [946]	34-5/8 [879]	30 [762]	36-5/8 [930]	85	5
RES 24	43-1/4 [1099]	40-5/8 [1032]	36 [914]	42-5/8 [1083]	90	
RES 30/36	49-1/4 [1251]	46-5/8 [1184]	42 [1067]	52 [1321]	100	

**FIGURE 2**

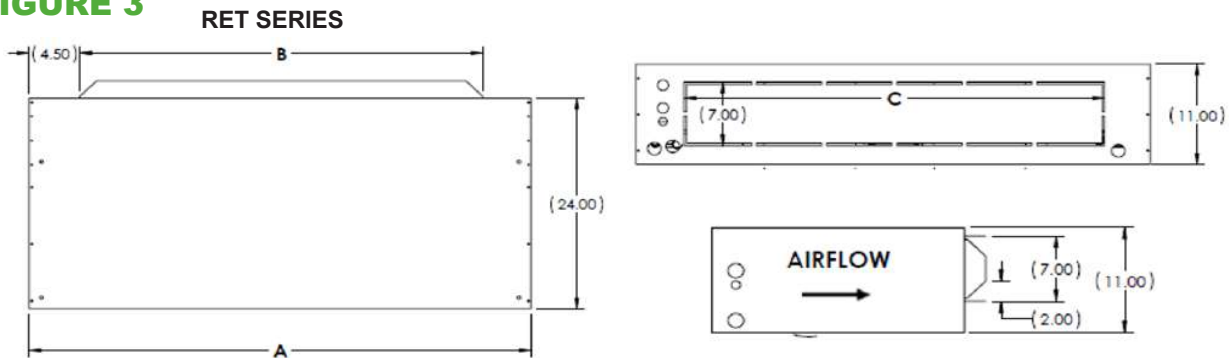


**RET SERIES - ENCLOSURE DIMENSIONS (In.) - FIGURE 3**

UNIT MODEL	A	B	C	WEIGHT (LB)	SKID QTY.
RET 18	40 [1016]	30 [762]	30 [762]	120	5
RET 24	46 [1168]	36 [914]	36 [914]	130	
RET 30/36	52 [1321]	42 [1067]	42 [1067]	140	

Note: Copper stub out diameter: Suction: 3/4", Liquid: 3/8"

**FIGURE 3**



In keeping with its commitment to continuous improvement, Aspen Manufacturing reserves the right to make changes without notice and incurring obligation. To stay up-to-date with this product and Aspen's trusted line of coils, air handlers, and more, go to our website.

AP-RES-RET-Spec-2025-03

# ASPENPRO CASED & UNCASD HIGH-EFFICIENCY PFS/T SERIES CEILING MOUNT HYDRONIC HEAT DX COOL ECM AIR HANDLER

## FEATURES, BENEFITS, DIMENSIONS, & SPECIFICATIONS



Unit shown with service panels removed. Representative drawing only. Some models may vary in appearance. Due to continuous product improvement, specifications are subject to change without notice.

### WARRANTY

ONE YEAR LIMITED PARTS WARRANTY

### APPLICATION VERSATILITY

Built-in mounting tabs for ceiling or fur-down mounting. Compatible with most brands of air conditioners and heat pumps. Optional louvered ceiling access panel has separate frame that attached to ceiling joists. Optional solid ceiling panel available for use with ducted return. Less than 2% air leakage when tested in accordance with ASHRAE standard 193.

### MOTOR

Constant torque ECM speeds and torques are controlled by embedded motor software and factory preprogrammed. Direct drive blowers circulate air quietly and efficiently. Air moving system is plated mounted to allow for easy removal and service.

### ELECTRONIC CONTROLS

Electronic board controls the functioning of system, increasing system reliability. Standard factory installed freeze stat wired into circulating pump control circuit. Standard factory installed fan time delay relay for increased efficiency and maximize capacity. Standard factory installed pump cycle timer circulates hot water every four hours to prevent coil freeze during off-cycle.

- Riffled copper tube/enhanced aluminum fins DX and hydronic coils for more efficient heat transfer
- Schrader valve on DX and hydronic coils for "hiss-test" leak check
- Factory installed service switch
- Factory installed freeze protection
- Low leak cabinet design\*

### LOW LEAKAGE CABINET

Less than 2% air leakage from cabinet when installed in enclosure and tested in accordance with ASHRAE 193. Sturdy, fully insulated galvanized enclosure with ducted return available as option.

### DIRECT EXPANSION/HYDRONIC COILS

High efficiency riffled copper tube and enhanced aluminum fins provide maximum heat transfer. All coils are immersion tested at 500 PSI and nitrogen charged for maximum reliability. Schrader valve allows for "hiss-test" pre-installation pressure test. Available with factory installed orifice or TXV. Primary and secondary DX condensate drain with 3/4" NPT connections. Powder-painted galvanized drain pan. Hydronic coils suitable for potable water applications.

- ETL listed for use with R-22, R-410A, R-454B, and R-32 when a proper metering device is used.
- In accordance to UL 60335 Refrigerant Detection Systems are field-installed on A2L refrigerant ready air handlers.



## WANT MORE INFORMATION ON THE ASPENPRO PFS/T SERIES HYDRONIC CEILING MOUNT AIR HANDLERS?

SCAN QR CODE TO VISIT THIS PRODUCT ON OUR WEBSITE

*For complete warranty details, please visit our Warranty Information tab when you visit Aspen's website. To view this coil's product information online for the most up-to-date information scan the QR Code.*

In keeping with its commitment to continuous improvement, Aspen Manufacturing reserves the right to make changes without notice and incurring obligation. To stay up-to-date with this product and Aspen's trusted line of coils, air handlers, and more, go to our website. AP-PFS-PFT-Spec-2025-03



**PF(S/T) HEATING/COOLING PERFORMANCE AND ELECTRICAL DATA**

MODEL	HYDRONIC HEAT		PERFORMANCE DATA				ELECTRICAL DATA				
	NOM. COOLING (BTUs)	HEAT GPM	PRESS. DROP (FT. WTR)	BTU @ ENTERING WATER TEMP. °F			MIN. CIRCUIT AMPACITY (MCA)				MAX. BREAKER OR FUSE SIZE
				120°	140°	180°	L	P	8	R	120V
PF(S/T) 26	24,000	2.0	2.2	15700	22000	34600	8.75	9.53	9.59	10.55	15A
		3.0	4.3	17000	23800	37400					
		4.0	6.8	17600	24700	38800					
PF(S/T) 32	30,000	2.0	2.2	17300	24200	38000	17.50	18.28	18.34	-	30A
		3.0	4.3	18800	26300	41300					
		4.0	6.8	19600	27500	43200					
PF(S/T) 33	36,000	2.0	2.2	19700	27600	43400	17.50	18.28	18.34	-	30A
		3.0	4.3	21700	30400	47400					
		4.0	6.8	22800	31900	50100					
PF(S/T) 37	36,000	2.0	2.2	19700	27600	43400	17.50	18.28	18.34	-	30A
		3.0	4.3	21700	30400	47800					
		4.0	6.8	22800	31900	50100					

NOTES: Heat BTUH is at 70 degree EAT. 120 degree and 180 degree data is supplied for boiler applications. Heat BTUH output will not exceed output of water heater. Units should not be applied to a system with less than 350 CFM/Ton airflow. Add 0.05 static when enclosure and/or ceiling panel are used. PFT33 and PFT37 have two motors and four blowers.

**PF(S/T) BLOWER DATA**

MODEL	SPEED TAP	MOTOR			CFM VS. EXTERNAL STATIC (DRY COIL)				
		HP	FLA	VOLT.	0.10	0.20	0.30	0.40	0.50
PF(S/T) 26	HIGH	1/2	7.0	120V	1005	965	920	850	780
	MED				845	795	755	720	680
	LOW				765	710	665	635	600
PF(S/T) 32	HIGH	1/2	7.0		1180	1155	1110	1040	980
	MED				1085	1040	995	965	920
	LOW				1030	965	935	885	845
PF(S/T) 33	HIGH	1/2 (2)	14.0		1455	1375	1285	1195	1105
	MED				1300	1245	1185	1150	1075
	LOW				-	1030	975	915	860
PF(S/T) 37	HIGH	1/2 (2)	14.0		1455	1375	1285	1195	1105
	MED				1300	1245	1185	1150	1075
	LOW				-	1030	975	915	860

**PF(S/T) AIR HANDLER CHASSIS NOMENCLATURE (ELECTRIC CEILING MOUNT)**

P	F	S/T	18/23	4/G	-000
ASPEN PRO	<b>VOLTAGE</b> 120V ECM MOTOR (CONSTANT TORQUE) HYDRONIC HANDLER	<b>CONFIGUR.</b> S = Uncased Ceiling Mount T = Cased Ceiling Mount	<b>NOMINAL TONNAGE</b> (MBTUH)	<b>A1 METERING DEVICE</b> 4 = R410A (TXV NON-BLEED A/C or H/P) X = R22 (TXV NON-BLEED A/C or H/P) B = R22 (TXV 20% BLEED A/C or H/P) F = R22 (PISTON) G = R410A (PISTON)  <b>A2L METERING DEVICE</b> J = R454B (TXV NON-BLEED A/C or H/P) K = R454B (TXV 20% BLEED A/C or H/P) D = R32 (TXV NON-BLEED A/C or H/P) M = R32 (PISTON) N = R454B (PISTON)	OPTION CODE

In keeping with its commitment to continuous improvement, Aspen Manufacturing reserves the right to make changes without notice and incurring obligation. To stay up-to-date with this product and Aspen's trusted line of coils, air handlers, and more, go to our website. AP-PFS-PFT-Spec-2025-03

## HYDRONIC HEAT NOMENCLATURE

Z	T	2	S	P
WATER HEAT HYDRONIC	<b>INTERRUPTION</b> T = TERMINAL BLOCK	<b># OF ROWS</b> 2 = 2 ROW HYDRONIC COIL	<b>CABINET SIZE &amp; NOM. TONNAGE</b> PFS/T = 26/32 - M PFS/T = 33/37 - L	<b>PUMP</b> <b>L</b> = No Pump <b>P</b> = Taco 006 pump (factory installed) <b>8</b> = Taco 008 pump high head (factory installed) <b>R</b> = Taco 009 pump high head (to be mounted external to all units except for multi-position units)

## ACCESS DOOR

### VERSATILITY

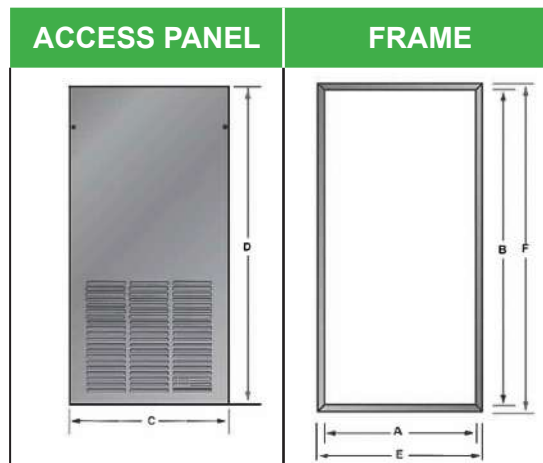
Equipped with hidden frame feature. Fastens to the outside wall surface and does not have to perfectly match the hole opening. Frame screws are not visible after installation. Available in either solid (S) or Louvered (L) style.

### MATERIALS

Galvanized steel construction with smooth powder paint finish.

### FILTER

20" x 20" x 1" field supplied.



## PFT SERIES - CAP KIT PART NUMBER (In.)

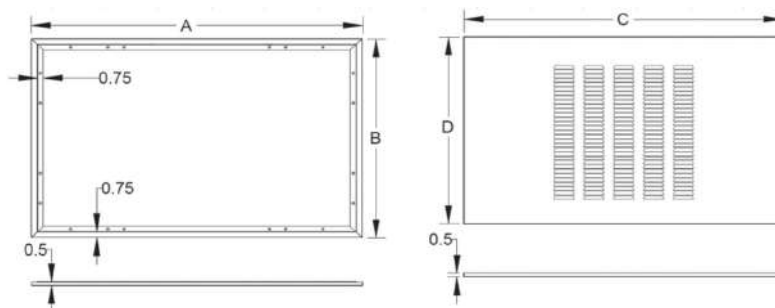
ASPENPRO MODEL	PART NUMBER	ENCLOSURE SIZE
PFT26/30	CAP-7	60X24X11
PFT33/37	CAP-8	67X24X11

NOTE: CAP kit is an insulated panel that covers the entire bottom opening and is utilized for optional ducted return configuration.

## ACCESS DOOR/PANEL DIMENSIONS (In.) - FIGURE 1

PANEL MODEL	FOR USE WITH	A	B	C	D	FILTERS (QTY)
PF(S/T) 23/26	GAD-1(S/L)	43-1/2	27-1/2	41-1/2	26	1
PF(S/T) 27	GAD-5(S/L)	49-1/2	27-1/2	47-1/2		2
PF(S/T) 28/29/34	GAD-2(S/L)	55-1/2	27-1/2	53-1/2		2
PF(S/T) 33/35/38	GAD-6(S/L)	63-1/2	27-1/2	61-1/2		2

FIGURE 1



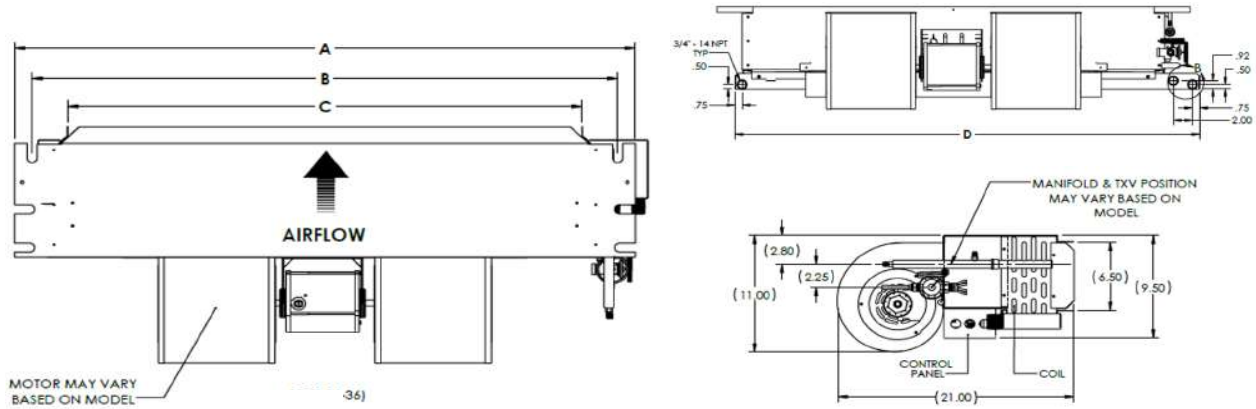
In keeping with its commitment to continuous improvement, Aspen Manufacturing reserves the right to make changes without notice and incurring obligation. To stay up-to-date with this product and Aspen's trusted line of coils, air handlers, and more, go to our website. AP-PFS-PFT-Spec-2025-03



**PFS - CHASSIS DIMENSIONS (In.) - FIGURE 2**

ASPENPRO MODEL	A	B	C	D	WEIGHT (LBS)	SKID QTY
PFS 26	55 [1397]	50 [1270]	42 [1060]	50 [1270]	101	8
PFS 32	55 [1397]	50 [1270]	42 [1060]	50 [1270]	121	
PFS 33/37	62 [1575]	56 [1422]	48 [1219]	56 [1422]	127	

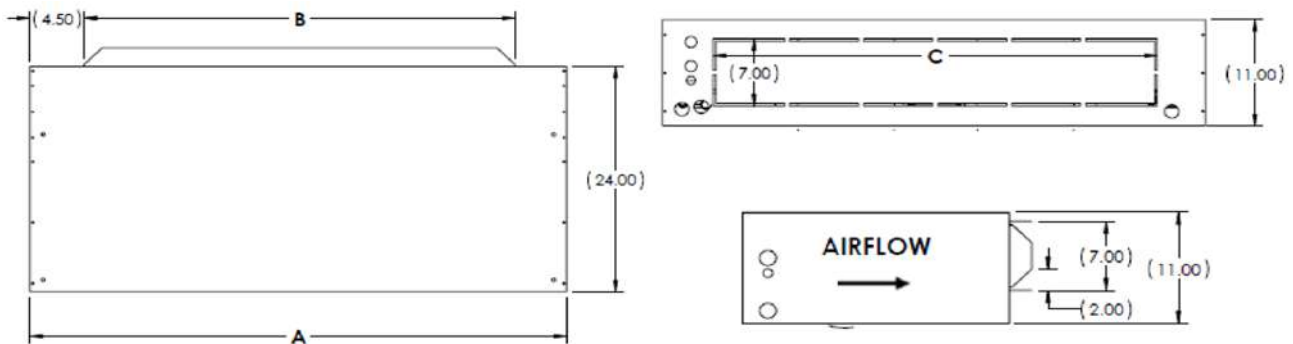
**FIGURE 2**



**PFT SERIES - CHASSIS DIMENSIONS (In.) - FIGURE 3**

ASPENPRO MODEL	A	B	C	WEIGHT (LB)	SKID QTY.
PFT 23/26	40 [1016]	30 [762]	30 [762]	135	5
PFT 27	46 [1168]	36 [914]	36 [914]	145	
PFT 28/29/34	52 [1321]	42 [1067]	42 [1067]	155	
PFT 33/35/38	60 [1524]	48 [1219]	48 [1219]	175	

**FIGURE 3**



In keeping with its commitment to continuous improvement, Aspen Manufacturing reserves the right to make changes without notice and incurring obligation. To stay up-to-date with this product and Aspen's trusted line of coils, air handlers, and more, go to our website. AP-PFS-PFT-Spec-2025-03

# ASPENPRO CASED & UNCASD PBS/T SERIES CEILING MOUNT HYDRONIC HEAT DX COOL AIR HANDLER

## FEATURES, BENEFITS, DIMENSIONS, & SPECIFICATIONS



Unit shown with service panels removed. Representative drawing only. Some models may vary in appearance. Due to continuous product improvement, specifications are subject to change without notice.

### WARRANTY

ONE YEAR LIMITED  
PARTS WARRANTY

### APPLICATION VERSATILITY

Built-in mounting tabs for ceiling or fur-down mounting. Compatible with most brands of air conditioners and heat pumps. Optional louvered ceiling access panel has separate frame that attached to ceiling joists. Optional solid ceiling panel available for use with ducted return. Less than 2% air leakage when tested in accordance with ASHRAE standard 193.

### MOTOR

Direct drive blowers circulate air quietly and efficiently. Multiple speeds allow for precise air volume selection. Air moving system is plated mounted to allow for easy removal and service.

### ELECTRONIC CONTROLS

**PBS Series:** Electronic circuit board provides 30 secs ON/OFF blower time delay extracting more heat/cool from the coil.

**PBT Series:** Electronic board controls the functioning of system, increasing system reliability. Standard factory installed freeze stat wired into circulating pump control circuit. Standard factory installed fan time delay relay for increased efficiency and maximize capacity. Standard factory installed pump cycle timer circulates hot water every four hours to prevent coil freeze during off-cycle.

- Rified copper tube/enhanced aluminum fins DX and hydronic coils for more efficient heat transfer
- Schrader valve on DX and hydronic coils for "hiss-test" leak check
- Factory installed service switch
- Factory installed freeze protection
- Low leak cabinet design\*

### LOW LEAKAGE CABINET

Less than 2% air leakage from cabinet when installed in enclosure and tested in accordance with ASHRAE 193. Sturdy, fully insulated galvanized enclosure with ducted return available as option.

### DIRECT EXPANSION/HYDRONIC COILS

High efficiency rified copper tube and enhanced aluminum fins provide maximum heat transfer. All coils are immersion tested at 500 PSI and nitrogen charged for maximum reliability. Schrader valve allows for "hiss-test" pre-installation pressure test. Available with factory installed orifice or TXV. Primary and secondary DX condensate drain with 3/4" NPT connections. Powder-painted galvanized drain pan. Hydronic coils suitable for potable water applications.

- ETL listed for use with R-22, R-410A, R-454B, and R-32 when a proper metering device is used.
- In accordance to UL 60335 Refrigerant Detection Systems are field-installed on A2L refrigerant ready air handlers.



## WANT MORE INFORMATION ON THE ASPENPRO PB(S/T) SERIES HYDRONIC CEILING MOUNT AIR HANDLERS?

SCAN QR CODE TO VISIT THIS PRODUCT ON OUR WEBSITE

*For complete warranty details, please visit our Warranty Information tab when you visit Aspen's website.  
To view this coil's product information online for the most up-to-date information scan the QR Code.*

In keeping with its commitment to continuous improvement, Aspen Manufacturing reserves the right to make changes without notice and incurring obligation. To stay up-to-date with this product and Aspen's trusted line of coils, air handlers, and more, go to our website. AP-PBS-PBT-Spec-2025-03

PB(S/T) HEATING/COOLING PERFORMANCE AND ELECTRICAL DATA											
MODEL	HYDRONIC HEAT		PERFORMANCE DATA				ELECTRICAL DATA				
	NOM. COOLING (BTUs)	HEAT GPM	PRESS. DROP (FT. WTR)	BTU @ ENTERING WATER TEMP. °F			MIN. CIRCUIT AMPACITY (MCA)				MAX. BREAKER OR FUSE SIZE
				120°	140°	180°	L	P	8	R	120V
PB(S/T) 26	24,000	2.0	2.2	15700	22000	34600	4.75	5.53	5.59	-	15A
		3.0	4.3	17000	23800	37400					
		4.0	6.8	17600	24700	38800					
PB(S/T) 32	30,000	2.0	2.2	17300	24200	38000	5.75	6.53	6.59	-	
		3.0	4.3	18800	26300	41300					
		4.0	6.8	19600	27500	43200					
PB(S/T) 33	36,000	2.0	2.2	19700	27600	43400	5.75	6.53	6.59	-	
		3.0	4.3	21700	30400	47400					
		4.0	6.8	22800	31900	50100					
PB(S/T) 37	36,000	2.0	2.2	19700	27600	43400	5.75	6.53	6.59	-	
		3.0	4.3	21700	30400	47800					
		4.0	6.8	22800	31900	50100					

PB(S/T) BLOWER DATA									
MODEL	SPEED TAP	MOTOR			CFM VS. STATIC PRESSURE				
		HP	FLA	VOLT.	0.10	0.20	0.30	0.40	0.50
PB(S/T) 26	HIGH	1/3	3.80	120V	975	900	830	745	680
	LOW				900	840	770	690	620
PB(S/T) 32	HIGH	1/5 (2)	4.60		1055	965	865	755	605
	LOW				1015	915	815	705	565
PB(S/T) 33	HIGH	1/5 (2)	4.60		1235	1150	1040	925	830
	LOW				1050	980	900	800	680

PB(S/T) AIR HANDLER CHASSIS NOMENCLATURE (ELECTRIC CEILING MOUNT)						
P	B	S/T	18/23	4/G	-000	
ASPEN PRO	<b>VOLTAGE</b> 120V PSC MOTOR (CONSTANT TORQUE) HYDRONIC HANDLER	<b>CONFIGUR.</b> S = UNCASSED CEILING MOUNT T = CASSED CEILING MOUNT	<b>NOMINAL TONNAGE</b> (MBTUH)	<b>A1 METERING DEVICE</b> 4 = R410A (TXV NON-BLEED A/C or H/P) X = R22 (TXV NON-BLEED A/C or H/P) B = R22 (TXV 20% BLEED A/C or H/P) F = R22 (PISTON) G = R410A (PISTON)	<b>A2L METERING DEVICE</b> J = R454B (TXV NON-BLEED A/C or H/P) K = R454B (TXV 20% BLEED A/C or H/P) D = R32 (TXV NON-BLEED A/C or H/P) M = R32 (PISTON) N = R454B (PISTON)	OPTION CODE

HYDRONIC HEAT NOMENCLATURE				
Z	T	2	S	P
WATER HEAT HYDRONIC	<b>INTERRUPTION</b> T = TERMINAL BLOCK	2 = 2 ROW HYDRONIC COIL	<b>CABINET SIZE &amp; NOM. TONNAGE</b> M - 26/32 L - 33/37	<b>PUMP</b> L = No Pump P = Taco 006 pump (factory installed) 8 = Taco 008 pump high head (factory installed) R = Taco 009 pump high head (to be mounted external to all units except for multi-position units)

## ACCESS DOOR

### VERSATILITY

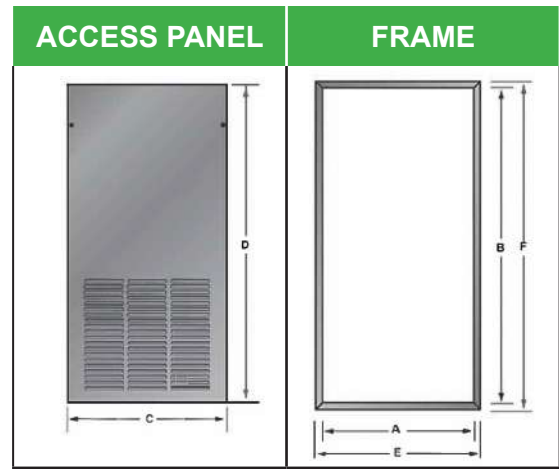
Equipped with hidden frame feature. Fastens to the outside wall surface and does not have to perfectly match the hole opening. Frame screws are not visible after installation. Available in either solid (S) or Louvered (L) style.

### MATERIALS

Galvanized steel construction with smooth powder paint finish.

### FILTER

20" x 20" x 1" field supplied.



### PBT SERIES - CAP KIT PART NUMBER (In.)

ASPENPRO MODEL	PART NUMBER	ENCLOSURE SIZE
PBT26/32	CAP-7	60X24X11
PAT33/37	CAP-8	67X24X11

NOTE: CAP kit is an insulated panel that covers the entire bottom opening and is utilized for optional ducted return configuration.

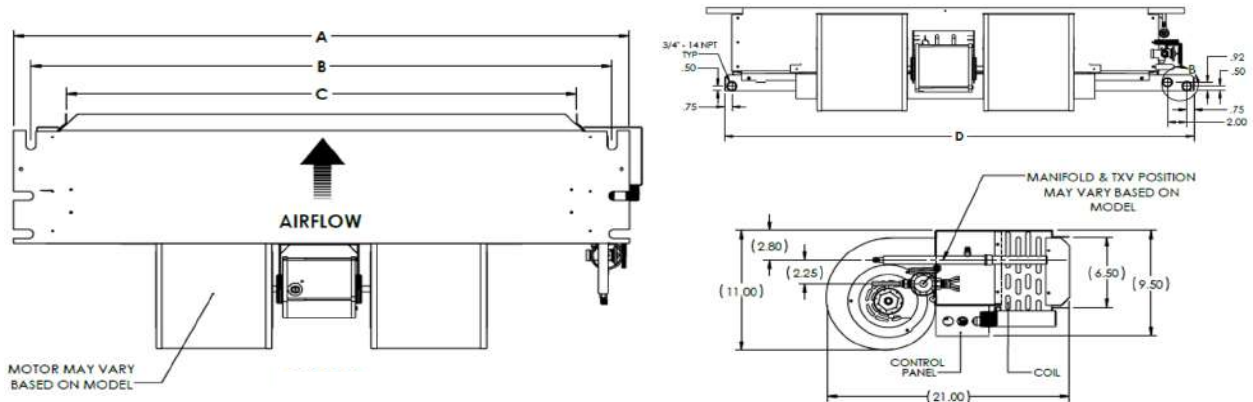
### ACCESS DOOR/PANEL DIMENSIONS (In.)

PANEL MODEL	FOR USE WITH	A	B	C	D	FILTERS (QTY)
PB(S/T)26/32	GAD-6(S/L)	63-1/2	27-1/2	61-1/2	26	2
PB(S/T)33/37	GAD-4(S/L)	70-1/2		68-1/2		

### PB(S/T) - CHASSIS DIMENSIONS (In.) - FIGURE 1

ASPENPRO MODEL	A	B	C	D	WEIGHT (LBS)	SKID QTY
PB(S/T) 26	55 [1397]	50 [1270]	42 [1060]	50 [1270]	101	8
PB(S/T) 32	55 [1397]	50 [1270]	42 [1060]	50 [1270]	121	
PB(S/T) 33/37	62 [1575]	56 [1422]	48 [1219]	56 [1422]	127	

FIGURE 1



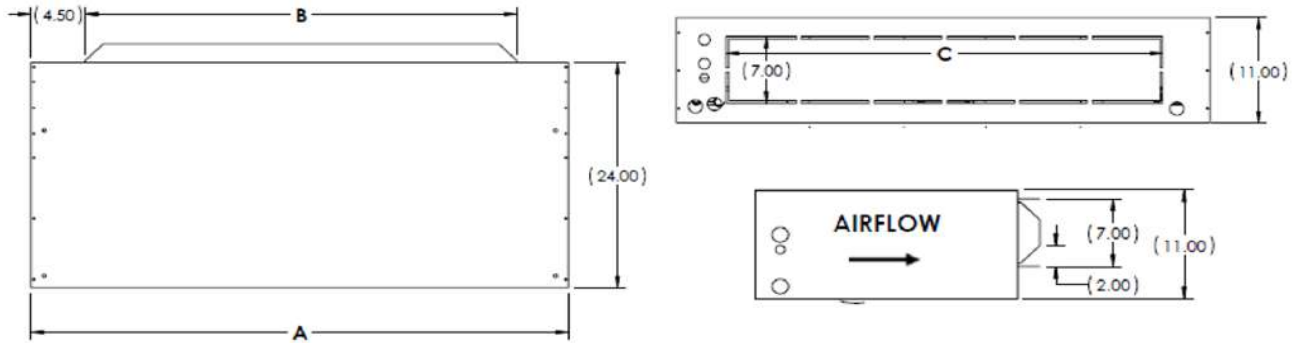
In keeping with its commitment to continuous improvement, Aspen Manufacturing reserves the right to make changes without notice and incurring obligation. To stay up-to-date with this product and Aspen's trusted line of coils, air handlers, and more, go to our website.

AP-PBS-PBT-Spec-2025-03

## PB(S/T) - ENCLOSURE DIMENSIONS (In.) - FIGURE 2

ASPENPRO MODEL	A	B	C	WEIGHT (LBS)	SKID QTY
PB(S/T) 26/30	60 [1524]	42 [1067]	47 [1194]	140	5
PB(S/T) 33/37	67 [1702]	48 [1219]	55 [1397]	170	4

**FIGURE 2**



In keeping with its commitment to continuous improvement, Aspen Manufacturing reserves the right to make changes without notice and incurring obligation. To stay up-to-date with this product and Aspen's trusted line of coils, air handlers, and more, go to our website.

AP-PBS-PBT-Spec-2025-03

# A2L RDS KITS REFRIGERANT DETECTION SYSTEMS FOR R32 & R454B REFRIGERANTS



Aspen provides specific RDS kits for R32 and R454B to provide optimal performance and avoid nuisance or false alarms that can occur in inferior products. The innovative RDS kits have unique features allowing flexibility in installation and application. The kits are compatible with all Aspen coils. Certified to meet the requirements of UL 60335-2-40, each kit provides for a complete installation of the required sensor and mitigation device required by the UL standard. Kits with relay have an optional functionality to control additional equipment or accessories.

With eight kits in total (standard RDS kit, RDS kit with relay, and 2 mounting bracket options), Aspen has a kit that works for every application. Aspen's RDS kits connect through the 24-volt connection on the furnace with provided field wiring and shuts down the condenser and turns on the furnace blower to dilute the refrigerant concentration below the flammability limit when activated.

## FEATURES

- Kit includes all components needed for RDS installation
- Sensor wire length of 8 feet, and mitigation board power wire length 3 feet
- Flexible installation location, ideal for installs on existing equipment
- System designed to last the useful life of the evaporator coil
- Optional relay for controlling additional components

## SPECIFICATIONS

- The refrigerant detection kit has been designed and tested to meet UL60335-2-40 4th edition safety standard.
- Refrigerant detection sensors have been designed, tested, and calibrated specifically for either R454B or R32. Sensors have a 15+ year lifetime with no calibration required.
- Mitigation control boards are programmed with logic and timing to complete proper mitigation measures per the UL standard. Aspen offers two mitigation options:
  - **Standard mitigation control (S)** – turns on indoor blower to dissipate refrigerant concentration and cuts power to outdoor unit to stop new refrigerant from entering the space.
  - **Mitigation + accessory control (R)** – includes the same functionality as standard option plus ability to energize/de-energize up to four inputs for accessories such as electric heat, gas furnace, air cleaners, and zoning systems.
- The kit utilizes the thermostat 24V wiring of the system.
- The kit is field mounted to give installation flexibility on replacements applications.
  - All components needed for installation, including labels, wiring diagrams, cable/wire harnesses, and instructions, are included in the kit.

## FOR FURTHER INFORMATION

**For TXV Kit Selection for A2L Refrigerants:** Please review the Metering Device Selection Matrix Nomenclature



# OPTION S

## STANDARD MITIGATION REFRIGERANT DETECTION SYSTEM (RDS) KIT

**Standard mitigation control kit (S)** – turns on indoor blower to dissipate refrigerant concentration and cuts power to outdoor unit to stop new refrigerant from entering the space. Kit includes all components needed for RDS installation.

### KIT INCLUDES:

- (1) *Mitigation Board*
- (1) *Field Low Voltage Wiring*
- (1) *Sensor Cable*
- (1) *Sensor + Clip*
- (1) *Stickers*
- (1) *Instructions*
- (1) *Anti-strain Clip*
- *Zip ties*



A2L RDS KIT PART #	DESCRIPTION	DRAIN PAN USE WITH
A2L4SA	A2L RDS KIT, R454B, STANDARD, A	16" - 23" Width Drain Pans
A2L4SB	A2L RDS KIT, R454B, STANDARD, B	13" Width Drain Pans
A2L3SA	A2L RDS KIT, R32, STANDARD, A	16" - 23" Width Drain Pans
A2L3SB	A2L RDS KIT, R32, STANDARD, B	13" Width Drain Pans

**Note:** suffix A is used for 16 to 23-inch width drain pans; B is used for 13-inch wide pans on models: All C and D 130 to 145 width code.

# OPTION R

## STANDARD + ACCESSORY CONTROL REFRIGERANT DETECTION SYSTEM (RDS) KIT

**Mitigation + accessory control kit (R)** – includes the same functionality as standard option plus ability to energize/de-energize up to four inputs for accessories such as electric heat, gas furnace, air cleaners, and zoning systems.

### KIT INCLUDES:

- (1) *Mitigation Board*
- (1) *Field Low Voltage Wiring*
- (1) *Additional Accessory Control Connection*
- (1) *Stickers*
- (1) *Instructions*
- (1) *Anti-strain Clip*
- *Zip ties*
- (1) *Sensor Cable*
- (1) *Sensor + Clip*



**Note:** suffix A is used for 16 to 23-inch width drain pans; B is used for 13-inch wide pans on models: All C and D 130 to 145 width code.

A2L RDS KIT PART #	DESCRIPTION	DRAIN PAN USE WITH
A2L4RA	A2L RDS KIT, R454B, W/ RELAY, A	16" - 23" Width Drain Pans
A2L4RB	A2L RDS KIT, R454B, W/ RELAY, B	13" Width Drain Pans
A2L3RA	A2L RDS KIT, R32, W/ RELAY, A	16" - 23" Width Drain Pans
A2L3RB	A2L RDS KIT, R32, W/ RELAY, B	13" Width Drain Pans

In keeping with its commitment to continuous improvement. Aspen Manufacturing reserves the right to make changes without notice and incurring obligation. A2L-RDS-Kit-Spec-2025-01



# YOUR ASPEN SALES TEAM

**GREG JOHNSON** Western Regional Director of Sales

Western/ Mountain Regional Territory: AK, AZ, CA, CO, HI, IA, ID, IL, IN, MN, MT, ND, NM, NV, OR, SD, WA, WI, WY, UT

- **Email:** greg.johnson@aspenmfg.com
- **Phone:** 281.441.6500 (Ext. 115)
- **Cell:** 940.999.4699

**DAVID KWIA TEK** Regional Sales Manager

Mountain Regional Territory: CO, ID, MT, OR, UT, WA, WY

- **Email:** david.kwiatek@aspenmfg.com
- **Cell:** 720.442.3355

**JL SONTAG** Independent Sales Rep

North Central Regional Territory: IA, MN, ND, SD

- **David Baltezare:** david@jlsontag.com
- **Tom Sontag:** tom@jlsontag.com
- **Jon Sontag:** jon@jlsontag.com
- **Phone:** 952.933.7768

**TREVOR PICCIONE** Regional Sales Manager

South Central Regional Territory: AR, KS, MO, OK, NE, TX

- **Email:** trevorpiccione@aspenmfg.com
- **Phone:** 281.441.6500 (Ext. 131)
- **Cell:** 713.416.4541

**COLTAN PICCIONE** Sales Rep

South Central Regional Territory: NE, KS, MO

- **Email:** coltan.piccione@aspenmfg.com
- **Cell:** 713.416.6542

**GUNDER ASSOCIATES** Independent Sales Rep

South Central Regional Territory: AR, OK, TX

- **Phone:** 972.620.2801

**TIM CHAPA** Regional Sales Manager

Southeast Regional Territory: LA, AL, GA, MS, TN, FL

- **Email:** tim.chapa@aspenmfg.com
- **Phone:** 281.441.6500 (Ext. 138)
- **Cell:** 504.559.2298

**LEONE GREEN** Independent Sales Rep

Southeast Regional Territory: FL, AL, GA, MS, TN

- **Phone:** 770-977-1933
- **Email:** orderentry@leonegreen.com

**GUNDER ASSOCIATES** Independent Sales Rep

Southeast Regional Territory: LA

- **Phone:** 972.620.2801

**WRIGHT SALES** Independent Sales Rep

Southwest Regional Territory: AZ, CA, NV, HI, NM, El Paso

- **Email:** sales@wrightsales.net
- **Phone:** 760.634.7601

**DAVID KAY** Territory Sales Manager

Southwest Regional Territory: AZ, CA, NV, HI, NM, NV, El Paso

- **Email:** david.kay@aspenmfg.com
- **Cell:** 951.347.2765

**A TO Z SALES INC.** Independent Sales Rep

Midwest Regional Territory: IL, IN, WI

- **Mike Graham:** mgraham@atozsales.net
- **David Blake:** dblake@atozsales.net
- **Matt Fisher:** mfisher@atozsales.net
- **Phone:** 630.824.4700
- **Website:** www.atozsales.net

**CHRISTIAN & COMPANY** Independent Sales Rep

Michigan Territory: MI

- **Jeff Christian:** jjchvac@aol.com
- **Lori Townsend:** loriw@candchvacr.com
- **Courtney Murt:** courtneym@candchvacr.com
- **Phone:** 248.851.5660

**DON GREIF** Regional Sales Manager

Northeast Regional Territory: CT, MA, ME, NH, NJ, NY, OH, RI, VT

- **Email:** don@aspenmfg.com
- **Phone:** 281.441.6500 (Ext. 139)
- **Cell:** 908.323.5790

**JOSH JULIAN** Regional Sales Manager

Mid-Atlantic Regional Territory: DE, KY, MD, NC, PA, SC, VA, WV

- **Email:** josh.julian@aspenmfg.com
- **Phone:** 800.423.9007
- **Cell:** 704.830.7844

**COOL ESTATE** Independent Sales Rep

Territory: Canada

- **Roy Panelli:** roy@coolestate.com
- **Fareed Ahmed:** fareed@coolestate.com
- **Phone:** 416.266.5378

**JUSTIN SMITH** Inside Sales Engineer

All US Regions: Aspen/Airmark Product Multi-Family Quotes

- **Email:** justin@aspenmfg.com
- **Phone:** 800.423.9007 (Ext. 127)
- **Cell:** 314.550.7539

# ORDERING TERMS

## REQUIRED INFORMATION

To ensure accuracy, the following information must be included with every order.

- **Company Name**
- **Contact phone number**
- **Contact Email Address**
- **Account Number and Purchase Order Number**
- **Requested Ship Date (if not indicated, the order will be placed and shipped ASAP)**

### Complete Model Numbers – including Option Codes:

- If standard equipment, please fill the space with 000
- For access doors, specify “L” for louvered or “S” for solid, where applicable.

All notes regarding special pricing, terms, shipping, etc. (include supporting documents, such as factory quote)

## SEND ORDERS TO:

**PHONE ORDERS AND FOX ORDERS ARE NOT ACCEPTED.** Send parts quote requests, order status requests, and other informational requests here: [info@aspenmfg.com](mailto:info@aspenmfg.com).

### TO CONTACT THE CUSTOMER SERVICE TEAM BY PHONE:

281-441-6500 (Dial 1 for Customer Service) or 800-423-9007

### FOR PURCHASE ORDERS:

It is important to us that we confirm receipt of every purchase order received and we enter your purchase order in a timely manner. To help us ensure we have received your purchase order, we kindly ask that all purchase orders be sent directly to our Order Entry Team at [orderentry@aspenmfg.com](mailto:orderentry@aspenmfg.com), rather than directly to your local sales representative or any other Aspen employee. We do encourage you to cc: your local sales representative on any email sent to our Order Entry Team.

Once we receive your purchase order (new ones and revisions), you will receive and “order receipt” email from [OrderEntry@AspenMFG.com](mailto:OrderEntry@AspenMFG.com), to simply let you know it was received.

Even if we have an issue with the purchase order sent in, you will receive an email letting you know about the issue and what is required to move forward.

If you do not receive a return email with a copy of your purchase order, it likely means we did not receive your purchase order.

**PLEASE SAVE THE [ORDERENTRY@ASPENMFG.COM](mailto:ORDERENTRY@ASPENMFG.COM) EMAIL ADDRESS AS THE PRIMARY ADDRESS FOR SUBMITTING ALL PURCHASE ORDERS TO ASPEN MANUFACTURING.**

### FOR PARTS:

It is helpful to production if you reference the original model number and the serial number of the equipment associated with the part you are ordering. Parts (such as pistons, TXVs, drain pans, etc.) ordered with equipment (air handlers/coils) will have the same lead time as the equipment. If you need the parts sooner, ordering them on a separate purchase order is best. *For drain pans, coil assemblies, blower assemblies, and blower motors, the information is required. Please make sure this information is on your purchase order. We cannot process your Purchase Order without it.*

## EQUIPMENT ORDERS

*The minimum order quantity is fifty units. The minimum line-item quantity is one pallet.*



**ORDERING SERVICE PARTS**

When ordering the following **SERVICE PARTS**, we require the COMPLETE model number **and** the serial number of the associated equipment. This is a requirement of production. We cannot process your order without this required information.

**PLEASE MAKE SURE IT IS REFERENCED ON YOUR PURCHASE ORDER FOR ANY OF THE FOLLOWING PARTS.**

- Blower Motor
- Blower Housing/Wheel
- Blower Assembly
- Drain Pan
- Coil Assembly (Replacement Coil for Air Handler)

*Send parts quote requests, order status requests, and other informational requests here: [info@aspenmfg.com](mailto:info@aspenmfg.com).*

**TECHNICAL SUPPORT**

*Send email our Technical Support team to: [techsupport@aspenmfg.com](mailto:techsupport@aspenmfg.com).*

**TO REACH OUT VIA PHONE PLEASE CALL:** 281.441.6500 (Dial 3 for Technical Support) or 800.423.9007

**WARRANTY**

*Send email concerning warranty status requests and claim inquiries here: [warranty@aspenmfg.com](mailto:warranty@aspenmfg.com).*

**TO REACH OUT VIA PHONE, PLEASE CALL:** 281-441-6500 (Dial 2 for Warranty) or 800-423-9007

**WHO TO CONTACT**

*For any additional questions or information, please use the following email contacts.*

- **WARRANTY TEAM:** [warranty@aspenmfg.com](mailto:warranty@aspenmfg.com)
- **ORDER ENTRY TEAM:** [orderentry@aspenmfg.com](mailto:orderentry@aspenmfg.com)
- **TECHNICAL SUPPORT TEAM:** [techsupport@aspenmfg.com](mailto:techsupport@aspenmfg.com)
- **CUSTOMER SERVICE:** [info@aspenmfg.com](mailto:info@aspenmfg.com)
- **ACCOUNTS PAYABLE:** [accountspayable@aspenmfg.com](mailto:accountspayable@aspenmfg.com)
- **ACCOUNTS RECEIVABLE:** [accountsreceivable@aspenmfg.com](mailto:accountsreceivable@aspenmfg.com)
- **CLAIMS:** [claims@aspenmfg.com](mailto:claims@aspenmfg.com) (ONLY for freight damage issues)
- **LOCAL SALES REPRESENTATIVE:** Scan QR Code to view Aspen's Sales Territory Guide



**SCAN HERE TO FIND YOUR ASPEN SALES REP**

**CONTRACTOR**

If you're a contractor or installer looking to purchase one of our products please contact your local HVAC Distributor.

**HOMEOWNER**

Aspen Manufacturing does not employ heating and cooling technicians who come out to repair HVAC equipment and we do not have factory-authorized contractors. We rely strictly on independent heating and cooling professionals in your area to install, maintain & troubleshoot our products. If you are a home-owner or consumer, contact the heating or cooling professional who installed your equipment or a local HVAC professional in your area for service.

# TERMS & CONDITIONS

**APPLICABILITY:** These terms and conditions (“Terms”) apply to all sales of products by Aspen Manufacturing (“Aspen”) and the performance of any services by Aspen to the buyer designated in the attached quotation or order confirmation. No other terms apply, and all other terms included in any documents provided by buyer (or otherwise alleged by buyer to apply) are expressly rejected. If these Terms are included in an order confirmation, then such confirmation is not an acceptance of buyer’s terms but is a counteroffer expressly conditioned on acceptance of these Terms without additional or conflicting terms. Any modification or waiver of any of these Terms must be in writing signed by the parties.

**PAYMENT TERMS:** Payment terms are 1% 10 days, net 30 days from invoice date. A daily finance charge of 1-1/2% or the maximum allowed by law will be assessed on all past due amounts. All orders are subject to a minimum \$50 billing. All orders payable in US funds.

**FREIGHT TERMS:** All shipments of merchandise are F.O.B. Humble TX. Aspen orders for \$20,000 or more of merchandise will be shipped freight prepaid to any one destination in the continental U.S. or Canada. Aspen orders for less than \$20,000 of merchandise, and all AspenPro orders, will be shipped freight prepaid and added to invoice. “Will Call” orders for Aspen and AspenPro will not be assessed freight charges, regardless of size.

**FREIGHT CHARGES:** All accessorial charges assessed by the freight company, including drop charges, detention charges, lift gate charges, etc., will be passed on to the buyer.

**DROP SHIPMENTS:** There is a three-drop limit per truckload, with a 4-pallet minimum per drop.

**POOLING ORDERS:** For the purposes of determining freight charges, each purchase order will be evaluated individually. Pooling of orders, whether from the same customer or different customers, in order to qualify for prepaid freight will not be allowed. Aspen will group orders together whenever possible in order to minimize freight charges. Doing so will not incur future obligation.

**METHOD OF SHIPMENT:** The method of shipment is at the discretion of Aspen. If special routing is requested, Aspen will charge for the difference between such routing and normal minimum freight charge to such point.

**BUYER DELAYED DELIVERIES:** Product shipment cannot be delayed beyond a requested or agreed to delivery date once production has begun. If buyer cannot or will not accept delivery as scheduled, Aspen will charge a storage fee of \$250.00 per day for each truckload or partial truckload that remains in Aspen’s shipping facility. Buyer agrees to promptly direct such merchandise to be shipped to a secondary location, if possible, in order to minimize such charges.

**BACKORDERS:** Backorders will be shipped according to the freight terms of the original order.

**WARRANTY:** Aspen warrants all merchandise is accordance with its standard product warranties. copies of which are available on request. Aspen’s warrant varies according to product. Buyer should consult the warranty documents relevant to the products he is purchasing. ALL OTHER WARRANTIES ARE EXPRESSLY DISCLAIMED.

**ORDER AND LINE-ITEM MINIMUMS:** The minimum order quantity is fifty units. The minimum line-item quantity is one pallet.

**RECEIPT OF SHIPMENT:** Risk of loss of merchandise sold by Aspen transfers to buyer when Aspen tenders such merchandise to the carrier for delivery to buyer or its designee. Aspen’s Bill of Lading is acknowledgment by the freight carrier that they have accepted the shipment in good condition. Responsibility for shipment is the carrier’s. Damaged merchandise must be reported to the carrier directly by the buyer. The buyer should insist that such damages are itemized on the freight bill. Deductions for damage will not be allowed, Aspen’s responsibility ends with consignment of product to the carrier. If there are shortages, they should be noted on the freight bill and the carrier should be notified immediately. Aspen must receive notification of shortages within 24 hours of receipt of shipment.

**RETURN POLICY:** No merchandise will be accepted for return: all sales are final. If an exception is made by Aspen to allow return of goods, credits for new material accepted for return will be at the original sales price or current market price, whichever is lower, less handling and restocking charges of 25%. Buyer must prepay all return transportation charges. No goods will be accented for



return more than six months after shipment unless expressly allowed by Aspen Obsolete products or products made to special order are not returnable.

**ORDER ACCEPTANCE:** All orders must be in writing and are subject to acceptance by Aspen. A purchase order number must appear on all orders. No agent, salesman, or other representative has an authority to waive alter or enlarge these standard terms. unless authorized in writing by an officer of Aspen.

**CHANGE ORDERS:** Change orders are only allowed at Aspen's discretion, change orders cannot be accepted after two-weeks from Purchase Order acceptance or order enters production whichever occurs earlier.

**ORDER CANCELLATION:** Orders are non-cancellable after two-weeks of Purchase Order acceptance by Aspen. All orders are considered in-production two-weeks following Purchase Order acceptance. No cancellations or modifications to orders will be accepted after production starts.

**CREDIT APPROVAL:** If, during the performance hereof, the financial responsibility of buyer is determined at the sole discretion of Aspen's Credit Department to be unacceptable or if buyer fails to make any payments in accordance with the terms hereof, Aspen may defer or decline to make any shipments hereunder except upon receipt of Cash payments in advance, or Aspen may terminate this order without further obligation of Aspen to buyer.

**TAXES:** Any direct or excise tax which may now or hereafter be imposed by federal or state government or any subdivision thereof or other governmental authority upon the manufacture, sale or delivery of the goods covered by this order may be added by Aspen to the purchase price of such goods, and if so added, shall be paid by the buyer.

**CREDITS:** Accounting credits expire one year from date of issuance. Credits can only be applied toward the purchase of Aspen equipment (not parts). Cash reimbursement for credits in lieu of equipment purchases is not allowed.

**DELIVERY DATES:** Any delivery dates, which may be indicated, are estimates only and are not guaranteed. Buyer's requested delivery date is an approximation and subject to Aspen's acceptance. Aspen has the right to change, modify, extend, etc. any and all delivery dates.

**PROPERTY DAMAGE:** In case of product failure resulting in property damage, Aspen warranty department should be contacted immediately. No corrective action should be taken without prior written authorization from Aspen.

**PRODUCT CHANGES:** Aspen reserves the right to change specifications, design and material in the interest of product improvement, without incurring obligation to the buyer.

**FORCE MAJEURE:** Aspen is not liable for delays or defaults in performance when due to acts of God, including fire, floods, wind, storm, labor disorders, strikes, work stoppages or other labor trouble, accidents, riots, civil commotion, terrorist acts or threats, closing of the public highways, Government acts or policies and other contingencies beyond the reasonable control of Aspen.







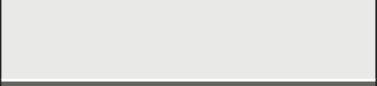


**GOVERNING LAW:** These Terms and all sales of products by Aspen and the performance of any services by Aspen to the buyer, and any disputes arising in connection therewith, are governed by the laws of the state of Texas, excluding its conflicts of laws provisions, and the parties submit to exclusive jurisdiction in the federal or state courts located in Harris County, Texas for resolution of all such disputes, and agree that venue is proper and convenient in such forum. These Terms shall not be governed by the United Nations Convention of Contracts for the International Sale of Goods, the application of which is expressly excluded.

**LIMITATIONS:** IN NO EVENT SHALL ASPEN BE LIABLE TO BUYER OR ITS AFFILIATES OR CUSTOMERS FOR INCIDENTAL, SPECIAL, EXEMPLARY, PUNITIVE, OR CONSEQUENTIAL DAMAGES, SUCH AS LOST PROFITS AND LOST BUSINESS OPPORTUNITIES, EVEN IF SUCH DAMAGES WERE REASONABLY FORESEEABLE AND EVEN IF NOTICE WAS GIVEN OF THE POSSIBILITY OF SUCH DAMAGES.

Effective 1/1/22. Revised 1/1/22. Subject to change without notice. V01-122021



# CABINET COLOR SELECTION GUIDE

COLOR NAME	PMS CODE	COLOR SAMPLE	TEXTURED
<b>YORK</b> <i>Mocha Latte Polyester</i>	PMB5781		No
<b>JCI</b> <i>Modern Mist</i>	PMA20381		Yes
<b>RUDD / RHEEM</b> <i>R. Metallic Polyester</i> <i>(Warm Dark Grey)</i>	PMA5313		No
<b>RHEEM</b> <i>Weatherking / Thermalzone</i>	PMA4597		Yes
<b>TRANE</b> <i>T. Gray Ultraflex II</i>	PMA0503		No
<b>DUCANE / ALLIED</b> <i>Texture</i>	PMA5906		Yes
<b>GOODMAN</b> <i>Gray Polyester</i>	PMA2352		No
<b>ICP / HEIL</b> <i>American Sterling Gray</i>	PMA3886		No
<b>FERGUSON</b> <i>Arctic Gray</i>	PMA4351		No
<b>ARMSTRONG / GE / CENTURY</b> <i>Platinum Gray</i>	PMA4898		Yes
<b>DURASTAR / RHEEM</b> <i>Iron Ore Gray</i>	PMA9221		No
<i>Silver Metallic Gray</i>	PMM1980		No
<i>Fujitsu</i>	PMA4588		No





**US MADE  
SERVING THE US & CANADA**

**INNOVATION LEADER  
UNMATCHED PERFORMANCE**

**OEM MATCHED RATINGS**

**AHR CERTIFIED**



**CONTACT INFO**

373 ATASCOCITA RD.  
HUMBLE, TX, 77396  
Phone 281.441.6500  
Toll Free 800.423.9007  
Fax 281.441.6510

**SCAN TO VISIT**



[www.aspenmfg.com](http://www.aspenmfg.com)

[www.aspenmfg.com](http://www.aspenmfg.com)

