

EVAPORATOR COILS

PRODUCT SPECIFICATIONS

FORM NO. EAC/AU/AH1P/A4X-100 (01/2018)

EVAPORATOR COILS FEATURES

- Microban® antimicrobial additive in the drain pan to resist mold and mildew growth.
- Aluminum tubing, hairpins, distributors and header tubes. Copper refrigerant connections for easy brazing to both liquid and suction lines.
- Preformed flanges in outlet for quick and easy plenum connections
- One of the lowest water retention drain pans in the industry to minimize mold and mildew growth.
- Interlocking door assemblies and snug line seal grommets to minimize air leakage
- Foil-face insulation for easy cleaning
- Tubing located at door split for easy coil service or cleaning
- All drain pans are compatible with UV lights
- All piston coils are compatible with R22 or R410a
- 10-year limited parts warranty available when applied with a system. *See limited warranty document for details.*



EAC4X
EAC1P

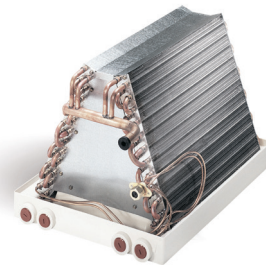
Upflow Coils

EAC4X (Cased)

- Factory installed TXV for quick installation in high efficiency applications
- Tightly sealed, painted steel cabinet with wall to wall insulation to ensure <2% air leakage.
- Single protruding right side dual drain port for easy installation and service access.

EAC1P (Cased)

- External cabinet mounted distributor body designed for easy changing of orifice sizes and fast TXV connections
- Single protruding right side dual drain port for easy installation and service access.



EAU1P

EAU1P (Uncased)

- Orifice assembly designed for easy changing of orifice sizes and fast TXV connections
- Single protruding right side dual drain port for easy installation and service access.

Horizontal Coils

EAH1P (Cased)

- Dedicated horizontal
- Insulated galvanized steel case with durable embossed finish
- Removable panels provide access to coil.
- Refrigerant lines extend outside of the cabinet for easy connection.



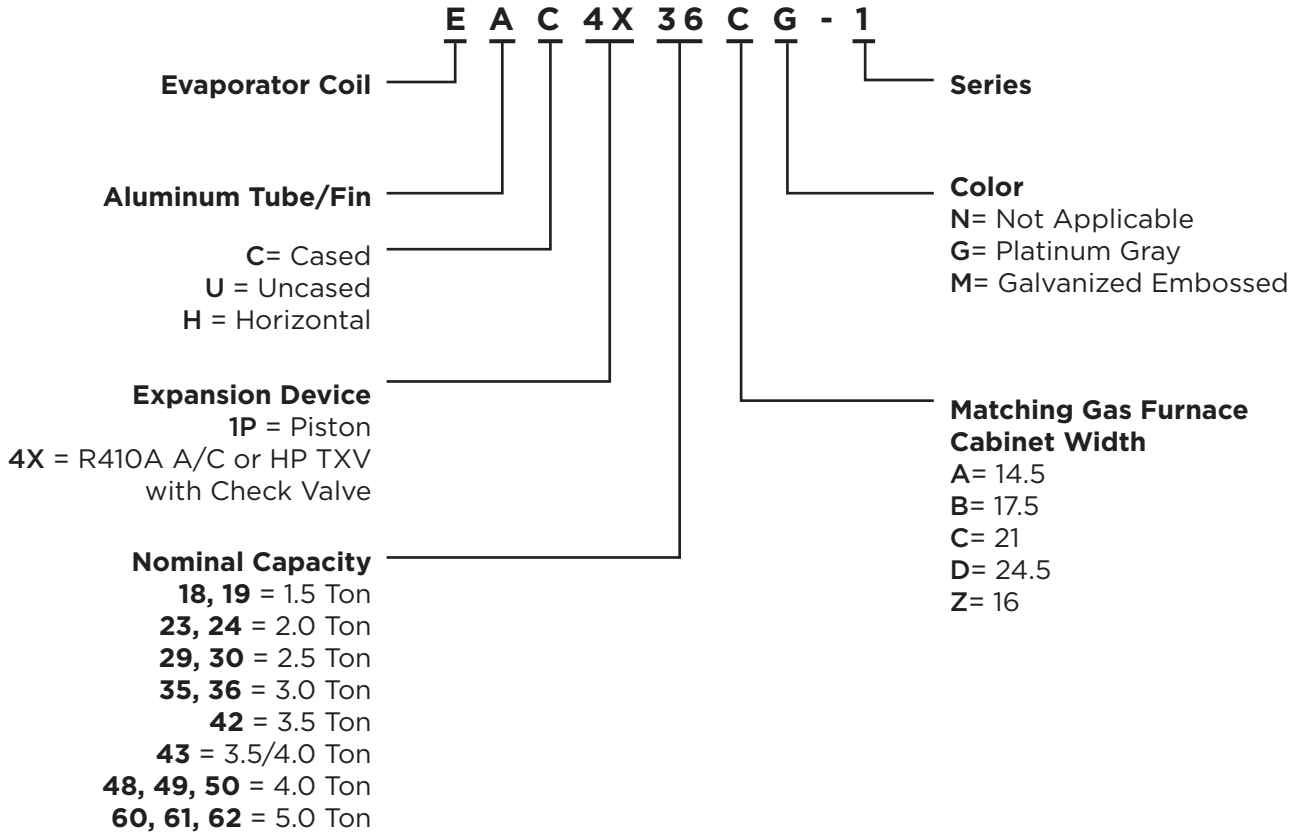
EAH1P

WARRANTY

10 year limited parts warranty available when applied with a system. See limited warranty document for details.



MODEL NUMBER GUIDE



EAC1P

SPECIFICATIONS					1.5 TO 2 TON
General Data	Uncased Model No.	EAU1P-18/24	EAU1P-18/24B	EAUC1P-24A	EAU1P-24B
	Cased Model No.	EAC1P-18/24	EAC1P-18/24B	EAC1P-24A	EAC1P-24B
Line Connections in.	Suction / vapor o.d. - sweat	3/4	3/4	3/4	3/4
	Liquid o.d. - sweat	3/8	3/8	3/8	3/8
	Condensate drain (fpt)	(2) 3/4	(2) 3/4	(2) 3/4	(2) 3/4
RFCIV metering device orifice size		0.053	0.053	0.057	0.057
Shipping Data - lbs.	Uncased	18	20	23	24
	Cased	30	34	38	43

¹ Uncased coils match furnaces without any overhang but require optional adaptor base or field fabricated transition to match furnace width.

SPECIFICATIONS					2.5 TO 3 TON
General Data	Uncased Model No.	EAU1P-30A	EAU1P-30B	EAU1P-30/36A	EAU1P-30/36B
	Cased Model No.	EAC1P-30A	EAC1P-30B	EAC1P-30/36A	EAC1P-30/36B
Line Connections in.	Suction / vapor o.d. - sweat	3/4	3/4	3/4	3/4
	Liquid o.d. - sweat	3/8	3/8	3/8	3/8
	Condensate drain (fpt)	(2) 3/4	(2) 3/4	(2) 3/4	(2) 3/4
RFCIV metering device orifice size		0.067	0.067	0.057	0.057
Shipping Data - lbs.	Uncased	31	32	26	27
	Cased	45	50	41	45

¹ Uncased coils match furnaces without any overhang but require optional adaptor base or field fabricated transition to match furnace width.

SPECIFICATIONS					2.5 TO 4 TON	
General Data	Uncased Model No.	EAU1P-30/36C	EAU1P-36A	EAU1P-36B	EAU1P-48B	EAU1P-48C
	Cased Model No.	EAC1P-30/36C	EAC1P-36A	EAC1P-36B	EAC1P-48B	EAC1P-48C
	Nominal size - Tons	2.5 / 3	3	3	3.5 / 4	3.5 / 4
Line Connections in.	Suction / vapor o.d. - sweat	3/4	3/4	3/4	7/8	7/8
	Liquid o.d. - sweat	3/8	3/8	3/8	3/8	3/8
	Condensate drain (fpt)	(2) 3/4	(2) 3/4	(2) 3/4	(2) 3/4	(2) 3/4
RFCIV metering device orifice size		0.057	0.070	0.070	0.071	0.071
Shipping Data - lbs.	Uncased	29	31	33	43	44
	Cased	48	46	50	55	60

¹ Uncased coils match furnaces without any overhang but require optional adaptor base or field fabricated transition to match furnace width.

EAC1P Continued

SPECIFICATIONS		4 TO 5 TON			
General Data	Uncased Model No.	EAU1P-49C	EAU1P-50/60C	EAU1P-60C	EAU1P-60D
	Cased Model No.	EAC1P-49C	EAC1P-50/60C	EAC1P-60C	EAC1P-60D
	Nominal size - Tons	4	4 / 5	5	5
Line Connections in.	Suction / vapor o.d. - sweat	7/8	7/8	7/8	7/8
	Liquid o.d. - sweat	3/8	3/8	3/8	3/8
	Condensate drain (fpt)	(2) 3/4	(2) 3/4	(2) 3/4	(2) 3/4
RFCIV metering device orifice size		0.076	0.070	0.077	0.077
Shipping Data - lbs.	Uncased	53	40	58	48
	Cased	70	60	73	72

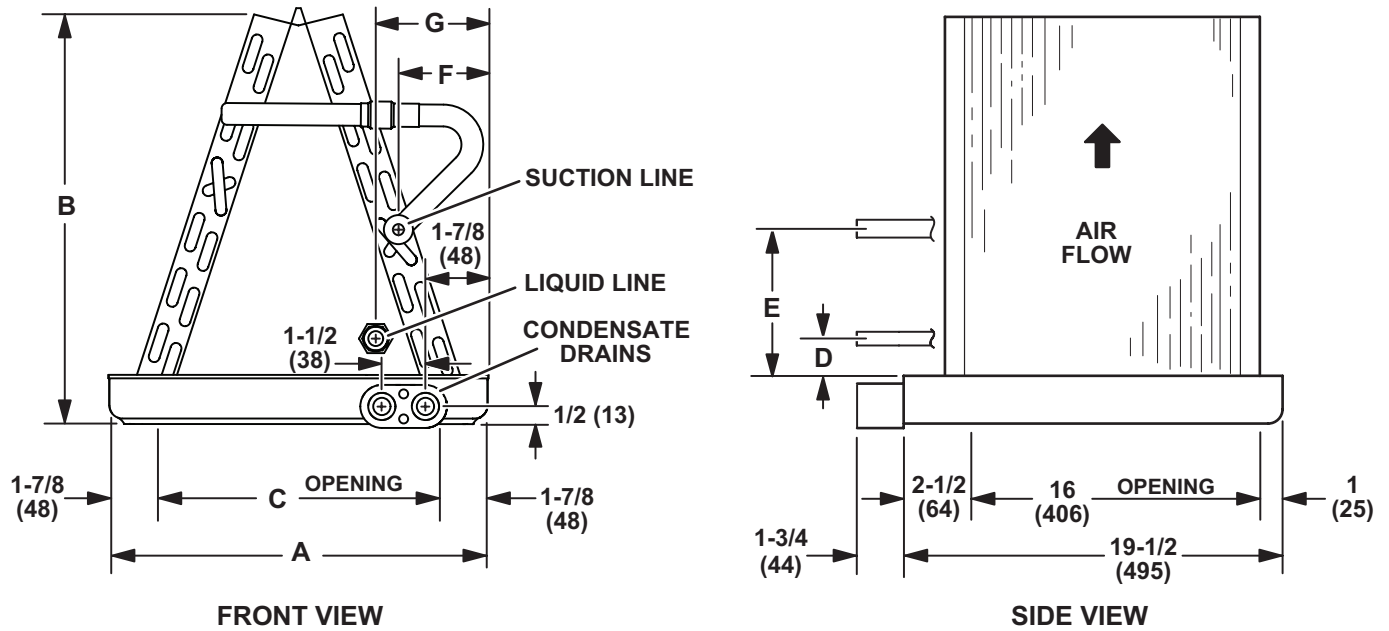
¹ Uncased coils match furnaces without any overhang but require optional adaptor base or field fabricated transition to match furnace width.

EAC1P / EAU1P

AIR RESISTANCE

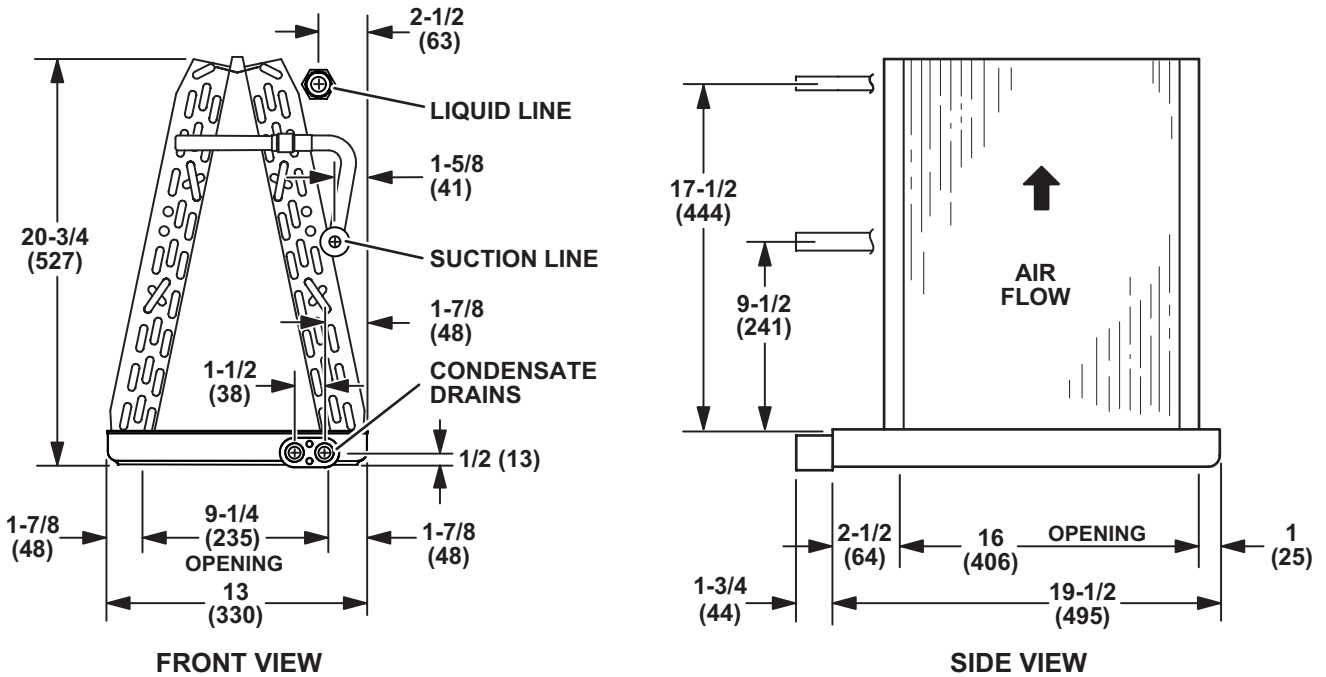
Model No.	Air Volume cfm	Total Resistance		Model No.	Air Volume cfm	Total Resistance	
		Dry Coil	Wet Coil			Dry Coil	Wet Coil
		in. w.g.	in. w.g.			in. w.g.	in. w.g.
EAC1P-18/24A	400	0.06	0.08	EAC1P-36A	800	0.13	0.14
EAC1P-18/24B	600	0.11	0.17		1000	0.19	0.21
	800	0.18	0.25		1200	0.27	0.30
	1000	0.27	0.39		1400	0.34	0.39
	1200	0.37	0.52		1600	0.45	0.51
EAC1P-24A	400	0.05	0.05	EAC1P-48B	1000	0.13	0.13
	600	0.09	0.10		1200	0.18	0.18
	800	0.16	0.18		1400	0.23	0.24
	1000	0.23	0.26		1600	0.30	0.31
	1200	0.32	0.36		1800	0.37	0.40
EAC1P-24B	400	0.03	0.04	EAC1P-48C	1000	0.07	0.09
	600	0.07	0.09		1200	0.10	0.12
	800	0.11	0.15		1400	0.13	0.16
	1000	0.17	0.22		1600	0.16	0.20
	1200	0.23	0.31		1800	0.20	0.24
EAC1P-30A	600	0.07	0.08	EAC1P-49C	1200	0.08	0.12
	800	0.12	0.13		1400	0.13	0.17
	1000	0.18	0.20		1600	0.17	0.22
	1200	0.26	0.28		1800	0.22	0.28
	1400	0.34	0.37		2000	0.28	0.35
EAC1P-30B	600	0.06	0.06	EAC1P-50/60C	1200	0.13	0.17
	800	0.09	0.11		1400	0.18	0.23
	1000	0.13	0.16		1600	0.23	0.29
	1200	0.19	0.23		1800	0.28	0.37
	1400	0.25	0.31		2000	0.34	0.43
EAC1P-30/36A	800	0.13	0.14	EAC1P-60D	1400	0.11	0.15
	1000	0.19	0.21		1600	0.14	0.18
	1200	0.27	0.30		1800	0.17	0.21
	1400	0.34	0.39		2000	0.21	0.27
	1600	0.45	0.51		2200	0.25	0.32
EAC1P-30/36B	800	0.08	0.11		2400	0.30	0.37
EAC1P-30/36C	1000	0.13	0.16	EAC1P-60C	1400	0.15	0.19
EAC1P-36B	1200	0.17	0.21		1600	0.19	0.23
	1400	0.22	0.28		1800	0.24	0.28
	1600	0.29	0.34		2000	0.29	0.34
					2200	0.33	0.40
					2400	0.39	0.46

EAU1P-18/24A, -18/24B, -24A, -24B Coils

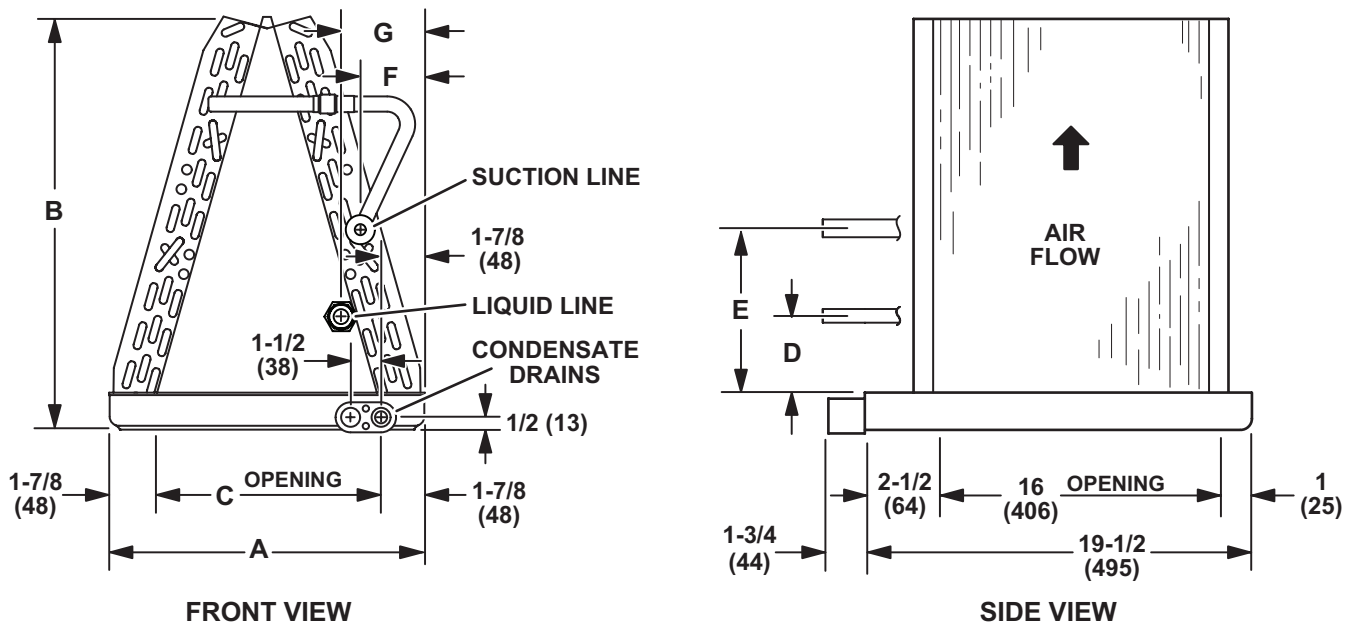


Model Number	A		B		C		D		E		F		G	
	in.	mm	in.	mm	in.	mm	in.	mm	in.	mm	in.	mm	in.	mm
EAU1P-18/24A	13	330	14-1/8	359	9-1/4	235	1-1/4	32	5	127	3-1/8	79	3-7/8	98
EAU1P-18/24B	15-1/2	394	14-1/8	359	11-3/4	298	1	25	4-5/8	117	2-7/8	73	3-5/8	92
EAU1P-24A	13	330	16-3/8	416	9-1/4	235	2-7/8	73	7-5/8	194	3-1/8	79	3-3/4	95
EAU1P-24B	15-1/2	394	16-3/8	416	11-3/4	298	2-1/4	57	7-1/2	190	3-1/8	79	4	102

EAU1P35-30A Coil

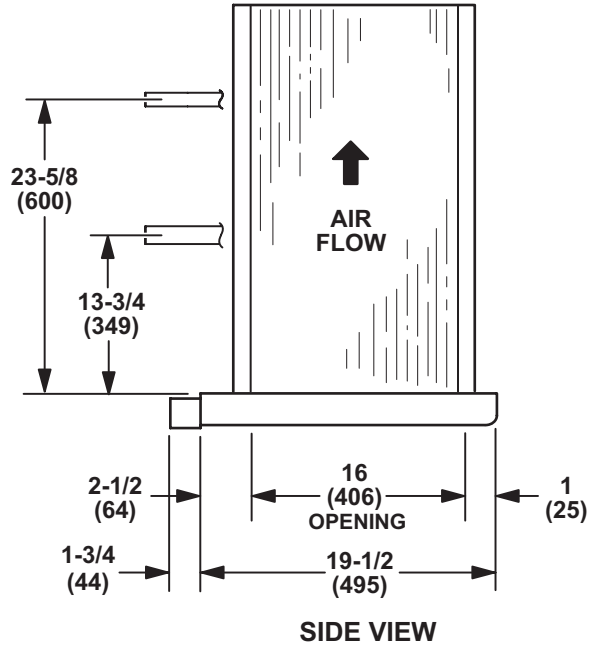
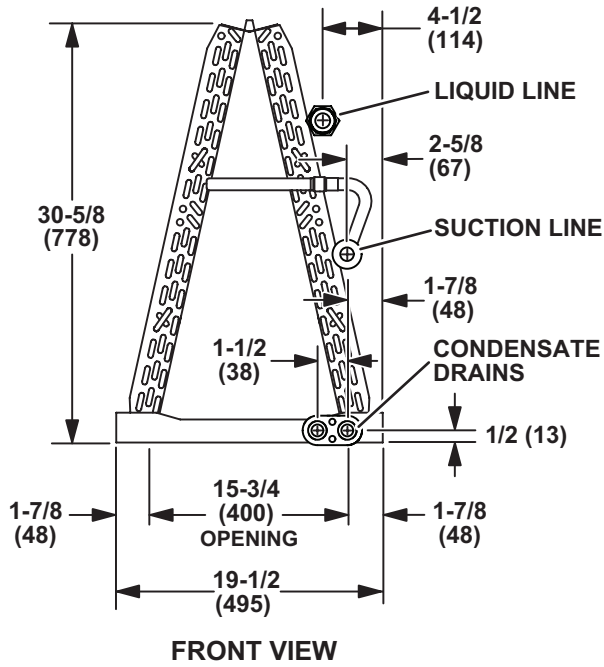


EAU1P-30B, -30/36A, -30/36B, -30/36C, -36A, -36B, -48B, -48C, -49C, -50/60C Coils

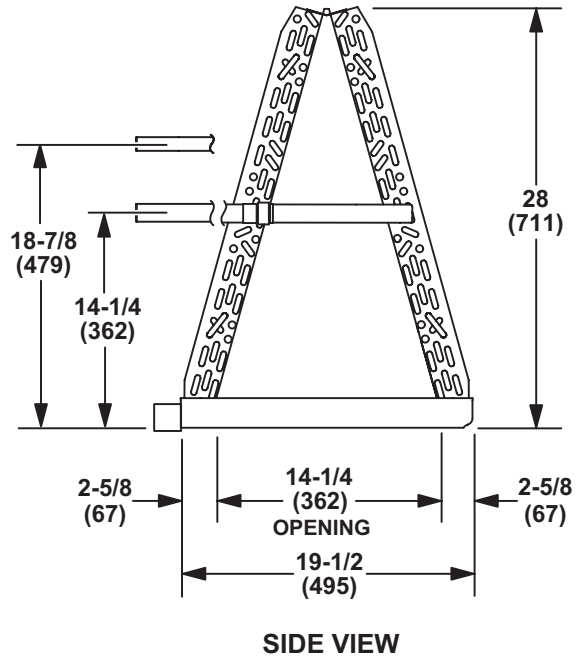
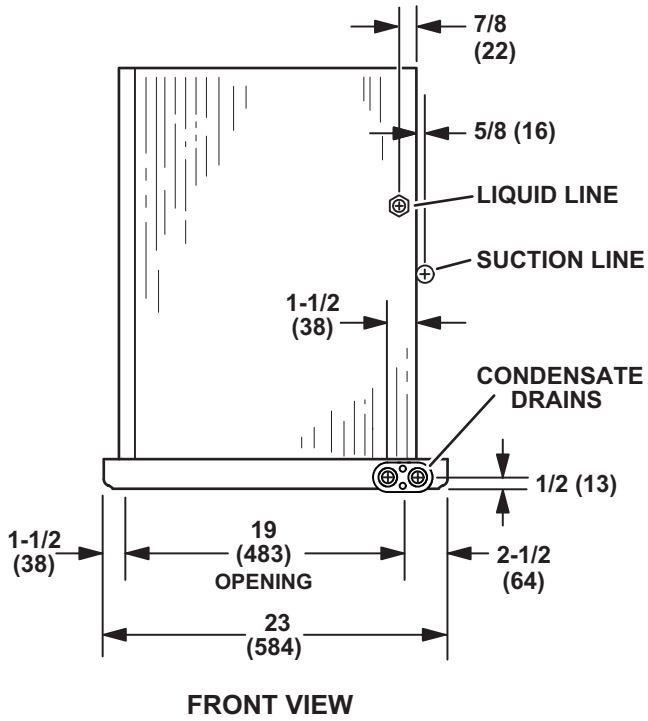


Model Number	A		B		C		D		E		F		G	
	in.	mm	in.	mm	in.	mm	in.	mm	in.	mm	in.	mm	in.	mm
EAU1P-30B	15-1/2	394	20-3/4	527	11-3/4	298	3-1/8	79	8	203	3-1/8	79	4	102
EAU1P-30/36A	13	330	22-1/4	565	9-1/4	235	2-1/2	64	11-3/4	298	3-1/8	79	3-7/8	98
EAU1P-30/36B	15-1/2	394	22-1/4	565	11-3/4	298	2-5/8	67	11	279	3-1/8	79	4	102
EAU1P-30/36C	20	508	22-1/4	565	16-1/4	413	2-3/8	60	11-7/8	302	3-1/8	79	4	102
EAU1P-36A	13	330	22-3/8	568	9-1/4	235	4-1/4	108	12-5/8	321	2-1/2	64	3-1/2	89
EAU1P-36B	15-1/2	394	22-3/8	568	11-3/4	298	4-1/2	114	13	330	2-7/8	73	3-5/8	92
EAU1P-48B	15-1/2	394	26-1/4	667	11-3/4	298	4-3/8	111	12-1/4	311	3-1/8	79	3-3/4	95
EAU1P-48C	20	508	26-1/4	667	16-1/4	413	4-1/8	105	11-3/4	298	3-1/8	79	3-3/4	95
EAU1P-49C	19-1/2	495	28-1/2	724	15-3/4	400	4-1/2	114	11-1/4	286	2-5/8	67	3-3/4	95
EAU1P-50/60C	20	508	25-7/8	657	16-1/4	413	3-3/4	95	11-3/4	298	3-1/8	79	4	102

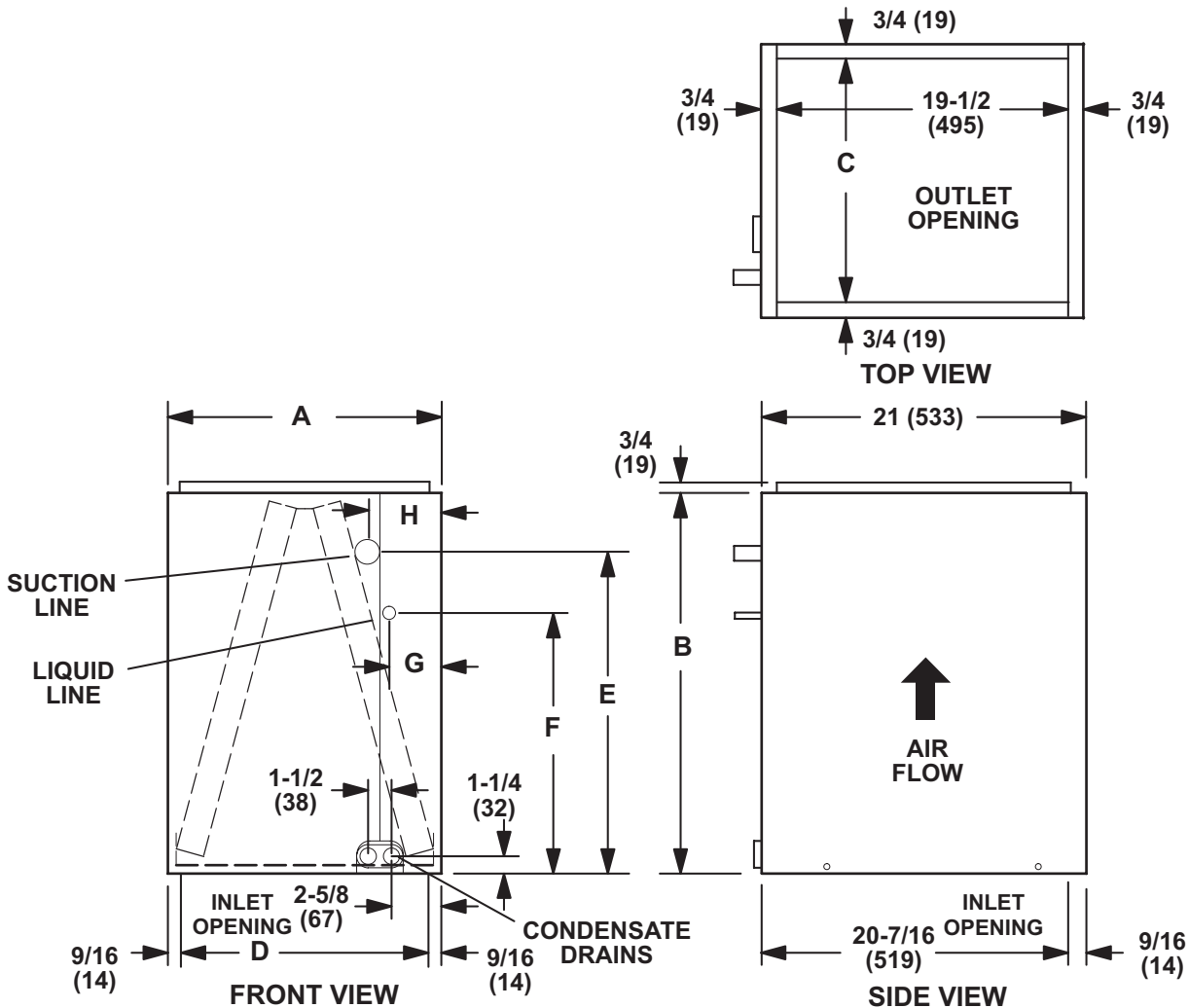
EAU1P-60C Coil



EAU1P-60D Coil



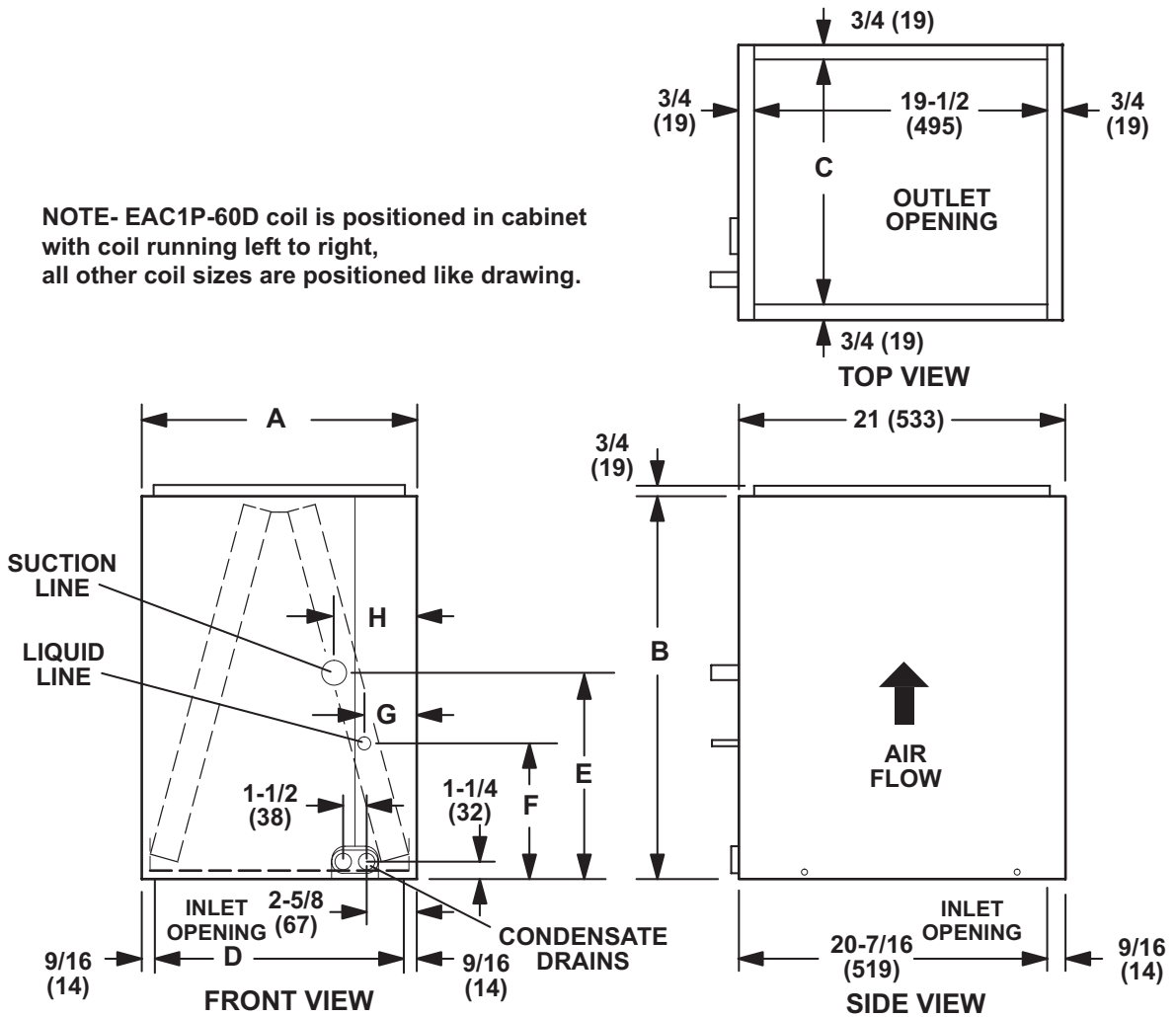
EAC1P-18/24(A/B), -30/36(A/B/C), -36(A/B) Coils



Model Number	A		B		C		D		E		F		G		H	
	in.	mm	in.	mm	in.	mm	in.	mm	in.	mm	in.	mm	in.	mm	in.	mm
EAC1P-18/24A	14-1/2	368	16-1/2	419	13	330	13-3/8	340	7-3/8	187	3-1/2	89	3	76	3-7/8	98
EAC1P-18/24B	17-1/2	445	16-1/2	419	16	406	16-3/8	416	7	178	3-1/2	89	3	76	3-7/8	98
EAC1P-30/36A	14-1/2	368	24-1/2	622	13	330	13-3/8	340	14-1/4	362	4-3/4	121	3	76	3-7/8	98
EAC1P-30/36B	17-1/2	445	24-1/2	622	16	406	16-3/8	416	13-3/8	340	4-3/4	121	3	76	4-1/8	108
EAC1P-30/36C	21	533	24-1/2	622	19-1/2	495	19-7/8	505	14-3/8	365	4-3/4	121	3	76	3-5/8	92
EAC1P-36A	14-1/2	368	24-1/2	622	13	330	13-3/8	340	13-1/2	343	4-3/4	121	2	52	3-1/4	83
EAC1P-36B	17-1/2	445	24-1/2	622	16	406	16-3/8	416	13-3/4	350	4-3/4	121	2-5/8	67	3-7/8	98

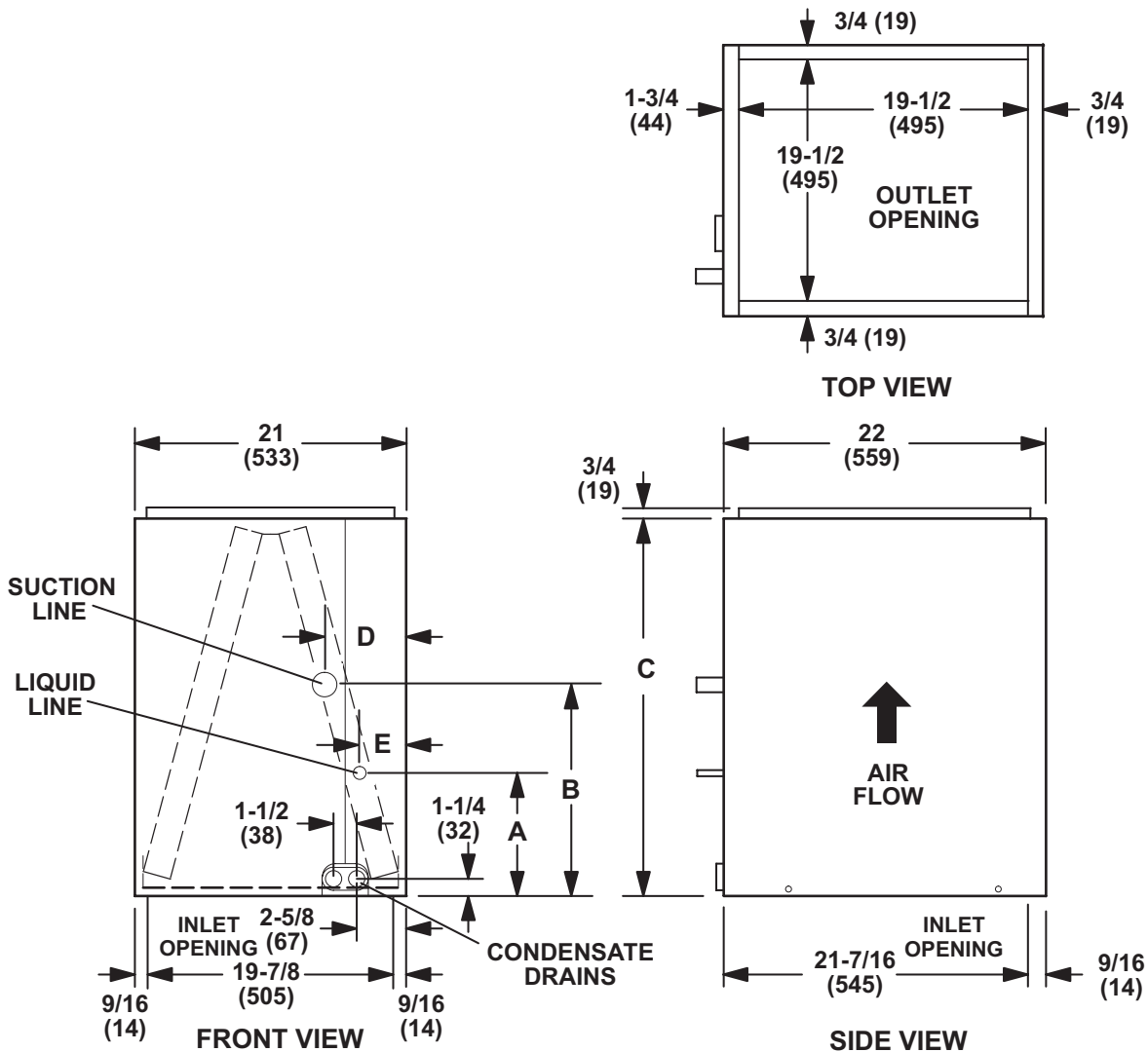
EAC1P-24(A/B), -30(A/B), -48(B/C), -50/60C and -60D Coils

NOTE- EAC1P-60D coil is positioned in cabinet with coil running left to right, all other coil sizes are positioned like drawing.



Model Number	A		B		C		D		E		F		G		H	
	in.	mm	in.	mm	in.	mm	in.	mm	in.	mm	in.	mm	in.	mm	in.	mm
EAC1P-24A	14-1/2	368	18-1/2	470	13	330	13-3/8	340	10-1/8	257	3-3/8	86	3	76	3-7/8	98
EAC1P-24B	17-1/2	445	18-1/2	470	16	406	16-3/8	416	10	254	3-1/2	89	3	76	3-7/8	98
EAC1P-30A	14-1/2	368	22-1/2	572	13	330	13-3/8	340	12	305	3-3/8	86	3	76	3-7/8	98
EAC1P-30B	17-1/2	445	22-1/2	572	16	406	16-3/8	416	10-1/2	267	3-3/8	86	3	76	3-7/8	98
EAC1P-48B	17-1/2	445	27-1/2	699	16	406	16-3/8	416	12-7/8	327	3-7/8	98	3	76	4	102
EAC1P-48C	21	533	27-1/2	699	19-1/2	495	19-7/8	505	12-1/2	318	4-3/4	121	2-3/4	70	3-1/2	89
EAC1P-50/60C	21	533	27-1/2	699	19-1/2	495	19-7/8	505	12-1/2	318	4-3/4	121	2-3/4	70	3-1/2	89
EAC1P-60D	24-1/2	622	29-1/2	749	23	584	23-3/8	594	15-1/8	384	4-1/2	121	1-5/8	41	2-5/8	67

EAC1P-49C and EAC1P-60C



Model Number	A		B		C		D		E	
	in.	mm	in.	mm	in.	mm	in.	mm	in.	mm
EAC1P-49C	4-3/4	121	12-1/8	308	29-1/2	749	3-3/8	86	2-1/2	64
EAC1P-60C	4-3/4	121	14-1/2	368	31-1/2	800	3-3/8	86	2-1/2	64

EAH1P

SPECIFICATIONS		1.5 TO 3 TON						
General Data	Model No.	EAH1P-18A	EAH1P-24A	EAH1P-24B	EAH1P-30A	EAH1P-30B	EAH1P-36A	EAH1P-36B
	Nominal size - Tons	1.5	2	2	2.5	2.5	3	3
Line connections in.	Suction o.d. - sweat	3/4	3/4	3/4	3/4	3/4	3/4	3/4
	Liquid o.d. - sweat	3/8	3/8	3/8	3/8	3/8	3/8	3/8
	Condensate drain (fpt)	(2) 3/4	(2) 3/4	(2) 3/4	(2) 3/4	(2) 3/4	(2) 3/4	(2) 3/4
Shipping Data - lbs.		43	45	49	55	53	47	48

SPECIFICATIONS		3 TO 5 TON						
General Data	Model No.	EAH1P-36C	EAH1P-42B	EAH1P-42C	EAH1P-48B	EAH1P-48C	EAH1P-51C	EAH1P-60D
	Nominal size - Tons	3	3.5	3.5	3.5/4	3.5/4	4	5
Line connections in.	Suction o.d. - sweat	3/4	7/8	7/8	7/8	7/8	7/8	7/8
	Liquid o.d. - sweat	3/8	3/8	3/8	3/8	3/8	3/8	3/8
	Condensate drain (fpt)	(2) 3/4	(2) 3/4	(2) 3/4	(2) 3/4	(2) 3/4	(2) 3/4	(2) 3/4
Shipping Data - lbs.		55	66	60	60	59	69	78

EAH1P

AIR RESISTANCE

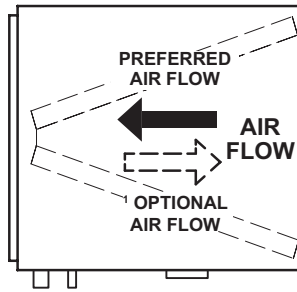
Air Volume cfm	Total Air Resistance - in. w.g.													
	EAH1P-18A		EAH1P-24A		EAH1P-24B		EAH1P-30A		EAH1P-30B		EAH1P-36A		EAH1P-36B	
	Dry Coil	Wet Coil	Dry Coil	Wet Coil	Dry Coil	Wet Coil	Dry Coil	Wet Coil	Dry Coil	Wet Coil	Dry Coil	Wet Coil	Dry Coil	Wet Coil
200	0.02	0.02	---	---	---	---	---	---	---	---	---	---	---	---
400	0.05	0.06	0.04	0.05	0.03	0.04	0.04	0.05	0.02	0.02	---	---	---	---
600	0.09	0.11	0.09	0.11	0.05	0.07	0.09	0.10	0.05	0.06	---	---	---	---
800	0.15	0.17	0.15	0.19	0.09	0.11	0.15	0.17	0.09	0.11	0.15	0.18	0.08	0.10
1000	0.22	0.25	0.23	0.29	0.15	0.17	0.24	0.27	0.14	0.16	0.22	0.27	0.11	0.16
1200	---	---	0.32	0.40	0.21	0.23	0.34	0.38	0.19	0.23	0.30	0.39	0.16	0.21
1400	---	---	0.43	0.50	0.28	0.30	0.45	0.51	0.26	0.30	0.41	0.48	0.21	0.27
1600	---	---	---	---	---	---	---	---	---	---	0.53	0.63	0.27	0.35

AIR RESISTANCE

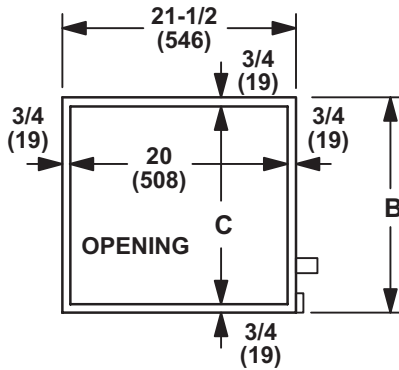
Air Volume cfm	EAH1P-36C		EAH1P-42B		EAH1P-42C		EAH1P-48B		EAH1P-48C		EAH1P-51C		EAH1P-60D	
	Dry Coil	Wet Coil	Dry Coil	Wet Coil	Dry Coil	Wet Coil	Dry Coil	Wet Coil	Dry Coil	Wet Coil	Dry Coil	Wet Coil	Dry Coil	Wet Coil
800	0.06	0.08	0.10	0.10	0.06	0.06	---	---	---	---	---	---	---	---
1000	0.10	0.13	0.14	0.18	0.09	0.10	0.14	0.16	---	---	---	---	---	---
1200	0.15	0.18	0.20	0.25	0.15	0.16	0.19	0.23	0.16	0.19	0.15	0.16	---	---
1400	0.19	0.23	0.26	0.31	0.18	0.21	0.25	0.29	0.21	0.26	0.20	0.23	0.12	0.16
1600	0.24	0.31	0.34	0.36	0.26	0.28	0.30	0.38	0.27	0.30	0.25	0.29	0.16	0.20
1800	---	---	0.42	0.47	0.31	0.38	0.38	0.42	0.33	0.39	0.31	0.36	0.20	0.24
2000	---	---	---	---	---	---	---	---	0.39	0.49	0.40	0.44	0.24	0.30
2200	---	---	---	---	---	---	---	---	---	---	0.48	0.54	0.29	0.36
2400	---	---	---	---	---	---	---	---	---	---	---	---	0.34	0.42

EH1P-18 Through EH1P-60

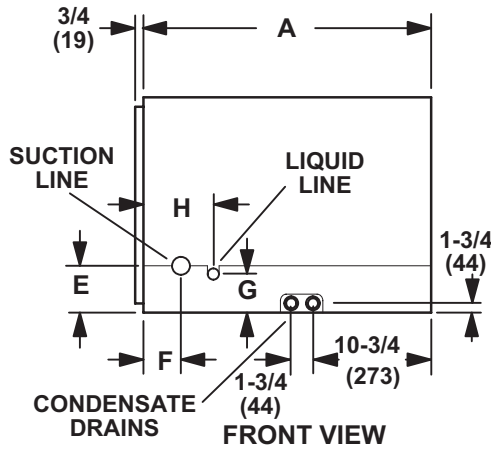
¹ Optional right-hand airflow requires a field fabricated 6 in. (152 mm) spacer in-between the furnace and coil.



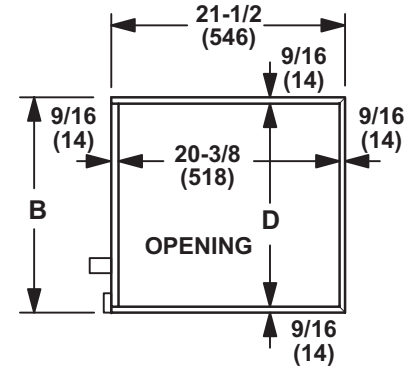
TOP VIEW



END VIEW



FRONT VIEW



END VIEW

Model No.	A		B		C		D		E		F		G		H	
	in.	mm	in.	mm	in.	mm	in.	mm	in.	mm	in.	mm	in.	mm	in.	mm
EAH1P-18A	26-1/2	673	14-1/2	368	13	330	13-3/8	340	4	102	2-1/8	54	3	76	4-7/8	124
EAH1P-24A	26-1/2	673	14-1/2	368	13	330	13-3/8	340	4	102	2-1/8	54	3	76	4-7/8	124
EAH1P-24B	26-1/2	673	17-1/2	444	16	406	16-3/8	416	4	102	2-1/8	54	3	76	4-7/8	124
EAH1P-30A	31-1/2	800	14-1/2	368	13	330	13-3/8	340	4	102	2-1/8	54	3	76	4-7/8	124
EAH1P-30B	26-1/2	673	17-1/2	444	16	406	16-3/8	416	4	102	2-1/8	54	3	76	4-7/8	124
EAH1P-36A	26-1/2	673	14-1/2	368	13	330	13-3/8	340	4	102	2-1/8	54	3	76	4-7/8	124
EAH1P-36B	26-1/2	673	17-1/2	444	16	406	16-3/8	416	4	102	2-1/8	54	3	76	4-7/8	124
EAH1P-36C	26-1/2	673	21	533	19-1/2	495	19-7/8	505	4	102	2-1/8	54	3	76	4-7/8	124
EAH1P-42B	31-1/2	800	17-1/2	444	16	406	16-3/8	416	4	102	2-1/8	54	3	76	4-7/8	124
EAH1P-42C	26-1/2	673	21	533	19-1/2	495	19-7/8	505	4	102	2-1/8	54	3	76	4-7/8	124
EAH1P-48B	31-1/2	800	17-1/2	444	16	406	16-3/8	416	4	102	2-1/8	54	3	76	4-7/8	124
EAH1P-48C	26-1/2	673	21	533	19-1/2	495	19-7/8	505	4	102	2-1/8	54	3	76	4-7/8	124
EAH1P-51C	31-1/2	800	21	533	19-1/2	495	19-7/8	505	4	102	2-1/8	54	3	76	4-7/8	124
EAH1P-60D	31-1/2	800	24-1/2	622	23	584	23-3/8	594	4	102	2-1/8	54	3	76	4-7/8	124

EAC4X

SPECIFICATIONS					1.5 TO 2 TON	
General Data		Model No.	EAC4X-18/24A	EAC4X-18/24B	EAC4X-24A	EAC4X-24B
Nominal size - Tons			1.5 / 2	1.5 / 2	2	2
Line Connections in.	Suction / vapor o.d. - sweat		3/4	3/4	3/4	3/4
	Liquid o.d. - sweat		3/8	3/8	3/8	3/8
	Condensate drain (fpt)		(2) 3/4	(2) 3/4	(2) 3/4	(2) 3/4
Shipping Data - lbs.			30	34	38	43

SPECIFICATIONS					2.5 TO 3 TON	
General Data		Model No.	EAC4X-30A	EAC4X-30B	EAC4X-30/36A	EAC4X-30/36B
Nominal size - Tons			2.5	2.5	2.5 / 3	2.5 / 3
Line Connections in.	Suction / vapor o.d. - sweat		3/4	3/4	3/4	3/4
	Liquid o.d. - sweat		3/8	3/8	3/8	3/8
	Condensate drain (fpt)		(2) 3/4	(2) 3/4	(2) 3/4	(2) 3/4
Shipping Data - lbs.			45	50	41	45

SPECIFICATIONS					2.5 TO 4 TON		
General Data		Model No.	EAC4X-30/36C	EAC4X-36A	EAC4X-36B	EAC4X-48B	EAC4X-48C
Nominal size - Tons			2.5 / 3	3	3	3.5 / 4	3.5 / 4
Line Connections in.	Suction / vapor o.d. - sweat		3/4	3/4	3/4	7/8	7/8
	Liquid o.d. - sweat		3/8	3/8	3/8	3/8	3/8
	Condensate drain (fpt)		(2) 3/4	(2) 3/4	(2) 3/4	(2) 3/4	(2) 3/4
Shipping Data - lbs.			48	46	50	55	60

SPECIFICATIONS					4 TO 5 TON	
General Data		Model No.	EAC4X-49C	EAC4X-50/60C	EAC4X-60C	EAC4X-60D
Nominal size - Tons			4	4 / 5	5	5
Line Connections in.	Suction / vapor o.d. - sweat		7/8	7/8	7/8	7/8
	Liquid o.d. - sweat		3/8	3/8	3/8	3/8
	Condensate drain (fpt)		(2) 3/4	(2) 3/4	(2) 3/4	(2) 3/4
Shipping Data - lbs.			70	60	73	72

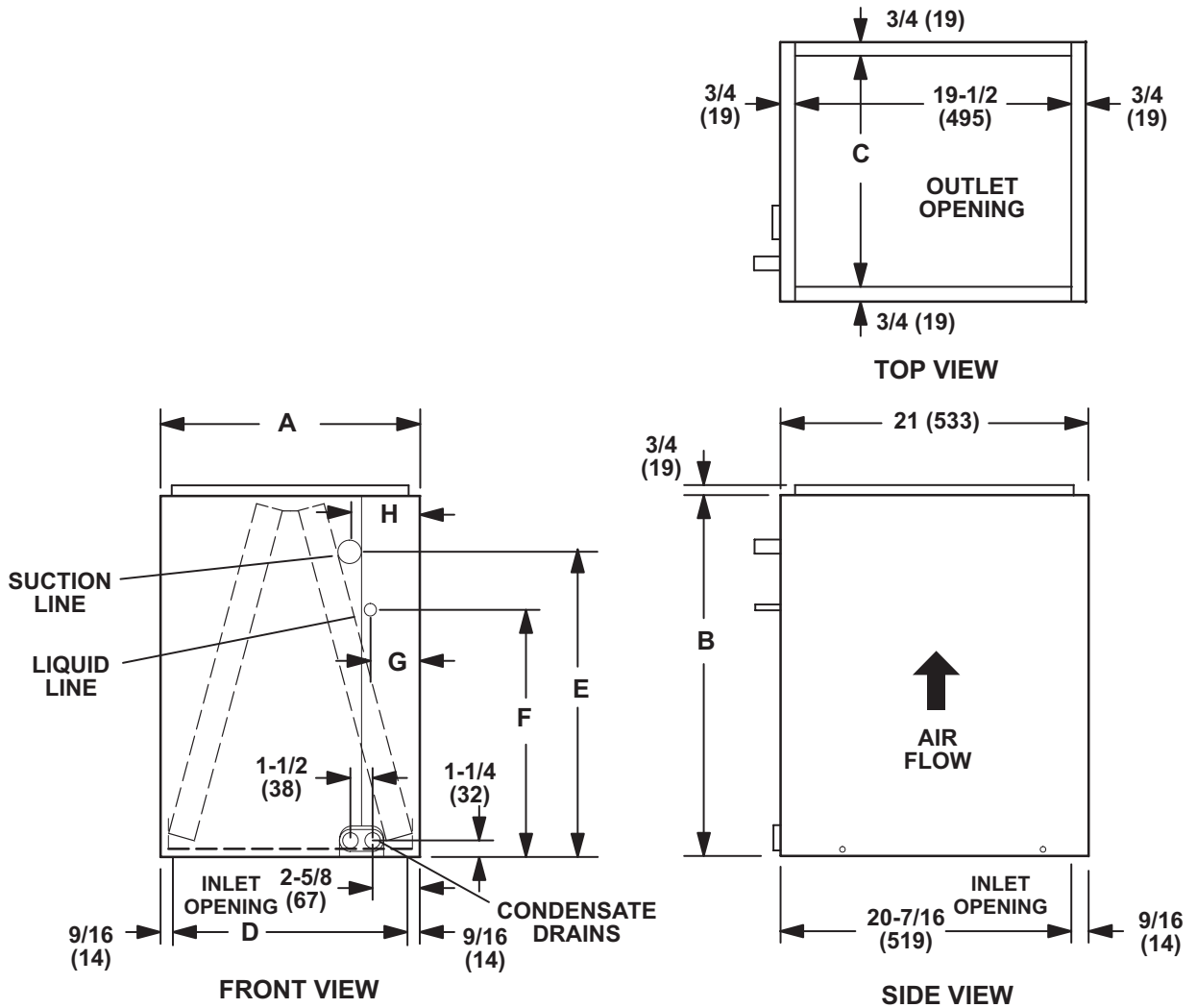
EAC4X

AIR RESISTANCE

Model No.	Air Volume cfm	Total Resistance	
		Dry Coil	Wet Coil
		in. w.g.	in. w.g.
EAC4X35-18/24A EAC4X35-18/24B	400	0.06	0.08
	600	0.11	0.17
	800	0.18	0.25
	1000	0.27	0.39
	1200	0.37	0.52
EAC4X35-24A	400	0.05	0.05
	600	0.09	0.10
	800	0.16	0.18
	1000	0.23	0.26
	1200	0.32	0.36
EAC4X35-24B	400	0.03	0.04
	600	0.07	0.09
	800	0.11	0.15
	1000	0.17	0.22
	1200	0.23	0.31
EAC4X35-30A	600	0.07	0.08
	800	0.12	0.13
	1000	0.18	0.20
	1200	0.26	0.28
	1400	0.34	0.37
EAC4X35-30B	600	0.06	0.06
	800	0.09	0.11
	1000	0.13	0.16
	1200	0.19	0.23
	1400	0.25	0.31
EAC4X35-30/36A	800	0.13	0.14
	1000	0.19	0.21
	1200	0.27	0.30
	1400	0.34	0.39
	1600	0.45	0.51
EAC4X35-30/36B EAC4X35-30/36C EAC4X35-36B	800	0.08	0.11
	1000	0.13	0.16
	1200	0.17	0.21
	1400	0.22	0.28
	1600	0.29	0.34

Model No.	Air Volume cfm	Total Resistance	
		Dry Coil	Wet Coil
		in. w.g.	in. w.g.
EAC4X35-36A	800	0.13	0.14
	1000	0.19	0.21
	1200	0.27	0.30
	1400	0.34	0.39
	1600	0.45	0.51
EAC4X35-48B	1000	0.13	0.13
	1200	0.18	0.18
	1400	0.23	0.24
	1600	0.30	0.31
	1800	0.37	0.40
EAC4X35-48C	1000	0.07	0.09
	1200	0.10	0.12
	1400	0.13	0.16
	1600	0.16	0.20
	1800	0.20	0.24
EAC4X35-49C	1200	0.08	0.12
	1400	0.13	0.17
	1600	0.17	0.22
	1800	0.22	0.28
	2000	0.28	0.35
EAC4X35-50/60C	1200	0.13	0.17
	1400	0.18	0.23
	1600	0.23	0.29
	1800	0.28	0.37
	2000	0.34	0.43
EAC4X35-60D	1400	0.11	0.15
	1600	0.14	0.18
	1800	0.17	0.21
	2000	0.21	0.27
	2200	0.25	0.32
	2400	0.30	0.37
EAC4X35-60C	1400	0.15	0.19
	1600	0.19	0.23
	1800	0.24	0.28
	2000	0.29	0.34
	2200	0.33	0.40
	2400	0.39	0.46

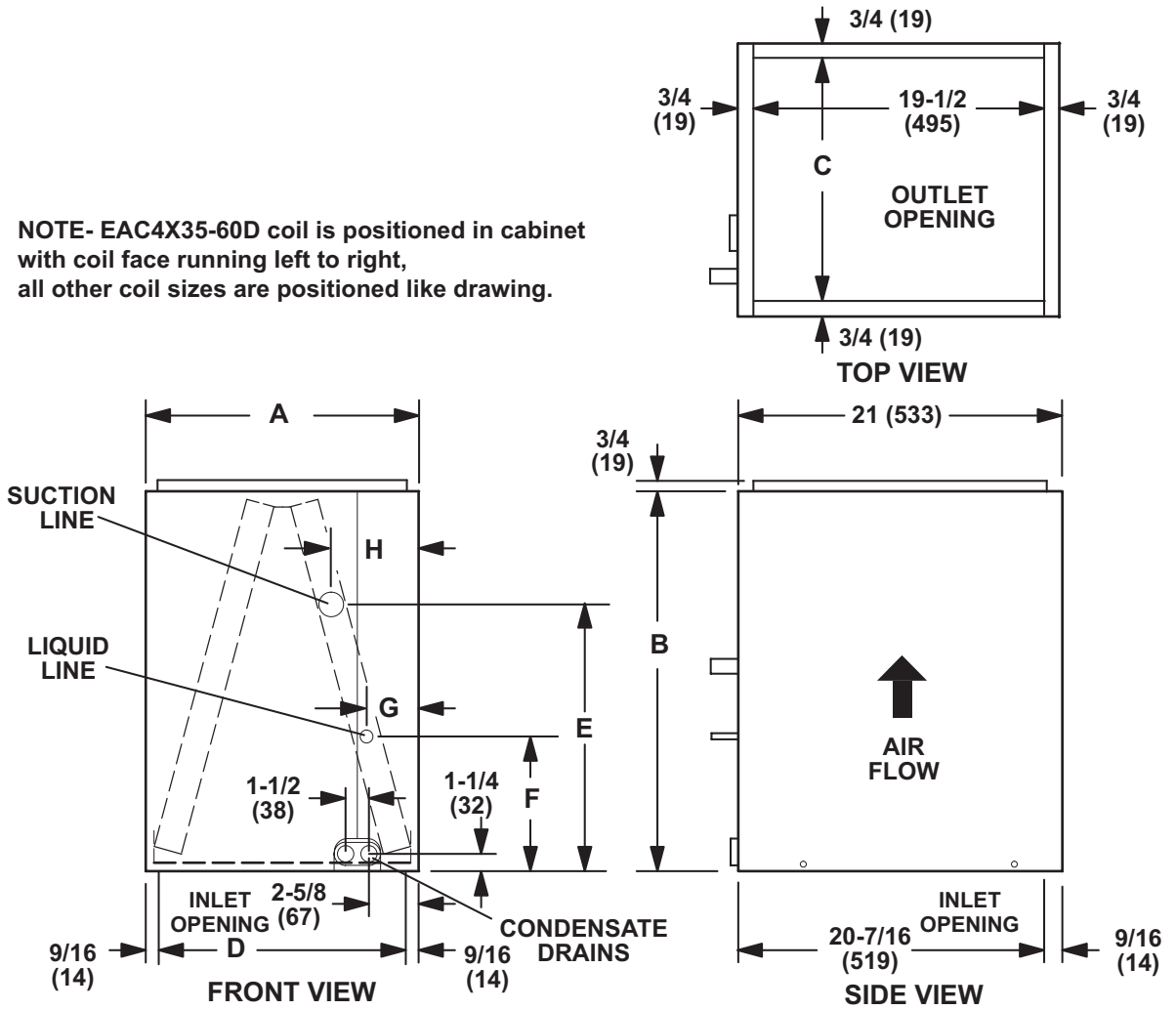
EAC4X-18/24(A/B), -30/36(A/B/C) and -36(A/B) Coils



Model Number	A		B		C		D		E		F		G		H	
	in.	mm	in.	mm	in.	mm	in.	mm	in.	mm	in.	mm	in.	mm	in.	mm
EAC4X-18/24A	14-1/2	368	16-1/2	419	13	330	13-3/8	340	7-3/8	187	3-1/2	89	3	76	3-7/8	98
EAC4X-18/24B	17-1/2	445	16-1/2	419	16	406	16-3/8	416	7	178	3-1/2	89	3	76	3-7/8	98
EAC4X-30/36A	14-1/2	368	24-1/2	622	13	330	13-3/8	340	14-1/4	362	4-3/4	121	3	76	3-7/8	98
EAC4X-30/36B	17-1/2	445	24-1/2	622	16	406	16-3/8	416	13-3/8	340	4-3/4	121	3	76	4-1/8	108
EAC4X-30/36C	21	533	24-1/2	622	19-1/2	495	19-7/8	505	14-3/8	365	4-3/4	121	3	76	3-5/8	92
EAC4X-36A	14-1/2	368	24-1/2	622	13	330	13-3/8	340	13-1/2	343	4-3/4	121	2	52	3-1/4	83
EAC4X-36B	17-1/2	445	24-1/2	622	16	406	16-3/8	416	13-3/4	350	4-3/4	121	2-5/8	67	3-7/8	98

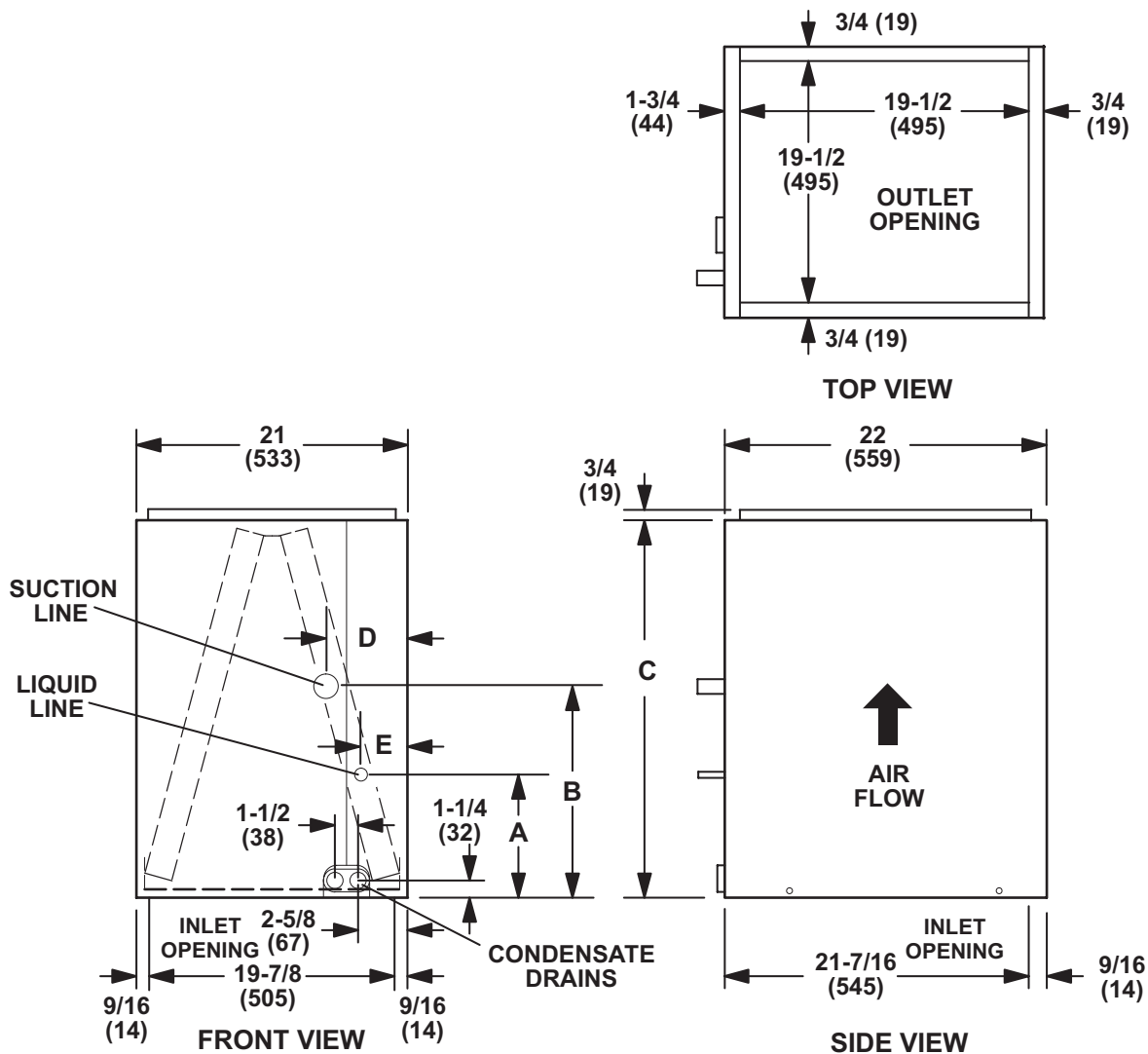
EAC4X-24(A/B), -30(A/B), -48(B/C), -50/60C and -60D Coils

NOTE- EAC4X35-60D coil is positioned in cabinet with coil face running left to right, all other coil sizes are positioned like drawing.



Model Number	A		B		C		D		E		F		G		H	
	in.	mm	in.	mm	in.	mm	in.	mm	in.	mm	in.	mm	in.	mm	in.	mm
EAC4X-24A	14-1/2	368	18-1/2	470	13	330	13-3/8	340	10-1/8	257	3-3/8	86	3	76	3-7/8	98
EAC4X-24B	17-1/2	445	18-1/2	470	16	406	16-3/8	416	10	254	3-1/2	89	3	76	3-7/8	98
EAC4X-30A	14-1/2	368	22-1/2	572	13	330	13-3/8	340	12	305	3-3/8	86	3	76	3-7/8	98
EAC4X-30B	17-1/2	445	22-1/2	572	16	406	16-3/8	416	10-1/2	267	3-3/8	86	3	76	3-7/8	98
EAC4X-48B	17-1/2	445	27-1/2	699	16	406	16-3/8	416	12-7/8	327	3-7/8	98	3	76	4	102
EAC4X-48C	21	533	27-1/2	699	19-1/2	495	19-7/8	505	12-1/2	318	4-3/4	121	2-3/4	70	3-1/2	89
EAC4X-50/60C	21	533	27-1/2	699	19-1/2	495	19-7/8	505	12-1/2	318	4-3/4	121	2-3/4	70	3-1/2	89
EAC4X-60D	24-1/2	622	29-1/2	749	23	584	23-3/8	594	15-1/8	384	4-1/2	121	1-5/8	41	2-5/8	67

EAC4X-49C and EAC4X-60C



Model Number	A		B		C		D		E	
	in.	mm	in.	mm	in.	mm	in.	mm	in.	mm
EAC4X-49C	4-3/4	121	12-1/8	308	29-1/2	749	3-3/8	86	2-1/2	64
EAC4X-60C	4-3/4	121	14-1/2	368	31-1/2	800	3-3/8	86	2-1/2	64



1-800-448-5872

All specifications and illustrations subject to change without notice and without incurring obligations.