

### EXPANSION VALVE COILS

#### EAM4X, EAD4X, and EAA4X

- 1- 1/2 thru 5 Tons
- Bolt- on R- 410A TXV metering device factory installed on all models (equalizer tube brazed in)
- TXV and manifold positioned to the side for easier cleaning
- Innovative drain pan design for complete water removal
- 2- piece delta plate for easier removal and cleaning
- Cabinet widths match flush with Arcoaire gas furnaces
- Removable front access panel
- Hemmed flanges for safer handling
- Foil faced insulation
- Non- sweat cabinet, even at extreme conditions
- Cabinets meet or exceed 2% air leakage codes
- Sturdy, 22 gauge, pre- painted steel cabinet
- One or two UV light knock- outs provided on cabinet (depending on size)
- Aluminum main tubing and aluminum fins (copper stubs for field connection).

#### EAM4X only

- Two condensate drain connections (Additional two for horizontal installation)
- Multiposition installation - upflow, downflow, or horizontal

#### EAD4X and EAA4X only

- Vertical installation - upflow or downflow

#### LIMITED WARRANTY\* (EAM4X, EAD4X, EAA4X)

- 5 year parts limited warranty
- With timely registration, an additional 5 year parts limited warranty

\* For residential applications only. See warranty certificate for complete details and restrictions, including warranty coverage for other applications.



Use of the AHRI Certified TM Mark indicates a manufacturer's participation in the program. For verification of certification for individual products, go to [www.ahrirectory.org](http://www.ahrirectory.org).

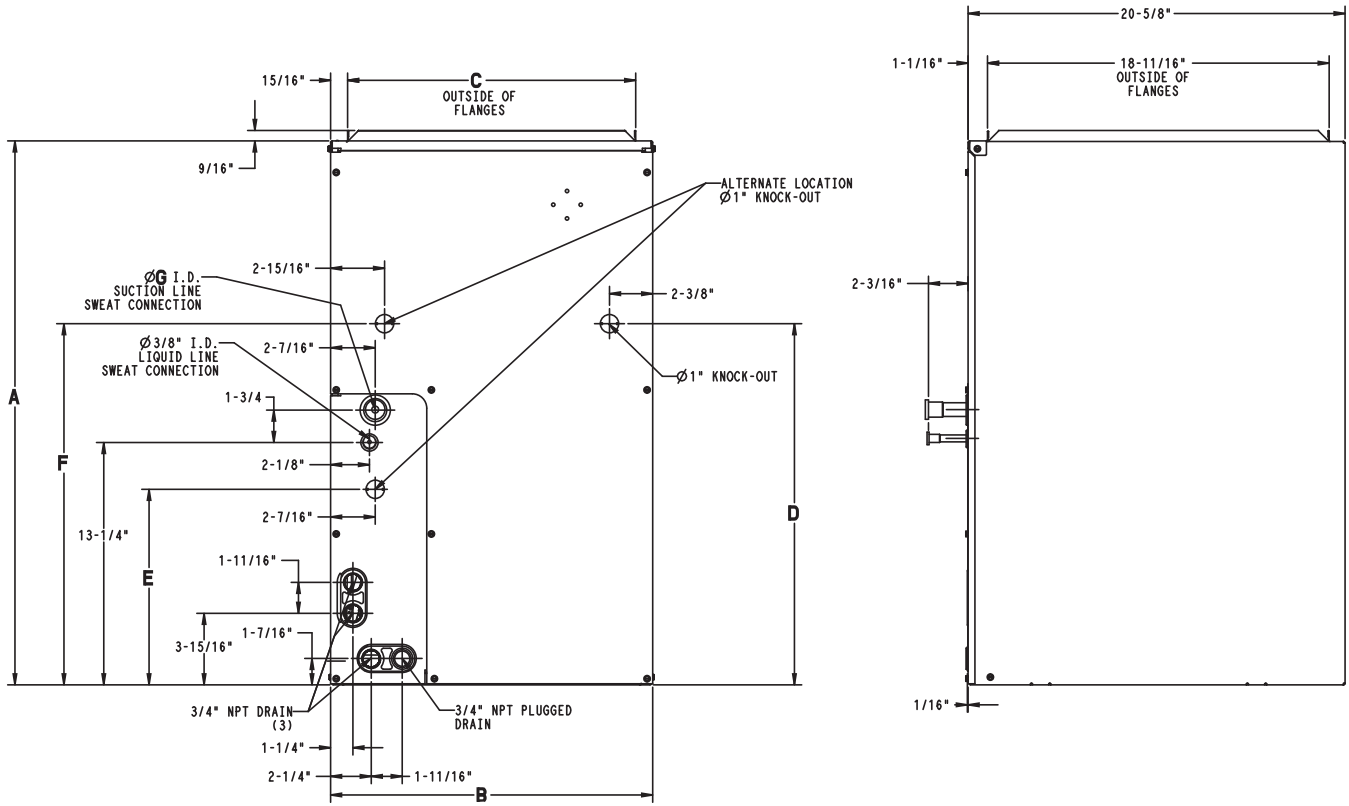


| PRODUCT SPECIFICATONS |         |  |                                       |          |
|-----------------------|---------|--|---------------------------------------|----------|
| MODEL NUMBER          | TONS    | FLUSH FIT TO FURNACE WIDTH inches (mm) | COIL CONNECTION TUBE SIZE inches (mm) |          |
|                       |         |  | Liquid                                | Suction  |
| EAM4X18L14A           | 1 – 1/2 | 14 – 3/16 (360)                        | 3/8 (10)                              | 5/8 (16) |
| EAM4X19L17A           | 1 – 1/2 | 17 – 1/2 (445)                         | 3/8 (10)                              | 3/4 (19) |
| EAM4X24L14A           | 2       | 14 – 3/16 (360)                        | 3/8 (10)                              | 5/8 (16) |
| EAM4X24L17A           | 2       | 17 – 1/2 (445)                         | 3/8 (10)                              | 5/8 (16) |
| EAM4X25L17A           | 2       | 17 – 1/2 (445)                         | 3/8 (10)                              | 3/4 (19) |
| EAM4X30L14A           | 2 – 1/2 | 14 – 3/16 (360)                        | 3/8 (10)                              | 3/4 (19) |
| EAM4X30L17A           | 2 – 1/2 | 17 – 1/2 (445)                         | 3/8 (10)                              | 3/4 (19) |
| EAM4X36L14A           | 3       | 14 – 3/16 (360)                        | 3/8 (10)                              | 3/4 (19) |
| EAM4X36L17A           | 3       | 17 – 1/2 (445)                         | 3/8 (10)                              | 3/4 (19) |
| EAM4X36L21A           | 3       | 21 (533)                               | 3/8 (10)                              | 3/4 (19) |
| EAM4X37L17A           | 3       | 17 – 1/2 (445)                         | 3/8 (10)                              | 3/4 (19) |
| EAM4X37L21A           | 3       | 21 (533)                               | 3/8 (10)                              | 7/8 (22) |
| EAM4X42L21A           | 3 – 1/2 | 21 (533)                               | 3/8 (10)                              | 7/8 (22) |
| EAM4X42L24A           | 3 – 1/2 | 24 – 1/2 (622)                         | 3/8 (10)                              | 7/8 (22) |
| EAM4X43L21A           | 3 – 1/2 | 21 (533)                               | 3/8 (10)                              | 7/8 (22) |

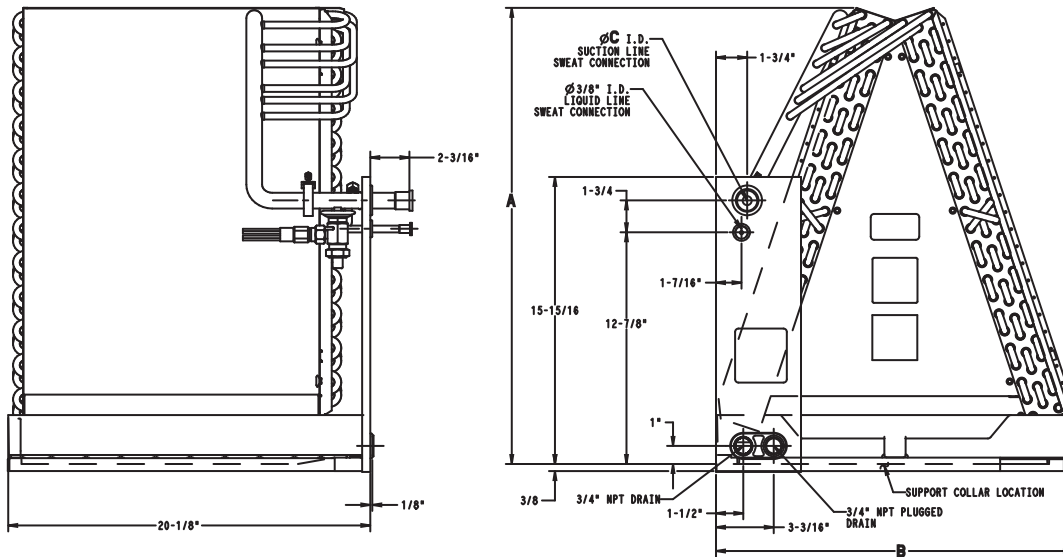
| PRODUCT SPECIFICATONS |         |  |                                       |          |
|-----------------------|---------|--|---------------------------------------|----------|
| MODEL NUMBER          | TONS    | FLUSH FIT TO FURNACE WIDTH inches (mm) | COIL CONNECTION TUBE SIZE inches (mm) |          |
|                       |         |  | Liquid                                | Suction  |
| EAM4X48L17A           | 4       | 17 – 1/2 (445)                         | 3/8 (10)                              | 7/8 (22) |
| EAM4X48L21A           | 4       | 21 (533)                               | 3/8 (10)                              | 7/8 (22) |
| EAM4X48L24A           | 4       | 24 – 1/2 (622)                         | 3/8 (10)                              | 7/8 (22) |
| EAM4X60L21A           | 5       | 21 (533)                               | 3/8 (10)                              | 7/8 (22) |
| EAM4X60L24A           | 5       | 24 – 1/2 (622)                         | 3/8 (10)                              | 7/8 (22) |
| EAM4X61L21A           | 5       | 21 (533)                               | 3/8 (10)                              | 7/8 (22) |
| EAM4X61L24A           | 5       | 24 – 1/2 (622)                         | 3/8 (10)                              | 7/8 (22) |
| EAD4X                 |         |  |                                       |          |
| EAD4X19L17A           | 1 – 1/2 | 17 – 1/2 (445)                         | 3/8 (10)                              | 3/4 (19) |
| EAD4X25L17A           | 2       | 17 – 1/2 (445)                         | 3/8 (10)                              | 3/4 (19) |
| EAD4X37L17A           | 3       | 17 – 1/2 (445)                         | 3/8 (10)                              | 3/4 (19) |
| EAD4X37L21A           | 3       | 21 (533)                               | 3/8 (10)                              | 7/8 (22) |
| EAD4X43L21A           | 3 – 1/2 | 21 (533)                               | 3/8 (10)                              | 7/8 (22) |
| EAD4X61L24A           | 5       | 24 – 1/2 (622)                         | 3/8 (10)                              | 7/8 (22) |
| EAA4X                 |         |  |                                       |          |
| EAA4X18L14A           | 1 – 1/2 | 13 (330)                               | 3/8 (10)                              | 5/8 (16) |
| EAA4X24L14A           | 2       | 13 (330)                               | 3/8 (10)                              | 5/8 (16) |
| EAA4X24L17A           | 2       | 16- 5/16 (414)                         | 3/8 (10)                              | 3/4 (19) |
| EAA4X30L14A           | 2 - 1/2 | 13 (330)                               | 3/8 (10)                              | 5/8 (16) |
| EAA4X30L17A           | 2- 1/2  | 16- 5/16 (414)                         | 3/8 (10)                              | 3/4 (19) |
| EAA4X36L17A           | 3       | 16- 5/16 (414)                         | 3/8 (10)                              | 3/4 (19) |
| EAA4X36L21A           | 3       | 19- 13/16 (503)                        | 3/8 (10)                              | 3/4 (19) |
| EAA4X42L21A           | 3- 1/2  | 19- 13/16 (503)                        | 3/8 (10)                              | 7/8 (22) |
| EAA4X48L21A           | 4       | 19- 13/16 (503)                        | 3/8 (10)                              | 7/8 (22) |
| EAA4X48L24A           | 4       | 23- 5/16 (592)                         | 3/8 (10)                              | 7/8 (22) |
| EAA4X60L24A           | 5       | 23- 5/16 (592)                         | 3/8 (10)                              | 7/8 (22) |

| COIL MODEL NUMBER IDENTIFICATION GUIDE |          |   |          |                                       |          |   |          |                                   |          |                                |  |
|--|----------|---|----------|---------------------------------------|----------|---|----------|-----------------------------------|----------|--------------------------------|--|
| DIGIT POSITION                         | 1        | 2   | 3        | 4                                     | 5        | 6, 7                                    | 8        | 9, 10                             | 11       | 12                             |  |
|  | <b>E</b> | <b>A</b>  | <b>M</b> | <b>4</b>                              | <b>X</b> | <b>18</b>                               | <b>L</b> | <b>14</b>                         | <b>A</b> | <b>1</b>                       |  |
| E = Evaporator                         |          | <b>TYPE</b>   |          | <b>INSTALLATION</b>                   |          | <b>REFRIGERANT</b>                      |          | <b>METERING DEVICE</b>            |          | <b>NOMINAL CAPACITY</b>        |  |
| A = A Coil                             |          | M = Cased, Multiposition (Upflow/Downflow/Horizontal) |          | D = Cased, Vertical (Upflow/Downflow) |          | A = Uncased, Vertical (Upflow/Downflow) |          | 4 = Environmentally Sound R- 410A |          | X = TXV                        |  |
| 18 = 18,000 BTUH = 1- 1/2 tons         |          | 19 = 18,000 BTUH = 1- 1/2 tons                        |          | 24 = 24,000 BTUH = 2 tons             |          | 25 = 24,000 BTUH = 2 tons               |          | 30 = 30,000 BTUH = 2- 1/2 tons    |          | 36 = 36,000 BTUH = 3 tons      |  |
| 37 = 36,000 BTUH = 3 tons              |          | 42 = 42,000 BTUH = 3- 1/2 tons                        |          | 43 = 42,000 BTUH = 3- 1/2 tons        |          | 48 = 48,000 BTUH = 4 tons               |          | 60 = 60,000 BTUH = 5 tons         |          | 61 = 60,000 BTUH = 5 tons      |  |
| L = Aluminum                           |          | 14 = 14- 3/16"  |          | 17 = 17- 1/2"                         |          | 21 = 21"                                |          | 24 = 24- 1/2"                     |          | <b>WIDTH (matches furnace)</b> |  |
| Sales Digit (Major Revision)           |          | Engineering Digit (Minor Revision)                    |          |                                       |          |   |          |                                   |          |                                |  |

EAM4X and EAD4X



EAA4X



A05393

**DIMENSIONAL DATA**

| UNIT        | A<br>in.(mm)    | B<br>in.(mm)   | C<br>in.(mm)   | D<br>in.(mm)    | E<br>in.(mm)    | F<br>in.(mm)  | G<br>in.(mm) | SHIPPING WT.<br>lbs (kg) |
|-------------|-----------------|----------------|----------------|-----------------|-----------------|---------------|--------------|--------------------------|
| EAM4X18L14A | 25- 13/16 (656) | 14- 3/16 (360) | 12- 7/16 (316) | 17- 3/16 (437)  | 10- 11/16 (263) | -             | 5/8 (16)     | 50.5 (23)                |
| EAM4X19L17A | 25- 13/16 (656) | 17- 1/2 (445)  | 15- 3/4 (400)  | 17- 3/16 (437)  | -               | 19- 3/4 (502) | 3/4 (19)     | 64.5 (29)                |
| EAM4X24L14A | 25- 13/16 (656) | 14- 3/16 (360) | 12- 7/16 (316) | 17- 3/16 (437)  | 10- 11/16 (263) | -             | 5/8 (16)     | 52.5 (24)                |
| EAM4X24L17A | 25- 13/16 (656) | 17- 1/2 (445)  | 15- 3/4 (400)  | 10- 11/16 (263) | 10- 11/16 (263) | -             | 5/8 (16)     | 56.5 (26)                |
| EAM4X25L17A | 29- 3/4 (757)   | 17- 1/2 (445)  | 15- 3/4 (400)  | 19- 3/4 (502)   | -               | 19- 3/4 (502) | 3/4 (19)     | 71.0 (32)                |
| EAM4X30L14A | 25- 13/16 (656) | 14- 3/16 (360) | 12- 7/16 (316) | 17- 3/16 (437)  | -               | 19- 3/4 (502) | 3/4 (19)     | 58.0 (26)                |
| EAM4X30L17A | 25- 13/16 (656) | 17- 1/2 (445)  | 15- 3/4 (400)  | 17- 3/16 (437)  | -               | 19- 3/4 (502) | 3/4 (19)     | 64.5 (29)                |
| EAM4X36L14A | 29- 3/4 (757)   | 14- 3/16 (360) | 12- 7/16 (316) | 19- 3/4 (502)   | -               | 19- 3/4 (502) | 3/4 (19)     | 65.0 (29)                |
| EAM4X36L17A | 29- 3/4 (757)   | 17- 1/2 (445)  | 15- 3/4 (400)  | 19- 3/4 (502)   | -               | 19- 3/4 (502) | 3/4 (19)     | 71.0 (32)                |
| EAM4X36L21A | 29- 3/4 (757)   | 21 (533)       | 19- 1/4 (489)  | 19- 3/4 (502)   | -               | 19- 3/4 (502) | 3/4 (19)     | 73.0 (33)                |
| EAM4X37L17A | 25- 13/16 (656) | 17- 1/2 (445)  | 15- 3/4 (400)  | 17- 3/16 (437)  | -               | 19- 3/4 (502) | 3/4 (19)     | 64.5 (29)                |
| EAM4X37L21A | 29- 3/4 (757)   | 21 (533)       | 19- 1/4 (489)  | 19- 3/4 (502)   | -               | 19- 3/4 (502) | 7/8 (22)     | 84.0 (38)                |
| EAM4X42L21A | 29- 3/4 (757)   | 21 (533)       | 19- 1/4 (489)  | 19- 3/4 (502)   | -               | 19- 3/4 (502) | 7/8 (22)     | 78.0 (35)                |
| EAM4X42L24A | 29- 3/4 (757)   | 24- 1/2 (622)  | 22- 3/4 (578)  | 19- 3/4 (502)   | -               | 19- 3/4 (502) | 7/8 (22)     | 82.0 (37)                |
| EAM4X43L21A | 29- 3/4 (757)   | 21 (533)       | 19- 1/4 (489)  | 19- 3/4 (502)   | -               | 19- 3/4 (502) | 7/8 (22)     | 84.0 (38)                |
| EAM4X48L17A | 35 (889)        | 17- 1/2 (445)  | 15- 3/4 (400)  | 19- 3/4 (502)   | -               | 19- 3/4 (502) | 7/8 (22)     | 91.0 (41)                |
| EAM4X48L21A | 29- 3/4 (757)   | 21 (533)       | 19- 1/4 (489)  | 19- 3/4 (502)   | -               | 19- 3/4 (502) | 7/8 (22)     | 84.0 (38)                |
| EAM4X48L24A | 29- 3/4 (757)   | 24- 1/2 (622)  | 22- 3/4 (578)  | 19- 3/4 (502)   | -               | 19- 3/4 (502) | 7/8 (22)     | 88.5 (40)                |
| EAM4X60L21A | 35 (889)        | 21 (533)       | 19- 1/4 (489)  | 19- 3/4 (502)   | -               | 19- 3/4 (502) | 7/8 (22)     | 96.0 (44)                |
| EAM4X60L24A | 35 (889)        | 24- 1/2 (622)  | 22- 3/4 (578)  | 19- 3/4 (502)   | -               | 19- 3/4 (502) | 7/8 (22)     | 101.0 (46)               |
| EAM4X61L21A | 35 (889)        | 21 (533)       | 19- 1/4 (489)  | 19- 3/4 (502)   | -               | 19- 3/4 (502) | 7/8 (22)     | 98.0 (44)                |
| EAM4X61L24A | 35 (889)        | 24- 1/2 (622)  | 22- 3/4 (578)4 | 19- 3/4 (502)   | -               | 19- 3/4 (502) | 7/8 (22)     | 101.0 (46)               |
| EAD4X19L17A | 25- 13/16 (656) | 17- 1/2 (445)  | 15- 3/4 (400)  | 17- 3/16 (437)  | -               | 19- 3/4 (502) | 3/4 (19)     | 62.0 (28)                |
| EAD4X25L17A | 29- 3/4 (757)   | 17- 1/2 (445)  | 15- 3/4 (400)  | 19- 3/4 (502)   | -               | 19- 3/4 (502) | 3/4 (19)     | 68.5 (31)                |
| EAD4X37L17A | 25- 13/16 (656) | 17- 1/2 (445)  | 15- 3/4 (400)  | 17- 3/16 (437)  | -               | 19- 3/4 (502) | 3/4 (19)     | 62.0 (28)                |
| EAD4X37L21A | 29- 3/4 (757)   | 21 (533)       | 19- 1/4 (489)  | 19- 3/4 (502)   | -               | 19- 3/4 (502) | 7/8 (22)     | 81.5 (37)                |
| EAD4X43L21A | 29- 3/4 (757)   | 21 (533)       | 19- 1/4 (489)  | 19- 3/4 (502)   | -               | 19- 3/4 (502) | 7/8 (22)     | 81.5 (37)                |
| EAD4X61L24A | 35 (889)        | 24- 1/2 (622)  | 22- 3/4 (578)  | 19- 3/4 (502)   | -               | 19- 3/4 (502) | 7/8 (22)     | 98.5 (45)                |

| UNIT        | A - in. (mm)    | B - in. (mm)    | C - in. (mm) | SHIPPING WT. - lb. (kg) |
|-------------|-----------------|-----------------|--------------|-------------------------|
| EAA4X18L14A | 13- 5/8 (346)   | 13 (330)        | 5/8 (16)     | 22.0 (10)               |
| EAA4X24L14A | 17- 3/4 (451)   | 13 (330)        | 5/8 (16)     | 26.5 (12)               |
| EAA4X24L17A | 17- 1/4 (438)   | 16- 5/16 (414)  | 5/8 (16)     | 29.0 (13)               |
| EAA4X30L14A | 21- 7/8 (556)   | 13 (330)        | 3/4 (19)     | 33.0 (15)               |
| EAA4X30L17A | 21- 7/16 (545)  | 16- 5/16 (414)  | 3/4 (19)     | 33.0 (15)               |
| EAA4X36L17A | 23- 9/16 (598)  | 16- 5/16 (414)  | 3/4 (19)     | 36.5 (17)               |
| EAA4X36L21A | 23 (584)        | 19- 13/16 (503) | 3/4 (19)     | 37.5 (17)               |
| EAA4X42L21A | 25- 1/16 (637)  | 19- 13/16 (503) | 7/8 (22)     | 40.0 (18)               |
| EAA4X48L21A | 25- 5/16 (643)  | 19- 13/16 (503) | 7/8 (22)     | 49.0 (22)               |
| EAA4X48L24A | 24- 13/16 (630) | 23- 5/16 (592)  | 7/8 (22)     | 51.0 (23)               |
| EAA4X60L24A | 31- 1/16 (789)  | 23- 5/16 (592)  | 7/8 (22)     | 57.0 (26)               |

PERFORMANCE DATA

COOLING CAPACITIES (MBH) - R-410A REFRIGERANT

| UNIT SIZE               | INDOOR COIL AIR |     | SATURATED TEMPERATURE LEAVING EVAPORATOR (°F) |       |      |        |       |      |        |       |      |       |       |      |       |       |      |
|-------------------------|-----------------|-----|---|-------|------|--------|-------|------|--------|-------|------|-------|-------|------|-------|-------|------|
|                         |                 |     | 30  |       |      | 35     |       |      | 40     |       |      | 45    |       |      | 50    |       |      |
|                         | CFM             | EWB | TC  | SHC   | BF   | TC     | SHC   | BF   | TC     | SHC   | BF   | TC    | SHC   | BF   | TC    | SHC   | BF   |
| 18L14                   | 450             | 72  | 32.00   | 15.70 | 0.00 | 29.30  | 14.30 | 0.00 | 26.40  | 12.80 | 0.00 | 23.10 | 11.30 | 0.00 | 19.50 | 9.70  | 0.01 |
|                         |                 | 67  | 26.80   | 16.10 | 0.01 | 24.10  | 14.60 | 0.01 | 21.10  | 13.10 | 0.01 | 17.80 | 11.50 | 0.02 | 14.20 | 9.90  | 0.02 |
|                         |                 | 62  | 22.10   | 16.50 | 0.02 | 19.30  | 14.90 | 0.02 | 16.40  | 13.40 | 0.02 | 13.20 | 11.80 | 0.02 | 10.30 | 10.30 | 0.05 |
|                         | 600             | 72  | 39.20   | 19.10 | 0.00 | 36.00  | 17.40 | 0.00 | 32.30  | 15.70 | 0.00 | 28.30 | 13.90 | 0.02 | 23.80 | 12.00 | 0.02 |
|                         |                 | 67  | 32.90   | 19.90 | 0.03 | 29.60  | 18.20 | 0.03 | 25.90  | 16.30 | 0.03 | 21.90 | 14.40 | 0.03 | 17.40 | 12.50 | 0.03 |
|                         |                 | 62  | 27.20   | 20.60 | 0.04 | 23.80  | 18.80 | 0.04 | 20.20  | 16.90 | 0.04 | 16.30 | 15.00 | 0.04 | 13.20 | 13.20 | 0.09 |
|                         | 750             | 72  | 45.10   | 21.90 | 0.00 | 41.40  | 20.10 | 0.00 | 37.20  | 18.20 | 0.02 | 32.60 | 16.10 | 0.04 | 27.40 | 14.00 | 0.04 |
|                         |                 | 67  | 38.00   | 23.20 | 0.05 | 34.20  | 21.20 | 0.05 | 29.90  | 19.10 | 0.05 | 25.20 | 17.00 | 0.05 | 20.00 | 14.70 | 0.06 |
|                         |                 | 62  | 31.50   | 24.20 | 0.06 | 27.60  | 22.10 | 0.06 | 23.40  | 20.00 | 0.06 | 19.10 | 17.90 | 0.06 | 15.70 | 15.70 | 0.13 |
| 19L17                   | 450             | 72  | 33.57   | 18.66 | 0.00 | 31.02  | 17.08 | 0.00 | 28.19  | 15.44 | 0.00 | 25.03 | 13.74 | 0.00 | 21.50 | 11.99 | 0.00 |
|                         |                 | 67  | 28.12   | 18.76 | 0.00 | 25.51  | 17.13 | 0.00 | 22.63  | 15.44 | 0.00 | 19.41 | 13.70 | 0.00 | 15.70 | 11.85 | 0.00 |
|                         |                 | 62  | 23.21   | 18.82 | 0.00 | 20.55  | 17.14 | 0.00 | 17.55  | 15.38 | 0.00 | 14.16 | 13.53 | 0.00 | 10.75 | 10.75 | 0.00 |
|                         | 600             | 72  | 42.86   | 23.54 | 0.00 | 39.66  | 21.61 | 0.00 | 36.05  | 19.58 | 0.00 | 32.00 | 17.44 | 0.00 | 27.44 | 15.21 | 0.00 |
|                         |                 | 67  | 35.94   | 23.88 | 0.00 | 32.64  | 21.86 | 0.00 | 28.94  | 19.74 | 0.00 | 24.78 | 17.52 | 0.00 | 20.12 | 15.22 | 0.00 |
|                         |                 | 62  | 29.69   | 24.13 | 0.00 | 26.29  | 22.02 | 0.00 | 22.49  | 19.82 | 0.00 | 18.20 | 17.50 | 0.00 | 13.85 | 13.85 | 0.00 |
|                         | 750             | 72  | 51.17   | 27.85 | 0.00 | 47.40  | 25.65 | 0.00 | 43.14  | 23.30 | 0.00 | 38.30 | 20.81 | 0.00 | 32.83 | 18.18 | 0.00 |
|                         |                 | 67  | 42.99   | 28.53 | 0.00 | 39.08  | 26.19 | 0.00 | 34.67  | 23.71 | 0.00 | 29.68 | 21.10 | 0.00 | 24.05 | 18.35 | 0.00 |
|                         |                 | 62  | 35.55   | 29.06 | 0.00 | 31.51  | 26.60 | 0.00 | 26.96  | 24.00 | 0.00 | 21.89 | 21.28 | 0.00 | 16.92 | 16.92 | 0.00 |
| 24L14<br>24L17          | 600             | 72  | 39.40   | 19.20 | 0.00 | 36.30  | 17.60 | 0.00 | 32.80  | 15.90 | 0.00 | 28.90 | 14.10 | 0.00 | 24.50 | 12.20 | 0.01 |
|                         |                 | 67  | 33.10   | 20.00 | 0.01 | 29.90  | 18.20 | 0.01 | 26.30  | 16.40 | 0.01 | 22.40 | 14.50 | 0.02 | 17.90 | 12.60 | 0.02 |
|                         |                 | 62  | 27.40   | 20.50 | 0.02 | 24.10  | 18.70 | 0.02 | 20.50  | 16.90 | 0.02 | 16.60 | 15.00 | 0.02 | 13.10 | 13.10 | 0.05 |
|                         | 800             | 72  | 47.70   | 23.20 | 0.00 | 44.00  | 21.40 | 0.00 | 39.80  | 19.40 | 0.00 | 35.10 | 17.30 | 0.02 | 29.80 | 15.10 | 0.02 |
|                         |                 | 67  | 40.30   | 24.50 | 0.03 | 36.40  | 22.50 | 0.03 | 32.10  | 20.40 | 0.03 | 27.30 | 18.10 | 0.03 | 21.80 | 15.80 | 0.03 |
|                         |                 | 62  | 33.40   | 25.50 | 0.04 | 29.50  | 23.40 | 0.04 | 25.10  | 21.20 | 0.04 | 20.50 | 19.00 | 0.04 | 16.70 | 16.70 | 0.09 |
|                         | 1000            | 72  | 54.30   | 26.40 | 0.00 | 50.20  | 24.40 | 0.00 | 45.40  | 22.30 | 0.02 | 40.10 | 20.00 | 0.04 | 34.00 | 17.50 | 0.04 |
|                         |                 | 67  | 46.00   | 28.20 | 0.05 | 41.70  | 26.10 | 0.05 | 36.80  | 23.70 | 0.05 | 31.20 | 21.20 | 0.05 | 25.00 | 18.60 | 0.05 |
|                         |                 | 62  | 38.30   | 29.80 | 0.05 | 33.80  | 27.50 | 0.06 | 28.90  | 25.10 | 0.06 | 23.80 | 22.60 | 0.06 | 19.90 | 19.90 | 0.14 |
| 25L17                   | 600             | 72  | 62.57   | 31.59 | 0.00 | 57.94  | 29.03 | 0.00 | 52.74  | 26.32 | 0.00 | 46.87 | 23.47 | 0.00 | 40.26 | 20.49 | 0.00 |
|                         |                 | 67  | 52.49   | 32.04 | 0.00 | 47.71  | 29.35 | 0.00 | 42.35  | 26.53 | 0.00 | 36.33 | 23.57 | 0.00 | 29.57 | 20.49 | 0.00 |
|                         |                 | 62  | 43.37   | 32.39 | 0.00 | 38.45  | 29.58 | 0.00 | 32.95  | 26.63 | 0.00 | 26.73 | 23.54 | 0.00 | 20.26 | 20.26 | 0.00 |
|                         | 800             | 72  | 78.59   | 39.22 | 0.00 | 72.92  | 36.20 | 0.00 | 66.47  | 32.95 | 0.00 | 59.11 | 29.48 | 0.00 | 50.76 | 25.80 | 0.00 |
|                         |                 | 67  | 66.08   | 40.30 | 0.00 | 60.18  | 37.08 | 0.00 | 53.48  | 33.63 | 0.00 | 45.88 | 29.97 | 0.00 | 37.27 | 26.11 | 0.00 |
|                         |                 | 62  | 54.71   | 41.16 | 0.00 | 48.58  | 37.74 | 0.00 | 41.65  | 34.10 | 0.00 | 33.87 | 30.28 | 0.00 | 26.26 | 26.26 | 0.00 |
|                         | 1000            | 72  | 92.27   | 45.67 | 0.00 | 85.78  | 42.35 | 0.00 | 78.32  | 38.73 | 0.00 | 69.75 | 34.80 | 0.00 | 59.94 | 30.58 | 0.00 |
|                         |                 | 67  | 77.81   | 47.56 | 0.00 | 70.99  | 43.94 | 0.00 | 63.20  | 40.04 | 0.00 | 54.28 | 35.83 | 0.00 | 44.08 | 31.34 | 0.00 |
|                         |                 | 62  | 64.59   | 49.11 | 0.00 | 57.46  | 45.22 | 0.00 | 49.36  | 41.05 | 0.00 | 40.28 | 36.63 | 0.00 | 31.96 | 31.96 | 0.00 |
| 30L14<br>30L17          | 750             | 72  | 49.10   | 24.00 | 0.00 | 45.00  | 21.90 | 0.00 | 40.50  | 19.70 | 0.00 | 35.50 | 17.40 | 0.00 | 30.00 | 15.00 | 0.01 |
|                         |                 | 67  | 41.20   | 24.80 | 0.01 | 37.00  | 22.50 | 0.02 | 32.40  | 20.20 | 0.02 | 27.40 | 17.80 | 0.02 | 21.90 | 15.30 | 0.02 |
|                         |                 | 62  | 34.00   | 25.40 | 0.02 | 29.70  | 23.00 | 0.02 | 25.10  | 20.60 | 0.02 | 20.30 | 18.30 | 0.02 | 16.00 | 16.00 | 0.06 |
|                         | 1000            | 72  | 59.90   | 29.10 | 0.00 | 55.00  | 26.70 | 0.00 | 49.50  | 24.10 | 0.00 | 43.30 | 21.30 | 0.02 | 36.50 | 18.40 | 0.03 |
|                         |                 | 67  | 50.40   | 30.50 | 0.03 | 45.30  | 27.90 | 0.04 | 39.70  | 25.10 | 0.04 | 33.50 | 22.20 | 0.04 | 26.70 | 19.20 | 0.04 |
|                         |                 | 62  | 41.70   | 31.60 | 0.04 | 36.50  | 28.80 | 0.04 | 30.90  | 26.00 | 0.04 | 25.00 | 23.10 | 0.05 | 20.30 | 20.30 | 0.10 |
|                         | 1250            | 72  | 68.80   | 33.40 | 0.00 | 63.20  | 30.70 | 0.00 | 56.80  | 27.80 | 0.03 | 49.70 | 24.70 | 0.04 | 41.90 | 21.40 | 0.05 |
|                         |                 | 67  | 58.00   | 35.40 | 0.06 | 52.20  | 32.40 | 0.06 | 45.70  | 29.30 | 0.06 | 38.50 | 26.00 | 0.06 | 30.60 | 22.60 | 0.07 |
|                         |                 | 62  | 48.00   | 37.00 | 0.07 | 42.10  | 33.90 | 0.07 | 35.70  | 30.70 | 0.07 | 29.20 | 27.50 | 0.07 | 24.20 | 24.20 | 0.14 |
| 36L14<br>36L17<br>36L21 | 900             | 72  | 60.30   | 29.40 | 0.00 | 55.40  | 26.90 | 0.00 | 49.90  | 24.30 | 0.00 | 43.80 | 21.50 | 0.01 | 37.00 | 18.60 | 0.02 |
|                         |                 | 67  | 50.70   | 30.60 | 0.02 | 45.70  | 27.90 | 0.03 | 40.10  | 25.10 | 0.03 | 33.90 | 22.20 | 0.03 | 27.00 | 19.20 | 0.03 |
|                         |                 | 62  | 41.90   | 31.50 | 0.03 | 36.70  | 28.70 | 0.03 | 31.10  | 25.80 | 0.03 | 25.10 | 22.90 | 0.04 | 20.00 | 20.00 | 0.08 |
|                         | 1200            | 72  | 72.40   | 35.10 | 0.00 | 66.50  | 32.30 | 0.00 | 59.90  | 29.30 | 0.02 | 52.50 | 26.00 | 0.04 | 44.30 | 22.60 | 0.05 |
|                         |                 | 67  | 61.00   | 37.10 | 0.05 | 55.00  | 34.00 | 0.06 | 48.20  | 30.70 | 0.06 | 40.70 | 27.30 | 0.06 | 32.40 | 23.70 | 0.06 |
|                         |                 | 62  | 50.50   | 38.80 | 0.06 | 44.30  | 35.50 | 0.06 | 37.60  | 32.10 | 0.06 | 30.60 | 28.70 | 0.07 | 25.20 | 25.20 | 0.13 |
|                         | 1500            | 72  | 82.20   | 39.90 | 0.00 | 75.60  | 36.90 | 0.02 | 68.10  | 33.50 | 0.05 | 59.70 | 29.90 | 0.07 | 50.40 | 26.10 | 0.08 |
|                         |                 | 67  | 69.40   | 42.70 | 0.08 | 62.60  | 39.30 | 0.08 | 55.00  | 35.70 | 0.08 | 46.40 | 31.80 | 0.09 | 37.00 | 27.80 | 0.09 |
|                         |                 | 62  | 57.70   | 45.10 | 0.09 | 50.70  | 41.40 | 0.09 | 43.10  | 37.70 | 0.09 | 35.50 | 34.00 | 0.10 | 29.80 | 29.80 | 0.18 |
| 37L17                   | 900             | 72  | 85.28   | 42.35 | 0.00 | 79.12  | 39.14 | 0.00 | 72.10  | 35.69 | 0.00 | 64.07 | 31.97 | 0.00 | 54.91 | 28.01 | 0.00 |
|                         |                 | 67  | 71.79   | 43.83 | 0.00 | 65.36  | 40.38 | 0.00 | 58.05  | 36.68 | 0.00 | 49.72 | 32.73 | 0.00 | 40.25 | 28.53 | 0.00 |
|                         |                 | 62  | 59.49   | 45.02 | 0.00 | 52.78  | 41.34 | 0.00 | 45.22  | 37.41 | 0.00 | 36.79 | 33.30 | 0.00 | 29.00 | 29.00 | 0.00 |
|                         | 1200            | 72  | 103.16  | 50.79 | 0.00 | 96.02  | 47.29 | 0.00 | 87.71  | 43.41 | 0.00 | 78.05 | 39.13 | 0.00 | 66.94 | 34.47 | 0.00 |
|                         |                 | 67  | 87.21   | 53.61 | 0.00 | 79.64  | 49.72 | 0.00 | 70.90  | 45.46 | 0.00 | 60.82 | 40.81 | 0.00 | 49.25 | 35.81 | 0.00 |
|                         |                 | 62  | 72.54   | 55.95 | 0.00 | 64.59  | 51.72 | 0.00 | 55.57  | 47.16 | 0.00 | 45.56 | 42.32 | 0.00 | 37.10 | 37.10 | 0.00 |
|                         | 1500            | 72  | 117.25  | 57.62 | 0.00 | 109.35 | 53.95 | 0.00 | 100.10 | 49.80 | 0.00 | 89.30 | 45.15 | 0.00 | 76.74 | 40.02 | 0.00 |
|                         |                 | 67  | 99.48   | 61.84 | 0.00 | 91.07  | 57.69 | 0.00 | 81.29  | 53.07 | 0.00 | 69.87 | 47.93 | 0.00 | 56.68 | 42.33 | 0.00 |
|                         |                 | 62  | 83.06   | 65.49 | 0.00 | 74.20  | 60.91 | 0.00 | 64.12  | 55.91 | 0.00 | 53.03 | 50.53 | 0.00 | 44.30 | 44.30 | 0.00 |

See Legend and Notes on Page 8.

COOLING CAPACITIES (MBH) - R-410A REFRIGERANT

| EAM4X<br>EAD4X<br>UNIT<br>SIZE | INDOOR COIL<br>AIR |     | SATURATED TEMPERATURE LEAVING EVAPORATOR (°F) |       |      |        |       |      |        |       |      |        |       |      |        |       |      |
|--------------------------------|--------------------|-----|---|-------|------|--------|-------|------|--------|-------|------|--------|-------|------|--------|-------|------|
|                                |                    |     | 30  |       |      | 35     |       |      | 40     |       |      | 45     |       |      | 50     |       |      |
|                                | CFM                | EWB | TC  | SHC   | BF   | TC     | SHC   | BF   | TC     | SHC   | BF   | TC     | SHC   | BF   | TC     | SHC   | BF   |
| 37L21                          | 900                | 72  | 85.95   | 42.71 | 0.00 | 79.93  | 39.56 | 0.00 | 73.00  | 36.12 | 0.00 | 65.04  | 32.41 | 0.00 | 55.96  | 28.45 | 0.00 |
|                                |                    | 67  | 72.40   | 44.18 | 0.00 | 66.07  | 40.77 | 0.00 | 58.86  | 37.09 | 0.00 | 50.60  | 33.15 | 0.00 | 41.19  | 28.96 | 0.00 |
|                                |                    | 62  | 60.05   | 45.37 | 0.00 | 53.44  | 41.72 | 0.00 | 45.92  | 37.80 | 0.00 | 37.44  | 33.65 | 0.00 | 29.27  | 29.27 | 0.00 |
|                                | 1200               | 72  | 104.44  | 51.43 | 0.00 | 97.39  | 47.95 | 0.00 | 89.16  | 44.08 | 0.00 | 79.65  | 39.82 | 0.00 | 68.66  | 35.19 | 0.00 |
|                                |                    | 67  | 88.33   | 54.23 | 0.00 | 80.87  | 50.38 | 0.00 | 72.22  | 46.13 | 0.00 | 62.25  | 41.51 | 0.00 | 50.73  | 36.50 | 0.00 |
|                                |                    | 62  | 73.55   | 56.59 | 0.00 | 65.68  | 52.38 | 0.00 | 56.68  | 47.81 | 0.00 | 46.52  | 42.91 | 0.00 | 37.58  | 37.58 | 0.00 |
|                                | 1500               | 72  | 119.03  | 58.46 | 0.00 | 111.23 | 54.81 | 0.00 | 102.13 | 50.71 | 0.00 | 91.48  | 46.10 | 0.00 | 79.08  | 41.02 | 0.00 |
|                                |                    | 67  | 101.06  | 62.72 | 0.00 | 92.78  | 58.61 | 0.00 | 83.14  | 54.04 | 0.00 | 71.83  | 48.94 | 0.00 | 58.67  | 43.32 | 0.00 |
|                                |                    | 62  | 84.48   | 66.42 | 0.00 | 75.74  | 61.89 | 0.00 | 65.66  | 56.88 | 0.00 | 0.00   | 0.00  | 0.00 | 0.00   | 0.00  | 0.00 |
| 42L21<br>42L24                 | 1050               | 72  | 75.00   | 36.40 | 0.00 | 69.30  | 33.70 | 0.00 | 62.60  | 30.60 | 0.01 | 55.10  | 27.40 | 0.02 | 46.90  | 24.00 | 0.03 |
|                                |                    | 67  | 63.30   | 38.80 | 0.03 | 57.20  | 35.70 | 0.03 | 50.50  | 32.50 | 0.03 | 42.90  | 29.00 | 0.04 | 33.50  | 25.00 | 0.04 |
|                                |                    | 62  | 52.60   | 40.80 | 0.04 | 46.40  | 37.60 | 0.04 | 39.50  | 34.10 | 0.04 | 32.00  | 30.40 | 0.05 | 26.40  | 26.40 | 0.14 |
|                                | 1400               | 72  | 87.10   | 42.50 | 0.00 | 80.60  | 39.50 | 0.03 | 73.00  | 36.20 | 0.04 | 64.20  | 32.50 | 0.05 | 54.40  | 28.60 | 0.06 |
|                                |                    | 67  | 73.80   | 46.10 | 0.06 | 66.90  | 42.70 | 0.06 | 58.90  | 39.00 | 0.07 | 50.10  | 35.20 | 0.07 | 40.00  | 30.90 | 0.07 |
|                                |                    | 62  | 61.40   | 49.30 | 0.07 | 54.40  | 45.70 | 0.07 | 46.90  | 42.10 | 0.07 | 39.00  | 38.10 | 0.09 | 33.00  | 33.00 | 0.19 |
|                                | 1750               | 72  | 96.50   | 47.40 | 0.05 | 89.50  | 44.30 | 0.07 | 81.30  | 40.80 | 0.07 | 71.70  | 36.90 | 0.08 | 60.50  | 32.60 | 0.09 |
|                                |                    | 67  | 82.10   | 52.30 | 0.09 | 74.60  | 48.80 | 0.09 | 65.90  | 44.90 | 0.09 | 55.90  | 40.60 | 0.09 | 45.10  | 36.20 | 0.10 |
|                                |                    | 62  | 68.60   | 56.80 | 0.10 | 61.00  | 53.10 | 0.10 | 52.90  | 49.10 | 0.10 | 44.90  | 44.90 | 0.12 | 38.70  | 38.70 | 0.24 |
| 43L21                          | 1050               | 72  | 95.75   | 47.32 | 0.00 | 89.15  | 43.98 | 0.00 | 81.55  | 40.30 | 0.00 | 72.72  | 36.27 | 0.00 | 62.64  | 31.95 | 0.00 |
|                                |                    | 67  | 80.81   | 49.43 | 0.00 | 73.87  | 45.77 | 0.00 | 65.88  | 41.78 | 0.00 | 56.71  | 37.46 | 0.00 | 46.18  | 32.83 | 0.00 |
|                                |                    | 62  | 67.16   | 51.17 | 0.00 | 59.87  | 47.21 | 0.00 | 51.54  | 42.93 | 0.00 | 42.14  | 38.37 | 0.00 | 33.49  | 33.49 | 0.00 |
|                                | 1400               | 72  | 114.53  | 56.27 | 0.00 | 106.97 | 52.67 | 0.00 | 98.10  | 48.62 | 0.00 | 87.81  | 44.12 | 0.00 | 75.84  | 39.17 | 0.00 |
|                                |                    | 67  | 97.13   | 60.04 | 0.00 | 89.08  | 55.99 | 0.00 | 79.75  | 51.52 | 0.00 | 68.84  | 46.55 | 0.00 | 56.19  | 41.13 | 0.00 |
|                                |                    | 62  | 81.09   | 63.28 | 0.00 | 72.60  | 58.83 | 0.00 | 62.86  | 53.96 | 0.00 | 51.93  | 48.71 | 0.00 | 42.81  | 42.81 | 0.00 |
|                                | 1750               | 72  | 128.85  | 63.40 | 0.00 | 120.65 | 59.68 | 0.00 | 111.06 | 55.46 | 0.00 | 99.69  | 50.67 | 0.00 | 86.32  | 45.29 | 0.00 |
|                                |                    | 67  | 109.76  | 68.90 | 0.00 | 101.01 | 64.69 | 0.00 | 90.69  | 59.91 | 0.00 | 78.53  | 54.53 | 0.00 | 64.28  | 48.54 | 0.00 |
|                                |                    | 62  | 92.05   | 73.79 | 0.00 | 82.77  | 69.09 | 0.00 | 72.04  | 63.83 | 0.00 | 60.16  | 58.07 | 0.00 | 51.02  | 51.02 | 0.00 |
| 48L17<br>48L21<br>48L24        | 1200               | 72  | 83.40   | 40.60 | 0.00 | 76.70  | 37.20 | 0.00 | 69.30  | 33.60 | 0.00 | 60.90  | 29.80 | 0.01 | 51.70  | 25.80 | 0.02 |
|                                |                    | 67  | 70.10   | 42.30 | 0.02 | 63.20  | 38.60 | 0.03 | 55.60  | 34.80 | 0.03 | 47.20  | 30.80 | 0.04 | 37.80  | 26.60 | 0.04 |
|                                |                    | 62  | 57.90   | 43.50 | 0.04 | 50.90  | 39.70 | 0.04 | 43.20  | 35.70 | 0.04 | 34.90  | 31.70 | 0.04 | 27.70  | 27.70 | 0.08 |
|                                | 1600               | 72  | 100.80  | 48.90 | 0.00 | 92.80  | 45.10 | 0.00 | 83.80  | 40.90 | 0.01 | 73.80  | 36.40 | 0.04 | 62.50  | 31.70 | 0.05 |
|                                |                    | 67  | 84.90   | 51.70 | 0.05 | 76.70  | 47.40 | 0.06 | 67.50  | 42.90 | 0.06 | 57.30  | 38.10 | 0.06 | 45.90  | 33.20 | 0.06 |
|                                |                    | 62  | 70.40   | 53.90 | 0.06 | 62.00  | 49.30 | 0.06 | 52.60  | 44.60 | 0.07 | 42.80  | 39.90 | 0.07 | 35.00  | 35.00 | 0.13 |
|                                | 2000               | 72  | 114.70  | 55.70 | 0.00 | 105.70 | 51.60 | 0.00 | 95.60  | 47.00 | 0.05 | 84.20  | 42.00 | 0.07 | 71.40  | 36.70 | 0.08 |
|                                |                    | 67  | 97.00   | 59.50 | 0.08 | 87.70  | 54.90 | 0.08 | 77.30  | 49.90 | 0.09 | 65.60  | 44.60 | 0.09 | 52.50  | 39.00 | 0.09 |
|                                |                    | 62  | 80.60   | 62.80 | 0.09 | 71.00  | 57.70 | 0.09 | 60.50  | 52.50 | 0.09 | 49.60  | 47.20 | 0.10 | 41.30  | 41.30 | 0.18 |
| 60L21<br>60L24                 | 1600               | 72  | 109.20  | 53.40 | 0.00 | 100.00 | 48.60 | 0.00 | 89.90  | 43.60 | 0.00 | 78.60  | 38.50 | 0.00 | 66.40  | 33.10 | 0.02 |
|                                |                    | 67  | 91.50   | 55.10 | 0.02 | 82.10  | 50.00 | 0.03 | 71.90  | 44.80 | 0.03 | 60.70  | 39.40 | 0.03 | 48.40  | 34.00 | 0.03 |
|                                |                    | 62  | 75.40   | 56.30 | 0.03 | 65.90  | 51.00 | 0.03 | 55.60  | 45.70 | 0.04 | 44.80  | 40.40 | 0.04 | 35.30  | 35.30 | 0.07 |
|                                | 2000               | 72  | 128.00  | 62.20 | 0.00 | 117.20 | 56.90 | 0.00 | 105.20 | 51.20 | 0.00 | 92.00  | 45.20 | 0.02 | 77.50  | 39.10 | 0.04 |
|                                |                    | 67  | 107.40  | 64.90 | 0.04 | 96.40  | 59.10 | 0.04 | 84.30  | 53.00 | 0.05 | 71.10  | 46.80 | 0.05 | 56.60  | 40.50 | 0.05 |
|                                |                    | 62  | 88.60   | 66.90 | 0.05 | 77.50  | 60.80 | 0.05 | 65.30  | 54.60 | 0.05 | 52.70  | 48.50 | 0.06 | 42.40  | 42.40 | 0.11 |
|                                | 2400               | 72  | 144.20  | 70.00 | 0.00 | 132.10 | 64.20 | 0.00 | 118.50 | 57.90 | 0.01 | 103.60 | 51.20 | 0.04 | 87.20  | 44.30 | 0.06 |
|                                |                    | 67  | 121.20  | 73.60 | 0.06 | 108.80 | 67.20 | 0.06 | 95.10  | 60.40 | 0.07 | 80.10  | 53.50 | 0.07 | 63.70  | 46.40 | 0.07 |
|                                |                    | 62  | 100.10  | 76.40 | 0.07 | 87.50  | 69.60 | 0.07 | 73.80  | 62.70 | 0.07 | 59.80  | 56.00 | 0.08 | 48.90  | 48.90 | 0.14 |
| 61L21<br>61L24                 | 1600               | 72  | 133.10  | 65.29 | 0.00 | 124.38 | 61.09 | 0.00 | 114.12 | 56.35 | 0.00 | 102.04 | 51.04 | 0.00 | 87.92  | 45.18 | 0.00 |
|                                |                    | 67  | 112.92  | 69.55 | 0.00 | 103.56 | 64.81 | 0.00 | 92.62  | 59.52 | 0.00 | 79.80  | 53.65 | 0.00 | 64.92  | 47.24 | 0.00 |
|                                |                    | 62  | 94.29   | 73.16 | 0.00 | 84.32  | 67.90 | 0.00 | 72.85  | 62.14 | 0.00 | 59.93  | 55.91 | 0.00 | 48.98  | 48.98 | 0.00 |
|                                | 2000               | 72  | 150.19  | 73.70 | 0.00 | 140.73 | 69.39 | 0.00 | 129.45 | 64.43 | 0.00 | 116.13 | 58.76 | 0.00 | 100.38 | 52.39 | 0.00 |
|                                |                    | 67  | 127.98  | 79.99 | 0.00 | 117.77 | 75.03 | 0.00 | 105.67 | 69.38 | 0.00 | 91.36  | 63.01 | 0.00 | 74.55  | 55.91 | 0.00 |
|                                |                    | 62  | 107.36  | 85.50 | 0.00 | 96.47  | 79.93 | 0.00 | 83.81  | 73.69 | 0.00 | 69.74  | 66.88 | 0.00 | 58.70  | 58.70 | 0.00 |
|                                | 2400               | 72  | 163.45  | 80.69 | 0.00 | 153.55 | 76.31 | 0.00 | 141.65 | 71.22 | 0.00 | 127.40 | 65.35 | 0.00 | 110.42 | 58.64 | 0.00 |
|                                |                    | 67  | 139.86  | 88.99 | 0.00 | 129.06 | 83.92 | 0.00 | 116.15 | 78.06 | 0.00 | 100.72 | 71.35 | 0.00 | 82.51  | 63.78 | 0.00 |
|                                |                    | 62  | 117.85  | 96.47 | 0.00 | 106.33 | 90.72 | 0.00 | 92.96  | 84.20 | 0.00 | 78.33  | 76.91 | 0.00 | 67.38  | 67.38 | 0.00 |

Legend:

CFM - Cubic Ft. per Minute

EWB - Entering Wet Bulb

LWB - Leaving Wet Bulb

TC - Gross Cooling Capacity 1000 Btu/h

SHC - Gross Sensible Capacity 1000 Btu/h

BF - Bypass Factor

MBH - 1000 Btu/h

See Legend and Notes on Page 8.

**PRODUCT SPECIFICATIONS**

**Expansion Valve Coils: EAM4X, EAD4X, EAA4X**

| EAA4X<br>UNIT<br>SIZE | INDOOR COIL<br>AIR |         | SATURATED TEMPERATURE LEAVING EVAPORATOR °F (°C) |       |      |        |       |      |        |       |      |        |       |      |         |       |      |
|-----------------------|--------------------|---------|--|-------|------|--------|-------|------|--------|-------|------|--------|-------|------|---------|-------|------|
|                       |                    |         | 30 (- 1)   |       |      | 35 (2) |       |      | 40 (4) |       |      | 45 (7) |       |      | 50 (10) |       |      |
|                       | CFM                | EWB     | TC   | SHC   | BF   | TC     | SHC   | BF   | TC     | SHC   | BF   | TC     | SHC   | BF   | TC      | SHC   | BF   |
| 18L14                 | 450                | 72 (22) | 32.00  | 15.70 | 0.00 | 29.30  | 14.30 | 0.00 | 26.40  | 12.80 | 0.00 | 23.10  | 11.30 | 0.00 | 19.50   | 9.70  | 0.01 |
|                       |                    | 67 (19) | 26.80  | 16.10 | 0.01 | 24.10  | 14.60 | 0.01 | 21.10  | 13.10 | 0.01 | 17.80  | 11.50 | 0.02 | 14.20   | 9.90  | 0.02 |
|                       |                    | 62 (17) | 22.10  | 16.50 | 0.02 | 19.30  | 14.90 | 0.02 | 16.40  | 13.40 | 0.02 | 13.20  | 11.80 | 0.02 | 10.30   | 10.30 | 0.05 |
|                       | 600                | 72 (22) | 39.20  | 19.10 | 0.00 | 36.00  | 17.40 | 0.00 | 32.30  | 15.70 | 0.00 | 28.30  | 13.90 | 0.02 | 23.80   | 12.00 | 0.02 |
|                       |                    | 67 (19) | 32.90  | 19.90 | 0.03 | 29.60  | 18.20 | 0.03 | 25.90  | 16.30 | 0.03 | 21.90  | 14.40 | 0.03 | 17.40   | 12.50 | 0.03 |
|                       |                    | 62 (17) | 27.20  | 20.60 | 0.04 | 23.80  | 18.80 | 0.04 | 20.20  | 16.90 | 0.04 | 16.30  | 15.00 | 0.04 | 13.20   | 13.20 | 0.09 |
|                       | 750                | 72 (22) | 45.10  | 21.90 | 0.00 | 41.40  | 20.10 | 0.00 | 37.20  | 18.20 | 0.02 | 32.60  | 16.10 | 0.04 | 27.40   | 14.00 | 0.04 |
|                       |                    | 67 (19) | 38.00  | 23.20 | 0.05 | 34.20  | 21.20 | 0.05 | 29.90  | 19.10 | 0.05 | 25.20  | 17.00 | 0.05 | 20.00   | 14.70 | 0.06 |
|                       |                    | 62 (17) | 31.50  | 24.20 | 0.06 | 27.60  | 22.10 | 0.06 | 23.40  | 20.00 | 0.06 | 19.10  | 17.90 | 0.06 | 15.70   | 15.70 | 0.13 |
| 24L14<br>24L17        | 600                | 72 (22) | 39.40  | 19.20 | 0.00 | 36.30  | 17.60 | 0.00 | 32.80  | 15.90 | 0.00 | 28.90  | 14.10 | 0.00 | 24.50   | 12.20 | 0.01 |
|                       |                    | 67 (19) | 33.10  | 20.00 | 0.01 | 29.90  | 18.20 | 0.01 | 26.30  | 16.40 | 0.01 | 22.40  | 14.50 | 0.02 | 17.90   | 12.60 | 0.02 |
|                       |                    | 62 (17) | 27.40  | 20.50 | 0.02 | 24.10  | 18.70 | 0.02 | 20.50  | 16.90 | 0.02 | 16.60  | 15.00 | 0.02 | 13.10   | 13.10 | 0.05 |
|                       | 800                | 72 (22) | 47.70  | 23.20 | 0.00 | 44.00  | 21.40 | 0.00 | 39.80  | 19.40 | 0.00 | 35.10  | 17.30 | 0.02 | 29.80   | 15.10 | 0.02 |
|                       |                    | 67 (19) | 40.30  | 24.50 | 0.03 | 36.40  | 22.50 | 0.03 | 32.10  | 20.40 | 0.03 | 27.30  | 18.10 | 0.03 | 21.80   | 15.80 | 0.03 |
|                       |                    | 62 (17) | 33.40  | 25.50 | 0.04 | 29.50  | 23.40 | 0.04 | 25.10  | 21.20 | 0.04 | 20.50  | 19.00 | 0.04 | 16.70   | 16.70 | 0.09 |
|                       | 1000               | 72 (22) | 54.30  | 26.40 | 0.00 | 50.20  | 24.40 | 0.00 | 45.40  | 22.30 | 0.02 | 40.10  | 20.00 | 0.04 | 34.00   | 17.50 | 0.04 |
|                       |                    | 67 (19) | 46.00  | 28.20 | 0.05 | 41.70  | 26.10 | 0.05 | 36.80  | 23.70 | 0.05 | 31.20  | 21.20 | 0.05 | 25.00   | 18.60 | 0.05 |
|                       |                    | 62 (17) | 38.30  | 29.80 | 0.05 | 33.80  | 27.50 | 0.06 | 28.90  | 25.10 | 0.06 | 23.80  | 22.60 | 0.06 | 19.90   | 19.90 | 0.14 |
| 30L14<br>30L17        | 750                | 72 (22) | 49.10  | 24.00 | 0.00 | 45.00  | 21.90 | 0.00 | 40.50  | 19.70 | 0.00 | 35.50  | 17.40 | 0.00 | 30.00   | 15.00 | 0.01 |
|                       |                    | 67 (19) | 41.20  | 24.80 | 0.01 | 37.00  | 22.50 | 0.02 | 32.40  | 20.20 | 0.02 | 27.40  | 17.80 | 0.02 | 21.90   | 15.30 | 0.02 |
|                       |                    | 62 (17) | 34.00  | 25.40 | 0.02 | 29.70  | 23.00 | 0.02 | 25.10  | 20.60 | 0.02 | 20.30  | 18.30 | 0.02 | 16.00   | 16.00 | 0.06 |
|                       | 1000               | 72 (22) | 59.90  | 29.10 | 0.00 | 55.00  | 26.70 | 0.00 | 49.50  | 24.10 | 0.00 | 43.30  | 21.30 | 0.02 | 36.50   | 18.40 | 0.03 |
|                       |                    | 67 (19) | 50.40  | 30.50 | 0.03 | 45.30  | 27.90 | 0.04 | 39.70  | 25.10 | 0.04 | 33.50  | 22.20 | 0.04 | 26.70   | 19.20 | 0.04 |
|                       |                    | 62 (17) | 41.70  | 31.60 | 0.04 | 36.50  | 28.80 | 0.04 | 30.90  | 26.00 | 0.04 | 25.00  | 23.10 | 0.05 | 20.30   | 20.30 | 0.10 |
|                       | 1250               | 72 (22) | 68.80  | 33.40 | 0.00 | 63.20  | 30.70 | 0.00 | 56.80  | 27.80 | 0.03 | 49.70  | 24.70 | 0.04 | 41.90   | 21.40 | 0.05 |
|                       |                    | 67 (19) | 58.00  | 35.40 | 0.06 | 52.20  | 32.40 | 0.06 | 45.70  | 29.30 | 0.06 | 38.50  | 26.00 | 0.06 | 30.60   | 22.60 | 0.07 |
|                       |                    | 62 (17) | 48.00  | 37.00 | 0.07 | 42.10  | 33.90 | 0.07 | 35.70  | 30.70 | 0.07 | 29.20  | 27.50 | 0.07 | 24.20   | 24.20 | 0.14 |
| 36L17<br>36L21        | 900                | 72 (22) | 60.30  | 29.40 | 0.00 | 55.40  | 26.90 | 0.00 | 49.90  | 24.30 | 0.00 | 43.80  | 21.50 | 0.01 | 37.00   | 18.60 | 0.02 |
|                       |                    | 67 (19) | 50.70  | 30.60 | 0.02 | 45.70  | 27.90 | 0.03 | 40.10  | 25.10 | 0.03 | 33.90  | 22.20 | 0.03 | 27.00   | 19.20 | 0.03 |
|                       |                    | 62 (17) | 41.90  | 31.50 | 0.03 | 36.70  | 28.70 | 0.03 | 31.10  | 25.80 | 0.03 | 25.10  | 22.90 | 0.04 | 20.00   | 20.00 | 0.08 |
|                       | 1200               | 72 (22) | 72.40  | 35.10 | 0.00 | 66.50  | 32.30 | 0.00 | 59.90  | 29.30 | 0.02 | 52.50  | 26.00 | 0.04 | 44.30   | 22.60 | 0.05 |
|                       |                    | 67 (19) | 61.00  | 37.10 | 0.05 | 55.00  | 34.00 | 0.06 | 48.20  | 30.70 | 0.06 | 40.70  | 27.30 | 0.06 | 32.40   | 23.70 | 0.06 |
|                       |                    | 62 (17) | 50.50  | 38.80 | 0.06 | 44.30  | 35.50 | 0.06 | 37.60  | 32.10 | 0.06 | 30.60  | 28.70 | 0.07 | 25.20   | 25.20 | 0.13 |
|                       | 1500               | 72 (22) | 82.20  | 39.90 | 0.00 | 75.60  | 36.90 | 0.02 | 68.10  | 33.50 | 0.05 | 59.70  | 29.90 | 0.07 | 50.40   | 26.10 | 0.08 |
|                       |                    | 67 (19) | 69.40  | 42.70 | 0.08 | 62.60  | 39.30 | 0.08 | 55.00  | 35.70 | 0.08 | 46.40  | 31.80 | 0.09 | 37.00   | 27.80 | 0.09 |
|                       |                    | 62 (17) | 57.70  | 45.10 | 0.09 | 50.70  | 41.40 | 0.09 | 43.10  | 37.70 | 0.09 | 35.50  | 34.00 | 0.10 | 29.80   | 29.80 | 0.18 |
| 42L21                 | 1050               | 72 (22) | 75.00  | 36.40 | 0.00 | 69.30  | 33.70 | 0.00 | 62.60  | 30.60 | 0.01 | 55.10  | 27.40 | 0.02 | 46.90   | 24.00 | 0.03 |
|                       |                    | 67 (19) | 63.30  | 38.80 | 0.03 | 57.20  | 35.70 | 0.03 | 50.50  | 32.50 | 0.03 | 42.90  | 29.00 | 0.04 | 33.50   | 25.00 | 0.04 |
|                       |                    | 62 (17) | 52.60  | 40.80 | 0.04 | 46.40  | 37.60 | 0.04 | 39.50  | 34.10 | 0.04 | 32.00  | 30.40 | 0.05 | 26.40   | 26.40 | 0.14 |
|                       | 1400               | 72 (22) | 87.10  | 42.50 | 0.00 | 80.60  | 39.50 | 0.03 | 73.00  | 36.20 | 0.04 | 64.20  | 32.50 | 0.05 | 54.40   | 28.60 | 0.06 |
|                       |                    | 67 (19) | 73.80  | 46.10 | 0.06 | 66.90  | 42.70 | 0.06 | 58.90  | 39.00 | 0.07 | 50.10  | 35.20 | 0.07 | 40.00   | 30.90 | 0.07 |
|                       |                    | 62 (17) | 61.40  | 49.30 | 0.07 | 54.40  | 45.70 | 0.07 | 46.90  | 42.10 | 0.07 | 39.00  | 38.10 | 0.09 | 33.00   | 33.00 | 0.19 |
|                       | 1750               | 72 (22) | 96.50  | 47.40 | 0.05 | 89.50  | 44.30 | 0.07 | 81.30  | 40.80 | 0.07 | 71.70  | 36.90 | 0.08 | 60.50   | 32.60 | 0.09 |
|                       |                    | 67 (19) | 82.10  | 52.30 | 0.09 | 74.60  | 48.80 | 0.09 | 65.90  | 44.90 | 0.09 | 55.90  | 40.60 | 0.09 | 45.10   | 36.20 | 0.10 |
|                       |                    | 62 (17) | 68.60  | 56.80 | 0.10 | 61.00  | 53.10 | 0.10 | 52.90  | 49.10 | 0.10 | 44.90  | 44.90 | 0.12 | 38.70   | 38.70 | 0.24 |
| 48L21<br>48L24        | 1200               | 72 (22) | 83.40  | 40.60 | 0.00 | 76.70  | 37.20 | 0.00 | 69.30  | 33.60 | 0.00 | 60.90  | 29.80 | 0.01 | 51.70   | 25.80 | 0.02 |
|                       |                    | 67 (19) | 70.10  | 42.30 | 0.02 | 63.20  | 38.60 | 0.03 | 55.60  | 34.80 | 0.03 | 47.20  | 30.80 | 0.04 | 37.80   | 26.60 | 0.04 |
|                       |                    | 62 (17) | 57.90  | 43.50 | 0.04 | 50.90  | 39.70 | 0.04 | 43.20  | 35.70 | 0.04 | 34.90  | 31.70 | 0.04 | 27.70   | 27.70 | 0.08 |
|                       | 1600               | 72 (22) | 100.80   | 48.90 | 0.00 | 92.80  | 45.10 | 0.00 | 83.80  | 40.90 | 0.01 | 73.80  | 36.40 | 0.04 | 62.50   | 31.70 | 0.05 |
|                       |                    | 67 (19) | 84.90  | 51.70 | 0.05 | 76.70  | 47.40 | 0.06 | 67.50  | 42.90 | 0.06 | 57.30  | 38.10 | 0.06 | 45.90   | 33.20 | 0.06 |
|                       |                    | 62 (17) | 70.40  | 53.90 | 0.06 | 62.00  | 49.30 | 0.06 | 52.60  | 44.60 | 0.07 | 42.80  | 39.90 | 0.07 | 35.00   | 35.00 | 0.13 |
|                       | 2000               | 72 (22) | 114.70   | 55.70 | 0.00 | 105.70 | 51.60 | 0.00 | 95.60  | 47.00 | 0.05 | 84.20  | 42.00 | 0.07 | 71.40   | 36.70 | 0.08 |
|                       |                    | 67 (19) | 97.00  | 59.50 | 0.08 | 87.70  | 54.90 | 0.08 | 77.30  | 49.90 | 0.09 | 65.60  | 44.60 | 0.09 | 52.50   | 39.00 | 0.09 |
|                       |                    | 62 (17) | 80.60  | 62.80 | 0.09 | 71.00  | 57.70 | 0.09 | 60.50  | 52.50 | 0.09 | 49.60  | 47.20 | 0.10 | 41.30   | 41.30 | 0.18 |
| 60L24                 | 1600               | 72 (22) | 109.20   | 53.40 | 0.00 | 100.00 | 48.60 | 0.00 | 89.90  | 43.60 | 0.00 | 78.60  | 38.50 | 0.00 | 66.40   | 33.10 | 0.02 |
|                       |                    | 67 (19) | 91.50  | 55.10 | 0.02 | 82.10  | 50.00 | 0.03 | 71.90  | 44.80 | 0.03 | 60.70  | 39.40 | 0.03 | 48.40   | 34.00 | 0.03 |
|                       |                    | 62 (17) | 75.40  | 56.30 | 0.03 | 65.90  | 51.00 | 0.03 | 55.60  | 45.70 | 0.04 | 44.80  | 40.40 | 0.04 | 35.30   | 35.30 | 0.07 |
|                       | 2000               | 72 (22) | 128.00   | 62.20 | 0.00 | 117.20 | 56.90 | 0.00 | 105.20 | 51.20 | 0.00 | 92.00  | 45.20 | 0.02 | 77.50   | 39.10 | 0.04 |
|                       |                    | 67 (19) | 107.40   | 64.90 | 0.04 | 96.40  | 59.10 | 0.04 | 84.30  | 53.00 | 0.05 | 71.10  | 46.80 | 0.05 | 56.60   | 40.50 | 0.05 |
|                       |                    | 62 (17) | 88.60  | 66.90 | 0.05 | 77.50  | 60.80 | 0.05 | 65.30  | 54.60 | 0.05 | 52.70  | 48.50 | 0.06 | 42.40   | 42.40 | 0.11 |
|                       | 2400               | 72 (22) | 144.20   | 70.00 | 0.00 | 132.10 | 64.20 | 0.00 | 118.50 | 57.90 | 0.01 | 103.60 | 51.20 | 0.04 | 87.20   | 44.30 | 0.06 |
|                       |                    | 67 (19) | 121.20   | 73.60 | 0.06 | 108.80 | 67.20 | 0.06 | 95.10  | 60.40 | 0.07 | 80.10  | 53.50 | 0.07 | 63.70   | 46.40 | 0.07 |
|                       |                    | 62 (17) | 100.10   | 76.40 | 0.07 | 87.50  | 69.60 | 0.07 | 73.80  | 62.70 | 0.07 | 59.80  | 56.00 | 0.08 | 48.90   | 48.90 | 0.14 |

Legend:

CFM - Cubic Ft. per Minute

EWB - Entering Wet Bulb

LWB - Leaving Wet Bulb

TC - Gross Cooling Capacity 1000 Btuh

SHC - Gross Sensible Capacity 1000 Btuh

BF - Bypass Factor

MBH - 1000 Btuh

See Legend and Notes on Page 8.

**NOTES:**

1. Contact manufacturer for cooling capacities at conditions other than shown in table.
2. Formulas:  

$$\text{Leaving db} = \text{entering db} - \frac{\text{sensible heat cap.}}{1.09 \times \text{CFM}}$$

$$\text{Leaving wb} = \text{wb corresponding to enthalpy of air leaving coil (h}_{LWB})$$

$$h_{LWB} = h_{EWB} - \frac{\text{total capacity (Btuh)}}{4.5 \times \text{CFM}}$$
 Where  $h_{EWB}$  = enthalpy of air entering coil
3. SHC is based on 80°F db temperature of air entering the evaporator coil.  
 Below 80°F db, subtract (Correction Factor x CFM) from SHC.  
 Above 80°F db, add (Correction Factor x CFM) to SHC.
4. Direct interpolation is permissible. Do not extrapolate.
5. Fan motor heat has not been deducted.
6. All data points are based on 10°F superheat leaving coil and use of thermostatic expansion valve (TXV) device.
7. All units have sweat suction-tube connection and a liquid-tube connection. For 1- 1/8 in. system suction tube, 3/4 x 1- 1/8 in. suction tube connection adapter is available as accessory.
8. The EAM4X coils can be used in any properly designed system using Refrigerant R- 410A.
9. Before using maximum cfm shown in table, check coil static pressure drop to ensure system blower can provide necessary static pressure needed for coil and duct systems.
10. Bypass Factor = 0 indicates no psychometric solution. Use bypass factor of next lower EWB for approximation.

| BYPASS FACTOR | ENTERING AIR DRY BULB TEMPERATURE (°F) |      |      |      |      |                         |
|---------------|--|------|------|------|------|-------------------------|
|               | 79                                     | 78   | 77   | 76   | 75   | Under 75                |
|               | 81                                     | 82   | 83   | 84   | 84   | Above 85                |
|               | <b>Correction Factor</b>               |      |      |      |      |                         |
| 0.10          | 0.98                                   | 1.96 | 2.94 | 3.92 | 4.91 | Use formula shown below |
| 0.20          | 0.87                                   | 1.74 | 2.62 | 3.49 | 4.36 |                         |
| 0.30          | 0.76                                   | 1.53 | 2.29 | 3.05 | 3.82 |                         |

Interpolation is permissible.

$$\text{Correction Factor} = 1.09 \times (1 - \text{BF}) \times (\text{db} - 80)$$

**PERFORMANCE DATA (CONT.)**

**COIL STATIC PRESSURE DROP (in. w.c.) R-410A**

| EAM4X<br>EAD4X<br>UNIT<br>SIZE | STANDARD CFM |       |       |       |       |       |       |       |       |       |       |       |       |      |      |      |      |      |      |  |  |  |
|--------------------------------|--------------|-------|-------|-------|-------|-------|-------|-------|-------|-------|-------|-------|-------|------|------|------|------|------|------|--|--|--|
|                                | 400          | 500   | 600   | 700   | 800   | 900   | 1000  | 1100  | 1200  | 1300  | 1400  | 1500  | 1600  | 1700 | 1800 | 1900 | 2000 | 2100 | 2200 |  |  |  |
| 18L14                          | Dry          |       |       |       |       |       |       |       |       |       |       |       |       |      |      |      |      |      |      |  |  |  |
|                                | 0.079        | 0.111 | 0.145 | 0.186 | 0.232 |       |       |       |       |       |       |       |       |      |      |      |      |      |      |  |  |  |
|                                | Wet          |       |       |       |       |       |       |       |       |       |       |       |       |      |      |      |      |      |      |  |  |  |
| 19L17                          | 0.083        | 0.116 | 0.151 | 0.196 | 0.243 |       |       |       |       |       |       |       |       |      |      |      |      |      |      |  |  |  |
|                                | Dry          |       |       |       |       |       |       |       |       |       |       |       |       |      |      |      |      |      |      |  |  |  |
|                                | 0.077        | 0.099 | 0.124 | 0.152 | 0.182 |       |       |       |       |       |       |       |       |      |      |      |      |      |      |  |  |  |
| 24L14                          | Wet          |       |       |       |       |       |       |       |       |       |       |       |       |      |      |      |      |      |      |  |  |  |
|                                | 0.088        | 0.113 | 0.137 | 0.170 | 0.209 |       |       |       |       |       |       |       |       |      |      |      |      |      |      |  |  |  |
|                                | Dry          |       |       |       |       |       |       |       |       |       |       |       |       |      |      |      |      |      |      |  |  |  |
| 24L17                          | 0.065        | 0.091 | 0.120 | 0.154 | 0.194 | 0.237 | 0.284 |       |       |       |       |       |       |      |      |      |      |      |      |  |  |  |
|                                | Wet          |       |       |       |       |       |       |       |       |       |       |       |       |      |      |      |      |      |      |  |  |  |
|                                | 0.066        | 0.094 | 0.124 | 0.161 | 0.203 | 0.250 | 0.301 |       |       |       |       |       |       |      |      |      |      |      |      |  |  |  |
| 25L17                          | Dry          |       |       |       |       |       |       |       |       |       |       |       |       |      |      |      |      |      |      |  |  |  |
|                                | 0.056        | 0.076 | 0.097 | 0.123 | 0.151 | 0.182 | 0.215 |       |       |       |       |       |       |      |      |      |      |      |      |  |  |  |
|                                | Wet          |       |       |       |       |       |       |       |       |       |       |       |       |      |      |      |      |      |      |  |  |  |
| 30L14                          | 0.060        | 0.082 | 0.105 | 0.132 | 0.163 | 0.195 | 0.231 |       |       |       |       |       |       |      |      |      |      |      |      |  |  |  |
|                                | Dry          |       |       |       |       |       |       |       |       |       |       |       |       |      |      |      |      |      |      |  |  |  |
|                                | 0.069        | 0.090 | 0.111 | 0.136 | 0.165 | 0.193 | 0.227 |       |       |       |       |       |       |      |      |      |      |      |      |  |  |  |
| 30L17                          | Wet          |       |       |       |       |       |       |       |       |       |       |       |       |      |      |      |      |      |      |  |  |  |
|                                | 0.071        | 0.090 | 0.113 | 0.136 | 0.164 | 0.196 | 0.229 |       |       |       |       |       |       |      |      |      |      |      |      |  |  |  |
|                                | Dry          |       |       |       |       |       |       |       |       |       |       |       |       |      |      |      |      |      |      |  |  |  |
| 36L14                          | 0.054        | 0.077 | 0.102 | 0.133 | 0.167 | 0.206 | 0.248 | 0.296 | 0.347 |       |       |       |       |      |      |      |      |      |      |  |  |  |
|                                | Wet          |       |       |       |       |       |       |       |       |       |       |       |       |      |      |      |      |      |      |  |  |  |
|                                | 0.059        | 0.084 | 0.111 | 0.142 | 0.181 | 0.223 | 0.269 | 0.319 | 0.375 |       |       |       |       |      |      |      |      |      |      |  |  |  |
| 36L17                          | Dry          |       |       |       |       |       |       |       |       |       |       |       |       |      |      |      |      |      |      |  |  |  |
|                                | 0.043        | 0.059 | 0.077 | 0.096 | 0.119 | 0.144 | 0.171 | 0.201 | 0.232 |       |       |       |       |      |      |      |      |      |      |  |  |  |
|                                | Wet          |       |       |       |       |       |       |       |       |       |       |       |       |      |      |      |      |      |      |  |  |  |
| 36L21                          | 0.046        | 0.063 | 0.083 | 0.105 | 0.130 | 0.157 | 0.186 | 0.219 | 0.252 |       |       |       |       |      |      |      |      |      |      |  |  |  |
|                                | Dry          |       |       |       |       |       |       |       |       |       |       |       |       |      |      |      |      |      |      |  |  |  |
|                                | 0.047        | 0.069 | 0.093 | 0.119 | 0.151 | 0.187 | 0.227 | 0.270 | 0.317 | 0.362 | 0.418 |       |       |      |      |      |      |      |      |  |  |  |
| 37L17                          | Wet          |       |       |       |       |       |       |       |       |       |       |       |       |      |      |      |      |      |      |  |  |  |
|                                | 0.053        | 0.076 | 0.101 | 0.129 | 0.162 | 0.200 | 0.241 | 0.286 | 0.335 | 0.388 | 0.447 |       |       |      |      |      |      |      |      |  |  |  |
|                                | Dry          |       |       |       |       |       |       |       |       |       |       |       |       |      |      |      |      |      |      |  |  |  |
| 42L21                          | 0.023        | 0.036 | 0.052 | 0.069 | 0.089 | 0.110 | 0.135 | 0.160 | 0.189 | 0.219 | 0.251 |       |       |      |      |      |      |      |      |  |  |  |
|                                | Wet          |       |       |       |       |       |       |       |       |       |       |       |       |      |      |      |      |      |      |  |  |  |
|                                | 0.042        | 0.058 | 0.076 | 0.095 | 0.117 | 0.142 | 0.169 | 0.198 | 0.231 | 0.265 | 0.299 |       |       |      |      |      |      |      |      |  |  |  |
| 42L24                          | Dry          |       |       |       |       |       |       |       |       |       |       |       |       |      |      |      |      |      |      |  |  |  |
|                                | 0.026        | 0.037 | 0.050 | 0.062 | 0.077 | 0.092 | 0.109 | 0.128 | 0.148 | 0.170 | 0.193 |       |       |      |      |      |      |      |      |  |  |  |
|                                | Wet          |       |       |       |       |       |       |       |       |       |       |       |       |      |      |      |      |      |      |  |  |  |
| 43L21                          | 0.029        | 0.040 | 0.053 | 0.065 | 0.082 | 0.099 | 0.119 | 0.138 | 0.160 | 0.185 | 0.209 |       |       |      |      |      |      |      |      |  |  |  |
|                                | Dry          |       |       |       |       |       |       |       |       |       |       |       |       |      |      |      |      |      |      |  |  |  |
|                                | 0.077        | 0.099 | 0.124 | 0.152 | 0.182 | 0.216 | 0.253 | 0.294 | 0.338 |       |       |       |       |      |      |      |      |      |      |  |  |  |
| 43L21                          | Wet          |       |       |       |       |       |       |       |       |       |       |       |       |      |      |      |      |      |      |  |  |  |
|                                | 0.088        | 0.113 | 0.137 | 0.170 | 0.209 | 0.247 | 0.287 | 0.326 | 0.368 |       |       |       |       |      |      |      |      |      |      |  |  |  |
|                                | Dry          |       |       |       |       |       |       |       |       |       |       |       |       |      |      |      |      |      |      |  |  |  |
| 43L21                          |              |       | 0.059 | 0.073 | 0.090 | 0.111 | 0.135 | 0.162 | 0.191 | 0.222 | 0.254 |       |       |      |      |      |      |      |      |  |  |  |
|                                | Wet          |       |       |       |       |       |       |       |       |       |       |       |       |      |      |      |      |      |      |  |  |  |
|                                |              |       | 0.073 | 0.096 | 0.120 | 0.147 | 0.176 | 0.207 | 0.240 | 0.276 | 0.314 |       |       |      |      |      |      |      |      |  |  |  |
| 43L21                          | Dry          |       |       |       |       |       |       |       |       |       |       |       |       |      |      |      |      |      |      |  |  |  |
|                                |              |       | 0.044 | 0.056 | 0.068 | 0.082 | 0.099 | 0.119 | 0.138 | 0.161 | 0.183 | 0.205 | 0.233 |      |      |      |      |      |      |  |  |  |
|                                | Wet          |       |       |       |       |       |       |       |       |       |       |       |       |      |      |      |      |      |      |  |  |  |
| 43L21                          |              |       | 0.058 | 0.073 | 0.089 | 0.106 | 0.125 | 0.143 | 0.165 | 0.189 | 0.213 | 0.239 | 0.268 |      |      |      |      |      |      |  |  |  |
|                                | Dry          |       |       |       |       |       |       |       |       |       |       |       |       |      |      |      |      |      |      |  |  |  |
|                                |              |       | 0.039 | 0.049 | 0.060 | 0.072 | 0.085 | 0.099 | 0.114 | 0.130 | 0.146 | 0.164 | 0.182 |      |      |      |      |      |      |  |  |  |
| 43L21                          | Wet          |       |       |       |       |       |       |       |       |       |       |       |       |      |      |      |      |      |      |  |  |  |
|                                |              |       | 0.054 | 0.066 | 0.079 | 0.092 | 0.103 | 0.125 | 0.142 | 0.161 | 0.182 | 0.202 | 0.222 |      |      |      |      |      |      |  |  |  |
|                                | Dry          |       |       |       |       |       |       |       |       |       |       |       |       |      |      |      |      |      |      |  |  |  |
| 43L21                          |              |       | 0.059 | 0.073 | 0.090 | 0.111 | 0.135 | 0.162 | 0.191 | 0.222 | 0.254 | 0.288 | 0.323 |      |      |      |      |      |      |  |  |  |
|                                | Wet          |       |       |       |       |       |       |       |       |       |       |       |       |      |      |      |      |      |      |  |  |  |
|                                |              |       | 0.073 | 0.096 | 0.120 | 0.147 | 0.176 | 0.207 | 0.240 | 0.276 | 0.314 | 0.354 | 0.396 |      |      |      |      |      |      |  |  |  |

Specifications subject to change without notice.

| EAM4X<br>EAD4X<br>UNIT<br>SIZE | STANDARD CFM |     |       |       |       |       |       |       |       |       |       |       |       |       |       |       |       |       |       |
|--------------------------------|--------------|-----|-------|-------|-------|-------|-------|-------|-------|-------|-------|-------|-------|-------|-------|-------|-------|-------|-------|
|                                | 400          | 500 | 600   | 700   | 800   | 900   | 1000  | 1100  | 1200  | 1300  | 1400  | 1500  | 1600  | 1700  | 1800  | 1900  | 2000  | 2100  | 2200  |
| 48L17                          | Dry          |     |       |       |       |       |       |       |       |       |       |       |       |       |       |       |       |       |       |
|                                |              |     | 0.065 | 0.082 | 0.105 | 0.128 | 0.156 | 0.185 | 0.216 | 0.253 | 0.290 | 0.331 | 0.372 | 0.417 | 0.464 |       |       |       |       |
| 48L21                          | Wet          |     |       |       |       |       |       |       |       |       |       |       |       |       |       |       |       |       |       |
|                                |              |     | 0.066 | 0.084 | 0.106 | 0.130 | 0.159 | 0.188 | 0.222 | 0.256 | 0.296 | 0.337 | 0.379 | 0.425 | 0.476 |       |       |       |       |
| 48L24                          | Dry          |     |       |       |       |       |       |       |       |       |       |       |       |       |       |       |       |       |       |
|                                |              |     | 0.055 | 0.072 | 0.089 | 0.107 | 0.128 | 0.150 | 0.175 | 0.199 | 0.228 | 0.257 | 0.288 | 0.321 | 0.356 |       |       |       |       |
| 60L21                          | Wet          |     |       |       |       |       |       |       |       |       |       |       |       |       |       |       |       |       |       |
|                                |              |     | 0.058 | 0.075 | 0.094 | 0.115 | 0.136 | 0.161 | 0.188 | 0.217 | 0.247 | 0.279 | 0.313 | 0.347 | 0.386 |       |       |       |       |
| 60L24                          | Dry          |     |       |       |       |       |       |       |       |       |       |       |       |       |       |       |       |       |       |
|                                |              |     | 0.044 | 0.056 | 0.069 | 0.084 | 0.100 | 0.118 | 0.137 | 0.159 | 0.180 | 0.198 | 0.222 | 0.247 | 0.275 |       |       |       |       |
| 60L21                          | Wet          |     |       |       |       |       |       |       |       |       |       |       |       |       |       |       |       |       |       |
|                                |              |     | 0.052 | 0.065 | 0.080 | 0.095 | 0.112 | 0.131 | 0.150 | 0.171 | 0.193 | 0.214 | 0.241 | 0.270 | 0.296 |       |       |       |       |
| 60L24                          | Dry          |     |       |       |       |       |       |       |       |       |       |       |       |       |       |       |       |       |       |
|                                |              |     |       |       | 0.075 | 0.093 | 0.112 | 0.133 | 0.157 | 0.181 | 0.206 | 0.234 | 0.264 | 0.294 | 0.326 | 0.360 | 0.396 | 0.432 | 0.478 |
| 61L21                          | Wet          |     |       |       |       |       |       |       |       |       |       |       |       |       |       |       |       |       |       |
|                                |              |     |       |       | 0.077 | 0.095 | 0.115 | 0.137 | 0.159 | 0.184 | 0.209 | 0.238 | 0.268 | 0.300 | 0.334 | 0.370 | 0.407 | 0.444 | 0.488 |
| 61L24                          | Dry          |     |       |       |       |       |       |       |       |       |       |       |       |       |       |       |       |       |       |
|                                |              |     |       |       | 0.073 | 0.083 | 0.095 | 0.107 | 0.120 | 0.136 | 0.152 | 0.169 | 0.184 | 0.203 | 0.217 | 0.238 | 0.260 | 0.283 | 0.307 |
| 61L21                          | Wet          |     |       |       |       |       |       |       |       |       |       |       |       |       |       |       |       |       |       |
|                                |              |     |       |       | 0.076 | 0.086 | 0.098 | 0.110 | 0.124 | 0.140 | 0.157 | 0.175 | 0.193 | 0.215 | 0.238 | 0.261 | 0.286 | 0.314 | 0.342 |
| 61L24                          | Dry          |     |       |       |       |       |       |       |       |       |       |       |       |       |       |       |       |       |       |
|                                |              |     |       |       | 0.111 | 0.133 | 0.153 | 0.163 | 0.204 | 0.234 | 0.262 | 0.293 | 0.326 | 0.366 | 0.392 | 0.437 | 0.480 | 0.520 |       |
| 61L24                          | Wet          |     |       |       |       |       |       |       |       |       |       |       |       |       |       |       |       |       |       |
|                                |              |     |       |       | 0.130 | 0.150 | 0.183 | 0.210 | 0.245 | 0.280 | 0.320 | 0.355 | 0.400 | 0.435 | 0.480 | 0.525 | 0.570 | 0.630 |       |
| 61L24                          | Dry          |     |       |       |       |       |       |       |       |       |       |       |       |       |       |       |       |       |       |
|                                |              |     |       |       | 0.099 | 0.113 | 0.127 | 0.144 | 0.162 | 0.182 | 0.203 | 0.227 | 0.252 | 0.279 | 0.307 | 0.337 | 0.369 | 0.403 |       |
| 61L24                          | Wet          |     |       |       |       |       |       |       |       |       |       |       |       |       |       |       |       |       |       |
|                                |              |     |       |       | 0.118 | 0.140 | 0.163 | 0.187 | 0.213 | 0.239 | 0.266 | 0.295 | 0.325 | 0.355 | 0.387 | 0.420 | 0.454 | 0.489 |       |

| EAA4X<br>UNIT<br>SIZE | STANDARD CFM |       |       |       |       |       |       |       |       |       |       |       |       |       |       |       |       |       |       |
|-----------------------|--------------|-------|-------|-------|-------|-------|-------|-------|-------|-------|-------|-------|-------|-------|-------|-------|-------|-------|-------|
|                       | 400          | 500   | 600   | 700   | 800   | 900   | 1000  | 1100  | 1200  | 1300  | 1400  | 1500  | 1600  | 1700  | 1800  | 1900  | 2000  | 2100  | 2200  |
| 18L14                 | Dry          |       |       |       |       |       |       |       |       |       |       |       |       |       |       |       |       |       |       |
|                       | 0.079        | 0.111 | 0.145 | 0.186 | 0.232 |       |       |       |       |       |       |       |       |       |       |       |       |       |       |
| 24L14                 | Wet          |       |       |       |       |       |       |       |       |       |       |       |       |       |       |       |       |       |       |
|                       | 0.083        | 0.116 | 0.151 | 0.196 | 0.243 |       |       |       |       |       |       |       |       |       |       |       |       |       |       |
| 24L17                 | Dry          |       |       |       |       |       |       |       |       |       |       |       |       |       |       |       |       |       |       |
|                       | 0.065        | 0.091 | 0.120 | 0.154 | 0.194 | 0.237 | 0.284 |       |       |       |       |       |       |       |       |       |       |       |       |
| 30L14                 | Wet          |       |       |       |       |       |       |       |       |       |       |       |       |       |       |       |       |       |       |
|                       | 0.066        | 0.094 | 0.124 | 0.161 | 0.203 | 0.250 | 0.301 |       |       |       |       |       |       |       |       |       |       |       |       |
| 30L17                 | Dry          |       |       |       |       |       |       |       |       |       |       |       |       |       |       |       |       |       |       |
|                       | 0.056        | 0.076 | 0.097 | 0.123 | 0.151 | 0.182 | 0.215 |       |       |       |       |       |       |       |       |       |       |       |       |
| 36L17                 | Wet          |       |       |       |       |       |       |       |       |       |       |       |       |       |       |       |       |       |       |
|                       | 0.060        | 0.082 | 0.105 | 0.132 | 0.163 | 0.195 | 0.231 |       |       |       |       |       |       |       |       |       |       |       |       |
| 36L21                 | Dry          |       |       |       |       |       |       |       |       |       |       |       |       |       |       |       |       |       |       |
|                       | 0.054        | 0.077 | 0.102 | 0.133 | 0.167 | 0.206 | 0.248 | 0.296 | 0.347 |       |       |       |       |       |       |       |       |       |       |
| 42L21                 | Wet          |       |       |       |       |       |       |       |       |       |       |       |       |       |       |       |       |       |       |
|                       | 0.059        | 0.084 | 0.111 | 0.142 | 0.181 | 0.223 | 0.269 | 0.319 | 0.375 |       |       |       |       |       |       |       |       |       |       |
| 48L21                 | Dry          |       |       |       |       |       |       |       |       |       |       |       |       |       |       |       |       |       |       |
|                       | 0.043        | 0.059 | 0.077 | 0.096 | 0.119 | 0.144 | 0.171 | 0.201 | 0.232 |       |       |       |       |       |       |       |       |       |       |
| 48L24                 | Wet          |       |       |       |       |       |       |       |       |       |       |       |       |       |       |       |       |       |       |
|                       | 0.046        | 0.063 | 0.083 | 0.105 | 0.130 | 0.157 | 0.186 | 0.219 | 0.252 |       |       |       |       |       |       |       |       |       |       |
| 60L24                 | Dry          |       |       |       |       |       |       |       |       |       |       |       |       |       |       |       |       |       |       |
|                       | 0.023        | 0.036 | 0.052 | 0.069 | 0.089 | 0.110 | 0.135 | 0.160 | 0.189 | 0.219 | 0.251 |       |       |       |       |       |       |       |       |
| 60L24                 | Wet          |       |       |       |       |       |       |       |       |       |       |       |       |       |       |       |       |       |       |
|                       | 0.042        | 0.058 | 0.076 | 0.095 | 0.117 | 0.142 | 0.169 | 0.198 | 0.231 | 0.265 | 0.299 |       |       |       |       |       |       |       |       |
| 60L24                 | Dry          |       |       |       |       |       |       |       |       |       |       |       |       |       |       |       |       |       |       |
|                       | 0.026        | 0.037 | 0.050 | 0.062 | 0.077 | 0.092 | 0.109 | 0.128 | 0.148 | 0.170 | 0.193 |       |       |       |       |       |       |       |       |
| 60L24                 | Wet          |       |       |       |       |       |       |       |       |       |       |       |       |       |       |       |       |       |       |
|                       | 0.029        | 0.040 | 0.053 | 0.065 | 0.082 | 0.099 | 0.119 | 0.138 | 0.160 | 0.185 | 0.209 |       |       |       |       |       |       |       |       |
| 60L24                 | Dry          |       |       |       |       |       |       |       |       |       |       |       |       |       |       |       |       |       |       |
|                       |              |       | 0.044 | 0.056 | 0.068 | 0.082 | 0.099 | 0.119 | 0.138 | 0.161 | 0.183 | 0.205 | 0.233 |       |       |       |       |       |       |
| 60L24                 | Wet          |       |       |       |       |       |       |       |       |       |       |       |       |       |       |       |       |       |       |
|                       |              |       | 0.058 | 0.073 | 0.089 | 0.106 | 0.125 | 0.143 | 0.165 | 0.189 | 0.213 | 0.239 | 0.268 |       |       |       |       |       |       |
| 60L24                 | Dry          |       |       |       |       |       |       |       |       |       |       |       |       |       |       |       |       |       |       |
|                       |              |       | 0.055 | 0.072 | 0.089 | 0.107 | 0.128 | 0.150 | 0.175 | 0.199 | 0.228 | 0.257 | 0.288 | 0.321 | 0.356 |       |       |       |       |
| 60L24                 | Wet          |       |       |       |       |       |       |       |       |       |       |       |       |       |       |       |       |       |       |
|                       |              |       | 0.058 | 0.075 | 0.094 | 0.115 | 0.136 | 0.161 | 0.188 | 0.217 | 0.247 | 0.279 | 0.313 | 0.347 | 0.386 |       |       |       |       |
| 60L24                 | Dry          |       |       |       |       |       |       |       |       |       |       |       |       |       |       |       |       |       |       |
|                       |              |       | 0.044 | 0.056 | 0.069 | 0.084 | 0.100 | 0.118 | 0.137 | 0.159 | 0.180 | 0.198 | 0.222 | 0.247 | 0.275 |       |       |       |       |
| 60L24                 | Wet          |       |       |       |       |       |       |       |       |       |       |       |       |       |       |       |       |       |       |
|                       |              |       | 0.052 | 0.065 | 0.080 | 0.095 | 0.112 | 0.131 | 0.150 | 0.171 | 0.193 | 0.214 | 0.241 | 0.270 | 0.296 |       |       |       |       |
| 60L24                 | Dry          |       |       |       |       |       |       |       |       |       |       |       |       |       |       |       |       |       |       |
|                       |              |       |       |       | 0.073 | 0.083 | 0.095 | 0.107 | 0.120 | 0.136 | 0.152 | 0.169 | 0.184 | 0.203 | 0.217 | 0.238 | 0.260 | 0.283 | 0.307 |
| 60L24                 | Wet          |       |       |       |       |       |       |       |       |       |       |       |       |       |       |       |       |       |       |
|                       |              |       |       |       | 0.076 | 0.086 | 0.098 | 0.110 | 0.124 | 0.140 | 0.157 | 0.175 | 0.193 | 0.215 | 0.238 | 0.261 | 0.286 | 0.314 | 0.342 |

**ACCESSORIES**

| CASING PART NUMBER | NOMINAL COIL SIZES       | DIMENSIONS IN.(MM) |                  |                  |
|--------------------|--------------------------|--------------------|------------------|------------------|
|                    |                          | HEIGHT             | WIDTH            | DEPTH            |
| NAEA01012CC        | EAA4X (18, 24, 30) L14A1 | 25 13/16" (655.6)  | 14 3/16" (360.4) | 20- 5/8" (523.9) |
| NAEA01106CC        | EAA4X (24, 30) L17A1     | 25 13/16" (655.6)  | 17 1/2" (444.5)  | 20- 5/8" (523.9) |
| NAEA01206CC        | EAA4X36L17A1             | 29 3/4" (755.6)    | 17 1/2" (444.5)  | 20- 5/8" (523.9) |
| NAEA01304CC        | EAA4X (36, 42, 48) L21A1 | 29 3/4" (755.6)    | 21" (533.4)      | 20- 5/8" (523.9) |
| NAEA01404CC        | EAA4X48L24A1             | 29 3/4" (755.6)    | 24 1/2" (622.3)  | 20- 5/8" (523.9) |
| NAEA01504CC        | EAA4X60L24A1             | 35" (889.0)        | 24 1/2" (622.3)  | 20- 5/8" (523.9) |

