



Date: 3/7/2019

Weights: 366lbs/166.02kg

Units:

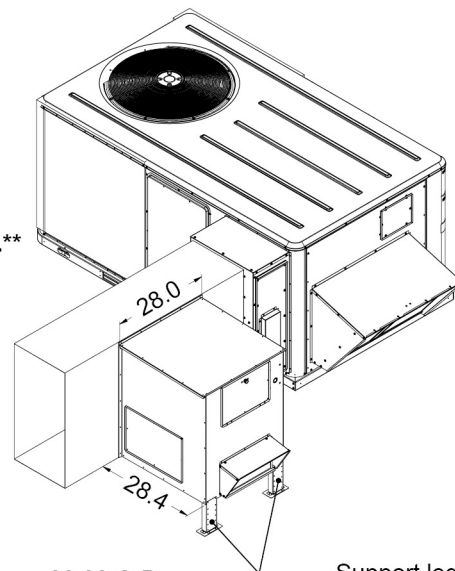
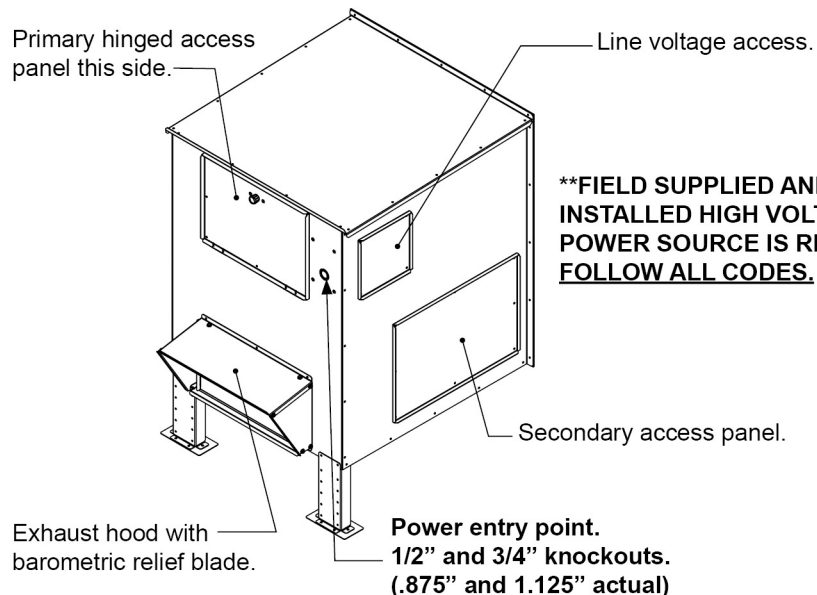
Part Number: PECE-PRCCECA-DYDB-2M1R

Submitted To: rddejohn@trane.com

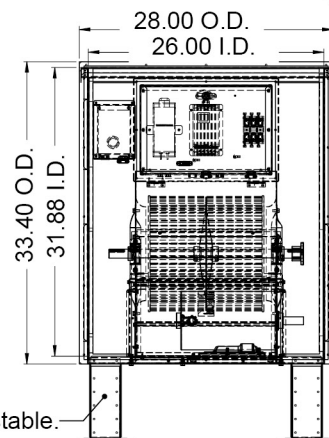
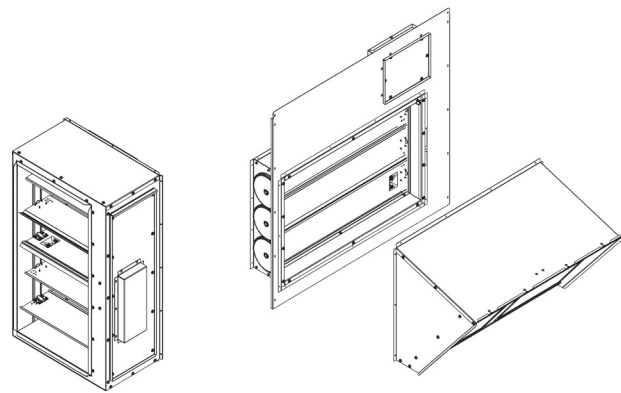
Job:

Notes:

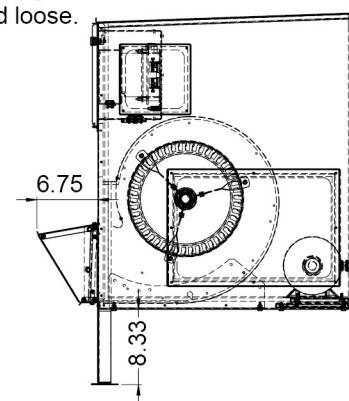
Economizer & Power Exhaust Combination Package, Ultra Low Leak Horizontal with Belimo Zip - ReliaTel Bypass - No VAV Or Zone Sensors, Belimo Actuator, Adjustable Dry Bulb Sensor, 208-230 Volt Three Phase, Modulating, Designed To Operate At 3200 CFM @ 1/2" - 1 HP. Power Exhaust Painted To Match RTU, All Necessary Panels And Hardware Included. .Electrical junction box provided. High voltage cable to be field supplied and installed.



MicroMetl Corporation certifies that the models GR1 and NS1 shown herein is licensed to bear the AMCA Seal. The ratings shown are based on tests and procedures performed in accordance with AMCA Publication 511 and comply with requirements of the AMCA Certified Ratings Programs. The AMCA Certified Ratings Seal applies to Air Leakage and Air Performance ratings.



Front View



Side View

The Information contained in this drawing is the sole property of Micrometl Corporation. Any reproduction in part or whole without the written permission of Micrometl Corporation is prohibited.

Indianapolis_3035 N. Shadeland Ave., Indianapolis, IN 46226_800.MMC.HVAC • Sparks_905 Southern Way, Sparks, NV 89431_800.884.4MMC • Longview_201 Kodak Blvd., Longview, TX 75602_903.248.4800



MicroMetl

Date:
3/7/2019

Weights:
366lbs/166.02kg

Units:

Part Number:
PECE-PRCCECA-DYDB-2M1R

Submitted To: rddejohn@trane.com

Job:

Notes:

Economizer & Power Exhaust Combination Package, Ultra Low Leak Horizontal with Belimo Zip - ReliaTel Bypass - No VAV Or Zone Sensors, Belimo Actuator, Adjustable Dry Bulb Sensor, 208-230 Volt Three Phase, Modulating, Designed To Operate At 3200 CFM @ 1/2" - 1 HP. Power Exhaust Painted To Match RTU, All Necessary Panels And Hardware Included. .Electrical junction box provided. High voltage cable to be field supplied and installed.

Compliant Economizer:

- Title 24:** Economizers meet California Energy Commission Title 24-2013 / 2016 prescriptive section 140.4 (damper leakage etc.), and mandatory section 120.2.i for Fault Detection and Diagnostic controls (Zip Economizer BZE1245).
- ASHRAE 90.1:** Economizers meet ASHRAE 90.1-2013 / 2016 damper leakage requirements as stated in Table 6.4.3.4.3., and meet 2016 Fault Detection and Diagnosis requirements in section 6.4.3.12.
- IECC:** Economizers meet IECC 2012 section C402.4.5.2 and, IECC 2015 sections C403.2.4.3 and C403.3.3.5 for outside air, return air, and relief damper (when provided) leakage requirements, and IECC 2015 section C403.2.4.7 for Fault Detection and Diagnostic requirements. Note: IECC 2015 section C403.2.4.7.1 requires differential return air sensor, which must be ordered separately.
- AMCA:** Outside air and return air (volume) dampers are AMCA Class 1A rated at 1" w.g. Refer to MicroMetl WS1 catalog sheet on web site for details. Relief air dampers (when provided) are also AMCA rated. Refer to GR1 series catalog sheet on web site for details.

Features:

- Includes ECE-PRCCECA Series Economizer. See economizer submittal for economizer details.
- Designed specifically for horizontal discharge applications.
- Factory assembled rainhood, with aluminum water entrainment filters, in the outside air portion of the hood.
- Uses standard filter access door shipped with HVAC unit.
- Rainhoods are sloped for water run-off.



MicroMetl Corporation certifies that the models GR1 and NS1 shown herein are licensed to bear the AMCA Seal. The ratings shown are based on tests and procedures performed in accordance with AMCA Publication 511 and comply with requirements of the AMCA Certified Ratings Programs. The AMCA Certified Ratings Seal applies to Air Leakage and Air Performance ratings.



*R - Reliatel™ Bypass (works independent of Reliatel™)

Logic wiring is field supplied and installed between the commercial 2 stage Thermostat and LVTB.

The Information contained in this drawing is the sole property of Micrometl Corporation. Any reproduction in part or whole without the written permission of Micrometl Corporation is prohibited.

**MicroMetl**Date:
3/7/2019Weights:
366lbs/166.02kg

Units:

Part Number:
PECE-PRCCECA-DYDB-2M1R

Submitted To: rddejohn@trane.com

Job:

Notes:

Economizer & Power Exhaust Combination Package, Ultra Low Leak Horizontal with Belimo Zip - ReliaTel Bypass - No VAV Or Zone Sensors, Belimo Actuator, Adjustable Dry Bulb Sensor, 208-230 Volt Three Phase, Modulating, Designed To Operate At 3200 CFM @ 1/2" - 1 HP. Power Exhaust Painted To Match RTU, All Necessary Panels And Hardware Included. .Electrical junction box provided. High voltage cable to be field supplied and installed.

- Series Low Static Power Exhaust Configurations and Electrical Data

Suffix	Voltage	Phase	Description	HP	FLA	MCA	MOCP	Internally Provided Fuses
2VH	208-230	3	Constant Volume	0.5	2.3-2.2	2.9-2.8	5.2-5.0	N/A
2MH	208-240	3	Modulating	0.5	3.1-2.7*	3.9-3.4	7.0-6.1	10 Amp
4VH	460	3	Constant Volume	0.5	1.1	1.4	2.5	N/A
4MH	460	3	Modulating	0.5	1.4*	1.8	3.2	10 Amp

- Series Medium Static Power Exhaust Configurations and Electrical Data

Suffix	Voltage	Phase	Description	HP	FLA	MCA	MOCP	Internally Provided Fuses
2V1	208-230	3	Constant Volume	1.0	3.8-3.6	4.8-4.5	8.6-8.1	N/A
2M1	208-240	3	Modulating	1.0	5.8-5.1*	7.3-6.4	13.1-11.5	10 Amp
4V1	460	3	Constant Volume	1.0	1.9	2.4	4.3	N/A
4M1	460	3	Modulating	1.0	2.5*	3.1	5.6	10 Amp

- Series High Static Power Exhaust Configurations and Electrical Data

Suffix	Voltage	Phase	Description	HP	FLA	MCA	MOCP	Internally Provided Fuses
2V2	208-230	3	Constant Volume	2.0	5.6-5.4	7.0-6.8	12.6-12.2	N/A
2M2	208-240	3	Modulating	2.0	9.1-7.9*	11.4-9.9	20.5-17.8	15 Amp
4V2	460	3	Constant Volume	2.0	2.7	3.4	6.1	N/A
4M2	460	3	Modulating	2.0	4.0*	5	9.0	10 Amp

- Series Ultra High Static Power Exhaust Configurations and Electrical Data

Suffix	Voltage	Phase	Description	HP	FLA	MCA	MOCP	Internally Provide Fuses
2V3	208-230	3	Constant Volume	3.0	9.2-8.6	11.5-10.8	20.7-19.4	N/A
2M3	208-240	3	Modulating	3.0	12.4-10.8*	15.5-13.5	27.9-24.3	20 Amp
4V3	460	3	Constant Volume	3.0	4.3	5.4	9.7	N/A
4M3	460	3	Modulating	3.0	5.4*	6.8	12.2	10 Amp

***VFD Input Current**

The Information contained in this drawing is the sole property of Micrometl Corporation. Any reproduction in part or whole without the written permission of Micrometl Corporation is prohibited.

Indianapolis_3035 N. Shadeland Ave., Indianapolis, IN 46226_800.MMC.HVAC • Sparks_905 Southern Way, Sparks, NV 89431_800.884.4MMC • Longview_201 Kodak Blvd., Longview, TX 75602_903.248.4800



MicroMetl

Date:
3/7/2019

Weights:
366lbs/166.02kg

Units:

Part Number:
PECE-PRCCECA-DYDB-2M1R

Submitted To: rddejohn@trane.com

Job:

Notes:

Economizer & Power Exhaust Combination Package, Ultra Low Leak Horizontal with Belimo Zip - ReliaTel Bypass - No VAV Or Zone Sensors, Belimo Actuator, Adjustable Dry Bulb Sensor, 208-230 Volt Three Phase, Modulating, Designed To Operate At 3200 CFM @ 1/2" - 1 HP. Power Exhaust Painted To Match RTU, All Necessary Panels And Hardware Included. .Electrical junction box provided. High voltage cable to be field supplied and installed.

Compliant Economizer:

1. **Title 24:** Economizers meet California Energy Commission Title 24-2013 / 2016 prescriptive section 140.4 (damper leakage etc.), and mandatory section 120.2.i for Fault Detection and Diagnostic controls (JADE HJW10).
2. **ASHRAE 90.1:** Economizers meet ASHRAE 90.1-2013 / 2016 damper leakage requirements as stated in Table 6.4.3.4.3., and meet 2016 Fault Detection and Diagnosis requirements in section 6.4.3.12.
3. **IECC:** Economizers meet IECC 2012 section C402.4.5.2 and, IECC 2015 sections C403.2.4.3 and C403.3.3.5 for outside air, return air, and relief damper (when provided) leakage requirements, and IECC 2015 section c403.2.4.7 for Fault Detection and Diagnostic requirements, Note: IECC 2015 section C403.2.4.7.1 requires differential return air sensor, which is included in some models (i.e. -DYXB) and must be ordered separately on others (i.e. -DYDB, -DYEB).
4. **AMCA:** Outside air and return air (volume) dampers are AMCA Class 1A rated 1" w.g. Refer to MicroMetl NS1 catalog sheet on web site for details. Relief air dampers (when provided) are also AMCA rated. Refer to GR1 series catalog sheet on web site for details.



MicroMetl Corporation certifies that the models GR1 and NS1 shown herein is licensed to bear the AMCA Seal. The ratings shown are based on tests and procedures performed in accordance with AMCA Publication 511 and comply with requirements of the AMCA Certified Ratings Programs. The AMCA Certified Ratings Seal applies to Air Leakage and Air Performance ratings.

The Information contained in this drawing is the sole property of Micrometl Corporation. Any reproduction in part or whole without the written permission of Micrometl Corporation is prohibited.



MicroMetl

Date:
3/7/2019

Weights:
366lbs/166.02kg

Units:

Part Number:
PECE-PRCCECA-DYDB-2M1R

Submitted To: rddejohn@trane.com

Job:

Notes:

Economizer & Power Exhaust Combination Package, Ultra Low Leak Horizontal with Belimo Zip - ReliaTel Bypass - No VAV Or Zone Sensors, Belimo Actuator, Adjustable Dry Bulb Sensor, 208-230 Volt Three Phase, Modulating, Designed To Operate At 3200 CFM @ 1/2" - 1 HP. Power Exhaust Painted To Match RTU, All Necessary Panels And Hardware Included. .Electrical junction box provided. High voltage cable to be field supplied and installed.

****Data provided by blower manufacturer**.**

"2 HP" Sound Data - Assumes .3125 Internal Exhaust Cabinet Static.												
CFM	ESP	RPM	Freq. (Hz)	63	125	250	500	1000	2000	4000	8000	Blower Outlet dBA @ 5ft.
4650	0.1	812	dBA	87	86	80	78	74	74	70	67	70
4550	.25	827		87	85	79	77	74	73	69	66	70
4525	.3	834		87	85	79	77	74	73	69	66	70
4450	.4	850		87	85	79	77	73	72	69	66	70
4400	.5	867		87	84	79	77	73	72	69	65	70
4350	.6	888		87	85	79	77	73	72	69	66	70
4250	.75	924		88	85	80	77	73	72	69	66	70

"3 HP" Sound Data - Assumes .3125 Internal Exhaust Cabinet Static.												
CFM	ESP	RPM	Freq. (Hz)	63	125	250	500	1000	2000	4000	8000	Blower Outlet dBA @ 5ft.
5400	0.1	922	dBA	90	90	85	82	77	77	74	71	74
5325	.25	934		90	90	85	81	77	77	73	70	74
5300	.3	938		90	90	85	81	77	77	73	70	74
5250	.4	946		89	90	84	81	76	76	73	70	74
5200	.5	957		89	90	84	81	76	76	73	69	74
5150	.6	971		89	89	84	81	76	76	73	69	74
5050	.75	993		89	89	84	81	76	75	72	69	74

The Information contained in this drawing is the sole property of Micrometl Corporation. Any reproduction in part or whole without the written permission of Micrometl Corporation is prohibited.

Indianapolis_3035 N. Shadeland Ave., Indianapolis, IN 46226_800.MMC.HVAC • Sparks_905 Southern Way, Sparks, NV 89431_800.884.4MMC • Longview_201 Kodak Blvd., Longview, TX 75602_903.248.4800