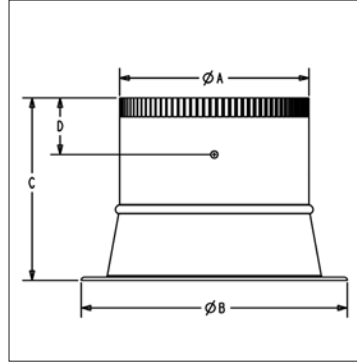


Product Data Sheet



Features

- Meets SMACNA 2005 3rd Edition Section 4.8 Figure 4-6
- Seam Welded- Adds strength and prevents air leakage
- Body- is made with one piece of metal and has 1" Flange
- Gasket - 1/8" x 1" Two Sided Neoprene Gasket
- MADE IN USA with USA Steel
- Union Made Yellow Label

Optional Construction

- All Volume Dampers for air control
- Elgen Super Standoff
- 1 - piece construction (min 20 GA)
- Scoop

- G90 Galvanized
- Stainless Steel 304
- Stainless Steel 316
- Aluminum
- PCD
- Galvanneal (Paint Grip)
- Agion (Antimicrobial Coating)

Description

Elgen's Conical is used for Low & Medium Pressure applications.

Standard Construction

- Collar- Formed using 24 GA ASTM A-653 G60 material
- Body- Formed using 24 GA ASTM A-653 G60 material
- 1/8" x 1" Two Sided Neoprene Gasket

A (in)	B (in)	C (in)	D (in)
4	8	9.75	3
5	9	9.75	3
6	10	9.75	3
7	11	9.75	3
8	12	9.75	3
9	13	9.75	3
10	14	9.75	3
12	16	9.75	3
14	18	10.5	3
16	20	10.5	3

Packaging

Size (in)	Tray Qty	Skid Qty	Weight per Skid (lbs)
4	MTO	MTO	N/A
5	MTO	MTO	N/A
6	9	210	350
7	MTO	MTO	N/A
8	9	112	250
9	MTO	MTO	N/A
10	9	84	240
12	9	63	200
14	9	42	160
16	9	35	155

Guarantee

All Elgen products are guaranteed by Elgen Manufacturing against defective material.

Elgen Manufacturing

10 Railroad Ave, Closter NJ 07624

Tel: 800.503.9805 :: Fax: 201.964.9030

info@elgenmfg.com :: www.elgenmfg.com