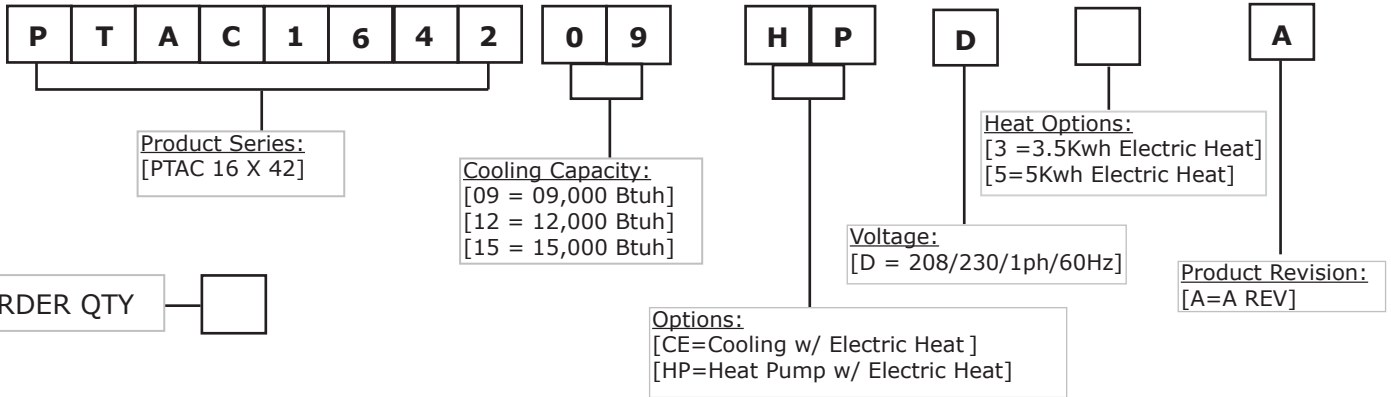


## Specifications & Submittal

### PTAC SERIES



FIELD INSTALLED ACCESSORIES		
Order QTY	Accessory	Part Number
	Wired Controller	17317100A01441
	Wall Sleeve PTAC 16x42	12020300A00011
	Aluminum Rear Grille	12020300A00080
	Louvered Grille	12020300A00061

PERFORMANCE DATA		
<b>Power Supply</b>	Ph-V-Hz	230/208V-,60Hz
<b>Cooling</b>		
Capacity	Btu/h	9000/8800
Input	Watts	796/778
Current	Amps	3.46/3.75
EER	Btu/w	11.3
<b>Heating (Heat Pump)</b>		
Capacity	Btu/h	8100/7900
Input	Watts	716/699
Current	Amps	3.04/3.28
COP	W/W	3.4
<b>Heating (Electric)</b>		
		3.5k      5k
Capacity	Btu/h	10900/8900      15000/12200
Input	Watts	3519/2850      4769/3953
Current	Amps	15.3/13.7      22/19.7
Minimum Circuit Ampacity	Amps	20      28



To: \_\_\_\_\_  
 Date: \_\_\_\_\_  
 From: \_\_\_\_\_  
 Contact: \_\_\_\_\_

Project: \_\_\_\_\_  
 Customer: \_\_\_\_\_  
 Location: \_\_\_\_\_  
 Engineer: \_\_\_\_\_  
 Unit Tag# \_\_\_\_\_

For Your:  Reference

Approval

## PTAC SERIES Technical DATA - Continued

### PERFORMANCE DATA - conti.

<b>Compressor &amp; Electrical</b>			
Type	Rotary		
Input	638/650		
Rated Current (RLA)	3.08/2.85		
Locked rotor Amp (LRA)	18		
Thermal Protector Position	External		
Connection Wiring	12AWGx3	12AWGx3	
Plug Type	LCDI 6-20P	LCDI 6-30P	
Thermostat Type	Unit Mounted Electronic Control		

### SYSTEM DATA

Design Pressure	PSIG	540/300
Refrigerant Type	oz	R410A/24.69ozs
Application Area (Cooling EPA)	sq.ft.	350-400
Application Area (Cooling Standard)	m <sup>2</sup>	12-18

### UNIT DIMENSION

Dimension (W*D*H) (without wall sleeve)	inch	42x21x16
Packing (W*D*H)	inch	45x25.4x19.3
Net/Gross Weight	Kg	48.5/60
	lbs	106.9/132.3

### INDOOR SIDE DATA

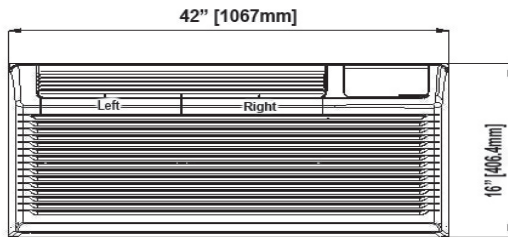
<b>Indoor Side Fan Motor</b>		
FLA / Output	Amps/Watts	0.155/21
Speed (Hi/Mi/Lo)	rpm	1110/1070/1040
<b>Air Flow &amp; Noise Level</b>		
Indoor Side Air flow (Hi/Mi/Lo)	m <sup>3</sup> /h	740/710/670
Indoor Side Air flow (Hi/Mi/Lo)	CFM	435/417/394
Indoor Side Noise Level (Hi/Mi/Lo)	dB(A)	50/48/46

### OUTDOOR SIDE DATA

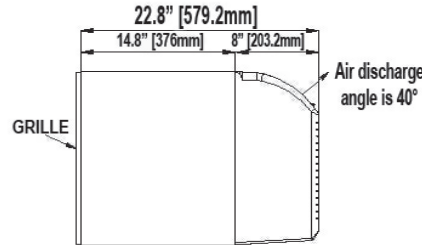
<b>Outdoor Side Fan Motor</b>		
FLA / Output	Amps/Watts	0.35/37
Speed	rpm	1400
<b>Air Flow &amp; Noise Level</b>		
Outdoor Side Noise Level	dB(A)	61

### OPERATION TEMPERATURE

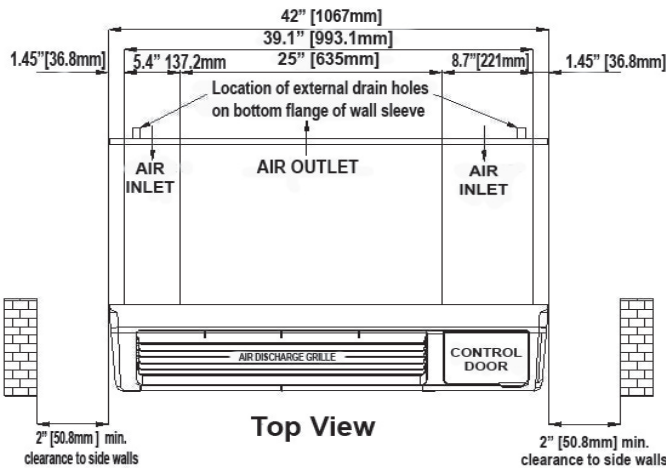
Indoor Cooling/Heating)	°C	17-32/0-27
	°F	62°F-90°F/32°F-80°F
Outdoor (Cooling/Heating)	°C	18-43/5-24
	°F	64°F-109°F/23°F-76°F



Front View



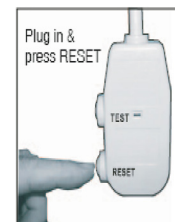
SIDE VIEW



Top View

Unit includes plug and cord:

Power Card			
Power Supply	230V,15A	230V,20A	230V,30A



NOTE: Some plugs have buttons on the top.

**NOTICE:** Due to ongoing product development; design, specification and performance data listed within this submittal document are subject to change without notice. For the most current unit/system performance data, please refer to the product literature on our website, [www.enviromaster.com](http://www.enviromaster.com), or consult the factory.