

## TECHNICAL SPECIFICATIONS

# FSH3BF Series

## Extra High Efficiency Heat Pump

### 15.2 SEER2 Residential System 2 - 5 Ton Capacity

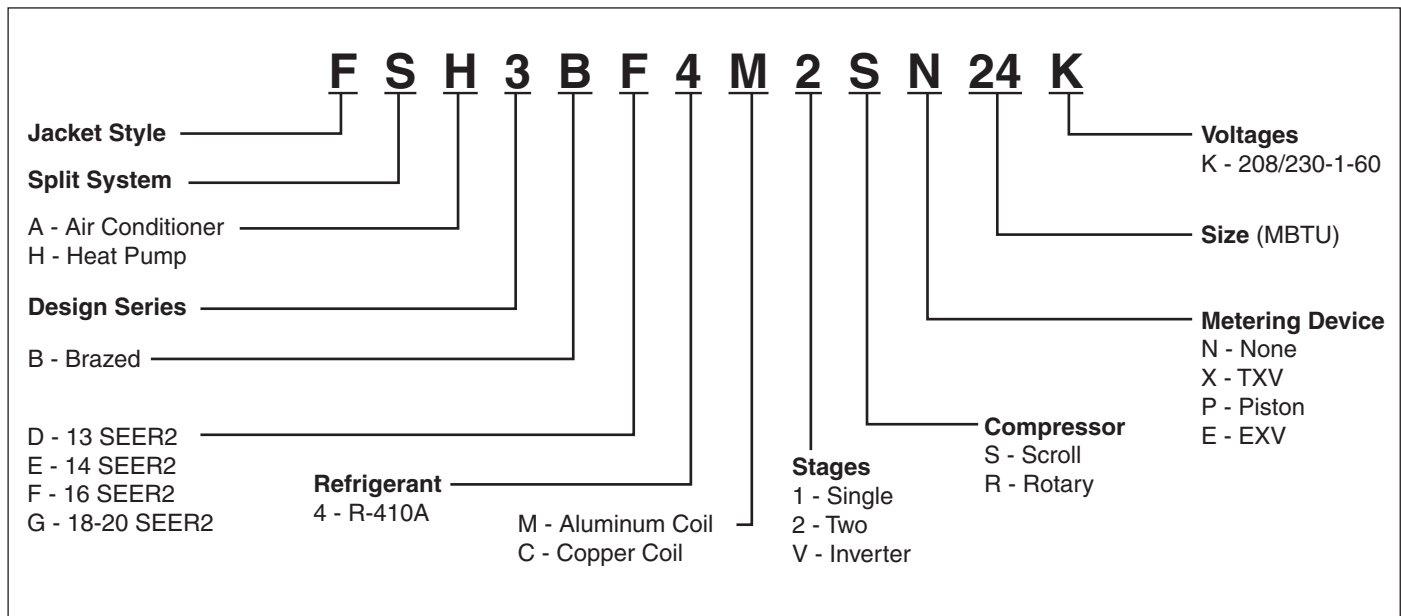
The FSH3BF Series of heat pumps offers exceptional performance as well as environmental protection. These models, when matched with our variable speed air handlers or variable speed equipped gas furnaces, offer a line of high quality heat pump systems rated up to 15.2 SEER2 and 7.8 HSPF.



## FEATURES and BENEFITS

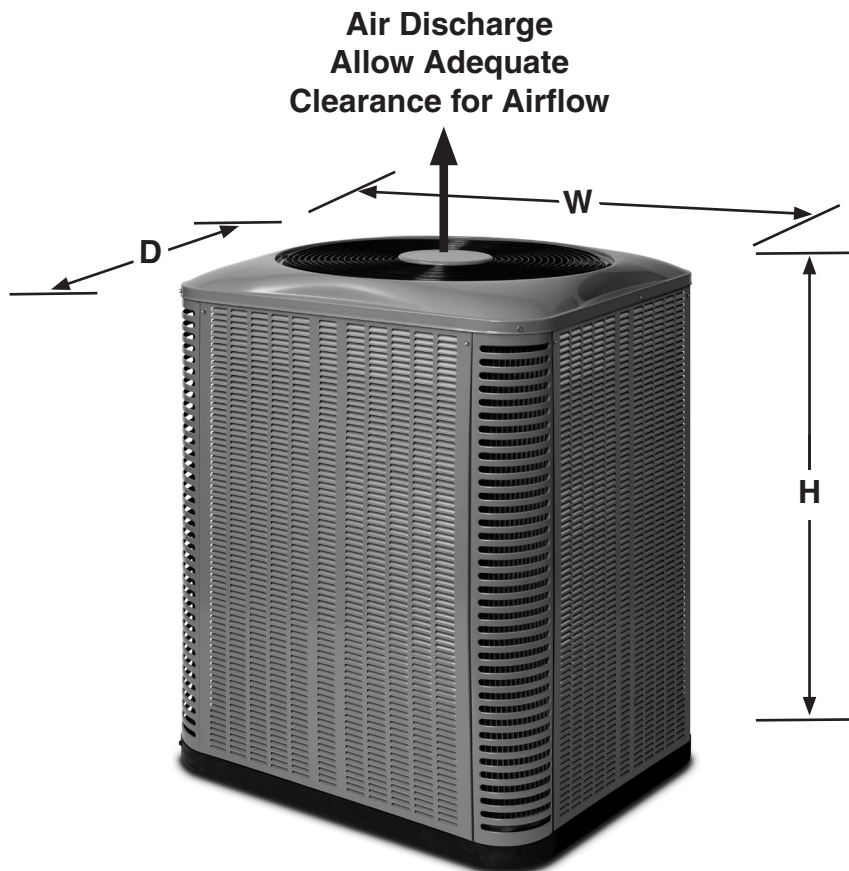
- **Copeland Scroll Two Stage Compressor:** The Two Stage Compressor operates at 2 different capacity points to provide superior comfort and efficiency. Copeland's proven and simple design equates to years of comfort and reliability for the homeowner with virtually silent operation.
- **Designed Using Galvanized Steel:** With powder-coated paint with a gloss finish that eliminates sharp edges and reduces scratching. It passes 950 hours of salt spray per ASTM Std. B117.
- **Composite Base Pan:** Absorbs sound and is corrosion resistant. Composite is also stronger and lighter than steel.
- **Aluminum Coils:** All aluminum coils in all models which provides high corrosion resistance.
- **Demand Defrost:** Provides additional energy savings in heating by defrosting only when necessary
- **Removable Top Grille Assembly:** Allows ease of service from the top without disconnecting fan motor leads.
- **Compressor Sound Blanket:** Engineered to significantly reduce unwanted compressor noise.
- **Swept-Wing Fan Blade:** Designed to significantly reduce unwanted noise.
- **Low Pressure Switch:** Loss of charge protection ensures long compressor life. Auto-reset feature prevents nuisance service visits.
- **High Pressure Switch:** Protects against abnormally high system pressures. Auto-reset feature prevents nuisance service visits.
- **Liquid Line Filter Drier:** Included with unit, field installed.
- **One Piece Top/Orifice:** Designed for maximum airflow and quiet operation.
- **Common Suction Service Port:** This port allows the contractor to read the suction pressure in all modes of operation without removing any panels, saving time and increasing serviceability.
- **Five Minute Restart Time Delay:** When the unit shuts down, a five minute delay keeps the unit from restarting, eliminating the highest cause for compressor failure.
- **Suction Accumulator:** Protection from liquid flood back and future compressor failures.
- **Hot Gas Muffler:** Reduces compressor noise and vibration.
- **Easy Compressor and Control Access:** Designed to make servicing easier for the contractor, access panels are provided to all controls and the compressor from the side of the unit.
- **Service-Friendly Jacket:** Side panels can be easily removed and replaced without removing the top grill.

# MODEL IDENTIFICATION CODES



## DIMENSIONS HEAT PUMP OUTDOOR SECTION

FSH3BF	24K	36K	48K	60K
H	37.00	45.00	45.00	45.00
W	31.50	31.50	31.50	31.50
D	31.50	31.50	31.50	31.50



# PHYSICAL AND ELECTRICAL SPECIFICATIONS / OUTDOOR UNITS

## 15.2 SEER2 — Extra High Efficiency — Single Phase

Model Number FSH3BF		24K	36K	48K	60K
Electrical Data	Volts-Cycles-Phase (1)	208/230-60-1			
	Delay Fuse Max. (2)	25	30	45	50
	Min. Circuit Ampacity	14.5	18.9	27.9	32.0
	Locked Rotor Amp	61.0	84.2	122.1	151.0
	Fan Motor HP	1/8	1/4	1/3	1/3
Refrigerant suction line O.D. NOTE: Liquid line is 3/8" O.D. for entire length."	0-24 ft.	3/4	7/8	7/8	7/8
	25-39 ft.	3/4	7/8	7/8	7/8
	40-75 ft.	3/4	7/8	7/8	1-1/8
Approximate Weight (lbs.)	Ship	193	221	253	254
Sound Ratings db		73.0	75.0	76	77

(1) Operating voltage range: 187v minimum - 253v maximum.

(2) HACR type circuit breakers may be used.

(3) Requires 7/8" to 3/4" reducer from line to unit.

(4) Requires 1-1/8" to 7/8" reducer from line to unit..

## SYSTEM HEATING AND COOLING CAPACITIES

### 15.2 SEER2 — Extra High Efficiency — Single Phase

Outdoor Unit	Indoor Unit	Capacity 95°F	SEER2	EER2	HSPF	CFM
FSH3BF4M2SX24K	B64VMMX24K-B	23,600	15.2	11.7	7.8	860
FSH3BF4M2SX36K	B64VMMX36K-B	35,600	15.2	11.7	7.8	1230
FSH3BF4M2SX48K	B64VMMX48K-C	46,000	15.2	11.7	7.8	1550
FSH3BF4M2SX60K	B64VMMX60K-C	56,000	15.2	11.7	7.8	1950

See current AHRI Directory for certified combinations and ratings.

[www.ahridirectory.org](http://www.ahridirectory.org)

## ACCESSORIES - Condensing Unit

### Start Assist Kit - 912933

Provides additional starting torque for the compressor motor when operating with low line voltage or high operating temperatures.

**High Wind Tie-Down Kits** - <http://miamitech.com/products/metal/cutdnortek.html>

### Low Ambient Kit - 918837

### Cantilever Mounting Kit - 1018671

Four mounting corner post/panel split system design to cantilever mounts.

# COOLING EXPANDED RATINGS WITH VARIABLE SPEED AIR HANDLER

## FSH3BF4M2SX24K + B64VMMX24K-B HIGH SPEED

CFM	O.D.T	I.W.B	65°F			75°F			85°F			95°F			105°F			115°F		
	E.D.B.	E.W.B.	T.C.	S.C.	K.W.	T.C.	S.C.	K.W.	T.C.	S.C.	K.W.	T.C.	S.C.	K.W.	T.C.	S.C.	K.W.	T.C.	S.C.	K.W.
770	80	62	24.2	21.4	1.21	23.5	21.1	1.38	22.6	20.5	1.55	21.7	20.2	1.76	20.4	19.6	2.04	19.1	18.7	2.37
	80	67	26.4	18.0	1.21	25.5	17.6	1.38	24.5	17.2	1.55	23.4	16.7	1.74	22.3	16.3	1.95	21.0	15.7	2.20
	80	72	28.7	14.6	1.20	27.7	14.2	1.37	26.5	13.7	1.55	25.3	13.2	1.74	23.9	12.7	1.95	22.5	12.2	2.18
	75	62	24.1	18.1	1.21	23.4	17.7	1.38	22.5	17.3	1.55	21.6	16.9	1.76	20.3	16.4	2.04	18.9	15.7	2.38
	75	67	26.3	14.7	1.21	25.4	14.3	1.38	24.4	13.9	1.55	23.3	13.4	1.74	22.2	13.0	1.95	20.9	12.4	2.20
810	80	62	24.4	21.8	1.22	23.6	21.7	1.39	22.8	21.1	1.56	21.8	20.7	1.77	20.5	20.0	2.05	19.3	19.2	2.39
	80	67	26.6	18.3	1.22	25.7	18.0	1.39	24.7	17.5	1.56	23.6	17.1	1.75	22.4	16.6	1.96	21.1	16.1	2.21
	80	72	28.9	14.8	1.21	27.9	14.4	1.38	26.7	13.9	1.56	25.4	13.5	1.75	24.1	12.9	1.96	22.6	12.4	2.19
	75	62	24.3	18.5	1.22	23.5	18.0	1.39	22.7	17.7	1.56	21.7	17.3	1.77	20.4	16.6	2.05	19.0	16.0	2.39
	75	67	26.5	14.9	1.22	25.6	14.5	1.39	24.5	14.1	1.56	23.5	13.6	1.75	22.3	13.1	1.96	20.8	12.5	2.21
860	80	62	24.6	22.4	1.24	23.8	22.3	1.40	22.9	21.8	1.58	22.0	21.3	1.78	20.7	20.4	2.06	19.5	19.5	2.40
	80	67	26.8	18.8	1.23	25.9	18.4	1.40	24.8	17.9	1.58	23.7	17.5	1.77	22.6	17.0	1.98	21.2	16.5	2.23
	80	72	29.2	15.1	1.23	28.1	14.7	1.40	26.9	14.2	1.58	25.6	13.7	1.77	24.2	13.2	1.98	22.8	12.7	2.21
	75	62	24.5	18.8	1.24	23.7	18.5	1.41	22.9	18.2	1.58	21.9	17.8	1.78	20.6	17.2	2.07	19.2	16.4	2.41
	75	67	26.7	15.2	1.23	25.8	14.8	1.40	24.7	14.4	1.58	23.6	13.9	1.77	22.5	13.4	1.98	21.0	12.8	2.22

## FSH3BF4M2SX24K + B64VMMX24K-B LOW SPEED

CFM	O.D.T	I.W.B	65°F			75°F			85°F			95°F			105°F			115°F		
	E.D.B.	E.W.B.	T.C.	S.C.	K.W.	T.C.	S.C.	K.W.	T.C.	S.C.	K.W.	T.C.	S.C.	K.W.	T.C.	S.C.	K.W.	T.C.	S.C.	K.W.
510	80	62	17.9	15.6	0.76	17.0	15.0	0.90	16.3	14.8	1.07	15.4	14.3	1.29	14.4	13.8	1.55	13.1	13.1	1.86
	80	67	19.5	13.1	0.74	18.6	12.7	0.88	17.8	12.4	1.03	17.0	12.1	1.20	16.0	11.6	1.41	14.8	11.0	1.66
	80	72	21.2	10.7	0.73	20.3	10.4	0.86	19.4	10.0	1.01	18.5	9.7	1.17	17.5	9.3	1.35	16.4	8.8	1.55
	75	62	17.8	13.2	0.77	17.0	12.7	0.91	16.2	12.4	1.07	15.3	12.0	1.29	14.3	11.5	1.56	13.0	11.0	1.87
	75	67	19.4	10.8	0.74	18.5	10.4	0.89	17.7	10.0	1.03	16.9	9.7	1.20	15.9	9.3	1.41	14.7	8.8	1.66
540	80	62	18.0	16.0	0.77	17.3	15.4	0.90	16.5	15.0	1.07	15.6	14.8	1.29	14.5	14.2	1.55	13.4	13.4	1.86
	80	67	19.7	13.4	0.75	18.8	13.0	0.88	18.0	12.7	1.03	17.2	12.4	1.20	16.2	11.9	1.41	14.9	11.3	1.66
	80	72	21.4	10.9	0.73	20.5	10.6	0.86	19.6	10.2	1.01	18.7	9.9	1.17	17.6	9.5	1.35	16.5	9.0	1.55
	75	62	18.0	13.5	0.76	17.2	13.0	0.91	16.4	12.8	1.07	15.5	12.3	1.29	14.4	11.8	1.56	13.1	11.3	1.87
	75	67	19.6	11.0	0.75	18.7	10.6	0.89	17.9	10.2	1.03	17.1	9.9	1.20	16.1	9.5	1.41	14.9	9.0	1.66
570	80	62	18.2	16.4	0.77	17.4	15.9	0.91	16.6	15.6	1.07	15.7	15.2	1.29	14.7	14.5	1.55	13.6	13.6	1.85
	80	67	19.9	13.7	0.75	19.0	13.3	0.89	18.2	13.0	1.03	17.3	12.7	1.20	16.3	12.1	1.41	15.0	11.6	1.66
	80	72	21.6	11.1	0.73	20.7	10.8	0.86	19.8	10.4	1.01	18.8	10.0	1.17	17.8	9.6	1.35	16.6	9.2	1.55
	75	62	18.2	13.8	0.76	17.3	13.4	0.91	16.6	13.0	1.07	15.6	12.5	1.29	14.6	12.2	1.56	13.2	11.6	1.87
	75	67	19.8	11.2	0.75	18.9	10.8	0.89	18.1	10.5	1.04	17.3	10.1	1.20	16.3	9.7	1.41	15.0	9.1	1.66

## FSH3BF4M2SX36K + B64VMMX36K-B HIGH SPEED

CFM	O.D.T	I.W.B	65°F			75°F			85°F			95°F			105°F			115°F		
	E.D.B.	E.W.B.	T.C.	S.C.	K.W.	T.C.	S.C.	K.W.	T.C.	S.C.	K.W.	T.C.	S.C.	K.W.	T.C.	S.C.	K.W.	T.C.	S.C.	K.W.
1120	80	62	36.7	31.9	2.08	35.4	31.4	2.25	33.8	30.6	2.50	32.0	29.9	2.75	30.2	29.0	3.03	28.3	27.7	3.36
	80	67	40.2	26.8	2.10	38.6	26.1	2.30	36.9	25.5	2.52	35.1	24.8	2.77	33.3	23.9	3.06	31.1	23.1	3.40
	80	72	43.6	21.6	2.10	41.7	20.9	2.32	40.0	20.3	2.54	38.1	19.5	2.79	36.1	18.7	3.09	34.0	17.9	3.42
	75	62	36.9	27.1	2.05	35.3	26.4	2.26	33.8	25.7	2.47	31.9	24.8	2.74	30.1	24.0	3.03	28.2	23.1	3.36
	75	67	40.2	22.0	2.10	38.5	21.2	2.30	36.8	20.5	2.52	35.0	19.7	2.77	33.1	19.0	3.06	31.1	18.1	3.39
1175	80	62	37.3	32.7	2.08	35.6	32.0	2.29	33.9	31.3	2.52	32.2	30.5	2.77	30.4	29.5	3.05	28.6	28.6	3.39
	80	67	40.6	27.4	2.11	38.8	26.6	2.32	37.1	25.8	2.55	35.4	25.0	2.80	33.4	24.4	3.09	31.3	23.5	3.42
	80	72	43.8	21.9	2.13	42.0	21.2	2.35	40.2	20.5	2.57	38.3	19.7	2.82	36.3	19.0	3.11	34.1	18.2	3.45
	75	62	37.1	27.6	2.08	35.6	26.9	2.28	33.8	26.1	2.52	32.1	25.3	2.77	30.3	24.4	3.05	28.3	23.6	3.38
	75	67	40.5	22.2	2.11	38.7	21.5	2.32	37.0	20.8	2.55	35.2	20.0	2.80	33.3	19.2	3.09	31.2	18.3	3.42
1220	80	62	37.4	33.3	2.10	35.9	32.6	2.30	34.1	31.8	2.54	32.3	31.0	2.79	30.5	29.6	3.08	28.8	28.8	3.41
	80	67	40.7	27.6	2.15	39.0	27.1	2.35	37.3	26.1	2.57	35.5	25.5	2.82	33.5	24.7	3.11	31.4	23.9	3.45
	80	72	43.9	22.0	2.17	42.2	21.4	2.37	40.4	20.7	2.59	38.5	20.0	2.84	36.4	19.2	3.13	34.2	18.4	3.47
	75	62	37.3	27.9	2.11	35.7	27.3	2.30	34.0	26.5	2.54	32.3	25.8	2.80	30.4	24.7	3.08	28.4	23.9	3.41
	75	67	40.7	22.5	2.13	38.9	21.8	2.35	37.1	21.0	2.57	35.4	20.2	2.82	33.4	19.4	3.11	31.3	18.5	3.44

## FSH3BF4M2SX36K + B64VMMX36K-B LOW SPEED

CFM	O.D.T	I.W.B	65°F			75°F			85°F			95°F			105°F			115°F		
	E.D.B.	E.W.B.	T.C.	S.C.	K.W.	T.C.	S.C.	K.W.	T.C.	S.C.	K.W.	T.C.	S.C.	K.W.	T.C.	S.C.	K.W.	T.C.	S.C.	K.W.
755	80	62	26.5	23.0	1.26	25.2	22.5	1.43	24.0	21.9	1.63	22.7	21.3	1.85	21.4	20.7	2.10	19.9	19.9	2.37
	80	67	29.0	19.4	1.24	27.7	18.8	1.41	26.5	18.3	1.61	25.1	17.8	1.84	23.7	17.2	2.09	22.1	16.5	2.37
	80	72	31.5	15.7	1.21	30.1	15.2	1.39	28.8	14.7	1.59	27.5	14.2	1.82	26.0	13.6	2.07	24.4	13.0	2.35
	75	62	26.4	19.5	1.26	25.2	19.0	1.43	23.9	18.4	1.63	22.7	17.8	1.86	21.3	17.2	2.10	19.8	16.5	2.38
	75	67	28.9	15.9	1.24	27.6	15.4	1.41	26.3	14.8	1.62	25.1	14.3	1.84	23.6	13.7	2.09	22.0	13.0	2.37
790	80	62	26.7	23.5	1.26	25.4	22.9	1.44	24.2	22.4	1.64	22.9	21.9	1.86	21.6	21.2	2.10	20.2	20.2	2.38
	80	67	29.3	19.7	1.24	28.0	19.2	1.42	26.7	18.7	1.62	25.3	18.2	1.84	23.9	17.6	2.09	22.2	16.9	2.37
	80	72	31.7	15.9	1.22	30.4	15.4	1.39	29.1	15.0	1.59	27.7	14.4	1.82	26.2	13.8	2.08	24.5	13.2	2.36
	75	62	26.6	19.9	1.26	25.4	19.3	1.44	24.0	18.6	1.66	22.8	18.1	1.86	21.5	17.6	2.11	19.9	16.9	2.38
	75	67	29.1	16.1	1.25	27.9	15.6	1.41	26.6	15.0	1.62	25.3	14.5	1.85	23.8	13.9	2.10	22.2	13.2	2.37
810	80	62	26.8	23.8	1.26	25.5	23.2	1.44	24.3	22.7	1.64	23.0	22.1	1.86	21.7	21.4	2.11	20.3	20.3	2.38
	80	67	29.4	19.9	1.25	28.1	19.4	1.42	26.8	18.9	1.62	25.4	18.4	1.85	23.9	17.8	2.10	22.3	17.1	2.38
	80	72	31.9	16.0	1.22	30.5	15.6	1.40	29.2	15.1	1.60	27.8	14.5	1.83	26.3	13.9	2.08	24.6	13.3	2.36
	75	62	26.7	20.1	1.26	25.5	19.5	1.44	24.2	18.9	1.64	22.9	18.4	1.86	21.6	17.8	2.11	20.0	17.1	2.39
	75	67	29.3	16.3	1.24															

# COOLING EXPANDED RATINGS WITH VARIABLE SPEED AIR HANDLER (CONT.)

**FSH3BF4M2SX48K + B64VMMX48K-C HIGH SPEED**

CFM	O.D.T	I.W.B	65°F			75°F			85°F			95°F			105°F			115°F		
	E.D.B.	E.W.B.	T.C.	S.C.	K.W.	T.C.	S.C.	K.W.	T.C.	S.C.	K.W.	T.C.	S.C.	K.W.	T.C.	S.C.	K.W.	T.C.	S.C.	K.W.
1415	80	62	48.1	40.2	3.13	45.8	38.9	3.41	43.6	37.9	3.74	41.3	36.9	4.11	38.8	35.8	4.53	36.2	34.6	5.02
	80	67	51.9	33.2	3.13	49.4	32.1	3.41	46.8	31.0	3.74	44.1	29.8	4.10	41.8	28.7	4.50	39.2	27.5	4.94
	80	72	58.4	27.5	3.34	55.9	26.4	3.62	53.4	25.4	3.95	50.6	24.4	4.35	47.5	23.2	4.83	44.4	21.9	5.38
	75	62	47.9	33.8	3.13	45.7	32.8	3.41	43.4	31.7	3.74	41.1	30.6	4.10	38.7	29.5	4.53	36.1	28.3	5.02
	75	67	51.6	27.0	3.13	49.2	25.9	3.41	46.6	24.8	3.74	44.0	23.7	4.10	41.3	22.5	4.49	39.0	21.5	4.94
1510	80	62	49.6	42.4	3.03	47.3	40.9	3.31	45.0	40.2	3.64	42.6	39.1	4.00	40.2	38.0	4.43	37.5	36.5	4.91
	80	67	53.4	35.0	3.03	50.9	33.9	3.31	48.3	32.9	3.64	45.5	31.6	4.00	43.1	30.5	4.39	40.5	29.2	4.84
	80	72	60.1	29.0	3.23	57.6	28.0	3.51	54.9	27.0	3.85	52.0	25.8	4.25	49.0	24.6	4.72	45.8	23.3	5.27
	75	62	49.5	35.8	3.02	47.2	34.7	3.31	44.9	33.6	3.63	42.6	32.5	4.00	40.1	31.4	4.43	37.3	30.1	4.92
	75	67	53.2	28.5	3.03	50.7	27.4	3.31	48.0	26.3	3.63	45.4	25.3	4.00	42.6	23.9	4.39	40.3	22.9	4.84
1600	80	62	51.1	44.2	2.77	48.7	43.5	3.05	46.4	42.4	3.37	44.0	41.2	3.74	41.5	40.0	4.17	38.8	38.6	4.66
	80	67	54.9	36.8	2.77	52.4	35.7	3.05	49.7	34.7	3.37	46.9	33.4	3.74	44.4	32.2	4.13	41.8	31.0	4.58
	80	72	61.7	30.5	2.97	59.1	29.5	3.25	56.3	28.4	3.59	53.5	27.2	3.99	50.4	26.0	4.45	47.2	24.8	5.01
	75	62	51.0	37.6	2.76	48.7	36.5	3.05	46.3	35.4	3.37	43.9	34.4	3.74	41.4	33.2	4.16	38.6	31.9	4.65
	75	67	54.7	30.0	2.77	52.1	28.9	3.05	49.4	27.8	3.37	46.7	26.6	3.74	44.0	25.4	4.13	41.6	24.3	4.58

**FSH3BF4M2SX48K + B64VMMX48K-C LOW SPEED**

CFM	O.D.T	I.W.B	65°F			75°F			85°F			95°F			105°F			115°F		
	E.D.B.	E.W.B.	T.C.	S.C.	K.W.	T.C.	S.C.	K.W.	T.C.	S.C.	K.W.	T.C.	S.C.	K.W.	T.C.	S.C.	K.W.	T.C.	S.C.	K.W.
945	80	62	34.4	29.1	1.75	32.4	28.1	1.99	30.5	27.3	2.26	28.4	26.4	2.57	26.1	25.3	2.90	23.9	23.9	3.27
	80	67	38.2	24.8	1.74	36.3	23.9	1.99	34.3	23.1	2.27	31.9	22.1	2.57	29.4	21.1	2.90	26.7	19.6	3.27
	80	72	41.5	20.2	1.71	39.4	19.3	1.95	37.2	18.5	2.23	34.8	17.6	2.54	32.3	16.6	2.87	29.5	15.4	3.24
	75	62	34.3	24.8	1.75	32.4	23.8	1.99	30.4	22.9	2.26	28.3	21.9	2.57	26.1	20.9	2.90	23.6	19.8	3.27
	75	67	38.1	20.4	1.74	36.3	19.7	1.99	34.2	18.7	2.27	31.8	17.7	2.57	29.3	16.6	2.90	26.6	15.5	3.27
1010	80	62	35.1	30.4	1.69	33.1	29.4	1.94	31.1	28.5	2.21	29.0	27.6	2.51	26.7	26.2	2.85	24.6	24.6	3.22
	80	67	39.0	25.7	1.68	37.0	24.8	1.93	34.9	24.0	2.21	32.5	23.1	2.52	30.0	22.0	2.85	27.2	20.5	3.21
	80	72	42.2	20.8	1.65	40.1	20.0	1.90	37.9	19.1	2.17	35.5	18.2	2.48	32.8	17.1	2.82	30.0	16.0	3.19
	75	62	35.0	25.7	1.69	33.1	24.8	1.94	31.1	23.8	2.21	28.9	22.8	2.52	26.5	21.8	2.85	24.0	20.6	3.22
	75	67	38.9	21.1	1.69	37.0	20.3	1.94	34.8	19.4	2.21	32.5	18.4	2.52	29.8	17.2	2.85	27.1	16.1	3.22
1070	80	62	35.8	31.5	1.61	33.8	30.6	1.85	31.8	29.8	2.13	29.6	28.7	2.43	27.4	27.4	2.76	25.3	25.3	3.13
	80	67	39.7	26.6	1.60	37.8	25.7	1.85	35.6	25.0	2.13	33.2	24.0	2.43	30.6	22.8	2.77	27.8	21.3	3.13
	80	72	43.0	21.5	1.57	40.8	20.7	1.81	38.6	19.9	2.09	36.1	18.9	2.40	33.5	17.8	2.73	30.5	16.7	3.11
	75	62	35.7	26.7	1.61	33.7	25.7	1.85	31.7	24.8	2.12	29.5	23.8	2.43	27.1	22.8	2.77	24.5	21.5	3.13
	75	67	39.7	21.9	1.60	37.6	21.0	1.85	35.5	20.1	2.13	33.1	19.2	2.43	30.5	17.9	2.77	27.6	16.7	3.13

**FSH3BF4M2SX60K + B64VMMX60K-C HIGH SPEED**

CFM	O.D.T	I.W.B	65°F			75°F			85°F			95°F			105°F			115°F		
	E.D.B.	E.W.B.	T.C.	S.C.	K.W.	T.C.	S.C.	K.W.	T.C.	S.C.	K.W.	T.C.	S.C.	K.W.	T.C.	S.C.	K.W.	T.C.	S.C.	K.W.
1775	80	62	60.3	52.3	4.01	57.7	51.0	4.42	55.0	49.3	4.87	52.1	48.4	5.38	49.1	47.0	5.98	45.9	45.1	6.69
	80	67	64.9	43.3	3.70	61.9	41.9	4.06	59.0	40.5	4.44	56.4	39.4	4.89	54.0	38.5	5.39	50.8	37.3	6.08
	80	72	71.4	35.2	4.04	68.6	34.0	4.45	65.2	32.7	4.89	62.3	31.6	5.42	58.9	30.3	6.02	55.1	28.7	6.72
	75	62	60.0	43.7	4.02	57.6	42.8	4.42	54.9	41.7	4.87	52.0	40.2	5.39	48.9	38.8	6.00	45.5	36.5	6.73
	75	67	64.7	35.2	3.69	61.6	33.9	4.05	58.8	32.7	4.44	56.3	31.6	4.88	53.7	30.5	5.39	50.6	29.2	6.07
1875	80	62	60.7	53.3	4.07	58.0	51.2	4.49	55.4	51.1	4.92	52.5	49.8	5.44	49.3	48.2	6.04	46.2	46.2	6.75
	80	67	65.4	44.1	3.76	62.2	42.7	4.12	59.4	41.6	4.51	56.7	40.4	4.95	54.2	39.3	5.46	51.1	37.9	6.14
	80	72	72.0	35.7	4.10	68.7	34.4	4.50	66.0	33.4	4.96	62.7	32.2	5.48	59.2	30.7	6.08	55.4	29.1	6.78
	75	62	60.5	44.6	4.08	58.0	43.7	4.48	55.3	42.5	4.93	52.3	41.1	5.45	49.1	39.7	6.05	45.9	38.0	6.76
	75	67	65.2	35.7	3.76	62.0	34.4	4.12	59.1	33.2	4.51	56.5	32.1	4.95	54.1	31.1	5.45	50.5	29.4	6.13
1950	80	62	61.0	54.4	4.12	58.3	52.7	4.53	55.7	52.1	4.97	52.7	50.7	5.49	49.5	48.8	6.08	46.7	46.7	6.79
	80	67	65.5	44.6	3.81	62.4	43.2	4.17	59.5	42.0	4.56	56.9	40.8	5.00	54.4	39.9	5.51	51.2	38.4	6.19
	80	72	72.3	36.1	4.15	69.0	34.8	4.55	66.3	33.8	5.01	63.0	32.4	5.53	59.4	30.9	6.13	55.6	29.5	6.83
	75	62	60.7	45.1	4.12	58.2	44.4	4.52	55.5	43.1	4.98	52.5	41.5	5.52	49.3	40.4	6.10	45.8	38.3	6.83
	75	67	65.4	36.0	3.81	62.2	34.7	4.17	59.4	33.6	4.56	56.7	32.5	5.00	54.2	31.4	5.50	50.7	29.7	6.17

**FSH3BF4M2SX60K + B64VMMX60K-C LOW SPEED**

CFM	O.D.T	I.W.B	65°F			75°F			85°F			95°F			105°F			115°F		
	E.D.B.	E.W.B.	T.C.	S.C.	K.W.	T.C.	S.C.	K.W.	T.C.	S.C.	K.W.	T.C.	S.C.	K.W.	T.C.	S.C.	K.W.	T.C.	S.C.	K.W.
1185	80	62	42.5	36.5	2.15	40.8	35.7	2.47	38.7	34.8	2.80	36.7	33.8	3.12	33.9	32.4	3.54	31.4	31.0	3.95
	80	67	47.0	31.1	2.15	45.7	30.5	2.49	43.6	29.5	2.82	40.7	28.1	3.16	37.4	26.9	3.52	34.5	25.6	3.94
	80	72	50.7	25.1	2.13	48.7	24.2	2.46	46.3	23.4	2.78	43.7	22.4	3.13	40.8	21.3	3.51	37.9	20.1	3.92
	75	62	42.3	30.9	2.16	40.7	30.2	2.47	38.8	29.3	2.78	36.3	28.1	3.15	34.0	27.0	3.51	31.2	25.7	3.94
	75	67	46.8	25.5	2.15	45.5	25.0	2.49	43.4	24.0	2.82	40.6	22.8	3.16	37.2	21.4	3.53	34.4	20.3	3.93
1255	80	62	43.0	37.6	2.17	41.4	36.8	2.46	39.1	35.7	2.82	36.7	34.6	3.17	34.2	33.3	3.55	31.7	31.7	3.99
	80	67	47.5	31.8	2.17	46.2	31.1	2.51	44.0	30.2	2.83	41.1	29.0	3.17	37.7	27.6	3.54	34.8	26.3	3.95
	80	72	51.1	25.4	2.18	49.2	24.7	2.47	46.8	23.8	2.80	44.1	22.8	3.14</						

# HEATING EXPANDED RATINGS WITH VARIABLE SPEED AIR HANDLER

## FSH3BF4M2SX24K + B64VMMX24K-B HIGH SPEED

		OUTDOOR TEMPERATURE (Deg. F)																													
CFM	Indoor T. Deg.F	5			10			17			20			30			40			47			50			60					
		MBH	COP	kW	MBH	COP	kW	MBH	COP	kW	MBH	COP	kW	MBH	COP	kW	MBH	COP	kW	MBH	COP	kW	MBH	COP	kW	MBH	COP	kW			
770	60	11.9	2.37	1.48	13.1	2.61	1.47	12.9	2.59	1.46	13.7	2.75	1.46	16.7	3.30	1.48	20.0	3.89	1.51	22.5	4.27	1.55	23.5	4.42	1.56	13.1	2.61	1.47			
	70	11.4	2.04	1.64	12.6	2.26	1.63	14.2	2.57	1.62	15.0	2.70	1.63	17.6	3.15	1.64	20.5	3.56	1.69	22.8	3.86	1.73	23.7	3.96	1.75	27.1	4.34	1.83			
	80	9.5	1.54	1.81	10.5	1.71	1.80	12.1	1.98	1.80	14.6	2.39	1.80	17.1	2.77	1.82	20.0	3.13	1.87	22.2	3.38	1.93	23.0	3.47	1.95	26.4	3.79	2.04			
810	60	12.0	2.36	1.49	13.1	2.60	1.48	13.0	2.58	1.47	13.8	2.74	1.47	16.8	3.31	1.48	20.1	3.90	1.51	22.6	4.30	1.54	23.7	4.45	1.56	13.1	2.60	1.48			
	70	11.4	2.03	1.65	12.6	2.26	1.64	14.2	2.56	1.63	15.0	2.69	1.63	17.7	3.16	1.64	20.6	3.58	1.68	22.9	3.89	1.72	23.8	4.00	1.74	27.3	4.40	1.82			
	80	9.5	1.53	1.83	10.5	1.70	1.82	12.2	1.97	1.81	14.8	2.42	1.79	17.2	2.77	1.82	20.0	3.14	1.87	22.3	3.41	1.92	23.1	3.50	1.94	26.6	3.84	2.03			
860	60	12.0	2.35	1.50	13.2	2.58	1.49	13.0	2.56	1.49	13.8	2.72	1.49	16.8	3.30	1.49	20.2	3.91	1.51	22.7	4.32	1.54	23.8	4.48	1.56	13.2	2.58	1.49			
	70	11.5	2.02	1.67	12.7	2.24	1.65	14.3	2.54	1.65	15.1	2.68	1.65	17.8	3.15	1.65	20.7	3.59	1.69	23.0	3.92	1.72	23.9	4.03	1.74	27.5	4.46	1.81			
	80	9.6	1.53	1.84	10.6	1.70	1.83	12.2	1.97	1.82	14.8	2.38	1.82	17.3	2.77	1.83	20.1	3.16	1.87	22.4	3.43	1.91	23.3	3.53	1.93	26.7	3.89	2.01			

## FSH3BF4M2SX24K + B64VMMX24K-B LOW SPEED

		OUTDOOR TEMPERATURE (Deg. F)																													
CFM	Indoor T. Deg.F	5			10			17			20			30			40			47			50			60					
		MBH	COP	kW	MBH	COP	kW	MBH	COP	kW	MBH	COP	kW	MBH	COP	kW	MBH	COP	kW	MBH	COP	kW	MBH	COP	kW	MBH	COP	kW			
510	60	11.5	2.45	1.38	12.6	2.65	1.40	12.5	2.64	1.39	13.2	2.76	1.40	15.9	3.14	1.48	19.1	3.62	1.54	21.3	3.86	1.62	22.3	3.96	1.65	12.6	2.65	1.40			
	70	11.0	2.10	1.54	12.1	2.30	1.55	13.7	2.52	1.59	14.4	2.62	1.61	16.9	2.96	1.67	19.5	3.26	1.75	21.6	3.45	1.84	22.4	3.51	1.87	25.6	3.73	2.01			
	80	9.1	1.57	1.71	10.1	1.75	1.70	11.7	2.00	1.71	14.1	2.30	1.80	16.3	2.53	1.89	19.0	2.85	1.96	21.1	3.02	2.05	21.8	3.07	2.09	24.8	3.24	2.24			
540	60	11.6	2.46	1.38	12.7	2.67	1.39	12.5	2.66	1.38	13.3	2.79	1.39	16.0	3.20	1.47	19.2	3.69	1.52	21.5	3.96	1.59	22.5	4.06	1.62	12.6	2.67	1.39			
	70	11.0	2.10	1.54	12.2	2.31	1.54	13.7	2.56	1.57	14.4	2.66	1.59	17.0	3.03	1.64	19.6	3.34	1.73	21.8	3.54	1.80	22.6	3.61	1.83	25.8	3.85	1.97			
	80	9.1	1.57	1.71	10.1	1.75	1.70	11.7	2.01	1.71	14.1	2.33	1.78	16.4	2.58	1.87	19.1	2.92	1.92	21.2	3.09	2.01	22.0	3.15	2.04	25.0	3.35	2.19			
570	60	11.6	2.46	1.38	12.7	2.69	1.38	12.6	2.68	1.37	13.3	2.82	1.39	16.1	3.25	1.45	19.3	3.76	1.50	21.6	4.05	1.57	22.6	4.16	1.59	12.7	2.69	1.38			
	70	11.0	2.11	1.54	12.2	2.32	1.54	13.8	2.58	1.56	14.5	2.69	1.58	17.0	3.08	1.62	19.7	3.40	1.70	21.9	3.62	1.77	22.7	3.70	1.80	26.0	3.95	1.93			
	80	9.2	1.57	1.71	10.2	1.75	1.70	11.8	2.02	1.70	14.2	2.36	1.76	16.6	2.64	1.84	19.2	2.97	1.90	21.3	3.16	1.98	22.1	3.23	2.01	25.3	3.44	2.15			

## FSH3BF4M2SX36K + B64VMMX36K-B HIGH SPEED

		OUTDOOR TEMPERATURE (Deg. F)																													
CFM	Indoor T. Deg.F	5			10			17			20			30			40			47			50			60					
		MBH	COP	kW	MBH	COP	kW	MBH	COP	kW	MBH	COP	kW	MBH	COP	kW	MBH	COP	kW	MBH	COP	kW	MBH	COP	kW	MBH	COP	kW			
1120	60	19.2	2.69	2.10	21.0	2.88	2.14	23.2	3.10	2.19	24.3	3.24	2.20	28.1	3.66	2.26	32.0	4.01	2.34	34.1	4.19	2.38	35.5	4.31	2.41	20.8	2.87	2.13			
	70	17.5	2.27	2.26	20.2	2.54	2.33	22.6	2.76	2.40	23.7	2.85	2.44	27.5	3.25	2.48	31.3	3.56	2.57	34.4	3.81	2.65	35.5	3.89	2.68	39.4	4.16	2.77			
	80	16.2	1.95	2.44	18.5	2.16	2.52	22.1	2.46	2.64	23.2	2.54	2.68	26.9	2.90	2.73	30.6	3.16	2.84	33.6	3.36	2.93	34.7	3.44	2.96	39.1	3.72	3.08			
1175	60	19.4	2.70	2.11	21.1	2.88	2.14	23.3	3.11	2.20	24.5	3.26	2.20	28.3	3.67	2.26	32.2	4.03	2.34	34.3	4.23	2.38	35.7	4.35	2.41	20.9	2.87	2.14			
	70	17.6	2.27	2.27	20.3	2.54	2.34	22.8	2.77	2.41	23.8	2.86	2.44	27.6	3.27	2.48	31.5	3.59	2.57	34.7	3.84	2.64	35.7	3.92	2.67	39.7	4.21	2.76			
	80	16.3	1.95	2.45	18.7	2.17	2.52	22.2	2.47	2.64	23.3	2.56	2.68	27.1	2.92	2.73	30.7	3.19	2.83	33.8	3.40	2.91	34.9	3.48	2.95	39.4	3.77	3.07			
1220	60	19.4	2.69	2.12	21.2	2.88	2.15	23.4	3.12	2.20	24.6	3.27	2.21	28.4	3.68	2.26	32.3	4.05	2.34	34.5	4.25	2.38	35.9	4.37	2.41	21.1	2.87	2.15			
	70	17.7	2.28	2.28	20.4	2.55	2.35	22.9	2.78	2.42	24.0	2.87	2.44	27.8	3.28	2.48	31.6	3.61	2.57	34.8	3.87	2.64	35.9	3.95	2.66	39.9	4.25	2.75			
	80	16.4	1.95	2.46	18.8	2.17	2.53	22.4	2.48	2.65	23.4	2.56	2.68	27.2	2.92	2.73	30.9	3.20	2.83	34.0	3.42	2.91	35.1	3.50	2.94	39.6	3.80	3.05			

## FSH3BF4M2SX36K + B64VMMX36K-B LOW SPEED

		OUTDOOR TEMPERATURE (Deg. F)																													
CFM	Indoor T. Deg.F	5			10			17			20			30			40			47			50			60					
		MBH	COP	kW	MBH	COP	kW	MBH	COP	kW	MBH	COP	kW	MBH	COP	kW	MBH	COP	kW	MBH	COP	kW	MBH	COP	kW	MBH	COP	kW			
755	60	12.3	2.30	1.57	13.8	2.55	1.59	15.7	2.85	1.62	16.5	2.96	1.64	19.2	3.36	1.68	21.9	3.72	1.72	22.7	3.84	1.74	23.9	4.03	1.74	13.8	2.55	1.59			
	70	10.4	1.79	1.71	12.8	2.14	1.76	15.3	2.48	1.81	16.1	2.59	1.83	18.8	2.93	1.88	21.5	3.25	1.94	23.8	3.58	1.95	24.6	3.72	1.94	27.0	4.01	1.98			
	80	9.3	1.45	1.87	11.3	1.72	1.92	14.5	2.13	2.00	15.6	2.25	2.03	18.2	2.54	2.09	20.9	2.83	2.17	22.9	3.02	2.22	24.0	3.23	2.18	27.2	3.56	2.24			
790	60	12.3	2.31	1.56	13.9	2.57	1.59	15.7	2.85	1.61	16.6	2.99	1.63	19.3	3.40	1.67	22.0	3.77	1.71	22.8	3.90	1.72	24.1	4.12	1.71	13.9	2.56	1.59			
	70	10.5	1.80	1.71	12.9	2.15	1.75	15.4	2.50	1.80	16.2	2.61	1.82	18.9	2.96	1.87	21.6	3.30	1.92	23.9	3.65	1.92	24.7	3.78	1.92	27.2	4.08	1.95			
	80	9.3	1.45	1.88	11.3	1.73	1.92	14.6	2.15	1.99	15.6	2.27	2.02	18.3	2.58	2.08	21.0	2.87	2.15	23.1	3.08	2.20	24.2	3.29	2.15	27.4	3.63	2.21			
810	60	12.3	2.32	1.56	13.9	2.57	1.58	15.7	2.87	1.61	16.6	3.00	1.62	19.4	3.42	1.66	22.0	3.80	1.70	22.9	3.93	1.71	24.1	4.16	1.70	13.9	2.57	1.58			
	70	10.5	1.80	1.71	12.9	2.16	1.75	15.4	2.51	1.80	16.2	2.62	1.81	18.9	2.98	1.86	21.6	3.32	1.91	24.0	3.69	1.91	24.8	3.82	1.91	27.2	4.12	1.94			
	80	9.3	1.46	1.87	11.4	1.74	1.92	14.7	2.16	1.99	15.7	2.28	2.01	18.3	2.59	2.07	21.1	2.89	2.14	23.2	3.11	2.19	24.2	3.32	2.14	27.5	3.67	2.20			

# HEATING EXPANDED RATINGS WITH VARIABLE SPEED AIR HANDLER (CONT.)

**FSH3BF4M2SX48K + B64VMMX48K-C HIGH SPEED**

		OUTDOOR TEMPERATURE (Deg. F)																										
CFM	Indoor T. Deg.F	5			10			17			20			30			40			47			50			60		
		MBH	COP	kW	MBH	COP	kW	MBH	COP	kW	MBH	COP	kW	MBH	COP	kW	MBH	COP	kW	MBH	COP	kW	MBH	COP	kW	MBH	COP	kW
1415	60	23.6	2.12	3.26	26.3	2.36	3.26	30.2	2.70	3.27	32.2	2.87	3.29	38.2	3.35	3.34	44.5	3.75	3.48	49.5	4.03	3.60	51.3	4.12	3.65	26.3	2.36	3.26
	70	22.5	1.84	3.58	25.2	2.06	3.59	27.7	2.49	3.25	29.0	2.58	3.29	33.9	2.91	3.42	40.3	3.27	3.61	47.8	3.56	3.93	49.4	3.64	3.98	56.6	3.96	4.20
	80	21.2	1.59	3.92	23.9	1.78	3.94	27.7	2.05	3.96	29.5	2.18	3.97	35.2	2.57	4.03	41.1	2.89	4.16	45.9	3.13	4.29	47.5	3.22	4.33	54.6	3.50	4.58
1510	60	22.7	2.11	3.16	25.4	2.36	3.15	29.3	2.71	3.17	31.3	2.89	3.18	37.7	3.43	3.22	43.8	3.87	3.32	48.9	4.16	3.44	50.8	4.27	3.49	25.4	2.36	3.15
	70	21.6	1.83	3.47	24.3	2.05	3.48	26.9	2.53	3.12	28.2	2.63	3.15	33.3	2.98	3.28	39.7	3.37	3.45	47.1	3.67	3.76	49.0	3.76	3.82	56.2	4.10	4.01
	80	20.4	1.57	3.82	23.0	1.76	3.83	27.0	2.06	3.84	28.6	2.18	3.85	34.4	2.60	3.89	40.4	2.95	4.02	45.3	3.21	4.13	47.2	3.31	4.18	54.1	3.61	4.39
1600	60	21.8	2.22	2.89	24.5	2.48	2.89	28.4	2.87	2.90	30.4	3.07	2.91	36.8	3.67	2.94	43.1	4.18	3.03	48.2	4.51	3.13	50.0	4.63	3.16	24.5	2.48	2.89
	70	20.7	1.90	3.20	23.3	2.13	3.21	26.1	2.71	2.83	27.4	2.82	2.85	32.6	3.21	2.98	39.0	3.63	3.15	46.4	3.94	3.46	48.3	4.05	3.49	55.6	4.42	3.68
	80	19.5	1.61	3.55	22.1	1.82	3.56	26.0	2.14	3.57	27.7	2.27	3.59	33.5	2.70	3.64	39.6	3.12	3.72	44.6	3.42	3.83	46.2	3.50	3.87	53.6	3.86	4.06

**FSH3BF4M2SX48K + B64VMMX48K-C LOW SPEED**

		OUTDOOR TEMPERATURE (Deg. F)																										
CFM	Indoor T. Deg.F	5			10			17			20			30			40			47			50			60		
		MBH	COP	kW	MBH	COP	kW	MBH	COP	kW	MBH	COP	kW	MBH	COP	kW	MBH	COP	kW	MBH	COP	kW	MBH	COP	kW	MBH	COP	kW
945	60	11.0	1.34	2.41	13.4	1.65	2.38	16.9	2.10	2.35	18.3	2.30	2.34	23.5	3.01	2.29	28.5	3.60	2.31	32.1	3.97	2.37	33.5	4.09	2.40	13.4	1.65	2.39
	70	9.4	1.03	2.70	11.9	1.30	2.68	15.6	2.04	2.25	16.7	2.16	2.26	20.7	2.61	2.33	25.4	3.06	2.44	30.3	3.36	2.65	31.8	3.48	2.68	37.0	3.88	2.79
	80	7.4	0.72	3.03	9.9	0.96	3.01	13.3	1.30	2.98	14.8	1.46	2.97	19.9	2.00	2.92	24.9	2.51	2.91	28.4	2.82	2.95	29.6	2.92	2.98	34.7	3.29	3.10
1010	60	10.8	1.34	2.36	13.2	1.66	2.33	16.7	2.12	2.30	18.2	2.32	2.29	23.3	3.07	2.23	28.5	3.74	2.23	32.3	4.16	2.27	33.8	4.31	2.30	13.2	1.66	2.33
	70	9.3	1.03	2.64	11.7	1.30	2.63	15.6	2.10	2.17	16.7	2.24	2.18	20.8	2.71	2.25	25.6	3.19	2.35	30.5	3.50	2.55	32.0	3.64	2.58	37.3	4.08	2.68
	80	7.3	0.72	2.98	9.7	0.96	2.96	13.1	1.31	2.93	14.6	1.47	2.92	19.7	2.02	2.87	24.9	2.57	2.84	28.4	2.92	2.86	29.9	3.04	2.88	35.1	3.44	2.99
1070	60	10.6	1.35	2.30	13.1	1.68	2.28	16.5	2.15	2.25	18.0	2.36	2.24	23.2	3.12	2.18	28.5	3.87	2.16	32.4	4.34	2.19	33.7	4.48	2.20	13.1	1.68	2.28
	70	9.1	1.02	2.60	11.5	1.31	2.58	15.5	2.16	2.10	16.6	2.30	2.11	20.7	2.80	2.17	25.5	3.31	2.26	30.5	3.63	2.47	31.9	3.75	2.49	37.4	4.26	2.57
	80	7.1	0.71	2.92	9.6	0.96	2.91	13.0	1.32	2.89	14.5	1.48	2.87	19.5	2.03	2.82	24.8	2.62	2.77	28.5	3.00	2.78	29.9	3.14	2.80	35.2	3.58	2.88

**FSH3BF4M2SX60K + B64VMMX60K-C HIGH SPEED**

		OUTDOOR TEMPERATURE (Deg. F)																										
CFM	Indoor T. Deg.F	5			10			17			20			30			40			47			50			60		
		MBH	COP	kW	MBH	COP	kW	MBH	COP	kW	MBH	COP	kW	MBH	COP	kW	MBH	COP	kW	MBH	COP	kW	MBH	COP	kW	MBH	COP	kW
1775	60	32.5	2.42	3.94	35.5	2.65	3.93	39.5	2.92	3.97	41.6	3.05	4.00	48.4	3.41	4.16	55.3	3.71	4.37	60.7	3.91	4.56	63.0	3.98	4.64	35.5	2.65	3.93
	70	32.2	1.99	4.74	35.2	2.21	4.67	39.1	2.39	4.80	41.2	2.50	4.83	47.8	2.82	4.98	55.1	3.17	5.10	60.6	3.33	5.33	63.0	3.43	5.38	71.7	3.65	5.76
	80	31.0	2.03	4.47	33.8	2.20	4.50	37.4	2.39	4.60	39.3	2.49	4.63	45.3	2.73	4.86	51.8	2.97	5.12	56.8	3.12	5.34	58.6	3.17	5.42	66.4	3.36	5.79
1875	60	32.7	2.40	3.99	35.7	2.62	3.99	39.8	2.92	4.00	41.9	3.03	4.05	48.7	3.41	4.19	55.7	3.73	4.38	61.2	3.92	4.58	63.4	4.01	4.64	35.7	2.62	3.99
	70	32.4	1.98	4.81	35.2	2.14	4.82	39.3	2.35	4.90	41.4	2.49	4.88	48.1	2.81	5.02	55.4	3.17	5.13	61.1	3.38	5.30	63.3	3.45	5.38	72.0	3.67	5.75
	80	31.1	2.02	4.53	33.9	2.18	4.56	37.7	2.38	4.63	39.5	2.48	4.66	45.6	2.75	4.86	52.2	2.99	5.12	57.3	3.15	5.33	59.1	3.20	5.41	66.9	3.41	5.75
1950	60	32.8	2.38	4.04	35.9	2.61	4.03	40.1	2.95	3.99	42.1	3.02	4.08	48.7	3.38	4.23	55.9	3.73	4.39	61.5	3.93	4.58	63.6	4.02	4.64	35.9	2.61	4.03
	70	32.6	1.97	4.85	35.4	2.17	4.80	39.4	2.36	4.90	41.6	2.48	4.93	48.3	2.80	5.06	55.6	3.17	5.15	61.6	3.39	5.33	63.6	3.46	5.39	72.3	3.70	5.74
	80	31.3	2.00	4.59	34.1	2.17	4.60	37.8	2.38	4.67	39.7	2.48	4.69	45.8	2.75	4.89	52.4	3.00	5.12	57.5	3.17	5.33	59.4	3.22	5.40	67.2	3.44	5.74

**FSH3BF4M2SX60K + B64VMMX60K-C LOW SPEED**

		OUTDOOR TEMPERATURE (Deg. F)																										
CFM	Indoor T. Deg.F	5			10			17			20			30			40			47			50			60		
		MBH	COP	kW	MBH	COP	kW	MBH	COP	kW	MBH	COP	kW	MBH	COP	kW	MBH	COP	kW	MBH	COP	kW	MBH	COP	kW	MBH	COP	kW
1185	60	14.0	1.28	3.19	16.9	1.57	3.16	21.2	1.99	3.12	23.0	2.18	3.10	29.4	2.83	3.04	35.6	3.36	3.11	40.1	3.68	3.20	42.1	3.80	3.25	16.9	1.57	3.16
	70	16.1	1.33	3.55	20.7	1.79	3.38	24.4	2.28	3.13	25.7	2.44	3.09	30.2	2.78	3.19	35.9	3.11	3.39	40.4	3.30	3.59	42.1	3.34	3.70	48.1	3.65	3.87
	80	14.9	1.37	3.28	19.3	1.78	3.21	16.2	1.19	3.97	18.2	1.35	3.96	25.1	1.90	3.87	31.7	2.40	3.88	36.3	2.69	3.96	38.2	2.79	4.01	44.7	3.10	4.22
1255	60	14.0	1.28	3.21	17.0	1.56	3.18	21.2	1.99	3.13	23.1	2.17	3.12	29.5	2.84	3.05	35.9	3.40	3.09	40.4	3.74	3.17	42.4	3.87	3.21	17.0	1.57	3.17
	70	16.2	1.33	3.57	20.7	1.80	3.38	24.6	2.31	3.12	25.9	2.47	3.07	30.5	2.82	3.16	36.1	3.16	3.35	40.9	3.37	3.56	42.5	3.41	3.66	48.5	3.73	3.81
	80	14.9	1.37	3.29	19.4	1.84	3.12	16.2	1.19	3.99	18.3	1.35	3.98	25.2	1.90	3.89	31.9	2.41	3.87	36.5	2.72	3.94	38.5	2.84	3.98	45.1	3.17	4.17
1300	60	14.1	1.28	3.22	17.0	1.56	3.19	21.3	1.99	3.14	23.1	2.17	3.13	29.5	2.83	3.06	36.0	3.42	3.09	40.6	3.77	3.16	42.6	3.91	3.19	17.0	1.57	3.18
	70	16.2	1.33	3.58	20.8	1.78	3.42	24.8	2.37	3.07	25.7	2.47	3.06	30.6	2.85	3.15	36.1	3.18	3.33	40.9	3.40	3.53	42.9	3.45	3.64	48.8	3.79	3.78
	80	14.9	1.36	3.32	19.5	1.78	3.22	16.3	1.19	4.00	18.3	1.34	3.99	25.2	1.90	3.90	32.0	2.42	3.87	36.7	2.74	3.92	38.7	2.86	3.96	45.3	3.21	4.14



### GENERAL TERMS OF LIMITED WARRANTY

Nortek Global HVAC, LLC will furnish a replacement for any part of this product which fails in normal use and service within the terms and conditions of the warranty.

For complete details of the Limited Warranty, including applicable terms and conditions, see your local installer or contact the Nortek Global HVAC, LLC warranty department for a copy.

Before purchasing this appliance, read important energy cost and efficiency information available from your retailer. Specifications and illustrations subject to change without notice and without incurring obligations. Printed in U.S.A (09/2022)