

NOTES

- THRU AIR SPACING BETWEEN WIRE AND METAL .063 MIN.
- TIE BOLT TORQUE TOLERANCE 7 - 10 IN. LBS.
- ROTOR FREENESS TO BE WITHIN 3/4 OZ. IN.
- FOR WASHER SET-UP, SEE CHART C600 0279, DETAIL "H".
- SALES TO SPECIFY ON P.O. WHICH PACK TO USE.

ECC	REV.	DATE	SPEC/CHECK
620174	5	12-15-97	LDC/RWS
621737	6	9-30-98	CSB/RWS
633974	7	11-23-04	LDC/LDC
640562	8	10-1-09	LDC/LDC

A. SEE PACKAGING MANUAL PAGE 2 FOR PACKAGING PROCEDURE.

- 1 MOTOR/CARTON;
- 40 MOTORS/LAYER;
- 6 LAYERS/PALLET;
- 240 MOTORS/PALLET.

- B. SEE DRAWING 8785 6079 SH. 1 FOR PALLET LAYOUT.
- C. CENTER LABEL, 6119 6484, ON END OF CARTON.
- D. PACK INSTRUCTION SHEET, 6121 6015, IN CARTON WITH MOTOR.
- E. PLACE PAMPHLET, 6122 4579, IN CARTON WITH MOTOR.

71xx xxxx M

71xx xxxx C

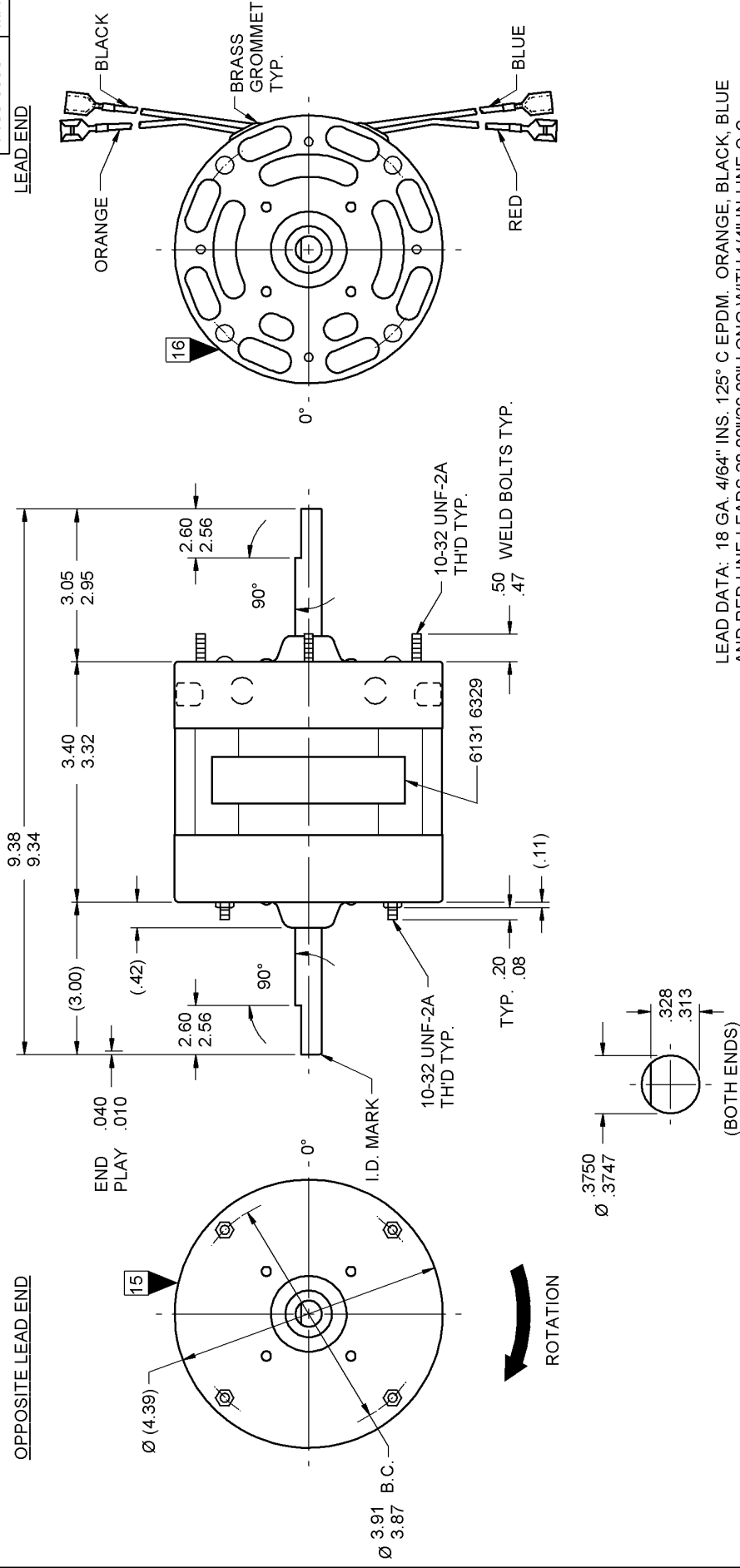
PRODUCTION TEST AT IDLE 115 VOLTS 60 HZ		MOTOR SPEED		PERFORMANCE TEST 115 VOLTS 60 HZ 1 PH 1/15 HP		LOADED		LOCKED		BREAK		
AMP	WATT	RPM	HIGH	RPM	WATT	AMP	RPM	WATT	AMP	OZ/IN	WATT	OZ/IN
2.42	1.98	135.3	110.7	1760	123	2.2	1550	179	2.5	23	243	59
1.76	1.44	95.7	78.3	1753	87	1.6	1550	128	1.8	17	173	42
1.32	1.08	73.7	60.3	1748	67	1.2	1550	98	1.4	14	128	32

MOTORS MUST START WITH 90 VOLTS APPLIED TO LOWEST SPEED.

HI-POT TEST 2000 VOLTS

MAX LEAKAGE CURRENT 5 mA

OPPOSITE LEAD END		LEAD END	
7108 6558	MA	7108 6558	MA



7108 6558 = MADE IN U.S.A.
7108 6558M = ASSEMBLED IN MEXICO

FASCO MOTOR DIVISION

V. 115 HZ 60 PH 1 AO ROT
HP 1/15 AMP 2.3 INS CL B 40° C AMB
RPM 1550 (3 SPD) TYPE U8B1 NO. 7108-6558

MODEL D1012

DATE / BAR CODE AREA PER 8882 6003

SAFETY WARNING
THIS MOTOR MUST BE SERVICED IN ACCORDANCE WITH LOCAL OR NATIONAL ELECTRICAL CODES TO PREVENT POSSIBLE INJURY DUE TO ELECTRICAL SHOCK

6131 6329 M REV. 5

LOCATE Ø OF NAMEPLATE ON Ø OF STATOR TO READ RIGHT FROM LEAD END OF MOTOR CENTER AT 0°.
SIZE 3.50 X 1.00

SPECIAL INSTRUCTIONS: SHAFT IS BONDERIZED. INSTRUCTION SHEET PACKED WITH MOTOR. FLATS TO BE PARALLEL WITHIN ± 20°. PAMPHLET PACKED WITH MOTOR.

MOTORS PACKED MAX. PER SKID: PALLET PACK, 240 CARTON PACK.
CUSTOMER: FASCO DISTRIBUTING CO.
PROPRIETARY: DO NOT DUPLICATE OR DISCLOSE TO THIRD PARTIES WITHOUT WRITTEN PERMISSION OF FASCO IND. INC., ELDON, MO.

PART NUMBER: D1012
MOTOR DIVISION
ELDON PLANT

APPLICATION:	DIST. SALES	MOTOR TYPE	MOTOR NUMBER	REV.
FINISH COLOR:	GRAY	SHADED POLE	7108 6558	8
MOTOR WEIGHT:	6.08 LBS.			
ENVIRONMENT:	DRY			
INSULATION CLASS:	B			