

GSA2(B,Q)E Series

High Efficiency Air Conditioner 14 SEER Manufactured Housing System 2 – 4 Ton Capacity

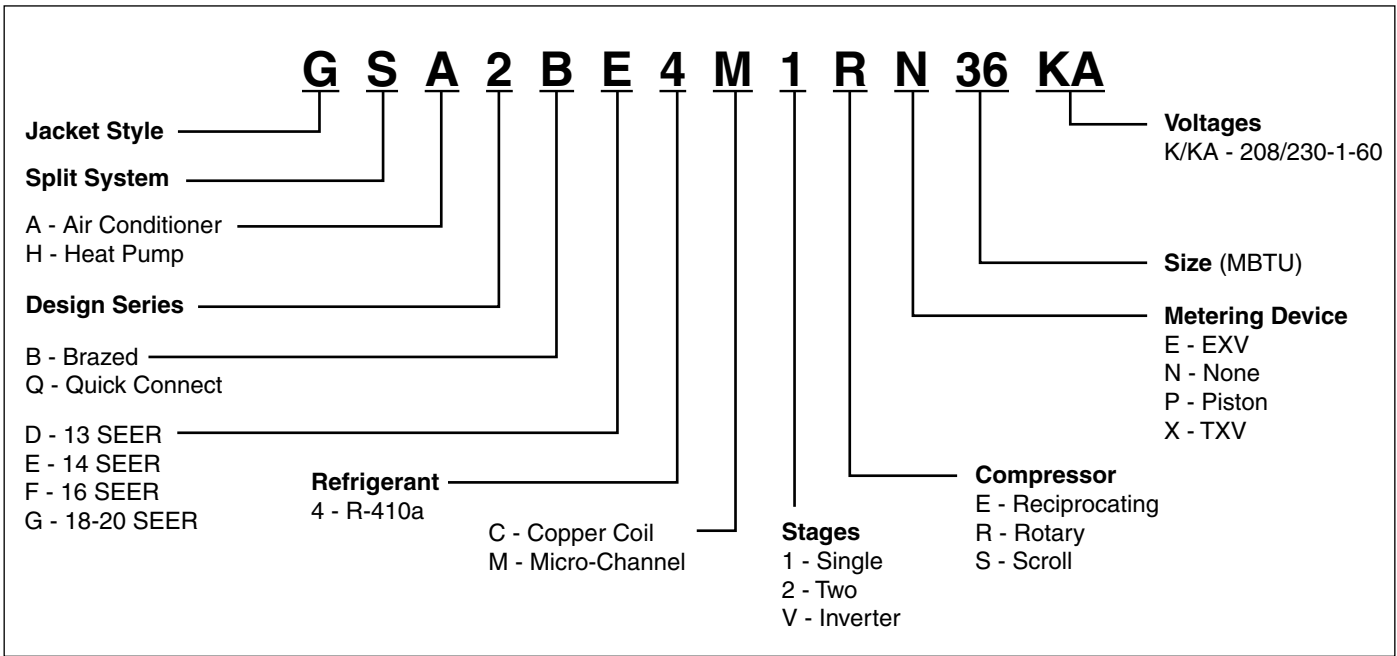
The GSA2(B,Q)E Series of air conditioners offer exceptional performance. The unit, when combined with our engineered coils or air handlers, offers a full line of quality, split system cooling equipment.



FEATURES and BENEFITS

- **Designed for Manufactured Housing:** Charged with refrigerant for 20 feet of lineset.
- **Full Service Valves:** These brass valves are easily accessible and simplify servicing of the refrigeration system.
- **Designed Using Galvanized Steel:** With a polyester urethane coat finish, it passes 950 hours of salt spray per ASTM Std. B117.
- **Composite Base Pan:** Absorbs sound and is corrosion resistant. Composite is also stronger and lighter than steel.
- **Permanently Lubricated Motor:** A heavy duty PSC motor for long lasting reliability and quiet operation. Requires no maintenance and is completely protected from rain and snow.
- **Removable Top Grille Assembly:** Allows ease of service from the top without disconnecting fan motor leads.
- **High Pressure Switch:** Protects against abnormally high system pressures. Auto-reset feature prevents nuisance service visits.
- **Liquid Line Filter Drier:** Included with unit, factory installed on QD and field installed on BD models.
- **One Piece Top/Orifice:** Designed for maximum airflow and quiet operation.
- **Easy Compressor and Control Access:** Designed to make servicing easier for the contractor, access panels are provided to all controls and the compressor from the side of the unit.
- **All-Aluminum coils:** Aluminum coils in all models which provides high corrosion resistance.
- **Powder Coated Wire Guard and Mesh Hail Guard:** Will never rust and protects the coil from being damaged by balls, lawnmowers, hail, etc.

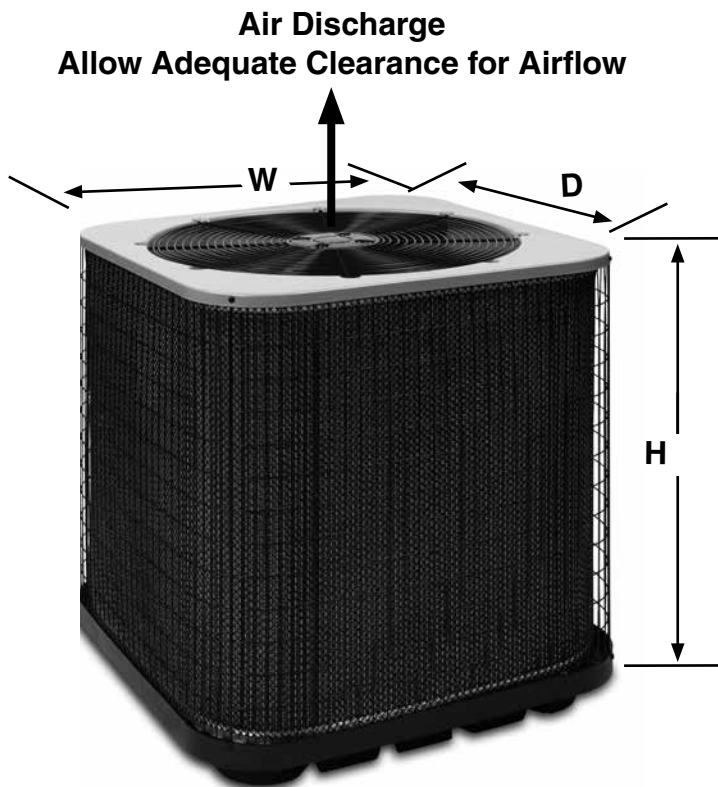
MODEL IDENTIFICATION CODES



DIMENSIONS

AIR CONDITIONER OUTDOOR SECTION

GSA2(B,Q)E	24K	30K	36K	42K	48K
H	31	27	35	39	39
W	22.75	30.75	30.75	30.75	30.75
D	22.75	30.75	30.75	30.75	30.75



PHYSICAL AND ELECTRICAL SPECIFICATIONS / OUTDOOR UNITS

14 SEER — High Efficiency — Single Phase

Model Number GSA2(B,Q)E4M1		SN24K	RN30K	RN36K	SN42K	SN48K
Electrical Data	Volts-Cycles-Phase (1)	208/230-60-1				
	Delay Fuse Max. (2)	30	20	25	40	45
	Min. Circuit Ampacity	17.5	13.3	16.5	23.8	26.2
	Fan Motor	HP	1/10	1/8	1/4	1/4
Refrigerant suction line O.D. NOTE: Liquid line is 3/8" O.D. for entire length.	0-24 ft.	3/4"	3/4"	3/4"	7/8"	7/8"
	25-39 ft.	3/4"	3/4"	7/8" (3)	7/8"	7/8"
	40-75 ft.	3/4"	3/4"	7/8" (3)	7/8"	7/8"
Approximate Weight (lbs.)	Net	112	123	136	169	171
	Ship	121	144	159	193	195
Sound Rating db		74	75	77	79	79

(1) Operating Voltage Range: 187v min. - 253v max.

(2) HACR Type Circuit Breakers may be used.

(3) Requires 7/8" to 3/4" reducer from line to unit.

(4) Requires 7/8" to 1-1/8" reducer from line to unit.

Notes:

Additional charge for line sets above 20 feet.

Values based on suction line as follows with 3/8" liquid line.

a) 3/4" = 0.6 oz. per additional foot.

b) 7/8" = 0.7 oz. per additional foot.

c) 1 1/8" = 0.8 oz. per additional foot.

ACCESSORIES - Condensing Unit

Start Assist Kit - 912933

Provides additional starting torque for the compressor motor when operating with low line voltage or high operating temperatures.

Low Ambient Kit - 918837

SYSTEM COOLING CAPACITIES

14 SEER — High Efficiency — Single Phase

Manufactured Housing Gas Furnace						
Outdoor Unit	Indoor Unit	Coil Height	Cooling Capacity @ 95° F	SEER	EER @ 95° F	CFM
GSA2QE4M1SN24K	C8QAMX24U-B	18"	23400	14	12.2	780
GSA2QE4M1RN30K	C8QAMX30U-B	18"	29000	14	12.2	1000
GSA2QE4M1RN36K	C8QAMX36U-B	18"	34800	14	12.2	1220
GSA2QE4M1SN42K	CM4Q-R42U	18.5" *	39500	14	12.2	1400
GSA2QE4M1SN42K	CM4Q-G42U	24" **	40000	14	12.2	1400
GSA2QE4M1SN48K	CM4Q-L48U	18.5" *	45000	14	11.7	1430
GSA2QE4M1SN48K	CM4Q-G48U	24" **	45000	14	11.7	1430
GSA2BE4M1SN24K	C8DAMX24U-B	18"	24000	14	12.2	700
GSA2BE4M1RN30K	C8DAMX30U-B	18"	29000	14	12.2	1000
GSA2BE4M1RN36K	C8DAMX36U-B	18"	34800	14	12.2	1220
GSA2BE4M1SN42K	CM4B-R42U	18.5" *	39500	14	12.2	1400
GSA2BE4M1SN42K	CM4B-G42U	24" **	40000	14	12.2	1400
GSA2BE4M1SN48K	CM4B-L48U	18.5" *	45000	14	11.7	1430
GSA2BE4M1SN48K	CM4B-G48U	24" **	45000	14	11.7	1430

* Requires M1/M7 18" Coil Box
 ** Requires M1/M7 24" Coil Box

E Series Electric Furnace						
Outdoor Unit	Indoor Unit	Coil Height	Cooling Capacity @ 95° F	SEER	EER @ 95° F	CFM
GSA2QE4M1SN24K	C8QAMX24U-B	18"	23400	14	12.2	700
GSA2QE4M1RN30K	C8QAMX30U-B	18"	29000	14	12.2	1000
GSA2QE4M1RN36K	C8QAMX36U-B	18"	34800	14	12.2	1220
GSA2QE4M1SN42K	CM4Q-R42U	18.5" *	39500	14	12.2	1400
GSA2QE4M1SN42K	CM4Q-G42U	24" **	40000	14	12.2	1400
GSA2QE4M1SN48K	CM4Q-L48U	18.5" *	45000	14	11.7	1430
GSA2QE4M1SN48K	CM4Q-G48U	24" **	45000	14	11.7	1430
GSA2BE4M1SN24K	C8DAMX24U-B	18"	24000	14	12.2	700
GSA2BE4M1RN30K	C8DAMX30U-B	18"	29000	14	12.2	1000
GSA2BE4M1RN36K	C8DAMX36U-B	18"	34800	14	12.2	1220
GSA2BE4M1SN42K	CM4B-R42U	18.5" *	39500	14	12.2	1400
GSA2BE4M1SN42K	CM4B-G42U	24" **	40000	14	12.2	1400
GSA2BE4M1SN48K	CM4B-L48U	18.5" *	45000	14	11.7	1430
GSA2BE4M1SN48K	CM4B-G48U	24" **	45000	14	11.7	1430

See current AHRI Directory for certified combinations and ratings. All ratings are with time delay relay.
www.ahridirectory.org



GENERAL TERMS OF LIMITED WARRANTY

Nortek Global HVAC, LLC will furnish a replacement for any part of this product which fails in normal use and service within the terms and conditions of the warranty.

For complete details of the Limited Warranty, including applicable terms and conditions, see your local installer or contact the Nortek Global HVAC, LLC warranty department for a copy.

Before purchasing this appliance, read important energy cost and efficiency information available from your retailer. Specifications and illustrations subject to change without notice and without incurring obligations. Printed in U.S.A (02/2022)