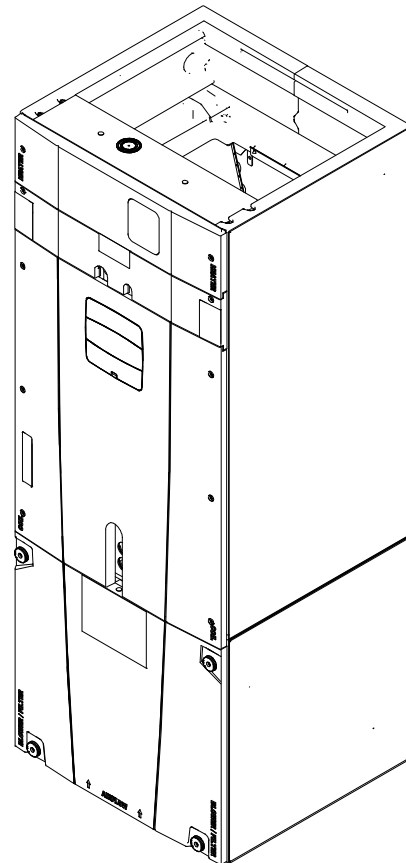




TRANE®

Modular Multi-position Air Handlers

GAM2A0A18S11SE
GAM2A0A24S21SE
GAM2A0A30S21SE
GAM2A0A36S31SE
GAM2A0B42S31SE
GAM2A0C48S41SE
GAM2A0C60S51SE



PUB. NO. 22-1868-05



Features and Benefits

- Unique Cabinet Design
 - Double Wall Foamed and Formed Cabinet System
 - Water Proof Cabinet Design
 - > R-4.2 Insulating Value (Avg Insulating Value R-8.2)
 - Composite Cabinet Doors
 - Sweat Eliminating Cabinet Design
 - Loose Fiber Eliminating Cabinet Design
 - Smooth Cleanable Cabinet Design
 - 2% or Less air leakage
 - Precision Applied Durable Door Seals
 - Tool-free Fasteners on Blower/Filter Door
 - Modular Cabinet
- Multi-Position UP/Down Flow Horizontal Left /Right
- Side Return Option
- Braze in Refrigerant Connection
- Primary/Secondary Condensate Connections
- Premarked Conduit Connection Locations
- Vortica™ Blower with Integrated Slide Deck for Easy Removal
- Polarized Plug connections on Blower
- Aluminum Coil with Integrated Slide Deck for Easy Removal
- Slide in Electric Heaters
- Polarized Plug connections for Electric Heater
- Labeled Panels and connections
- 1-1/4" to 1" And 3/4" to 1/2" Conduit connection on Left, Right and Top
- Molded in 1" Standard Filter rail
- R-410A Thermal Expansion Valve (TXV)
- Convertible to R-22 using optional accessory TXV conversion kit.
- Low Voltage Terminal Connection Point
- Enhanced Coil Fin Patented
- Blow Through Design
- PSC 3 Speed Motor (1-1/2 to 4 ton)
- High Efficiency ECM Motor (5 ton)
- Maximum Width of 23.5"
- Compact 20.8" depth with doors removed
- Integrated Horizontal Drain pans
- Single Color
- Fused 24V Power
- Safety Door Switch
- **5 year warranty**
- **10-year warranty registered**
- **Optional extended warranty available**



Contents

Features and Benefits	2
Optional Equipment	4
Unique Cabinet Design Features and Benefits	5
General Data	6
GAM2A0A18S11SE	6
GAM2A0A24S21SE	6
GAM2A0A30S21SE	6
GAM2A0A36S31SE	6
GAM2A0B42S31SE	6
GAM2A0C48S41SE	7
GAM2A0C60S51SE	7
Performance Data	8
Electrical Data	15
Field Wiring	23
Convertibility	25
Dimensions	26

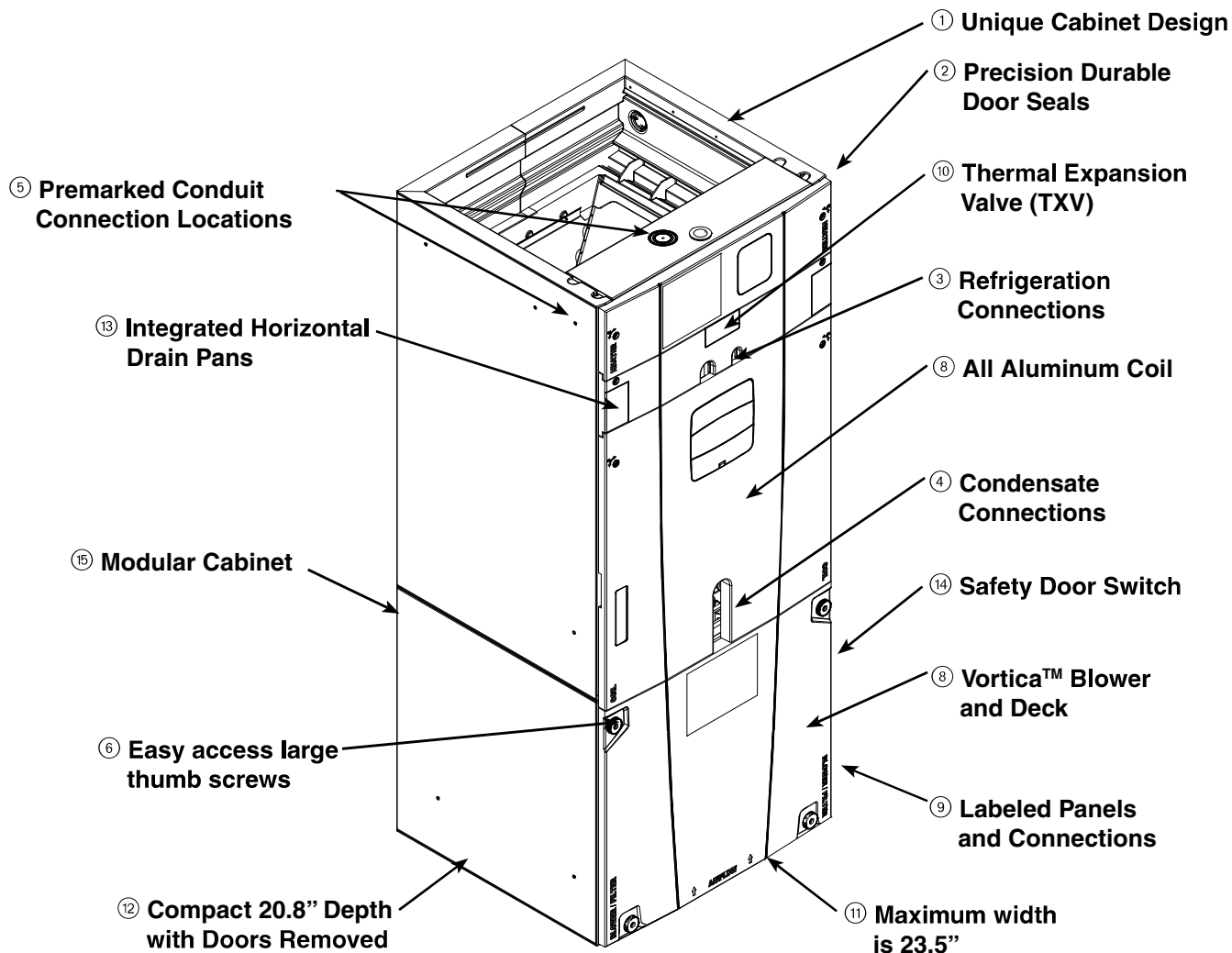


Optional Equipment

OPTIONAL EQUIPMENT FOR AIR HANDLERS

Accessory Number	Description	Fits Cabinet Size
BAYEAAC04BK1A	Electric Heater, 4kW, Breaker, 24V Control, 1 Ph	A to C
BAYEAAC04LG1A	Electric Heater, 4kW, Lugs, 24V Control, 1 Ph	A to C
BAYEAAC05BK1A	Electric Heater, 5kW, Breaker, 24V Control, 1 Ph	A to C
BAYEAAC05LG1A	Electric Heater, 5kW, Lugs, 24V Control, 1 Ph	A to C
BAYEAAC08BK1A	Electric Heater, 8kW, Breaker, 24V Control, 1 Ph	A to C
BAYEAAC08LG1A	Electric Heater, 8kW, Lugs, 24V Control, 1 Ph	A to C
BAYEAAC10BK1A	Electric Heater, 10kW, Breaker, 24V Control, 1 Ph	A to C
BAYEAAC10LG1A	Electric Heater, 10kW, Lugs, 24V Control, 1 Ph	A to C
BAYEAAC10LG3A	Electric Heater, 10kW, Lugs, 24V Control, 3 Ph	A to C
BAYEABC15BK1A	Electric Heater, 15kW, Breaker, 24V Control, 1 Ph	B to C
BAYEABC15LG3A	Electric Heater, 15kW, Lugs, 24V Control, 3 Ph	B to C
BAYEABC20BK1A	Electric Heater, 20kW, Breaker, 24V Control, 1 Ph	B to C
BAYEACC25BK1A	Electric Heater, 25kW, Breaker, 24V Control, 1 Ph	C
BAYSUPFLGAA	Supply Duct Flange A	A
BAYSUPFLGBA	Supply Duct Flange B	B
BAYSUPFLGCA	Supply Duct Flange C	C
BAYRETFLGAA	Return Duct Flange A	A
BAYRETFLGBA	Return Duct Flange B	B
BAYRETFLGCA	Return Duct Flange C	C
BAYFLR1620A	High Velocity Filter Kit, 16" X 20' X 1" (10 filters)	A
BAYFLR2020A	High Velocity Filter Kit, 20" X 20' X 1" (10 filters)	B
BAYFLR2220A	High Velocity Filter Kit, 22" X 20' X 1" (10 filters)	C
TASB175SB	Plenum Stand with Integrated Sound Baffle A	A
TASB215SB	Plenum Stand with Integrated Sound Baffle B	B
TASB235SB	Plenum Stand with Integrated Sound Baffle C	C
MITISRKIT1620	Side Return Kit with 16" x 20" Filter	A to C
TASSBK175	Sound Baffle Kit 17.5" Cabinet	A
TASSBK215	Sound Baffle Kit 21.5" Cabinet	B
TASSBK235	Sound Baffle Kit 23.5" Cabinet	C
BAYSRKIT100A	Side Return Kit	A to C
BAYFRKIT175	Front Return Kit for 17.5" Cabinet	A
BAYFRKIT210	Front Return Kit for 21.0" Cabinet	B
BAYFRKIT235	Front Return Kit for 23.5" Cabinet	C
BAYICSKIT01A	Internal Condensate Switch Kit	A to C
BAYHHKIT001A	Horizontal Hanger Kit	A to C
BAYUVCLK001A	UVC Lights	A to C
BAYLVKIT100A	Low Voltage Conduit Entry Kit	A to C
BAYSPEKT200A	Single Point Power Entry Kit	B to C
BAYWAAA05SC1AA	Hydronic heater, A cabinet, no control, slide-in	A
BAYWABB07SC1AA	Hydronic heater, B cabinet, no control, slide-in	B
BAYWACC08SC1AA	Hydronic heater, C cabinet, no control, slide-in	C
BAYWACC11SC1AA	Hydronic heater, C cabinet, no control, external	C
BAYATXV1836	R-22 TXV conversion kit	GAM5B0A18-24
BAYATXV4248	R-22 TXV conversion kit	GAM5B0B30-36,GAM5B0C42
BAYATXV6060	R-22 TXV conversion kit	GAM5B0C48-60
BAYBAFKT175	Sound Baffle Kit fo 17.5" Cabinet	A
BAYBAFKT210	Sound Baffle Kit fo 21.0" Cabinet	B
BAYBAFKT235	Sound Baffle Kit fo 23.5" Cabinet	C
BAYINSKT175A	Sound Insulation Kit for 17.5" Cabinet	A
BAYINSKT215A	Sound Insulation Kit for 21.0" Cabinet	B
BAYINSKT235A	Sound Insulation Kit for 23.5" Cabinet	C
BAYCNDPIP01A	3/4" PVC Threaded Pipe Kit Foam Seal (10 per box)	A to C

Unique Cabinet Design Features and Benefits



① Unique Cabinet Design

- Double wall foamed cabinet system
- Waterproof Cabinet Design
- R-4.2 Insulating Value (Avg Insulating Value R-8.2)
- Composite Cabinet Doors
- Sweat Eliminating Cabinet Design
- Loose Fiber Eliminating Design
- Smooth Cleanable Cabinet Design

② Precision Durable Door Seals

③ Brazed Refrigeration Connections

④ Primary/Secondary Condensate Connections

⑤ Premarked Conduit Connection Locations - Conduit

Connections on Left, Right, and Top

⑥ Easy access large thumb screws

⑦ Vortica™ Blower and Deck - Polarized Plug on Blower

⑧ All Aluminum Coil

- Integrated Slide Deck for Easy Removal
- Patented Enhanced Coil Fin

⑨ Labeled Panels and Connections

⑩ R-410A Thermal Expansion Valve (TXV)

⑪ Maximum width is 23.5"

⑫ Compact 20.8" Depth with Doors Removed

⑬ Integrated Horizontal Drain Pans

⑭ Safety Door Switch - Fused 24V Power

⑮ Modular Cabinet



TRANE®

General Data

PRODUCT SPECIFICATIONS

MODEL	GAM2A0A18S11SE	GAM2A0A24S21SE	GAM2A0A30S21SE
RATED VOLTS/PH/HZ.	208-230/1/60	208-230/1/60	208-230/1/60
RATINGS ①	See O.D. Specifications	See O.D. Specifications	See O.D. Specifications
INDOOR COIL — Type	Plate Fin	Plate Fin	Plate Fin
Rows — F.P.I.	3 - 14	3 - 14	3 - 14
Face Area (sq. ft.)	3.21	3.21	3.21
Tube Size (in.)	3/8	3/8	3/8
Refrigerant Control	TXV	TXV	TXV
Drain Conn. Size (in.) ②	3/4 NPT	3/4 NPT	3/4 NPT
DUCT CONNECTIONS	See Outline Drawing	See Outline Drawing	See Outline Drawing
INDOOR FAN — Type	Centrifugal	Centrifugal	Centrifugal
Diameter-Width (In.)	11 X 8	10 X 8	10 X 10
No. Used	1	1	1
Drive - No. Speeds	Direct - 3	Direct - 3	Direct - 5
CFM vs. in. w.g.	See Fan Performance Table	See Fan Performance Table	See Fan Performance Table
No. Motors — H.P.	1 - 1/3	1 - 1/4	1 - 1/3
Motor Speed R.P.M.	825	1075	1075
Volts/Ph/Hz	208-230/1/60	208-230/1/60	208-230/1/60
F.L. Amps - L.R. Amps	2.0 - 4.1	1.3 - 2.6	1.7 - 3.5
FILTER			
Filter Furnished?	No	No	No
Type Recommended	Throwaway	Throwaway	Throwaway
No.-Size-Thickness	1 - 16 X 20 - 1 in.	1 - 16 X 20 - 1 in.	1 - 16 X 20 - 1 in.
REFRIGERANT	R-410A	R-410A	R-410A
Ref. Line Connections	Brazed	Brazed	Brazed
Coupling or Conn. Size — in. Gas	3/4	3/4	3/4
Coupling or Conn. Size — in. Liq.	3/8	3/8	3/8
DIMENSIONS	H x W x D	H x W x D	H x W x D
Crated (In.)	51 x 20 x 24-1/2	51 x 20 x 24-1/2	51 x 20 x 24-1/2
Uncrated	49-15/16 x 17-1/2 x 21-13/16	49-15/16 x 17-1/2 x 21-13/16	49-15/16 x 17-1/2 x 21-13/16
WEIGHT			
Shipping (Lbs.)/Net (Lbs.)	123/113	126/116	127/117

PRODUCT SPECIFICATIONS

MODEL	GAM2A0A36S31SE	GAM2A0B42S31SE
RATED VOLTS/PH/HZ.	208-230/1/60	208-230/1/60
RATINGS ①	See O.D. Specifications	See O.D. Specifications
INDOOR COIL — Type	Plate Fin	Plate Fin
Rows — F.P.I.	3 - 14	3 - 14
Face Area (sq. ft.)	3.67	5.04
Tube (in.)	3/8	3/8
Refrigerant Control	TXV	TXV
Drain Conn. Size (in.) ②	3/4 NPT	3/4 NPT
DUCT CONNECTIONS	See Outline Drawing	See Outline Drawing
INDOOR FAN — Type	Centrifugal	Centrifugal
Diameter-Width (In.)	11 X 8	10 X 10
No. Used	1	1
Drive - No. Speeds	Direct - 3	Direct - 3
CFM vs. in. w.g.	See Fan Performance Table	See Fan Performance Table
No. Motors — H.P.	1 - 1/2	1 - 1/2
Motor Speed R.P.M.	1075	1075
Volts/Ph/Hz	208-230/1/60	208-230/1/60
F.L. Amps	2.4 - 3.8	2.7 - 5.0
FILTER		
Filter Furnished?	No	No
Type Recommended	Throwaway	Throwaway
No.-Size-Thickness	1 - 16 X 20 - 1 in.	1 - 20 X 20 - 1 in.
REFRIGERANT	R-410A	R-410A
Ref. Line Connections	Brazed	Brazed
Coupling or Conn. Size — in. Gas	3/4	7/8
Coupling or Conn. Size — in. Liq.	3/8	3/8
DIMENSIONS	H x W x D	H x W x D
Crated (In.)	51 x 20 x 24-1/2	56-13/16 x 23-1/2 x 24-1/2
Uncrated	49-15/16 x 17-1/2 x 21-13/16	55-23/32 x 21-5/16 x 21-13/16
WEIGHT		
Shipping (Lbs.)/Net (Lbs.)	131/120	144/133

**TRANE®**

General Data

PRODUCT SPECIFICATIONS

MODEL	GAM2A0C48S41SE	GAM2A0C60S51SE
RATED VOLTS/PH/HZ.	208-230/1/60	208-230/1/60
RATINGS ①	See O.D. Specifications	See O.D. Specifications
INDOOR COIL — Type	Plate Fin	Plate Fin
Rows — F.P.I.	3 - 14	4 - 14
Face Area (sq. ft.)	5.50	5.50
Tube Size (in.)	3/8	3/8
Refrigerant Control	TXV	TXV
Drain Conn. Size (in.) ②	3/4 NPT	3/4 NPT
DUCT CONNECTIONS	See Outline Drawing	See Outline Drawing
INDOOR FAN — Type	Centrifugal	Centrifugal
Diameter-Width (In.)	11 X 10	11 X 10
No. Used	1	1
Drive - No. Speeds	Direct - 3	Direct - 5 ③
CFM vs. in. w.g.	See Fan Performance Table	See Fan Performance Table
No. Motors — H.P.	1 - 1/2	1 - 1
Motor Speed R.P.M.	1075	1050
Volts/Ph/Hz	208-230/1/60	208-230/1/60
F.L. Amps	3.1 - 5.5	7.6
FILTER		
Filter Furnished?	No	No
Type Recommended	Throwaway	Throwaway
No.-Size-Thickness	1 - 22 X 20 - 1 in.	1 - 22 X 20 - 1 in.
REFRIGERANT	R-410A	R-410A
Ref. Line Connections	Brazed	Brazed
Coupling or Conn. Size — in. Gas	7/8	7/8
Coupling or Conn. Size — in. Liq.	3/8	3/8
DIMENSIONS		
	H x W x D	H x W x D
Crated (In.)	58 x 25-1/2 x 24-1/2	62-13/16 x 25-1/2 x 24-1/2
Uncrated	56-15/16 x 23-1/2 x 21-13/16	61-23/32 x 23-1/2 x 21-13/16
WEIGHT		
Shipping (Lbs.)/Net (Lbs.)	155/143	171/159

① These Air Handlers are A.H.R.I. certified with various Split System Air Conditioners and Heat Pumps (AHRI STANDARD 210/240). Refer to the Split System Outdoor Unit Product Data Guides for performance data.

② 3/4" Male Plastic Pipe (Ref.: ASTM 1785-76)

③ Constant torque motor



TRANE®

Performance Data

GAM2A0A18 AIRFLOW PERFORMANCE TABLE

AIRFLOW PERFORMANCE						
GAM2A0A18S11S						
EXTERNAL STATIC (in w.g)	AIRFLOW (CFM)					
	Speed Taps - 230 VOLTS			Speed Taps - 208 VOLTS		
	3	2 †	1	3	2 †	1
0	1091	743	677	1065	621	561
0.1	1024	719	659	999	606	544
0.2	952	690	635	929	583	524
0.3	875	651	598	852	551	492
0.4	799	601	553	782	510	451
0.5	726	536	488	706	453	390
0.6	621	431	390	604	369	315
0.7	500	320	N/A	474	225	N/A
0.8	321	N/A	N/A	302	N/A	N/A
0.9	N/A	N/A	N/A	N/A	N/A	N/A

NOTES:
 1. Values are with wet coil and without filters.
 2. Contact your particular filter manufacturer for pressure drop data.
 3. Electric heater pressure drop is negligible and is included within the airflow data.
 4. † Factory Setting

GAM2A0A18S11S MINIMUM HEATER AIRFLOW CFM		
Heater	Minimum Air Speed Tap	
	With Heat Pump	Without Heat Pump
BAYEAC04BK1AA BAYEAC04LG1AA	Tap 1	Tap 1
BAYEAC05BK1AA BAYEAC05LG1AA	Tap 1	Tap 1
BAYEAC08BK1AA BAYEAC08LG1AA	Tap 2	Tap 1
BAYEAC10BK1AA BAYEAC10LG1AA	Tap 3	Tap 2
BAYEAC10LG3AA	Tap 3	Tap 1
BAYEABC15BK1AA	-	-
BAYEABC20BK1AA	-	-

SEE AIR HANDLER NAMEPLATE OR PRODUCT DATA FOR EXCEPTIONS

Note: Heating and cooling speeds are the same, factory set at Speed Tap #2.



Performance Data

GAM2A0A24 AIRFLOW PERFORMANCE TABLE

AIRFLOW PERFORMANCE						
GAM2A0A24S21S						
EXTERNAL STATIC (in w.g)	AIRFLOW (CFM)					
	Speed Taps - 230 VOLTS			Speed Taps - 208 VOLTS		
	3	2 †	1	3	2 †	1
0	1036	871	774	929	746	663
0.1	1008	838	747	890	720	636
0.2	965	806	712	856	686	605
0.3	922	767	676	815	654	564
0.4	875	726	638	777	618	518
0.5	823	681	591	733	568	464
0.6	769	608	505	675	479	398
0.7	673	498	422	572	393	N/A
0.8	515	402	322	436	303	N/A
0.9	339	242	N/A	279	N/A	N/A

NOTES:
 1. Values are with wet coil and without filters.
 2. Contact your particular filter manufacturer for pressure drop data.
 3. Electric heater pressure drop is negligible and is included within the airflow data.
 4. † Factory Setting

GAM2A0A24S21S MINIMUM HEATER AIRFLOW CFM		
Heater	Minimum Air Speed Tap	
	With Heat Pump	Without Heat Pump
BAYEAAC04BK1AA BAYEAAC04LG1AA	Tap 1	Tap 1
BAYEAAC05BK1AA BAYEAAC05LG1AA	Tap 1	Tap 1
BAYEAAC08BK1AA BAYEAAC08LG1AA	Tap 1	Tap 1
BAYEAAC10BK1AA BAYEAAC10LG1AA	Tap 2 ①	Tap 1
BAYEAAC10LG3AA	Tap 3	Tap 1
BAYEABC15BK1AA	-	-
BAYEABC20BK1AA	-	-

SEE AIR HANDLER NAMEPLATE OR PRODUCT DATA FOR EXCEPTIONS
 ① Minimum Speed Tap is 3 for Horizontal Left only.

Note: Heating and cooling speeds are the same, factory set at Speed Tap #2.



TRANE®

Performance Data

GAM2A0A30 AIRFLOW PERFORMANCE TABLE

AIRFLOW PERFORMANCE						
GAM2A0A30S21S						
EXTERNAL STATIC (in w.g)	AIRFLOW (CFM)					
	Speed Taps - 230 VOLTS			Speed Taps - 208 VOLTS		
	3	2 †	1	3	2 †	1
0	1202	1013	944	1145	867	798
0.1	1156	985	922	1102	847	779
0.2	1102	947	892	1059	838	774
0.3	1049	909	859	1006	795	733
0.4	1000	867	822	958	774	714
0.5	943	823	783	900	726	672
0.6	883	767	738	843	681	621
0.7	822	709	658	778	601	542
0.8	749	583	542	697	492	441
0.9	684	440	N/A	628	N/A	N/A
1.0	613	N/A	N/A	549	N/A	N/A

NOTES:
 1. Values are with wet coil and without filters.
 2. Contact your particular filter manufacturer for pressure drop data.
 3. Electric heater pressure drop is negligible and is included within the airflow data.
 4. † Factory Setting

GAM2A0A30S21S MINIMUM HEATER AIRFLOW CFM		
Heater	Minimum Air Speed Tap	
	With Heat Pump	Without Heat Pump
BAYEAAC04BK1AA BAYEAAC04LG1AA	Tap 1	Tap 1
BAYEAAC05BK1AA BAYEAAC05LG1AA	Tap 1	Tap 1
BAYEAAC08BK1AA BAYEAAC08LG1AA	Tap 2	Tap 1
BAYEAAC10BK1AA BAYEAAC10LG1AA	Tap 2	Tap 1
BAYEAAC10LG3AA	Tap 1	Tap 1
BAYEABC15BK1AA	Tap 3	Tap 2
BAYEABC15LG3AA	Tap 3 ①	Tap 1 ①
BAYEABC20BK1AA	-	-

SEE AIR HANDLER NAMEPLATE OR PRODUCT DATA FOR EXCEPTIONS
 ① Heater not qualified for 240V in downflow installations.

Note: Heating and cooling speeds are the same, factory set at Speed Tap #2.



Performance Data

GAM2A0A36 AIRFLOW PERFORMANCE TABLE

AIRFLOW PERFORMANCE						
GAM2A0A36S31S						
EXTERNAL STATIC (in w.g)	AIRFLOW (CFM)					
	Speed Taps - 230 VOLTS			Speed Taps - 208 VOLTS		
	3	2 †	1	3	2 †	1
0	1456	1322	1170	1351	1189	1015
0.1	1417	1288	1140	1316	1164	990
0.2	1375	1254	1107	1279	1131	963
0.3	1328	1214	1075	1236	1100	938
0.4	1278	1179	1045	1197	1056	916
0.5	1239	1150	1018	1171	1030	888
0.6	1212	1117	983	1137	991	852
0.7	1164	1071	936	1092	948	807
0.8	1107	1017	877	1036	895	748
0.9	1040	942	799	967	828	688
1.0	953	843	724	882	753	608

NOTES:
 1. Values are with wet coil and without filters.
 2. Contact your particular filter manufacturer for pressure drop data.
 3. Electric heater pressure drop is negligible and is included within the airflow data.
 4. † Factory Setting

GAM2A0A36S31S MINIMUM HEATER AIRFLOW CFM		
Heater	Minimum Air Speed Tap	
	With Heat Pump	Without Heat Pump
BAYEAAC04BK1AA BAYEAAC04LG1AA	Tap 1	Tap 1
BAYEAAC05BK1AA BAYEAAC05LG1AA	Tap 1	Tap 1
BAYEAAC08BK1AA BAYEAAC08LG1AA	Tap 2 ①	Tap 2 ①
BAYEAAC10BK1AA BAYEAAC10LG1AA	Tap 3 ②	Tap 2 ②
BAYEAAC10LG3AA	Tap 1	Tap 1
BAYEABC15BK1AA	Tap 3	Tap 2
BAYEABC15LG3AA	Tap 3	Tap 1
BAYEABC20BK1AA	-	-

SEE AIR HANDLER NAMEPLATE OR PRODUCT DATA FOR EXCEPTIONS
 ① Heater not approved for Horizontal Left installations. Upflow installation approved for 240 Volts only.
 ② Approved for 240 Volts only. Approved for Upflow only.

Note: Heating and cooling speeds are the same, factory set at Speed Tap #2.



Performance Data

GAM2A0B42 AIRFLOW PERFORMANCE TABLE

AIRFLOW PERFORMANCE						
GAM2A0B42S31S						
EXTERNAL STATIC (in w.g)	AIRFLOW (CFM)					
	Speed Taps - 230 VOLTS			Speed Taps - 208 VOLTS		
	3	2 †	1	3	2 †	1
0	1646	1495	1358	1522	1298	1138
0.1	1599	1464	1335	1489	1285	1137
0.2	1546	1421	1313	1449	1260	1120
0.3	1488	1380	1280	1401	1233	1099
0.4	1425	1329	1233	1348	1193	1065
0.5	1353	1264	1178	1281	1140	1023
0.6	1259	1182	1108	1202	1075	958
0.7	1145	1081	995	1102	965	868
0.8	982	909	839	926	817	753
0.9	788	759	731	761	713	N/A
1.0	563	N/A	N/A	538	N/A	N/A

NOTES:
 1. Values are with wet coil and without filters.
 2. Contact your particular filter manufacturer for pressure drop data.
 3. Electric heater pressure drop is negligible and is included within the airflow data.
 4. † Factory Setting

GAM2A0B42S31S MINIMUM HEATER AIRFLOW CFM		
Heater	Minimum Air Speed Tap	
	With Heat Pump	Without Heat Pump
BAYEAAC04BK1AA BAYEAAC04LG1AA	Tap 1	Tap 1
BAYEAAC05BK1AA BAYEAAC05LG1AA	Tap 1	Tap 1
BAYEAAC08BK1AA BAYEAAC08LG1AA	Tap 1	Tap 1
BAYEAAC10BK1AA BAYEAAC10LG1AA	Tap 1	Tap 1
BAYEAAC10LG3AA	Tap 1	Tap 1
BAYEABC15BK1AA	Tap 1	Tap 1
BAYEABC15LG3AA	Tap 3 ①	Tap 1 ①
BAYEABC20BK1AA	Tap 3	Tap 1

SEE AIR HANDLER NAMEPLATE OR PRODUCT DATA FOR EXCEPTIONS
 ① Heater not qualified for 240V in downflow installations

Note: Heating and cooling speeds are the same, factory set at Speed Tap #2.



Performance Data

GAM2A0C48 AIRFLOW PERFORMANCE TABLE

AIRFLOW PERFORMANCE						
GAM2A0C48S41S						
EXTERNAL STATIC (in w.g)	AIRFLOW (CFM)					
	Speed Taps - 230 VOLTS			Speed Taps - 208 VOLTS		
	3	2 †	1	3	2 †	1
0	1904	1711	1541	1652	1455	1305
0.1	1881	1687	1529	1640	1450	1288
0.2	1844	1666	1511	1619	1425	1271
0.3	1806	1637	1485	1592	1410	1249
0.4	1766	1602	1454	1559	1381	1231
0.5	1716	1560	1420	1524	1351	1198
0.6	1659	1513	1380	1484	1321	1165
0.7	1594	1458	1333	1434	1283	1127
0.8	1525	1395	1277	1376	1229	1067
0.9	1442	1310	1194	1304	1149	N/A
1.0	1345	N/A	N/A	1194	N/A	N/A

NOTES:

1. Values are with wet coil and without filters.
2. Contact your particular filter manufacturer for pressure drop data.
3. Electric heater pressure drop is negligible and is included within the airflow data.
4. † Factory Setting

GAM2A0C48S41S MINIMUM HEATER AIRFLOW CFM		
Heater	Minimum Air Speed Tap	
	With Heat Pump	Without Heat Pump
BAYEAAC04BK1AA BAYEAAC04LG1AA	Tap 1	Tap 1
BAYEAAC05BK1AA BAYEAAC05LG1AA	Tap 1	Tap 1
BAYEAAC08BK1AA BAYEAAC08LG1AA	Tap 1	Tap 1
BAYEAAC10BK1AA BAYEAAC10LG1AA	Tap 1	Tap 1
BAYEAAC10LG3AA	Tap 1 ①	Tap 1 ①
BAYEABC15BK1AA	Tap 1	Tap 1
BAYEABC15LG3AA	Tap 1	Tap 1
BAYEABC20BK1AA	Tap 1	Tap 1
BAYEACC25BK1AA	Tap 3	Tap 2 ②

SEE AIR HANDLER NAMEPLATE OR PRODUCT DATA FOR EXCEPTIONS

① Heater not qualified for 208V in upflow installations

② Not approved for 208 Volts

Note: Heating and cooling speeds are the same, factory set at Speed Tap #2.



Performance Data

GAM2A0C60 AIRFLOW PERFORMANCE TABLE

AIRFLOW PERFORMANCE										
GAM2A0C60S51S										
EXTERNAL STATIC (in w.g)	AIRFLOW (CFM)									
	Speed Taps - 230 VOLTS					Speed Taps - 208 VOLTS				
	5	4 †	3	2	1	5	4 †	3	2	1
0	2169	1956	1874	1739	1633	2165	2033	1871	1736	1629
0.1	2161	1916	1839	1696	1588	2155	1990	1833	1690	1582
0.2	2130	1889	1803	1667	1554	2121	1961	1795	1659	1545
0.3	2102	1850	1774	1628	1523	2090	1919	1763	1617	1511
0.4	2066	1818	1741	1596	1491	2052	1884	1727	1582	1477
0.5	2015	1785	1707	1564	1457	1998	1848	1690	1547	1440
0.6	1959	1754	1673	1520	1408	1939	1814	1653	1500	1389
0.7	1888	1716	1638	1477	1372	1880	1774	1615	1455	1349
0.8	1811	1680	1605	1440	1323	1820	1735	1580	1415	1298
0.9	1750	1628	1561	1403	1291	1770	1680	1533	1376	1263
1.0	1680	1604	1533	1368	1256	1725	1654	1503	1337	1226

NOTES:

1. Values are with wet coil and without filters.
2. Contact your particular filter manufacturer for pressure drop data.
3. Electric heater pressure drop is negligible and is included within the airflow data.
4. † Factory Setting

GAM2A0C60S51S MINIMUM HEATER AIRFLOW CFM		
Heater	Minimum Air Speed Tap	
	With Heat Pump	Without Heat Pump
BAYEAAC04BK1AA BAYEAAC04LG1AA	Tap 2	Tap 2
BAYEAAC05BK1AA BAYEAAC05LG1AA	Tap 2	Tap 2
BAYEAAC08BK1AA BAYEAAC08LG1AA	Tap 3	Tap 2
BAYEAAC10BK1AA BAYEAAC10LG1AA	Tap 3	Tap 2
BAYEAAC10LG3AA	Tap 1	Tap 1
BAYEABC15BK1AA	Tap 4	Tap 3
BAYEABC15LG3AA	Tap 1	Tap 1
BAYEABC20BK1AA	Tap 4	Tap 3
BAYEACC25BK1AA	Tap 5	Tap 4

Note: Heating and cooling speeds are the same, factory set at Speed Tap #4 for the CTM motor.

SEE AIR HANDLER NAMEPLATE OR PRODUCT DATA FOR EXCEPTIONS



Electrical Data

WIRING DATA											
GAM2A0A18S11S											
Heater Model No.	No. of Circuits	240 VOLT					208 VOLT				
		Capacity		Heater Amps per Circuit	Minimum Circuit Ampacity	Maximum Overload Protection	Capacity		Heater Amps per Circuit	Minimum Circuit Ampacity	Maximum Overload Protection
		kW	BTUH				kW	BTUH			
No Heater	-	-	-	2.0**	3	15	-	-	2.0**	3	15
BAYEAAC04++1	1	3.84	13100	16	23	25	2.88	9800	13.80	20	20
BAYEAAC05++1	1	4.80	16400	20	28	30	3.60	12300	17.30	24	25
BAYEAAC08++1	1	7.68	26200	32	43	45	5.76	19700	27.70	37	40
BAYEAAC10++1	1	9.60	32800	40	53	60	7.20	24600	34.60	46	50
BAYEAAC10LG3	1-3PH	9.60	32800	23.1	31	35	7.20	24600	20.00	27	30

Note: ** Motor Amps

WIRING DATA											
GAM2A0A24S21S											
Heater Model No.	No. of Circuits	240 VOLT					208 VOLT				
		Capacity		Heater Amps per Circuit	Minimum Circuit Ampacity	Maximum Overload Protection	Capacity		Heater Amps per Circuit	Minimum Circuit Ampacity	Maximum Overload Protection
		kW	BTUH				kW	BTUH			
No Heater	-	-	-	1.3**	2	15	-	-	1.3**	2	15
BAYEAAC04++1	1	3.84	13100	16	22	25	2.88	9800	13.80	19	20
BAYEAAC05++1	1	4.80	16400	20	27	30	3.60	12300	17.30	23	25
BAYEAAC08++1	1	7.68	26200	32	42	45	5.76	19700	27.70	36	40
BAYEAAC10++1 ^①	1	9.60	32800	40	52	60	7.20	24600	34.60	45	45
BAYEAAC10LG3	1-3PH	9.60	32800	23.1	30	30	7.20	24600	20.00	26	30

Note: ** Motor Amps
^① For heat pump, minimum Speed Tap is 3 for Horizontal Left only.



TRANE®

Electrical Data

WIRING DATA											
GAM2A0A30S21S											
Heater Model No.	No. of Circuits	240 VOLT					208 VOLT				
		Capacity		Heater Amps per Circuit	Minimum Circuit Ampacity	Maximum Overload Protection	Capacity		Heater Amps per Circuit	Minimum Circuit Ampacity	Maximum Overload Protection
		kW	BTUH				kW	BTUH			
No Heater	-	-	-	1.7**	2	15	-	-	1.7**	2	15
BAYEAC04++1	1	3.84	13100	16	22	25	2.88	9800	13.80	19	20
BAYEAC05++1	1	4.80	16400	20	27	30	3.60	12300	17.3	24	25
BAYEAC08++1	1	7.68	26200	32	42	45	5.76	19700	27.7	37	40
BAYEAC10++1	1	9.60	32800	40	52	60	7.20	24600	34.6	45	45
BAYEAC10LG3	1-3PH	9.60	32800	23.1	31	35	7.20	24600	20.00	27	30
BAYEABC15LG3 ①	1-3PH	14.40	49200	34.6	45	45	10.80	36900	30.00	39	40
BAYEABC15++1	2										
circuit 1		9.60	32800	40	52	60	7.20	24600	34.6	45	45
circuit 2		4.80	16400	20	25	25	3.60	12300	17.3	22	25

Note: ** Motor Amps
 ① Heater not qualified for 240V in downflow installations.

WIRING DATA											
GAM2A0A36S31S											
Heater Model No.	No. of Circuits	240 VOLT					208 VOLT				
		Capacity		Heater Amps per Circuit	Minimum Circuit Ampacity	Maximum Overload Protection	Capacity		Heater Amps per Circuit	Minimum Circuit Ampacity	Maximum Overload Protection
		kW	BTUH				kW	BTUH			
No Heater	-	-	-	2.4**	3	15	-	-	2.4**	3	15
BAYEAC04++1	1	3.84	13100	16	23	25	2.88	9800	13.80	20	20
BAYEAC05++1	1	4.80	16400	20	28	30	3.60	12300	17.3	25	25
BAYEAC08++1 ①	1	7.68	26200	32	43	45	5.76	19700	27.7	38	40
BAYEAC10++1 ②	1	9.60	32800	40	53	60	N/A ②	N/A ②	N/A ②	N/A ②	N/A ②
BAYEAC10LG3	1-3PH	9.60	32800	23.1	32	35	7.20	24600	20.0	28	30
BAYEABC15LG3	1-3PH	14.40	49200	34.6	46	50	10.80	36900	30.0	40	40
BAYEABC15++1	2										
circuit 1		9.60	32800	40	53	60	7.20	24600	34.6	46	50
circuit 2		4.80	16400	20	25	25	3.60	12300	17.3	22	25

Note: ** Motor Amps
 ① Heater not approved for Horizontal Left installations. Upflow Installation approved for 240 Volts only.
 ② Approved for 240 Volts only. Approved for Upflow only.

Notes:
 1. See Air Handler Nameplate for approved combinations of Air Handlers and Heaters.
 2. Heater model number may have additional suffix digits.



TRANE®

Electrical Data

WIRING DATA											
GAM2A0B42S31S											
Heater Model No.	No. of Circuits	240 VOLT					208 VOLT				
		Capacity		Heater Amps per Circuit	Minimum Circuit Ampacity	Maximum Overload Protection	Capacity		Heater Amps per Circuit	Minimum Circuit Ampacity	Maximum Overload Protection
		kW	BTUH				kW	BTUH			
No Heater	-	-	-	2.7**	3	15	-	-	2.7**	3	15
BAYEAAC04++1	1	3.84	13100	16	23	25	2.88	9800	13.80	21	25
BAYEAAC05++1	1	4.80	16400	20	28	30	3.60	12300	17.3	25	25
BAYEAAC08++1	1	7.68	26200	32	43	45	5.76	19700	27.7	38	40
BAYEAAC10++1	1	9.60	32800	40	53	60	7.20	24600	34.6	47	50
BAYEAAC10LG3	1-3PH	9.60	32800	23.1	32	35	7.20	24600	20.0	28	30
BAYEABC15LG3①	1-3PH	14.40	49200	34.6	46	50	10.80	36900	30.0	40	40
BAYEABC15++1	2										
circuit 1		9.60	32800	40	53	60	7.20	24600	34.6	47	50
circuit 2		4.80	16400	20	25	25	3.60	12300	17.3	22	25
BAYEABC20++1	2										
circuit 1		9.60	32800	40	53	60	7.20	24600	34.6	53	60
circuit 2		9.60	32800	40	50	50	7.20	24600	34.6	43	45

Note: ** Motor Amps
 ① Heater not qualified for 240V in downflow installations

Notes:

1. See Air Handler Nameplate for approved combinations of Air Handlers and Heaters.
2. Heater model number may have additional suffix digits.



TRANE®

Electrical Data

WIRING DATA											
GAM2A0C48S41S											
Heater Model No.	No. of Circuits	240 VOLT					208 VOLT				
		Capacity		Heater Amps per Circuit	Minimum Circuit Ampacity	Maximum Overload Protection	Capacity		Heater Amps per Circuit	Minimum Circuit Ampacity	Maximum Overload Protection
		kW	BTUH				kW	BTUH			
No Heater	-	-	-	3.1**	4	15	-	-	3.1**	4	15
BAYE AAC04++	1	3.84	13100	16	24	25	2.88	9800	13.80	21	25
BAYE AAC05++	1	4.80	16400	20.0	29	30	3.60	12300	17.3	26	30
BAYE AAC08++	1	7.68	26200	32.0	44	45	5.76	19700	27.7	38	40
BAYE AAC10++	1	9.60	32800	40.0	54	60	7.20	24600	34.6	47	50
BAYE AAC10LG3①	1-3PH	9.60	32800	23.1	32	35	7.20	24600	20.0	28	30
BAYE ABC15LG3	1-3PH	14.40	49200	34.6	47	50	10.80	36900	30.0	41	45
BAYE ABC15++	2										
circuit 1		9.60	32800	40.0	54	60	7.20	24600	34.6	47	50
circuit 2		4.80	16400	20.0	25	25	3.60	12300	17.3	22	25
BAYE ABC20++	2										
circuit 1		9.60	32800	40.0	54	60	7.20	24600	34.6	53	60
circuit 2		9.60	32800	40.0	50	50	7.20	24600	34.6	43	45
BAYE ABC25++ ②	3										
circuit 1		9.60	32800	40.0	54	60	7.20	24600	34.6	47	50
circuit 2		9.60	32800	40.0	50	50	7.20	24600	34.6	43	45
circuit 3		4.80	16400	20.0	25	25	3.60	12300	17.3	22	25

Note: ** Motor Amps
 ① Heater not qualified for 208V in upflow installations
 ② Not approved for 208 Volt without Heat Pump

Notes:

1. See Air Handler Nameplate for approved combinations of Air Handlers and Heaters.
2. Heater model number may have additional suffix digits.



TRANE®

Electrical Data

WIRING DATA											
GAM2A0C60S51S											
Heater Model No.	No. of Circuits	240 VOLT					208 VOLT				
		Capacity		Heater Amps per Circuit	Minimum Circuit Ampacity	Maximum Overload Protection	Capacity		Heater Amps per Circuit	Minimum Circuit Ampacity	Maximum Overload Protection
		kW	BTUH				kW	BTUH			
No Heater	-	-	-	7.6**	10	15	-	-	7.6**	10	15
BAYEAAC04++	1	3.84	13100	16	30	30	2.88	9800	13.80	27	30
BAYEAAC05++	1	4.80	16400	20.0	35	35	3.60	12300	17.3	31	35
BAYEAAC08++	1	7.68	26200	32.0	50	50	5.76	19700	27.7	44	45
BAYEAAC10++	1	9.60	32800	40.0	60	60	7.20	24600	34.6	53	60
BAYEAAC10LG3	1-3PH	9.60	32800	23.1	37	40	7.20	24600	20.0	34	35
BAYEABC15LG3	1-3PH	14.40	49200	34.6	52	60	10.80	36900	30.0	46	50
BAYEABC15++	2										
circuit 1		9.60	32800	40.0	60	60	7.20	24600	34.6	53	60
circuit 2		4.80	16400	20.0	25	25	3.60	12300	17.3	22	25
BAYEABC20++	2										
circuit 1		9.60	32800	40.0	60	60	7.20	24600	34.6	53	60
circuit 2		9.60	32800	40.0	50	50	7.20	24600	34.6	43	45
BAYEABC25++	3										
circuit 1		9.60	32800	40.0	60	60	7.20	24600	34.6	53	60
circuit 2		9.60	32800	40.0	50	50	7.20	24600	34.6	43	45
circuit 3		4.80	16400	20.0	25	25	3.60	12300	17.3	22	25

Note: ** Motor Amps

Notes:

1. See Air Handler Nameplate for approved combinations of Air Handlers and Heaters.
2. Heater model number may have additional suffix digits.



TRANE®

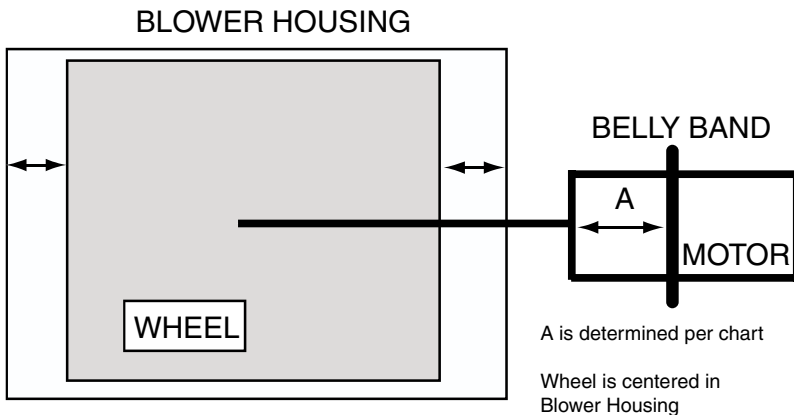
Electrical Data

GAM2 AIR HANDLER AND HEATER MATRIX - ALLOWABLE COMBINATIONS

APPROVED AIR HANDLER - HEATER COMBINATIONS							
AIR HANDLER	HEATER MODEL NUMBER						
MODEL NUMBER	BAYE AAC04BK1 BAYE AAC04LG1 3.84 kW	BAYE AAC08BK1 BAYE AAC08LG1 7.68 kW	BAYE AAC10BK1 BAYE AAC10LG1 9.60 kW	BAYE ABC15BK1 14.40 kW	BAYE ABC15LG3 14.40 kW	BAYE ABC20BK1 19.20 kW	BAYE ACC25BK1 24.00
	BAYE AAC05BK1 BAYE AAC05LG1 4.80 kW		BAYE AAC10LG3 9.60 kW				
GAM2A0A18S11SE	Y	Y	Y	-	-	-	-
GAM2A0A24S21SE	Y	Y	Y	-	-	-	-
GAM2A0A30S21SE	Y	Y	Y	Y	Y	-	-
GAM2A0A36S31SE	Y	Y	Y	Y	Y	-	-
GAM2A0B42S31SE	Y	Y	Y	Y	Y	Y	-
GAM2A0C48S41SE	Y	Y	Y	Y	Y	Y	Y
GAM2A0C60S51SE	Y	Y	Y	Y	Y	Y	Y

BK = Breaker
LG = Lug Terminal
See the air handler nameplate for approved combinations of air handlers and heaters.

DISTANCE FROM BELLY BAND TO SHAFT FACE OF MOTOR FOR MINIMUM VIBRATION



MODEL	DIM "A"
GAM2A0A18S11SE	1-1/8
GAM2A0A24S21SE	2-11/16
GAM2A0A30S21SE	1-9/16
GAM2A0A36S31SE	1-11/16
GAM2A0B42S31SE	3
GAM2A0C48S41SE	2-13/16
GAM2A0C60S51SE	2-1/4

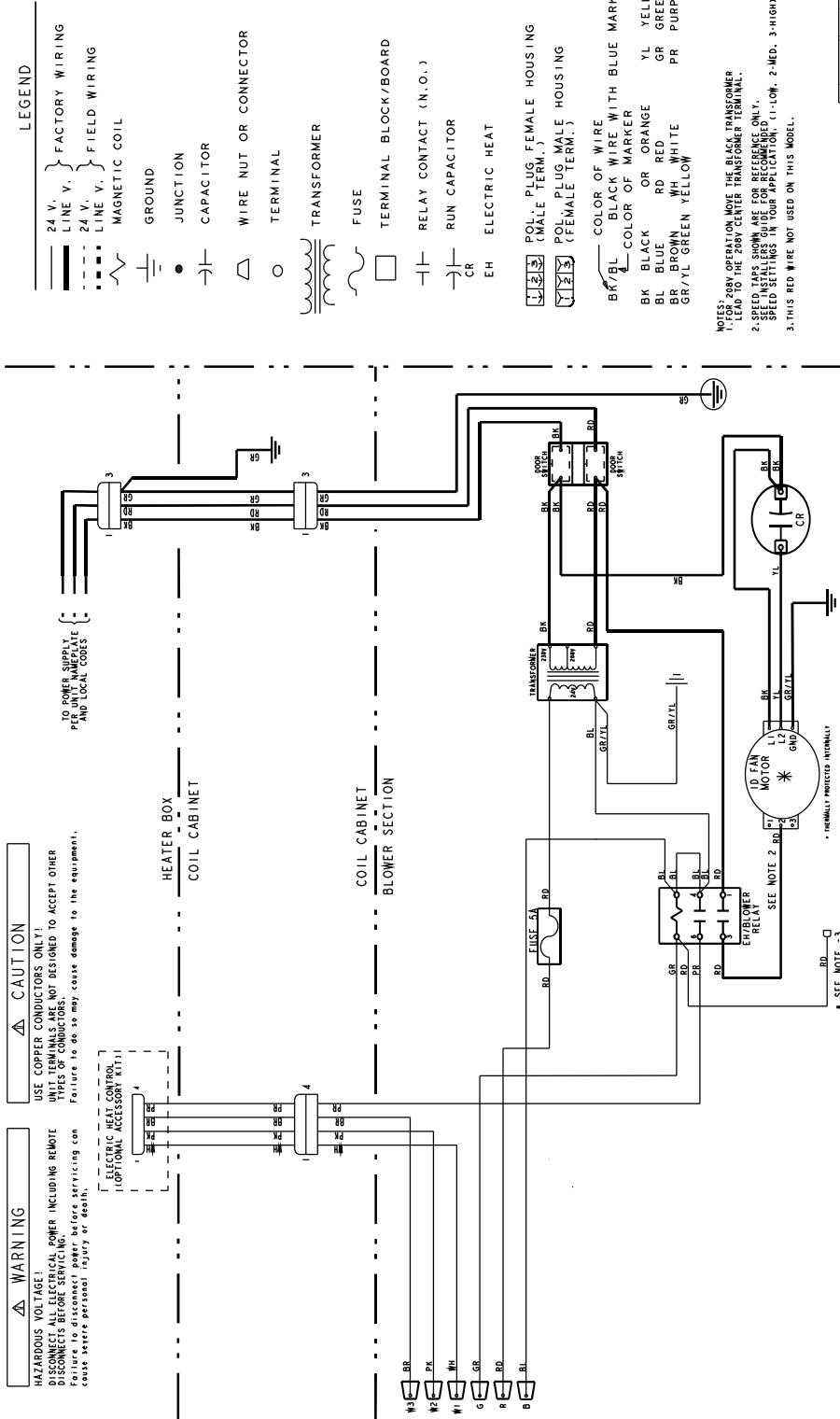
For factory OEM motors



TRANE®

Electrical Data

WIRING DIAGRAM FOR GAM2A0A18 THROUGH GAM2A0C48 AIR HANDLERS (1.5 - 4 TON)



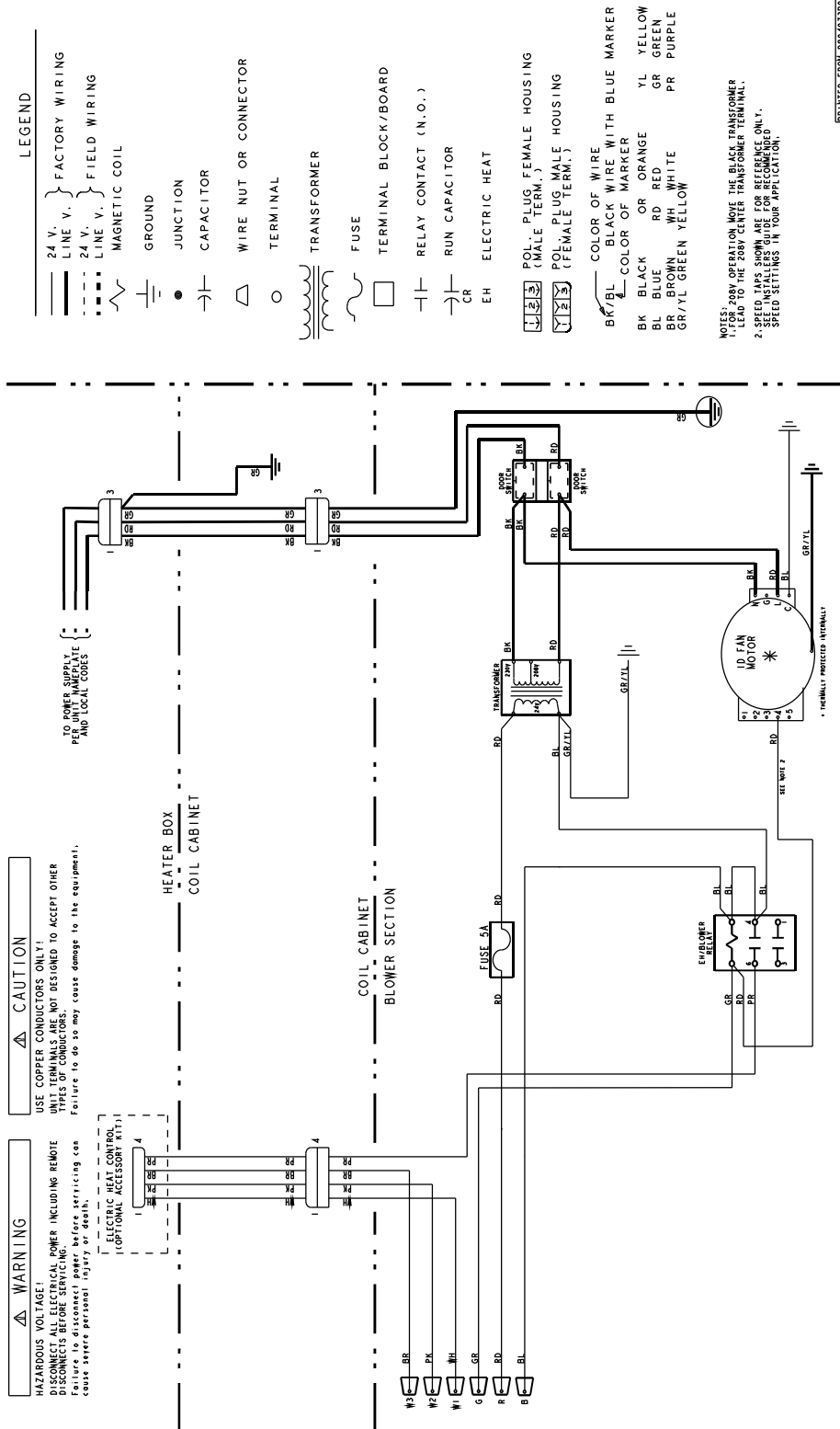
PRINTED FROM DR06B78P01 REV16



TRANE®

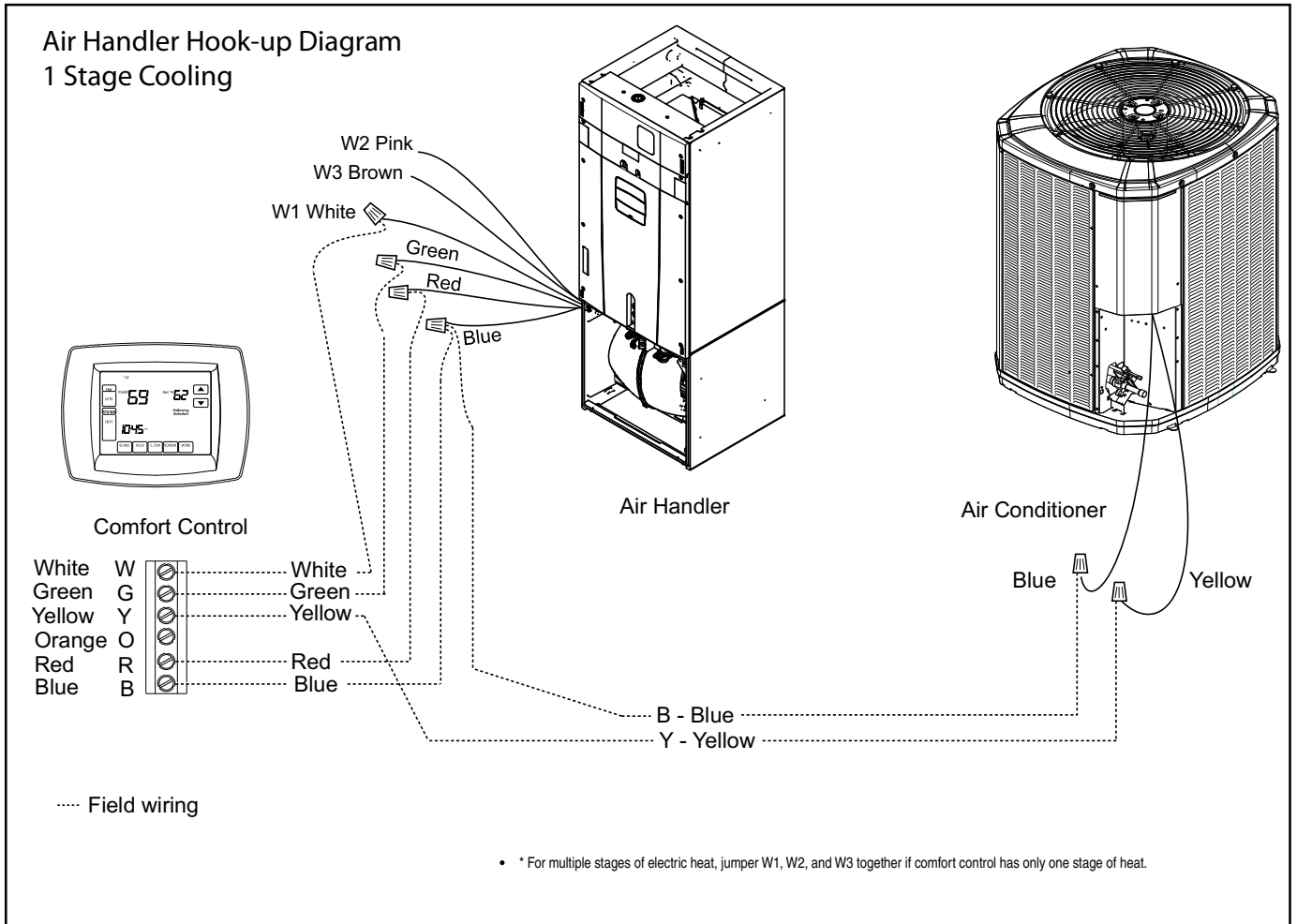
Electrical Data

WIRING DIAGRAM FOR GAM2A0C60 AIR HANDLER (5 TON)



Field Wiring

GAM2 AIR HANDLERS WITH SINGLE SPEED COOLING

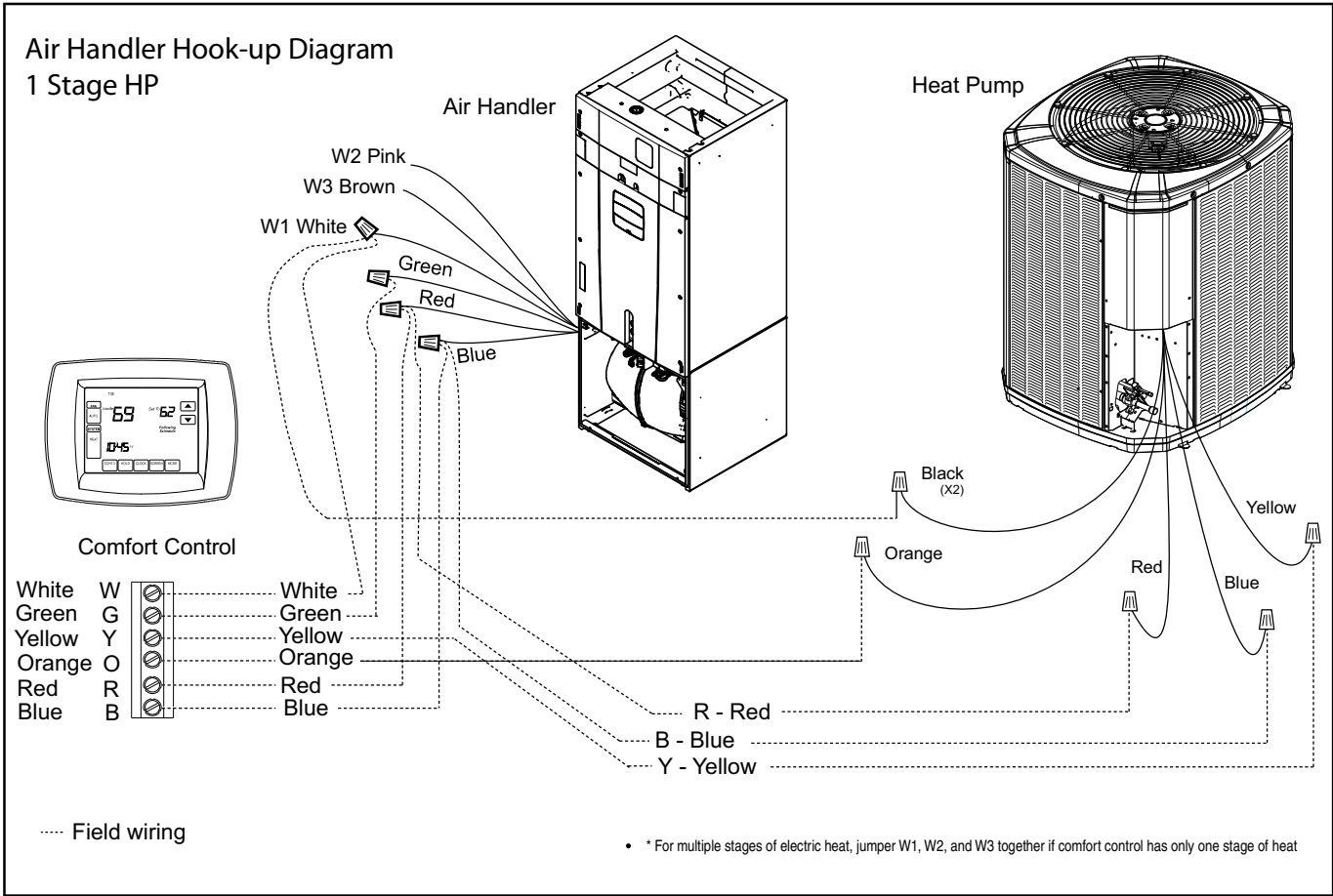




TRANE®

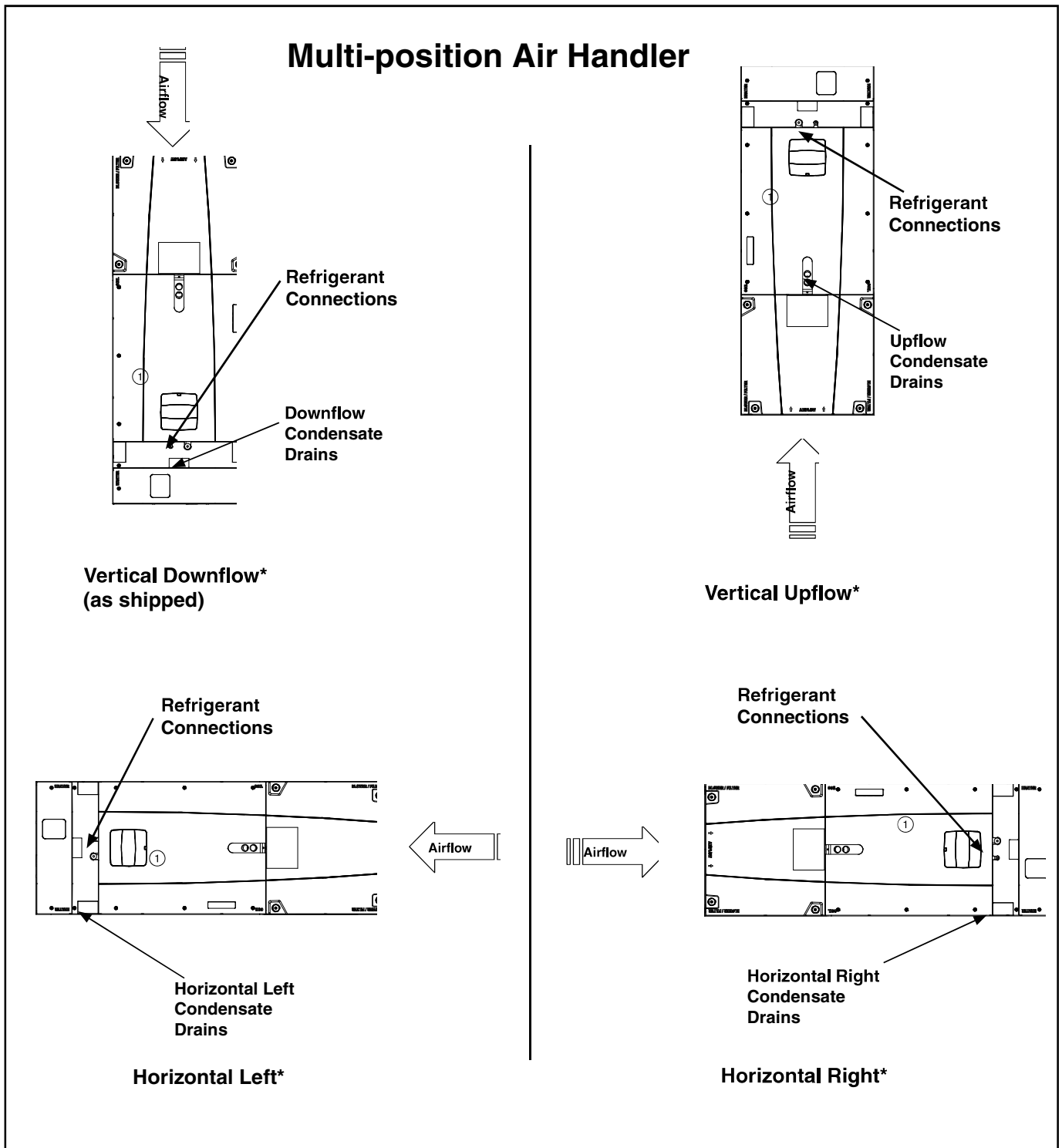
Field Wiring

GAM2 AIR HANDLERS WITH SINGLE SPEED HEAT PUMP



GAM2 Convertibility

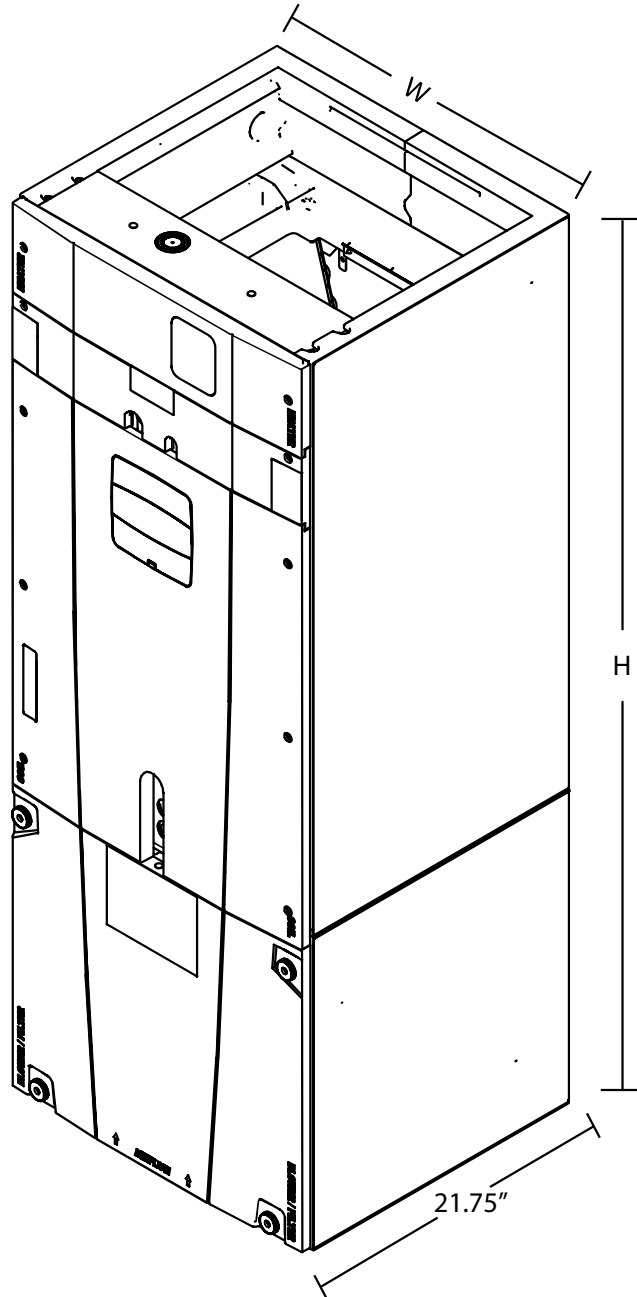
* Note: No internal modifications required for any position.
 ① Badge rotation will keep brand in correct position





Dimensions

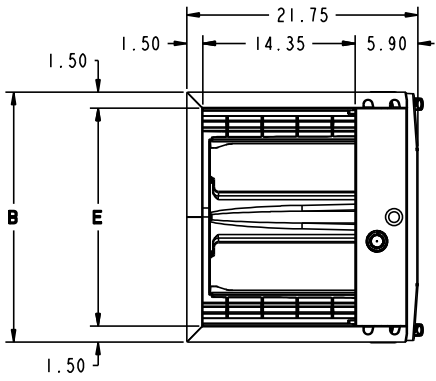
GAM2 AIR HANDLER DIMENSIONAL DATA



Model No.	H	W
GAM2A0A18	49.9	17.5
GAM2A0A24	49.9	17.5
GAM2A0A30	49.9	17.5
GAM2A0A36	49.9	17.5
GAM2A0B42	55.7	21.3
GAM2A0C48	56.9	23.5
GAM2A0C60	61.7	23.5

GAM2 AIR HANDLERS ARE ALL TWO PIECE CABINETS.

GAM2 OUTLINE DRAWING

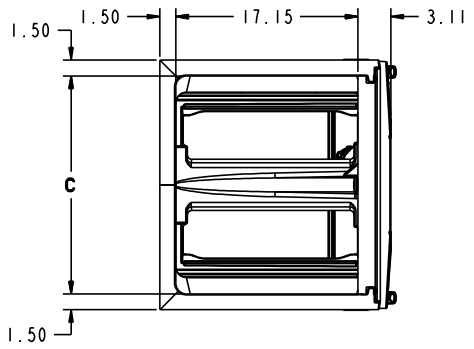
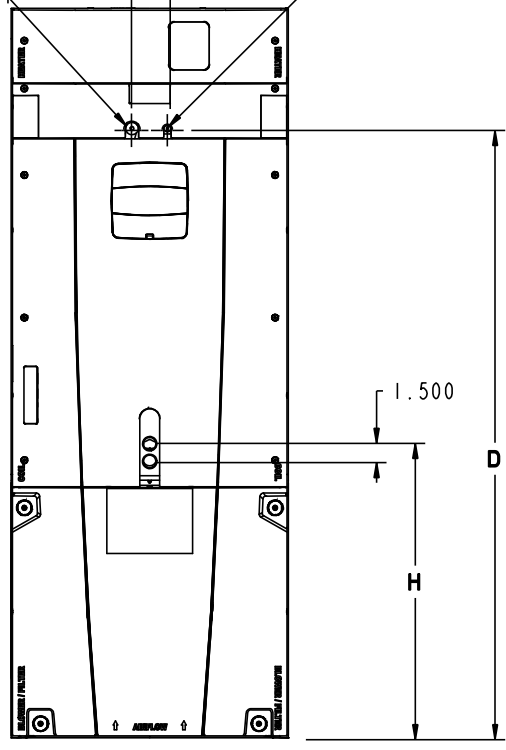
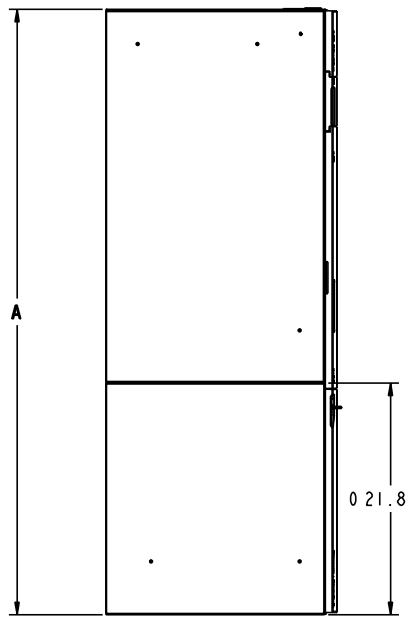


GAS LINE
SEE TABLE

F

3.00

LIQUID LINE
SEE TABLE



MINIMUM UNIT CLEARANCE TABLE		
	TO COMBUSTIBLE MATERIAL (REQUIRED)	SERVICE CLEARANCE (RECOMMENDED)
SIDES	0"	2"
FRONT	0"	21"
BACK	0"	0"
INLET DUCT	0"	
OUTLET DUCT	0"	

MODEL NO.	A	B	C	D	E	F	H	FLOW CONTROL	GAS LINE BRAZE
GAM2A0A18	49.9	39.6	14.5	17.5	14.5	7.3	26.7	TXV	3/4
GAM2A0A24	49.9	39.6	14.5	17.5	14.5	7.3	26.7	TXV	3/4
GAM2A0A30	49.9	39.6	14.5	17.5	14.5	7.3	26.7	TXV	3/4
GAM2A0A36	49.9	39.6	14.5	17.5	14.5	7.3	24.4	TXV	3/4
GAM2A0B42	55.7	45.5	18.4	21.3	18.4	9.2	24.8	TXV	7/8
GAM2A0C48	56.9	46.7	20.5	23.5	20.5	10.3	24.2	TXV	7/8
GAM2A0C60	61.7	51.5	20.5	23.5	20.5	10.3	27.0	TXV	7/8



02/14

Trane
6200 Troup Highway
Tyler, TX 75707
www.trane.com

The manufacturer has a policy of continuous product and product data improvement and it reserves the right to change design and specifications without notice.