



# YORK Technical Guide: HMM7 Series - 17 SEER Horizontal Discharge Modulating Heat Pump



York International Corporation, 5005  
York Drive, Norman, OK 73069

6062825-YTG-B-1022

2022-10-03

---



# Contents

Description.....	5
Certification.....	5
Warranty summary.....	6
Features.....	6
Nomenclature.....	7
Physical and electrical data.....	8
Dimensions.....	9
System charge.....	9
Charging procedure.....	10
System capacity - single piece and modular air handlers.....	11
System capacity - with high efficiency motor furnaces.....	17
Applications and accessories.....	60
Sound power ratings.....	60
Mechanical specifications.....	61
Manufacture and certifications.....	61
Typical installation.....	62
Typical field wiring.....	63
Alternative installation clearances.....	64
Performance data - 2 ton.....	65
Cooling performance data - 2 ton.....	65
Multipliers for determining the performance with other indoor sections.....	65
Heating performance data - 2 ton.....	68
Multipliers for determining the performance with other indoor sections.....	69
Performance data - 3 ton.....	73
Cooling performance data - 3 ton.....	73
Multipliers for determining the performance with other indoor sections.....	73
Heating performance data - 3 ton.....	80
Multipliers for determining the performance with other indoor sections.....	80
Performance data - 4 ton.....	86
Cooling performance data - 4 ton.....	86
Multipliers for determining the performance with other indoor sections.....	87
Heating performance data - 4 ton.....	91
Multipliers for determining the performance with other indoor sections.....	91
Performance data - 5 ton.....	97
Cooling performance data - 5 ton.....	97
Multipliers for determining the performance with other indoor sections.....	97
Heating performance data - 5 ton.....	100
Multipliers for determining the performance with other indoor sections.....	100



# Description

The HMM7 horizontal discharge modulating heat pumps are the outdoor section of a high-efficiency heating and cooling system. The outdoor units are designed to be connected to a matching indoor coil with sweat connect lines. Each unit is to be matched with one ducted indoor unit and is not designed for application in a ductless configuration. Sweat connect units are factory charged with refrigerant for a nominal sized matching indoor coil plus 25 ft of field-supplied lines.

Figure 1: Installation certification map

For installation in all US regions and Canada\*



\*Not currently certified for installation in localities requiring hurricane certification. Check local codes for specific requirements.

Due to continuous product improvement, specifications are subject to change without notice.

Visit us on the web at [www.simplygettingthejobdone.com](http://www.simplygettingthejobdone.com) and [www.york.com](http://www.york.com).

Additional rating information can be found at [www.ahridirectory.org](http://www.ahridirectory.org).

# Certification

The units are tested in accordance with the following:



## Warranty summary

Extended 10-year limited parts warranty.

Extended 10-year limited compressor warranty.

**Extended parts and compressor warranties** require online registration within 90 days of purchase for replacement or closing for new home construction.

Warranty does not apply to R-22 models, 3-phase models, or Internet sales.

See the *Limited Warranty* certificate in the *User's Information Manual* for details.

## Features

- **360 DC inverter driven technology:** With 360 all DC inverter driven technology, compressor rotation direction and speed is controlled optimizing energy usage and compressor stability through the spectrum of operating conditions. This guarantees optimal space temperature control while providing quiet operation.
- **Pressure sensor:** This unit contains pressure sensing technology, which detects low pressure in cooling mode and high pressure in heating mode to protect the system from damage. Intelligent control can also be realized by calculating the indoor coil temperature from system suction pressure.
- **Smaller outdoor form factor for installation flexibility:** This side-discharge outdoor unit saves roughly 35% space over traditional air conditioners. It offers the flexibility of wall, yard or roof installation.
- **Stable temperature control means optimal comfort:** The DC inverter is able to provide full capacity at startup to cool/warm quickly and adjusts speed to prevent temperature fluctuation and energy loss.
- **Agency Listed:** Safety certified by CSA to UL 1995/CSA 22.2. Performance certified to ANSI/AHRI Standard 210/240 in accordance with the Unitary Small Equipment certification program.

# Nomenclature

**Table 1: Horizontal discharge AC and HP**

<b>Configuration</b>	<b>H</b>	<b>H</b> = Horizontal discharge
<b>Stages</b>	<b>1</b>	<b>1</b> = 1 stage
		<b>2</b> = 2 stage
		<b>3</b> = 3 stage
		<b>M</b> = Modulating
		<b>V</b> = Variable capacity
<b>Product type</b>	<b>C</b>	<b>C</b> = Air conditioner
		<b>H</b> = Heat pump
<b>Efficiency</b>	<b>7</b>	<b>3</b> = 13 SEER
		<b>4</b> = 14 SEER
		<b>5</b> = 15 SEER
		<b>6</b> = 16 SEER
		<b>7</b> = 17 SEER
		<b>8</b> = 18 SEER
		<b>9</b> = 19 SEER
<b>Voltage</b>	<b>2</b>	<b>2</b> = 208/230-1-60
		<b>3</b> = 208/230-3-60
		<b>4</b> = 460-3-60
<b>Refrigerant</b>	<b>B</b>	<b>B</b> = R-410A
		<b>D</b> = R-454B
<b>Capacity</b>	<b>24</b>	<b>12</b> = 1 ton
		<b>18</b> = 1.5 ton
		<b>24</b> = 2 ton
		<b>30</b> = 2.5 ton
		<b>36</b> = 3 ton
		<b>42</b> = 3.5 ton
		<b>48</b> = 4 ton
		<b>60</b> = 5 ton
<b>Generation</b>	<b>1</b>	<b>1</b> = 1st Generation
		<b>2</b> = 2nd Generation
<b>Control strategy</b>	<b>S</b>	<b>C</b> = Communicating
		<b>B</b> = Wireless (communicating)
		<b>S</b> = Standard (conventional)
		<b>W</b> = Wireless (conventional)
<b>Style</b>	<b>A</b>	<b>A</b> = Style A
		<b>B</b> = Style B

## Physical and electrical data

**Table 2: Physical and electrical data**

Model	HMH72B241S	HMH72B361S	HMH72B481S	HMH72B601S
Unit supply voltage	208/230 V, 1 phase, 60 Hz	208/230 V, 1 phase, 60 Hz	208/230 V, 1 phase, 60 Hz	208/230 V, 1 phase, 60 Hz
Normal voltage range (V)	198 to 253	198 to 253	198 to 253	198 to 253
Minimum circuit ampacity (A)	15	23	36	37
Maximum overcurrent device (A)	25	35	50	50
Minimum overcurrent device (A)	15	23	36	37
Compressor type	Twin rotary	Twin rotary	Twin rotary	Twin rotary
Compressor rated load (A)	11.0	16.1	26.0	26.5
Compressor locked rotor (A)	n/a	n/a	n/a	n/a
Crankcase heater (base heater)	Yes	Yes	Yes	Yes
Factory discharge muffler	Yes	Yes	Yes	No
HS kit required with TXV	N/A	N/A	N/A	N/A
Fan motor type	ECM	ECM	ECM	ECM
Fan motor quantity	1	1	2	2
Fan motor rated HP	1/12	1/6	1/6	1/6
Fan motor nominal RPM	880	810	850	850
Fan motor nominal CFM	1,825	2,350	3,525	3,525
Coil face area (sq. ft)	6.1	8.3	14.0	14.0
Coil rows deep	2	2	2	2
Coil fins per inch	18	19	17	18
Liquid lineset outdoor (field installed)	3/8	3/8	3/8	3/8
Vapor lineset outdoor (field installed)	5/8	3/4	7/8	7/8
Unit charge (lb-oz)	4-7	6-3	8-15	8-9
Charge (oz/ft)	0.38	0.38	0.60	0.60
Operating weight (lb)	112	157	227	251

**Note:**

- The normal voltage range is rated in accordance with AHRI Standard 110-2012, utilization range A.
- Dual element fuses or HACR circuit breaker. Maximum allowable overcurrent protection.
- Dual element fuses or HACR circuit breaker. Minimum recommended overcurrent protection.
- The unit charge provided is less than the system total charge required. Select the appropriate indoor section and lineset length charge additions to calculate additional charge required and total system charge.
- For applications with non-standard vapor line sizes, see [Applications and accessories](#).



# Dimensions

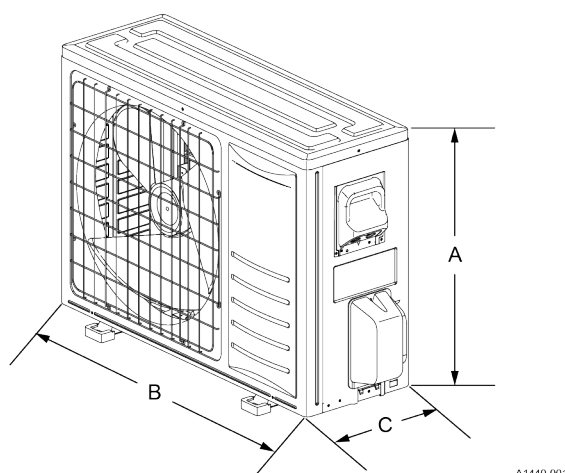
**Table 3: Dimensions**

Unit model	Dimensions (in.)			Refrigerant connections service valve size (in.)	
	A	B	C	Liquid	Vapor
HMH72B241S	26 3/8	33 7/8	12 1/4	3/8	5/8
HMH72B361S	33	37 3/8	13 3/8		3/4
HMH72B481S	54 5/8	37 3/8	13 3/8		7/8
HMH72B601S	54 5/8	37 3/8	13 3/8		7/8

**Note:**

- All dimensions are in inches and are subject to change without notice.
- Overall length and width include screw heads.

**Figure 2: Dimensions**



# System charge

**Table 4: System charge table**

Outdoor unit	HMH72B241S	HMH72B361S	HMH72B481S	HMH72B601S
Required TXV	BA1	BC1	BC1	BC1
Indoor unit	Additional charge (oz)			
AE36(B,C)	5	13	—	—
AE60D	—	—	13	14
AVC36(B,C)	5	13	—	—
AVC60D	—	—	13	14
CF/CM/CU36B	5	13	—	—
CF/CM36(C,A)	5	13	—	—
CF/CM64D	—	—	13	14
JHET(C,B)36D	5	4	—	—
JHETB30D	5	4	—	—
JHETC60H	—	—	4	—
JHETD60J	—	—	1	15
JHVT(C,B)36D	5	4	—	—
JHVTC60H	—	—	4	—
JHVTD60J	—	—	1	15

**Table 4: System charge table**

Outdoor unit	HMH72B241S	HMH72B361S	HMH72B481S	HMH72B601S
XAF/XAUB36D	5	4	—	—
XAFA30D	5	4	—	—
XAFC36D	5	4	—	—
XAFC60H	—	—	4	—
XAFD60J	—	—	1	15
XAH(B,C)36D	5	4	—	—
XAHC60H	—	—	4	—
XAHD60J	—	—	1	15

**Note:**

- For applications requiring a TXV, use the S1-1TVM\*\*\* series kit.
- It is necessary to use a TXV kit with these indoor units to obtain system performance.
- Systems matched with furnaces or air handlers not equipped with blower-off delays may require blower Time Delay Kit S1-2FD06700224.
- It is not possible to use CF and CU coils in horizontal applications.
- Charge adders shown above do not indicate that coils are rated for every application. See [Physical and electrical data](#) for actual performance for specified system matches. Obtain certified system ratings from [www.ahridirectory.org](http://www.ahridirectory.org).

## Charging procedure

1. Check the unit factory charge listed on the unit nameplate to verify the refrigerant charge for the outdoor unit, the smallest matched indoor unit, and 25 ft of interconnecting line tubing.
2. Verify the TXV and additional charge required for the specific matched indoor unit in the system using [System charge](#).
3. Add additional charge for the amount of interconnecting line tubing greater than 25 ft at the rate specified in [Physical and electrical data](#).
4. For indoor matches requiring additional charge, weigh in the refrigerant for the specific matched indoor unit and the actual lineset length.
5. After weighing in the charge adders for the matched indoor unit and lineset, verify the system operation against the temperatures and pressures in the charging chart for the outdoor unit. Locate the charging charts on the outdoor unit and also in the *Service Data Application Guide* on [www.simplygettingthejobdone.com](http://www.simplygettingthejobdone.com). Follow the charging procedure in the Installation Manual according to the type of indoor metering device in the system, and allow 10 min after each charge adjustment for the system operation to stabilize. Record the charge adjustment made to match the charging chart.
6. For downflow installations and horizontal right installations, some indoor units require additional charging adjustments to ensure correct equipment operation. Refer to the *Installation Manual* for the outdoor unit.
7. Permanently stamp the unit nameplate with the total system charge, which is defined as follows: total system charge = base charge (as shipped) + charge adder for matched indoor unit + charge adder for actual lineset length + charge adjustments to match the charging chart.

# System capacity - single piece and modular air handlers

**Table 5: System capacity - single piece and modular air handlers**

Unit model	Air handler		Coil model	Rated	Cooling				Heating					
	Model	Width			Net MBH		SEER	EER	Net MBH		HSPF	HSPF region V	COP	
					Total	Sens.			47°F OD	17°F OD			47°F OD	17°F OD
HMH72B361S	MVC12BN21	17.5	CF/CM36B	1225	35.8	26.0	17.25	9.00	34.6	24.4	9.50	7.30	3.24	2.54
HMH72B361S	MVC12BN21	17.5	CF/CM36B	775	22.0	13.0		16.40						
HMH72B361S	MVC12BN21	17.5	CF/CM36B	775	14.3	12.2		33.45	9.6				4.52	
HMH72B361S	ME16CN21	21.0	CF/CM36C	1100	35.6	25.0	17.25	9.25	33.2	23.8	9.50	7.10	3.16	2.56
HMH72B361S	ME16CN21	21.0	CF/CM36C	900	22.6	14.6		16.30						
HMH72B361S	ME16CN21	21.0	CF/CM36C	900	14.6	13.3		31.95	9.9				4.52	
HMH72B361S	ME12CN21	21.0	CF/CM36C	1225	36.0	26.2	17.50	9.25	34.4	24.2	9.50	6.95	3.28	2.58
HMH72B361S	ME12CN21	21.0	CF/CM36C	825	22.2	13.6		16.50						
HMH72B361S	ME12CN21	21.0	CF/CM36C	825	14.5	12.7		33.70	9.7				4.58	
HMH72B241S	MVC12CN21	21.0	CF/CM36C	875	22.2	17.7	17.75	10.25	21.6	14.2	9.50	6.70	3.38	2.44
HMH72B241S	MVC12CN21	21.0	CF/CM36C	675	13.4	10.0		16.85						
HMH72B241S	MVC12CN21	21.0	CF/CM36C	675	9.0	8.2		37.20	5.9				4.70	
HMH72B241S	MVC12BN21	17.5	CF/CM36B	875	22.2	17.7	17.75	10.25	21.6	14.3	9.50	6.80	3.34	2.42
HMH72B241S	MVC12BN21	17.5	CF/CM36B	625	13.2	9.3		16.55						
HMH72B241S	MVC12BN21	17.5	CF/CM36B	625	8.8	7.9		35.50	5.9				4.56	
HMH72B241S	ME08BN21	17.5	CF/CM36B	800	22.0	17.0	17.50	10.25	21.4	14.1	9.50	7.05	3.22	2.38
HMH72B241S	ME08BN21	17.5	CF/CM36B	475	12.9	7.7		16.35						
HMH72B241S	ME08BN21	17.5	CF/CM36B	475	8.6	7.3		35.05	5.7				4.42	
HMH72B601S	ME20DN21	24.5	CF/CM64D	1925	59.0	41.0	16.25	8.50	56.5	39.0	9.50	7.60	3.34	2.62
HMH72B601S	ME20DN21	24.5	CF/CM64D	1225	33.8	19.7		16.10						
HMH72B601S	ME20DN21	24.5	CF/CM64D	1225	18.5	16.9		31.15	18.1				4.58	
HMH72B361S	MVC16CN21	21.0	CF/CM36C	1275	36.0	26.6	17.75	9.25	34.6	24.2	9.50	6.80	3.34	2.60
HMH72B361S	MVC16CN21	21.0	CF/CM36C	825	22.4	13.7		16.75						
HMH72B361S	MVC16CN21	21.0	CF/CM36C	825	14.5	12.6		35.25	9.6				4.70	
HMH72B361S	MVC12CN21	21.0	CF/CM36C	1175	36.0	26.0	18.00	9.25	33.8	24.0	9.50	6.85	3.24	2.58
HMH72B361S	MVC12CN21	21.0	CF/CM36C	775	22.2	13.1		16.80						
HMH72B361S	MVC12CN21	21.0	CF/CM36C	775	14.4	12.2		36.05	9.5				4.70	
HMH72B361S	ME12BN21	17.5	CF/CM36B	1225	35.8	26.0	17.00	9.00	34.6	24.4	9.50	7.15	3.22	2.54
HMH72B361S	ME12BN21	17.5	CF/CM36B	650	21.6	11.6		16.25						
HMH72B361S	ME12BN21	17.5	CF/CM36B	650	14.0	11.1		34.20	9.3				4.44	
HMH72B361S	ME08BN21	17.5	CF/CM36B	900	34.8	23.2	17.00	9.25	31.6	23.6	9.50	7.55	2.94	2.50
HMH72B361S	ME08BN21	17.5	CF/CM36B	575	21.2	10.6		16.05						
HMH72B361S	ME08BN21	17.5	CF/CM36B	575	13.8	10.5		33.70	9.2				4.36	
HMH72B241S	ME12CN21	21.0	CF/CM36C	850	22.2	17.6	17.75	10.25	21.6	14.2	9.50	6.80	3.32	2.42
HMH72B241S	ME12CN21	21.0	CF/CM36C	600	13.2	9.1		16.55						
HMH72B241S	ME12CN21	21.0	CF/CM36C	600	8.8	7.9		35.80	5.9				4.54	
HMH72B601S	MVC20DN21	24.5	CF/CM64D	1950	59.0	41.0	16.75	8.50	56.5	39.0	9.50	7.80	3.34	2.62
HMH72B601S	MVC20DN21	24.5	CF/CM64D	1225	34.0	19.8		16.40						
HMH72B601S	MVC20DN21	24.5	CF/CM64D	1225	18.6	16.9		33.30	18.0				4.72	
HMH72B481S	MVC20DN21	24.5	CF/CM64D	1775	48.0	35.6	18.25	10.25	47.0	30.2	9.50	7.50	3.52	2.54
HMH72B481S	MVC20DN21	24.5	CF/CM64D	1150	28.8	18.3		17.60						
HMH72B481S	MVC20DN21	24.5	CF/CM64D	1150	16.5	15.4		34.75	17.5				4.64	
HMH72B481S	MVC14DN21	24.5	CF/CM64D	1450	48.0	33.4	18.25	10.25	45.5	29.2	9.00	7.25	3.38	2.50
HMH72B481S	MVC14DN21	24.5	CF/CM64D	900	27.6	15.5		17.30						
HMH72B481S	MVC14DN21	24.5	CF/CM64D	900	16.0	13.4		36.70	16.9				4.40	
HMH72B481S	ME14DN21	24.5	CF/CM64D	1475	48.0	33.4	17.75	10.00	46.0	30.0	9.30	7.60	3.38	2.52
HMH72B481S	ME14DN21	24.5	CF/CM64D	1000	28.0	16.7		16.95						

**Table 5: System capacity - single piece and modular air handlers**

Unit model	Air handler		Coil model	Rated	Cooling				Heating					
	Model	Width			Net MBH		SEER	EER	Net MBH		HSPF	HSPF region V	COP	
					Total	Sens.			47°F OD	17°F OD			47°F OD	17°F OD
HMH72B481S	ME14DN21	24.5	CF/CM64D	1000	16.1	14.2		32.65	16.9				4.26	
HMH72B361S	MVC16CN21	21.0	XAFC36D	1275	36.0	26.4	17.25	9.25	36.0	24.8	9.50	6.95	3.48	2.68
HMH72B361S	MVC16CN21	21.0	XAFC36D	825	22.2	13.4		16.50						
HMH72B361S	MVC16CN21	21.0	XAFC36D	825	14.6	12.7		32.90	10.0				4.80	
HMH72B361S	MVC12CN21	21.0	XAFC36D	1225	36.0	26.0	17.50	9.50	35.8	24.6	9.50	6.95	3.44	2.68
HMH72B361S	MVC12CN21	21.0	XAFC36D	775	22.0	12.8		16.50						
HMH72B361S	MVC12CN21	21.0	XAFC36D	775	14.5	12.2		33.75	9.9				4.84	
HMH72B361S	ME16CN21	21.0	XAFC36D	1300	36.0	26.6	17.00	9.25	36.0	25.0	9.50	6.80	3.46	2.66
HMH72B361S	ME16CN21	21.0	XAFC36D	875	22.4	14.1		16.20						
HMH72B361S	ME16CN21	21.0	XAFC36D	875	14.6	13.1		30.80	10.2				4.64	
HMH72B361S	ME12CN21	21.0	XAFC36D	1250	36.0	26.2	17.00	9.25	36.0	24.8	9.50	6.80	3.42	2.64
HMH72B361S	ME12CN21	21.0	XAFC36D	775	22.0	12.9		16.15						
HMH72B361S	ME12CN21	21.0	XAFC36D	775	14.4	12.2		31.85	10.0				4.64	
HMH72B361S	ME12BN21	17.5	XAF/XAUB36D	1200	35.6	25.6	16.75	9.25	36.0	24.8	9.50	7.30	3.36	2.62
HMH72B361S	ME12BN21	17.5	XAF/XAUB36D	625	21.2	11.0		15.95						
HMH72B361S	ME12BN21	17.5	XAF/XAUB36D	625	14.0	10.7		32.90	9.7				4.58	
HMH72B241S	MVC12CN21	21.0	XAFC36D	875	22.4	17.1	17.75	10.50	21.2	14.3	9.50	7.00	3.30	2.50
HMH72B241S	MVC12CN21	21.0	XAFC36D	650	13.4	9.5		16.75						
HMH72B241S	MVC12CN21	21.0	XAFC36D	650	9.0	8.2		35.55	5.7				4.50	
HMH72B241S	MVC12BN21	17.5	XAF/XAUB36D	875	22.4	17.1	17.75	10.25	21.2	14.3	9.50	7.20	3.28	2.48
HMH72B241S	MVC12BN21	17.5	XAF/XAUB36D	625	13.3	9.2		16.60						
HMH72B241S	MVC12BN21	17.5	XAF/XAUB36D	625	9.0	8.1		35.00	5.7				4.40	
HMH72B241S	ME12CN21	21.0	XAFC36D	825	22.2	16.7	17.50	10.25	21.0	14.2	9.50	7.30	3.22	2.46
HMH72B241S	ME12CN21	21.0	XAFC36D	575	13.1	8.7		16.45						
HMH72B241S	ME12CN21	21.0	XAFC36D	575	8.9	7.8		34.75	5.6				4.34	
HMH72B601S	MVC20DN21	24.5	XAFD60J	1900	59.0	41.5	17.00	8.25	58.5	37.2	9.50	7.45	3.34	2.52
HMH72B601S	MVC20DN21	24.5	XAFD60J	1225	34.6	20.6		16.60						
HMH72B601S	MVC20DN21	24.5	XAFD60J	1225	20.8	19.1		37.30	18.0				4.70	
HMH72B481S	MVC12CN21	21.0	XAFC60H	1400	48.0	33.0	18.25	10.25	47.0	28.8	9.00	7.15	3.36	2.48
HMH72B481S	MVC12CN21	21.0	XAFC60H	725	27.2	13.9		17.45						
HMH72B481S	MVC12CN21	21.0	XAFC60H	725	16.2	12.8		39.80	16.6				4.24	
HMH72B241S	ME08BN21	17.5	XAF/XAUB36D	775	22.0	16.3	17.25	10.25	21.0	14.1	9.30	6.35	3.14	2.40
HMH72B241S	ME08BN21	17.5	XAF/XAUB36D	450	12.8	7.4		16.25						
HMH72B241S	ME08BN21	17.5	XAF/XAUB36D	450	8.6	7.2		35.05	5.5				4.24	
HMH72B481S	ME14DN21	24.5	XAFD60J	1475	47.5	34.2	18.25	10.00	46.5	30.0	9.30	7.40	3.46	2.52
HMH72B481S	ME14DN21	24.5	XAFD60J	1000	28.4	17.9		17.30						
HMH72B481S	ME14DN21	24.5	XAFD60J	1000	16.6	15.0		34.50	17.2				4.32	
HMH72B481S	ME12CN21	21.0	XAFC60H	1300	48.0	32.4	18.00	10.25	46.5	29.2	9.00	7.20	3.32	2.48
HMH72B481S	ME12CN21	21.0	XAFC60H	975	28.2	16.8		17.15						
HMH72B481S	ME12CN21	21.0	XAFC60H	975	16.5	14.7		33.45	17.2				4.28	
HMH72B361S	MVC12BN21	17.5	XAF/XAUB36D	1225	35.8	25.8	17.00	9.25	36.0	24.8	9.50	7.05	3.40	2.64
HMH72B361S	MVC12BN21	17.5	XAF/XAUB36D	800	22.0	13.1		16.30						
HMH72B361S	MVC12BN21	17.5	XAF/XAUB36D	800	14.5	12.4		32.10	10.0				4.72	
HMH72B601S	ME20DN21	24.5	XAFD60J	1900	59.0	41.5	16.75	8.25	58.5	37.2	9.50	7.60	3.34	2.52
HMH72B601S	ME20DN21	24.5	XAFD60J	1225	34.4	20.4		16.30						
HMH72B601S	ME20DN21	24.5	XAFD60J	1225	20.8	19.2		35.10	18.2				4.58	
HMH72B481S	MVC16CN21	21.0	XAFC60H	1500	48.0	33.6	18.50	10.50	47.5	29.8	9.30	7.40	3.44	2.54
HMH72B481S	MVC16CN21	21.0	XAFC60H	950	28.2	16.5		17.55						
HMH72B481S	MVC16CN21	21.0	XAFC60H	950	16.6	14.5		36.45	17.0				4.38	
HMH72B481S	MVC14DN21	24.5	XAFD60J	1475	47.5	34.2	18.50	10.25	46.0	29.8	9.50	7.45	3.50	2.56
HMH72B481S	MVC14DN21	24.5	XAFD60J	900	28.0	16.5		17.70						
HMH72B481S	MVC14DN21	24.5	XAFD60J	900	16.6	14.3		39.10	16.7				4.34	

**Table 5: System capacity - single piece and modular air handlers**

Unit model	Air handler		Coil model	Rated	Cooling				Heating					
	Model	Width			Net MBH		SEER	EER	Net MBH		HSPF	HSPF region V	COP	
					Total	Sens.			47°F OD	17°F OD			47°F OD	17°F OD
HMH72B481S	ME16CN21	21.0	XAFC60H	1575	48.0	34.0	17.75	10.00	48.0	30.4	9.00	7.15	3.42	2.50
HMH72B481S	ME16CN21	21.0	XAFC60H	875	27.8	15.7		17.10						
HMH72B481S	ME16CN21	21.0	XAFC60H	875	16.3	13.9		34.55	16.8				4.18	
HMH72B361S	MVC12CN21	21.0	XAHC36D	1225	35.2	25.4	17.00	9.00	35.2	24.2	9.50	7.15	3.36	2.62
HMH72B361S	MVC12CN21	21.0	XAHC36D	775	21.6	12.6		16.10						
HMH72B361S	MVC12CN21	21.0	XAHC36D	775	14.2	11.9		32.65	9.7				4.72	
HMH72B361S	MVC12BN21	17.5	XAHB36D	1200	34.8	25.0	16.50	8.75	35.4	24.4	9.50	7.45	3.28	2.54
HMH72B361S	MVC12BN21	17.5	XAHB36D	800	21.6	12.8		15.75						
HMH72B361S	MVC12BN21	17.5	XAHB36D	800	14.1	12.1		30.50	9.9				4.56	
HMH72B361S	ME16CN21	21.0	XAHC36D	1275	35.2	25.8	16.50	9.00	35.6	24.6	9.50	7.20	3.36	2.60
HMH72B361S	ME16CN21	21.0	XAHC36D	850	21.8	13.4		15.75						
HMH72B361S	ME16CN21	21.0	XAHC36D	850	14.2	12.6		29.80	10.0				4.50	
HMH72B361S	ME12CN21	21.0	XAHC36D	1250	35.2	25.6	16.50	9.00	35.4	24.4	9.50	7.10	3.34	2.60
HMH72B361S	ME12CN21	21.0	XAHC36D	775	21.4	12.4		15.80						
HMH72B361S	ME12CN21	21.0	XAHC36D	775	14.1	11.9		31.00	9.8				4.54	
HMH72B241S	ME08BN21	17.5	XAHB36D	875	21.8	16.6	16.75	10.00	21.0	14.2	9.00	6.90	3.18	2.40
HMH72B241S	ME08BN21	17.5	XAHB36D	450	12.6	7.2		15.90						
HMH72B241S	ME08BN21	17.5	XAHB36D	450	8.2	6.6		32.55	5.3				4.00	
HMH72B601S	ME20DN21	24.5	XAHD60J	1875	57.5	40.0	16.25	8.00	57.0	36.6	9.30	7.00	3.26	2.46
HMH72B601S	ME20DN21	24.5	XAHD60J	1200	33.6	19.7		15.85						
HMH72B601S	ME20DN21	24.5	XAHD60J	1200	20.2	18.5		34.05	17.8				4.46	
HMH72B241S	MVC12CN21	21.0	XAHC36D	875	22.0	16.8	17.25	10.00	21.0	14.0	9.30	6.50	3.24	2.44
HMH72B241S	MVC12CN21	21.0	XAHC36D	650	13.1	9.3		16.30						
HMH72B241S	MVC12CN21	21.0	XAHC36D	650	8.5	7.3		32.20	5.5				4.16	
HMH72B241S	MVC12BN21	17.5	XAHB36D	875	21.8	16.6	17.00	10.00	21.0	14.1	9.30	6.25	3.20	2.42
HMH72B241S	MVC12BN21	17.5	XAHB36D	625	13.0	9.0		16.05						
HMH72B241S	MVC12BN21	17.5	XAHB36D	625	8.5	7.3		31.25	5.5				4.06	
HMH72B481S	MVC14DN21	24.5	XAHD60J	1475	46.5	33.6	18.25	10.00	45.5	29.4	9.30	7.35	3.42	2.50
HMH72B481S	MVC14DN21	24.5	XAHD60J	900	27.4	16.0		17.35						
HMH72B481S	MVC14DN21	24.5	XAHD60J	900	16.2	13.9		38.20	16.4				4.24	
HMH72B481S	MVC12CN21	21.0	XAHC60H	1350	47.0	32.0	18.00	10.25	45.5	28.6	9.00	7.10	3.30	2.46
HMH72B481S	MVC12CN21	21.0	XAHC60H	725	26.6	13.4		17.25						
HMH72B481S	MVC12CN21	21.0	XAHC60H	725	15.9	12.5		40.10	15.8				4.12	
HMH72B361S	MVC16CN21	21.0	XAHC36D	1275	35.4	26.0	17.00	9.00	35.4	24.4	9.50	7.10	3.40	2.62
HMH72B361S	MVC16CN21	21.0	XAHC36D	825	21.8	13.1		16.05						
HMH72B361S	MVC16CN21	21.0	XAHC36D	825	14.3	12.4		31.85	9.8				4.68	
HMH72B361S	ME12BN21	17.5	XAHB36D	1175	34.8	24.8	16.25	9.00	35.2	24.4	9.50	7.45	3.26	2.54
HMH72B361S	ME12BN21	17.5	XAHB36D	600	20.6	10.4		15.45						
HMH72B361S	ME12BN21	17.5	XAHB36D	600	13.7	10.3		31.65	9.5				4.42	
HMH72B481S	ME16CN21	21.0	XAHC60H	1525	47.5	33.2	17.50	9.75	47.0	29.2	8.50	6.70	3.28	2.40
HMH72B481S	ME16CN21	21.0	XAHC60H	875	27.2	15.2		16.75						
HMH72B481S	ME16CN21	21.0	XAHC60H	875	16.0	13.6		33.90	16.9				4.18	
HMH72B481S	ME14DN21	24.5	XAHD60J	1450	46.5	33.4	17.75	9.75	45.5	28.8	9.00	7.20	3.36	2.44
HMH72B481S	ME14DN21	24.5	XAHD60J	1000	27.8	17.4		16.90						
HMH72B481S	ME14DN21	24.5	XAHD60J	1000	16.3	14.7		33.70	17.2				4.34	
HMH72B601S	MVC20DN21	24.5	XAHD60J	1925	57.5	40.5	16.75	8.00	57.5	36.8	9.30	6.50	3.28	2.46
HMH72B601S	MVC20DN21	24.5	XAHD60J	1225	33.8	20.0		16.20						
HMH72B601S	MVC20DN21	24.5	XAHD60J	1225	20.4	18.7		36.35	17.7				4.60	
HMH72B481S	MVC16CN21	21.0	XAHC60H	1500	48.0	33.6	18.25	10.00	46.5	29.2	9.00	7.15	3.38	2.48
HMH72B481S	MVC16CN21	21.0	XAHC60H	950	27.6	16.0		17.40						
HMH72B481S	MVC16CN21	21.0	XAHC60H	950	16.3	14.2		37.15	16.6				4.34	
HMH72B481S	ME12CN21	21.0	XAHC60H	1300	47.0	31.8	17.75	10.00	45.5	28.6	9.00	7.15	3.26	2.44

**Table 5: System capacity - single piece and modular air handlers**

Unit model	Air handler		Coil model	Rated	Cooling				Heating					
	Model	Width			Net MBH		SEER	EER	Net MBH		HSPF	HSPF region V	COP	
					Total	Sens.			47°F OD	17°F OD			47°F OD	17°F OD
HMH72B481S	ME12CN21	21.0	XAHC60H	1000	27.8	16.7		17.00						
HMH72B481S	ME12CN21	21.0	XAHC60H	1000	16.3	14.6		33.55	16.9				4.26	
HMH72B241S	JMVT12BC2N1A	17.5	XAHB36D	825	21.8	16.4	17.00	10.00	21.0	13.9	9.00	7.25	3.14	2.40
HMH72B241S	JMVT12BC2N1A	17.5	XAHB36D	500	12.7	7.7		16.05						
HMH72B241S	JMVT12BC2N1A	17.5	XAHB36D	500	8.3	6.8		32.60	5.3				4.04	
HMH72B241S	JMVT12BC2N1A	17.5	XAF/XAUB36D	775	22.0	16.3	17.75	10.25	21.0	14.0	9.50	7.50	3.16	2.42
HMH72B241S	JMVT12BC2N1A	17.5	XAF/XAUB36D	500	13.0	8.0		16.50						
HMH72B241S	JMVT12BC2N1A	17.5	XAF/XAUB36D	500	8.7	7.4		35.80	5.5				4.34	
HMH72B241S	JMET12BS2N1A	17.5	XAHB36D	800	21.6	16.1	17.00	10.00	21.0	13.9	9.00	7.15	3.10	2.36
HMH72B241S	JMET12BS2N1A	17.5	XAHB36D	600	12.9	8.7		16.05						
HMH72B241S	JMET12BS2N1A	17.5	XAHB36D	600	8.4	7.1		31.45	5.5				3.98	
HMH72B241S	JMET08BS2N1A	17.5	XAHB36D	800	21.6	16.1	17.00	10.00	21.0	13.9	9.00	7.05	3.12	2.38
HMH72B241S	JMET08BS2N1A	17.5	XAHB36D	475	12.7	7.5		16.10						
HMH72B241S	JMET08BS2N1A	17.5	XAHB36D	475	8.3	6.7		33.30	5.3				4.00	
HMH72B361S	JMVT12BC2N1A	17.5	XAF/XAUB36D	1175	35.6	25.4	17.00	9.25	35.8	24.6	10.00	7.85	3.38	2.64
HMH72B361S	JMVT12BC2N1A	17.5	XAF/XAUB36D	650	21.4	11.4		16.15						
HMH72B361S	JMVT12BC2N1A	17.5	XAF/XAUB36D	650	14.1	11.0		33.50	9.7				4.68	
HMH72B361S	JMET16CS2N1A	21.0	XAHC36D	1250	35.4	25.8	17.00	9.00	35.4	24.4	10.00	7.75	3.36	2.60
HMH72B361S	JMET16CS2N1A	21.0	XAHC36D	875	22.0	13.7		16.15						
HMH72B361S	JMET16CS2N1A	21.0	XAHC36D	875	14.4	12.8		31.65	10.0				4.64	
HMH72B601S	JMET18DS2N1A	24.5	XAHD60J	1675	57.0	39.0	16.50	8.50	56.0	35.8	9.25	7.35	3.20	2.46
HMH72B601S	JMET18DS2N1A	24.5	XAHD60J	1175	33.6	19.4		16.05						
HMH72B601S	JMET18DS2N1A	24.5	XAHD60J	1175	20.2	18.3		35.45	17.6				4.52	
HMH72B241S	JMET12BS2N1A	17.5	XAF/XAUB36D	825	22.2	16.7	17.75	10.25	21.0	14.2	9.30	7.40	3.22	2.44
HMH72B241S	JMET12BS2N1A	17.5	XAF/XAUB36D	625	13.3	9.3		16.55						
HMH72B241S	JMET12BS2N1A	17.5	XAF/XAUB36D	625	9.0	8.1		34.70	5.7				4.32	
HMH72B361S	JMET12CS2N1A	21.0	XAFC36D	1250	36.0	26.2	17.25	9.25	36.0	24.8	10.00	7.70	3.44	2.66
HMH72B361S	JMET12CS2N1A	21.0	XAFC36D	800	22.2	13.2		16.50						
HMH72B361S	JMET12CS2N1A	21.0	XAFC36D	800	14.5	12.4		33.35	10.0				4.76	
HMH72B241S	JMET08BS2N1A	17.5	XAF/XAUB36D	825	22.2	16.7	17.50	10.25	21.0	14.2	9.30	7.40	3.22	2.44
HMH72B241S	JMET08BS2N1A	17.5	XAF/XAUB36D	675	13.4	9.8		16.45						
HMH72B241S	JMET08BS2N1A	17.5	XAF/XAUB36D	675	9.0	8.3		33.70	5.8				4.28	
HMH72B361S	JMVT12BC2N1A	17.5	XAHB36D	1150	34.6	24.6	16.50	9.00	35.0	24.2	9.50	7.45	3.28	2.56
HMH72B361S	JMVT12BC2N1A	17.5	XAHB36D	750	21.4	12.2		15.80						
HMH72B361S	JMVT12BC2N1A	17.5	XAHB36D	750	14.0	11.6		31.35	9.7				4.56	
HMH72B361S	JMET12CS2N1A	21.0	XAHC36D	1225	35.2	25.4	17.00	9.00	35.2	24.2	10.00	7.75	3.34	2.60
HMH72B361S	JMET12CS2N1A	21.0	XAHC36D	800	21.6	12.7		16.15						
HMH72B361S	JMET12CS2N1A	21.0	XAHC36D	800	14.2	12.1		32.50	9.8				4.64	
HMH72B361S	JMET16CS2N1A	21.0	XAFC36D	1075	35.4	24.8	17.50	9.25	35.2	24.2	10.00	7.80	3.32	2.62
HMH72B361S	JMET16CS2N1A	21.0	XAFC36D	875	22.4	14.0		16.50						
HMH72B361S	JMET16CS2N1A	21.0	XAFC36D	875	14.7	13.1		32.20	10.2				4.72	
HMH72B601S	JMVT20DC2N1A	24.5	XAFD60J	1550	57.5	38.5	17.00	8.50	56.5	36.0	9.50	7.35	3.24	2.50
HMH72B601S	JMVT20DC2N1A	24.5	XAFD60J	1150	34.0	19.5		16.35						
HMH72B601S	JMVT20DC2N1A	24.5	XAFD60J	1150	20.4	18.3		36.30	17.9				4.60	
HMH72B601S	JMET18DS2N1A	24.5	XAFD60J	1675	58.0	39.5	17.00	8.50	57.0	36.4	9.50	7.50	3.28	2.50
HMH72B601S	JMET18DS2N1A	24.5	XAFD60J	1175	34.2	19.9		16.40						
HMH72B601S	JMET18DS2N1A	24.5	XAFD60J	1175	20.6	18.7		36.35	18.0				4.62	
HMH72B361S	JMVT16CC2N1A	21.0	XAHC36D	1175	35.0	25.0	17.00	9.00	35.0	24.0	10.00	7.85	3.34	2.60
HMH72B361S	JMVT16CC2N1A	21.0	XAHC36D	825	21.8	13.1		16.15						
HMH72B361S	JMVT16CC2N1A	21.0	XAHC36D	825	14.3	12.4		32.25	9.8				4.74	
HMH72B361S	JMVT16CC2N1A	21.0	XAFC36D	1175	35.8	25.6	17.50	9.25	35.6	24.4	10.00	7.80	3.42	2.66
HMH72B361S	JMVT16CC2N1A	21.0	XAFC36D	825	22.2	13.4		16.55						

**Table 5: System capacity - single piece and modular air handlers**

Unit model	Air handler		Coil model	Rated	Cooling				Heating					
	Model	Width			Net MBH		SEER	EER	Net MBH		HSPF	HSPF region V	COP	
					Total	Sens.			47°F OD	17°F OD			47°F OD	17°F OD
HMH72B361S	JMVT16CC2N1A	21.0	XAFC36D	825	14.6	12.6		33.40	10.0				4.86	
HMH72B601S	JMVT20DC2N1A	24.5	XAHD60J	1550	56.5	37.8	16.75	8.25	55.5	35.4	9.30	7.35	3.18	2.44
HMH72B601S	JMVT20DC2N1A	24.5	XAHD60J	1150	33.4	19.1		16.00						
HMH72B601S	JMVT20DC2N1A	24.5	XAHD60J	1150	20.0	18.0		35.35	17.6				4.50	
HMH72B241S	AE36CX21	21.0	—	850	22.2	17.0	17.50	10.00	22.0	14.0	9.00	7.60	3.36	2.42
HMH72B241S	AE36CX21	21.0	—	725	13.0	7.3		16.30						
HMH72B241S	AE36CX21	21.0	—	725	8.9	8.9		35.10	5.7				4.30	
HMH72B361S	AE36CX21	21.0	—	1200	36.0	26.4	18.00	10.00	36.0	24.0	10.50	8.75	3.40	2.58
HMH72B361S	AE36CX21	21.0	—	725	22.4	17.3		16.95						
HMH72B361S	AE36CX21	21.0	—	725	14.7	13.8		36.35	9.9				4.86	
HMH72B601S	AE60DX21	24.5	—	1700	58.5	40.0	17.00	8.50	56.0	36.8	10.00	8.45	3.24	2.52
HMH72B601S	AE60DX21	24.5	—	1225	34.6	34.6		16.45						
HMH72B601S	AE60DX21	24.5	—	1225	18.8	18.7		31.75	18.2				4.62	
HMH72B241S	AVC36CX21	21.0	—	875	22.2	17.7	17.75	10.25	21.6	14.2	9.50	6.80	3.36	2.44
HMH72B241S	AVC36CX21	21.0	—	625	13.2	9.3		16.65						
HMH72B241S	AVC36CX21	21.0	—	625	8.9	8.0		36.15	5.9				4.62	
HMH72B601S	AVC60DX21	24.5	—	1775	57.5	39.0	16.25	8.25	56.0	39.0	9.50	7.65	3.22	2.56
HMH72B601S	AVC60DX21	24.5	—	1125	33.4	18.6		16.00						
HMH72B601S	AVC60DX21	24.5	—	1125	18.3	16.2		31.60	17.9				4.54	
HMH72B361S	AE36BX21	17.5	—	1250	36.0	26.4	17.00	9.00	34.8	24.4	9.50	7.65	3.26	2.54
HMH72B361S	AE36BX21	17.5	—	850	22.4	14.0		16.15						
HMH72B361S	AE36BX21	17.5	—	850	14.4	12.8		31.40	9.8				4.44	
HMH72B241S	AE36BX21	17.5	—	875	22.2	17.7	17.25	10.00	21.8	14.3	9.30	7.40	3.32	2.42
HMH72B241S	AE36BX21	17.5	—	700	13.3	10.2		16.20						
HMH72B241S	AE36BX21	17.5	—	700	8.9	8.3		33.30	6.1				4.44	
HMH72B481S	AE60DX21	24.5	—	1500	48.0	34.4	18.00	10.50	46.0	30.2	9.50	8.00	3.34	2.52
HMH72B481S	AE60DX21	24.5	—	1225	28.6	19.8		17.20						
HMH72B481S	AE60DX21	24.5	—	1225	15.9	15.9		31.60	17.6				4.44	
HMH72B361S	AVC36CX21	21.0	—	1225	36.0	26.2	18.00	9.25	34.4	24.2	9.50	6.95	3.28	2.58
HMH72B361S	AVC36CX21	21.0	—	850	22.4	13.9		16.80						
HMH72B361S	AVC36CX21	21.0	—	850	14.6	12.9		35.20	9.6				4.72	
HMH72B361S	AVC36BX21	17.5	—	1275	35.8	26.4	17.00	9.00	35.2	24.6	9.50	7.20	3.26	2.54
HMH72B361S	AVC36BX21	17.5	—	825	22.2	13.6		16.30						
HMH72B361S	AVC36BX21	17.5	—	825	14.4	12.6		32.45	9.7				4.50	
HMH72B241S	AVC36BX21	17.5	—	850	22.0	17.4	17.50	10.00	21.6	14.3	9.50	7.05	3.28	2.40
HMH72B241S	AVC36BX21	17.5	—	575	13.1	8.8		16.45						
HMH72B241S	AVC36BX21	17.5	—	575	8.8	7.8		35.15	5.8				4.50	
HMH72B481S	AVC60DX21	24.5	—	1750	48.0	35.2	17.50	9.75	47.5	30.6	9.30	6.60	3.42	2.48
HMH72B481S	AVC60DX21	24.5	—	1125	28.6	18.1		17.05						
HMH72B481S	AVC60DX21	24.5	—	1125	16.3	15.2		31.70	17.6				4.48	
HMH72B481S	JHVTC60HXXC2N1	21.0	—	1650	48.0	34.6	18.50	10.00	48.0	29.8	9.50	7.40	3.48	2.52
HMH72B481S	JHVTC60HXXC2N1	21.0	—	1050	28.8	17.8		17.95						
HMH72B481S	JHVTC60HXXC2N1	21.0	—	1050	16.9	15.3		37.30	17.6				4.64	
HMH72B241S	JHETB30DXXS2N1	17.5	—	925	22.6	17.6	17.50	10.25	21.6	14.6	9.50	7.60	3.32	2.50
HMH72B241S	JHETB30DXXS2N1	17.5	—	575	13.2	8.7		16.60						
HMH72B241S	JHETB30DXXS2N1	17.5	—	575	8.9	7.8		35.50	5.6				4.30	
HMH72B361S	JHVTC36DXXC2N1	21.0	—	1200	36.0	26.0	17.75	9.50	35.6	24.4	10.50	8.10	3.46	2.68
HMH72B361S	JHVTC36DXXC2N1	21.0	—	850	22.4	13.7		16.80						
HMH72B361S	JHVTC36DXXC2N1	21.0	—	850	14.7	12.9		34.45	10.0				4.96	
HMH72B601S	JHETD60JXXS2N1	24.5	—	1675	58.0	39.5	17.00	8.50	57.0	36.4	9.50	7.50	3.28	2.50
HMH72B601S	JHETD60JXXS2N1	24.5	—	1300	34.8	21.4		16.40						
HMH72B601S	JHETD60JXXS2N1	24.5	—	1300	21.2	20.0		35.20	18.3				4.64	



**Table 5: System capacity - single piece and modular air handlers**

Unit model	Air handler		Coil model	Rated	Cooling				Heating					
	Model	Width			Net MBH		SEER	EER	Net MBH		HSPF	HSPF region V	COP	
					Total	Sens.			47°F OD	17°F OD			47°F OD	17°F OD
HMH72B241S	JHETB36DXXS2N1	17.5	—	850	22.2	16.8	17.50	10.25	21.2	14.3	9.30	7.40	3.24	2.46
HMH72B241S	JHETB36DXXS2N1	17.5	—	625	13.3	9.3		16.50						
HMH72B241S	JHETB36DXXS2N1	17.5	—	625	9.0	8.1		34.55	5.7				4.30	
HMH72B361S	JHETB36DXXS2N1	17.5	—	1275	36.0	26.4	17.00	9.00	36.0	25.0	10.00	7.70	3.40	2.62
HMH72B361S	JHETB36DXXS2N1	17.5	—	875	22.4	14.1		16.25						
HMH72B361S	JHETB36DXXS2N1	17.5	—	875	14.6	13.1		30.95	10.2				4.62	
HMH72B361S	JHVTB36DXXC2N1	17.5	—	1275	36.0	26.4	17.50	9.00	36.0	25.2	10.00	7.75	3.40	2.62
HMH72B361S	JHVTB36DXXC2N1	17.5	—	775	22.0	12.8		16.65						
HMH72B361S	JHVTB36DXXC2N1	17.5	—	775	14.5	12.2		34.65	9.8				4.96	
HMH72B241S	JHVTC36DXXC2N1	21.0	—	825	22.4	16.8	18.00	10.50	21.0	14.1	9.50	6.85	3.26	2.48
HMH72B241S	JHVTC36DXXC2N1	21.0	—	625	13.3	9.2		16.90						
HMH72B241S	JHVTC36DXXC2N1	21.0	—	625	9.0	8.1		36.90	5.6				4.54	
HMH72B481S	JHVTD60JXXC2N1	24.5	—	1750	48.0	36.6	18.50	10.25	47.5	29.8	9.50	7.50	3.66	2.60
HMH72B481S	JHVTD60JXXC2N1	24.5	—	1125	29.2	19.6		18.15						
HMH72B481S	JHVTD60JXXC2N1	24.5	—	1125	17.1	15.9		38.25	17.7				4.74	
HMH72B481S	JHETD60JXXS2N1	24.5	—	1725	48.0	36.4	18.50	10.25	47.5	30.0	9.50	7.45	3.62	2.56
HMH72B481S	JHETD60JXXS2N1	24.5	—	1100	29.0	19.3		17.65						
HMH72B481S	JHETD60JXXS2N1	24.5	—	1100	16.9	15.7		35.35	17.8				4.58	
HMH72B241S	JHVTB36DXXC2N1	17.5	—	800	22.2	16.6	18.00	10.25	21.0	14.0	9.50	7.00	3.22	2.44
HMH72B241S	JHVTB36DXXC2N1	17.5	—	575	13.2	8.7		17.05						
HMH72B241S	JHVTB36DXXC2N1	17.5	—	575	8.9	7.8		38.55	5.5				4.66	
HMH72B241S	JHETC36DXXS2N1	21.0	—	850	22.4	17.0	18.00	10.50	21.0	14.2	9.50	7.50	3.26	2.48
HMH72B241S	JHETC36DXXS2N1	21.0	—	675	13.4	9.7		16.75						
HMH72B241S	JHETC36DXXS2N1	21.0	—	675	9.1	8.3		35.30	5.8				4.36	
HMH72B361S	JHETC36DXXS2N1	21.0	—	1000	35.0	24.0	17.25	9.25	34.8	24.0	10.00	7.80	3.28	2.60
HMH72B361S	JHETC36DXXS2N1	21.0	—	675	21.4	11.5		16.20						
HMH72B361S	JHETC36DXXS2N1	21.0	—	675	14.2	11.2		33.60	9.8				4.64	
HMH72B481S	JHETC60HXXS2N1	21.0	—	1625	48.0	34.4	18.00	10.25	48.0	29.6	9.30	6.70	3.46	2.50
HMH72B481S	JHETC60HXXS2N1	21.0	—	1075	28.8	18.1		17.55						
HMH72B481S	JHETC60HXXS2N1	21.0	—	1075	16.8	15.5		34.20	17.8				4.52	
HMH72B601S	JHVTD60JXXC2N1	24.5	—	1600	58.0	39.0	17.00	8.50	57.0	36.2	9.50	7.50	3.26	2.50
HMH72B601S	JHVTD60JXXC2N1	24.5	—	1000	33.4	17.7		16.45						
HMH72B601S	JHVTD60JXXC2N1	24.5	—	1000	19.8	16.8		39.10	17.4				4.62	



**Note:**

- Rated in accordance with DOE test procedures (Federal Register 12-27-79 and 3-18-88) and ANSI/AHRI Standard 210/240.
- Cooling MBH is based on 80°F entering air temperature, 50% RH (relative humidity), and rated airflow.  
EER (energy efficiency ratio) is the total cooling output in BTUs at 95°F outdoor ambient divided by the total electric power in watt-hours at those conditions.  
SEER (seasonal energy efficiency ratio) is the total cooling output in Btu during a normal annual usage period for cooling divided by the total electric power input in watt-hours during the same period.
- Heating MBH is based on AHRI standards of 70°F DB (dry bulb) entering indoor air, 72% RH (relative humidity) outdoor air with 25 ft of interconnecting piping and no supplemental electric heat operation.



HSPF (heating seasonal performance factor) is the total heating output during a normal annual usage period for heating divided by the total electric power input during the same period.

COP (coefficient of performance) equals heating MBH output divided by (total kW input x 3.412).

## System capacity - with high efficiency motor furnaces

**Table 6: System capacity - with high efficiency motor furnaces**

Unit model	Furnace		Coil model	Rated CFM	Cooling				Heating					
	Model	Width			Net MBH		SEER	EER	Net MBH		HSPF	HSPF region V	COP	
					Total	Sens.			47°F OD	17°F OD			47°F OD	17°F OD
HMH72B361S	TM9Y080B12MP11	17.5	XAF/XAUB36D	1125	35.0	24.6	16.50	8.75	36.0	25.0	9.50	7.45	3.26	2.54
HMH72B361S	TM9Y080B12MP11	17.5	XAF/XAUB36D	725	21.6	12.2		15.80						
HMH72B361S	TM9Y080B12MP11	17.5	XAF/XAUB36D	725	14.2	11.7		30.65	10.0				4.48	
HMH72B361S	TM9Y060B12MP11	21.0	XAFC36D	1100	34.8	24.4	16.25	8.75	36.0	25.0	9.50	7.60	3.22	2.54
HMH72B361S	TM9Y060B12MP11	21.0	XAFC36D	700	21.4	11.9		15.65						
HMH72B361S	TM9Y060B12MP11	21.0	XAFC36D	700	14.1	11.5		30.20	9.9				4.44	
HMH72B361S	TM9V100C20MP12C	21.0	XAFC36D	1300	36.0	26.4	17.00	9.00	36.0	25.2	9.50	7.30	3.42	2.64
HMH72B361S	TM9V100C20MP12C	21.0	XAFC36D	800	22.0	13.1		16.10						
HMH72B361S	TM9V100C20MP12C	21.0	XAFC36D	800	14.4	12.4		31.25	10.0				4.66	
HMH72B361S	TP9C100C20MP13C	21.0	XAFC36D	1300	36.0	26.4	17.00	9.00	36.0	25.2	9.50	7.30	3.42	2.64
HMH72B361S	TP9C100C20MP13C	21.0	XAFC36D	800	22.0	13.1		16.10						
HMH72B361S	TP9C100C20MP13C	21.0	XAFC36D	800	14.4	12.4		31.25	10.0				4.66	
HMH72B361S	YP9C100C20MP13C	21.0	XAFC36D	1300	36.0	26.4	17.00	9.00	36.0	25.2	9.50	7.30	3.42	2.64
HMH72B361S	YP9C100C20MP13C	21.0	XAFC36D	800	22.0	13.1		16.10						
HMH72B361S	YP9C100C20MP13C	21.0	XAFC36D	800	14.4	12.4		31.25	10.0				4.66	
HMH72B361S	TM9V080B12MP12C	21.0	XAFC36D	1175	35.2	25.0	16.50	8.75	36.0	25.0	9.50	7.25	3.30	2.58
HMH72B361S	TM9V080B12MP12C	21.0	XAFC36D	775	21.8	12.8		15.80						
HMH72B361S	TM9V080B12MP12C	21.0	XAFC36D	775	14.3	12.2		30.00	10.0				4.56	
HMH72B361S	TP9C080B12MP13C	21.0	XAFC36D	1175	35.2	25.0	16.50	8.75	36.0	25.0	9.50	7.25	3.30	2.58
HMH72B361S	TP9C080B12MP13C	21.0	XAFC36D	775	21.8	12.8		15.80						
HMH72B361S	TP9C080B12MP13C	21.0	XAFC36D	775	14.3	12.2		30.00	10.0				4.56	
HMH72B361S	YP9C080B12MP13C	21.0	XAFC36D	1175	35.2	25.0	16.50	8.75	36.0	25.0	9.50	7.25	3.30	2.58
HMH72B361S	YP9C080B12MP13C	21.0	XAFC36D	775	21.8	12.8		15.80						
HMH72B361S	YP9C080B12MP13C	21.0	XAFC36D	775	14.3	12.2		30.00	10.0				4.56	
HMH72B361S	TM9V060B12MP12C	21.0	XAFC36D	1100	34.8	24.4	16.25	8.75	35.8	24.8	9.50	7.50	3.24	2.54
HMH72B361S	TM9V060B12MP12C	21.0	XAFC36D	675	21.4	11.7		15.55						
HMH72B361S	TM9V060B12MP12C	21.0	XAFC36D	675	14.1	11.3		30.10	9.9				4.48	
HMH72B361S	TP9C060B12MP13C	21.0	XAFC36D	1100	34.8	24.4	16.25	8.75	35.8	24.8	9.50	7.50	3.24	2.54
HMH72B361S	TP9C060B12MP13C	21.0	XAFC36D	675	21.4	11.7		15.55						
HMH72B361S	TP9C060B12MP13C	21.0	XAFC36D	675	14.1	11.3		30.10	9.9				4.48	
HMH72B361S	YP9C060B12MP13C	21.0	XAFC36D	1100	34.8	24.4	16.25	8.75	35.8	24.8	9.50	7.50	3.24	2.54
HMH72B361S	YP9C060B12MP13C	21.0	XAFC36D	675	21.4	11.7		15.55						
HMH72B361S	YP9C060B12MP13C	21.0	XAFC36D	675	14.1	11.3		30.10	9.9				4.48	
HMH72B361S	TM9V040A10MP12C	17.5	XAF/XAUB36D	950	34.0	22.8	16.00	8.75	35.2	24.6	9.50	7.20	3.12	2.50
HMH72B361S	TM9V040A10MP12C	17.5	XAF/XAUB36D	625	21.0	11.0		15.20						
HMH72B361S	TM9V040A10MP12C	17.5	XAF/XAUB36D	625	13.9	10.8		28.90	9.8				4.34	
HMH72B361S	TM9E100C16MP12	21.0	XAFC36D	1225	35.6	25.6	16.75	9.00	36.0	25.0	9.50	7.25	3.36	2.60
HMH72B361S	TM9E100C16MP12	21.0	XAFC36D	800	22.0	13.1		16.05						
HMH72B361S	TM9E100C16MP12	21.0	XAFC36D	800	14.4	12.4		31.05	10.1				4.54	
HMH72B361S	TM9E080B12MP12	21.0	XAFC36D	1200	35.4	25.4	16.50	8.75	36.0	25.2	9.50	7.45	3.30	2.56

**Table 6: System capacity - with high efficiency motor furnaces**

Unit model	Furnace		Coil model	Rated CFM	Cooling			Heating						
	Model	Width			Net MBH		SEER	EER	Net MBH		HSPF	HSPF region V	COP	
					Total	Sens.			47°F OD	17°F OD			47°F OD	17°F OD
HMH72B361S	TM9E080B12MP12	21.0	XAFC36D	825	22.0	13.4		15.85						
HMH72B361S	TM9E080B12MP12	21.0	XAFC36D	825	14.4	12.6		29.70	10.2				4.50	
HMH72B361S	TM9E080B12MP12	17.5	XAF/XAUB36D	1200	35.4	25.4	16.50	8.75	36.0	25.2	9.50	7.45	3.30	2.56
HMH72B361S	TM9E080B12MP12	17.5	XAF/XAUB36D	825	22.0	13.4		15.85						
HMH72B361S	TM9E080B12MP12	17.5	XAF/XAUB36D	825	14.4	12.6		29.65	10.2				4.48	
HMH72B361S	TM9E060B12MP12	21.0	XAFC36D	1050	34.6	24.0	16.25	8.75	35.6	24.8	9.50	6.95	3.20	2.54
HMH72B361S	TM9E060B12MP12	21.0	XAFC36D	750	21.6	12.5		15.55						
HMH72B361S	TM9E060B12MP12	21.0	XAFC36D	750	14.2	11.9		29.05	10.1				4.38	
HMH72B361S	TM9E060B12MP12	17.5	XAF/XAUB36D	1050	34.6	24.0	16.25	8.75	35.6	24.8	9.50	6.95	3.20	2.52
HMH72B361S	TM9E060B12MP12	17.5	XAF/XAUB36D	750	21.6	12.5		15.50						
HMH72B361S	TM9E060B12MP12	17.5	XAF/XAUB36D	750	14.2	11.9		29.00	10.1				4.38	
HMH72B361S	TM9E060A10MP12	17.5	XAF/XAUB36D	1125	34.8	24.4	16.25	8.75	36.0	25.2	9.50	7.05	3.22	2.52
HMH72B361S	TM9E060A10MP12	17.5	XAF/XAUB36D	725	21.6	12.3		15.60						
HMH72B361S	TM9E060A10MP12	17.5	XAF/XAUB36D	725	14.2	11.7		29.50	10.0				4.40	
HMH72B361S	TM9E060A10MP12	14.5	XAFA30D	975	34.2	23.2	16.00	8.75	35.4	24.6	9.50	7.20	3.14	2.50
HMH72B361S	TM9E060A10MP12	14.5	XAFA30D	675	21.2	11.6		15.30						
HMH72B361S	TM9E060A10MP12	14.5	XAFA30D	675	14.0	11.3		28.80	10.0				4.30	
HMH72B361S	TM8Y100C20MP11	21.0	XAFC36D	1175	35.6	25.4	16.75	9.25	35.8	24.6	9.50	7.00	3.38	2.64
HMH72B361S	TM8Y100C20MP11	21.0	XAFC36D	975	22.8	15.2		16.10						
HMH72B361S	TM8Y100C20MP11	21.0	XAFC36D	975	14.8	14.0		29.30	10.5				4.58	
HMH72B361S	TM8Y080C16MP11	21.0	XAFC36D	1100	35.2	24.6	17.00	9.25	35.6	24.6	9.50	7.05	3.30	2.60
HMH72B361S	TM8Y080C16MP11	21.0	XAFC36D	725	21.6	12.1		16.10						
HMH72B361S	TM8Y080C16MP11	21.0	XAFC36D	725	14.3	11.7		32.35	9.9				4.62	
HMH72B361S	TM8Y080B12MP11	21.0	XAFC36D	1175	35.4	25.2	16.75	9.00	36.0	25.0	9.50	7.15	3.30	2.58
HMH72B361S	TM8Y080B12MP11	21.0	XAFC36D	700	21.6	12.0		15.95						
HMH72B361S	TM8Y080B12MP11	21.0	XAFC36D	700	14.2	11.5		31.75	9.9				4.56	
HMH72B361S	TM8V080B12MP12C	17.5	XAF/XAUB36D	1125	34.8	24.4	16.00	8.75	36.0	25.0	9.50	6.95	3.22	2.54
HMH72B361S	TM8V080B12MP12C	17.5	XAF/XAUB36D	725	21.6	12.3		15.50						
HMH72B361S	TM8V080B12MP12C	17.5	XAF/XAUB36D	725	14.1	11.7		29.05	10.0				4.44	
HMH72B361S	TPLC080B12MP13C	17.5	XAF/XAUB36D	1125	34.8	24.4	16.00	8.75	36.0	25.0	9.50	6.95	3.22	2.54
HMH72B361S	TPLC080B12MP13C	17.5	XAF/XAUB36D	725	21.6	12.3		15.50						
HMH72B361S	TPLC080B12MP13C	17.5	XAF/XAUB36D	725	14.1	11.7		29.05	10.0				4.44	
HMH72B361S	YPLC080B12MP13C	17.5	XAF/XAUB36D	1125	34.8	24.4	16.00	8.75	36.0	25.0	9.50	6.95	3.22	2.54
HMH72B361S	YPLC080B12MP13C	17.5	XAF/XAUB36D	725	21.6	12.3		15.50						
HMH72B361S	YPLC080B12MP13C	17.5	XAF/XAUB36D	725	14.1	11.7		29.05	10.0				4.44	
HMH72B361S	TM8E100C16MP11	21.0	XAFC36D	1250	35.8	26.0	17.00	9.00	36.0	25.0	9.50	7.00	3.38	2.62
HMH72B361S	TM8E100C16MP11	21.0	XAFC36D	825	22.2	13.5		16.25						
HMH72B361S	TM8E100C16MP11	21.0	XAFC36D	825	14.5	12.6		31.55	10.1				4.64	
HMH72B361S	TMLE100C16MP11	21.0	XAFC36D	1250	35.8	26.0	17.00	9.00	36.0	25.0	9.50	7.00	3.38	2.62
HMH72B361S	TMLE100C16MP11	21.0	XAFC36D	825	22.2	13.5		16.25						
HMH72B361S	TMLE100C16MP11	21.0	XAFC36D	825	14.5	12.6		31.55	10.1				4.64	
HMH72B361S	TM8E100B12MP11	21.0	XAFC36D	1200	35.4	25.4	16.75	9.00	36.0	25.0	9.50	7.25	3.32	2.58
HMH72B361S	TM8E100B12MP11	21.0	XAFC36D	750	21.8	12.6		16.05						
HMH72B361S	TM8E100B12MP11	21.0	XAFC36D	750	14.3	11.9		31.55	10.0				4.56	
HMH72B361S	TMLE100B12MP11	21.0	XAFC36D	1200	35.4	25.4	16.75	9.00	36.0	25.0	9.50	7.25	3.32	2.58
HMH72B361S	TMLE100B12MP11	21.0	XAFC36D	750	21.8	12.6		16.05						
HMH72B361S	TMLE100B12MP11	21.0	XAFC36D	750	14.3	11.9		31.55	10.0				4.56	
HMH72B361S	TM8E100B12MP11	17.5	XAF/XAUB36D	1200	35.4	25.4	16.75	9.00	36.0	25.0	9.50	7.25	3.32	2.58
HMH72B361S	TM8E100B12MP11	17.5	XAF/XAUB36D	750	21.8	12.6		16.00						
HMH72B361S	TM8E100B12MP11	17.5	XAF/XAUB36D	750	14.3	11.9		31.45	10.0				4.56	
HMH72B361S	TMLE100B12MP11	17.5	XAF/XAUB36D	1200	35.4	25.4	16.75	9.00	36.0	25.0	9.50	7.25	3.32	2.58
HMH72B361S	TMLE100B12MP11	17.5	XAF/XAUB36D	750	21.8	12.6		16.00						

**Table 6: System capacity - with high efficiency motor furnaces**

Unit model	Furnace		Coil model	Rated CFM	Cooling				Heating					
	Model	Width			Net MBH		SEER	EER	Net MBH		HSPF	HSPF region V	COP	
					Total	Sens.			47°F OD	17°F OD			47°F OD	17°F OD
HMH72B361S	TMLE100B12MP11	17.5	XAF/XAUB36D	750	14.3	11.9		31.45	10.0				4.56	
HMH72B361S	TM8E080B12MP11	21.0	XAFC36D	1200	35.4	25.4	16.75	8.75	36.0	25.2	9.50	7.35	3.30	2.56
HMH72B361S	TM8E080B12MP11	21.0	XAFC36D	775	21.8	12.8		16.00						
HMH72B361S	TM8E080B12MP11	21.0	XAFC36D	775	14.4	12.2		31.05	10.1				4.52	
HMH72B361S	TMLE080B12MP11	21.0	XAFC36D	1200	35.4	25.4	16.75	8.75	36.0	25.2	9.50	7.35	3.30	2.56
HMH72B361S	TMLE080B12MP11	21.0	XAFC36D	775	21.8	12.8		16.00						
HMH72B361S	TMLE080B12MP11	21.0	XAFC36D	775	14.4	12.2		31.05	10.1				4.52	
HMH72B361S	TM8E060A12MP11	17.5	XAF/XAUB36D	1200	35.4	25.4	16.50	8.75	36.0	25.2	9.50	7.35	3.30	2.56
HMH72B361S	TM8E060A12MP11	17.5	XAF/XAUB36D	775	21.8	12.8		15.90						
HMH72B361S	TM8E060A12MP11	17.5	XAF/XAUB36D	775	14.3	12.1		30.60	10.1				4.52	
HMH72B361S	TMLE060A12MP11	17.5	XAF/XAUB36D	1200	35.4	25.4	16.50	8.75	36.0	25.2	9.50	7.35	3.30	2.56
HMH72B361S	TMLE060A12MP11	17.5	XAF/XAUB36D	775	21.8	12.8		15.90						
HMH72B361S	TMLE060A12MP11	17.5	XAF/XAUB36D	775	14.3	12.1		30.60	10.1				4.52	
HMH72B361S	TM8E040A12MP11	14.5	XAFA30D	1125	35.0	24.6	16.50	8.75	36.0	25.0	9.50	7.10	3.24	2.54
HMH72B361S	TM8E040A12MP11	14.5	XAFA30D	750	21.8	12.6		15.75						
HMH72B361S	TM8E040A12MP11	14.5	XAFA30D	750	14.3	12.0		30.05	10.0				4.44	
HMH72B361S	TMLE040A12MP11	14.5	XAFA30D	1125	35.0	24.6	16.50	8.75	36.0	25.0	9.50	7.10	3.24	2.54
HMH72B361S	TMLE040A12MP11	14.5	XAFA30D	750	21.8	12.6		15.75						
HMH72B361S	TMLE040A12MP11	14.5	XAFA30D	750	14.3	12.0		30.05	10.0				4.44	
HMH72B361S	TL9E080C16UH11	21.0	XAFC36D	1225	35.6	25.6	16.50	9.00	36.0	25.0	9.50	7.10	3.36	2.60
HMH72B361S	TL9E080C16UH11	21.0	XAFC36D	900	22.4	14.3		15.95						
HMH72B361S	TL9E080C16UH11	21.0	XAFC36D	900	14.6	13.3		29.20	10.4				4.52	
HMH72B361S	TL9E060B12UH11	17.5	XAF/XAUB36D	1000	34.4	23.4	16.50	8.75	35.4	24.6	9.50	7.10	3.18	2.52
HMH72B361S	TL9E060B12UH11	17.5	XAF/XAUB36D	675	21.4	11.7		15.70						
HMH72B361S	TL9E060B12UH11	17.5	XAF/XAUB36D	675	14.1	11.3		30.75	9.9				4.44	
HMH72B361S	TL8E060A12UH11	17.5	XAF/XAUB36D	1175	35.2	25.0	16.75	8.75	36.0	25.0	9.50	7.25	3.28	2.56
HMH72B361S	TL8E060A12UH11	17.5	XAF/XAUB36D	700	21.6	12.0		15.95						
HMH72B361S	TL8E060A12UH11	17.5	XAF/XAUB36D	700	14.2	11.5		31.75	9.9				4.48	
HMH72B361S	TL8E060A12UH11	14.5	XAFA30D	1150	35.0	24.8	16.50	8.75	36.0	25.2	9.50	7.10	3.24	2.54
HMH72B361S	TL8E060A12UH11	14.5	XAFA30D	650	21.2	11.3		15.75						
HMH72B361S	TL8E060A12UH11	14.5	XAFA30D	650	14.0	11.0		31.20	9.8				4.42	
HMH72B241S	TM9Y060B12MP11	21.0	XAFC36D	850	22.0	16.6	16.50	10.00	21.4	14.5	9.00	6.75	3.16	2.40
HMH72B241S	TM9Y060B12MP11	21.0	XAFC36D	700	13.3	10.0		15.75						
HMH72B241S	TM9Y060B12MP11	21.0	XAFC36D	700	9.0	8.5		29.60	5.9				4.06	
HMH72B241S	TM9Y060B12MP11	17.5	XAF/XAUB36D	850	22.0	16.6	16.25	10.00	21.4	14.5	9.00	6.85	3.16	2.40
HMH72B241S	TM9Y060B12MP11	17.5	XAF/XAUB36D	675	13.3	9.8		15.65						
HMH72B241S	TM9Y060B12MP11	17.5	XAF/XAUB36D	675	8.9	8.3		29.30	5.9				4.00	
HMH72B241S	TM9Y040A10MP11	17.5	XAF/XAUB36D	800	21.6	16.0	16.25	9.50	21.4	14.6	8.50	6.55	3.04	2.32
HMH72B241S	TM9Y040A10MP11	17.5	XAF/XAUB36D	550	13.0	8.5		15.55						
HMH72B241S	TM9Y040A10MP11	17.5	XAF/XAUB36D	550	8.7	7.7		29.95	5.7				3.96	
HMH72B241S	TM9Y040A10MP11	14.5	XAFA30D	775	21.6	15.9	16.00	9.25	21.2	14.5	8.50	6.80	3.00	2.30
HMH72B241S	TM9Y040A10MP11	14.5	XAFA30D	525	12.9	8.2		15.40						
HMH72B241S	TM9Y040A10MP11	14.5	XAFA30D	525	8.6	7.5		29.30	5.7				3.92	
HMH72B241S	TM9Y040A10MP12C	17.5	XAF/XAUB36D	875	22.0	16.7	16.25	9.50	21.6	14.8	9.00	6.95	3.14	2.38
HMH72B241S	TM9Y040A10MP12C	17.5	XAF/XAUB36D	575	13.0	8.7		15.55						
HMH72B241S	TM9Y040A10MP12C	17.5	XAF/XAUB36D	575	8.7	7.8		29.70	5.7				4.04	
HMH72B241S	TM9Y040A10MP12C	14.5	XAFA30D	875	21.8	16.5	16.00	9.25	21.8	14.9	8.50	6.55	3.12	2.36
HMH72B241S	TM9Y040A10MP12C	14.5	XAFA30D	575	13.0	8.7		15.30						
HMH72B241S	TM9Y040A10MP12C	14.5	XAFA30D	575	8.7	7.8		28.60	5.8				3.98	
HMH72B241S	TM9E060A10MP12	14.5	XAFA30D	850	22.0	16.6	16.00	9.75	21.4	14.6	9.00	6.95	3.14	2.38
HMH72B241S	TM9E060A10MP12	14.5	XAFA30D	675	13.2	9.7		15.25						
HMH72B241S	TM9E060A10MP12	14.5	XAFA30D	675	8.9	8.4		27.65	6.0				3.90	

**Table 6: System capacity - with high efficiency motor furnaces**

Unit model	Furnace		Coil model	Rated CFM	Cooling				Heating					
	Model	Width			Net MBH		SEER	EER	Net MBH		HSPF	HSPF region V	COP	
					Total	Sens.			47°F OD	17°F OD			47°F OD	17°F OD
HMH72B241S	TM9E040A10MP12	17.5	XAF/XAUB36D	850	21.8	16.4	16.00	9.50	21.6	14.7	8.50	6.55	3.10	2.36
HMH72B241S	TM9E040A10MP12	17.5	XAF/XAUB36D	650	13.2	9.5		15.40						
HMH72B241S	TM9E040A10MP12	17.5	XAF/XAUB36D	650	8.8	8.2		28.40	5.9				3.92	
HMH72B241S	TL9E060B12UH11	21.0	XAFC36D	850	22.0	16.6	16.75	10.00	21.4	14.5	9.00	6.75	3.18	2.40
HMH72B241S	TL9E060B12UH11	21.0	XAFC36D	675	13.3	9.8		15.90						
HMH72B241S	TL9E060B12UH11	21.0	XAFC36D	675	8.9	8.3		30.65	5.9				4.08	
HMH72B241S	TL8E060A12UH11	14.5	XAFA30D	825	22.0	16.5	16.75	10.00	21.2	14.4	9.00	6.75	3.16	2.40
HMH72B241S	TL8E060A12UH11	14.5	XAFA30D	625	13.2	9.2		15.90						
HMH72B241S	TL8E060A12UH11	14.5	XAFA30D	625	8.9	8.1		31.10	5.8				4.06	
HMH72B481S	TM9Y080C16MP11	24.5	XAFD60J	1375	46.5	32.6	17.50	9.50	46.5	30.2	9.00	7.15	3.32	2.44
HMH72B481S	TM9Y080C16MP11	24.5	XAFD60J	725	27.0	14.2		16.70						
HMH72B481S	TM9Y080C16MP11	24.5	XAFD60J	725	16.0	13.0		34.60	16.4				3.98	
HMH72B481S	TM9V100C20MP12C	21.0	XAFC60H	1650	48.0	34.2	17.50	9.50	48.0	31.0	9.00	7.15	3.40	2.48
HMH72B481S	TM9V100C20MP12C	21.0	XAFC60H	1050	28.6	17.8		17.00						
HMH72B481S	TM9V100C20MP12C	21.0	XAFC60H	1050	16.6	15.3		31.60	17.5				4.32	
HMH72B481S	TP9C100C20MP13C	21.0	XAFC60H	1650	48.0	34.2	17.50	9.50	48.0	31.0	9.00	7.15	3.40	2.48
HMH72B481S	TP9C100C20MP13C	21.0	XAFC60H	1050	28.6	17.8		17.00						
HMH72B481S	TP9C100C20MP13C	21.0	XAFC60H	1050	16.6	15.3		31.60	17.5				4.32	
HMH72B481S	YP9C100C20MP13C	21.0	XAFC60H	1650	48.0	34.2	17.50	9.50	48.0	31.0	9.00	7.15	3.40	2.48
HMH72B481S	YP9C100C20MP13C	21.0	XAFC60H	1050	28.6	17.8		17.00						
HMH72B481S	YP9C100C20MP13C	21.0	XAFC60H	1050	16.6	15.3		31.60	17.5				4.32	
HMH72B481S	TM9V100C16MP12C	21.0	XAFC60H	1625	48.0	34.2	17.25	9.50	48.0	30.8	9.00	7.05	3.40	2.48
HMH72B481S	TM9V100C16MP12C	21.0	XAFC60H	1125	28.8	18.6		16.95						
HMH72B481S	TM9V100C16MP12C	21.0	XAFC60H	1125	16.7	15.9		30.30	17.7				4.38	
HMH72B481S	TP9C100C16MP13C	21.0	XAFC60H	1625	48.0	34.2	17.25	9.50	48.0	30.8	9.00	7.05	3.40	2.48
HMH72B481S	TP9C100C16MP13C	21.0	XAFC60H	1125	28.8	18.6		16.95						
HMH72B481S	TP9C100C16MP13C	21.0	XAFC60H	1125	16.7	15.9		30.30	17.7				4.38	
HMH72B481S	YP9C100C16MP13C	21.0	XAFC60H	1625	48.0	34.2	17.25	9.50	48.0	30.8	9.00	7.05	3.40	2.48
HMH72B481S	YP9C100C16MP13C	21.0	XAFC60H	1125	28.8	18.6		16.95						
HMH72B481S	YP9C100C16MP13C	21.0	XAFC60H	1125	16.7	15.9		30.30	17.7				4.38	
HMH72B481S	TM9V080C16MP12C	24.5	XAFD60J	1475	47.0	33.8	17.25	9.50	47.0	30.6	9.00	7.25	3.36	2.46
HMH72B481S	TM9V080C16MP12C	24.5	XAFD60J	950	28.0	17.2		16.75						
HMH72B481S	TM9V080C16MP12C	24.5	XAFD60J	950	16.4	14.6		31.85	17.2				4.16	
HMH72B481S	TP9C080C16MP13C	24.5	XAFD60J	1475	47.0	33.8	17.25	9.50	47.0	30.6	9.00	7.25	3.36	2.46
HMH72B481S	TP9C080C16MP13C	24.5	XAFD60J	950	28.0	17.2		16.75						
HMH72B481S	TP9C080C16MP13C	24.5	XAFD60J	950	16.4	14.6		31.85	17.2				4.16	
HMH72B481S	YP9C080C16MP13C	24.5	XAFD60J	1475	47.0	33.8	17.25	9.50	47.0	30.6	9.00	7.25	3.36	2.46
HMH72B481S	YP9C080C16MP13C	24.5	XAFD60J	950	28.0	17.2		16.75						
HMH72B481S	YP9C080C16MP13C	24.5	XAFD60J	950	16.4	14.6		31.85	17.2				4.16	
HMH72B481S	TM9E080B12MP12	21.0	XAFC60H	1300	47.0	31.4	17.00	9.75	47.0	29.2	8.50	6.80	3.20	2.36
HMH72B481S	TM9E080B12MP12	21.0	XAFC60H	975	28.0	16.8		16.50						
HMH72B481S	TM9E080B12MP12	21.0	XAFC60H	975	16.3	14.7		29.90	17.7				4.22	
HMH72B481S	TM8V100C16MP12C	24.5	XAFD60J	1425	47.0	33.4	17.75	9.75	46.5	29.6	9.00	7.15	3.36	2.44
HMH72B481S	TM8V100C16MP12C	24.5	XAFD60J	900	27.8	16.5		16.95						
HMH72B481S	TM8V100C16MP12C	24.5	XAFD60J	900	16.4	14.3		33.85	17.3				4.28	
HMH72B481S	TM8V080C16MP12C	24.5	XAFD60J	1425	47.0	33.4	17.75	9.75	46.5	29.6	9.00	7.15	3.36	2.44
HMH72B481S	TM8V080C16MP12C	24.5	XAFD60J	900	27.8	16.5		16.95						
HMH72B481S	TM8V080C16MP12C	24.5	XAFD60J	900	16.4	14.3		33.85	17.3				4.28	
HMH72B481S	TMLV100C16MP12C	24.5	XAFD60J	1425	47.0	33.4	17.75	9.75	46.5	29.6	9.00	7.15	3.36	2.44
HMH72B481S	TMLV100C16MP12C	24.5	XAFD60J	900	27.8	16.5		16.95						
HMH72B481S	TMLV100C16MP12C	24.5	XAFD60J	900	16.4	14.3		33.85	17.3				4.28	
HMH72B481S	TPLC080C16MP13C	24.5	XAFD60J	1425	47.0	33.4	17.75	9.75	46.5	29.6	9.00	7.15	3.36	2.44

**Table 6: System capacity - with high efficiency motor furnaces**

Unit model	Furnace		Coil model	Rated CFM	Cooling				Heating					
	Model	Width			Net MBH		SEER	EER	Net MBH		HSPF	HSPF region V	COP	
					Total	Sens.			47°F OD	17°F OD			47°F OD	17°F OD
HMH72B481S	TPLC080C16MP13C	24.5	XAFD60J	900	27.8	16.5		16.95						
HMH72B481S	TPLC080C16MP13C	24.5	XAFD60J	900	16.4	14.3		33.85	17.3				4.28	
HMH72B481S	TPLC100C16MP13C	24.5	XAFD60J	1425	47.0	33.4	17.75	9.75	46.5	29.6	9.00	7.15	3.36	2.44
HMH72B481S	TPLC100C16MP13C	24.5	XAFD60J	900	27.8	16.5		16.95						
HMH72B481S	TPLC100C16MP13C	24.5	XAFD60J	900	16.4	14.3		33.85	17.3				4.28	
HMH72B481S	YPLC080C16MP13C	24.5	XAFD60J	1425	47.0	33.4	17.75	9.75	46.5	29.6	9.00	7.15	3.36	2.44
HMH72B481S	YPLC080C16MP13C	24.5	XAFD60J	900	27.8	16.5		16.95						
HMH72B481S	YPLC080C16MP13C	24.5	XAFD60J	900	16.4	14.3		33.85	17.3				4.28	
HMH72B481S	YPLC100C16MP13C	24.5	XAFD60J	1425	47.0	33.4	17.75	9.75	46.5	29.6	9.00	7.15	3.36	2.44
HMH72B481S	YPLC100C16MP13C	24.5	XAFD60J	900	27.8	16.5		16.95						
HMH72B481S	YPLC100C16MP13C	24.5	XAFD60J	900	16.4	14.3		33.85	17.3				4.28	
HMH72B481S	TM8E120C16MP11	21.0	XAFC60H	1525	48.0	33.6	18.00	9.75	48.0	30.0	9.00	7.05	3.32	2.42
HMH72B481S	TM8E120C16MP11	21.0	XAFC60H	900	28.0	16.0		17.30						
HMH72B481S	TM8E120C16MP11	21.0	XAFC60H	900	16.4	14.1		35.65	17.2				4.34	
HMH72B481S	TMLE120C16MP11	21.0	XAFC60H	1525	48.0	33.6	18.00	9.75	48.0	30.0	9.00	7.05	3.32	2.42
HMH72B481S	TMLE120C16MP11	21.0	XAFC60H	900	28.0	16.0		17.30						
HMH72B481S	TMLE120C16MP11	21.0	XAFC60H	900	16.4	14.1		35.65	17.2				4.34	
HMH72B481S	TM8E100C16MP11	21.0	XAFC60H	1525	48.0	33.6	18.00	9.75	48.0	30.0	9.00	7.05	3.32	2.42
HMH72B481S	TM8E100C16MP11	21.0	XAFC60H	900	28.0	16.0		17.35						
HMH72B481S	TM8E100C16MP11	21.0	XAFC60H	900	16.4	14.1		35.75	17.2				4.34	
HMH72B481S	TMLE100C16MP11	21.0	XAFC60H	1525	48.0	33.6	18.00	9.75	48.0	30.0	9.00	7.05	3.32	2.42
HMH72B481S	TMLE100C16MP11	21.0	XAFC60H	900	28.0	16.0		17.35						
HMH72B481S	TMLE100C16MP11	21.0	XAFC60H	900	16.4	14.1		35.75	17.2				4.34	
HMH72B481S	TM8E080C16MP11	21.0	XAFC60H	1525	48.0	33.6	18.00	9.75	48.0	30.0	9.00	7.05	3.32	2.42
HMH72B481S	TM8E080C16MP11	21.0	XAFC60H	900	27.8	15.8		17.25						
HMH72B481S	TM8E080C16MP11	21.0	XAFC60H	900	16.4	14.1		35.30	17.2				4.34	
HMH72B481S	TMLE080C16MP11	21.0	XAFC60H	1525	48.0	33.6	18.00	9.75	48.0	30.0	9.00	7.05	3.32	2.42
HMH72B481S	TMLE080C16MP11	21.0	XAFC60H	900	27.8	15.8		17.25						
HMH72B481S	TMLE080C16MP11	21.0	XAFC60H	900	16.4	14.1		35.30	17.2				4.34	
HMH72B481S	TL8E100C20UH11	21.0	XAFC60H	1550	48.0	33.8	18.00	10.00	48.0	29.8	9.00	7.10	3.36	2.46
HMH72B481S	TL8E100C20UH11	21.0	XAFC60H	1100	28.8	18.3		17.35						
HMH72B481S	TL8E100C20UH11	21.0	XAFC60H	1100	16.8	15.7		32.70	17.9				4.50	
HMH72B601S	TM8Y120C20MP11	24.5	XAFD60J	1550	57.0	38.0	16.50	8.25	57.0	36.4	9.30	6.70	3.20	2.46
HMH72B601S	TM8Y120C20MP11	24.5	XAFD60J	1075	33.6	18.6		16.00						
HMH72B601S	TM8Y120C20MP11	24.5	XAFD60J	1075	20.0	17.6		34.80	17.8				4.48	
HMH72B601S	TM8Y100C20MP11	24.5	XAFD60J	1550	57.0	38.0	16.50	8.25	57.0	36.4	9.30	6.70	3.20	2.46
HMH72B601S	TM8Y100C20MP11	24.5	XAFD60J	1075	33.6	18.6		16.00						
HMH72B601S	TM8Y100C20MP11	24.5	XAFD60J	1075	20.0	17.6		34.80	17.8				4.48	
HMH72B601S	TM8Y100C16MP11	24.5	XAFD60J	1550	57.0	38.0	16.50	8.25	57.0	36.6	9.30	6.75	3.16	2.44
HMH72B601S	TM8Y100C16MP11	24.5	XAFD60J	1050	33.4	18.3		15.90						
HMH72B601S	TM8Y100C16MP11	24.5	XAFD60J	1050	19.9	17.4		34.30	17.8				4.44	
HMH72B601S	TM8Y080C16MP11	24.5	XAFD60J	1550	57.0	38.0	16.50	8.25	57.0	36.6	9.30	6.75	3.16	2.44
HMH72B601S	TM8Y080C16MP11	24.5	XAFD60J	1050	33.4	18.3		15.90						
HMH72B601S	TM8Y080C16MP11	24.5	XAFD60J	1050	19.9	17.4		34.30	17.8				4.44	
HMH72B601S	TM8E100C20MP11	24.5	XAFD60J	1500	57.0	37.8	16.50	8.25	56.0	36.2	9.30	6.80	3.18	2.46
HMH72B601S	TM8E100C20MP11	24.5	XAFD60J	1275	34.6	21.4		15.80						
HMH72B601S	TM8E100C20MP11	24.5	XAFD60J	1275	20.8	19.7		31.35	18.5				4.42	
HMH72B601S	TMLE100C20MP11	24.5	XAFD60J	1500	57.0	37.8	16.50	8.25	56.0	36.2	9.30	6.80	3.18	2.46
HMH72B601S	TMLE100C20MP11	24.5	XAFD60J	1275	34.6	21.4		15.80						
HMH72B601S	TMLE100C20MP11	24.5	XAFD60J	1275	20.8	19.7		31.35	18.5				4.42	
HMH72B601S	TM8E100C16MP11	24.5	XAFD60J	1575	57.0	38.0	16.25	8.25	57.5	36.8	9.30	6.75	3.18	2.44
HMH72B601S	TM8E100C16MP11	24.5	XAFD60J	1025	33.2	17.9		15.90						

**Table 6: System capacity - with high efficiency motor furnaces**

Unit model	Furnace		Coil model	Rated CFM	Cooling				Heating					
	Model	Width			Net MBH		SEER	EER	Net MBH		HSPF	HSPF region V	COP	
					Total	Sens.			47°F OD	17°F OD			47°F OD	17°F OD
HMH72B601S	TM8E100C16MP11	24.5	XAFD60J	1025	19.7	17.0		34.35	17.7				4.44	
HMH72B601S	TMLE100C16MP11	24.5	XAFD60J	1575	57.0	38.0	16.25	8.25	57.5	36.8	9.30	6.75	3.18	2.44
HMH72B601S	TMLE100C16MP11	24.5	XAFD60J	1025	33.2	17.9		15.90						
HMH72B601S	TMLE100C16MP11	24.5	XAFD60J	1025	19.7	17.0		34.35	17.7				4.44	
HMH72B601S	TM8E080C20MP11	24.5	XAFD60J	1550	57.0	38.0	16.50	8.25	57.0	36.4	9.30	6.65	3.20	2.46
HMH72B601S	TM8E080C20MP11	24.5	XAFD60J	1275	34.6	21.4		15.80						
HMH72B601S	TM8E080C20MP11	24.5	XAFD60J	1275	20.8	19.7		31.55	18.5				4.44	
HMH72B601S	TMLE080C20MP11	24.5	XAFD60J	1550	57.0	38.0	16.50	8.25	57.0	36.4	9.30	6.65	3.20	2.46
HMH72B601S	TMLE080C20MP11	24.5	XAFD60J	1275	34.6	21.4		15.80						
HMH72B601S	TMLE080C20MP11	24.5	XAFD60J	1275	20.8	19.7		31.55	18.5				4.44	
HMH72B601S	TM8E080C16MP11	24.5	XAFD60J	1575	57.0	38.0	16.25	8.25	57.5	36.8	9.30	6.75	3.18	2.44
HMH72B601S	TM8E080C16MP11	24.5	XAFD60J	1025	33.2	17.9		15.85						
HMH72B601S	TM8E080C16MP11	24.5	XAFD60J	1025	19.7	17.0		34.15	17.7				4.42	
HMH72B601S	TMLE080C16MP11	24.5	XAFD60J	1575	57.0	38.0	16.25	8.25	57.5	36.8	9.30	6.75	3.18	2.44
HMH72B601S	TMLE080C16MP11	24.5	XAFD60J	1025	33.2	17.9		15.85						
HMH72B601S	TMLE080C16MP11	24.5	XAFD60J	1025	19.7	17.0		34.15	17.7				4.42	
HMH72B601S	TL9E100C20UH11	24.5	XAFD60J	1600	57.5	38.5	16.50	8.25	57.5	36.6	9.30	6.65	3.20	2.46
HMH72B601S	TL9E100C20UH11	24.5	XAFD60J	1175	34.0	19.9		15.90						
HMH72B601S	TL9E100C20UH11	24.5	XAFD60J	1175	20.4	18.6		33.00	18.1				4.46	
HMH72B601S	TL8E100C20UH11	24.5	XAFD60J	1600	57.5	38.5	16.50	8.25	57.0	36.6	9.30	6.50	3.20	2.46
HMH72B601S	TL8E100C20UH11	24.5	XAFD60J	1100	33.8	19.0		16.00						
HMH72B601S	TL8E100C20UH11	24.5	XAFD60J	1100	20.2	17.9		34.40	17.9				4.48	
HMH72B601S	TL8E080C16UH11	24.5	XAFD60J	1550	57.0	38.0	16.25	8.25	57.0	36.6	9.30	6.65	3.16	2.44
HMH72B601S	TL8E080C16UH11	24.5	XAFD60J	1000	33.2	17.7		15.80						
HMH72B601S	TL8E080C16UH11	24.5	XAFD60J	1000	19.6	16.8		33.85	17.7				4.40	
HMH72B241S	TM9V080B12MP12C	21.0	XAFC36D	850	22.2	16.8	17.00	10.00	21.2	14.4	9.30	6.35	3.22	2.44
HMH72B241S	TM9V080B12MP12C	21.0	XAFC36D	600	13.2	9.0		16.15						
HMH72B241S	TM9V080B12MP12C	21.0	XAFC36D	600	8.9	8.0		32.70	5.7				4.26	
HMH72B241S	TP9C080B12MP13C	21.0	XAFC36D	850	22.2	16.8	17.00	10.00	21.2	14.4	9.30	6.35	3.22	2.44
HMH72B241S	TP9C080B12MP13C	21.0	XAFC36D	600	13.2	9.0		16.15						
HMH72B241S	TP9C080B12MP13C	21.0	XAFC36D	600	8.9	8.0		32.70	5.7				4.26	
HMH72B241S	YP9C080B12MP13C	21.0	XAFC36D	850	22.2	16.8	17.00	10.00	21.2	14.4	9.30	6.35	3.22	2.44
HMH72B241S	YP9C080B12MP13C	21.0	XAFC36D	600	13.2	9.0		16.15						
HMH72B241S	YP9C080B12MP13C	21.0	XAFC36D	600	8.9	8.0		32.70	5.7				4.26	
HMH72B241S	TM8V080B12MP12C	17.5	XAF/XAUB36D	825	22.0	16.5	17.00	10.00	21.2	14.4	9.30	6.10	3.16	2.40
HMH72B241S	TM8V080B12MP12C	17.5	XAF/XAUB36D	550	13.0	8.4		15.95						
HMH72B241S	TM8V080B12MP12C	17.5	XAF/XAUB36D	550	8.7	7.6		32.05	5.6				4.18	
HMH72B241S	TPLC080B12MP13C	17.5	XAF/XAUB36D	825	22.0	16.5	17.00	10.00	21.2	14.4	9.30	6.10	3.16	2.40
HMH72B241S	TPLC080B12MP13C	17.5	XAF/XAUB36D	550	13.0	8.4		15.95						
HMH72B241S	TPLC080B12MP13C	17.5	XAF/XAUB36D	550	8.7	7.6		32.05	5.6				4.18	
HMH72B241S	YPLC080B12MP13C	17.5	XAF/XAUB36D	825	22.0	16.5	17.00	10.00	21.2	14.4	9.30	6.10	3.16	2.40
HMH72B241S	YPLC080B12MP13C	17.5	XAF/XAUB36D	550	13.0	8.4		15.95						
HMH72B241S	YPLC080B12MP13C	17.5	XAF/XAUB36D	550	8.7	7.6		32.05	5.6				4.18	
HMH72B241S	TM8E100B12MP11	21.0	XAFC36D	825	22.2	16.7	17.00	10.25	21.0	14.3	9.30	6.70	3.18	2.42
HMH72B241S	TM8E100B12MP11	21.0	XAFC36D	725	13.4	10.2		16.00						
HMH72B241S	TM8E100B12MP11	21.0	XAFC36D	725	9.1	8.6		30.90	5.9				4.16	
HMH72B241S	TMLE100B12MP11	21.0	XAFC36D	825	22.2	16.7	17.00	10.25	21.0	14.3	9.30	6.70	3.18	2.42
HMH72B241S	TMLE100B12MP11	21.0	XAFC36D	725	13.4	10.2		16.00						
HMH72B241S	TMLE100B12MP11	21.0	XAFC36D	725	9.1	8.6		30.90	5.9				4.16	
HMH72B241S	TM8E040A12MP11	17.5	XAF/XAUB36D	875	22.2	16.9	17.25	10.00	21.4	14.5	9.30	6.70	3.24	2.44
HMH72B241S	TM8E040A12MP11	17.5	XAF/XAUB36D	725	13.5	10.3		16.20						
HMH72B241S	TM8E040A12MP11	17.5	XAF/XAUB36D	725	9.1	8.6		31.85	6.0				4.12	



**Table 6: System capacity - with high efficiency motor furnaces**

Unit model	Furnace		Coil model	Rated CFM	Cooling				Heating					
	Model	Width			Net MBH		SEER	EER	Net MBH		HSPF	HSPF region V	COP	
					Total	Sens.			47°F OD	17°F OD			47°F OD	17°F OD
HMH72B241S	TMLE040A12MP11	17.5	XAF/XAUB36D	875	22.2	16.9	17.25	10.00	21.4	14.5	9.30	6.70	3.24	2.44
HMH72B241S	TMLE040A12MP11	17.5	XAF/XAUB36D	725	13.5	10.3		16.20						
HMH72B241S	TMLE040A12MP11	17.5	XAF/XAUB36D	725	9.1	8.6		31.85	6.0				4.12	
HMH72B481S	TM9V120D20MP12C	24.5	XAFD60J	1650	48.0	35.8	18.00	9.75	47.5	30.8	9.30	6.70	3.48	2.50
HMH72B481S	TM9V120D20MP12C	24.5	XAFD60J	1025	28.4	18.2		17.20						
HMH72B481S	TM9V120D20MP12C	24.5	XAFD60J	1025	16.6	15.1		33.65	17.3				4.32	
HMH72B481S	TP9C120D20MP13C	24.5	XAFD60J	1650	48.0	35.8	18.00	9.75	47.5	30.8	9.30	6.70	3.48	2.50
HMH72B481S	TP9C120D20MP13C	24.5	XAFD60J	1025	28.4	18.2		17.20						
HMH72B481S	TP9C120D20MP13C	24.5	XAFD60J	1025	16.6	15.1		33.65	17.3				4.32	
HMH72B481S	YP9C120D20MP13C	24.5	XAFD60J	1650	48.0	35.8	18.00	9.75	47.5	30.8	9.30	6.70	3.48	2.50
HMH72B481S	YP9C120D20MP13C	24.5	XAFD60J	1025	28.4	18.2		17.20						
HMH72B481S	YP9C120D20MP13C	24.5	XAFD60J	1025	16.6	15.1		33.65	17.3				4.32	
HMH72B481S	TM9V100C20MP12C	24.5	XAFD60J	1625	47.5	35.2	17.50	9.50	47.5	31.0	9.30	6.70	3.44	2.48
HMH72B481S	TM9V100C20MP12C	24.5	XAFD60J	1050	28.6	18.7		16.90						
HMH72B481S	TM9V100C20MP12C	24.5	XAFD60J	1050	16.6	15.3		31.75	17.5				4.28	
HMH72B481S	TP9C100C20MP13C	24.5	XAFD60J	1625	47.5	35.2	17.50	9.50	47.5	31.0	9.30	6.70	3.44	2.48
HMH72B481S	TP9C100C20MP13C	24.5	XAFD60J	1050	28.6	18.7		16.90						
HMH72B481S	TP9C100C20MP13C	24.5	XAFD60J	1050	16.6	15.3		31.75	17.5				4.28	
HMH72B481S	YP9C100C20MP13C	24.5	XAFD60J	1625	47.5	35.2	17.50	9.50	47.5	31.0	9.30	6.70	3.44	2.48
HMH72B481S	YP9C100C20MP13C	24.5	XAFD60J	1050	28.6	18.7		16.90						
HMH72B481S	YP9C100C20MP13C	24.5	XAFD60J	1050	16.6	15.3		31.75	17.5				4.28	
HMH72B481S	TM8Y120C20MP11	24.5	XAFD60J	1550	47.5	34.8	18.00	9.75	47.0	29.8	9.30	6.60	3.44	2.48
HMH72B481S	TM8Y120C20MP11	24.5	XAFD60J	1075	28.8	19.0		17.30						
HMH72B481S	TM8Y120C20MP11	24.5	XAFD60J	1075	16.8	15.6		33.50	17.8				4.48	
HMH72B481S	TM8Y100C20MP11	24.5	XAFD60J	1550	47.5	34.8	18.00	9.75	47.0	29.8	9.30	6.60	3.44	2.48
HMH72B481S	TM8Y100C20MP11	24.5	XAFD60J	1075	28.8	19.0		17.30						
HMH72B481S	TM8Y100C20MP11	24.5	XAFD60J	1075	16.8	15.6		33.50	17.8				4.48	
HMH72B481S	TL8E100C20UH11	24.5	XAFD60J	1600	48.0	35.6	18.00	9.75	47.5	30.0	9.30	6.60	3.46	2.48
HMH72B481S	TL8E100C20UH11	24.5	XAFD60J	1100	28.8	19.2		17.25						
HMH72B481S	TL8E100C20UH11	24.5	XAFD60J	1100	16.8	15.7		33.00	17.9				4.50	
HMH72B481S	TL8E080C16UH11	24.5	XAFD60J	1550	47.5	34.8	17.75	9.50	47.5	30.2	9.30	6.70	3.38	2.44
HMH72B481S	TL8E080C16UH11	24.5	XAFD60J	1000	28.2	17.8		17.00						
HMH72B481S	TL8E080C16UH11	24.5	XAFD60J	1000	16.6	15.0		32.85	17.6				4.36	
HMH72B481S	TM9Y100C16MP11	21.0	XAFC60H	1400	48.0	33.0	17.50	10.00	47.5	30.0	9.00	7.10	3.30	2.44
HMH72B481S	TM9Y100C16MP11	21.0	XAFC60H	1025	28.4	17.5		16.95						
HMH72B481S	TM9Y100C16MP11	21.0	XAFC60H	1025	16.5	15.0		31.45	17.4				4.24	
HMH72B481S	TM9Y080C16MP11	21.0	XAFC60H	1375	47.5	32.2	17.25	9.50	47.5	30.0	8.50	6.65	3.26	2.42
HMH72B481S	TM9Y080C16MP11	21.0	XAFC60H	700	26.8	13.5		16.65						
HMH72B481S	TM9Y080C16MP11	21.0	XAFC60H	700	15.9	12.5		34.60	16.4				3.90	
HMH72B361S	TM9Y100C16MP11	21.0	XAFC36D	1225	35.6	25.6	16.75	9.00	36.0	25.0	9.50	7.15	3.36	2.60
HMH72B361S	TM9Y100C16MP11	21.0	XAFC36D	625	21.2	11.0		15.95						
HMH72B361S	TM9Y100C16MP11	21.0	XAFC36D	625	14.0	10.7		32.95	9.7				4.62	
HMH72B361S	TM9Y080C16MP11	21.0	XAFC36D	1225	35.6	25.6	16.50	9.00	36.0	25.0	9.50	7.25	3.34	2.60
HMH72B361S	TM9Y080C16MP11	21.0	XAFC36D	650	21.2	11.3		15.80						
HMH72B361S	TM9Y080C16MP11	21.0	XAFC36D	650	14.1	11.1		31.65	9.9				4.38	
HMH72B361S	TM9Y080B12MP11	21.0	XAFC36D	1150	35.2	25.0	16.50	8.75	36.0	25.0	9.50	7.35	3.28	2.56
HMH72B361S	TM9Y080B12MP11	21.0	XAFC36D	750	21.8	12.6		15.90						
HMH72B361S	TM9Y080B12MP11	21.0	XAFC36D	750	14.3	11.9		30.95	10.0				4.50	
HMH72B361S	TM9Y060B12MP11	17.5	XAF/XAUB36D	1100	34.8	24.4	16.25	8.75	36.0	25.0	9.50	7.60	3.22	2.54
HMH72B361S	TM9Y060B12MP11	17.5	XAF/XAUB36D	700	21.4	11.9		15.65						
HMH72B361S	TM9Y060B12MP11	17.5	XAF/XAUB36D	700	14.1	11.5		30.20	9.9				4.44	
HMH72B361S	TM9V100C16MP12C	21.0	XAFC36D	1275	36.0	26.4	16.75	9.00	36.0	25.0	9.50	6.90	3.42	2.64

**Table 6: System capacity - with high efficiency motor furnaces**

Unit model	Furnace		Coil model	Rated CFM	Cooling				Heating					
	Model	Width			Net MBH		SEER	EER	Net MBH		HSPF	HSPF region V	COP	
					Total	Sens.			47°F OD	17°F OD			47°F OD	17°F OD
HMH72B361S	TM9V100C16MP12C	21.0	XAFC36D	875	22.4	14.1		16.10						
HMH72B361S	TM9V100C16MP12C	21.0	XAFC36D	875	14.6	13.1		30.15	10.2				4.66	
HMH72B361S	TP9C100C16MP13C	21.0	XAFC36D	1275	36.0	26.4	16.75	9.00	36.0	25.0	9.50	6.90	3.42	2.64
HMH72B361S	TP9C100C16MP13C	21.0	XAFC36D	875	22.4	14.1		16.10						
HMH72B361S	TP9C100C16MP13C	21.0	XAFC36D	875	14.6	13.1		30.15	10.2				4.66	
HMH72B361S	YP9C100C16MP13C	21.0	XAFC36D	1275	36.0	26.4	16.75	9.00	36.0	25.0	9.50	6.90	3.42	2.64
HMH72B361S	YP9C100C16MP13C	21.0	XAFC36D	875	22.4	14.1		16.10						
HMH72B361S	YP9C100C16MP13C	21.0	XAFC36D	875	14.6	13.1		30.15	10.2				4.66	
HMH72B361S	TM9V080C16MP12C	21.0	XAFC36D	1225	35.6	25.6	16.50	9.00	36.0	25.0	9.50	7.25	3.34	2.60
HMH72B361S	TM9V080C16MP12C	21.0	XAFC36D	800	22.0	13.2		15.85						
HMH72B361S	TM9V080C16MP12C	21.0	XAFC36D	800	14.4	12.4		29.95	10.1				4.56	
HMH72B361S	TP9C080C16MP13C	21.0	XAFC36D	1225	35.6	25.6	16.50	9.00	36.0	25.0	9.50	7.25	3.34	2.60
HMH72B361S	TP9C080C16MP13C	21.0	XAFC36D	800	22.0	13.2		15.85						
HMH72B361S	TP9C080C16MP13C	21.0	XAFC36D	800	14.4	12.4		29.95	10.1				4.56	
HMH72B361S	YP9C080C16MP13C	21.0	XAFC36D	1225	35.6	25.6	16.50	9.00	36.0	25.0	9.50	7.25	3.34	2.60
HMH72B361S	YP9C080C16MP13C	21.0	XAFC36D	800	22.0	13.2		15.85						
HMH72B361S	YP9C080C16MP13C	21.0	XAFC36D	800	14.4	12.4		29.95	10.1				4.56	
HMH72B361S	TM9V080B12MP12C	17.5	XAF/XAUB36D	1175	35.2	25.0	16.50	8.75	36.0	25.0	9.50	7.20	3.30	2.56
HMH72B361S	TM9V080B12MP12C	17.5	XAF/XAUB36D	775	21.8	12.8		15.75						
HMH72B361S	TM9V080B12MP12C	17.5	XAF/XAUB36D	775	14.3	12.2		29.75	10.1				4.54	
HMH72B361S	TP9C080B12MP13C	17.5	XAF/XAUB36D	1175	35.2	25.0	16.50	8.75	36.0	25.0	9.50	7.20	3.30	2.56
HMH72B361S	TP9C080B12MP13C	17.5	XAF/XAUB36D	775	21.8	12.8		15.75						
HMH72B361S	TP9C080B12MP13C	17.5	XAF/XAUB36D	775	14.3	12.2		29.75	10.1				4.54	
HMH72B361S	YP9C080B12MP13C	17.5	XAF/XAUB36D	1175	35.2	25.0	16.50	8.75	36.0	25.0	9.50	7.20	3.30	2.56
HMH72B361S	YP9C080B12MP13C	17.5	XAF/XAUB36D	775	21.8	12.8		15.75						
HMH72B361S	YP9C080B12MP13C	17.5	XAF/XAUB36D	775	14.3	12.2		29.75	10.1				4.54	
HMH72B361S	TM9V060B12MP12C	17.5	XAF/XAUB36D	1125	35.0	24.6	16.25	8.75	36.0	25.0	9.50	7.50	3.24	2.54
HMH72B361S	TM9V060B12MP12C	17.5	XAF/XAUB36D	700	21.4	11.9		15.60						
HMH72B361S	TM9V060B12MP12C	17.5	XAF/XAUB36D	700	14.1	11.5		29.85	9.9				4.48	
HMH72B361S	TP9C060B12MP13C	17.5	XAF/XAUB36D	1125	35.0	24.6	16.25	8.75	36.0	25.0	9.50	7.50	3.24	2.54
HMH72B361S	TP9C060B12MP13C	17.5	XAF/XAUB36D	700	21.4	11.9		15.60						
HMH72B361S	TP9C060B12MP13C	17.5	XAF/XAUB36D	700	14.1	11.5		29.85	9.9				4.48	
HMH72B361S	YP9C060B12MP13C	17.5	XAF/XAUB36D	1125	35.0	24.6	16.25	8.75	36.0	25.0	9.50	7.50	3.24	2.54
HMH72B361S	YP9C060B12MP13C	17.5	XAF/XAUB36D	700	21.4	11.9		15.60						
HMH72B361S	YP9C060B12MP13C	17.5	XAF/XAUB36D	700	14.1	11.5		29.85	9.9				4.48	
HMH72B361S	TM9V040A10MP12C	14.5	XAFA30D	900	33.8	22.4	15.75	8.75	35.0	24.4	9.50	7.35	3.10	2.48
HMH72B361S	TM9V040A10MP12C	14.5	XAFA30D	575	20.8	10.5		15.10						
HMH72B361S	TM9V040A10MP12C	14.5	XAFA30D	575	13.7	10.3		28.90	9.7				4.30	
HMH72B361S	TM9E080C16MP12	21.0	XAFC36D	1225	35.6	25.6	17.00	9.00	36.0	25.0	9.50	7.25	3.34	2.60
HMH72B361S	TM9E080C16MP12	21.0	XAFC36D	775	22.0	12.9		16.10						
HMH72B361S	TM9E080C16MP12	21.0	XAFC36D	775	14.4	12.2		31.50	10.0				4.58	
HMH72B361S	TM8Y120C20MP11	21.0	XAFC36D	1175	35.6	25.4	16.75	9.25	35.8	24.6	9.50	7.00	3.38	2.64
HMH72B361S	TM8Y120C20MP11	21.0	XAFC36D	975	22.8	15.2		16.10						
HMH72B361S	TM8Y120C20MP11	21.0	XAFC36D	975	14.8	14.0		29.30	10.5				4.58	
HMH72B361S	TM8Y100C16MP11	21.0	XAFC36D	1125	35.4	25.0	17.25	9.25	35.0	24.6	9.50	6.90	3.32	2.62
HMH72B361S	TM8Y100C16MP11	21.0	XAFC36D	775	22.0	12.9		16.25						
HMH72B361S	TM8Y100C16MP11	21.0	XAFC36D	775	14.4	12.1		32.50	10.0				4.68	
HMH72B361S	TM8Y080B12MP11	17.5	XAF/XAUB36D	1150	35.2	25.0	16.75	9.00	36.0	25.0	9.50	7.25	3.28	2.56
HMH72B361S	TM8Y080B12MP11	17.5	XAF/XAUB36D	700	21.6	12.0		15.90						
HMH72B361S	TM8Y080B12MP11	17.5	XAF/XAUB36D	700	14.2	11.5		31.60	9.9				4.54	
HMH72B361S	TM8Y060A12MP11	17.5	XAF/XAUB36D	1100	35.0	24.4	16.50	9.00	35.8	24.8	9.50	7.50	3.24	2.54
HMH72B361S	TM8Y060A12MP11	17.5	XAF/XAUB36D	675	21.4	11.6		15.80						



**Table 6: System capacity - with high efficiency motor furnaces**

Unit model	Furnace		Coil model	Rated CFM	Cooling				Heating					
	Model	Width			Net MBH		SEER	EER	Net MBH		HSPF	HSPF region V	COP	
					Total	Sens.			47°F OD	17°F OD			47°F OD	17°F OD
HMH72B361S	TM8Y060A12MP11	17.5	XAF/XAUB36D	675	14.1	11.2		31.30	9.8				4.48	
HMH72B361S	TM8Y060A12MP11	14.5	XAFA30D	1050	34.6	24.0	16.25	8.75	35.6	24.8	9.50	7.25	3.18	2.52
HMH72B361S	TM8Y060A12MP11	14.5	XAFA30D	650	21.2	11.3		15.60						
HMH72B361S	TM8Y060A12MP11	14.5	XAFA30D	650	14.0	11.0		30.65	9.8				4.44	
HMH72B361S	TM8V100C16MP12C	21.0	XAFC36D	1275	35.8	26.2	16.75	9.00	36.0	25.2	9.50	7.00	3.40	2.62
HMH72B361S	TM8V100C16MP12C	21.0	XAFC36D	850	22.2	13.7		16.10						
HMH72B361S	TM8V100C16MP12C	21.0	XAFC36D	850	14.5	12.8		30.55	10.2				4.64	
HMH72B361S	TM8V080C16MP12C	21.0	XAFC36D	1275	35.8	26.2	16.75	9.00	36.0	25.2	9.50	7.00	3.40	2.62
HMH72B361S	TM8V080C16MP12C	21.0	XAFC36D	850	22.2	13.7		16.10						
HMH72B361S	TM8V080C16MP12C	21.0	XAFC36D	850	14.5	12.8		30.55	10.2				4.64	
HMH72B361S	TMLV100C16MP12C	21.0	XAFC36D	1275	35.8	26.2	16.75	9.00	36.0	25.2	9.50	7.00	3.40	2.62
HMH72B361S	TMLV100C16MP12C	21.0	XAFC36D	850	22.2	13.7		16.10						
HMH72B361S	TMLV100C16MP12C	21.0	XAFC36D	850	14.5	12.8		30.55	10.2				4.64	
HMH72B361S	TPLC080C16MP13C	21.0	XAFC36D	1275	35.8	26.2	16.75	9.00	36.0	25.2	9.50	7.00	3.40	2.62
HMH72B361S	TPLC080C16MP13C	21.0	XAFC36D	850	22.2	13.7		16.10						
HMH72B361S	TPLC080C16MP13C	21.0	XAFC36D	850	14.5	12.8		30.55	10.2				4.64	
HMH72B361S	TPLC100C16MP13C	21.0	XAFC36D	1275	35.8	26.2	16.75	9.00	36.0	25.2	9.50	7.00	3.40	2.62
HMH72B361S	TPLC100C16MP13C	21.0	XAFC36D	850	22.2	13.7		16.10						
HMH72B361S	TPLC100C16MP13C	21.0	XAFC36D	850	14.5	12.8		30.55	10.2				4.64	
HMH72B361S	YPLC080C16MP13C	21.0	XAFC36D	1275	35.8	26.2	16.75	9.00	36.0	25.2	9.50	7.00	3.40	2.62
HMH72B361S	YPLC080C16MP13C	21.0	XAFC36D	850	22.2	13.7		16.10						
HMH72B361S	YPLC080C16MP13C	21.0	XAFC36D	850	14.5	12.8		30.55	10.2				4.64	
HMH72B361S	YPLC100C16MP13C	21.0	XAFC36D	1275	35.8	26.2	16.75	9.00	36.0	25.2	9.50	7.00	3.40	2.62
HMH72B361S	YPLC100C16MP13C	21.0	XAFC36D	850	22.2	13.7		16.10						
HMH72B361S	YPLC100C16MP13C	21.0	XAFC36D	850	14.5	12.8		30.55	10.2				4.64	
HMH72B361S	TM8V080B12MP12C	21.0	XAFC36D	1125	34.8	24.4	16.00	8.75	36.0	25.0	9.50	7.60	3.24	2.54
HMH72B361S	TM8V080B12MP12C	21.0	XAFC36D	725	21.6	12.3		15.55						
HMH72B361S	TM8V080B12MP12C	21.0	XAFC36D	725	14.1	11.7		29.25	10.0				4.46	
HMH72B361S	TPLC080B12MP13C	21.0	XAFC36D	1125	34.8	24.4	16.00	8.75	36.0	25.0	9.50	7.60	3.24	2.54
HMH72B361S	TPLC080B12MP13C	21.0	XAFC36D	725	21.6	12.3		15.55						
HMH72B361S	TPLC080B12MP13C	21.0	XAFC36D	725	14.1	11.7		29.25	10.0				4.46	
HMH72B361S	YPLC080B12MP13C	21.0	XAFC36D	1125	34.8	24.4	16.00	8.75	36.0	25.0	9.50	7.60	3.24	2.54
HMH72B361S	YPLC080B12MP13C	21.0	XAFC36D	725	21.6	12.3		15.55						
HMH72B361S	YPLC080B12MP13C	21.0	XAFC36D	725	14.1	11.7		29.25	10.0				4.46	
HMH72B361S	TM8V060A12MP12C	17.5	XAF/XAUB36D	1275	35.6	26.0	16.25	8.75	36.0	25.4	9.50	7.10	3.34	2.58
HMH72B361S	TM8V060A12MP12C	17.5	XAF/XAUB36D	850	22.2	13.8		15.80						
HMH72B361S	TM8V060A12MP12C	17.5	XAF/XAUB36D	850	14.5	12.9		29.10	10.2				4.54	
HMH72B361S	TMLV060A12MP12C	17.5	XAF/XAUB36D	1275	35.6	26.0	16.25	8.75	36.0	25.4	9.50	7.10	3.34	2.58
HMH72B361S	TMLV060A12MP12C	17.5	XAF/XAUB36D	850	22.2	13.8		15.80						
HMH72B361S	TMLV060A12MP12C	17.5	XAF/XAUB36D	850	14.5	12.9		29.10	10.2				4.54	
HMH72B361S	TPLC060A12MP13C	17.5	XAF/XAUB36D	1275	35.6	26.0	16.25	8.75	36.0	25.4	9.50	7.10	3.34	2.58
HMH72B361S	TPLC060A12MP13C	17.5	XAF/XAUB36D	850	22.2	13.8		15.80						
HMH72B361S	TPLC060A12MP13C	17.5	XAF/XAUB36D	850	14.5	12.9		29.10	10.2				4.54	
HMH72B361S	YPLC060A12MP13C	17.5	XAF/XAUB36D	1275	35.6	26.0	16.25	8.75	36.0	25.4	9.50	7.10	3.34	2.58
HMH72B361S	YPLC060A12MP13C	17.5	XAF/XAUB36D	850	22.2	13.8		15.80						
HMH72B361S	YPLC060A12MP13C	17.5	XAF/XAUB36D	850	14.5	12.9		29.10	10.2				4.54	
HMH72B361S	TM8E120C16MP11	21.0	XAFC36D	1250	35.8	26.0	17.00	9.00	36.0	25.0	9.50	7.00	3.38	2.62
HMH72B361S	TM8E120C16MP11	21.0	XAFC36D	825	22.2	13.5		16.20						
HMH72B361S	TM8E120C16MP11	21.0	XAFC36D	825	14.5	12.6		31.50	10.1				4.62	
HMH72B361S	TMLE120C16MP11	21.0	XAFC36D	1250	35.8	26.0	17.00	9.00	36.0	25.0	9.50	7.00	3.38	2.62
HMH72B361S	TMLE120C16MP11	21.0	XAFC36D	825	22.2	13.5		16.20						
HMH72B361S	TMLE120C16MP11	21.0	XAFC36D	825	14.5	12.6		31.50	10.1				4.62	

**Table 6: System capacity - with high efficiency motor furnaces**

Unit model	Furnace		Coil model	Rated CFM	Cooling				Heating					
	Model	Width			Net MBH		SEER	EER	Net MBH		HSPF	HSPF region V	COP	
					Total	Sens.			47°F OD	17°F OD			47°F OD	17°F OD
HMH72B361S	TM8E080C16MP11	21.0	XAFC36D	1225	35.8	25.8	17.00	9.25	36.0	25.0	9.50	7.00	3.38	2.62
HMH72B361S	TM8E080C16MP11	21.0	XAFC36D	825	22.2	13.5		16.15						
HMH72B361S	TM8E080C16MP11	21.0	XAFC36D	825	14.5	12.6		31.20	10.1				4.60	
HMH72B361S	TMLE080C16MP11	21.0	XAFC36D	1225	35.8	25.8	17.00	9.25	36.0	25.0	9.50	7.00	3.38	2.62
HMH72B361S	TMLE080C16MP11	21.0	XAFC36D	825	22.2	13.5		16.15						
HMH72B361S	TMLE080C16MP11	21.0	XAFC36D	825	14.5	12.6		31.20	10.1				4.60	
HMH72B361S	TM8E080B12MP11	17.5	XAF/XAUB36D	1200	35.4	25.4	16.75	8.75	36.0	25.2	9.50	7.35	3.30	2.56
HMH72B361S	TM8E080B12MP11	17.5	XAF/XAUB36D	775	21.8	12.8		16.00						
HMH72B361S	TM8E080B12MP11	17.5	XAF/XAUB36D	775	14.4	12.2		30.95	10.1				4.52	
HMH72B361S	TMLE080B12MP11	17.5	XAF/XAUB36D	1200	35.4	25.4	16.75	8.75	36.0	25.2	9.50	7.35	3.30	2.56
HMH72B361S	TMLE080B12MP11	17.5	XAF/XAUB36D	775	21.8	12.8		16.00						
HMH72B361S	TMLE080B12MP11	17.5	XAF/XAUB36D	775	14.4	12.2		30.95	10.1				4.52	
HMH72B361S	TM8E060A12MP11	14.5	XAFA30D	1150	35.0	24.8	16.50	8.75	36.0	25.2	9.50	6.95	3.24	2.54
HMH72B361S	TM8E060A12MP11	14.5	XAFA30D	750	21.8	12.6		15.75						
HMH72B361S	TM8E060A12MP11	14.5	XAFA30D	750	14.2	11.9		29.95	10.0				4.44	
HMH72B361S	TMLE060A12MP11	14.5	XAFA30D	1150	35.0	24.8	16.50	8.75	36.0	25.2	9.50	6.95	3.24	2.54
HMH72B361S	TMLE060A12MP11	14.5	XAFA30D	750	21.8	12.6		15.75						
HMH72B361S	TMLE060A12MP11	14.5	XAFA30D	750	14.2	11.9		29.95	10.0				4.44	
HMH72B361S	TM8E040A12MP11	17.5	XAF/XAUB36D	1175	35.4	25.2	16.75	9.00	36.0	25.0	9.50	7.25	3.30	2.58
HMH72B361S	TM8E040A12MP11	17.5	XAF/XAUB36D	800	22.0	13.1		16.05						
HMH72B361S	TM8E040A12MP11	17.5	XAF/XAUB36D	800	14.4	12.4		30.75	10.1				4.52	
HMH72B361S	TMLE040A12MP11	17.5	XAF/XAUB36D	1175	35.4	25.2	16.75	9.00	36.0	25.0	9.50	7.25	3.30	2.58
HMH72B361S	TMLE040A12MP11	17.5	XAF/XAUB36D	800	22.0	13.1		16.05						
HMH72B361S	TMLE040A12MP11	17.5	XAF/XAUB36D	800	14.4	12.4		30.75	10.1				4.52	
HMH72B361S	TL9E060B12UH11	21.0	XAFC36D	1025	34.6	23.8	16.50	8.75	35.4	24.6	9.50	7.50	3.20	2.54
HMH72B361S	TL9E060B12UH11	21.0	XAFC36D	675	21.4	11.7		15.70						
HMH72B361S	TL9E060B12UH11	21.0	XAFC36D	675	14.1	11.3		30.75	9.9				4.44	
HMH72B361S	TL8E080C16UH11	21.0	XAFC36D	1225	35.8	25.8	16.50	9.00	36.0	25.0	9.50	7.25	3.36	2.62
HMH72B361S	TL8E080C16UH11	21.0	XAFC36D	950	22.8	15.1		16.05						
HMH72B361S	TL8E080C16UH11	21.0	XAFC36D	950	14.7	13.8		29.15	10.5				4.54	
HMH72B241S	TM9E060A10MP12	17.5	XAF/XAUB36D	875	22.2	16.9	16.00	9.75	21.6	14.6	9.00	6.95	3.18	2.40
HMH72B241S	TM9E060A10MP12	17.5	XAF/XAUB36D	700	13.3	10.0		15.45						
HMH72B241S	TM9E060A10MP12	17.5	XAF/XAUB36D	700	8.9	8.4		28.25	6.0				3.96	
HMH72B241S	TM9E040A10MP12	14.5	XAFA30D	825	21.8	16.3	16.00	9.50	21.4	14.7	8.50	6.65	3.06	2.34
HMH72B241S	TM9E040A10MP12	14.5	XAFA30D	625	13.1	9.2		15.20						
HMH72B241S	TM9E040A10MP12	14.5	XAFA30D	625	8.8	8.1		27.80	5.9				3.88	
HMH72B241S	TM9E026A08MP12	17.5	XAF/XAUB36D	850	21.8	16.4	16.50	9.50	21.6	14.8	9.00	6.95	3.10	2.34
HMH72B241S	TM9E026A08MP12	17.5	XAF/XAUB36D	525	12.9	8.2		15.70						
HMH72B241S	TM9E026A08MP12	17.5	XAF/XAUB36D	525	8.7	7.6		30.95	5.7				4.02	
HMH72B241S	TM9E026A08MP12	14.5	XAFA30D	825	21.6	16.1	16.50	9.25	21.6	14.7	8.50	6.55	3.06	2.32
HMH72B241S	TM9E026A08MP12	14.5	XAFA30D	525	12.9	8.2		15.70						
HMH72B241S	TM9E026A08MP12	14.5	XAFA30D	525	8.7	7.6		30.85	5.7				4.00	
HMH72B241S	TM8Y060A12MP11	14.5	XAFA30D	875	22.0	16.7	16.50	9.75	21.6	14.7	9.00	6.85	3.18	2.40
HMH72B241S	TM8Y060A12MP11	14.5	XAFA30D	650	13.2	9.5		15.85						
HMH72B241S	TM8Y060A12MP11	14.5	XAFA30D	650	8.9	8.2		30.60	5.8				4.08	
HMH72B241S	TM8E040A12MP11	14.5	XAFA30D	825	22.0	16.5	16.75	10.00	21.2	14.4	9.00	6.75	3.16	2.40
HMH72B241S	TM8E040A12MP11	14.5	XAFA30D	650	13.2	9.4		15.90						
HMH72B241S	TM8E040A12MP11	14.5	XAFA30D	650	8.9	8.2		30.80	5.9				4.04	
HMH72B241S	TMLE040A12MP11	14.5	XAFA30D	825	22.0	16.5	16.75	10.00	21.2	14.4	9.00	6.75	3.16	2.40
HMH72B241S	TMLE040A12MP11	14.5	XAFA30D	650	13.2	9.4		15.90						
HMH72B241S	TMLE040A12MP11	14.5	XAFA30D	650	8.9	8.2		30.80	5.9				4.04	
HMH72B241S	TL9E060B12UH11	17.5	XAF/XAUB36D	850	22.0	16.6	16.50	10.00	21.4	14.5	9.00	6.75	3.16	2.40

**Table 6: System capacity - with high efficiency motor furnaces**

Unit model	Furnace		Coil model	Rated CFM	Cooling				Heating					
	Model	Width			Net MBH		SEER	EER	Net MBH		HSPF	HSPF region V	COP	
					Total	Sens.			47°F OD	17°F OD			47°F OD	17°F OD
HMH72B241S	TL9E060B12UH11	17.5	XAF/XAUB36D	650	13.2	9.5		15.75						
HMH72B241S	TL9E060B12UH11	17.5	XAF/XAUB36D	650	8.9	8.2		30.10	5.9					4.06
HMH72B481S	TM9Y120D20MP11	24.5	XAFD60J	1575	47.5	34.8	18.00	9.75	47.0	30.6	9.00	7.15	3.46	2.50
HMH72B481S	TM9Y120D20MP11	24.5	XAFD60J	1025	28.4	18.1		17.25						
HMH72B481S	TM9Y120D20MP11	24.5	XAFD60J	1025	16.7	15.2		34.00	17.3					4.34
HMH72B481S	TM9Y100C16MP11	24.5	XAFD60J	1400	46.5	32.8	17.50	9.75	46.5	30.2	9.00	7.20	3.34	2.46
HMH72B481S	TM9Y100C16MP11	24.5	XAFD60J	1025	28.4	18.3		16.80						
HMH72B481S	TM9Y100C16MP11	24.5	XAFD60J	1025	16.5	15.1		31.50	17.4					4.24
HMH72B481S	TM9V080C16MP12C	21.0	XAFC60H	1525	48.0	33.6	17.50	9.50	48.0	30.6	9.00	7.10	3.32	2.44
HMH72B481S	TM9V080C16MP12C	21.0	XAFC60H	975	28.2	16.9		16.90						
HMH72B481S	TM9V080C16MP12C	21.0	XAFC60H	975	16.5	14.7		31.95	17.3					4.22
HMH72B481S	TP9C080C16MP13C	21.0	XAFC60H	1525	48.0	33.6	17.50	9.50	48.0	30.6	9.00	7.10	3.32	2.44
HMH72B481S	TP9C080C16MP13C	21.0	XAFC60H	975	28.2	16.9		16.90						
HMH72B481S	TP9C080C16MP13C	21.0	XAFC60H	975	16.5	14.7		31.95	17.3					4.22
HMH72B481S	YP9C080C16MP13C	21.0	XAFC60H	1525	48.0	33.6	17.50	9.50	48.0	30.6	9.00	7.10	3.32	2.44
HMH72B481S	YP9C080C16MP13C	21.0	XAFC60H	975	28.2	16.9		16.90						
HMH72B481S	YP9C080C16MP13C	21.0	XAFC60H	975	16.5	14.7		31.95	17.3					4.22
HMH72B481S	TM8Y120C20MP11	21.0	XAFC60H	1500	48.0	33.6	18.00	10.00	48.0	29.6	9.00	7.15	3.34	2.44
HMH72B481S	TM8Y120C20MP11	21.0	XAFC60H	1050	28.6	17.8		17.30						
HMH72B481S	TM8Y120C20MP11	21.0	XAFC60H	1050	16.7	15.3		33.20	17.8					4.44
HMH72B481S	TM8Y100C20MP11	21.0	XAFC60H	1500	48.0	33.6	18.00	10.00	48.0	29.6	9.00	7.15	3.34	2.44
HMH72B481S	TM8Y100C20MP11	21.0	XAFC60H	1050	28.6	17.8		17.30						
HMH72B481S	TM8Y100C20MP11	21.0	XAFC60H	1050	16.7	15.3		33.20	17.8					4.44
HMH72B481S	TM8Y100C16MP11	24.5	XAFD60J	1550	47.5	34.8	18.00	9.75	47.0	30.2	9.00	7.15	3.40	2.44
HMH72B481S	TM8Y100C16MP11	24.5	XAFD60J	825	27.6	15.6		17.25						
HMH72B481S	TM8Y100C16MP11	24.5	XAFD60J	825	16.3	13.7		36.75	16.9					4.28
HMH72B481S	TM8Y080C16MP11	24.5	XAFD60J	1550	47.5	34.8	18.00	9.75	47.0	30.2	9.00	7.15	3.40	2.44
HMH72B481S	TM8Y080C16MP11	24.5	XAFD60J	825	27.6	15.6		17.25						
HMH72B481S	TM8Y080C16MP11	24.5	XAFD60J	825	16.3	13.7		36.75	16.9					4.28
HMH72B481S	TM8Y100C16MP11	21.0	XAFC60H	1500	48.0	33.4	18.25	9.75	48.0	29.8	9.00	7.05	3.30	2.42
HMH72B481S	TM8Y100C16MP11	21.0	XAFC60H	850	27.8	15.4		17.45						
HMH72B481S	TM8Y100C16MP11	21.0	XAFC60H	850	16.4	13.7		37.40	17.0					4.32
HMH72B481S	TM8Y080C16MP11	21.0	XAFC60H	1500	48.0	33.4	18.25	9.75	48.0	29.8	9.00	7.05	3.30	2.42
HMH72B481S	TM8Y080C16MP11	21.0	XAFC60H	850	27.8	15.4		17.45						
HMH72B481S	TM8Y080C16MP11	21.0	XAFC60H	850	16.4	13.7		37.40	17.0					4.32
HMH72B481S	TM8V120C20MP12C	21.0	XAFC60H	1400	48.0	33.0	18.00	10.00	47.0	29.2	9.00	7.15	3.32	2.44
HMH72B481S	TM8V120C20MP12C	21.0	XAFC60H	975	28.2	16.8		17.25						
HMH72B481S	TM8V120C20MP12C	21.0	XAFC60H	975	16.6	14.7		34.15	17.5					4.40
HMH72B481S	TM8V100C20MP12C	21.0	XAFC60H	1400	48.0	33.0	18.00	10.00	47.0	29.2	9.00	7.15	3.32	2.44
HMH72B481S	TM8V100C20MP12C	21.0	XAFC60H	975	28.2	16.8		17.25						
HMH72B481S	TM8V100C20MP12C	21.0	XAFC60H	975	16.6	14.7		34.15	17.5					4.40
HMH72B481S	TMLV120C20MP12C	21.0	XAFC60H	1400	48.0	33.0	18.00	10.00	47.0	29.2	9.00	7.15	3.32	2.44
HMH72B481S	TMLV120C20MP12C	21.0	XAFC60H	975	28.2	16.8		17.25						
HMH72B481S	TMLV120C20MP12C	21.0	XAFC60H	975	16.6	14.7		34.15	17.5					4.40
HMH72B481S	TPLC100C20MP13C	21.0	XAFC60H	1400	48.0	33.0	18.00	10.00	47.0	29.2	9.00	7.15	3.32	2.44
HMH72B481S	TPLC100C20MP13C	21.0	XAFC60H	975	28.2	16.8		17.25						
HMH72B481S	TPLC100C20MP13C	21.0	XAFC60H	975	16.6	14.7		34.15	17.5					4.40
HMH72B481S	TPLC120C20MP13C	21.0	XAFC60H	1400	48.0	33.0	18.00	10.00	47.0	29.2	9.00	7.15	3.32	2.44
HMH72B481S	TPLC120C20MP13C	21.0	XAFC60H	975	28.2	16.8		17.25						
HMH72B481S	TPLC120C20MP13C	21.0	XAFC60H	975	16.6	14.7		34.15	17.5					4.40
HMH72B481S	YPLC100C20MP13C	21.0	XAFC60H	1400	48.0	33.0	18.00	10.00	47.0	29.2	9.00	7.15	3.32	2.44
HMH72B481S	YPLC100C20MP13C	21.0	XAFC60H	975	28.2	16.8		17.25						

**Table 6: System capacity - with high efficiency motor furnaces**

Unit model	Furnace		Coil model	Rated CFM	Cooling				Heating					
	Model	Width			Net MBH		SEER	EER	Net MBH		HSPF	HSPF region V	COP	
					Total	Sens.			47°F OD	17°F OD			47°F OD	17°F OD
HMH72B481S	YPLC100C20MP13C	21.0	XAFC60H	975	16.6	14.7		34.15	17.5				4.40	
HMH72B481S	YPLC120C20MP13C	21.0	XAFC60H	1400	48.0	33.0	18.00	10.00	47.0	29.2	9.00	7.15	3.32	2.44
HMH72B481S	YPLC120C20MP13C	21.0	XAFC60H	975	28.2	16.8		17.25						
HMH72B481S	YPLC120C20MP13C	21.0	XAFC60H	975	16.6	14.7		34.15	17.5				4.40	
HMH72B481S	TM8V100C16MP12C	21.0	XAFC60H	1425	48.0	33.0	17.75	9.75	47.5	29.4	9.00	7.05	3.30	2.42
HMH72B481S	TM8V100C16MP12C	21.0	XAFC60H	975	28.2	16.9		17.00						
HMH72B481S	TM8V100C16MP12C	21.0	XAFC60H	975	16.5	14.7		32.60	17.6				4.34	
HMH72B481S	TM8V080C16MP12C	21.0	XAFC60H	1425	48.0	33.0	17.75	9.75	47.5	29.4	9.00	7.05	3.30	2.42
HMH72B481S	TM8V080C16MP12C	21.0	XAFC60H	975	28.2	16.9		17.00						
HMH72B481S	TM8V080C16MP12C	21.0	XAFC60H	975	16.5	14.7		32.60	17.6				4.34	
HMH72B481S	TMLV100C16MP12C	21.0	XAFC60H	1425	48.0	33.0	17.75	9.75	47.5	29.4	9.00	7.05	3.30	2.42
HMH72B481S	TMLV100C16MP12C	21.0	XAFC60H	975	28.2	16.9		17.00						
HMH72B481S	TMLV100C16MP12C	21.0	XAFC60H	975	16.5	14.7		32.60	17.6				4.34	
HMH72B481S	TPLC080C16MP13C	21.0	XAFC60H	1425	48.0	33.0	17.75	9.75	47.5	29.4	9.00	7.05	3.30	2.42
HMH72B481S	TPLC080C16MP13C	21.0	XAFC60H	975	28.2	16.9		17.00						
HMH72B481S	TPLC080C16MP13C	21.0	XAFC60H	975	16.5	14.7		32.60	17.6				4.34	
HMH72B481S	TPLC100C16MP13C	21.0	XAFC60H	1425	48.0	33.0	17.75	9.75	47.5	29.4	9.00	7.05	3.30	2.42
HMH72B481S	TPLC100C16MP13C	21.0	XAFC60H	975	28.2	16.9		17.00						
HMH72B481S	TPLC100C16MP13C	21.0	XAFC60H	975	16.5	14.7		32.60	17.6				4.34	
HMH72B481S	YPLC080C16MP13C	21.0	XAFC60H	1425	48.0	33.0	17.75	9.75	47.5	29.4	9.00	7.05	3.30	2.42
HMH72B481S	YPLC080C16MP13C	21.0	XAFC60H	975	28.2	16.9		17.00						
HMH72B481S	YPLC080C16MP13C	21.0	XAFC60H	975	16.5	14.7		32.60	17.6				4.34	
HMH72B481S	YPLC100C16MP13C	21.0	XAFC60H	1425	48.0	33.0	17.75	9.75	47.5	29.4	9.00	7.05	3.30	2.42
HMH72B481S	YPLC100C16MP13C	21.0	XAFC60H	975	28.2	16.9		17.00						
HMH72B481S	YPLC100C16MP13C	21.0	XAFC60H	975	16.5	14.7		32.60	17.6				4.34	
HMH72B481S	TL9E080C16UH11	24.5	XAFD60J	1400	46.5	32.8	17.75	9.75	46.5	29.6	9.00	7.20	3.34	2.42
HMH72B481S	TL9E080C16UH11	24.5	XAFD60J	950	28.0	17.2		16.90						
HMH72B481S	TL9E080C16UH11	24.5	XAFD60J	950	16.4	14.6		32.80	17.4				4.30	
HMH72B481S	TL9E080C16UH11	21.0	XAFC60H	1375	47.5	32.2	17.75	9.75	47.5	29.4	8.50	6.70	3.26	2.40
HMH72B481S	TL9E080C16UH11	21.0	XAFC60H	950	28.0	16.5		17.00						
HMH72B481S	TL9E080C16UH11	21.0	XAFC60H	950	16.4	14.5		32.95	17.5				4.32	
HMH72B481S	TL8E080C16UH11	21.0	XAFC60H	1350	47.5	32.2	17.75	10.00	47.0	29.2	9.00	7.10	3.26	2.42
HMH72B481S	TL8E080C16UH11	21.0	XAFC60H	1000	28.4	17.2		17.10						
HMH72B481S	TL8E080C16UH11	21.0	XAFC60H	1000	16.5	14.8		32.70	17.6				4.36	
HMH72B601S	TM9Y120D20MP11	24.5	XAFD60J	1575	57.0	38.0	16.50	8.25	57.0	36.6	9.30	6.75	3.20	2.46
HMH72B601S	TM9Y120D20MP11	24.5	XAFD60J	1275	34.6	21.4		15.80						
HMH72B601S	TM9Y120D20MP11	24.5	XAFD60J	1275	20.8	19.7		31.45	18.5				4.44	
HMH72B601S	TM9Y100C20MP11	24.5	XAFD60J	1550	57.0	38.0	16.00	8.25	57.0	36.6	9.30	6.60	3.18	2.44
HMH72B601S	TM9Y100C20MP11	24.5	XAFD60J	1200	34.0	20.2		15.50						
HMH72B601S	TM9Y100C20MP11	24.5	XAFD60J	1200	20.4	18.9		30.30	18.4				4.34	
HMH72B601S	TM9V120D20MP12C	24.5	XAFD60J	1800	58.0	40.0	16.50	8.25	58.5	37.4	9.30	6.65	3.24	2.46
HMH72B601S	TM9V120D20MP12C	24.5	XAFD60J	1125	33.8	19.2		16.00						
HMH72B601S	TM9V120D20MP12C	24.5	XAFD60J	1125	20.2	18.1		34.00	18.0				4.48	
HMH72B601S	TP9C120D20MP13C	24.5	XAFD60J	1800	58.0	40.0	16.50	8.25	58.5	37.4	9.30	6.65	3.24	2.46
HMH72B601S	TP9C120D20MP13C	24.5	XAFD60J	1125	33.8	19.2		16.00						
HMH72B601S	TP9C120D20MP13C	24.5	XAFD60J	1125	20.2	18.1		34.00	18.0				4.48	
HMH72B601S	YP9C120D20MP13C	24.5	XAFD60J	1800	58.0	40.0	16.50	8.25	58.5	37.4	9.30	6.65	3.24	2.46
HMH72B601S	YP9C120D20MP13C	24.5	XAFD60J	1125	33.8	19.2		16.00						
HMH72B601S	YP9C120D20MP13C	24.5	XAFD60J	1125	20.2	18.1		34.00	18.0				4.48	
HMH72B601S	TM9V100C20MP12C	24.5	XAFD60J	1600	57.0	38.0	16.25	8.25	57.5	36.8	9.30	6.65	3.18	2.44
HMH72B601S	TM9V100C20MP12C	24.5	XAFD60J	975	33.0	17.3		15.75						
HMH72B601S	TM9V100C20MP12C	24.5	XAFD60J	975	19.5	16.6		33.85	17.6				4.40	

**Table 6: System capacity - with high efficiency motor furnaces**

Unit model	Furnace		Coil model	Rated CFM	Cooling				Heating					
	Model	Width			Net MBH		SEER	EER	Net MBH		HSPF	HSPF region V	COP	
					Total	Sens.			47°F OD	17°F OD			47°F OD	17°F OD
HMH72B601S	TP9C100C20MP13C	24.5	XAFD60J	1600	57.0	38.0	16.25	8.25	57.5	36.8	9.30	6.65	3.18	2.44
HMH72B601S	TP9C100C20MP13C	24.5	XAFD60J	975	33.0	17.3		15.75						
HMH72B601S	TP9C100C20MP13C	24.5	XAFD60J	975	19.5	16.6		33.85	17.6				4.40	
HMH72B601S	YP9C100C20MP13C	24.5	XAFD60J	1600	57.0	38.0	16.25	8.25	57.5	36.8	9.30	6.65	3.18	2.44
HMH72B601S	YP9C100C20MP13C	24.5	XAFD60J	975	33.0	17.3		15.75						
HMH72B601S	YP9C100C20MP13C	24.5	XAFD60J	975	19.5	16.6		33.85	17.6				4.40	
HMH72B601S	TM9V100C16MP12C	24.5	XAFD60J	1600	57.0	38.0	16.25	8.25	57.5	36.8	9.30	6.65	3.18	2.44
HMH72B601S	TM9V100C16MP12C	24.5	XAFD60J	1100	33.6	18.9		15.75						
HMH72B601S	TM9V100C16MP12C	24.5	XAFD60J	1100	20.0	17.8		32.55	18.0				4.40	
HMH72B601S	TP9C100C16MP13C	24.5	XAFD60J	1600	57.0	38.0	16.25	8.25	57.5	36.8	9.30	6.65	3.18	2.44
HMH72B601S	TP9C100C16MP13C	24.5	XAFD60J	1100	33.6	18.9		15.75						
HMH72B601S	TP9C100C16MP13C	24.5	XAFD60J	1100	20.0	17.8		32.55	18.0				4.40	
HMH72B601S	YP9C100C16MP13C	24.5	XAFD60J	1600	57.0	38.0	16.25	8.25	57.5	36.8	9.30	6.65	3.18	2.44
HMH72B601S	YP9C100C16MP13C	24.5	XAFD60J	1100	33.6	18.9		15.75						
HMH72B601S	YP9C100C16MP13C	24.5	XAFD60J	1100	20.0	17.8		32.55	18.0				4.40	
HMH72B601S	TM9E120D20MP12	24.5	XAFD60J	1725	57.5	39.0	16.25	8.25	58.0	37.2	9.30	6.90	3.22	2.44
HMH72B601S	TM9E120D20MP12	24.5	XAFD60J	1275	34.6	21.4		15.75						
HMH72B601S	TM9E120D20MP12	24.5	XAFD60J	1275	20.8	19.7		31.25	18.5				4.42	
HMH72B601S	TM9E100C20MP12	24.5	XAFD60J	1700	57.5	39.0	16.25	8.25	58.0	37.0	9.30	6.75	3.22	2.46
HMH72B601S	TM9E100C20MP12	24.5	XAFD60J	1250	34.4	20.8		15.85						
HMH72B601S	TM9E100C20MP12	24.5	XAFD60J	1250	20.6	19.3		31.95	18.4				4.44	
HMH72B601S	TM9E080C20MP12	24.5	XAFD60J	1750	58.0	40.0	16.25	8.25	58.0	37.2	9.30	6.75	3.24	2.46
HMH72B601S	TM9E080C20MP12	24.5	XAFD60J	1275	34.6	21.4		15.90						
HMH72B601S	TM9E080C20MP12	24.5	XAFD60J	1275	20.8	19.6		31.95	18.5				4.46	
HMH72B601S	TM8V120C20MP12C	24.5	XAFD60J	1775	58.0	40.0	16.50	8.25	58.5	37.4	9.30	6.75	3.24	2.46
HMH72B601S	TM8V120C20MP12C	24.5	XAFD60J	1225	34.4	20.6		15.95						
HMH72B601S	TM8V120C20MP12C	24.5	XAFD60J	1225	20.6	19.1		32.75	18.3				4.48	
HMH72B601S	TM8V100C20MP12C	24.5	XAFD60J	1775	58.0	40.0	16.50	8.25	58.5	37.4	9.30	6.75	3.24	2.46
HMH72B601S	TM8V100C20MP12C	24.5	XAFD60J	1225	34.4	20.6		15.95						
HMH72B601S	TM8V100C20MP12C	24.5	XAFD60J	1225	20.6	19.1		32.75	18.3				4.48	
HMH72B601S	TMLV120C20MP12C	24.5	XAFD60J	1775	58.0	40.0	16.50	8.25	58.5	37.4	9.30	6.75	3.24	2.46
HMH72B601S	TMLV120C20MP12C	24.5	XAFD60J	1225	34.4	20.6		15.95						
HMH72B601S	TMLV120C20MP12C	24.5	XAFD60J	1225	20.6	19.1		32.75	18.3				4.48	
HMH72B601S	TPLC100C20MP13C	24.5	XAFD60J	1775	58.0	40.0	16.50	8.25	58.5	37.4	9.30	6.75	3.24	2.46
HMH72B601S	TPLC100C20MP13C	24.5	XAFD60J	1225	34.4	20.6		15.95						
HMH72B601S	TPLC100C20MP13C	24.5	XAFD60J	1225	20.6	19.1		32.75	18.3				4.48	
HMH72B601S	TPLC120C20MP13C	24.5	XAFD60J	1775	58.0	40.0	16.50	8.25	58.5	37.4	9.30	6.75	3.24	2.46
HMH72B601S	TPLC120C20MP13C	24.5	XAFD60J	1225	34.4	20.6		15.95						
HMH72B601S	TPLC120C20MP13C	24.5	XAFD60J	1225	20.6	19.1		32.75	18.3				4.48	
HMH72B601S	YPLC100C20MP13C	24.5	XAFD60J	1775	58.0	40.0	16.50	8.25	58.5	37.4	9.30	6.75	3.24	2.46
HMH72B601S	YPLC100C20MP13C	24.5	XAFD60J	1225	34.4	20.6		15.95						
HMH72B601S	YPLC100C20MP13C	24.5	XAFD60J	1225	20.6	19.1		32.75	18.3				4.48	
HMH72B601S	YPLC120C20MP13C	24.5	XAFD60J	1775	58.0	40.0	16.50	8.25	58.5	37.4	9.30	6.75	3.24	2.46
HMH72B601S	YPLC120C20MP13C	24.5	XAFD60J	1225	34.4	20.6		15.95						
HMH72B601S	YPLC120C20MP13C	24.5	XAFD60J	1225	20.6	19.1		32.75	18.3				4.48	
HMH72B601S	TM8E120C16MP11	24.5	XAFD60J	1575	57.0	38.0	16.25	8.25	57.5	36.6	9.30	6.75	3.18	2.44
HMH72B601S	TM8E120C16MP11	24.5	XAFD60J	1025	33.2	17.9		15.90						
HMH72B601S	TM8E120C16MP11	24.5	XAFD60J	1025	19.7	17.0		34.35	17.7				4.44	
HMH72B601S	TMLE120C16MP11	24.5	XAFD60J	1575	57.0	38.0	16.25	8.25	57.5	36.6	9.30	6.75	3.18	2.44
HMH72B601S	TMLE120C16MP11	24.5	XAFD60J	1025	33.2	17.9		15.90						
HMH72B601S	TMLE120C16MP11	24.5	XAFD60J	1025	19.7	17.0		34.35	17.7				4.44	
HMH72B241S	TM9Y080B12MP11	17.5	XAF/XAUB36D	875	22.2	16.9	16.75	10.00	21.4	14.6	9.30	6.30	3.22	2.42

**Table 6: System capacity - with high efficiency motor furnaces**

Unit model	Furnace		Coil model	Rated CFM	Cooling			Heating						
	Model	Width			Net MBH		SEER	EER	Net MBH		HSPF	HSPF region V	COP	
					Total	Sens.			47°F OD	17°F OD			47°F OD	17°F OD
HMH72B241S	TM9Y080B12MP11	17.5	XAF/XAUB36D	725	13.4	10.3		15.90						
HMH72B241S	TM9Y080B12MP11	17.5	XAF/XAUB36D	725	9.0	8.5		30.30	6.0				4.10	
HMH72B241S	TM9V080B12MP12C	17.5	XAF/XAUB36D	850	22.2	16.8	17.00	10.00	21.2	14.4	9.30	6.55	3.20	2.44
HMH72B241S	TM9V080B12MP12C	17.5	XAF/XAUB36D	600	13.2	9.0		16.10						
HMH72B241S	TM9V080B12MP12C	17.5	XAF/XAUB36D	600	8.9	8.0		32.45	5.7				4.26	
HMH72B241S	TP9C080B12MP13C	17.5	XAF/XAUB36D	850	22.2	16.8	17.00	10.00	21.2	14.4	9.30	6.55	3.20	2.44
HMH72B241S	TP9C080B12MP13C	17.5	XAF/XAUB36D	600	13.2	9.0		16.10						
HMH72B241S	TP9C080B12MP13C	17.5	XAF/XAUB36D	600	8.9	8.0		32.45	5.7				4.26	
HMH72B241S	YP9C080B12MP13C	17.5	XAF/XAUB36D	850	22.2	16.8	17.00	10.00	21.2	14.4	9.30	6.55	3.20	2.44
HMH72B241S	YP9C080B12MP13C	17.5	XAF/XAUB36D	600	13.2	9.0		16.10						
HMH72B241S	YP9C080B12MP13C	17.5	XAF/XAUB36D	600	8.9	8.0		32.45	5.7				4.26	
HMH72B241S	TM9V060B12MP12C	21.0	XAFC36D	875	22.2	16.9	17.00	10.00	21.4	14.6	9.30	6.70	3.22	2.42
HMH72B241S	TM9V060B12MP12C	21.0	XAFC36D	575	13.1	8.7		16.05						
HMH72B241S	TM9V060B12MP12C	21.0	XAFC36D	575	8.8	7.8		32.35	5.7				4.24	
HMH72B241S	TP9C060B12MP13C	21.0	XAFC36D	875	22.2	16.9	17.00	10.00	21.4	14.6	9.30	6.70	3.22	2.42
HMH72B241S	TP9C060B12MP13C	21.0	XAFC36D	575	13.1	8.7		16.05						
HMH72B241S	TP9C060B12MP13C	21.0	XAFC36D	575	8.8	7.8		32.35	5.7				4.24	
HMH72B241S	YP9C060B12MP13C	21.0	XAFC36D	875	22.2	16.9	17.00	10.00	21.4	14.6	9.30	6.70	3.22	2.42
HMH72B241S	YP9C060B12MP13C	21.0	XAFC36D	575	13.1	8.7		16.05						
HMH72B241S	YP9C060B12MP13C	21.0	XAFC36D	575	8.8	7.8		32.35	5.7				4.24	
HMH72B241S	TM9V060B12MP12C	17.5	XAF/XAUB36D	875	22.2	16.9	17.00	9.75	21.4	14.6	9.30	6.70	3.20	2.42
HMH72B241S	TM9V060B12MP12C	17.5	XAF/XAUB36D	575	13.1	8.7		16.00						
HMH72B241S	TM9V060B12MP12C	17.5	XAF/XAUB36D	575	8.8	7.8		32.10	5.7				4.22	
HMH72B241S	TP9C060B12MP13C	17.5	XAF/XAUB36D	875	22.2	16.9	17.00	9.75	21.4	14.6	9.30	6.70	3.20	2.42
HMH72B241S	TP9C060B12MP13C	17.5	XAF/XAUB36D	575	13.1	8.7		16.00						
HMH72B241S	TP9C060B12MP13C	17.5	XAF/XAUB36D	575	8.8	7.8		32.10	5.7				4.22	
HMH72B241S	YP9C060B12MP13C	17.5	XAF/XAUB36D	875	22.2	16.9	17.00	9.75	21.4	14.6	9.30	6.70	3.20	2.42
HMH72B241S	YP9C060B12MP13C	17.5	XAF/XAUB36D	575	13.1	8.7		16.00						
HMH72B241S	YP9C060B12MP13C	17.5	XAF/XAUB36D	575	8.8	7.8		32.10	5.7				4.22	
HMH72B241S	TM8Y080B12MP11	21.0	XAFC36D	825	22.2	16.7	17.00	10.00	21.0	14.3	9.30	6.70	3.18	2.42
HMH72B241S	TM8Y080B12MP11	21.0	XAFC36D	675	13.3	9.7		16.05						
HMH72B241S	TM8Y080B12MP11	21.0	XAFC36D	675	9.0	8.3		31.50	5.8				4.16	
HMH72B241S	TM8Y080B12MP11	17.5	XAF/XAUB36D	825	22.2	16.7	17.00	10.00	21.0	14.3	9.30	6.70	3.18	2.42
HMH72B241S	TM8Y080B12MP11	17.5	XAF/XAUB36D	675	13.3	9.7		16.05						
HMH72B241S	TM8Y080B12MP11	17.5	XAF/XAUB36D	675	9.0	8.3		31.35	5.9				4.16	
HMH72B241S	TM8Y060A12MP11	17.5	XAF/XAUB36D	775	21.8	16.1	16.75	10.00	21.0	14.2	9.30	6.25	3.10	2.38
HMH72B241S	TM8Y060A12MP11	17.5	XAF/XAUB36D	650	13.2	9.4		15.90						
HMH72B241S	TM8Y060A12MP11	17.5	XAF/XAUB36D	650	8.9	8.2		30.80	5.8				4.10	
HMH72B241S	TM8V080B12MP12C	21.0	XAFC36D	825	22.0	16.5	17.00	10.00	21.2	14.4	9.30	6.15	3.16	2.40
HMH72B241S	TM8V080B12MP12C	21.0	XAFC36D	550	13.0	8.4		15.95						
HMH72B241S	TM8V080B12MP12C	21.0	XAFC36D	550	8.7	7.6		32.15	5.6				4.18	
HMH72B241S	TPLC080B12MP13C	21.0	XAFC36D	825	22.0	16.5	17.00	10.00	21.2	14.4	9.30	6.15	3.16	2.40
HMH72B241S	TPLC080B12MP13C	21.0	XAFC36D	550	13.0	8.4		15.95						
HMH72B241S	TPLC080B12MP13C	21.0	XAFC36D	550	8.7	7.6		32.15	5.6				4.18	
HMH72B241S	YPLC080B12MP13C	21.0	XAFC36D	825	22.0	16.5	17.00	10.00	21.2	14.4	9.30	6.15	3.16	2.40
HMH72B241S	YPLC080B12MP13C	21.0	XAFC36D	550	13.0	8.4		15.95						
HMH72B241S	YPLC080B12MP13C	21.0	XAFC36D	550	8.7	7.6		32.15	5.6				4.18	
HMH72B241S	TL8E060A12UH11	17.5	XAF/XAUB36D	850	22.2	16.8	17.00	10.00	21.2	14.4	9.30	6.10	3.20	2.42
HMH72B241S	TL8E060A12UH11	17.5	XAF/XAUB36D	675	13.3	9.7		16.15						
HMH72B241S	TL8E060A12UH11	17.5	XAF/XAUB36D	675	9.0	8.3		31.85	5.9				4.10	
HMH72B481S	TM9V100C16MP12C	24.5	XAFD60J	1600	47.5	35.0	17.50	9.50	47.5	31.0	9.30	6.70	3.42	2.48
HMH72B481S	TM9V100C16MP12C	24.5	XAFD60J	1100	28.8	19.3		16.90						



**Table 6: System capacity - with high efficiency motor furnaces**

Unit model	Furnace		Coil model	Rated CFM	Cooling				Heating					
	Model	Width			Net MBH		SEER	EER	Net MBH		HSPF	HSPF region V	COP	
					Total	Sens.			47°F OD	17°F OD			47°F OD	17°F OD
HMH72B481S	TM9V100C16MP12C	24.5	XAFD60J	1100	16.7	15.7		30.95	17.6				4.30	
HMH72B481S	TP9C100C16MP13C	24.5	XAFD60J	1600	47.5	35.0	17.50	9.50	47.5	31.0	9.30	6.70	3.42	2.48
HMH72B481S	TP9C100C16MP13C	24.5	XAFD60J	1100	28.8	19.3		16.90						
HMH72B481S	TP9C100C16MP13C	24.5	XAFD60J	1100	16.7	15.7		30.95	17.6				4.30	
HMH72B481S	YP9C100C16MP13C	24.5	XAFD60J	1600	47.5	35.0	17.50	9.50	47.5	31.0	9.30	6.70	3.42	2.48
HMH72B481S	YP9C100C16MP13C	24.5	XAFD60J	1100	28.8	19.3		16.90						
HMH72B481S	YP9C100C16MP13C	24.5	XAFD60J	1100	16.7	15.7		30.95	17.6				4.30	
HMH72B481S	TM8V120C20MP12C	24.5	XAFD60J	1550	47.5	34.8	18.00	9.75	47.0	29.8	9.30	6.60	3.44	2.48
HMH72B481S	TM8V120C20MP12C	24.5	XAFD60J	1075	28.8	19.0		17.20						
HMH72B481S	TM8V120C20MP12C	24.5	XAFD60J	1075	16.7	15.5		33.00	17.8				4.46	
HMH72B481S	TM8V100C20MP12C	24.5	XAFD60J	1550	47.5	34.8	18.00	9.75	47.0	29.8	9.30	6.60	3.44	2.48
HMH72B481S	TM8V100C20MP12C	24.5	XAFD60J	1075	28.8	19.0		17.20						
HMH72B481S	TM8V100C20MP12C	24.5	XAFD60J	1075	16.7	15.5		33.00	17.8				4.46	
HMH72B481S	TMLV120C20MP12C	24.5	XAFD60J	1550	47.5	34.8	18.00	9.75	47.0	29.8	9.30	6.60	3.44	2.48
HMH72B481S	TMLV120C20MP12C	24.5	XAFD60J	1075	28.8	19.0		17.20						
HMH72B481S	TMLV120C20MP12C	24.5	XAFD60J	1075	16.7	15.5		33.00	17.8				4.46	
HMH72B481S	TPLC100C20MP13C	24.5	XAFD60J	1550	47.5	34.8	18.00	9.75	47.0	29.8	9.30	6.60	3.44	2.48
HMH72B481S	TPLC100C20MP13C	24.5	XAFD60J	1075	28.8	19.0		17.20						
HMH72B481S	TPLC100C20MP13C	24.5	XAFD60J	1075	16.7	15.5		33.00	17.8				4.46	
HMH72B481S	TPLC120C20MP13C	24.5	XAFD60J	1550	47.5	34.8	18.00	9.75	47.0	29.8	9.30	6.60	3.44	2.48
HMH72B481S	TPLC120C20MP13C	24.5	XAFD60J	1075	28.8	19.0		17.20						
HMH72B481S	TPLC120C20MP13C	24.5	XAFD60J	1075	16.7	15.5		33.00	17.8				4.46	
HMH72B481S	YPLC100C20MP13C	24.5	XAFD60J	1550	47.5	34.8	18.00	9.75	47.0	29.8	9.30	6.60	3.44	2.48
HMH72B481S	YPLC100C20MP13C	24.5	XAFD60J	1075	28.8	19.0		17.20						
HMH72B481S	YPLC100C20MP13C	24.5	XAFD60J	1075	16.7	15.5		33.00	17.8				4.46	
HMH72B481S	YPLC120C20MP13C	24.5	XAFD60J	1550	47.5	34.8	18.00	9.75	47.0	29.8	9.30	6.60	3.44	2.48
HMH72B481S	YPLC120C20MP13C	24.5	XAFD60J	1075	28.8	19.0		17.20						
HMH72B481S	YPLC120C20MP13C	24.5	XAFD60J	1075	16.7	15.5		33.00	17.8				4.46	
HMH72B481S	TM8E120C16MP11	24.5	XAFD60J	1575	47.5	34.8	18.00	9.75	47.0	30.2	9.30	6.70	3.40	2.46
HMH72B481S	TM8E120C16MP11	24.5	XAFD60J	900	27.8	16.4		17.20						
HMH72B481S	TM8E120C16MP11	24.5	XAFD60J	900	16.4	14.2		35.45	17.2				4.32	
HMH72B481S	TMLE120C16MP11	24.5	XAFD60J	1575	47.5	34.8	18.00	9.75	47.0	30.2	9.30	6.70	3.40	2.46
HMH72B481S	TMLE120C16MP11	24.5	XAFD60J	900	27.8	16.4		17.20						
HMH72B481S	TMLE120C16MP11	24.5	XAFD60J	900	16.4	14.2		35.45	17.2				4.32	
HMH72B481S	TM8E100C16MP11	24.5	XAFD60J	1575	47.5	34.8	17.75	9.50	47.5	30.2	9.30	6.70	3.40	2.44
HMH72B481S	TM8E100C16MP11	24.5	XAFD60J	875	27.8	16.2		17.10						
HMH72B481S	TM8E100C16MP11	24.5	XAFD60J	875	16.4	14.1		35.30	17.1				4.30	
HMH72B481S	TMLE100C16MP11	24.5	XAFD60J	1575	47.5	34.8	17.75	9.50	47.5	30.2	9.30	6.70	3.40	2.44
HMH72B481S	TMLE100C16MP11	24.5	XAFD60J	875	27.8	16.2		17.10						
HMH72B481S	TMLE100C16MP11	24.5	XAFD60J	875	16.4	14.1		35.30	17.1				4.30	
HMH72B481S	TM8E080C16MP11	24.5	XAFD60J	1575	47.5	34.8	18.00	9.50	47.5	30.2	9.30	6.70	3.40	2.44
HMH72B481S	TM8E080C16MP11	24.5	XAFD60J	900	27.8	16.5		17.15						
HMH72B481S	TM8E080C16MP11	24.5	XAFD60J	900	16.4	14.2		35.20	17.2				4.32	
HMH72B481S	TMLE080C16MP11	24.5	XAFD60J	1575	47.5	34.8	18.00	9.50	47.5	30.2	9.30	6.70	3.40	2.44
HMH72B481S	TMLE080C16MP11	24.5	XAFD60J	900	27.8	16.5		17.15						
HMH72B481S	TMLE080C16MP11	24.5	XAFD60J	900	16.4	14.2		35.20	17.2				4.32	
HMH72B361S	TM9V080C16MP12C	21.0	CU/CU/CF/CM36C	1225	35.6	25.8	17.00	9.00	34.6	24.4	9.50	7.40	3.20	2.52
HMH72B361S	TM9V080C16MP12C	21.0	CU/CU/CF/CM36C	800	22.2	13.4		16.15						
HMH72B361S	TM9V080C16MP12C	21.0	CU/CU/CF/CM36C	800	14.3	12.4		31.90	9.7				4.44	

**Table 6: System capacity - with high efficiency motor furnaces**

Unit model	Furnace		Coil model	Rated CFM	Cooling				Heating					
	Model	Width			Net MBH		SEER	EER	Net MBH		HSPF	HSPF region V	COP	
					Total	Sens.			47°F OD	17°F OD			47°F OD	17°F OD
HMH72B361S	TP9C080C16MP13C	21.0	CU/CU/CF/CM36C	1225	35.6	25.8	17.00	9.00	34.6	24.4	9.50	7.40	3.20	2.52
HMH72B361S	TP9C080C16MP13C	21.0	CU/CU/CF/CM36C	800	22.2	13.4		16.15						
HMH72B361S	TP9C080C16MP13C	21.0	CU/CU/CF/CM36C	800	14.3	12.4		31.90	9.7				4.44	
HMH72B361S	YP9C080C16MP13C	21.0	CU/CU/CF/CM36C	1225	35.6	25.8	17.00	9.00	34.6	24.4	9.50	7.40	3.20	2.52
HMH72B361S	YP9C080C16MP13C	21.0	CU/CU/CF/CM36C	800	22.2	13.4		16.15						
HMH72B361S	YP9C080C16MP13C	21.0	CU/CU/CF/CM36C	800	14.3	12.4		31.90	9.7				4.44	
HMH72B361S	TM9V080B12MP12C	21.0	CU/CU/CF/CM36C	1150	35.4	25.2	17.00	9.00	34.0	24.4	9.50	7.55	3.12	2.50
HMH72B361S	TM9V080B12MP12C	21.0	CU/CU/CF/CM36C	750	21.8	12.6		16.05						
HMH72B361S	TM9V080B12MP12C	21.0	CU/CU/CF/CM36C	750	14.2	12.0		31.85	9.6				4.40	
HMH72B361S	TP9C080B12MP13C	21.0	CU/CU/CF/CM36C	1150	35.4	25.2	17.00	9.00	34.0	24.4	9.50	7.55	3.12	2.50
HMH72B361S	TP9C080B12MP13C	21.0	CU/CU/CF/CM36C	750	21.8	12.6		16.05						
HMH72B361S	TP9C080B12MP13C	21.0	CU/CU/CF/CM36C	750	14.2	12.0		31.85	9.6				4.40	
HMH72B361S	YP9C080B12MP13C	21.0	CU/CU/CF/CM36C	1150	35.4	25.2	17.00	9.00	34.0	24.4	9.50	7.55	3.12	2.50
HMH72B361S	YP9C080B12MP13C	21.0	CU/CU/CF/CM36C	750	21.8	12.6		16.05						
HMH72B361S	YP9C080B12MP13C	21.0	CU/CU/CF/CM36C	750	14.2	12.0		31.85	9.6				4.40	
HMH72B361S	TM9V060B12MP12C	21.0	CU/CU/CF/CM36C	1225	35.2	25.4	16.50	8.50	35.0	25.0	9.50	7.30	3.12	2.46
HMH72B361S	TM9V060B12MP12C	21.0	CU/CU/CF/CM36C	750	21.8	12.7		15.85						
HMH72B361S	TM9V060B12MP12C	21.0	CU/CU/CF/CM36C	750	14.2	12.1		30.90	9.6				4.34	
HMH72B361S	TP9C060B12MP13C	21.0	CU/CU/CF/CM36C	1225	35.2	25.4	16.50	8.50	35.0	25.0	9.50	7.30	3.12	2.46
HMH72B361S	TP9C060B12MP13C	21.0	CU/CU/CF/CM36C	750	21.8	12.7		15.85						
HMH72B361S	TP9C060B12MP13C	21.0	CU/CU/CF/CM36C	750	14.2	12.1		30.90	9.6				4.34	
HMH72B361S	YP9C060B12MP13C	21.0	CU/CU/CF/CM36C	1225	35.2	25.4	16.50	8.50	35.0	25.0	9.50	7.30	3.12	2.46
HMH72B361S	YP9C060B12MP13C	21.0	CU/CU/CF/CM36C	750	21.8	12.7		15.85						
HMH72B361S	YP9C060B12MP13C	21.0	CU/CU/CF/CM36C	750	14.2	12.1		30.90	9.6				4.34	
HMH72B361S	TM9V040A10MP12C	14.5	CF/CM36A	900	34.2	22.6	16.00	8.75	32.0	24.0	9.50	7.50	2.86	2.42
HMH72B361S	TM9V040A10MP12C	14.5	CF/CM36A	575	21.0	10.6		15.40						
HMH72B361S	TM9V040A10MP12C	14.5	CF/CM36A	575	13.7	10.5		30.10	9.3				4.14	
HMH72B361S	TM9E080C16MP12	21.0	CU/CU/CF/CM36C	1275	35.8	26.4	17.00	9.00	35.2	24.6	9.50	7.20	3.26	2.54
HMH72B361S	TM9E080C16MP12	21.0	CU/CU/CF/CM36C	825	22.2	13.6		16.35						
HMH72B361S	TM9E080C16MP12	21.0	CU/CU/CF/CM36C	825	14.4	12.6		32.75	9.7				4.50	
HMH72B361S	TM9E080B12MP12	17.5	CF/CM/CU36B	1225	35.4	25.6	16.50	8.75	35.0	24.8	9.50	7.05	3.16	2.48
HMH72B361S	TM9E080B12MP12	17.5	CF/CM/CU36B	825	22.2	13.7		15.90						
HMH72B361S	TM9E080B12MP12	17.5	CF/CM/CU36B	825	14.3	12.6		30.45	9.8				4.34	
HMH72B361S	TM9E060B12MP12	17.5	CF/CM/CU36B	1075	35.0	24.4	16.25	8.75	33.6	24.4	9.50	7.30	3.04	2.46
HMH72B361S	TM9E060B12MP12	17.5	CF/CM/CU36B	775	22.0	13.1		15.70						
HMH72B361S	TM9E060B12MP12	17.5	CF/CM/CU36B	775	14.2	12.3		29.85	9.7				4.26	



**Table 6: System capacity - with high efficiency motor furnaces**

Unit model	Furnace		Coil model	Rated CFM	Cooling				Heating					
	Model	Width			Net MBH		SEER	EER	Net MBH		HSPF	HSPF region V	COP	
					Total	Sens.			47°F OD	17°F OD			47°F OD	17°F OD
HMH72B361S	TM9E060A10MP12	14.5	CF/CM36A	975	34.4	23.2	16.25	8.75	32.8	24.2	9.50	7.45	2.92	2.42
HMH72B361S	TM9E060A10MP12	14.5	CF/CM36A	700	21.6	12.2		15.50						
HMH72B361S	TM9E060A10MP12	14.5	CF/CM36A	700	14.0	11.6		29.45	9.6				4.18	
HMH72B361S	TM8V120C20MP12C	21.0	CU/CU/CF/CM36C	1375	36.0	27.2	17.50	9.00	35.8	24.6	9.50	6.95	3.40	2.58
HMH72B361S	TM8V120C20MP12C	21.0	CU/CU/CF/CM36C	925	22.8	14.9		16.60						
HMH72B361S	TM8V120C20MP12C	21.0	CU/CU/CF/CM36C	925	14.7	13.5		33.20	9.9				4.64	
HMH72B361S	TM8V100C20MP12C	21.0	CU/CU/CF/CM36C	1375	36.0	27.2	17.50	9.00	35.8	24.6	9.50	6.95	3.40	2.58
HMH72B361S	TM8V100C20MP12C	21.0	CU/CU/CF/CM36C	925	22.8	14.9		16.60						
HMH72B361S	TM8V100C20MP12C	21.0	CU/CU/CF/CM36C	925	14.7	13.5		33.20	9.9				4.64	
HMH72B361S	TMLV120C20MP12C	21.0	CU/CU/CF/CM36C	1375	36.0	27.2	17.50	9.00	35.8	24.6	9.50	6.95	3.40	2.58
HMH72B361S	TMLV120C20MP12C	21.0	CU/CU/CF/CM36C	925	22.8	14.9		16.60						
HMH72B361S	TMLV120C20MP12C	21.0	CU/CU/CF/CM36C	925	14.7	13.5		33.20	9.9				4.64	
HMH72B361S	TPLC100C20MP13C	21.0	CU/CU/CF/CM36C	1375	36.0	27.2	17.50	9.00	35.8	24.6	9.50	6.95	3.40	2.58
HMH72B361S	TPLC100C20MP13C	21.0	CU/CU/CF/CM36C	925	22.8	14.9		16.60						
HMH72B361S	TPLC100C20MP13C	21.0	CU/CU/CF/CM36C	925	14.7	13.5		33.20	9.9				4.64	
HMH72B361S	TPLC120C20MP13C	21.0	CU/CU/CF/CM36C	1375	36.0	27.2	17.50	9.00	35.8	24.6	9.50	6.95	3.40	2.58
HMH72B361S	TPLC120C20MP13C	21.0	CU/CU/CF/CM36C	925	22.8	14.9		16.60						
HMH72B361S	TPLC120C20MP13C	21.0	CU/CU/CF/CM36C	925	14.7	13.5		33.20	9.9				4.64	
HMH72B361S	YPLC100C20MP13C	21.0	CU/CU/CF/CM36C	1375	36.0	27.2	17.50	9.00	35.8	24.6	9.50	6.95	3.40	2.58
HMH72B361S	YPLC100C20MP13C	21.0	CU/CU/CF/CM36C	925	22.8	14.9		16.60						
HMH72B361S	YPLC100C20MP13C	21.0	CU/CU/CF/CM36C	925	14.7	13.5		33.20	9.9				4.64	
HMH72B361S	YPLC120C20MP13C	21.0	CU/CU/CF/CM36C	1375	36.0	27.2	17.50	9.00	35.8	24.6	9.50	6.95	3.40	2.58
HMH72B361S	YPLC120C20MP13C	21.0	CU/CU/CF/CM36C	925	22.8	14.9		16.60						
HMH72B361S	YPLC120C20MP13C	21.0	CU/CU/CF/CM36C	925	14.7	13.5		33.20	9.9				4.64	
HMH72B361S	TM8V100C16MP12C	21.0	CU/CU/CF/CM36C	1275	36.0	26.6	17.00	9.00	35.0	24.6	9.50	7.10	3.28	2.54
HMH72B361S	TM8V100C16MP12C	21.0	CU/CU/CF/CM36C	850	22.4	14.0		16.35						
HMH72B361S	TM8V100C16MP12C	21.0	CU/CU/CF/CM36C	850	14.5	12.9		32.45	9.7				4.52	
HMH72B361S	TM8V080C16MP12C	21.0	CU/CU/CF/CM36C	1275	36.0	26.6	17.00	9.00	35.0	24.6	9.50	7.10	3.28	2.54
HMH72B361S	TM8V080C16MP12C	21.0	CU/CU/CF/CM36C	850	22.4	14.0		16.35						
HMH72B361S	TM8V080C16MP12C	21.0	CU/CU/CF/CM36C	850	14.5	12.9		32.45	9.7				4.52	
HMH72B361S	TMLV100C16MP12C	21.0	CU/CU/CF/CM36C	1275	36.0	26.6	17.00	9.00	35.0	24.6	9.50	7.10	3.28	2.54
HMH72B361S	TMLV100C16MP12C	21.0	CU/CU/CF/CM36C	850	22.4	14.0		16.35						
HMH72B361S	TMLV100C16MP12C	21.0	CU/CU/CF/CM36C	850	14.5	12.9		32.45	9.7				4.52	

**Table 6: System capacity - with high efficiency motor furnaces**

Unit model	Furnace		Coil model	Rated CFM	Cooling				Heating					
	Model	Width			Net MBH		SEER	EER	Net MBH		HSPF	HSPF region V	COP	
					Total	Sens.			47°F OD	17°F OD			47°F OD	17°F OD
HMH72B361S	TPLC080C16MP13C	21.0	CU/CU/CF/CM36C	1275	36.0	26.6	17.00	9.00	35.0	24.6	9.50	7.10	3.28	2.54
HMH72B361S	TPLC080C16MP13C	21.0	CU/CU/CF/CM36C	850	22.4	14.0		16.35						
HMH72B361S	TPLC080C16MP13C	21.0	CU/CU/CF/CM36C	850	14.5	12.9		32.45	9.7				4.52	
HMH72B361S	TPLC100C16MP13C	21.0	CU/CU/CF/CM36C	1275	36.0	26.6	17.00	9.00	35.0	24.6	9.50	7.10	3.28	2.54
HMH72B361S	TPLC100C16MP13C	21.0	CU/CU/CF/CM36C	850	22.4	14.0		16.35						
HMH72B361S	TPLC100C16MP13C	21.0	CU/CU/CF/CM36C	850	14.5	12.9		32.45	9.7				4.52	
HMH72B361S	YPLC080C16MP13C	21.0	CU/CU/CF/CM36C	1275	36.0	26.6	17.00	9.00	35.0	24.6	9.50	7.10	3.28	2.54
HMH72B361S	YPLC080C16MP13C	21.0	CU/CU/CF/CM36C	850	22.4	14.0		16.35						
HMH72B361S	YPLC080C16MP13C	21.0	CU/CU/CF/CM36C	850	14.5	12.9		32.45	9.7				4.52	
HMH72B361S	YPLC100C16MP13C	21.0	CU/CU/CF/CM36C	1275	36.0	26.6	17.00	9.00	35.0	24.6	9.50	7.10	3.28	2.54
HMH72B361S	YPLC100C16MP13C	21.0	CU/CU/CF/CM36C	850	22.4	14.0		16.35						
HMH72B361S	YPLC100C16MP13C	21.0	CU/CU/CF/CM36C	850	14.5	12.9		32.45	9.7				4.52	
HMH72B361S	TM8V060A12MP12C	17.5	CF/CM/CU36B	1275	35.6	26.2	16.50	8.75	35.4	25.0	9.50	7.25	3.20	2.48
HMH72B361S	TM8V060A12MP12C	17.5	CF/CM/CU36B	850	22.2	13.9		15.95						
HMH72B361S	TM8V060A12MP12C	17.5	CF/CM/CU36B	850	14.4	12.9		30.40	9.8				4.38	
HMH72B361S	TMLV060A12MP12C	17.5	CF/CM/CU36B	1275	35.6	26.2	16.50	8.75	35.4	25.0	9.50	7.25	3.20	2.48
HMH72B361S	TMLV060A12MP12C	17.5	CF/CM/CU36B	850	22.2	13.9		15.95						
HMH72B361S	TMLV060A12MP12C	17.5	CF/CM/CU36B	850	14.4	12.9		30.40	9.8				4.38	
HMH72B361S	TPLC060A12MP13C	17.5	CF/CM/CU36B	1275	35.6	26.2	16.50	8.75	35.4	25.0	9.50	7.25	3.20	2.48
HMH72B361S	TPLC060A12MP13C	17.5	CF/CM/CU36B	850	22.2	13.9		15.95						
HMH72B361S	TPLC060A12MP13C	17.5	CF/CM/CU36B	850	14.4	12.9		30.40	9.8				4.38	
HMH72B361S	YPLC060A12MP13C	17.5	CF/CM/CU36B	1275	35.6	26.2	16.50	8.75	35.4	25.0	9.50	7.25	3.20	2.48
HMH72B361S	YPLC060A12MP13C	17.5	CF/CM/CU36B	850	22.2	13.9		15.95						
HMH72B361S	YPLC060A12MP13C	17.5	CF/CM/CU36B	850	14.4	12.9		30.40	9.8				4.38	
HMH72B361S	TM8V060A12MP12C	14.5	CF/CM36A	1050	34.8	24.0	16.50	8.75	33.2	24.2	9.50	7.45	3.00	2.46
HMH72B361S	TM8V060A12MP12C	14.5	CF/CM36A	725	21.8	12.5		15.85						
HMH72B361S	TM8V060A12MP12C	14.5	CF/CM36A	725	14.1	11.8		30.90	9.6				4.30	
HMH72B361S	TMLV060A12MP12C	14.5	CF/CM36A	1050	34.8	24.0	16.50	8.75	33.2	24.2	9.50	7.45	3.00	2.46
HMH72B361S	TMLV060A12MP12C	14.5	CF/CM36A	725	21.8	12.5		15.85						
HMH72B361S	TMLV060A12MP12C	14.5	CF/CM36A	725	14.1	11.8		30.90	9.6				4.30	
HMH72B361S	TPLC060A12MP13C	14.5	CF/CM36A	1050	34.8	24.0	16.50	8.75	33.2	24.2	9.50	7.45	3.00	2.46
HMH72B361S	TPLC060A12MP13C	14.5	CF/CM36A	725	21.8	12.5		15.85						
HMH72B361S	TPLC060A12MP13C	14.5	CF/CM36A	725	14.1	11.8		30.90	9.6				4.30	
HMH72B361S	YPLC060A12MP13C	14.5	CF/CM36A	1050	34.8	24.0	16.50	8.75	33.2	24.2	9.50	7.45	3.00	2.46
HMH72B361S	YPLC060A12MP13C	14.5	CF/CM36A	725	21.8	12.5		15.85						
HMH72B361S	YPLC060A12MP13C	14.5	CF/CM36A	725	14.1	11.8		30.90	9.6				4.30	
HMH72B361S	TM8E120C16MP11	21.0	CU/CU/CF/CM36C	1300	36.0	26.8	17.25	9.00	35.2	24.6	9.50	7.20	3.30	2.56
HMH72B361S	TM8E120C16MP11	21.0	CU/CU/CF/CM36C	875	22.4	14.2		16.50						
HMH72B361S	TM8E120C16MP11	21.0	CU/CU/CF/CM36C	875	14.6	13.1		33.00	9.8				4.56	
HMH72B361S	TMLE120C16MP11	21.0	CU/CU/CF/CM36C	1300	36.0	26.8	17.25	9.00	35.2	24.6	9.50	7.20	3.30	2.56
HMH72B361S	TMLE120C16MP11	21.0	CU/CU/CF/CM36C	875	22.4	14.2		16.50						

**Table 6: System capacity - with high efficiency motor furnaces**

Unit model	Furnace		Coil model	Rated CFM	Cooling				Heating					
	Model	Width			Net MBH		SEER	EER	Net MBH		HSPF	HSPF region V	COP	
					Total	Sens.			47°F OD	17°F OD			47°F OD	17°F OD
HMH72B361S	TMLE120C16MP11	21.0	CU/CU/CF/CM36C	875	14.6	13.1		33.00	9.8				4.56	
HMH72B361S	TM8E100C16MP11	21.0	CU/CU/CF/CM36C	1300	36.0	26.8	17.25	9.00	35.2	24.6	9.50	7.20	3.30	2.56
HMH72B361S	TM8E100C16MP11	21.0	CU/CU/CF/CM36C	875	22.4	14.2		16.50						
HMH72B361S	TM8E100C16MP11	21.0	CU/CU/CF/CM36C	875	14.6	13.1		33.10	9.8				4.58	
HMH72B361S	TMLE100C16MP11	21.0	CU/CU/CF/CM36C	1300	36.0	26.8	17.25	9.00	35.2	24.6	9.50	7.20	3.30	2.56
HMH72B361S	TMLE100C16MP11	21.0	CU/CU/CF/CM36C	875	22.4	14.2		16.50						
HMH72B361S	TMLE100C16MP11	21.0	CU/CU/CF/CM36C	875	14.6	13.1		33.10	9.8				4.58	
HMH72B361S	TM8E100B12MP11	21.0	CU/CU/CF/CM36C	1250	35.8	26.2	17.00	9.00	35.0	24.6	9.50	7.35	3.22	2.52
HMH72B361S	TM8E100B12MP11	21.0	CU/CU/CF/CM36C	800	22.2	13.4		16.35						
HMH72B361S	TM8E100B12MP11	21.0	CU/CU/CF/CM36C	800	14.4	12.5		33.05	9.6				4.50	
HMH72B361S	TMLE100B12MP11	21.0	CU/CU/CF/CM36C	1250	35.8	26.2	17.00	9.00	35.0	24.6	9.50	7.35	3.22	2.52
HMH72B361S	TMLE100B12MP11	21.0	CU/CU/CF/CM36C	800	22.2	13.4		16.35						
HMH72B361S	TMLE100B12MP11	21.0	CU/CU/CF/CM36C	800	14.4	12.5		33.05	9.6				4.50	
HMH72B361S	TM8E080C16MP11	21.0	CU/CU/CF/CM36C	1275	36.0	26.6	17.25	9.00	35.0	24.4	9.50	7.25	3.28	2.56
HMH72B361S	TM8E080C16MP11	21.0	CU/CU/CF/CM36C	875	22.4	14.2		16.40						
HMH72B361S	TM8E080C16MP11	21.0	CU/CU/CF/CM36C	875	14.5	13.0		32.65	9.8				4.54	
HMH72B361S	TMLE080C16MP11	21.0	CU/CU/CF/CM36C	1275	36.0	26.6	17.25	9.00	35.0	24.4	9.50	7.25	3.28	2.56
HMH72B361S	TMLE080C16MP11	21.0	CU/CU/CF/CM36C	875	22.4	14.2		16.40						
HMH72B361S	TMLE080C16MP11	21.0	CU/CU/CF/CM36C	875	14.5	13.0		32.65	9.8				4.54	
HMH72B361S	TM8E080B12MP11	21.0	CU/CU/CF/CM36C	1250	35.6	26.0	16.50	8.75	35.0	24.6	9.50	6.90	3.20	2.50
HMH72B361S	TM8E080B12MP11	21.0	CU/CU/CF/CM36C	950	22.6	15.1		15.85						
HMH72B361S	TM8E080B12MP11	21.0	CU/CU/CF/CM36C	950	14.6	13.8		29.15	10.1				4.34	
HMH72B361S	TMLE080B12MP11	21.0	CU/CU/CF/CM36C	1250	35.6	26.0	16.50	8.75	35.0	24.6	9.50	6.90	3.20	2.50
HMH72B361S	TMLE080B12MP11	21.0	CU/CU/CF/CM36C	950	22.6	15.1		15.85						
HMH72B361S	TMLE080B12MP11	21.0	CU/CU/CF/CM36C	950	14.6	13.8		29.15	10.1				4.34	
HMH72B361S	TM8E060A12MP11	17.5	CF/CM/CU36B	1225	35.6	25.8	16.75	8.75	34.8	24.6	9.75	7.45	3.16	2.50
HMH72B361S	TM8E060A12MP11	17.5	CF/CM/CU36B	800	22.0	13.2		16.10						
HMH72B361S	TM8E060A12MP11	17.5	CF/CM/CU36B	800	14.3	12.4		31.60	9.7				4.40	
HMH72B361S	TMLE060A12MP11	17.5	CF/CM/CU36B	1225	35.6	25.8	16.75	8.75	34.8	24.6	9.75	7.45	3.16	2.50
HMH72B361S	TMLE060A12MP11	17.5	CF/CM/CU36B	800	22.0	13.2		16.10						
HMH72B361S	TMLE060A12MP11	17.5	CF/CM/CU36B	800	14.3	12.4		31.60	9.7				4.40	
HMH72B361S	TM8E060A12MP11	14.5	CF/CM36A	1150	35.0	24.8	16.50	8.75	34.4	24.6	9.50	7.35	3.06	2.46
HMH72B361S	TM8E060A12MP11	14.5	CF/CM36A	775	22.0	13.1		15.90						
HMH72B361S	TM8E060A12MP11	14.5	CF/CM36A	775	14.2	12.2		30.85	9.7				4.32	
HMH72B361S	TMLE060A12MP11	14.5	CF/CM36A	1150	35.0	24.8	16.50	8.75	34.4	24.6	9.50	7.35	3.06	2.46
HMH72B361S	TMLE060A12MP11	14.5	CF/CM36A	775	22.0	13.1		15.90						
HMH72B361S	TMLE060A12MP11	14.5	CF/CM36A	775	14.2	12.2		30.85	9.7				4.32	

**Table 6: System capacity - with high efficiency motor furnaces**

Unit model	Furnace		Coil model	Rated CFM	Cooling				Heating					
	Model	Width			Net MBH		SEER	EER	Net MBH		HSPF	HSPF region V	COP	
					Total	Sens.			47°F OD	17°F OD			47°F OD	17°F OD
HMH72B361S	TM8E040A12MP11	17.5	CF/CM/CU36B	1200	35.6	25.8	17.00	8.75	34.6	24.6	9.50	7.50	3.16	2.50
HMH72B361S	TM8E040A12MP11	17.5	CF/CM/CU36B	850	22.4	14.0		16.25						
HMH72B361S	TM8E040A12MP11	17.5	CF/CM/CU36B	850	14.4	12.8		31.90	9.8				4.44	
HMH72B361S	TMLE040A12MP11	17.5	CF/CM/CU36B	1200	35.6	25.8	17.00	8.75	34.6	24.6	9.50	7.50	3.16	2.50
HMH72B361S	TMLE040A12MP11	17.5	CF/CM/CU36B	850	22.4	14.0		16.25						
HMH72B361S	TMLE040A12MP11	17.5	CF/CM/CU36B	850	14.4	12.8		31.90	9.8				4.44	
HMH72B361S	TL9E060B12UH11	21.0	CU/CU/CF/CM36C	1225	35.4	25.6	16.50	8.50	35.0	24.8	9.50	7.35	3.14	2.46
HMH72B361S	TL9E060B12UH11	21.0	CU/CU/CF/CM36C	700	21.6	12.1		15.95						
HMH72B361S	TL9E060B12UH11	21.0	CU/CU/CF/CM36C	700	14.1	11.6		31.85	9.5				4.34	
HMH72B361S	TL9E060B12UH11	17.5	CF/CM/CU36B	1025	34.8	24.0	16.50	8.75	33.0	24.2	9.50	7.25	3.00	2.46
HMH72B361S	TL9E060B12UH11	17.5	CF/CM/CU36B	675	21.6	11.9		15.85						
HMH72B361S	TL9E060B12UH11	17.5	CF/CM/CU36B	675	14.0	11.4		31.40	9.5				4.28	
HMH72B361S	TL8E080C16UH11	21.0	CU/CU/CF/CM36C	1125	35.0	24.8	17.00	9.25	33.6	24.0	9.50	7.15	3.16	2.54
HMH72B361S	TL8E080C16UH11	21.0	CU/CU/CF/CM36C	975	22.8	15.5		16.15						
HMH72B361S	TL8E080C16UH11	21.0	CU/CU/CF/CM36C	975	14.7	14.0		30.25	10.1				4.44	
HMH72B241S	TM9V060B12MP12C	21.0	CU/CU/CF/CM36C	875	22.0	17.5	17.00	9.75	21.8	14.5	9.50	7.15	3.26	2.38
HMH72B241S	TM9V060B12MP12C	21.0	CU/CU/CF/CM36C	575	13.1	8.9		16.15						
HMH72B241S	TM9V060B12MP12C	21.0	CU/CU/CF/CM36C	575	8.7	7.7		33.40	5.9				4.40	
HMH72B241S	TP9C060B12MP13C	21.0	CU/CU/CF/CM36C	875	22.0	17.5	17.00	9.75	21.8	14.5	9.50	7.15	3.26	2.38
HMH72B241S	TP9C060B12MP13C	21.0	CU/CU/CF/CM36C	575	13.1	8.9		16.15						
HMH72B241S	TP9C060B12MP13C	21.0	CU/CU/CF/CM36C	575	8.7	7.7		33.40	5.9				4.40	
HMH72B241S	YP9C060B12MP13C	21.0	CU/CU/CF/CM36C	875	22.0	17.5	17.00	9.75	21.8	14.5	9.50	7.15	3.26	2.38
HMH72B241S	YP9C060B12MP13C	21.0	CU/CU/CF/CM36C	575	13.1	8.9		16.15						
HMH72B241S	YP9C060B12MP13C	21.0	CU/CU/CF/CM36C	575	8.7	7.7		33.40	5.9				4.40	
HMH72B241S	TM9E060A10MP12	14.5	CF/CM36A	850	21.8	17.2	15.75	9.50	22.0	14.6	8.50	6.10	3.18	2.34
HMH72B241S	TM9E060A10MP12	14.5	CF/CM36A	700	13.2	10.2		15.10						
HMH72B241S	TM9E060A10MP12	14.5	CF/CM36A	700	8.8	8.4		27.60	6.2				4.06	
HMH72B241S	TM9E040A10MP12	14.5	CF/CM36A	850	21.6	17.0	15.75	9.25	22.0	14.7	8.50	6.35	3.14	2.30
HMH72B241S	TM9E040A10MP12	14.5	CF/CM36A	650	13.1	9.7		15.10						
HMH72B241S	TM9E040A10MP12	14.5	CF/CM36A	650	8.7	8.1		27.80	6.1				4.04	
HMH72B241S	TM9E026A08MP12	17.5	CF/CM/CU36B	875	21.6	17.2	16.50	9.25	22.2	14.8	8.50	6.10	3.18	2.32
HMH72B241S	TM9E026A08MP12	17.5	CF/CM/CU36B	550	13.0	8.6		15.65						
HMH72B241S	TM9E026A08MP12	17.5	CF/CM/CU36B	550	8.6	7.6		30.85	5.9				4.20	
HMH72B241S	TM9E026A08MP12	14.5	CF/CM36A	850	21.6	17.0	16.25	9.25	22.2	14.8	8.50	6.35	3.12	2.30
HMH72B241S	TM9E026A08MP12	14.5	CF/CM36A	550	13.0	8.6		15.60						
HMH72B241S	TM9E026A08MP12	14.5	CF/CM36A	550	8.6	7.6		30.60	5.9				4.18	
HMH72B241S	TM8V100C16MP12C	21.0	CU/CU/CF/CM36C	875	22.2	17.7	17.50	10.00	21.8	14.3	9.50	7.05	3.32	2.42
HMH72B241S	TM8V100C16MP12C	21.0	CU/CU/CF/CM36C	625	13.2	9.4		16.35						
HMH72B241S	TM8V100C16MP12C	21.0	CU/CU/CF/CM36C	625	8.8	8.0		34.45	5.9				4.50	
HMH72B241S	TM8V080C16MP12C	21.0	CU/CU/CF/CM36C	875	22.2	17.7	17.50	10.00	21.8	14.3	9.50	7.05	3.32	2.42

**Table 6: System capacity - with high efficiency motor furnaces**

Unit model	Furnace		Coil model	Rated CFM	Cooling				Heating					
	Model	Width			Net MBH		SEER	EER	Net MBH		HSPF	HSPF region V	COP	
					Total	Sens.			47°F OD	17°F OD			47°F OD	17°F OD
HMH72B241S	TM8V080C16MP12C	21.0	CU/CU/CF/CM36C	625	13.2	9.4		16.35						
HMH72B241S	TM8V080C16MP12C	21.0	CU/CU/CF/CM36C	625	8.8	8.0		34.45	5.9				4.50	
HMH72B241S	TMLV100C16MP12C	21.0	CU/CU/CF/CM36C	875	22.2	17.7	17.50	10.00	21.8	14.3	9.50	7.05	3.32	2.42
HMH72B241S	TMLV100C16MP12C	21.0	CU/CU/CF/CM36C	625	13.2	9.4		16.35						
HMH72B241S	TMLV100C16MP12C	21.0	CU/CU/CF/CM36C	625	8.8	8.0		34.45	5.9				4.50	
HMH72B241S	TPLC080C16MP13C	21.0	CU/CU/CF/CM36C	875	22.2	17.7	17.50	10.00	21.8	14.3	9.50	7.05	3.32	2.42
HMH72B241S	TPLC080C16MP13C	21.0	CU/CU/CF/CM36C	625	13.2	9.4		16.35						
HMH72B241S	TPLC080C16MP13C	21.0	CU/CU/CF/CM36C	625	8.8	8.0		34.45	5.9				4.50	
HMH72B241S	TPLC100C16MP13C	21.0	CU/CU/CF/CM36C	875	22.2	17.7	17.50	10.00	21.8	14.3	9.50	7.05	3.32	2.42
HMH72B241S	TPLC100C16MP13C	21.0	CU/CU/CF/CM36C	625	13.2	9.4		16.35						
HMH72B241S	TPLC100C16MP13C	21.0	CU/CU/CF/CM36C	625	8.8	8.0		34.45	5.9				4.50	
HMH72B241S	TPLC100C16MP13C	21.0	CU/CU/CF/CM36C	875	22.2	17.7	17.50	10.00	21.8	14.3	9.50	7.05	3.32	2.42
HMH72B241S	TPLC100C16MP13C	21.0	CU/CU/CF/CM36C	625	13.2	9.4		16.35						
HMH72B241S	TPLC100C16MP13C	21.0	CU/CU/CF/CM36C	625	8.8	8.0		34.45	5.9				4.50	
HMH72B241S	YPLC080C16MP13C	21.0	CU/CU/CF/CM36C	875	22.2	17.7	17.50	10.00	21.8	14.3	9.50	7.05	3.32	2.42
HMH72B241S	YPLC080C16MP13C	21.0	CU/CU/CF/CM36C	625	13.2	9.4		16.35						
HMH72B241S	YPLC080C16MP13C	21.0	CU/CU/CF/CM36C	625	8.8	8.0		34.45	5.9				4.50	
HMH72B241S	YPLC100C16MP13C	21.0	CU/CU/CF/CM36C	875	22.2	17.7	17.50	10.00	21.8	14.3	9.50	7.05	3.32	2.42
HMH72B241S	YPLC100C16MP13C	21.0	CU/CU/CF/CM36C	625	13.2	9.4		16.35						
HMH72B241S	YPLC100C16MP13C	21.0	CU/CU/CF/CM36C	625	8.8	8.0		34.45	5.9				4.50	
HMH72B601S	TM9V120D20MP12C	24.5	CF/CM64D	1800	58.0	39.5	16.00	8.25	56.5	39.0	9.50	7.75	3.22	2.56
HMH72B601S	TM9V120D20MP12C	24.5	CF/CM64D	1125	33.2	18.5		15.85						
HMH72B601S	TM9V120D20MP12C	24.5	CF/CM64D	1125	18.3	16.2		30.60	17.9				4.50	
HMH72B601S	TP9C120D20MP13C	24.5	CF/CM64D	1800	58.0	39.5	16.00	8.25	56.5	39.0	9.50	7.75	3.22	2.56
HMH72B601S	TP9C120D20MP13C	24.5	CF/CM64D	1125	33.2	18.5		15.85						
HMH72B601S	TP9C120D20MP13C	24.5	CF/CM64D	1125	18.3	16.2		30.60	17.9				4.50	
HMH72B601S	YP9C120D20MP13C	24.5	CF/CM64D	1800	58.0	39.5	16.00	8.25	56.5	39.0	9.50	7.75	3.22	2.56
HMH72B601S	YP9C120D20MP13C	24.5	CF/CM64D	1125	33.2	18.5		15.85						
HMH72B601S	YP9C120D20MP13C	24.5	CF/CM64D	1125	18.3	16.2		30.60	17.9				4.50	
HMH72B601S	TM9V100C16MP12C	24.5	CF/CM64D	1600	57.0	38.0	15.75	8.25	55.5	38.0	9.50	7.85	3.16	2.52
HMH72B601S	TM9V100C16MP12C	24.5	CF/CM64D	1100	33.0	18.2		15.60						
HMH72B601S	TM9V100C16MP12C	24.5	CF/CM64D	1100	18.1	16.0		29.35	18.0				4.42	
HMH72B601S	TP9C100C16MP13C	24.5	CF/CM64D	1600	57.0	38.0	15.75	8.25	55.5	38.0	9.50	7.85	3.16	2.52
HMH72B601S	TP9C100C16MP13C	24.5	CF/CM64D	1100	33.0	18.2		15.60						
HMH72B601S	TP9C100C16MP13C	24.5	CF/CM64D	1100	18.1	16.0		29.35	18.0				4.42	
HMH72B601S	YP9C100C16MP13C	24.5	CF/CM64D	1600	57.0	38.0	15.75	8.25	55.5	38.0	9.50	7.85	3.16	2.52
HMH72B601S	YP9C100C16MP13C	24.5	CF/CM64D	1100	33.0	18.2		15.60						
HMH72B601S	YP9C100C16MP13C	24.5	CF/CM64D	1100	18.1	16.0		29.35	18.0				4.42	
HMH72B601S	TM9E120D20MP12	24.5	CF/CM64D	1725	57.5	39.0	15.75	8.25	56.0	38.5	9.50	7.85	3.18	2.54
HMH72B601S	TM9E120D20MP12	24.5	CF/CM64D	1275	33.8	20.2		15.50						
HMH72B601S	TM9E120D20MP12	24.5	CF/CM64D	1275	18.4	17.3		27.45	18.4				4.40	
HMH72B601S	TM8E100C20MP11	24.5	CF/CM64D	1750	57.5	39.0	15.75	8.25	56.0	38.5	9.50	7.80	3.20	2.54
HMH72B601S	TM8E100C20MP11	24.5	CF/CM64D	1300	34.0	20.6		15.65						
HMH72B601S	TM8E100C20MP11	24.5	CF/CM64D	1300	18.5	17.5		27.95	18.4				4.44	
HMH72B601S	TMLE100C20MP11	24.5	CF/CM64D	1750	57.5	39.0	15.75	8.25	56.0	38.5	9.50	7.80	3.20	2.54

**Table 6: System capacity - with high efficiency motor furnaces**

Unit model	Furnace		Coil model	Rated CFM	Cooling				Heating					
	Model	Width			Net MBH		SEER	EER	Net MBH		HSPF	HSPF region V	COP	
					Total	Sens.			47°F OD	17°F OD			47°F OD	17°F OD
HMH72B601S	TMLE100C20MP11	24.5	CF/CM64D	1300	34.0	20.6		15.65						
HMH72B601S	TMLE100C20MP11	24.5	CF/CM64D	1300	18.5	17.5		27.95	18.4				4.44	
HMH72B601S	TM8E080C20MP11	24.5	CF/CM64D	1575	57.0	37.8	16.00	8.50	55.0	37.8	9.50	7.70	3.18	2.56
HMH72B601S	TM8E080C20MP11	24.5	CF/CM64D	1300	34.0	20.6		15.60						
HMH72B601S	TM8E080C20MP11	24.5	CF/CM64D	1300	18.5	17.5		27.80	18.5				4.44	
HMH72B601S	TMLE080C20MP11	24.5	CF/CM64D	1575	57.0	37.8	16.00	8.50	55.0	37.8	9.50	7.70	3.18	2.56
HMH72B601S	TMLE080C20MP11	24.5	CF/CM64D	1300	34.0	20.6		15.60						
HMH72B601S	TMLE080C20MP11	24.5	CF/CM64D	1300	18.5	17.5		27.80	18.5				4.44	
HMH72B601S	TM8E080C16MP11	24.5	CF/CM64D	1575	57.0	37.8	16.00	8.25	55.5	38.0	9.50	7.85	3.14	2.52
HMH72B601S	TM8E080C16MP11	24.5	CF/CM64D	900	32.2	16.0		15.75						
HMH72B601S	TM8E080C16MP11	24.5	CF/CM64D	900	17.9	14.6		32.70	17.5				4.42	
HMH72B601S	TMLE080C16MP11	24.5	CF/CM64D	1575	57.0	37.8	16.00	8.25	55.5	38.0	9.50	7.85	3.14	2.52
HMH72B601S	TMLE080C16MP11	24.5	CF/CM64D	900	32.2	16.0		15.75						
HMH72B601S	TMLE080C16MP11	24.5	CF/CM64D	900	17.9	14.6		32.70	17.5				4.42	
HMH72B601S	TL9E100C20UH11	24.5	CF/CM64D	1600	57.0	38.0	16.00	8.25	55.5	38.0	9.50	7.80	3.18	2.54
HMH72B601S	TL9E100C20UH11	24.5	CF/CM64D	1200	33.6	19.4		15.75						
HMH72B601S	TL9E100C20UH11	24.5	CF/CM64D	1200	18.3	16.7		29.40	18.2				4.46	
HMH72B481S	TM8V100C16MP12C	24.5	CF/CM64D	1425	47.5	32.8	17.25	9.75	46.0	29.6	9.00	7.30	3.28	2.44
HMH72B481S	TM8V100C16MP12C	24.5	CF/CM64D	900	27.4	15.5		16.60						
HMH72B481S	TM8V100C16MP12C	24.5	CF/CM64D	900	15.8	13.4		32.15	17.1				4.22	
HMH72B481S	TM8V080C16MP12C	24.5	CF/CM64D	1425	47.5	32.8	17.25	9.75	46.0	29.6	9.00	7.30	3.28	2.44
HMH72B481S	TM8V080C16MP12C	24.5	CF/CM64D	900	27.4	15.5		16.60						
HMH72B481S	TM8V080C16MP12C	24.5	CF/CM64D	900	15.8	13.4		32.15	17.1				4.22	
HMH72B481S	TMLV100C16MP12C	24.5	CF/CM64D	1425	47.5	32.8	17.25	9.75	46.0	29.6	9.00	7.30	3.28	2.44
HMH72B481S	TMLV100C16MP12C	24.5	CF/CM64D	900	27.4	15.5		16.60						
HMH72B481S	TMLV100C16MP12C	24.5	CF/CM64D	900	15.8	13.4		32.15	17.1				4.22	
HMH72B481S	TPLC080C16MP13C	24.5	CF/CM64D	1425	47.5	32.8	17.25	9.75	46.0	29.6	9.00	7.30	3.28	2.44
HMH72B481S	TPLC080C16MP13C	24.5	CF/CM64D	900	27.4	15.5		16.60						
HMH72B481S	TPLC080C16MP13C	24.5	CF/CM64D	900	15.8	13.4		32.15	17.1				4.22	
HMH72B481S	TPLC100C16MP13C	24.5	CF/CM64D	1425	47.5	32.8	17.25	9.75	46.0	29.6	9.00	7.30	3.28	2.44
HMH72B481S	TPLC100C16MP13C	24.5	CF/CM64D	900	27.4	15.5		16.60						
HMH72B481S	TPLC100C16MP13C	24.5	CF/CM64D	900	15.8	13.4		32.15	17.1				4.22	
HMH72B481S	YPLC080C16MP13C	24.5	CF/CM64D	1425	47.5	32.8	17.25	9.75	46.0	29.6	9.00	7.30	3.28	2.44
HMH72B481S	YPLC080C16MP13C	24.5	CF/CM64D	900	27.4	15.5		16.60						
HMH72B481S	YPLC080C16MP13C	24.5	CF/CM64D	900	15.8	13.4		32.15	17.1				4.22	
HMH72B481S	YPLC100C16MP13C	24.5	CF/CM64D	1425	47.5	32.8	17.25	9.75	46.0	29.6	9.00	7.30	3.28	2.44
HMH72B481S	YPLC100C16MP13C	24.5	CF/CM64D	900	27.4	15.5		16.60						
HMH72B481S	YPLC100C16MP13C	24.5	CF/CM64D	900	15.8	13.4		32.15	17.1				4.22	
HMH72B481S	TM8E120C16MP11	24.5	CF/CM64D	1575	48.0	34.0	17.50	9.75	46.5	30.2	9.00	7.25	3.32	2.44
HMH72B481S	TM8E120C16MP11	24.5	CF/CM64D	900	27.4	15.4		16.85						
HMH72B481S	TM8E120C16MP11	24.5	CF/CM64D	900	15.9	13.4		33.65	17.0				4.28	
HMH72B481S	TMLE120C16MP11	24.5	CF/CM64D	1575	48.0	34.0	17.50	9.75	46.5	30.2	9.00	7.25	3.32	2.44
HMH72B481S	TMLE120C16MP11	24.5	CF/CM64D	900	27.4	15.4		16.85						
HMH72B481S	TMLE120C16MP11	24.5	CF/CM64D	900	15.9	13.4		33.65	17.0				4.28	
HMH72B481S	TM8E100C16MP11	24.5	CF/CM64D	1575	48.0	34.0	17.25	9.75	46.5	30.2	9.00	7.20	3.32	2.44
HMH72B481S	TM8E100C16MP11	24.5	CF/CM64D	875	27.4	15.2		16.75						
HMH72B481S	TM8E100C16MP11	24.5	CF/CM64D	875	15.8	13.2		33.55	17.0				4.24	
HMH72B481S	TMLE100C16MP11	24.5	CF/CM64D	1575	48.0	34.0	17.25	9.75	46.5	30.2	9.00	7.20	3.32	2.44
HMH72B481S	TMLE100C16MP11	24.5	CF/CM64D	875	27.4	15.2		16.75						
HMH72B481S	TMLE100C16MP11	24.5	CF/CM64D	875	15.8	13.2		33.55	17.0				4.24	
HMH72B481S	TL8E080C16UH11	24.5	CF/CM64D	1550	48.0	33.8	17.25	9.75	46.5	30.2	9.00	7.20	3.30	2.42
HMH72B481S	TL8E080C16UH11	24.5	CF/CM64D	1000	27.8	16.5		16.65						

**Table 6: System capacity - with high efficiency motor furnaces**

Unit model	Furnace		Coil model	Rated CFM	Cooling				Heating					
	Model	Width			Net MBH		SEER	EER	Net MBH		HSPF	HSPF region V	COP	
					Total	Sens.			47°F OD	17°F OD			47°F OD	17°F OD
HMH72B481S	TL8E080C16UH11	24.5	CF/CM64D	1000	16.0	14.2		31.10	17.4				4.28	
HMH72B241S	TM8V080B12MP12C	21.0	CU/CU/CF/CM36C	825	21.8	17.0	17.00	10.00	21.6	14.3	9.30	6.20	3.20	2.36
HMH72B241S	TM8V080B12MP12C	21.0	CU/CU/CF/CM36C	550	13.0	8.5		16.05						
HMH72B241S	TM8V080B12MP12C	21.0	CU/CU/CF/CM36C	550	8.7	7.7		32.90	5.8				4.36	
HMH72B241S	TPLC080B12MP13C	21.0	CU/CU/CF/CM36C	825	21.8	17.0	17.00	10.00	21.6	14.3	9.30	6.20	3.20	2.36
HMH72B241S	TPLC080B12MP13C	21.0	CU/CU/CF/CM36C	550	13.0	8.5		16.05						
HMH72B241S	TPLC080B12MP13C	21.0	CU/CU/CF/CM36C	550	8.7	7.7		32.90	5.8				4.36	
HMH72B241S	YPLC080B12MP13C	21.0	CU/CU/CF/CM36C	825	21.8	17.0	17.00	10.00	21.6	14.3	9.30	6.20	3.20	2.36
HMH72B241S	YPLC080B12MP13C	21.0	CU/CU/CF/CM36C	550	13.0	8.5		16.05						
HMH72B241S	YPLC080B12MP13C	21.0	CU/CU/CF/CM36C	550	8.7	7.7		32.90	5.8				4.36	
HMH72B241S	TM8V080B12MP12C	17.5	CF/CM/CU36B	825	21.8	17.0	17.00	9.75	21.6	14.4	9.30	6.60	3.20	2.36
HMH72B241S	TM8V080B12MP12C	17.5	CF/CM/CU36B	550	13.0	8.6		15.95						
HMH72B241S	TM8V080B12MP12C	17.5	CF/CM/CU36B	550	8.6	7.6		32.25	5.9				4.32	
HMH72B241S	TPLC080B12MP13C	17.5	CF/CM/CU36B	825	21.8	17.0	17.00	9.75	21.6	14.4	9.30	6.60	3.20	2.36
HMH72B241S	TPLC080B12MP13C	17.5	CF/CM/CU36B	550	13.0	8.6		15.95						
HMH72B241S	TPLC080B12MP13C	17.5	CF/CM/CU36B	550	8.6	7.6		32.25	5.9				4.32	
HMH72B241S	YPLC080B12MP13C	17.5	CF/CM/CU36B	825	21.8	17.0	17.00	9.75	21.6	14.4	9.30	6.60	3.20	2.36
HMH72B241S	YPLC080B12MP13C	17.5	CF/CM/CU36B	550	13.0	8.6		15.95						
HMH72B241S	YPLC080B12MP13C	17.5	CF/CM/CU36B	550	8.6	7.6		32.25	5.9				4.32	
HMH72B241S	TM8V060A12MP12C	17.5	CF/CM/CU36B	725	21.6	16.1	17.25	10.00	21.0	14.0	9.30	6.40	3.10	2.34
HMH72B241S	TM8V060A12MP12C	17.5	CF/CM/CU36B	550	13.0	8.5		16.15						
HMH72B241S	TM8V060A12MP12C	17.5	CF/CM/CU36B	550	8.7	7.7		33.65	5.8				4.38	
HMH72B241S	TMLV060A12MP12C	17.5	CF/CM/CU36B	725	21.6	16.1	17.25	10.00	21.0	14.0	9.30	6.40	3.10	2.34
HMH72B241S	TMLV060A12MP12C	17.5	CF/CM/CU36B	550	13.0	8.5		16.15						
HMH72B241S	TMLV060A12MP12C	17.5	CF/CM/CU36B	550	8.7	7.7		33.65	5.8				4.38	
HMH72B241S	TPLC060A12MP13C	17.5	CF/CM/CU36B	725	21.6	16.1	17.25	10.00	21.0	14.0	9.30	6.40	3.10	2.34
HMH72B241S	TPLC060A12MP13C	17.5	CF/CM/CU36B	550	13.0	8.5		16.15						
HMH72B241S	TPLC060A12MP13C	17.5	CF/CM/CU36B	550	8.7	7.7		33.65	5.8				4.38	
HMH72B241S	YPLC060A12MP13C	17.5	CF/CM/CU36B	725	21.6	16.1	17.25	10.00	21.0	14.0	9.30	6.40	3.10	2.34
HMH72B241S	YPLC060A12MP13C	17.5	CF/CM/CU36B	550	13.0	8.5		16.15						
HMH72B241S	YPLC060A12MP13C	17.5	CF/CM/CU36B	550	8.7	7.7		33.65	5.8				4.38	
HMH72B241S	TM8V060A12MP12C	14.5	CF/CM36A	725	21.6	16.1	17.00	10.00	21.2	14.1	9.30	6.50	3.08	2.32
HMH72B241S	TM8V060A12MP12C	14.5	CF/CM36A	550	13.0	8.5		16.05						
HMH72B241S	TM8V060A12MP12C	14.5	CF/CM36A	550	8.7	7.7		32.90	5.9				4.34	
HMH72B241S	TMLV060A12MP12C	14.5	CF/CM36A	725	21.6	16.1	17.00	10.00	21.2	14.1	9.30	6.50	3.08	2.32
HMH72B241S	TMLV060A12MP12C	14.5	CF/CM36A	550	13.0	8.5		16.05						
HMH72B241S	TMLV060A12MP12C	14.5	CF/CM36A	550	8.7	7.7		32.90	5.9				4.34	
HMH72B241S	TPLC060A12MP13C	14.5	CF/CM36A	725	21.6	16.1	17.00	10.00	21.2	14.1	9.30	6.50	3.08	2.32
HMH72B241S	TPLC060A12MP13C	14.5	CF/CM36A	550	13.0	8.5		16.05						
HMH72B241S	TPLC060A12MP13C	14.5	CF/CM36A	550	8.7	7.7		32.90	5.9				4.34	
HMH72B241S	YPLC060A12MP13C	14.5	CF/CM36A	725	21.6	16.1	17.00	10.00	21.2	14.1	9.30	6.50	3.08	2.32
HMH72B241S	YPLC060A12MP13C	14.5	CF/CM36A	550	13.0	8.5		16.05						
HMH72B241S	YPLC060A12MP13C	14.5	CF/CM36A	550	8.7	7.7		32.90	5.9				4.34	
HMH72B241S	TM8E040A12MP11	14.5	CF/CM36A	825	21.8	17.0	16.75	9.75	21.6	14.4	9.30	6.55	3.20	2.36
HMH72B241S	TM8E040A12MP11	14.5	CF/CM36A	700	13.3	10.2		15.80						
HMH72B241S	TM8E040A12MP11	14.5	CF/CM36A	700	8.9	8.4		31.10	6.1				4.28	



**Table 6: System capacity - with high efficiency motor furnaces**

Unit model	Furnace		Coil model	Rated CFM	Cooling				Heating					
	Model	Width			Net MBH		SEER	EER	Net MBH		HSPF	HSPF region V	COP	
					Total	Sens.			47°F OD	17°F OD			47°F OD	17°F OD
HMH72B241S	TMLE040A12MP11	14.5	CF/CM36A	825	21.8	17.0	16.75	9.75	21.6	14.4	9.30	6.55	3.20	2.36
HMH72B241S	TMLE040A12MP11	14.5	CF/CM36A	700	13.3	10.2		15.80						
HMH72B241S	TMLE040A12MP11	14.5	CF/CM36A	700	8.9	8.4		31.10	6.1				4.28	
HMH72B481S	TM9V120D20MP12C	24.5	CF/CM64D	1650	48.0	34.6	17.50	9.75	47.0	30.8	9.30	6.85	3.40	2.50
HMH72B481S	TM9V120D20MP12C	24.5	CF/CM64D	1025	28.0	16.9		16.85						
HMH72B481S	TM9V120D20MP12C	24.5	CF/CM64D	1025	16.1	14.4		31.90	17.0				4.26	
HMH72B481S	TP9C120D20MP13C	24.5	CF/CM64D	1650	48.0	34.6	17.50	9.75	47.0	30.8	9.30	6.85	3.40	2.50
HMH72B481S	TP9C120D20MP13C	24.5	CF/CM64D	1025	28.0	16.9		16.85						
HMH72B481S	TP9C120D20MP13C	24.5	CF/CM64D	1025	16.1	14.4		31.90	17.0				4.26	
HMH72B481S	YP9C120D20MP13C	24.5	CF/CM64D	1650	48.0	34.6	17.50	9.75	47.0	30.8	9.30	6.85	3.40	2.50
HMH72B481S	YP9C120D20MP13C	24.5	CF/CM64D	1025	28.0	16.9		16.85						
HMH72B481S	YP9C120D20MP13C	24.5	CF/CM64D	1025	16.1	14.4		31.90	17.0				4.26	
HMH72B481S	TM9V100C20MP12C	24.5	CF/CM64D	1625	48.0	34.4	17.00	9.75	47.0	31.0	9.30	6.80	3.36	2.48
HMH72B481S	TM9V100C20MP12C	24.5	CF/CM64D	1050	28.0	17.1		16.60						
HMH72B481S	TM9V100C20MP12C	24.5	CF/CM64D	1050	16.0	14.6		30.05	17.2				4.22	
HMH72B481S	TP9C100C20MP13C	24.5	CF/CM64D	1625	48.0	34.4	17.00	9.75	47.0	31.0	9.30	6.80	3.36	2.48
HMH72B481S	TP9C100C20MP13C	24.5	CF/CM64D	1050	28.0	17.1		16.60						
HMH72B481S	TP9C100C20MP13C	24.5	CF/CM64D	1050	16.0	14.6		30.05	17.2				4.22	
HMH72B481S	YP9C100C20MP13C	24.5	CF/CM64D	1625	48.0	34.4	17.00	9.75	47.0	31.0	9.30	6.80	3.36	2.48
HMH72B481S	YP9C100C20MP13C	24.5	CF/CM64D	1050	28.0	17.1		16.60						
HMH72B481S	YP9C100C20MP13C	24.5	CF/CM64D	1050	16.0	14.6		30.05	17.2				4.22	
HMH72B481S	TL8E100C20UH11	24.5	CF/CM64D	1600	48.0	34.2	17.50	10.00	46.5	30.0	9.30	6.70	3.38	2.46
HMH72B481S	TL8E100C20UH11	24.5	CF/CM64D	1125	28.6	18.1		16.95						
HMH72B481S	TL8E100C20UH11	24.5	CF/CM64D	1125	16.2	15.1		31.25	17.6				4.44	
HMH72B481S	TM9Y100C16MP11	24.5	CF/CM64D	1400	47.5	32.6	17.00	9.75	46.0	30.2	9.00	7.35	3.26	2.44
HMH72B481S	TM9Y100C16MP11	24.5	CF/CM64D	1025	28.0	17.0		16.50						
HMH72B481S	TM9Y100C16MP11	24.5	CF/CM64D	1025	16.0	14.4		29.85	17.1				4.16	
HMH72B601S	TM9Y100C20MP11	24.5	CF/CM64D	1550	56.5	37.2	15.50	8.25	55.5	38.0	9.50	7.90	3.14	2.52
HMH72B601S	TM9Y100C20MP11	24.5	CF/CM64D	1225	33.6	19.8		15.35						
HMH72B601S	TM9Y100C20MP11	24.5	CF/CM64D	1225	18.2	16.9		27.00	18.4				4.34	
HMH72B481S	TM9E100C16MP12	24.5	CF/CM64D	1600	48.0	34.0	17.25	9.50	47.0	31.0	9.00	7.30	3.32	2.46
HMH72B481S	TM9E100C16MP12	24.5	CF/CM64D	900	27.4	15.4		16.75						
HMH72B481S	TM9E100C16MP12	24.5	CF/CM64D	900	15.9	13.4		33.10	16.7				4.14	
HMH72B241S	TM8Y060A12MP11	17.5	CF/CM/CU36B	800	21.8	16.8	16.75	10.00	21.6	14.3	9.30	7.55	3.18	2.36
HMH72B241S	TM8Y060A12MP11	17.5	CF/CM/CU36B	675	13.2	9.9		15.80						
HMH72B241S	TM8Y060A12MP11	17.5	CF/CM/CU36B	675	8.8	8.2		31.05	6.1				4.28	
HMH72B361S	TM8Y080B12MP11	21.0	CF/CM36C	1200	35.6	25.8	17.00	8.75	34.6	24.6	9.50	7.75	3.18	2.50
HMH72B361S	TM8Y080B12MP11	21.0	CF/CM36C	750	22.0	12.8		16.30						
HMH72B361S	TM8Y080B12MP11	21.0	CF/CM36C	750	14.3	12.0		33.40	9.5				4.48	
HMH72B361S	TM8Y080B12MP11	17.5	CF/CM/CU36B	1175	35.4	25.4	17.00	8.75	34.4	24.6	9.50	7.90	3.14	2.50
HMH72B361S	TM8Y080B12MP11	17.5	CF/CM/CU36B	725	21.8	12.4		16.15						
HMH72B361S	TM8Y080B12MP11	17.5	CF/CM/CU36B	725	14.2	11.8		32.75	9.5				4.42	
HMH72B601S	TM8Y080C16MP11	24.5	CF/CM64D	1525	56.5	37.2	16.00	8.25	55.5	38.0	9.50	7.90	3.12	2.50
HMH72B601S	TM8Y080C16MP11	24.5	CF/CM64D	1025	32.8	17.4		15.70						
HMH72B601S	TM8Y080C16MP11	24.5	CF/CM64D	1025	18.0	15.4		30.80	17.8				4.42	
HMH72B361S	TM9Y100C16MP11	21.0	CU/CU/CF/CM36C	1150	35.6	25.4	17.25	9.00	33.8	24.2	9.50	7.85	3.16	2.54
HMH72B361S	TM9Y100C16MP11	21.0	CU/CU/CF/CM36C	675	21.6	11.8		16.40						
HMH72B361S	TM9Y100C16MP11	21.0	CU/CU/CF/CM36C	675	14.1	11.3		34.80	9.3				4.52	
HMH72B361S	TM9Y080B12MP11	21.0	CU/CU/CF/CM36C	1175	35.4	25.4	16.75	8.75	34.4	24.6	9.50	7.85	3.14	2.50



**Table 6: System capacity - with high efficiency motor furnaces**

Unit model	Furnace		Coil model	Rated CFM	Cooling				Heating					
	Model	Width			Net MBH		SEER	EER	Net MBH		HSPF	HSPF region V	COP	
					Total	Sens.			47°F OD	17°F OD			47°F OD	17°F OD
HMH72B361S	TM9Y080B12MP11	21.0	CU/CU/CF/CM36C	775	22.0	13.0		16.10						
HMH72B361S	TM9Y080B12MP11	21.0	CU/CU/CF/CM36C	775	14.3	12.3		31.90	9.6				4.38	
HMH72B361S	TM9Y060B12MP11	17.5	CF/CM/CU36B	1100	35.0	24.4	16.50	8.50	33.8	24.6	9.50	7.85	3.04	2.46
HMH72B361S	TM9Y060B12MP11	17.5	CF/CM/CU36B	725	21.8	12.5		15.85						
HMH72B361S	TM9Y060B12MP11	17.5	CF/CM/CU36B	725	14.1	11.8		31.05	9.6				4.30	
HMH72B361S	TM9V100C20MP12C	21.0	CU/CU/CF/CM36C	1275	36.0	26.6	17.25	9.00	35.0	24.4	9.50	7.25	3.28	2.56
HMH72B361S	TM9V100C20MP12C	21.0	CU/CU/CF/CM36C	800	22.2	13.4		16.40						
HMH72B361S	TM9V100C20MP12C	21.0	CU/CU/CF/CM36C	800	14.4	12.5		33.35	9.6				4.54	
HMH72B361S	TP9C100C20MP13C	21.0	CU/CU/CF/CM36C	1275	36.0	26.6	17.25	9.00	35.0	24.4	9.50	7.25	3.28	2.56
HMH72B361S	TP9C100C20MP13C	21.0	CU/CU/CF/CM36C	800	22.2	13.4		16.40						
HMH72B361S	TP9C100C20MP13C	21.0	CU/CU/CF/CM36C	800	14.4	12.5		33.35	9.6				4.54	
HMH72B361S	YP9C100C20MP13C	21.0	CU/CU/CF/CM36C	1275	36.0	26.6	17.25	9.00	35.0	24.4	9.50	7.25	3.28	2.56
HMH72B361S	YP9C100C20MP13C	21.0	CU/CU/CF/CM36C	800	22.2	13.4		16.40						
HMH72B361S	YP9C100C20MP13C	21.0	CU/CU/CF/CM36C	800	14.4	12.5		33.35	9.6				4.54	
HMH72B361S	TM9V100C16MP12C	21.0	CU/CU/CF/CM36C	1275	36.0	26.6	17.00	9.00	35.0	24.4	9.50	7.25	3.28	2.56
HMH72B361S	TM9V100C16MP12C	21.0	CU/CU/CF/CM36C	850	22.4	14.0		16.30						
HMH72B361S	TM9V100C16MP12C	21.0	CU/CU/CF/CM36C	850	14.5	12.9		32.30	9.7				4.52	
HMH72B361S	TP9C100C16MP13C	21.0	CU/CU/CF/CM36C	1275	36.0	26.6	17.00	9.00	35.0	24.4	9.50	7.25	3.28	2.56
HMH72B361S	TP9C100C16MP13C	21.0	CU/CU/CF/CM36C	850	22.4	14.0		16.30						
HMH72B361S	TP9C100C16MP13C	21.0	CU/CU/CF/CM36C	850	14.5	12.9		32.30	9.7				4.52	
HMH72B361S	YP9C100C16MP13C	21.0	CU/CU/CF/CM36C	1275	36.0	26.6	17.00	9.00	35.0	24.4	9.50	7.25	3.28	2.56
HMH72B361S	YP9C100C16MP13C	21.0	CU/CU/CF/CM36C	850	22.4	14.0		16.30						
HMH72B361S	YP9C100C16MP13C	21.0	CU/CU/CF/CM36C	850	14.5	12.9		32.30	9.7				4.52	
HMH72B361S	TM9V080B12MP12C	17.5	CF/CM/CU36B	1175	35.4	25.4	16.75	8.75	34.4	24.6	9.50	7.00	3.12	2.48
HMH72B361S	TM9V080B12MP12C	17.5	CF/CM/CU36B	775	22.0	13.1		15.95						
HMH72B361S	TM9V080B12MP12C	17.5	CF/CM/CU36B	775	14.2	12.2		31.15	9.7				4.38	
HMH72B361S	TP9C080B12MP13C	17.5	CF/CM/CU36B	1175	35.4	25.4	16.75	8.75	34.4	24.6	9.50	7.00	3.12	2.48
HMH72B361S	TP9C080B12MP13C	17.5	CF/CM/CU36B	775	22.0	13.1		15.95						
HMH72B361S	TP9C080B12MP13C	17.5	CF/CM/CU36B	775	14.2	12.2		31.15	9.7				4.38	
HMH72B361S	YP9C080B12MP13C	17.5	CF/CM/CU36B	1175	35.4	25.4	16.75	8.75	34.4	24.6	9.50	7.00	3.12	2.48
HMH72B361S	YP9C080B12MP13C	17.5	CF/CM/CU36B	775	22.0	13.1		15.95						
HMH72B361S	YP9C080B12MP13C	17.5	CF/CM/CU36B	775	14.2	12.2		31.15	9.7				4.38	
HMH72B361S	TM9V060B12MP12C	17.5	CF/CM/CU36B	1100	35.0	24.4	16.50	8.75	33.8	24.4	9.50	7.30	3.04	2.46
HMH72B361S	TM9V060B12MP12C	17.5	CF/CM/CU36B	675	21.6	11.9		15.80						
HMH72B361S	TM9V060B12MP12C	17.5	CF/CM/CU36B	675	14.0	11.4		31.20	9.5				4.30	
HMH72B361S	TP9C060B12MP13C	17.5	CF/CM/CU36B	1100	35.0	24.4	16.50	8.75	33.8	24.4	9.50	7.30	3.04	2.46
HMH72B361S	TP9C060B12MP13C	17.5	CF/CM/CU36B	675	21.6	11.9		15.80						
HMH72B361S	TP9C060B12MP13C	17.5	CF/CM/CU36B	675	14.0	11.4		31.20	9.5				4.30	
HMH72B361S	YP9C060B12MP13C	17.5	CF/CM/CU36B	1100	35.0	24.4	16.50	8.75	33.8	24.4	9.50	7.30	3.04	2.46
HMH72B361S	YP9C060B12MP13C	17.5	CF/CM/CU36B	675	21.6	11.9		15.80						

**Table 6: System capacity - with high efficiency motor furnaces**

Unit model	Furnace		Coil model	Rated CFM	Cooling				Heating					
	Model	Width			Net MBH		SEER	EER	Net MBH		HSPF	HSPF region V	COP	
					Total	Sens.			47°F OD	17°F OD			47°F OD	17°F OD
HMH72B361S	YP9C060B12MP13C	17.5	CF/CM/CU36B	675	14.0	11.4	16.25	8.75	32.4	24.2	9.50	7.60	2.90	2.42
HMH72B361S	TM9V040A10MP12C	17.5	CF/CM/CU36B	950	34.4	23.0	16.25	8.75	32.4	24.2	9.50	7.60	2.90	2.42
HMH72B361S	TM9V040A10MP12C	17.5	CF/CM/CU36B	625	21.2	11.2		15.50						
HMH72B361S	TM9V040A10MP12C	17.5	CF/CM/CU36B	625	13.8	10.9		29.95	9.4				4.18	
HMH72B361S	TM9E100C16MP12	21.0	CU/CU/CF/CM36C	1275	36.0	26.6	17.25	9.00	35.0	24.6	9.50	7.25	3.26	2.54
HMH72B361S	TM9E100C16MP12	21.0	CU/CU/CF/CM36C	875	22.4	14.2		16.40						
HMH72B361S	TM9E100C16MP12	21.0	CU/CU/CF/CM36C	875	14.5	13.0		32.60	9.8				4.52	
HMH72B361S	TM9E080B12MP12	21.0	CU/CU/CF/CM36C	1250	35.6	26.0	16.75	8.75	35.0	24.8	9.50	6.95	3.20	2.50
HMH72B361S	TM9E080B12MP12	21.0	CU/CU/CF/CM36C	850	22.2	13.9		16.05						
HMH72B361S	TM9E080B12MP12	21.0	CU/CU/CF/CM36C	850	14.4	12.9		30.85	9.8				4.40	
HMH72B361S	TM9E060B12MP12	21.0	CU/CU/CF/CM36C	1225	35.4	25.6	16.50	8.50	35.0	24.8	9.50	7.30	3.14	2.46
HMH72B361S	TM9E060B12MP12	21.0	CU/CU/CF/CM36C	800	22.0	13.3		15.85						
HMH72B361S	TM9E060B12MP12	21.0	CU/CU/CF/CM36C	800	14.3	12.5		30.40	9.8				4.32	
HMH72B361S	TM9E060A10MP12	17.5	CF/CM/CU36B	1125	35.0	24.6	16.50	8.50	34.2	24.6	9.50	7.50	3.04	2.44
HMH72B361S	TM9E060A10MP12	17.5	CF/CM/CU36B	750	21.8	12.7		15.75						
HMH72B361S	TM9E060A10MP12	17.5	CF/CM/CU36B	750	14.1	12.0		30.40	9.7				4.28	
HMH72B361S	TM8V080B12MP12C	21.0	CU/CU/CF/CM36C	1100	35.0	24.4	16.50	8.75	33.8	24.4	9.50	7.15	3.06	2.48
HMH72B361S	TM8V080B12MP12C	21.0	CU/CU/CF/CM36C	700	21.6	12.1		15.85						
HMH72B361S	TM8V080B12MP12C	21.0	CU/CU/CF/CM36C	700	14.0	11.5		31.15	9.5				4.32	
HMH72B361S	TPLC080B12MP13C	21.0	CU/CU/CF/CM36C	1100	35.0	24.4	16.50	8.75	33.8	24.4	9.50	7.15	3.06	2.48
HMH72B361S	TPLC080B12MP13C	21.0	CU/CU/CF/CM36C	700	21.6	12.1		15.85						
HMH72B361S	TPLC080B12MP13C	21.0	CU/CU/CF/CM36C	700	14.0	11.5		31.15	9.5				4.32	
HMH72B361S	YPLC080B12MP13C	21.0	CU/CU/CF/CM36C	1100	35.0	24.4	16.50	8.75	33.8	24.4	9.50	7.15	3.06	2.48
HMH72B361S	YPLC080B12MP13C	21.0	CU/CU/CF/CM36C	700	21.6	12.1		15.85						
HMH72B361S	YPLC080B12MP13C	21.0	CU/CU/CF/CM36C	700	14.0	11.5		31.15	9.5				4.32	
HMH72B361S	TM8V080B12MP12C	17.5	CF/CM/CU36B	1125	35.0	24.6	16.25	8.75	34.2	24.6	9.50	7.35	3.06	2.46
HMH72B361S	TM8V080B12MP12C	17.5	CF/CM/CU36B	725	21.8	12.5		15.70						
HMH72B361S	TM8V080B12MP12C	17.5	CF/CM/CU36B	725	14.1	11.8		30.25	9.6				4.26	
HMH72B361S	TPLC080B12MP13C	17.5	CF/CM/CU36B	1125	35.0	24.6	16.25	8.75	34.2	24.6	9.50	7.35	3.06	2.46
HMH72B361S	TPLC080B12MP13C	17.5	CF/CM/CU36B	725	21.8	12.5		15.70						
HMH72B361S	TPLC080B12MP13C	17.5	CF/CM/CU36B	725	14.1	11.8		30.25	9.6				4.26	
HMH72B361S	YPLC080B12MP13C	17.5	CF/CM/CU36B	1125	35.0	24.6	16.25	8.75	34.2	24.6	9.50	7.35	3.06	2.46
HMH72B361S	YPLC080B12MP13C	17.5	CF/CM/CU36B	725	21.8	12.5		15.70						
HMH72B361S	YPLC080B12MP13C	17.5	CF/CM/CU36B	725	14.1	11.8		30.25	9.6				4.26	
HMH72B361S	TM8E100B12MP11	17.5	CF/CM/CU36B	1225	35.6	25.8	17.00	8.75	34.8	24.6	9.50	7.60	3.18	2.50
HMH72B361S	TM8E100B12MP11	17.5	CF/CM/CU36B	775	22.0	13.0		16.20						
HMH72B361S	TM8E100B12MP11	17.5	CF/CM/CU36B	775	14.3	12.2		32.45	9.6				4.44	
HMH72B361S	TMLE100B12MP11	17.5	CF/CM/CU36B	1225	35.6	25.8	17.00	8.75	34.8	24.6	9.50	7.60	3.18	2.50
HMH72B361S	TMLE100B12MP11	17.5	CF/CM/CU36B	775	22.0	13.0		16.20						
HMH72B361S	TMLE100B12MP11	17.5	CF/CM/CU36B	775	14.3	12.2		32.45	9.6				4.44	
HMH72B361S	TM8E080B12MP11	17.5	CF/CM/CU36B	1225	35.4	25.6	17.00	8.75	34.8	24.8	9.50	6.95	3.16	2.50

**Table 6: System capacity - with high efficiency motor furnaces**

Unit model	Furnace		Coil model	Rated CFM	Cooling			Heating						
	Model	Width			Net MBH		SEER	EER	Net MBH		HSPF	HSPF region V	COP	
					Total	Sens.			47°F OD	17°F OD			47°F OD	17°F OD
HMH72B361S	TM8E080B12MP11	17.5	CF/CM/CU36B	800	22.2	13.4		16.15						
HMH72B361S	TM8E080B12MP11	17.5	CF/CM/CU36B	800	14.3	12.4		31.90	9.7				4.40	
HMH72B361S	TMLE080B12MP11	17.5	CF/CM/CU36B	1225	35.4	25.6	17.00	8.75	34.8	24.8	9.50	6.95	3.16	2.50
HMH72B361S	TMLE080B12MP11	17.5	CF/CM/CU36B	800	22.2	13.4		16.15						
HMH72B361S	TMLE080B12MP11	17.5	CF/CM/CU36B	800	14.3	12.4		31.90	9.7				4.40	
HMH72B361S	TM8E040A12MP11	14.5	CF/CM36A	1125	35.0	24.6	17.00	8.75	34.0	24.6	9.50	7.40	3.06	2.46
HMH72B361S	TM8E040A12MP11	14.5	CF/CM36A	725	21.8	12.4		16.05						
HMH72B361S	TM8E040A12MP11	14.5	CF/CM36A	725	14.1	11.7		32.10	9.5				4.36	
HMH72B361S	TMLE040A12MP11	14.5	CF/CM36A	1125	35.0	24.6	17.00	8.75	34.0	24.6	9.50	7.40	3.06	2.46
HMH72B361S	TMLE040A12MP11	14.5	CF/CM36A	725	21.8	12.4		16.05						
HMH72B361S	TMLE040A12MP11	14.5	CF/CM36A	725	14.1	11.7		32.10	9.5				4.36	
HMH72B361S	TL9E080C16UH11	21.0	CU/CU/CF/CM36C	1250	35.8	26.2	17.00	9.00	34.8	24.6	9.50	7.35	3.24	2.52
HMH72B361S	TL9E080C16UH11	21.0	CU/CU/CF/CM36C	950	22.8	15.3		16.15						
HMH72B361S	TL9E080C16UH11	21.0	CU/CU/CF/CM36C	950	14.6	13.7		30.65	10.0				4.46	
HMH72B361S	TL8E060A12UH11	17.5	CF/CM/CU36B	1200	35.4	25.6	17.00	8.75	34.6	24.6	9.75	7.50	3.14	2.48
HMH72B361S	TL8E060A12UH11	17.5	CF/CM/CU36B	750	22.0	12.8		16.20						
HMH72B361S	TL8E060A12UH11	17.5	CF/CM/CU36B	750	14.2	12.0		32.80	9.6				4.42	
HMH72B361S	TL8E060A12UH11	14.5	CF/CM36A	1150	35.0	24.8	16.75	8.50	34.4	24.6	9.50	7.40	3.06	2.46
HMH72B361S	TL8E060A12UH11	14.5	CF/CM36A	675	21.6	11.9		15.95						
HMH72B361S	TL8E060A12UH11	14.5	CF/CM36A	675	14.0	11.3		32.00	9.5				4.30	
HMH72B241S	TM9V080B12MP12C	21.0	CU/CU/CF/CM36C	850	22.0	17.4	17.25	10.00	21.6	14.3	9.50	7.00	3.26	2.38
HMH72B241S	TM9V080B12MP12C	21.0	CU/CU/CF/CM36C	600	13.1	9.1		16.20						
HMH72B241S	TM9V080B12MP12C	21.0	CU/CU/CF/CM36C	600	8.8	7.9		33.55	5.9				4.42	
HMH72B241S	TP9C080B12MP13C	21.0	CU/CU/CF/CM36C	850	22.0	17.4	17.25	10.00	21.6	14.3	9.50	7.00	3.26	2.38
HMH72B241S	TP9C080B12MP13C	21.0	CU/CU/CF/CM36C	600	13.1	9.1		16.20						
HMH72B241S	TP9C080B12MP13C	21.0	CU/CU/CF/CM36C	600	8.8	7.9		33.55	5.9				4.42	
HMH72B241S	YP9C080B12MP13C	21.0	CU/CU/CF/CM36C	850	22.0	17.4	17.25	10.00	21.6	14.3	9.50	7.00	3.26	2.38
HMH72B241S	YP9C080B12MP13C	21.0	CU/CU/CF/CM36C	600	13.1	9.1		16.20						
HMH72B241S	YP9C080B12MP13C	21.0	CU/CU/CF/CM36C	600	8.8	7.9		33.55	5.9				4.42	
HMH72B241S	TM9V080B12MP12C	17.5	CF/CM/CU36B	850	22.0	17.4	17.00	10.00	21.8	14.4	9.50	7.15	3.26	2.38
HMH72B241S	TM9V080B12MP12C	17.5	CF/CM/CU36B	600	13.1	9.1		16.10						
HMH72B241S	TM9V080B12MP12C	17.5	CF/CM/CU36B	600	8.7	7.8		33.00	5.9				4.38	
HMH72B241S	TP9C080B12MP13C	17.5	CF/CM/CU36B	850	22.0	17.4	17.00	10.00	21.8	14.4	9.50	7.15	3.26	2.38
HMH72B241S	TP9C080B12MP13C	17.5	CF/CM/CU36B	600	13.1	9.1		16.10						
HMH72B241S	TP9C080B12MP13C	17.5	CF/CM/CU36B	600	8.7	7.8		33.00	5.9				4.38	
HMH72B241S	YP9C080B12MP13C	17.5	CF/CM/CU36B	850	22.0	17.4	17.00	10.00	21.8	14.4	9.50	7.15	3.26	2.38
HMH72B241S	YP9C080B12MP13C	17.5	CF/CM/CU36B	600	13.1	9.1		16.10						
HMH72B241S	YP9C080B12MP13C	17.5	CF/CM/CU36B	600	8.7	7.8		33.00	5.9				4.38	
HMH72B241S	TM9V060B12MP12C	17.5	CF/CM/CU36B	875	22.0	17.5	17.00	9.75	22.0	14.5	8.50	6.40	3.26	2.36
HMH72B241S	TM9V060B12MP12C	17.5	CF/CM/CU36B	575	13.1	8.9		16.00						
HMH72B241S	TM9V060B12MP12C	17.5	CF/CM/CU36B	575	8.7	7.8		32.55	5.9				4.34	
HMH72B241S	TP9C060B12MP13C	17.5	CF/CM/CU36B	875	22.0	17.5	17.00	9.75	22.0	14.5	8.50	6.40	3.26	2.36
HMH72B241S	TP9C060B12MP13C	17.5	CF/CM/CU36B	575	13.1	8.9		16.00						
HMH72B241S	TP9C060B12MP13C	17.5	CF/CM/CU36B	575	8.7	7.8		32.55	5.9				4.34	
HMH72B241S	YP9C060B12MP13C	17.5	CF/CM/CU36B	875	22.0	17.5	17.00	9.75	22.0	14.5	8.50	6.40	3.26	2.36

**Table 6: System capacity - with high efficiency motor furnaces**

Unit model	Furnace		Coil model	Rated CFM	Cooling				Heating					
	Model	Width			Net MBH		SEER	EER	Net MBH		HSPF	HSPF region V	COP	
					Total	Sens.			47°F OD	17°F OD			47°F OD	17°F OD
HMH72B241S	YP9C060B12MP13C	17.5	CF/CM/CU36B	575	13.1	8.9		16.00						
HMH72B241S	YP9C060B12MP13C	17.5	CF/CM/CU36B	575	8.7	7.8		32.55	5.9				4.34	
HMH72B241S	TM9V040A10MP12C	17.5	CF/CM/CU36B	875	21.8	17.3	16.25	9.25	22.2	14.7	8.50	6.15	3.18	2.32
HMH72B241S	TM9V040A10MP12C	17.5	CF/CM/CU36B	575	13.0	8.8		15.50						
HMH72B241S	TM9V040A10MP12C	17.5	CF/CM/CU36B	575	8.6	7.7		29.95	6.0				4.18	
HMH72B241S	TM9V040A10MP12C	14.5	CF/CM36A	875	21.6	17.1	16.00	9.25	22.2	14.9	8.50	6.35	3.16	2.30
HMH72B241S	TM9V040A10MP12C	14.5	CF/CM36A	575	13.0	8.9		15.35						
HMH72B241S	TM9V040A10MP12C	14.5	CF/CM36A	575	8.6	7.8		29.15	6.0				4.12	
HMH72B241S	TM9E040A10MP12	17.5	CF/CM/CU36B	825	21.6	16.8	16.00	9.50	21.8	14.5	9.00	6.80	3.14	2.32
HMH72B241S	TM9E040A10MP12	17.5	CF/CM/CU36B	650	13.1	9.7		15.20						
HMH72B241S	TM9E040A10MP12	17.5	CF/CM/CU36B	650	8.7	8.1		28.10	6.1				4.06	
HMH72B241S	TL9E060B12UH11	21.0	CU/CU/CF/CM36C	875	22.0	17.5	16.75	9.75	22.0	14.5	8.50	6.40	3.26	2.38
HMH72B241S	TL9E060B12UH11	21.0	CU/CU/CF/CM36C	700	13.3	10.2		15.80						
HMH72B241S	TL9E060B12UH11	21.0	CU/CU/CF/CM36C	700	8.9	8.4		30.85	6.1				4.28	
HMH72B601S	TM9V100C20MP12C	24.5	CF/CM64D	1600	57.0	38.0	16.00	8.25	55.5	38.0	9.50	7.85	3.16	2.54
HMH72B601S	TM9V100C20MP12C	24.5	CF/CM64D	975	32.6	16.9		15.65						
HMH72B601S	TM9V100C20MP12C	24.5	CF/CM64D	975	17.9	15.1		31.05	17.7				4.42	
HMH72B601S	TP9C100C20MP13C	24.5	CF/CM64D	1600	57.0	38.0	16.00	8.25	55.5	38.0	9.50	7.85	3.16	2.54
HMH72B601S	TP9C100C20MP13C	24.5	CF/CM64D	975	32.6	16.9		15.65						
HMH72B601S	TP9C100C20MP13C	24.5	CF/CM64D	975	17.9	15.1		31.05	17.7				4.42	
HMH72B601S	YP9C100C20MP13C	24.5	CF/CM64D	1600	57.0	38.0	16.00	8.25	55.5	38.0	9.50	7.85	3.16	2.54
HMH72B601S	YP9C100C20MP13C	24.5	CF/CM64D	975	32.6	16.9		15.65						
HMH72B601S	YP9C100C20MP13C	24.5	CF/CM64D	975	17.9	15.1		31.05	17.7				4.42	
HMH72B601S	TM9V080C16MP12C	24.5	CF/CM64D	1525	56.5	37.2	15.75	8.25	55.5	38.0	9.50	7.80	3.12	2.50
HMH72B601S	TM9V080C16MP12C	24.5	CF/CM64D	975	32.4	16.8		15.50						
HMH72B601S	TM9V080C16MP12C	24.5	CF/CM64D	975	17.9	15.1		30.05	17.7				4.36	
HMH72B601S	TP9C080C16MP13C	24.5	CF/CM64D	1525	56.5	37.2	15.75	8.25	55.5	38.0	9.50	7.80	3.12	2.50
HMH72B601S	TP9C080C16MP13C	24.5	CF/CM64D	975	32.4	16.8		15.50						
HMH72B601S	TP9C080C16MP13C	24.5	CF/CM64D	975	17.9	15.1		30.05	17.7				4.36	
HMH72B601S	YP9C080C16MP13C	24.5	CF/CM64D	1525	56.5	37.2	15.75	8.25	55.5	38.0	9.50	7.80	3.12	2.50
HMH72B601S	YP9C080C16MP13C	24.5	CF/CM64D	975	32.4	16.8		15.50						
HMH72B601S	YP9C080C16MP13C	24.5	CF/CM64D	975	17.9	15.1		30.05	17.7				4.36	
HMH72B601S	TM9E100C20MP12	24.5	CF/CM64D	1725	57.5	39.0	15.75	8.25	56.0	38.5	9.50	7.70	3.20	2.56
HMH72B601S	TM9E100C20MP12	24.5	CF/CM64D	1275	33.8	20.2		15.65						
HMH72B601S	TM9E100C20MP12	24.5	CF/CM64D	1275	18.4	17.2		28.25	18.4				4.46	
HMH72B601S	TM9E080C20MP12	24.5	CF/CM64D	1750	57.5	39.0	15.75	8.25	56.0	38.5	9.50	7.80	3.20	2.54
HMH72B601S	TM9E080C20MP12	24.5	CF/CM64D	1275	33.8	20.2		15.65						
HMH72B601S	TM9E080C20MP12	24.5	CF/CM64D	1275	18.4	17.2		28.05	18.4				4.44	
HMH72B601S	TM8V120C20MP12C	24.5	CF/CM64D	1775	57.5	39.0	16.00	8.25	56.0	39.0	9.50	7.75	3.22	2.56
HMH72B601S	TM8V120C20MP12C	24.5	CF/CM64D	1225	33.6	19.6		15.75						
HMH72B601S	TM8V120C20MP12C	24.5	CF/CM64D	1225	18.4	16.9		29.10	18.2				4.48	
HMH72B601S	TM8V100C20MP12C	24.5	CF/CM64D	1775	57.5	39.0	16.00	8.25	56.0	39.0	9.50	7.75	3.22	2.56
HMH72B601S	TM8V100C20MP12C	24.5	CF/CM64D	1225	33.6	19.6		15.75						
HMH72B601S	TM8V100C20MP12C	24.5	CF/CM64D	1225	18.4	16.9		29.10	18.2				4.48	
HMH72B601S	TMLV120C20MP12C	24.5	CF/CM64D	1775	57.5	39.0	16.00	8.25	56.0	39.0	9.50	7.75	3.22	2.56
HMH72B601S	TMLV120C20MP12C	24.5	CF/CM64D	1225	33.6	19.6		15.75						
HMH72B601S	TMLV120C20MP12C	24.5	CF/CM64D	1225	18.4	16.9		29.10	18.2				4.48	
HMH72B601S	TPLC100C20MP13C	24.5	CF/CM64D	1775	57.5	39.0	16.00	8.25	56.0	39.0	9.50	7.75	3.22	2.56
HMH72B601S	TPLC100C20MP13C	24.5	CF/CM64D	1225	33.6	19.6		15.75						
HMH72B601S	TPLC100C20MP13C	24.5	CF/CM64D	1225	18.4	16.9		29.10	18.2				4.48	

**Table 6: System capacity - with high efficiency motor furnaces**

Unit model	Furnace		Coil model	Rated CFM	Cooling				Heating					
	Model	Width			Net MBH		SEER	EER	Net MBH		HSPF	HSPF region V	COP	
					Total	Sens.			47°F OD	17°F OD			47°F OD	17°F OD
HMH72B601S	TPLC120C20MP13C	24.5	CF/CM64D	1775	57.5	39.0	16.00	8.25	56.0	39.0	9.50	7.75	3.22	2.56
HMH72B601S	TPLC120C20MP13C	24.5	CF/CM64D	1225	33.6	19.6		15.75						
HMH72B601S	TPLC120C20MP13C	24.5	CF/CM64D	1225	18.4	16.9		29.10	18.2				4.48	
HMH72B601S	YPLC100C20MP13C	24.5	CF/CM64D	1775	57.5	39.0	16.00	8.25	56.0	39.0	9.50	7.75	3.22	2.56
HMH72B601S	YPLC100C20MP13C	24.5	CF/CM64D	1225	33.6	19.6		15.75						
HMH72B601S	YPLC100C20MP13C	24.5	CF/CM64D	1225	18.4	16.9		29.10	18.2				4.48	
HMH72B601S	YPLC120C20MP13C	24.5	CF/CM64D	1775	57.5	39.0	16.00	8.25	56.0	39.0	9.50	7.75	3.22	2.56
HMH72B601S	YPLC120C20MP13C	24.5	CF/CM64D	1225	33.6	19.6		15.75						
HMH72B601S	YPLC120C20MP13C	24.5	CF/CM64D	1225	18.4	16.9		29.10	18.2				4.48	
HMH72B601S	TM8E120C20MP11	24.5	CF/CM64D	1525	57.0	37.6	15.75	8.50	55.0	37.6	9.50	7.75	3.18	2.56
HMH72B601S	TM8E120C20MP11	24.5	CF/CM64D	1300	34.0	20.6		15.45						
HMH72B601S	TM8E120C20MP11	24.5	CF/CM64D	1300	18.4	17.4		26.95	18.5				4.38	
HMH72B601S	TMLE120C20MP11	24.5	CF/CM64D	1525	57.0	37.6	15.75	8.50	55.0	37.6	9.50	7.75	3.18	2.56
HMH72B601S	TMLE120C20MP11	24.5	CF/CM64D	1300	34.0	20.6		15.45						
HMH72B601S	TMLE120C20MP11	24.5	CF/CM64D	1300	18.4	17.4		26.95	18.5				4.38	
HMH72B601S	TM8E120C16MP11	24.5	CF/CM64D	1575	57.0	37.8	16.00	8.25	55.5	38.0	9.50	7.85	3.16	2.52
HMH72B601S	TM8E120C16MP11	24.5	CF/CM64D	900	32.2	15.9		15.80						
HMH72B601S	TM8E120C16MP11	24.5	CF/CM64D	900	17.9	14.6		33.00	17.5				4.44	
HMH72B601S	TMLE120C16MP11	24.5	CF/CM64D	1575	57.0	37.8	16.00	8.25	55.5	38.0	9.50	7.85	3.16	2.52
HMH72B601S	TMLE120C16MP11	24.5	CF/CM64D	900	32.2	15.9		15.80						
HMH72B601S	TMLE120C16MP11	24.5	CF/CM64D	900	17.9	14.6		33.00	17.5				4.44	
HMH72B601S	TM8E100C16MP11	24.5	CF/CM64D	1575	57.0	37.8	16.00	8.25	55.5	38.0	9.50	7.85	3.14	2.52
HMH72B601S	TM8E100C16MP11	24.5	CF/CM64D	1025	32.8	17.4		15.75						
HMH72B601S	TM8E100C16MP11	24.5	CF/CM64D	1025	18.1	15.5		31.20	17.8				4.44	
HMH72B601S	TMLE100C16MP11	24.5	CF/CM64D	1575	57.0	37.8	16.00	8.25	55.5	38.0	9.50	7.85	3.14	2.52
HMH72B601S	TMLE100C16MP11	24.5	CF/CM64D	1025	32.8	17.4		15.75						
HMH72B601S	TMLE100C16MP11	24.5	CF/CM64D	1025	18.1	15.5		31.20	17.8				4.44	
HMH72B601S	TL8E100C20UH11	24.5	CF/CM64D	1600	57.0	38.0	16.25	8.50	55.5	38.0	9.50	7.75	3.18	2.56
HMH72B601S	TL8E100C20UH11	24.5	CF/CM64D	1125	33.4	18.7		15.90						
HMH72B601S	TL8E100C20UH11	24.5	CF/CM64D	1125	18.3	16.2		31.05	17.9				4.50	
HMH72B601S	TL8E080C16UH11	24.5	CF/CM64D	1550	56.5	37.2	16.00	8.25	55.5	38.0	9.50	7.90	3.14	2.52
HMH72B601S	TL8E080C16UH11	24.5	CF/CM64D	1000	32.6	17.1		15.65						
HMH72B601S	TL8E080C16UH11	24.5	CF/CM64D	1000	18.0	15.3		30.85	17.7				4.40	
HMH72B481S	TM9V080C16MP12C	24.5	CF/CM64D	1525	47.5	33.2	16.75	9.50	46.5	30.8	9.00	7.35	3.30	2.44
HMH72B481S	TM9V080C16MP12C	24.5	CF/CM64D	975	27.8	16.4		16.45						
HMH72B481S	TM9V080C16MP12C	24.5	CF/CM64D	975	15.9	14.0		30.25	17.0				4.14	
HMH72B481S	TP9C080C16MP13C	24.5	CF/CM64D	1525	47.5	33.2	16.75	9.50	46.5	30.8	9.00	7.35	3.30	2.44
HMH72B481S	TP9C080C16MP13C	24.5	CF/CM64D	975	27.8	16.4		16.45						
HMH72B481S	TP9C080C16MP13C	24.5	CF/CM64D	975	15.9	14.0		30.25	17.0				4.14	
HMH72B481S	YP9C080C16MP13C	24.5	CF/CM64D	1525	47.5	33.2	16.75	9.50	46.5	30.8	9.00	7.35	3.30	2.44
HMH72B481S	YP9C080C16MP13C	24.5	CF/CM64D	975	27.8	16.4		16.45						
HMH72B481S	YP9C080C16MP13C	24.5	CF/CM64D	975	15.9	14.0		30.25	17.0				4.14	
HMH72B481S	TL9E080C16UH11	24.5	CF/CM64D	1400	47.5	32.6	17.25	9.75	46.0	29.6	9.00	7.35	3.24	2.42
HMH72B481S	TL9E080C16UH11	24.5	CF/CM64D	950	27.6	16.0		16.55						
HMH72B481S	TL9E080C16UH11	24.5	CF/CM64D	950	15.9	13.8		31.15	17.2				4.24	
HMH72B241S	TL9E060B12UH11	17.5	CF/CM/CU36B	850	21.8	17.2	16.50	9.75	21.8	14.5	9.30	5.95	3.22	2.36
HMH72B241S	TL9E060B12UH11	17.5	CF/CM/CU36B	675	13.2	9.9		15.65						
HMH72B241S	TL9E060B12UH11	17.5	CF/CM/CU36B	675	8.8	8.2		30.35	6.1				4.22	
HMH72B241S	TL8E060A12UH11	17.5	CF/CM/CU36B	875	22.0	17.5	16.75	10.00	21.8	14.5	9.30	6.35	3.28	2.38
HMH72B241S	TL8E060A12UH11	17.5	CF/CM/CU36B	725	13.3	10.5		15.75						
HMH72B241S	TL8E060A12UH11	17.5	CF/CM/CU36B	725	8.9	8.4		30.65	6.2				4.26	
HMH72B241S	TL8E060A12UH11	14.5	CF/CM36A	825	21.8	17.0	16.75	9.75	21.6	14.4	9.30	5.95	3.20	2.34

**Table 6: System capacity - with high efficiency motor furnaces**

Unit model	Furnace		Coil model	Rated CFM	Cooling				Heating					
	Model	Width			Net MBH		SEER	EER	Net MBH		HSPF	HSPF region V	COP	
					Total	Sens.			47°F OD	17°F OD			47°F OD	17°F OD
HMH72B241S	TL8E060A12UH11	14.5	CF/CM36A	675	13.2	9.9		15.85						
HMH72B241S	TL8E060A12UH11	14.5	CF/CM36A	675	8.8	8.2		31.30	6.1				4.28	
HMH72B481S	TM9V100C16MP12C	24.5	CF/CM64D	1600	48.0	34.0	17.00	9.75	47.0	30.8	9.30	6.80	3.36	2.48
HMH72B481S	TM9V100C16MP12C	24.5	CF/CM64D	1100	28.2	17.7		16.55						
HMH72B481S	TM9V100C16MP12C	24.5	CF/CM64D	1100	16.1	15.0		29.35	17.3				4.24	
HMH72B481S	TP9C100C16MP13C	24.5	CF/CM64D	1600	48.0	34.0	17.00	9.75	47.0	30.8	9.30	6.80	3.36	2.48
HMH72B481S	TP9C100C16MP13C	24.5	CF/CM64D	1100	28.2	17.7		16.55						
HMH72B481S	TP9C100C16MP13C	24.5	CF/CM64D	1100	16.1	15.0		29.35	17.3				4.24	
HMH72B481S	YP9C100C16MP13C	24.5	CF/CM64D	1600	48.0	34.0	17.00	9.75	47.0	30.8	9.30	6.80	3.36	2.48
HMH72B481S	YP9C100C16MP13C	24.5	CF/CM64D	1100	28.2	17.7		16.55						
HMH72B481S	YP9C100C16MP13C	24.5	CF/CM64D	1100	16.1	15.0		29.35	17.3				4.24	
HMH72B481S	TM8V120C20MP12C	24.5	CF/CM64D	1550	48.0	34.0	17.50	10.00	46.5	29.8	9.30	6.85	3.36	2.46
HMH72B481S	TM8V120C20MP12C	24.5	CF/CM64D	1075	28.2	17.4		16.85						
HMH72B481S	TM8V120C20MP12C	24.5	CF/CM64D	1075	16.1	14.7		31.20	17.5				4.40	
HMH72B481S	TM8V100C20MP12C	24.5	CF/CM64D	1550	48.0	34.0	17.50	10.00	46.5	29.8	9.30	6.85	3.36	2.46
HMH72B481S	TM8V100C20MP12C	24.5	CF/CM64D	1075	28.2	17.4		16.85						
HMH72B481S	TM8V100C20MP12C	24.5	CF/CM64D	1075	16.1	14.7		31.20	17.5				4.40	
HMH72B481S	TMLV120C20MP12C	24.5	CF/CM64D	1550	48.0	34.0	17.50	10.00	46.5	29.8	9.30	6.85	3.36	2.46
HMH72B481S	TMLV120C20MP12C	24.5	CF/CM64D	1075	28.2	17.4		16.85						
HMH72B481S	TMLV120C20MP12C	24.5	CF/CM64D	1075	16.1	14.7		31.20	17.5				4.40	
HMH72B481S	TPLC100C20MP13C	24.5	CF/CM64D	1550	48.0	34.0	17.50	10.00	46.5	29.8	9.30	6.85	3.36	2.46
HMH72B481S	TPLC100C20MP13C	24.5	CF/CM64D	1075	28.2	17.4		16.85						
HMH72B481S	TPLC100C20MP13C	24.5	CF/CM64D	1075	16.1	14.7		31.20	17.5				4.40	
HMH72B481S	TPLC120C20MP13C	24.5	CF/CM64D	1550	48.0	34.0	17.50	10.00	46.5	29.8	9.30	6.85	3.36	2.46
HMH72B481S	TPLC120C20MP13C	24.5	CF/CM64D	1075	28.2	17.4		16.85						
HMH72B481S	TPLC120C20MP13C	24.5	CF/CM64D	1075	16.1	14.7		31.20	17.5				4.40	
HMH72B481S	YPLC100C20MP13C	24.5	CF/CM64D	1550	48.0	34.0	17.50	10.00	46.5	29.8	9.30	6.85	3.36	2.46
HMH72B481S	YPLC100C20MP13C	24.5	CF/CM64D	1075	28.2	17.4		16.85						
HMH72B481S	YPLC100C20MP13C	24.5	CF/CM64D	1075	16.1	14.7		31.20	17.5				4.40	
HMH72B481S	YPLC120C20MP13C	24.5	CF/CM64D	1550	48.0	34.0	17.50	10.00	46.5	29.8	9.30	6.85	3.36	2.46
HMH72B481S	YPLC120C20MP13C	24.5	CF/CM64D	1075	28.2	17.4		16.85						
HMH72B481S	YPLC120C20MP13C	24.5	CF/CM64D	1075	16.1	14.7		31.20	17.5				4.40	
HMH72B481S	TM8E080C16MP11	24.5	CF/CM64D	1575	48.0	34.0	17.25	9.75	46.5	30.2	9.30	6.80	3.32	2.44
HMH72B481S	TM8E080C16MP11	24.5	CF/CM64D	1025	28.0	16.9		16.75						
HMH72B481S	TM8E080C16MP11	24.5	CF/CM64D	1025	16.0	14.3		31.25	17.4				4.32	
HMH72B481S	TMLE080C16MP11	24.5	CF/CM64D	1575	48.0	34.0	17.25	9.75	46.5	30.2	9.30	6.80	3.32	2.44
HMH72B481S	TMLE080C16MP11	24.5	CF/CM64D	1025	28.0	16.9		16.75						
HMH72B481S	TMLE080C16MP11	24.5	CF/CM64D	1025	16.0	14.3		31.25	17.4				4.32	
HMH72B481S	TM9Y120D20MP11	24.5	CF/CM64D	1575	48.0	34.2	17.50	9.50	46.5	30.6	9.30	7.55	3.36	2.48
HMH72B481S	TM9Y120D20MP11	24.5	CF/CM64D	1050	28.2	17.2		17.00						
HMH72B481S	TM9Y120D20MP11	24.5	CF/CM64D	1050	16.1	14.5		32.30	17.1				4.30	
HMH72B481S	TM9Y080C16MP11	24.5	CF/CM64D	1400	47.0	32.0	17.00	9.75	46.0	30.2	9.00	7.30	3.26	2.44
HMH72B481S	TM9Y080C16MP11	24.5	CF/CM64D	725	26.6	13.5		16.35						
HMH72B481S	TM9Y080C16MP11	24.5	CF/CM64D	725	15.5	12.0		33.10	16.3				3.94	
HMH72B601S	TM9Y120D20MP11	24.5	CF/CM64D	1575	57.0	37.8	16.25	8.25	55.5	38.0	9.50	7.80	3.16	2.54
HMH72B601S	TM9Y120D20MP11	24.5	CF/CM64D	1050	33.0	17.7		15.90						
HMH72B601S	TM9Y120D20MP11	24.5	CF/CM64D	1050	18.2	15.7		31.90	17.8				4.48	
HMH72B481S	TM9E080C16MP12	24.5	CF/CM64D	1575	48.0	34.0	17.00	9.50	47.0	31.2	9.00	7.20	3.30	2.44
HMH72B481S	TM9E080C16MP12	24.5	CF/CM64D	825	27.0	14.5		16.60						
HMH72B481S	TM9E080C16MP12	24.5	CF/CM64D	825	15.7	12.8		33.30	16.5				4.06	
HMH72B241S	TM8Y080B12MP11	21.0	CF/CM36C	850	22.0	17.4	17.00	10.00	21.6	14.3	9.50	7.55	3.26	2.40
HMH72B241S	TM8Y080B12MP11	21.0	CF/CM36C	725	13.3	10.4		16.10						

**Table 6: System capacity - with high efficiency motor furnaces**

Unit model	Furnace		Coil model	Rated CFM	Cooling				Heating					
	Model	Width			Net MBH		SEER	EER	Net MBH		HSPF	HSPF region V	COP	
					Total	Sens.			47°F OD	17°F OD			47°F OD	17°F OD
HMH72B241S	TM8Y080B12MP11	21.0	CF/CM36C	725	8.9	8.4		32.40	6.1				4.40	
HMH72B241S	TM8Y080B12MP11	17.5	CF/CM/CU36B	825	22.0	17.2	17.00	10.00	21.6	14.3	9.30	7.40	3.22	2.38
HMH72B241S	TM8Y080B12MP11	17.5	CF/CM/CU36B	700	13.3	10.2		15.90						
HMH72B241S	TM8Y080B12MP11	17.5	CF/CM/CU36B	700	8.9	8.3		31.60	6.1				4.34	
HMH72B241S	TM8Y060A12MP11	14.5	CF/CM36A	775	21.8	16.6	16.50	9.75	21.4	14.2	9.00	7.15	3.14	2.32
HMH72B241S	TM8Y060A12MP11	14.5	CF/CM36A	650	13.1	9.6		15.60						
HMH72B241S	TM8Y060A12MP11	14.5	CF/CM36A	650	8.8	8.1		30.20	6.1				4.20	
HMH72B361S	TM8Y080C16MP11	21.0	CF/CM36C	1150	35.6	25.4	17.50	9.00	34.0	24.2	9.50	7.75	3.18	2.54
HMH72B361S	TM8Y080C16MP11	21.0	CF/CM36C	775	22.0	12.9		16.50						
HMH72B361S	TM8Y080C16MP11	21.0	CF/CM36C	775	14.4	12.3		34.20	9.5				4.56	
HMH72B361S	TM8Y060A12MP11	17.5	CF/CM/CU36B	1125	35.2	24.8	16.75	8.75	34.0	24.4	9.50	7.75	3.08	2.48
HMH72B361S	TM8Y060A12MP11	17.5	CF/CM/CU36B	700	21.6	12.0		16.05						
HMH72B361S	TM8Y060A12MP11	17.5	CF/CM/CU36B	700	14.1	11.6		32.35	9.5				4.36	
HMH72B361S	TM8Y060A12MP11	14.5	CF/CM36A	1075	34.8	24.2	16.50	8.75	33.6	24.4	9.50	7.90	3.02	2.46
HMH72B361S	TM8Y060A12MP11	14.5	CF/CM36A	675	21.6	11.9		15.90						
HMH72B361S	TM8Y060A12MP11	14.5	CF/CM36A	675	14.0	11.4		31.70	9.5				4.30	
HMH72B481S	TM8Y120C20MP11	24.5	CF/CM64D	1550	48.0	34.0	17.50	10.00	46.5	29.8	9.30	7.60	3.36	2.46
HMH72B481S	TM8Y120C20MP11	24.5	CF/CM64D	1075	28.2	17.4		16.95						
HMH72B481S	TM8Y120C20MP11	24.5	CF/CM64D	1075	16.2	14.8		31.65	17.5				4.40	
HMH72B481S	TM8Y100C20MP11	24.5	CF/CM64D	1550	48.0	34.0	17.50	10.00	46.5	29.8	9.30	7.60	3.36	2.46
HMH72B481S	TM8Y100C20MP11	24.5	CF/CM64D	1075	28.2	17.4		16.95						
HMH72B481S	TM8Y100C20MP11	24.5	CF/CM64D	1075	16.2	14.8		31.65	17.5				4.40	
HMH72B481S	TM8Y080C16MP11	24.5	CF/CM64D	1525	48.0	33.6	17.25	9.75	46.5	30.2	9.00	7.35	3.28	2.42
HMH72B481S	TM8Y080C16MP11	24.5	CF/CM64D	775	26.8	14.0		16.75						
HMH72B481S	TM8Y080C16MP11	24.5	CF/CM64D	775	15.7	12.4		34.90	16.7				4.18	
HMH72B601S	TM8Y120C20MP11	24.5	CF/CM64D	1550	57.0	37.8	16.25	8.50	55.0	37.8	9.50	7.70	3.16	2.54
HMH72B601S	TM8Y120C20MP11	24.5	CF/CM64D	1075	33.0	17.9		15.85						
HMH72B601S	TM8Y120C20MP11	24.5	CF/CM64D	1075	18.2	15.8		31.35	17.8				4.48	
HMH72B601S	TM8Y100C20MP11	24.5	CF/CM64D	1550	57.0	37.8	16.25	8.50	55.0	37.8	9.50	7.70	3.16	2.54
HMH72B601S	TM8Y100C20MP11	24.5	CF/CM64D	1075	33.0	17.9		15.85						
HMH72B601S	TM8Y100C20MP11	24.5	CF/CM64D	1075	18.2	15.8		31.35	17.8				4.48	
HMH72B361S	TM9Y080C16MP11	21.0	CU/CU/CF/CM36C	1250	35.8	26.2	16.75	8.75	35.0	24.6	9.50	7.75	3.22	2.52
HMH72B361S	TM9Y080C16MP11	21.0	CU/CU/CF/CM36C	725	21.8	12.4		16.10						
HMH72B361S	TM9Y080C16MP11	21.0	CU/CU/CF/CM36C	725	14.2	11.8		32.50	9.5				4.34	
HMH72B361S	TM9Y080B12MP11	17.5	CF/CM/CU36B	1150	35.2	25.0	16.50	8.75	34.2	24.6	9.50	7.80	3.10	2.48
HMH72B361S	TM9Y080B12MP11	17.5	CF/CM/CU36B	750	21.8	12.7		16.00						
HMH72B361S	TM9Y080B12MP11	17.5	CF/CM/CU36B	750	14.2	12.0		31.60	9.6				4.36	
HMH72B361S	TM9Y060B12MP11	21.0	CU/CU/CF/CM36C	1125	35.2	24.8	16.50	8.75	34.0	24.6	9.50	7.80	3.06	2.46
HMH72B361S	TM9Y060B12MP11	21.0	CU/CU/CF/CM36C	725	21.8	12.5		15.90						
HMH72B361S	TM9Y060B12MP11	21.0	CU/CU/CF/CM36C	725	14.1	11.8		31.20	9.6				4.30	
HMH72B241S	TM9Y060B12MP11	21.0	CU/CU/CF/CM36C	875	22.0	17.5	16.50	9.75	22.0	14.5	9.00	7.20	3.26	2.38
HMH72B241S	TM9Y060B12MP11	21.0	CU/CU/CF/CM36C	725	13.3	10.5		15.60						
HMH72B241S	TM9Y060B12MP11	21.0	CU/CU/CF/CM36C	725	8.9	8.5		29.95	6.2				4.24	
HMH72B241S	TM9Y060B12MP11	17.5	CF/CM/CU36B	875	22.0	17.5	16.25	9.75	22.0	14.5	8.50	6.80	3.26	2.36
HMH72B241S	TM9Y060B12MP11	17.5	CF/CM/CU36B	700	13.2	10.2		15.50						
HMH72B241S	TM9Y060B12MP11	17.5	CF/CM/CU36B	700	8.8	8.3		29.35	6.2				4.18	



**Table 6: System capacity - with high efficiency motor furnaces**

Unit model	Furnace		Coil model	Rated CFM	Cooling				Heating					
	Model	Width			Net MBH		SEER	EER	Net MBH		HSPF	HSPF region V	COP	
					Total	Sens.			47°F OD	17°F OD			47°F OD	17°F OD
HMH72B361S	TM9Y100C16MP11	21.0	XAHC36D	1200	34.8	25.0	16.25	8.75	35.4	24.6	9.50	7.60	3.26	2.54
HMH72B361S	TM9Y100C16MP11	21.0	XAHC36D	625	20.8	10.8		15.60						
HMH72B361S	TM9Y100C16MP11	21.0	XAHC36D	625	13.8	10.6		32.15	9.5				4.50	
HMH72B361S	TM9Y080C16MP11	21.0	XAHC36D	1200	34.8	25.0	16.25	8.75	35.6	24.6	9.50	7.05	3.26	2.54
HMH72B361S	TM9Y080C16MP11	21.0	XAHC36D	650	20.8	11.0		15.55						
HMH72B361S	TM9Y080C16MP11	21.0	XAHC36D	650	13.8	10.8		31.35	9.6				4.32	
HMH72B361S	TM9Y080B12MP11	21.0	XAHC36D	1125	34.2	24.0	16.00	8.50	35.2	24.4	9.50	7.30	3.18	2.50
HMH72B361S	TM9Y080B12MP11	21.0	XAHC36D	725	21.2	11.9		15.45						
HMH72B361S	TM9Y080B12MP11	21.0	XAHC36D	725	13.9	11.4		29.95	9.8				4.38	
HMH72B361S	TM9V100C20MP12C	21.0	XAHC36D	1350	35.4	26.2	16.25	8.75	36.0	25.0	9.50	7.45	3.36	2.58
HMH72B361S	TM9V100C20MP12C	21.0	XAHC36D	825	21.6	13.0		15.65						
HMH72B361S	TM9V100C20MP12C	21.0	XAHC36D	825	14.2	12.4		29.70	9.9				4.52	
HMH72B361S	TP9C100C20MP13C	21.0	XAHC36D	1350	35.4	26.2	16.25	8.75	36.0	25.0	9.50	7.45	3.36	2.58
HMH72B361S	TP9C100C20MP13C	21.0	XAHC36D	825	21.6	13.0		15.65						
HMH72B361S	TP9C100C20MP13C	21.0	XAHC36D	825	14.2	12.4		29.70	9.9				4.52	
HMH72B361S	YP9C100C20MP13C	21.0	XAHC36D	1350	35.4	26.2	16.25	8.75	36.0	25.0	9.50	7.45	3.36	2.58
HMH72B361S	YP9C100C20MP13C	21.0	XAHC36D	825	21.6	13.0		15.65						
HMH72B361S	YP9C100C20MP13C	21.0	XAHC36D	825	14.2	12.4		29.70	9.9				4.52	
HMH72B361S	TM9V080C16MP12C	21.0	XAHC36D	1225	34.8	25.0	16.00	8.75	35.6	24.6	9.50	6.90	3.28	2.54
HMH72B361S	TM9V080C16MP12C	21.0	XAHC36D	800	21.6	12.9		15.45						
HMH72B361S	TM9V080C16MP12C	21.0	XAHC36D	800	14.1	12.2		29.00	9.9				4.46	
HMH72B361S	TP9C080C16MP13C	21.0	XAHC36D	1225	34.8	25.0	16.00	8.75	35.6	24.6	9.50	6.90	3.28	2.54
HMH72B361S	TP9C080C16MP13C	21.0	XAHC36D	800	21.6	12.9		15.45						
HMH72B361S	TP9C080C16MP13C	21.0	XAHC36D	800	14.1	12.2		29.00	9.9				4.46	
HMH72B361S	YP9C080C16MP13C	21.0	XAHC36D	1225	34.8	25.0	16.00	8.75	35.6	24.6	9.50	6.90	3.28	2.54
HMH72B361S	YP9C080C16MP13C	21.0	XAHC36D	800	21.6	12.9		15.45						
HMH72B361S	YP9C080C16MP13C	21.0	XAHC36D	800	14.1	12.2		29.00	9.9				4.46	
HMH72B361S	TM9V080B12MP12C	17.5	XAHB36D	1100	34.2	24.0	16.00	8.75	35.2	24.4	9.50	7.15	3.18	2.50
HMH72B361S	TM9V080B12MP12C	17.5	XAHB36D	750	21.2	12.2		15.25						
HMH72B361S	TM9V080B12MP12C	17.5	XAHB36D	750	13.9	11.7		28.70	9.8				4.38	
HMH72B361S	TP9C080B12MP13C	17.5	XAHB36D	1100	34.2	24.0	16.00	8.75	35.2	24.4	9.50	7.15	3.18	2.50
HMH72B361S	TP9C080B12MP13C	17.5	XAHB36D	750	21.2	12.2		15.25						
HMH72B361S	TP9C080B12MP13C	17.5	XAHB36D	750	13.9	11.7		28.70	9.8				4.38	
HMH72B361S	YP9C080B12MP13C	17.5	XAHB36D	1100	34.2	24.0	16.00	8.75	35.2	24.4	9.50	7.15	3.18	2.50
HMH72B361S	YP9C080B12MP13C	17.5	XAHB36D	750	21.2	12.2		15.25						
HMH72B361S	YP9C080B12MP13C	17.5	XAHB36D	750	13.9	11.7		28.70	9.8				4.38	
HMH72B361S	TM9V060B12MP12C	21.0	XAHC36D	1125	34.2	24.0	16.00	8.50	35.2	24.4	9.50	7.30	3.18	2.50
HMH72B361S	TM9V060B12MP12C	21.0	XAHC36D	700	21.0	11.6		15.25						
HMH72B361S	TM9V060B12MP12C	21.0	XAHC36D	700	13.8	11.2		29.15	9.7				4.38	
HMH72B361S	TP9C060B12MP13C	21.0	XAHC36D	1125	34.2	24.0	16.00	8.50	35.2	24.4	9.50	7.30	3.18	2.50
HMH72B361S	TP9C060B12MP13C	21.0	XAHC36D	700	21.0	11.6		15.25						
HMH72B361S	TP9C060B12MP13C	21.0	XAHC36D	700	13.8	11.2		29.15	9.7				4.38	
HMH72B361S	YP9C060B12MP13C	21.0	XAHC36D	1125	34.2	24.0	16.00	8.50	35.2	24.4	9.50	7.30	3.18	2.50
HMH72B361S	YP9C060B12MP13C	21.0	XAHC36D	700	21.0	11.6		15.25						
HMH72B361S	YP9C060B12MP13C	21.0	XAHC36D	700	13.8	11.2		29.15	9.7				4.38	
HMH72B361S	TM9V040A10MP12C	17.5	XAHB36D	950	33.2	22.2	15.25	8.50	34.6	24.2	9.50	7.65	3.04	2.44
HMH72B361S	TM9V040A10MP12C	17.5	XAHB36D	625	20.6	10.8		14.80						
HMH72B361S	TM9V040A10MP12C	17.5	XAHB36D	625	13.5	10.5		27.75	9.7				4.22	
HMH72B361S	TM9E080C16MP12	21.0	XAHC36D	1200	34.8	25.0	16.25	8.75	35.4	24.6	9.50	6.95	3.26	2.54
HMH72B361S	TM9E080C16MP12	21.0	XAHC36D	750	21.4	12.3		15.65						
HMH72B361S	TM9E080C16MP12	21.0	XAHC36D	750	14.0	11.7		30.55	9.8				4.44	
HMH72B361S	TM9E080B12MP12	17.5	XAHB36D	1175	34.4	24.4	15.75	8.50	35.6	24.8	9.50	7.35	3.20	2.50



**Table 6: System capacity - with high efficiency motor furnaces**

Unit model	Furnace		Coil model	Rated CFM	Cooling				Heating					
	Model	Width			Net MBH		SEER	EER	Net MBH		HSPF	HSPF region V	COP	
					Total	Sens.			47°F OD	17°F OD			47°F OD	17°F OD
HMH72B361S	TM9E080B12MP12	17.5	XAHB36D	775	21.4	12.6		15.25						
HMH72B361S	TM9E080B12MP12	17.5	XAHB36D	775	14.0	11.9		28.35	10.0				4.32	
HMH72B361S	TM9E060A10MP12	17.5	XAHB36D	1000	33.6	23.0	15.75	8.50	34.8	24.2	9.50	7.40	3.10	2.46
HMH72B361S	TM9E060A10MP12	17.5	XAHB36D	700	21.0	11.6		15.10						
HMH72B361S	TM9E060A10MP12	17.5	XAHB36D	700	13.8	11.2		28.40	9.8				4.26	
HMH72B361S	TM8Y100C20MP11	21.0	XAHC36D	1150	34.8	24.8	16.25	9.00	35.0	24.2	9.50	7.30	3.28	2.56
HMH72B361S	TM8Y100C20MP11	21.0	XAHC36D	975	22.4	14.9		15.75						
HMH72B361S	TM8Y100C20MP11	21.0	XAHC36D	975	14.5	13.7		28.40	10.3				4.48	
HMH72B361S	TM8Y100C16MP11	21.0	XAHC36D	1125	34.6	24.4	16.50	9.00	34.8	24.0	9.50	7.20	3.26	2.56
HMH72B361S	TM8Y100C16MP11	21.0	XAHC36D	750	21.4	12.2		15.80						
HMH72B361S	TM8Y100C16MP11	21.0	XAHC36D	750	14.1	11.7		31.50	9.7				4.54	
HMH72B361S	TM8Y080C16MP11	21.0	XAHC36D	1125	34.6	24.4	16.50	9.00	34.8	24.0	9.50	7.20	3.26	2.56
HMH72B361S	TM8Y080C16MP11	21.0	XAHC36D	750	21.4	12.2		15.80						
HMH72B361S	TM8Y080C16MP11	21.0	XAHC36D	750	14.1	11.7		31.50	9.7				4.54	
HMH72B361S	TM8Y080B12MP11	17.5	XAHB36D	1125	34.2	24.0	16.00	8.75	35.2	24.4	9.50	7.15	3.20	2.50
HMH72B361S	TM8Y080B12MP11	17.5	XAHB36D	675	21.0	11.4		15.45						
HMH72B361S	TM8Y080B12MP11	17.5	XAHB36D	675	13.8	11.0		30.50	9.7				4.40	
HMH72B361S	TM8Y060A12MP11	17.5	XAHB36D	1075	34.0	23.6	16.00	8.50	35.0	24.4	9.50	7.30	3.16	2.48
HMH72B361S	TM8Y060A12MP11	17.5	XAHB36D	650	20.8	11.0		15.35						
HMH72B361S	TM8Y060A12MP11	17.5	XAHB36D	650	13.7	10.7		30.20	9.6				4.36	
HMH72B361S	TM8V100C16MP12C	21.0	XAHC36D	1275	35.0	25.6	16.25	8.75	35.8	24.6	9.50	7.45	3.32	2.56
HMH72B361S	TM8V100C16MP12C	21.0	XAHC36D	850	21.8	13.4		15.70						
HMH72B361S	TM8V100C16MP12C	21.0	XAHC36D	850	14.2	12.6		29.50	10.0				4.52	
HMH72B361S	TM8V080C16MP12C	21.0	XAHC36D	1275	35.0	25.6	16.25	8.75	35.8	24.6	9.50	7.45	3.32	2.56
HMH72B361S	TM8V080C16MP12C	21.0	XAHC36D	850	21.8	13.4		15.70						
HMH72B361S	TM8V080C16MP12C	21.0	XAHC36D	850	14.2	12.6		29.50	10.0				4.52	
HMH72B361S	TMLV100C16MP12C	21.0	XAHC36D	1275	35.0	25.6	16.25	8.75	35.8	24.6	9.50	7.45	3.32	2.56
HMH72B361S	TMLV100C16MP12C	21.0	XAHC36D	850	21.8	13.4		15.70						
HMH72B361S	TMLV100C16MP12C	21.0	XAHC36D	850	14.2	12.6		29.50	10.0				4.52	
HMH72B361S	TPLC080C16MP13C	21.0	XAHC36D	1275	35.0	25.6	16.25	8.75	35.8	24.6	9.50	7.45	3.32	2.56
HMH72B361S	TPLC080C16MP13C	21.0	XAHC36D	850	21.8	13.4		15.70						
HMH72B361S	TPLC080C16MP13C	21.0	XAHC36D	850	14.2	12.6		29.50	10.0				4.52	
HMH72B361S	TPLC100C16MP13C	21.0	XAHC36D	1275	35.0	25.6	16.25	8.75	35.8	24.6	9.50	7.45	3.32	2.56
HMH72B361S	TPLC100C16MP13C	21.0	XAHC36D	850	21.8	13.4		15.70						
HMH72B361S	TPLC100C16MP13C	21.0	XAHC36D	850	14.2	12.6		29.50	10.0				4.52	
HMH72B361S	YPLC080C16MP13C	21.0	XAHC36D	1275	35.0	25.6	16.25	8.75	35.8	24.6	9.50	7.45	3.32	2.56
HMH72B361S	YPLC080C16MP13C	21.0	XAHC36D	850	21.8	13.4		15.70						
HMH72B361S	YPLC080C16MP13C	21.0	XAHC36D	850	14.2	12.6		29.50	10.0				4.52	
HMH72B361S	YPLC100C16MP13C	21.0	XAHC36D	1275	35.0	25.6	16.25	8.75	35.8	24.6	9.50	7.45	3.32	2.56
HMH72B361S	YPLC100C16MP13C	21.0	XAHC36D	850	21.8	13.4		15.70						
HMH72B361S	YPLC100C16MP13C	21.0	XAHC36D	850	14.2	12.6		29.50	10.0				4.52	
HMH72B361S	TM8V080B12MP12C	17.5	XAHB36D	1000	33.6	23.0	15.75	8.50	34.8	24.2	9.50	7.25	3.10	2.46
HMH72B361S	TM8V080B12MP12C	17.5	XAHB36D	675	20.8	11.3		15.05						
HMH72B361S	TM8V080B12MP12C	17.5	XAHB36D	675	13.7	11.0		28.50	9.7				4.30	
HMH72B361S	TPLC080B12MP13C	17.5	XAHB36D	1000	33.6	23.0	15.75	8.50	34.8	24.2	9.50	7.25	3.10	2.46
HMH72B361S	TPLC080B12MP13C	17.5	XAHB36D	675	20.8	11.3		15.05						
HMH72B361S	TPLC080B12MP13C	17.5	XAHB36D	675	13.7	11.0		28.50	9.7				4.30	
HMH72B361S	YPLC080B12MP13C	17.5	XAHB36D	1000	33.6	23.0	15.75	8.50	34.8	24.2	9.50	7.25	3.10	2.46
HMH72B361S	YPLC080B12MP13C	17.5	XAHB36D	675	20.8	11.3		15.05						
HMH72B361S	YPLC080B12MP13C	17.5	XAHB36D	675	13.7	11.0		28.50	9.7				4.30	
HMH72B361S	TM8E100B12MP11	21.0	XAHC36D	1200	34.6	24.8	16.25	8.75	35.6	24.6	9.50	6.90	3.24	2.52
HMH72B361S	TM8E100B12MP11	21.0	XAHC36D	750	21.4	12.3		15.70						

**Table 6: System capacity - with high efficiency motor furnaces**

Unit model	Furnace		Coil model	Rated CFM	Cooling				Heating					
	Model	Width			Net MBH		SEER	EER	Net MBH		HSPF	HSPF region V	COP	
					Total	Sens.			47°F OD	17°F OD			47°F OD	17°F OD
HMH72B361S	TM8E100B12MP11	21.0	XAHC36D	750	14.0	11.7		30.75	9.8				4.46	
HMH72B361S	TMLE100B12MP11	21.0	XAHC36D	1200	34.6	24.8	16.25	8.75	35.6	24.6	9.50	6.90	3.24	2.52
HMH72B361S	TMLE100B12MP11	21.0	XAHC36D	750	21.4	12.3		15.70						
HMH72B361S	TMLE100B12MP11	21.0	XAHC36D	750	14.0	11.7		30.75	9.8				4.46	
HMH72B361S	TM8E080C16MP11	21.0	XAHC36D	1225	35.0	25.2	16.50	9.00	35.4	24.4	9.50	7.30	3.30	2.56
HMH72B361S	TM8E080C16MP11	21.0	XAHC36D	825	21.6	13.0		15.80						
HMH72B361S	TM8E080C16MP11	21.0	XAHC36D	825	14.2	12.4		30.40	9.9				4.50	
HMH72B361S	TMLE080C16MP11	21.0	XAHC36D	1225	35.0	25.2	16.50	9.00	35.4	24.4	9.50	7.30	3.30	2.56
HMH72B361S	TMLE080C16MP11	21.0	XAHC36D	825	21.6	13.0		15.80						
HMH72B361S	TMLE080C16MP11	21.0	XAHC36D	825	14.2	12.4		30.40	9.9				4.50	
HMH72B361S	TM8E080B12MP11	21.0	XAHC36D	1200	34.6	24.8	16.25	8.75	35.6	24.6	9.50	7.15	3.24	2.52
HMH72B361S	TM8E080B12MP11	21.0	XAHC36D	750	21.2	12.1		15.55						
HMH72B361S	TM8E080B12MP11	21.0	XAHC36D	750	14.0	11.7		30.10	9.8				4.40	
HMH72B361S	TMLE080B12MP11	21.0	XAHC36D	1200	34.6	24.8	16.25	8.75	35.6	24.6	9.50	7.15	3.24	2.52
HMH72B361S	TMLE080B12MP11	21.0	XAHC36D	750	21.2	12.1		15.55						
HMH72B361S	TMLE080B12MP11	21.0	XAHC36D	750	14.0	11.7		30.10	9.8				4.40	
HMH72B361S	TM8E040A12MP11	17.5	XAHB36D	1150	34.4	24.4	16.25	8.75	35.4	24.6	9.50	7.15	3.20	2.50
HMH72B361S	TM8E040A12MP11	17.5	XAHB36D	700	21.0	11.5		15.55						
HMH72B361S	TM8E040A12MP11	17.5	XAHB36D	700	13.9	11.2		30.75	9.7				4.38	
HMH72B361S	TMLE040A12MP11	17.5	XAHB36D	1150	34.4	24.4	16.25	8.75	35.4	24.6	9.50	7.15	3.20	2.50
HMH72B361S	TMLE040A12MP11	17.5	XAHB36D	700	21.0	11.5		15.55						
HMH72B361S	TMLE040A12MP11	17.5	XAHB36D	700	13.9	11.2		30.75	9.7				4.38	
HMH72B361S	TL9E080C16UH11	21.0	XAHC36D	1200	34.8	25.0	16.00	8.75	35.4	24.6	9.50	7.15	3.26	2.54
HMH72B361S	TL9E080C16UH11	21.0	XAHC36D	900	22.0	14.0		15.60						
HMH72B361S	TL9E080C16UH11	21.0	XAHC36D	900	14.3	13.0		28.45	10.2				4.42	
HMH72B361S	TL9E060B12UH11	21.0	XAHC36D	1000	33.8	23.2	16.00	8.75	34.6	24.0	9.50	7.40	3.12	2.48
HMH72B361S	TL9E060B12UH11	21.0	XAHC36D	650	20.8	11.0		15.25						
HMH72B361S	TL9E060B12UH11	21.0	XAHC36D	650	13.7	10.7		29.80	9.7				4.32	
HMH72B361S	TL9E060B12UH11	17.5	XAHB36D	975	33.6	22.8	16.00	8.50	34.6	24.0	9.50	7.30	3.10	2.46
HMH72B361S	TL9E060B12UH11	17.5	XAHB36D	650	20.8	11.0		15.25						
HMH72B361S	TL9E060B12UH11	17.5	XAHB36D	650	13.7	10.8		29.60	9.7				4.30	
HMH72B241S	TM9Y080B12MP11	17.5	XAHB36D	850	21.6	16.3	16.00	9.75	21.0	14.2	8.50	6.80	3.10	2.36
HMH72B241S	TM9Y080B12MP11	17.5	XAHB36D	700	13.0	9.7		15.40						
HMH72B241S	TM9Y080B12MP11	17.5	XAHB36D	700	8.5	7.6		27.20	5.7				3.76	
HMH72B241S	TM9V060B12MP12C	21.0	XAHC36D	875	21.6	16.4	16.25	9.50	21.0	14.3	9.00	6.95	3.14	2.38
HMH72B241S	TM9V060B12MP12C	21.0	XAHC36D	575	12.8	8.5		15.65						
HMH72B241S	TM9V060B12MP12C	21.0	XAHC36D	575	8.3	7.0		29.60	5.5				3.94	
HMH72B241S	TP9C060B12MP13C	21.0	XAHC36D	875	21.6	16.4	16.25	9.50	21.0	14.3	9.00	6.95	3.14	2.38
HMH72B241S	TP9C060B12MP13C	21.0	XAHC36D	575	12.8	8.5		15.65						
HMH72B241S	TP9C060B12MP13C	21.0	XAHC36D	575	8.3	7.0		29.60	5.5				3.94	
HMH72B241S	YP9C060B12MP13C	21.0	XAHC36D	875	21.6	16.4	16.25	9.50	21.0	14.3	9.00	6.95	3.14	2.38
HMH72B241S	YP9C060B12MP13C	21.0	XAHC36D	575	12.8	8.5		15.65						
HMH72B241S	YP9C060B12MP13C	21.0	XAHC36D	575	8.3	7.0		29.60	5.5				3.94	
HMH72B241S	TM9V060B12MP12C	17.5	XAHB36D	875	21.6	16.4	16.00	9.50	21.2	14.4	8.50	6.55	3.12	2.36
HMH72B241S	TM9V060B12MP12C	17.5	XAHB36D	575	12.8	8.5		15.50						
HMH72B241S	TM9V060B12MP12C	17.5	XAHB36D	575	8.3	7.0		28.90	5.5				3.90	
HMH72B241S	TP9C060B12MP13C	17.5	XAHB36D	875	21.6	16.4	16.00	9.50	21.2	14.4	8.50	6.55	3.12	2.36
HMH72B241S	TP9C060B12MP13C	17.5	XAHB36D	575	12.8	8.5		15.50						
HMH72B241S	TP9C060B12MP13C	17.5	XAHB36D	575	8.3	7.0		28.90	5.5				3.90	
HMH72B241S	YP9C060B12MP13C	17.5	XAHB36D	875	21.6	16.4	16.00	9.50	21.2	14.4	8.50	6.55	3.12	2.36
HMH72B241S	YP9C060B12MP13C	17.5	XAHB36D	575	12.8	8.5		15.50						
HMH72B241S	YP9C060B12MP13C	17.5	XAHB36D	575	8.3	7.0		28.90	5.5				3.90	

**Table 6: System capacity - with high efficiency motor furnaces**

Unit model	Furnace		Coil model	Rated CFM	Cooling				Heating					
	Model	Width			Net MBH		SEER	EER	Net MBH		HSPF	HSPF region V	COP	
					Total	Sens.			47°F OD	17°F OD			47°F OD	17°F OD
HMH72B241S	TM9V040A10MP12C	17.5	XAHB36D	875	21.4	16.2	15.50	9.25	21.4	14.6	8.50	6.40	3.06	2.32
HMH72B241S	TM9V040A10MP12C	17.5	XAHB36D	575	12.7	8.5		15.05						
HMH72B241S	TM9V040A10MP12C	17.5	XAHB36D	575	8.3	7.1		26.80	5.5				3.76	
HMH72B241S	TM8V080B12MP12C	17.5	XAHB36D	825	21.4	16.0	16.00	9.50	21.0	14.2	8.50	6.70	3.08	2.34
HMH72B241S	TM8V080B12MP12C	17.5	XAHB36D	550	12.7	8.2		15.45						
HMH72B241S	TM8V080B12MP12C	17.5	XAHB36D	550	8.3	7.0		29.00	5.5				3.88	
HMH72B241S	TPLC080B12MP13C	17.5	XAHB36D	825	21.4	16.0	16.00	9.50	21.0	14.2	8.50	6.70	3.08	2.34
HMH72B241S	TPLC080B12MP13C	17.5	XAHB36D	550	12.7	8.2		15.45						
HMH72B241S	TPLC080B12MP13C	17.5	XAHB36D	550	8.3	7.0		29.00	5.5				3.88	
HMH72B241S	YPLC080B12MP13C	17.5	XAHB36D	825	21.4	16.0	16.00	9.50	21.0	14.2	8.50	6.70	3.08	2.34
HMH72B241S	YPLC080B12MP13C	17.5	XAHB36D	550	12.7	8.2		15.45						
HMH72B241S	YPLC080B12MP13C	17.5	XAHB36D	550	8.3	7.0		29.00	5.5				3.88	
HMH72B241S	TM8E040A12MP11	17.5	XAHB36D	825	21.6	16.2	16.25	9.75	21.0	14.1	8.50	6.70	3.10	2.36
HMH72B241S	TM8E040A12MP11	17.5	XAHB36D	675	13.0	9.5		15.70						
HMH72B241S	TM8E040A12MP11	17.5	XAHB36D	675	8.5	7.5		28.70	5.7				3.80	
HMH72B241S	TMLE040A12MP11	17.5	XAHB36D	825	21.6	16.2	16.25	9.75	21.0	14.1	8.50	6.70	3.10	2.36
HMH72B241S	TMLE040A12MP11	17.5	XAHB36D	675	13.0	9.5		15.70						
HMH72B241S	TMLE040A12MP11	17.5	XAHB36D	675	8.5	7.5		28.70	5.7				3.80	
HMH72B241S	TL9E060B12UH11	17.5	XAHB36D	825	21.4	16.0	15.75	9.75	21.0	14.2	8.50	6.15	3.06	2.34
HMH72B241S	TL9E060B12UH11	17.5	XAHB36D	625	12.9	9.0		15.30						
HMH72B241S	TL9E060B12UH11	17.5	XAHB36D	625	8.4	7.3		27.50	5.6				3.76	
HMH72B601S	TM9V100C20MP12C	24.5	XAHD60J	1600	56.0	37.6	15.75	8.00	56.5	36.2	9.00	7.15	3.10	2.40
HMH72B601S	TM9V100C20MP12C	24.5	XAHD60J	975	32.2	16.7		15.40						
HMH72B601S	TM9V100C20MP12C	24.5	XAHD60J	975	19.1	16.2		33.10	17.3				4.30	
HMH72B601S	TP9C100C20MP13C	24.5	XAHD60J	1600	56.0	37.6	15.75	8.00	56.5	36.2	9.00	7.15	3.10	2.40
HMH72B601S	TP9C100C20MP13C	24.5	XAHD60J	975	32.2	16.7		15.40						
HMH72B601S	TP9C100C20MP13C	24.5	XAHD60J	975	19.1	16.2		33.10	17.3				4.30	
HMH72B601S	YP9C100C20MP13C	24.5	XAHD60J	1600	56.0	37.6	15.75	8.00	56.5	36.2	9.00	7.15	3.10	2.40
HMH72B601S	YP9C100C20MP13C	24.5	XAHD60J	975	32.2	16.7		15.40						
HMH72B601S	YP9C100C20MP13C	24.5	XAHD60J	975	19.1	16.2		33.10	17.3				4.30	
HMH72B601S	TM8Y100C16MP11	24.5	XAHD60J	1525	55.5	36.8	16.00	8.00	56.0	35.8	9.00	7.30	3.10	2.38
HMH72B601S	TM8Y100C16MP11	24.5	XAHD60J	1050	32.8	17.8		15.60						
HMH72B601S	TM8Y100C16MP11	24.5	XAHD60J	1050	19.4	16.9		33.55	17.4				4.36	
HMH72B601S	TM8Y080C16MP11	24.5	XAHD60J	1525	55.5	36.8	16.00	8.00	56.0	35.8	9.00	7.30	3.10	2.38
HMH72B601S	TM8Y080C16MP11	24.5	XAHD60J	1050	32.8	17.8		15.60						
HMH72B601S	TM8Y080C16MP11	24.5	XAHD60J	1050	19.4	16.9		33.55	17.4				4.36	
HMH72B601S	TM8E100C20MP11	24.5	XAHD60J	1500	55.5	36.6	16.00	8.25	55.5	35.6	9.00	7.20	3.12	2.40
HMH72B601S	TM8E100C20MP11	24.5	XAHD60J	1250	33.6	20.4		15.40						
HMH72B601S	TM8E100C20MP11	24.5	XAHD60J	1250	20.2	19.0		30.45	18.1				4.32	
HMH72B601S	TMLE100C20MP11	24.5	XAHD60J	1500	55.5	36.6	16.00	8.25	55.5	35.6	9.00	7.20	3.12	2.40
HMH72B601S	TMLE100C20MP11	24.5	XAHD60J	1250	33.6	20.4		15.40						
HMH72B601S	TMLE100C20MP11	24.5	XAHD60J	1250	20.2	19.0		30.45	18.1				4.32	
HMH72B601S	TL8E100C20UH11	24.5	XAHD60J	1575	56.0	37.4	16.25	8.25	56.0	35.8	9.00	7.15	3.14	2.42
HMH72B601S	TL8E100C20UH11	24.5	XAHD60J	1100	33.0	18.4		15.65						
HMH72B601S	TL8E100C20UH11	24.5	XAHD60J	1100	19.7	17.5		33.60	17.5				4.40	
HMH72B481S	TM9Y120D20MP11	24.5	XAHD60J	1550	46.5	34.0	17.75	9.50	46.0	30.0	9.00	7.25	3.36	2.44
HMH72B481S	TM9Y120D20MP11	24.5	XAHD60J	1025	28.0	17.9		16.90						
HMH72B481S	TM9Y120D20MP11	24.5	XAHD60J	1025	16.3	14.8		33.30	16.9				4.24	
HMH72B481S	TM9Y100C16MP11	24.5	XAHD60J	1375	45.5	32.0	17.00	9.50	45.5	29.6	8.50	6.70	3.26	2.40
HMH72B481S	TM9Y100C16MP11	24.5	XAHD60J	1025	27.8	17.8		16.45						
HMH72B481S	TM9Y100C16MP11	24.5	XAHD60J	1025	16.2	14.9		30.75	17.1				4.16	
HMH72B481S	TM9Y080C16MP11	24.5	XAHD60J	1375	45.5	32.0	17.00	9.25	45.5	29.6	8.50	6.65	3.26	2.40

**Table 6: System capacity - with high efficiency motor furnaces**

Unit model	Furnace		Coil model	Rated CFM	Cooling				Heating					
	Model	Width			Net MBH		SEER	EER	Net MBH		HSPF	HSPF region V	COP	
					Total	Sens.			47°F OD	17°F OD			47°F OD	17°F OD
HMH72B481S	TM9Y080C16MP11	24.5	XAHD60J	725	26.4	13.8		16.35						
HMH72B481S	TM9Y080C16MP11	24.5	XAHD60J	725	15.7	12.7		33.80	16.1				3.90	
HMH72B481S	TM9V100C20MP12C	24.5	XAHD60J	1600	46.5	34.2	17.25	9.25	46.5	30.4	9.00	7.15	3.36	2.42
HMH72B481S	TM9V100C20MP12C	24.5	XAHD60J	975	27.6	17.1		16.60						
HMH72B481S	TM9V100C20MP12C	24.5	XAHD60J	975	16.2	14.5		32.25	16.9				4.14	
HMH72B481S	TP9C100C20MP13C	24.5	XAHD60J	1600	46.5	34.2	17.25	9.25	46.5	30.4	9.00	7.15	3.36	2.42
HMH72B481S	TP9C100C20MP13C	24.5	XAHD60J	975	27.6	17.1		16.60						
HMH72B481S	TP9C100C20MP13C	24.5	XAHD60J	975	16.2	14.5		32.25	16.9				4.14	
HMH72B481S	YP9C100C20MP13C	24.5	XAHD60J	1600	46.5	34.2	17.25	9.25	46.5	30.4	9.00	7.15	3.36	2.42
HMH72B481S	YP9C100C20MP13C	24.5	XAHD60J	975	27.6	17.1		16.60						
HMH72B481S	YP9C100C20MP13C	24.5	XAHD60J	975	16.2	14.5		32.25	16.9				4.14	
HMH72B481S	TM9V100C16MP12C	24.5	XAHD60J	1625	46.5	34.4	17.00	9.25	47.0	30.4	9.00	7.05	3.36	2.42
HMH72B481S	TM9V100C16MP12C	24.5	XAHD60J	1100	28.2	18.8		16.50						
HMH72B481S	TM9V100C16MP12C	24.5	XAHD60J	1100	16.3	15.4		30.00	17.3				4.22	
HMH72B481S	TP9C100C16MP13C	24.5	XAHD60J	1625	46.5	34.4	17.00	9.25	47.0	30.4	9.00	7.05	3.36	2.42
HMH72B481S	TP9C100C16MP13C	24.5	XAHD60J	1100	28.2	18.8		16.50						
HMH72B481S	TP9C100C16MP13C	24.5	XAHD60J	1100	16.3	15.4		30.00	17.3				4.22	
HMH72B481S	YP9C100C16MP13C	24.5	XAHD60J	1625	46.5	34.4	17.00	9.25	47.0	30.4	9.00	7.05	3.36	2.42
HMH72B481S	YP9C100C16MP13C	24.5	XAHD60J	1100	28.2	18.8		16.50						
HMH72B481S	YP9C100C16MP13C	24.5	XAHD60J	1100	16.3	15.4		30.00	17.3				4.22	
HMH72B481S	TM9V080C16MP12C	24.5	XAHD60J	1475	46.0	33.0	17.00	9.25	46.0	30.0	8.75	7.00	3.28	2.40
HMH72B481S	TM9V080C16MP12C	24.5	XAHD60J	950	27.4	16.7		16.35						
HMH72B481S	TM9V080C16MP12C	24.5	XAHD60J	950	16.1	14.4		31.05	16.8				4.08	
HMH72B481S	TP9C080C16MP13C	24.5	XAHD60J	1475	46.0	33.0	17.00	9.25	46.0	30.0	8.75	7.00	3.28	2.40
HMH72B481S	TP9C080C16MP13C	24.5	XAHD60J	950	27.4	16.7		16.35						
HMH72B481S	TP9C080C16MP13C	24.5	XAHD60J	950	16.1	14.4		31.05	16.8				4.08	
HMH72B481S	YP9C080C16MP13C	24.5	XAHD60J	1475	46.0	33.0	17.00	9.25	46.0	30.0	8.75	7.00	3.28	2.40
HMH72B481S	YP9C080C16MP13C	24.5	XAHD60J	950	27.4	16.7		16.35						
HMH72B481S	YP9C080C16MP13C	24.5	XAHD60J	950	16.1	14.4		31.05	16.8				4.08	
HMH72B481S	TM9V080C16MP12C	21.0	XAHC60H	1475	46.5	32.0	16.75	9.25	47.0	30.0	8.50	6.65	3.24	2.38
HMH72B481S	TM9V080C16MP12C	21.0	XAHC60H	950	27.4	16.1		16.40						
HMH72B481S	TM9V080C16MP12C	21.0	XAHC60H	950	16.0	14.2		30.85	16.9				4.08	
HMH72B481S	TP9C080C16MP13C	21.0	XAHC60H	1475	46.5	32.0	16.75	9.25	47.0	30.0	8.50	6.65	3.24	2.38
HMH72B481S	TP9C080C16MP13C	21.0	XAHC60H	950	27.4	16.1		16.40						
HMH72B481S	TP9C080C16MP13C	21.0	XAHC60H	950	16.0	14.2		30.85	16.9				4.08	
HMH72B481S	YP9C080C16MP13C	21.0	XAHC60H	1475	46.5	32.0	16.75	9.25	47.0	30.0	8.50	6.65	3.24	2.38
HMH72B481S	YP9C080C16MP13C	21.0	XAHC60H	950	27.4	16.1		16.40						
HMH72B481S	YP9C080C16MP13C	21.0	XAHC60H	950	16.0	14.2		30.85	16.9				4.08	
HMH72B481S	TM8Y120C20MP11	24.5	XAHD60J	1525	46.5	33.8	17.50	9.50	46.0	29.2	9.00	7.15	3.36	2.42
HMH72B481S	TM8Y120C20MP11	24.5	XAHD60J	1050	28.0	18.1		16.85						
HMH72B481S	TM8Y120C20MP11	24.5	XAHD60J	1050	16.3	15.0		32.60	17.4				4.36	
HMH72B481S	TM8Y100C20MP11	24.5	XAHD60J	1525	46.5	33.8	17.50	9.50	46.0	29.2	9.00	7.15	3.36	2.42
HMH72B481S	TM8Y100C20MP11	24.5	XAHD60J	1050	28.0	18.1		16.85						
HMH72B481S	TM8Y100C20MP11	24.5	XAHD60J	1050	16.3	15.0		32.60	17.4				4.36	
HMH72B481S	TM8Y120C20MP11	21.0	XAHC60H	1475	47.0	32.6	17.50	9.75	47.0	29.0	8.50	6.70	3.26	2.38
HMH72B481S	TM8Y120C20MP11	21.0	XAHC60H	1050	28.0	17.3		16.90						
HMH72B481S	TM8Y120C20MP11	21.0	XAHC60H	1050	16.3	14.9		32.30	17.4				4.36	
HMH72B481S	TM8Y100C20MP11	21.0	XAHC60H	1475	47.0	32.6	17.50	9.75	47.0	29.0	8.50	6.70	3.26	2.38
HMH72B481S	TM8Y100C20MP11	21.0	XAHC60H	1050	28.0	17.3		16.90						
HMH72B481S	TM8Y100C20MP11	21.0	XAHC60H	1050	16.3	14.9		32.30	17.4				4.36	
HMH72B481S	TM8V120C20MP12C	24.5	XAHD60J	1425	46.0	32.8	17.75	9.75	45.5	28.8	9.00	7.25	3.32	2.42
HMH72B481S	TM8V120C20MP12C	24.5	XAHD60J	975	27.6	17.0		16.80						

**Table 6: System capacity - with high efficiency motor furnaces**

Unit model	Furnace		Coil model	Rated CFM	Cooling				Heating					
	Model	Width			Net MBH		SEER	EER	Net MBH		HSPF	HSPF region V	COP	
					Total	Sens.			47°F OD	17°F OD			47°F OD	17°F OD
HMH72B481S	TM8V120C20MP12C	24.5	XAHD60J	975	16.2	14.5		33.45	17.1				4.30	
HMH72B481S	TM8V100C20MP12C	24.5	XAHD60J	1425	46.0	32.8	17.75	9.75	45.5	28.8	9.00	7.25	3.32	2.42
HMH72B481S	TM8V100C20MP12C	24.5	XAHD60J	975	27.6	17.0		16.80						
HMH72B481S	TM8V100C20MP12C	24.5	XAHD60J	975	16.2	14.5		33.45	17.1				4.30	
HMH72B481S	TMLV120C20MP12C	24.5	XAHD60J	1425	46.0	32.8	17.75	9.75	45.5	28.8	9.00	7.25	3.32	2.42
HMH72B481S	TMLV120C20MP12C	24.5	XAHD60J	975	27.6	17.0		16.80						
HMH72B481S	TMLV120C20MP12C	24.5	XAHD60J	975	16.2	14.5		33.45	17.1				4.30	
HMH72B481S	TPLC100C20MP13C	24.5	XAHD60J	1425	46.0	32.8	17.75	9.75	45.5	28.8	9.00	7.25	3.32	2.42
HMH72B481S	TPLC100C20MP13C	24.5	XAHD60J	975	27.6	17.0		16.80						
HMH72B481S	TPLC100C20MP13C	24.5	XAHD60J	975	16.2	14.5		33.45	17.1				4.30	
HMH72B481S	TPLC120C20MP13C	24.5	XAHD60J	1425	46.0	32.8	17.75	9.75	45.5	28.8	9.00	7.25	3.32	2.42
HMH72B481S	TPLC120C20MP13C	24.5	XAHD60J	975	27.6	17.0		16.80						
HMH72B481S	TPLC120C20MP13C	24.5	XAHD60J	975	16.2	14.5		33.45	17.1				4.30	
HMH72B481S	YPLC100C20MP13C	24.5	XAHD60J	1425	46.0	32.8	17.75	9.75	45.5	28.8	9.00	7.25	3.32	2.42
HMH72B481S	YPLC100C20MP13C	24.5	XAHD60J	975	27.6	17.0		16.80						
HMH72B481S	YPLC100C20MP13C	24.5	XAHD60J	975	16.2	14.5		33.45	17.1				4.30	
HMH72B481S	YPLC120C20MP13C	24.5	XAHD60J	1425	46.0	32.8	17.75	9.75	45.5	28.8	9.00	7.25	3.32	2.42
HMH72B481S	YPLC120C20MP13C	24.5	XAHD60J	975	27.6	17.0		16.80						
HMH72B481S	YPLC120C20MP13C	24.5	XAHD60J	975	16.2	14.5		33.45	17.1				4.30	
HMH72B481S	TM8V100C16MP12C	21.0	XAHC60H	1450	47.0	32.4	17.25	9.50	46.5	29.0	8.50	6.75	3.24	2.38
HMH72B481S	TM8V100C16MP12C	21.0	XAHC60H	975	27.6	16.4		16.55						
HMH72B481S	TM8V100C16MP12C	21.0	XAHC60H	975	16.1	14.4		31.35	17.2				4.24	
HMH72B481S	TM8V080C16MP12C	21.0	XAHC60H	1450	47.0	32.4	17.25	9.50	46.5	29.0	8.50	6.75	3.24	2.38
HMH72B481S	TM8V080C16MP12C	21.0	XAHC60H	975	27.6	16.4		16.55						
HMH72B481S	TM8V080C16MP12C	21.0	XAHC60H	975	16.1	14.4		31.35	17.2				4.24	
HMH72B481S	TMLV100C16MP12C	21.0	XAHC60H	1450	47.0	32.4	17.25	9.50	46.5	29.0	8.50	6.75	3.24	2.38
HMH72B481S	TMLV100C16MP12C	21.0	XAHC60H	975	27.6	16.4		16.55						
HMH72B481S	TMLV100C16MP12C	21.0	XAHC60H	975	16.1	14.4		31.35	17.2				4.24	
HMH72B481S	TPLC080C16MP13C	21.0	XAHC60H	1450	47.0	32.4	17.25	9.50	46.5	29.0	8.50	6.75	3.24	2.38
HMH72B481S	TPLC080C16MP13C	21.0	XAHC60H	975	27.6	16.4		16.55						
HMH72B481S	TPLC080C16MP13C	21.0	XAHC60H	975	16.1	14.4		31.35	17.2				4.24	
HMH72B481S	TPLC100C16MP13C	21.0	XAHC60H	1450	47.0	32.4	17.25	9.50	46.5	29.0	8.50	6.75	3.24	2.38
HMH72B481S	TPLC100C16MP13C	21.0	XAHC60H	975	27.6	16.4		16.55						
HMH72B481S	TPLC100C16MP13C	21.0	XAHC60H	975	16.1	14.4		31.35	17.2				4.24	
HMH72B481S	YPLC080C16MP13C	21.0	XAHC60H	1450	47.0	32.4	17.25	9.50	46.5	29.0	8.50	6.75	3.24	2.38
HMH72B481S	YPLC080C16MP13C	21.0	XAHC60H	975	27.6	16.4		16.55						
HMH72B481S	YPLC080C16MP13C	21.0	XAHC60H	975	16.1	14.4		31.35	17.2				4.24	
HMH72B481S	YPLC100C16MP13C	21.0	XAHC60H	1450	47.0	32.4	17.25	9.50	46.5	29.0	8.50	6.75	3.24	2.38
HMH72B481S	YPLC100C16MP13C	21.0	XAHC60H	975	27.6	16.4		16.55						
HMH72B481S	YPLC100C16MP13C	21.0	XAHC60H	975	16.1	14.4		31.35	17.2				4.24	
HMH72B481S	TM8E120C16MP11	24.5	XAHD60J	1575	46.5	34.2	17.50	9.50	46.5	29.6	9.00	7.05	3.34	2.40
HMH72B481S	TM8E120C16MP11	24.5	XAHD60J	900	27.4	16.2		16.85						
HMH72B481S	TM8E120C16MP11	24.5	XAHD60J	900	16.1	14.0		34.70	16.8				4.24	
HMH72B481S	TMLE120C16MP11	24.5	XAHD60J	1575	46.5	34.2	17.50	9.50	46.5	29.6	9.00	7.05	3.34	2.40
HMH72B481S	TMLE120C16MP11	24.5	XAHD60J	900	27.4	16.2		16.85						
HMH72B481S	TMLE120C16MP11	24.5	XAHD60J	900	16.1	14.0		34.70	16.8				4.24	
HMH72B481S	TM8E120C16MP11	21.0	XAHC60H	1525	47.0	32.8	17.50	9.50	47.0	29.4	8.50	6.80	3.26	2.38
HMH72B481S	TM8E120C16MP11	21.0	XAHC60H	900	27.4	15.6		16.95						
HMH72B481S	TM8E120C16MP11	21.0	XAHC60H	900	16.1	13.8		34.75	16.9				4.24	
HMH72B481S	TMLE120C16MP11	21.0	XAHC60H	1525	47.0	32.8	17.50	9.50	47.0	29.4	8.50	6.80	3.26	2.38
HMH72B481S	TMLE120C16MP11	21.0	XAHC60H	900	27.4	15.6		16.95						
HMH72B481S	TMLE120C16MP11	21.0	XAHC60H	900	16.1	13.8		34.75	16.9				4.24	

**Table 6: System capacity - with high efficiency motor furnaces**

Unit model	Furnace		Coil model	Rated CFM	Cooling				Heating					
	Model	Width			Net MBH		SEER	EER	Net MBH		HSPF	HSPF region V	COP	
					Total	Sens.			47°F OD	17°F OD			47°F OD	17°F OD
HMH72B481S	TM8E080C16MP11	24.5	XAHD60J	1550	46.5	34.0	17.50	9.25	46.5	29.6	9.00	7.15	3.32	2.40
HMH72B481S	TM8E080C16MP11	24.5	XAHD60J	900	27.4	16.2		16.80						
HMH72B481S	TM8E080C16MP11	24.5	XAHD60J	900	16.1	14.0		34.45	16.9				4.24	
HMH72B481S	TMLE080C16MP11	24.5	XAHD60J	1550	46.5	34.0	17.50	9.25	46.5	29.6	9.00	7.15	3.32	2.40
HMH72B481S	TMLE080C16MP11	24.5	XAHD60J	900	27.4	16.2		16.80						
HMH72B481S	TMLE080C16MP11	24.5	XAHD60J	900	16.1	14.0		34.45	16.9				4.24	
HMH72B481S	TL9E080C16UH11	24.5	XAHD60J	1375	45.5	32.0	17.25	9.50	45.5	29.0	8.50	6.80	3.24	2.38
HMH72B481S	TL9E080C16UH11	24.5	XAHD60J	950	27.4	16.7		16.55						
HMH72B481S	TL9E080C16UH11	24.5	XAHD60J	950	16.1	14.3		32.10	17.1				4.22	
HMH72B481S	TL8E100C20UH11	24.5	XAHD60J	1575	46.5	34.2	17.50	9.50	46.5	29.4	9.00	7.20	3.36	2.42
HMH72B481S	TL8E100C20UH11	24.5	XAHD60J	1100	28.2	18.7		16.85						
HMH72B481S	TL8E100C20UH11	24.5	XAHD60J	1100	16.4	15.4		32.15	17.5				4.40	
HMH72B481S	TL8E100C20UH11	21.0	XAHC60H	1525	47.5	33.2	17.50	9.75	47.0	29.2	8.50	6.65	3.28	2.40
HMH72B481S	TL8E100C20UH11	21.0	XAHC60H	1075	28.2	17.7		16.85						
HMH72B481S	TL8E100C20UH11	21.0	XAHC60H	1075	16.4	15.2		31.65	17.5				4.36	
HMH72B361S	TM9Y080B12MP11	17.5	XAHB36D	1100	34.0	23.8	16.00	8.50	35.2	24.4	9.50	7.40	3.16	2.48
HMH72B361S	TM9Y080B12MP11	17.5	XAHB36D	700	21.0	11.6		15.35						
HMH72B361S	TM9Y080B12MP11	17.5	XAHB36D	700	13.8	11.2		29.65	9.8				4.34	
HMH72B361S	TM9Y060B12MP11	21.0	XAHC36D	1100	34.0	23.8	16.00	8.50	35.2	24.4	9.50	7.40	3.16	2.48
HMH72B361S	TM9Y060B12MP11	21.0	XAHC36D	700	21.0	11.6		15.30						
HMH72B361S	TM9Y060B12MP11	21.0	XAHC36D	700	13.8	11.2		29.50	9.8				4.34	
HMH72B361S	TM9Y060B12MP11	17.5	XAHB36D	900	33.4	22.2	16.00	8.75	34.2	23.8	9.50	7.30	3.06	2.46
HMH72B361S	TM9Y060B12MP11	17.5	XAHB36D	675	20.8	11.2		15.15						
HMH72B361S	TM9Y060B12MP11	17.5	XAHB36D	675	13.7	11.0		29.00	9.7				4.28	
HMH72B361S	TM9V100C16MP12C	21.0	XAHC36D	1275	35.2	25.8	16.25	8.75	35.8	24.6	9.50	7.30	3.34	2.58
HMH72B361S	TM9V100C16MP12C	21.0	XAHC36D	875	21.8	13.6		15.65						
HMH72B361S	TM9V100C16MP12C	21.0	XAHC36D	875	14.3	12.9		29.05	10.0				4.52	
HMH72B361S	TP9C100C16MP13C	21.0	XAHC36D	1275	35.2	25.8	16.25	8.75	35.8	24.6	9.50	7.30	3.34	2.58
HMH72B361S	TP9C100C16MP13C	21.0	XAHC36D	875	21.8	13.6		15.65						
HMH72B361S	TP9C100C16MP13C	21.0	XAHC36D	875	14.3	12.9		29.05	10.0				4.52	
HMH72B361S	YP9C100C16MP13C	21.0	XAHC36D	1275	35.2	25.8	16.25	8.75	35.8	24.6	9.50	7.30	3.34	2.58
HMH72B361S	YP9C100C16MP13C	21.0	XAHC36D	875	21.8	13.6		15.65						
HMH72B361S	YP9C100C16MP13C	21.0	XAHC36D	875	14.3	12.9		29.05	10.0				4.52	
HMH72B361S	TM9V080B12MP12C	21.0	XAHC36D	1175	34.4	24.4	16.00	8.50	35.4	24.6	9.50	7.05	3.22	2.52
HMH72B361S	TM9V080B12MP12C	21.0	XAHC36D	775	21.4	12.5		15.40						
HMH72B361S	TM9V080B12MP12C	21.0	XAHC36D	775	14.0	11.9		29.05	9.9				4.44	
HMH72B361S	TP9C080B12MP13C	21.0	XAHC36D	1175	34.4	24.4	16.00	8.50	35.4	24.6	9.50	7.05	3.22	2.52
HMH72B361S	TP9C080B12MP13C	21.0	XAHC36D	775	21.4	12.5		15.40						
HMH72B361S	TP9C080B12MP13C	21.0	XAHC36D	775	14.0	11.9		29.05	9.9				4.44	
HMH72B361S	YP9C080B12MP13C	21.0	XAHC36D	1175	34.4	24.4	16.00	8.50	35.4	24.6	9.50	7.05	3.22	2.52
HMH72B361S	YP9C080B12MP13C	21.0	XAHC36D	775	21.4	12.5		15.40						
HMH72B361S	YP9C080B12MP13C	21.0	XAHC36D	775	14.0	11.9		29.05	9.9				4.44	
HMH72B361S	TM9V060B12MP12C	17.5	XAHB36D	1125	34.0	23.8	15.75	8.50	35.4	24.6	9.50	7.25	3.16	2.48
HMH72B361S	TM9V060B12MP12C	17.5	XAHB36D	700	21.0	11.6		15.10						
HMH72B361S	TM9V060B12MP12C	17.5	XAHB36D	700	13.8	11.2		28.40	9.8				4.32	
HMH72B361S	TP9C060B12MP13C	17.5	XAHB36D	1125	34.0	23.8	15.75	8.50	35.4	24.6	9.50	7.25	3.16	2.48
HMH72B361S	TP9C060B12MP13C	17.5	XAHB36D	700	21.0	11.6		15.10						
HMH72B361S	TP9C060B12MP13C	17.5	XAHB36D	700	13.8	11.2		28.40	9.8				4.32	
HMH72B361S	YP9C060B12MP13C	17.5	XAHB36D	1125	34.0	23.8	15.75	8.50	35.4	24.6	9.50	7.25	3.16	2.48
HMH72B361S	YP9C060B12MP13C	17.5	XAHB36D	700	21.0	11.6		15.10						
HMH72B361S	YP9C060B12MP13C	17.5	XAHB36D	700	13.8	11.2		28.40	9.8				4.32	
HMH72B361S	TM9E100C16MP12	21.0	XAHC36D	1225	34.8	25.0	16.50	8.75	35.6	24.6	9.50	7.55	3.28	2.54



**Table 6: System capacity - with high efficiency motor furnaces**

Unit model	Furnace		Coil model	Rated CFM	Cooling			Heating						
	Model	Width			Net MBH		SEER	EER	Net MBH		HSPF	HSPF region V	COP	
					Total	Sens.			47°F OD	17°F OD			47°F OD	17°F OD
HMH72B361S	TM9E100C16MP12	21.0	XAHC36D	800	21.6	12.8		15.75						
HMH72B361S	TM9E100C16MP12	21.0	XAHC36D	800	14.1	12.1		30.35	9.9				4.46	
HMH72B361S	TM9E080B12MP12	21.0	XAHC36D	1200	34.6	24.8	16.00	8.50	35.6	24.8	9.50	7.25	3.22	2.50
HMH72B361S	TM9E080B12MP12	21.0	XAHC36D	800	21.4	12.7		15.45						
HMH72B361S	TM9E080B12MP12	21.0	XAHC36D	800	14.1	12.2		28.80	10.0				4.36	
HMH72B361S	TM9E060B12MP12	21.0	XAHC36D	1050	34.0	23.6	16.00	8.50	35.0	24.2	9.50	7.65	3.14	2.48
HMH72B361S	TM9E060B12MP12	21.0	XAHC36D	750	21.2	12.2		15.20						
HMH72B361S	TM9E060B12MP12	21.0	XAHC36D	750	13.9	11.7		28.40	9.9				4.28	
HMH72B361S	TM9E060B12MP12	17.5	XAHB36D	1025	33.8	23.2	15.75	8.50	34.8	24.2	9.50	7.40	3.12	2.46
HMH72B361S	TM9E060B12MP12	17.5	XAHB36D	725	21.0	11.8		15.05						
HMH72B361S	TM9E060B12MP12	17.5	XAHB36D	725	13.8	11.4		27.90	9.9				4.24	
HMH72B361S	TM8Y120C20MP11	21.0	XAHC36D	1150	34.8	24.8	16.25	9.00	35.0	24.2	9.50	7.30	3.28	2.56
HMH72B361S	TM8Y120C20MP11	21.0	XAHC36D	975	22.4	14.9		15.75						
HMH72B361S	TM8Y120C20MP11	21.0	XAHC36D	975	14.5	13.7		28.40	10.3				4.48	
HMH72B361S	TM8Y080B12MP11	21.0	XAHC36D	1150	34.4	24.4	16.25	8.75	35.2	24.4	9.50	6.90	3.22	2.52
HMH72B361S	TM8Y080B12MP11	21.0	XAHC36D	700	21.0	11.5		15.60						
HMH72B361S	TM8Y080B12MP11	21.0	XAHC36D	700	13.9	11.2		30.95	9.7				4.46	
HMH72B361S	TM8V080B12MP12C	21.0	XAHC36D	1125	34.0	23.8	15.75	8.50	35.4	24.6	9.50	7.40	3.16	2.48
HMH72B361S	TM8V080B12MP12C	21.0	XAHC36D	725	21.0	11.8		15.15						
HMH72B361S	TM8V080B12MP12C	21.0	XAHC36D	725	13.8	11.4		28.30	9.8				4.34	
HMH72B361S	TPLC080B12MP13C	21.0	XAHC36D	1125	34.0	23.8	15.75	8.50	35.4	24.6	9.50	7.40	3.16	2.48
HMH72B361S	TPLC080B12MP13C	21.0	XAHC36D	725	21.0	11.8		15.15						
HMH72B361S	TPLC080B12MP13C	21.0	XAHC36D	725	13.8	11.4		28.30	9.8				4.34	
HMH72B361S	YPLC080B12MP13C	21.0	XAHC36D	1125	34.0	23.8	15.75	8.50	35.4	24.6	9.50	7.40	3.16	2.48
HMH72B361S	YPLC080B12MP13C	21.0	XAHC36D	725	21.0	11.8		15.15						
HMH72B361S	YPLC080B12MP13C	21.0	XAHC36D	725	13.8	11.4		28.30	9.8				4.34	
HMH72B361S	TM8E120C16MP11	21.0	XAHC36D	1250	35.0	25.4	16.50	9.00	35.6	24.6	9.50	7.30	3.32	2.56
HMH72B361S	TM8E120C16MP11	21.0	XAHC36D	800	21.6	12.8		15.75						
HMH72B361S	TM8E120C16MP11	21.0	XAHC36D	800	14.1	12.1		30.50	9.9				4.50	
HMH72B361S	TMLE120C16MP11	21.0	XAHC36D	1250	35.0	25.4	16.50	9.00	35.6	24.6	9.50	7.30	3.32	2.56
HMH72B361S	TMLE120C16MP11	21.0	XAHC36D	800	21.6	12.8		15.75						
HMH72B361S	TMLE120C16MP11	21.0	XAHC36D	800	14.1	12.1		30.50	9.9				4.50	
HMH72B361S	TM8E100C16MP11	21.0	XAHC36D	1250	35.0	25.4	16.50	9.00	35.6	24.6	9.50	7.30	3.32	2.56
HMH72B361S	TM8E100C16MP11	21.0	XAHC36D	800	21.6	12.8		15.80						
HMH72B361S	TM8E100C16MP11	21.0	XAHC36D	800	14.1	12.1		30.60	9.9				4.50	
HMH72B361S	TMLE100C16MP11	21.0	XAHC36D	1250	35.0	25.4	16.50	9.00	35.6	24.6	9.50	7.30	3.32	2.56
HMH72B361S	TMLE100C16MP11	21.0	XAHC36D	800	21.6	12.8		15.80						
HMH72B361S	TMLE100C16MP11	21.0	XAHC36D	800	14.1	12.1		30.60	9.9				4.50	
HMH72B361S	TM8E100B12MP11	17.5	XAHB36D	1150	34.4	24.4	16.25	8.50	35.4	24.6	9.50	7.40	3.20	2.50
HMH72B361S	TM8E100B12MP11	17.5	XAHB36D	725	21.2	11.9		15.55						
HMH72B361S	TM8E100B12MP11	17.5	XAHB36D	725	13.9	11.4		30.20	9.8				4.42	
HMH72B361S	TMLE100B12MP11	17.5	XAHB36D	1150	34.4	24.4	16.25	8.50	35.4	24.6	9.50	7.40	3.20	2.50
HMH72B361S	TMLE100B12MP11	17.5	XAHB36D	725	21.2	11.9		15.55						
HMH72B361S	TMLE100B12MP11	17.5	XAHB36D	725	13.9	11.4		30.20	9.8				4.42	
HMH72B361S	TM8E080B12MP11	17.5	XAHB36D	1150	34.2	24.2	16.00	8.50	35.0	24.6	9.50	7.40	3.18	2.48
HMH72B361S	TM8E080B12MP11	17.5	XAHB36D	725	21.2	11.9		15.45						
HMH72B361S	TM8E080B12MP11	17.5	XAHB36D	725	13.9	11.4		29.65	9.8				4.36	
HMH72B361S	TMLE080B12MP11	17.5	XAHB36D	1150	34.2	24.2	16.00	8.50	35.0	24.6	9.50	7.40	3.18	2.48
HMH72B361S	TMLE080B12MP11	17.5	XAHB36D	725	21.2	11.9		15.45						
HMH72B361S	TMLE080B12MP11	17.5	XAHB36D	725	13.9	11.4		29.65	9.8				4.36	
HMH72B361S	TM8E060A12MP11	17.5	XAHB36D	1175	34.4	24.4	16.00	8.50	35.6	24.6	9.50	7.25	3.20	2.50
HMH72B361S	TM8E060A12MP11	17.5	XAHB36D	750	21.2	12.1		15.45						

**Table 6: System capacity - with high efficiency motor furnaces**

Unit model	Furnace		Coil model	Rated CFM	Cooling				Heating					
	Model	Width			Net MBH		SEER	EER	Net MBH		HSPF	HSPF region V	COP	
					Total	Sens.			47°F OD	17°F OD			47°F OD	17°F OD
HMH72B361S	TM8E060A12MP11	17.5	XAHB36D	750	14.0	11.7		29.50	9.8				4.38	
HMH72B361S	TMLE060A12MP11	17.5	XAHB36D	1175	34.4	24.4	16.00	8.50	35.6	24.6	9.50	7.25	3.20	2.50
HMH72B361S	TMLE060A12MP11	17.5	XAHB36D	750	21.2	12.1		15.45						
HMH72B361S	TMLE060A12MP11	17.5	XAHB36D	750	14.0	11.7		29.50	9.8				4.38	
HMH72B361S	TL8E080C16UH11	21.0	XAHC36D	1200	34.8	25.0	16.25	8.75	35.4	24.4	9.50	6.90	3.28	2.54
HMH72B361S	TL8E080C16UH11	21.0	XAHC36D	925	22.0	14.2		15.60						
HMH72B361S	TL8E080C16UH11	21.0	XAHC36D	925	14.4	13.3		28.20	10.2				4.42	
HMH72B361S	TL8E060A12UH11	17.5	XAHB36D	1150	34.2	24.2	16.00	8.50	35.4	24.6	9.50	7.40	3.18	2.48
HMH72B361S	TL8E060A12UH11	17.5	XAHB36D	650	20.8	11.0		15.40						
HMH72B361S	TL8E060A12UH11	17.5	XAHB36D	650	13.8	10.8		30.55	9.6				4.34	
HMH72B241S	TM9Y060B12MP11	21.0	XAHC36D	850	21.6	16.3	15.75	9.75	21.0	14.2	8.50	6.80	3.10	2.36
HMH72B241S	TM9Y060B12MP11	21.0	XAHC36D	675	13.0	9.5		15.30						
HMH72B241S	TM9Y060B12MP11	21.0	XAHC36D	675	8.4	7.5		26.85	5.7				3.76	
HMH72B241S	TM9Y060B12MP11	17.5	XAHB36D	825	21.4	16.0	15.75	9.50	21.0	14.2	8.50	6.15	3.06	2.34
HMH72B241S	TM9Y060B12MP11	17.5	XAHB36D	675	13.0	9.5		15.20						
HMH72B241S	TM9Y060B12MP11	17.5	XAHB36D	675	8.4	7.5		26.60	5.7				3.72	
HMH72B241S	TM9Y040A10MP11	17.5	XAHB36D	775	21.0	15.4	15.50	9.25	21.0	14.3	8.50	6.60	2.94	2.26
HMH72B241S	TM9Y040A10MP11	17.5	XAHB36D	525	12.6	8.0		15.05						
HMH72B241S	TM9Y040A10MP11	17.5	XAHB36D	525	8.2	6.9		27.35	5.5				3.70	
HMH72B241S	TM9V080B12MP12C	21.0	XAHC36D	850	21.6	16.3	16.50	9.75	21.0	14.1	9.00	6.95	3.14	2.38
HMH72B241S	TM9V080B12MP12C	21.0	XAHC36D	600	12.9	8.8		15.75						
HMH72B241S	TM9V080B12MP12C	21.0	XAHC36D	600	8.4	7.2		29.85	5.5				3.96	
HMH72B241S	TP9C080B12MP13C	21.0	XAHC36D	850	21.6	16.3	16.50	9.75	21.0	14.1	9.00	6.95	3.14	2.38
HMH72B241S	TP9C080B12MP13C	21.0	XAHC36D	600	12.9	8.8		15.75						
HMH72B241S	TP9C080B12MP13C	21.0	XAHC36D	600	8.4	7.2		29.85	5.5				3.96	
HMH72B241S	YP9C080B12MP13C	21.0	XAHC36D	850	21.6	16.3	16.50	9.75	21.0	14.1	9.00	6.95	3.14	2.38
HMH72B241S	YP9C080B12MP13C	21.0	XAHC36D	600	12.9	8.8		15.75						
HMH72B241S	YP9C080B12MP13C	21.0	XAHC36D	600	8.4	7.2		29.85	5.5				3.96	
HMH72B241S	TM9V080B12MP12C	17.5	XAHB36D	850	21.6	16.3	16.25	9.75	21.0	14.2	9.00	6.95	3.12	2.36
HMH72B241S	TM9V080B12MP12C	17.5	XAHB36D	600	12.9	8.8		15.60						
HMH72B241S	TM9V080B12MP12C	17.5	XAHB36D	600	8.4	7.2		29.15	5.5				3.92	
HMH72B241S	TP9C080B12MP13C	17.5	XAHB36D	850	21.6	16.3	16.25	9.75	21.0	14.2	9.00	6.95	3.12	2.36
HMH72B241S	TP9C080B12MP13C	17.5	XAHB36D	600	12.9	8.8		15.60						
HMH72B241S	TP9C080B12MP13C	17.5	XAHB36D	600	8.4	7.2		29.15	5.5				3.92	
HMH72B241S	YP9C080B12MP13C	17.5	XAHB36D	850	21.6	16.3	16.25	9.75	21.0	14.2	9.00	6.95	3.12	2.36
HMH72B241S	YP9C080B12MP13C	17.5	XAHB36D	600	12.9	8.8		15.60						
HMH72B241S	YP9C080B12MP13C	17.5	XAHB36D	600	8.4	7.2		29.15	5.5				3.92	
HMH72B241S	TM9E060A10MP12	17.5	XAHB36D	850	21.6	16.3	15.50	9.50	21.0	14.3	8.50	6.25	3.08	2.34
HMH72B241S	TM9E060A10MP12	17.5	XAHB36D	700	13.0	9.8		15.05						
HMH72B241S	TM9E060A10MP12	17.5	XAHB36D	700	8.4	7.6		25.60	5.8				3.68	
HMH72B241S	TM9E040A10MP12	17.5	XAHB36D	850	21.4	16.1	15.25	9.25	21.2	14.4	8.50	6.50	3.04	2.32
HMH72B241S	TM9E040A10MP12	17.5	XAHB36D	625	12.8	9.0		14.95						
HMH72B241S	TM9E040A10MP12	17.5	XAHB36D	625	8.3	7.3		25.85	5.7				3.64	
HMH72B241S	TM9E026A08MP12	17.5	XAHB36D	850	21.4	16.1	16.00	9.25	21.2	14.5	8.50	6.35	3.02	2.30
HMH72B241S	TM9E026A08MP12	17.5	XAHB36D	525	12.7	8.0		15.35						
HMH72B241S	TM9E026A08MP12	17.5	XAHB36D	525	8.2	6.8		28.75	5.5				3.78	
HMH72B241S	TM8Y080B12MP11	21.0	XAHC36D	825	21.6	16.2	16.25	10.00	21.0	14.0	9.00	6.80	3.12	2.38
HMH72B241S	TM8Y080B12MP11	21.0	XAHC36D	675	13.0	9.5		15.70						
HMH72B241S	TM8Y080B12MP11	21.0	XAHC36D	675	8.5	7.5		28.70	5.6				3.88	
HMH72B241S	TM8Y080B12MP11	17.5	XAHB36D	800	21.6	16.1	16.00	9.75	21.0	14.0	8.50	6.55	3.08	2.34
HMH72B241S	TM8Y080B12MP11	17.5	XAHB36D	650	13.0	9.3		15.50						
HMH72B241S	TM8Y080B12MP11	17.5	XAHB36D	650	8.4	7.4		28.15	5.6				3.84	



**Table 6: System capacity - with high efficiency motor furnaces**

Unit model	Furnace		Coil model	Rated CFM	Cooling				Heating					
	Model	Width			Net MBH		SEER	EER	Net MBH		HSPF	HSPF region V	COP	
					Total	Sens.			47°F OD	17°F OD			47°F OD	17°F OD
HMH72B241S	TM8V080B12MP12C	21.0	XAHC36D	825	21.4	16.0	16.25	9.75	21.0	14.1	9.00	6.95	3.10	2.34
HMH72B241S	TM8V080B12MP12C	21.0	XAHC36D	550	12.7	8.2		15.60						
HMH72B241S	TM8V080B12MP12C	21.0	XAHC36D	550	8.3	7.0		29.55	5.4				3.92	
HMH72B241S	TPLC080B12MP13C	21.0	XAHC36D	825	21.4	16.0	16.25	9.75	21.0	14.1	9.00	6.95	3.10	2.34
HMH72B241S	TPLC080B12MP13C	21.0	XAHC36D	550	12.7	8.2		15.60						
HMH72B241S	TPLC080B12MP13C	21.0	XAHC36D	550	8.3	7.0		29.55	5.4				3.92	
HMH72B241S	YPLC080B12MP13C	21.0	XAHC36D	825	21.4	16.0	16.25	9.75	21.0	14.1	9.00	6.95	3.10	2.34
HMH72B241S	YPLC080B12MP13C	21.0	XAHC36D	550	12.7	8.2		15.60						
HMH72B241S	YPLC080B12MP13C	21.0	XAHC36D	550	8.3	7.0		29.55	5.4				3.92	
HMH72B241S	TM8E100B12MP11	21.0	XAHC36D	825	21.6	16.2	16.25	10.00	21.0	14.0	9.00	6.95	3.12	2.38
HMH72B241S	TM8E100B12MP11	21.0	XAHC36D	700	13.1	9.8		15.60						
HMH72B241S	TM8E100B12MP11	21.0	XAHC36D	700	8.5	7.6		28.00	5.7				3.84	
HMH72B241S	TMLE100B12MP11	21.0	XAHC36D	825	21.6	16.2	16.25	10.00	21.0	14.0	9.00	6.95	3.12	2.38
HMH72B241S	TMLE100B12MP11	21.0	XAHC36D	700	13.1	9.8		15.60						
HMH72B241S	TMLE100B12MP11	21.0	XAHC36D	700	8.5	7.6		28.00	5.7				3.84	
HMH72B241S	TL9E060B12UH11	21.0	XAHC36D	850	21.6	16.3	16.00	9.75	21.0	14.2	8.50	6.65	3.10	2.36
HMH72B241S	TL9E060B12UH11	21.0	XAHC36D	650	12.9	9.2		15.45						
HMH72B241S	TL9E060B12UH11	21.0	XAHC36D	650	8.4	7.4		27.85	5.6				3.80	
HMH72B241S	TL8E060A12UH11	17.5	XAHB36D	825	21.6	16.2	16.25	9.75	21.0	14.1	8.50	6.70	3.10	2.36
HMH72B241S	TL8E060A12UH11	17.5	XAHB36D	650	13.0	9.3		15.70						
HMH72B241S	TL8E060A12UH11	17.5	XAHB36D	650	8.4	7.3		29.00	5.6				3.82	
HMH72B601S	TM9Y120D20MP11	24.5	XAHD60J	1550	56.0	37.4	16.25	8.00	56.0	35.8	9.00	7.25	3.12	2.40
HMH72B601S	TM9Y120D20MP11	24.5	XAHD60J	1025	32.6	17.4		15.65						
HMH72B601S	TM9Y120D20MP11	24.5	XAHD60J	1025	19.4	16.7		34.20	17.3				4.38	
HMH72B601S	TM9Y100C20MP11	24.5	XAHD60J	1525	55.5	36.8	15.75	8.25	56.0	35.8	9.00	7.10	3.10	2.40
HMH72B601S	TM9Y100C20MP11	24.5	XAHD60J	1200	33.4	19.8		15.15						
HMH72B601S	TM9Y100C20MP11	24.5	XAHD60J	1200	19.9	18.5		29.60	18.0				4.24	
HMH72B601S	TM9V120D20MP12C	24.5	XAHD60J	1650	56.0	37.8	16.00	8.00	56.5	36.2	9.00	7.25	3.14	2.40
HMH72B601S	TM9V120D20MP12C	24.5	XAHD60J	1025	32.6	17.4		15.60						
HMH72B601S	TM9V120D20MP12C	24.5	XAHD60J	1025	19.3	16.7		33.70	17.4				4.36	
HMH72B601S	TP9C120D20MP13C	24.5	XAHD60J	1650	56.0	37.8	16.00	8.00	56.5	36.2	9.00	7.25	3.14	2.40
HMH72B601S	TP9C120D20MP13C	24.5	XAHD60J	1025	32.6	17.4		15.60						
HMH72B601S	TP9C120D20MP13C	24.5	XAHD60J	1025	19.3	16.7		33.70	17.4				4.36	
HMH72B601S	YP9C120D20MP13C	24.5	XAHD60J	1650	56.0	37.8	16.00	8.00	56.5	36.2	9.00	7.25	3.14	2.40
HMH72B601S	YP9C120D20MP13C	24.5	XAHD60J	1025	32.6	17.4		15.60						
HMH72B601S	YP9C120D20MP13C	24.5	XAHD60J	1025	19.3	16.7		33.70	17.4				4.36	
HMH72B601S	TM9V100C16MP12C	24.5	XAHD60J	1625	56.0	37.6	15.75	8.00	56.5	36.2	9.00	7.10	3.12	2.40
HMH72B601S	TM9V100C16MP12C	24.5	XAHD60J	1100	32.8	18.4		15.35						
HMH72B601S	TM9V100C16MP12C	24.5	XAHD60J	1100	19.6	17.5		31.60	17.7				4.30	
HMH72B601S	TP9C100C16MP13C	24.5	XAHD60J	1625	56.0	37.6	15.75	8.00	56.5	36.2	9.00	7.10	3.12	2.40
HMH72B601S	TP9C100C16MP13C	24.5	XAHD60J	1100	32.8	18.4		15.35						
HMH72B601S	TP9C100C16MP13C	24.5	XAHD60J	1100	19.6	17.5		31.60	17.7				4.30	
HMH72B601S	YP9C100C16MP13C	24.5	XAHD60J	1625	56.0	37.6	15.75	8.00	56.5	36.2	9.00	7.10	3.12	2.40
HMH72B601S	YP9C100C16MP13C	24.5	XAHD60J	1100	32.8	18.4		15.35						
HMH72B601S	YP9C100C16MP13C	24.5	XAHD60J	1100	19.6	17.5		31.60	17.7				4.30	
HMH72B601S	TM9E120D20MP12	24.5	XAHD60J	1575	56.0	37.4	15.75	8.00	56.0	36.0	9.00	7.25	3.12	2.40
HMH72B601S	TM9E120D20MP12	24.5	XAHD60J	1250	33.6	20.4		15.30						
HMH72B601S	TM9E120D20MP12	24.5	XAHD60J	1250	20.2	19.0		30.10	18.1				4.30	
HMH72B601S	TM9E100C20MP12	24.5	XAHD60J	1675	56.0	38.0	16.00	8.00	56.5	36.4	9.00	7.30	3.14	2.40
HMH72B601S	TM9E100C20MP12	24.5	XAHD60J	1250	33.8	20.4		15.50						
HMH72B601S	TM9E100C20MP12	24.5	XAHD60J	1250	20.2	18.9		31.15	18.1				4.34	
HMH72B601S	TM9E080C20MP12	24.5	XAHD60J	1725	56.5	38.5	16.00	8.00	57.0	36.6	9.00	7.20	3.16	2.40

**Table 6: System capacity - with high efficiency motor furnaces**

Unit model	Furnace		Coil model	Rated CFM	Cooling				Heating					
	Model	Width			Net MBH		SEER	EER	Net MBH		HSPF	HSPF region V	COP	
					Total	Sens.			47°F OD	17°F OD			47°F OD	17°F OD
HMH72B601S	TM9E080C20MP12	24.5	XAHD60J	1275	33.8	20.6		15.55						
HMH72B601S	TM9E080C20MP12	24.5	XAHD60J	1275	20.4	19.3		31.15	18.1				4.36	
HMH72B601S	TM8Y120C20MP11	24.5	XAHD60J	1525	56.0	37.2	16.25	8.25	55.5	35.6	9.00	7.25	3.12	2.40
HMH72B601S	TM8Y120C20MP11	24.5	XAHD60J	1050	32.8	17.8		15.60						
HMH72B601S	TM8Y120C20MP11	24.5	XAHD60J	1050	19.5	17.0		33.70	17.4				4.36	
HMH72B601S	TM8Y100C20MP11	24.5	XAHD60J	1525	56.0	37.2	16.25	8.25	55.5	35.6	9.00	7.25	3.12	2.40
HMH72B601S	TM8Y100C20MP11	24.5	XAHD60J	1050	32.8	17.8		15.60						
HMH72B601S	TM8Y100C20MP11	24.5	XAHD60J	1050	19.5	17.0		33.70	17.4				4.36	
HMH72B601S	TM8E120C16MP11	24.5	XAHD60J	1575	56.0	37.4	16.00	8.00	56.0	36.0	9.00	7.30	3.12	2.40
HMH72B601S	TM8E120C16MP11	24.5	XAHD60J	1025	32.6	17.5		15.55						
HMH72B601S	TM8E120C16MP11	24.5	XAHD60J	1025	19.3	16.7		33.55	17.4				4.34	
HMH72B601S	TMLE120C16MP11	24.5	XAHD60J	1575	56.0	37.4	16.00	8.00	56.0	36.0	9.00	7.30	3.12	2.40
HMH72B601S	TMLE120C16MP11	24.5	XAHD60J	1025	32.6	17.5		15.55						
HMH72B601S	TMLE120C16MP11	24.5	XAHD60J	1025	19.3	16.7		33.55	17.4				4.34	
HMH72B601S	TM8E100C16MP11	24.5	XAHD60J	1550	55.5	36.8	16.00	8.00	56.0	36.0	9.00	7.15	3.10	2.38
HMH72B601S	TM8E100C16MP11	24.5	XAHD60J	1000	32.4	17.1		15.50						
HMH72B601S	TM8E100C16MP11	24.5	XAHD60J	1000	19.2	16.4		33.35	17.3				4.32	
HMH72B601S	TMLE100C16MP11	24.5	XAHD60J	1550	55.5	36.8	16.00	8.00	56.0	36.0	9.00	7.15	3.10	2.38
HMH72B601S	TMLE100C16MP11	24.5	XAHD60J	1000	32.4	17.1		15.50						
HMH72B601S	TMLE100C16MP11	24.5	XAHD60J	1000	19.2	16.4		33.35	17.3				4.32	
HMH72B601S	TM8E080C20MP11	24.5	XAHD60J	1525	56.0	37.2	16.00	8.25	55.5	35.6	9.00	7.20	3.12	2.40
HMH72B601S	TM8E080C20MP11	24.5	XAHD60J	1275	33.8	20.6		15.45						
HMH72B601S	TM8E080C20MP11	24.5	XAHD60J	1275	20.4	19.3		30.65	18.1				4.34	
HMH72B601S	TMLE080C20MP11	24.5	XAHD60J	1525	56.0	37.2	16.00	8.25	55.5	35.6	9.00	7.20	3.12	2.40
HMH72B601S	TMLE080C20MP11	24.5	XAHD60J	1275	33.8	20.6		15.45						
HMH72B601S	TMLE080C20MP11	24.5	XAHD60J	1275	20.4	19.3		30.65	18.1				4.34	
HMH72B601S	TM8E080C16MP11	24.5	XAHD60J	1550	55.5	36.8	16.00	8.00	56.0	36.0	9.00	7.30	3.10	2.38
HMH72B601S	TM8E080C16MP11	24.5	XAHD60J	1025	32.6	17.5		15.55						
HMH72B601S	TM8E080C16MP11	24.5	XAHD60J	1025	19.3	16.7		33.35	17.4				4.34	
HMH72B601S	TMLE080C16MP11	24.5	XAHD60J	1550	55.5	36.8	16.00	8.00	56.0	36.0	9.00	7.30	3.10	2.38
HMH72B601S	TMLE080C16MP11	24.5	XAHD60J	1025	32.6	17.5		15.55						
HMH72B601S	TMLE080C16MP11	24.5	XAHD60J	1025	19.3	16.7		33.35	17.4				4.34	
HMH72B601S	TL9E100C20UH11	24.5	XAHD60J	1575	56.0	37.4	16.00	8.00	56.0	36.0	9.00	7.20	3.12	2.40
HMH72B601S	TL9E100C20UH11	24.5	XAHD60J	1175	33.4	19.4		15.55						
HMH72B601S	TL9E100C20UH11	24.5	XAHD60J	1175	20.0	18.3		32.15	17.8				4.36	
HMH72B601S	TL8E080C16UH11	24.5	XAHD60J	1525	55.5	36.8	16.00	8.00	56.0	36.0	9.00	7.10	3.08	2.38
HMH72B601S	TL8E080C16UH11	24.5	XAHD60J	1000	32.4	17.1		15.45						
HMH72B601S	TL8E080C16UH11	24.5	XAHD60J	1000	19.2	16.5		33.10	17.3				4.32	
HMH72B481S	TM9V120D20MP12C	24.5	XAHD60J	1650	47.0	35.0	17.50	9.50	47.0	30.4	9.00	7.15	3.40	2.46
HMH72B481S	TM9V120D20MP12C	24.5	XAHD60J	1025	27.8	17.7		16.80						
HMH72B481S	TM9V120D20MP12C	24.5	XAHD60J	1025	16.3	14.9		32.70	17.0				4.22	
HMH72B481S	TP9C120D20MP13C	24.5	XAHD60J	1650	47.0	35.0	17.50	9.50	47.0	30.4	9.00	7.15	3.40	2.46
HMH72B481S	TP9C120D20MP13C	24.5	XAHD60J	1025	27.8	17.7		16.80						
HMH72B481S	TP9C120D20MP13C	24.5	XAHD60J	1025	16.3	14.9		32.70	17.0				4.22	
HMH72B481S	YP9C120D20MP13C	24.5	XAHD60J	1650	47.0	35.0	17.50	9.50	47.0	30.4	9.00	7.15	3.40	2.46
HMH72B481S	YP9C120D20MP13C	24.5	XAHD60J	1025	27.8	17.7		16.80						
HMH72B481S	YP9C120D20MP13C	24.5	XAHD60J	1025	16.3	14.9		32.70	17.0				4.22	
HMH72B481S	TM9V100C20MP12C	21.0	XAHC60H	1600	47.5	33.6	17.00	9.25	47.5	30.2	8.50	6.80	3.30	2.42
HMH72B481S	TM9V100C20MP12C	21.0	XAHC60H	975	27.6	16.4		16.65						
HMH72B481S	TM9V100C20MP12C	21.0	XAHC60H	975	16.1	14.3		31.75	16.9				4.16	
HMH72B481S	TP9C100C20MP13C	21.0	XAHC60H	1600	47.5	33.6	17.00	9.25	47.5	30.2	8.50	6.80	3.30	2.42
HMH72B481S	TP9C100C20MP13C	21.0	XAHC60H	975	27.6	16.4		16.65						

**Table 6: System capacity - with high efficiency motor furnaces**

Unit model	Furnace		Coil model	Rated CFM	Cooling				Heating					
	Model	Width			Net MBH		SEER	EER	Net MBH		HSPF	HSPF region V	COP	
					Total	Sens.			47°F OD	17°F OD			47°F OD	17°F OD
HMH72B481S	TP9C100C20MP13C	21.0	XAHC60H	975	16.1	14.3		31.75	16.9				4.16	
HMH72B481S	YP9C100C20MP13C	21.0	XAHC60H	1600	47.5	33.6	17.00	9.25	47.5	30.2	8.50	6.80	3.30	2.42
HMH72B481S	YP9C100C20MP13C	21.0	XAHC60H	975	27.6	16.4		16.65						
HMH72B481S	YP9C100C20MP13C	21.0	XAHC60H	975	16.1	14.3		31.75	16.9				4.16	
HMH72B481S	TM9V100C16MP12C	21.0	XAHC60H	1500	47.0	32.8	17.00	9.50	47.0	29.8	8.50	6.80	3.28	2.42
HMH72B481S	TM9V100C16MP12C	21.0	XAHC60H	1025	27.8	17.0		16.55						
HMH72B481S	TM9V100C16MP12C	21.0	XAHC60H	1025	16.2	14.8		30.60	17.1				4.18	
HMH72B481S	TP9C100C16MP13C	21.0	XAHC60H	1500	47.0	32.8	17.00	9.50	47.0	29.8	8.50	6.80	3.28	2.42
HMH72B481S	TP9C100C16MP13C	21.0	XAHC60H	1025	27.8	17.0		16.55						
HMH72B481S	TP9C100C16MP13C	21.0	XAHC60H	1025	16.2	14.8		30.60	17.1				4.18	
HMH72B481S	YP9C100C16MP13C	21.0	XAHC60H	1500	47.0	32.8	17.00	9.50	47.0	29.8	8.50	6.80	3.28	2.42
HMH72B481S	YP9C100C16MP13C	21.0	XAHC60H	1025	27.8	17.0		16.55						
HMH72B481S	YP9C100C16MP13C	21.0	XAHC60H	1025	16.2	14.8		30.60	17.1				4.18	
HMH72B481S	TM8Y100C16MP11	24.5	XAHD60J	1525	46.0	33.4	17.75	9.00	46.0	29.6	9.00	7.10	3.32	2.40
HMH72B481S	TM8Y100C16MP11	24.5	XAHD60J	825	27.0	15.1		16.90						
HMH72B481S	TM8Y100C16MP11	24.5	XAHD60J	825	16.0	13.4		36.05	16.6				4.20	
HMH72B481S	TM8Y080C16MP11	24.5	XAHD60J	1525	46.0	33.4	17.75	9.00	46.0	29.6	9.00	7.10	3.32	2.40
HMH72B481S	TM8Y080C16MP11	24.5	XAHD60J	825	27.0	15.1		16.90						
HMH72B481S	TM8Y080C16MP11	24.5	XAHD60J	825	16.0	13.4		36.05	16.6				4.20	
HMH72B481S	TM8Y100C16MP11	21.0	XAHC60H	1475	47.0	32.6	17.75	9.50	47.0	29.2	8.50	6.60	3.22	2.36
HMH72B481S	TM8Y100C16MP11	21.0	XAHC60H	825	27.0	14.6		17.00						
HMH72B481S	TM8Y100C16MP11	21.0	XAHC60H	825	16.0	13.2		36.25	16.6				4.20	
HMH72B481S	TM8Y080C16MP11	21.0	XAHC60H	1475	47.0	32.6	17.75	9.50	47.0	29.2	8.50	6.60	3.22	2.36
HMH72B481S	TM8Y080C16MP11	21.0	XAHC60H	825	27.0	14.6		17.00						
HMH72B481S	TM8Y080C16MP11	21.0	XAHC60H	825	16.0	13.2		36.25	16.6				4.20	
HMH72B481S	TM8V100C16MP12C	24.5	XAHD60J	1425	46.0	32.8	17.25	9.50	45.5	29.0	8.50	6.70	3.28	2.40
HMH72B481S	TM8V100C16MP12C	24.5	XAHD60J	900	27.2	16.0		16.60						
HMH72B481S	TM8V100C16MP12C	24.5	XAHD60J	900	16.0	13.9		33.05	16.9				4.18	
HMH72B481S	TM8V080C16MP12C	24.5	XAHD60J	1425	46.0	32.8	17.25	9.50	45.5	29.0	8.50	6.70	3.28	2.40
HMH72B481S	TM8V080C16MP12C	24.5	XAHD60J	900	27.2	16.0		16.60						
HMH72B481S	TM8V080C16MP12C	24.5	XAHD60J	900	16.0	13.9		33.05	16.9				4.18	
HMH72B481S	TMLV100C16MP12C	24.5	XAHD60J	1425	46.0	32.8	17.25	9.50	45.5	29.0	8.50	6.70	3.28	2.40
HMH72B481S	TMLV100C16MP12C	24.5	XAHD60J	900	27.2	16.0		16.60						
HMH72B481S	TMLV100C16MP12C	24.5	XAHD60J	900	16.0	13.9		33.05	16.9				4.18	
HMH72B481S	TPLC080C16MP13C	24.5	XAHD60J	1425	46.0	32.8	17.25	9.50	45.5	29.0	8.50	6.70	3.28	2.40
HMH72B481S	TPLC080C16MP13C	24.5	XAHD60J	900	27.2	16.0		16.60						
HMH72B481S	TPLC080C16MP13C	24.5	XAHD60J	900	16.0	13.9		33.05	16.9				4.18	
HMH72B481S	TPLC100C16MP13C	24.5	XAHD60J	1425	46.0	32.8	17.25	9.50	45.5	29.0	8.50	6.70	3.28	2.40
HMH72B481S	TPLC100C16MP13C	24.5	XAHD60J	900	27.2	16.0		16.60						
HMH72B481S	TPLC100C16MP13C	24.5	XAHD60J	900	16.0	13.9		33.05	16.9				4.18	
HMH72B481S	YPLC080C16MP13C	24.5	XAHD60J	1425	46.0	32.8	17.25	9.50	45.5	29.0	8.50	6.70	3.28	2.40
HMH72B481S	YPLC080C16MP13C	24.5	XAHD60J	900	27.2	16.0		16.60						
HMH72B481S	YPLC080C16MP13C	24.5	XAHD60J	900	16.0	13.9		33.05	16.9				4.18	
HMH72B481S	YPLC100C16MP13C	24.5	XAHD60J	1425	46.0	32.8	17.25	9.50	45.5	29.0	8.50	6.70	3.28	2.40
HMH72B481S	YPLC100C16MP13C	24.5	XAHD60J	900	27.2	16.0		16.60						
HMH72B481S	YPLC100C16MP13C	24.5	XAHD60J	900	16.0	13.9		33.05	16.9				4.18	
HMH72B481S	TM8E100C16MP11	24.5	XAHD60J	1550	46.5	34.0	17.50	9.25	46.5	29.6	9.00	7.10	3.32	2.40
HMH72B481S	TM8E100C16MP11	24.5	XAHD60J	875	27.2	15.8		16.80						
HMH72B481S	TM8E100C16MP11	24.5	XAHD60J	875	16.0	13.7		34.60	16.8				4.20	
HMH72B481S	TMLE100C16MP11	24.5	XAHD60J	1550	46.5	34.0	17.50	9.25	46.5	29.6	9.00	7.10	3.32	2.40
HMH72B481S	TMLE100C16MP11	24.5	XAHD60J	875	27.2	15.8		16.80						
HMH72B481S	TMLE100C16MP11	24.5	XAHD60J	875	16.0	13.7		34.60	16.8				4.20	

**Table 6: System capacity - with high efficiency motor furnaces**

Unit model	Furnace		Coil model	Rated CFM	Cooling				Heating					
	Model	Width			Net MBH		SEER	EER	Net MBH		HSPF	HSPF region V	COP	
					Total	Sens.			47°F OD	17°F OD			47°F OD	17°F OD
HMH72B481S	TL9E080C16UH11	21.0	XAHC60H	1350	46.5	31.4	17.25	9.50	46.5	28.8	8.50	6.75	3.18	2.34
HMH72B481S	TL9E080C16UH11	21.0	XAHC60H	925	27.4	15.9		16.55						
HMH72B481S	TL9E080C16UH11	21.0	XAHC60H	925	16.0	14.0		31.85	17.1				4.18	
HMH72B481S	TL8E080C16UH11	24.5	XAHD60J	1525	46.0	33.4	17.25	9.25	46.5	29.6	9.00	7.10	3.30	2.38
HMH72B481S	TL8E080C16UH11	24.5	XAHD60J	1000	27.8	17.5		16.65						
HMH72B481S	TL8E080C16UH11	24.5	XAHD60J	1000	16.2	14.7		32.10	17.3				4.28	
HMH72B481S	TL8E080C16UH11	21.0	XAHC60H	1325	46.5	31.4	17.25	9.75	46.0	28.6	8.50	6.65	3.18	2.36
HMH72B481S	TL8E080C16UH11	21.0	XAHC60H	975	27.6	16.4		16.60						
HMH72B481S	TL8E080C16UH11	21.0	XAHC60H	975	16.1	14.4		31.65	17.3				4.24	
HMH72B481S	TM9Y100C16MP11	21.0	XAHC60H	1400	47.0	32.2	17.75	9.75	46.5	29.4	8.75	6.85	3.24	2.40
HMH72B481S	TM9Y100C16MP11	21.0	XAHC60H	725	26.6	13.5		17.00						
HMH72B481S	TM9Y100C16MP11	21.0	XAHC60H	725	15.8	12.4		38.10	15.9				4.06	
HMH72B481S	TM9Y080C16MP11	21.0	XAHC60H	1400	47.0	32.2	17.25	9.75	46.5	29.6	8.50	6.60	3.22	2.40
HMH72B481S	TM9Y080C16MP11	21.0	XAHC60H	1050	28.0	17.4		16.65						
HMH72B481S	TM9Y080C16MP11	21.0	XAHC60H	1050	16.3	15.0		30.75	17.2				4.20	

## Applications and accessories

**Table 7: Minimum and maximum operating limit conditions**

Ambient temperature limits	Outdoor coil °F (°C)	
	DB cool	DB heat
Minimum	35 (2)	-5 (-21)
Maximum	122 (50)	75 (24)

**Note:** The maximum lineset equivalent length is 200 ft.

The following accessories are compatible with H Series heat pumps:

### H Series - Horizontal Discharge Modulating Heat Pump Compatibility Kits:

- **S1-HMH7AK001** kit required for standard ECM gas furnaces and air handling units.
- **S1-HMH7AK002** kit required for premium variable speed gas furnaces and air handling units with the exception of JHVT and JMVT models.
- **S1-BFD083S** liquid line filter drier required if an S1-HMH7AK00\* kit is not used.

**TXV Kits (S1-1TVM\*):** Thermal expansion valves precisely meter refrigerant for optimum performance over a wide range of conditions. See Table 4 for the TXV part number for each model.

## Sound power ratings

**Table 8: Sound power - cooling**

Model number	Octave band sound power level (dB re. 1 pW)								dBA	SQI
	63	125	250	500	1000	2000	4000	8000		
HMH72B241S	70	70	63	62	61	55	50	43	65	19.1
HMH72B361S	72	71	67	63	64	58	56	50	68	19.1
HMH72B481S	73	70	67	64	65	60	57	48	69	19.2
HMH72B601S	78	79	71	66	66	62	64	52	73	19.0

**Table 9: Sound power - heating**

Model number	Octave band sound power level (dB re. 1 pW)								dBA	SQI
	63	125	250	500	1000	2000	4000	8000		
HMH72B241S	70	72	64	62	61	55	50	42	65	19.1
HMH72B361S	68	71	68	65	66	62	60	56	70	19.1
HMH72B481S	74	72	70	67	67	63	59	53	71	19.2
HMH72B601S	77	77	73	70	68	63	61	52	73	19.0

## Mechanical specifications

### Manufacture and certifications

- Units shall be manufactured in an ISO 9001 certified facility.
- Units shall be certified by ETL to UL 1995 and performance certified to ANSI/AHRI Standard 210/240.
- Units shall be sound tested according to ANSI/AHRI Standard 270.
- Certified matched system ratings will be available for download from the AHRI online directory at [www.ahridirectory.org](http://www.ahridirectory.org).

### Unit application

- Units shall be approved for cooling operation between 35°F and 122°F without modification.
- Units shall be approved for linesets up to an equivalent length of 164 ft for HMH72B241S and 246 ft for HMH72B361S, HMH72B481S, and HMH72B601S without modification.
- Units shall be approved for installation within 8 in. (long side) and 6 in. (short side) of a flat vertical wall without modification, according to the instructions in the technical literature.
- Units shall be designed to 73 dBA or less to minimize sound pollution.

### Unit access

- Units shall be factory leak checked, run tested, and shipped with a holding charge of R-410A refrigerant.
- Unit cabinet components shall be G90 equivalent steel finished with powder-coat paint rated at a minimum of 1,000 h under ASTM B117 testing.
- Units shall be constructed with a high pressure switch for system protection.
- Units shall be constructed with all badging and labels applied at the factory.

### Unit components

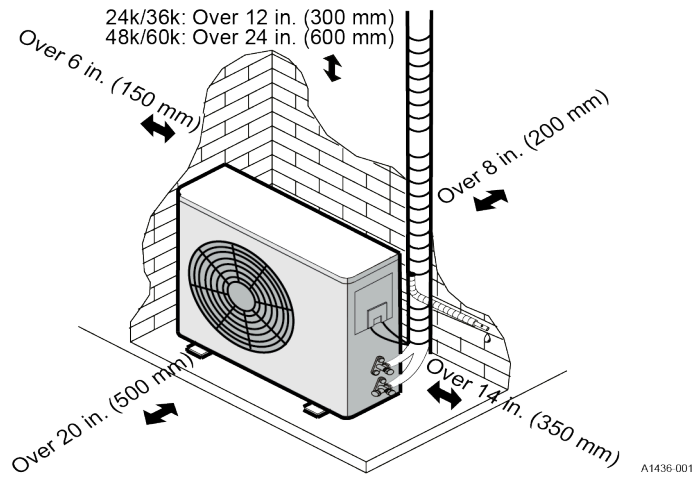
- Compressor shall be hermetic with internal electrical overload protection and internal overpressure protection.
- Compressor shall be mounted on neoprene vibration isolators that do not require the removal of transportation clips or brackets.
- Outdoor fan shall be direct drive with horizontal air discharge for low sound levels.
- Outdoor fan blades shall be swept-wing to minimize sound (applies to select models).
- Outdoor fan motor shall be totally enclosed with permanently lubricated ball bearings motors approved for vertical shaft applications.
- Outdoor fan motor shall be ECM construction with permanently lubricated ball bearing motors approved for vertical shaft applications.

## Unit warranties

- Unit manufacturer shall provide a 5-year compressor warranty without a requirement for unit registration.

## Typical installation

**Figure 3: Minimum clearances when selecting a location**



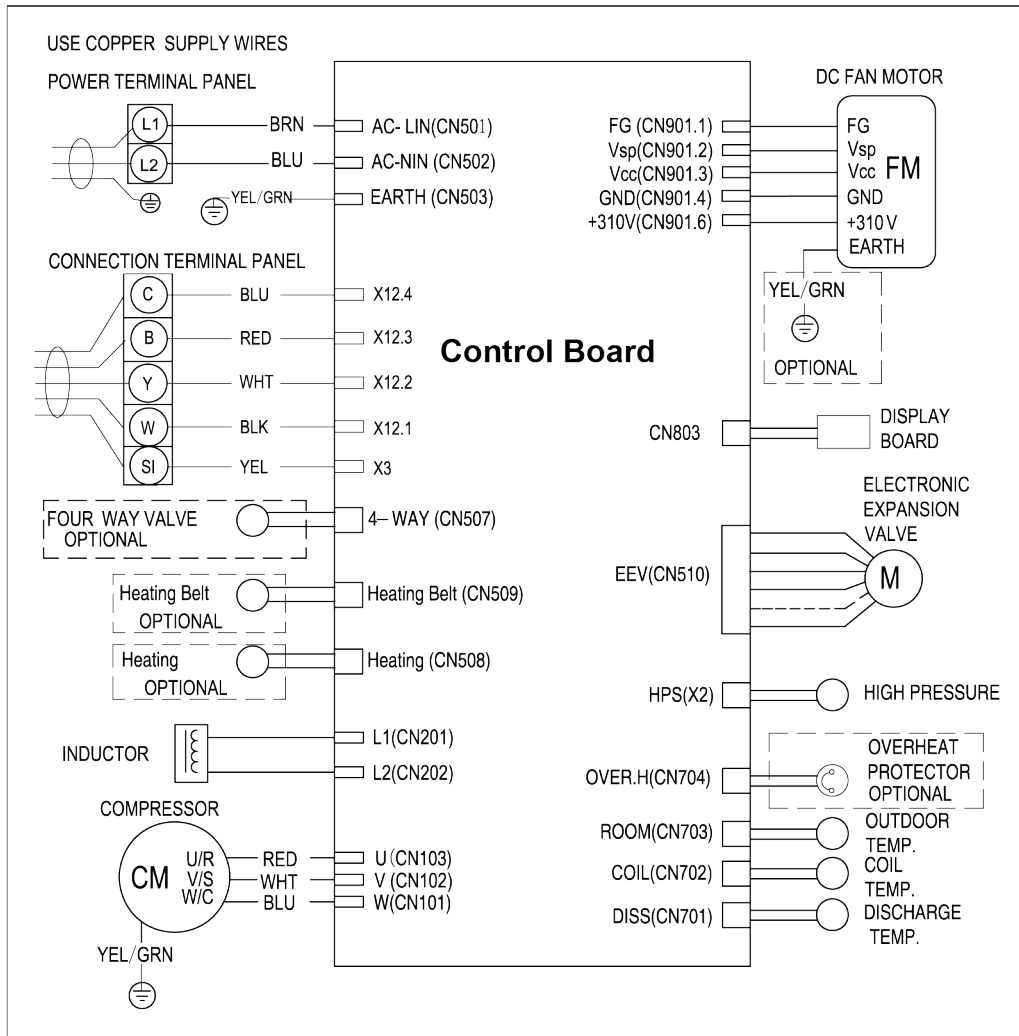
### **⚠ CAUTION**

#### **Caution**

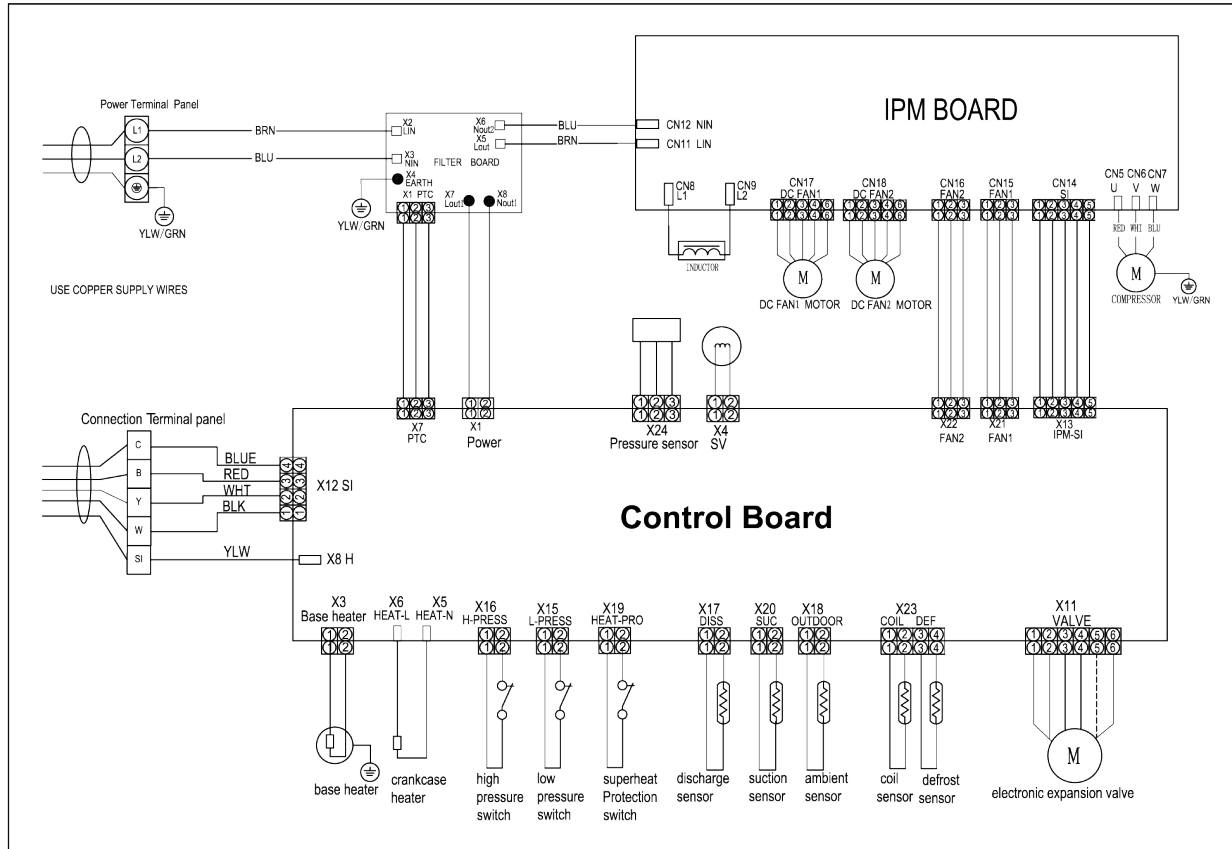
Care must be taken to prevent ice from damaging the unit. Damage may occur from ice falling onto unit from a sloped roof or from a vertical drip line due to a partial overhang.

# Typical field wiring

**Figure 4: Typical field wiring - HMH72B241S and HMH72B361S**

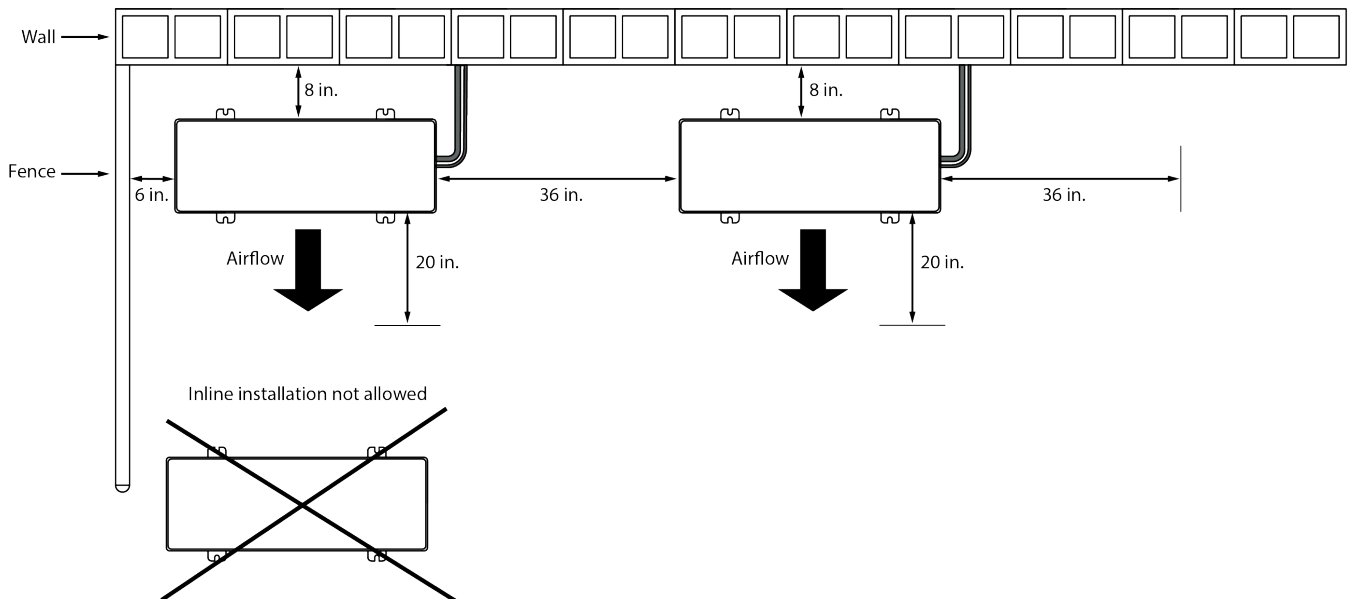


**Figure 5: Typical field wiring - HMH72B481S and HMH72B601S**



## Alternative installation clearances

**Figure 6: Alternative installation clearances**



A1499-001



# Performance data - 2 ton

## Cooling performance data - 2 ton

**Table 10: Cooling performance data - 2 ton - air temperature (°F) entering outdoor unit**

Outdoor unit model: HMM72B241S																
Air temp (°F)	ID CFM	600					800					1000				
	ID DB (°F)	80	80	75	80	80	80	80	75	80	80	80	80	75	80	80
	ID WB (°F)	57	62	62	67	72	57	62	62	67	72	57	62	62	67	72
55	T.C.	22.7	24.1	24.6	26.3	27.5	24.1	25.7	26.1	28.1	29.9	26.8	27.4	27.6	29.8	32.4
	S.C.	22.2	19.6	16.7	16.8	12.7	24.1	22.3	18.8	18.4	14.2	26.3	25.0	20.9	20.0	15.7
	kW	1.3	1.4	1.3	1.3	1.3	1.4	1.4	1.4	1.4	1.4	1.7	1.5	1.5	1.5	1.5
65	T.C.	21.8	23.0	23.3	25.1	26.1	23.2	24.5	24.9	26.7	28.4	25.5	26.1	26.5	28.4	30.7
	S.C.	21.3	19.4	16.3	16.3	12.4	23.2	21.8	18.4	18.0	13.7	25.0	24.2	20.5	19.7	14.9
	kW	1.5	1.6	1.6	1.6	1.6	1.6	1.6	1.6	1.6	1.6	1.9	1.7	1.7	1.7	1.7
75	T.C.	20.9	22.0	22.1	23.9	24.7	22.3	23.4	23.7	25.4	26.9	24.3	24.8	25.4	26.9	29.1
	S.C.	20.4	19.0	15.9	15.8	12.0	22.3	21.1	18.0	17.5	13.1	23.8	23.3	20.0	19.3	14.1
	kW	1.7	1.8	1.8	1.8	1.8	1.9	1.9	1.9	1.9	1.9	2.0	1.9	1.9	1.9	1.9
85	T.C.	20.0	20.9	20.8	22.7	23.3	21.4	22.2	22.5	24.1	25.4	23.0	23.6	24.2	25.4	27.4
	S.C.	19.6	18.7	15.5	15.2	11.6	21.4	20.5	17.4	17.0	12.5	22.5	22.3	19.4	18.8	13.4
	kW	2.0	2.0	2.0	2.0	2.0	2.1	2.1	2.1	2.1	2.1	2.2	2.2	2.2	2.2	2.2
95	T.C.	19.2	19.9	19.5	21.5	21.9	20.4	21.1	21.3	22.7	23.9	21.7	22.3	23.1	24.0	25.8
	S.C.	18.7	18.2	14.9	14.7	11.2	20.4	19.8	16.9	16.5	11.9	21.3	21.4	18.9	18.3	12.6
	kW	2.2	2.2	2.2	2.3	2.3	2.3	2.3	2.3	2.3	2.4	2.4	2.4	2.4	2.4	2.4
105	T.C.	18.3	18.8	18.3	20.2	20.5	19.5	19.9	20.1	21.4	22.3	20.5	21.0	21.9	22.5	24.1
	S.C.	17.8	17.8	14.3	14.1	10.7	19.5	19.1	16.3	15.9	11.3	20.0	20.4	18.3	17.7	11.8
	kW	2.4	2.4	2.4	2.5	2.5	2.5	2.5	2.5	2.6	2.6	2.6	2.6	2.6	2.6	2.7
115	T.C.	17.4	17.7	17.0	19.0	19.1	18.5	18.8	18.9	20.1	20.8	19.2	19.8	20.8	21.1	22.5
	S.C.	17.0	17.2	13.7	13.4	10.2	18.5	18.3	15.7	15.2	10.6	18.8	19.4	17.6	17.1	11.0
	kW	2.6	2.6	2.6	2.7	2.8	2.7	2.7	2.7	2.8	2.8	2.8	2.8	2.8	2.9	2.9

**Note:**

- All capacities include indoor fan heat. kW values are for the system (outdoor + indoor).

## Multipliers for determining the performance with other indoor sections

**Table 11: Coil multipliers - 2 ton cooling**

Air handler	Coil	T.C.	S.C.	kW
AE36BX21	—	0.98	1.07	0.95
AE36BX21	—	0.98	1.07	0.95
AE36CX21	—	0.98	1.03	0.95
AE36CX21	—	0.98	1.03	0.95
AVC36BX21	—	0.97	1.06	0.94
AVC36BX21	—	0.97	1.06	0.94
AVC36CX21	—	0.98	1.07	0.93
AVC36CX21	—	0.98	1.07	0.93
ME08BN21	CF/CM36B	0.97	1.03	0.92
ME08BN21	XAF/XAUB36D	0.97	0.99	0.92
ME08BN21	XAHB36D	0.96	1.01	0.93
MVC12BN21	CF/CM36B	0.98	1.07	0.93
MVC12BN21	XAF/XAUB36D	0.99	1.04	0.93
MVC12BN21	XAHB36D	0.96	1.01	0.93
ME12CN21	CF/CM36C	0.98	1.07	0.93
ME12CN21	XAFC36D	0.98	1.01	0.93
MVC12CN21	CF/CM36C	0.98	1.07	0.93
MVC12CN21	XAFC36D	0.99	1.04	0.91

**Table 11: Coil multipliers - 2 ton cooling**

Air handler	Coil	T.C.	S.C.	kW
MVC12CN21	XAHC36D	0.97	1.02	0.94
JHETB30DXS2N1	—	0.99	1.07	0.94
JHETB36DXS2N1	—	0.98	1.02	0.93
JHETC36DXS2N1	—	0.99	1.03	0.91
JHVTB36DXXC2N1	—	0.98	1.01	0.93
JHVTC36DXXC2N1	—	0.99	1.02	0.91
JMET08BS2N1A	XAHB36D	0.95	0.98	0.92
JMET08BS2N1A	XAF/XAUB36D	0.98	1.01	0.93
JMET12BS2N1A	XAHB36D	0.95	0.98	0.92
JMET12BS2N1A	XAF/XAUB36D	0.98	1.01	0.93
JMVT12BC2N1A	XAHB36D	0.96	1.00	0.93
JMVT12BC2N1A	XAF/XAUB36D	0.97	0.99	0.92

**Table 12: Furnace multipliers - 2 ton cooling**

Furnace	Coil	T.C.	S.C.	kW
TM8Y080B12MP11	XAHB36D	0.95	0.98	0.95
TM8V080B12MP12C	XAHC36D	0.94	0.97	0.94
TPLC080B12MP13C	XAHC36D	0.94	0.97	0.94
YPLC080B12MP13C	XAHC36D	0.94	0.97	0.94
YP9C080B12MP13C	XAHC36D	0.95	0.99	0.95
TM9V080B12MP12C	XAHB36D	0.95	0.99	0.95
TP9C080B12MP13C	XAHB36D	0.95	0.99	0.95
YP9C080B12MP13C	XAHB36D	0.95	0.99	0.95
TM9E060A10MP12	XAHB36D	0.95	0.99	0.97
TM9E040A10MP12	XAHB36D	0.94	0.98	0.99
TM9Y060B12MP11	XAHC36D	0.95	0.99	0.95
TM9Y060B12MP11	XAHB36D	0.94	0.97	0.96
TM9Y040A10MP11	XAHB36D	0.92	0.93	0.97
TM9V080B12MP12C	XAHC36D	0.95	0.99	0.95
TP9C080B12MP13C	XAHC36D	0.95	0.99	0.95
TMLE040A12MP11	XAHB36D	0.95	0.98	0.95
TL9E060B12UH11	XAHB36D	0.94	0.97	0.94
YP9C060B12MP13C	XAHB36D	0.95	1.00	0.97
TM9V040A10MP12C	XAHB36D	0.94	0.98	0.99
TM8V080B12MP12C	XAHB36D	0.94	0.97	0.96
TPLC080B12MP13C	XAHB36D	0.94	0.97	0.96
YPLC080B12MP13C	XAHB36D	0.94	0.97	0.96
TM8E040A12MP11	XAHB36D	0.95	0.98	0.95
TM9Y080B12MP11	XAHB36D	0.95	0.99	0.95
TM9V060B12MP12C	XAHC36D	0.95	1.00	0.97
TP9C060B12MP13C	XAHC36D	0.95	1.00	0.97
YP9C060B12MP13C	XAHC36D	0.95	1.00	0.97
TM9V060B12MP12C	XAHB36D	0.95	1.00	0.97
TP9C060B12MP13C	XAHB36D	0.95	1.00	0.97
TM9Y060B12MP11	CU/CU/CF/CM36C	0.97	1.06	0.96
TM9Y060B12MP11	CF/CM/CU36B	0.97	1.06	0.96
TM8Y080B12MP11	CF/CM/CU36B	0.97	1.04	0.94
TM8Y060A12MP11	CF/CM36A	0.96	1.01	0.96
TM8Y080B12MP11	CF/CM36C	0.97	1.06	0.94
TL8E060A12UH11	CF/CM36A	0.96	1.03	0.96
TL9E060B12UH11	CF/CM/CU36B	0.96	1.04	0.96
TL8E060A12UH11	CF/CM/CU36B	0.97	1.06	0.94
TL9E060B12UH11	CU/CU/CF/CM36C	0.97	1.06	0.96

**Table 12: Furnace multipliers - 2 ton cooling**

Furnace	Coil	T.C.	S.C.	kW
TM9V060B12MP12C	CF/CM/CU36B	0.97	1.06	0.96
TP9C060B12MP13C	CF/CM/CU36B	0.97	1.06	0.96
YP9C060B12MP13C	CF/CM/CU36B	0.97	1.06	0.96
TM9V040A10MP12C	CF/CM/CU36B	0.96	1.05	1.01
TM9V040A10MP12C	CF/CM36A	0.95	1.04	1.00
TM9E040A10MP12	CF/CM/CU36B	0.95	1.02	0.97
TM9V080B12MP12C	CU/CU/CF/CM36C	0.97	1.06	0.94
TP9C080B12MP13C	CU/CU/CF/CM36C	0.97	1.06	0.94
YP9C080B12MP13C	CU/CU/CF/CM36C	0.97	1.06	0.94
TM9V080B12MP12C	CF/CM/CU36B	0.97	1.06	0.94
TP9C080B12MP13C	CF/CM/CU36B	0.97	1.06	0.94
YP9C080B12MP13C	CF/CM/CU36B	0.97	1.06	0.94
TM8Y060A12MP11	CF/CM/CU36B	0.96	1.02	0.93
TMLV060A12MP12C	CF/CM36A	0.95	0.98	0.92
TPLC060A12MP13C	CF/CM36A	0.95	0.98	0.92
YPLC060A12MP13C	CF/CM36A	0.95	0.98	0.92
TM8E040A12MP11	CF/CM36A	0.96	1.03	0.96
TMLE040A12MP11	CF/CM36A	0.96	1.03	0.96
YPLC080B12MP13C	CF/CM/CU36B	0.96	1.03	0.96
TM8V060A12MP12C	CF/CM/CU36B	0.95	0.98	0.92
TMLV060A12MP12C	CF/CM/CU36B	0.95	0.98	0.92
TPLC060A12MP13C	CF/CM/CU36B	0.95	0.98	0.92
YPLC060A12MP13C	CF/CM/CU36B	0.95	0.98	0.92
TM8V060A12MP12C	CF/CM36A	0.95	0.98	0.92
TM8V080B12MP12C	CU/CU/CF/CM36C	0.96	1.03	0.93
TPLC080B12MP13C	CU/CU/CF/CM36C	0.96	1.03	0.93
YPLC080B12MP13C	CU/CU/CF/CM36C	0.96	1.03	0.93
TM8V080B12MP12C	CF/CM/CU36B	0.96	1.03	0.96
TPLC080B12MP13C	CF/CM/CU36B	0.96	1.03	0.96
TMLV100C16MP12C	CU/CU/CF/CM36C	0.98	1.07	0.95
TPLC080C16MP13C	CU/CU/CF/CM36C	0.98	1.07	0.95
TPLC100C16MP13C	CU/CU/CF/CM36C	0.98	1.07	0.95
YPLC080C16MP13C	CU/CU/CF/CM36C	0.98	1.07	0.95
YPLC100C16MP13C	CU/CU/CF/CM36C	0.98	1.07	0.95
TM9E060A10MP12	CF/CM36A	0.96	1.04	0.98
TM9E040A10MP12	CF/CM36A	0.95	1.03	1.00
TM9E026A08MP12	CF/CM/CU36B	0.95	1.04	1.00
TM9E026A08MP12	CF/CM36A	0.95	1.03	1.00
TM8V100C16MP12C	CU/CU/CF/CM36C	0.98	1.07	0.95
TM8V080C16MP12C	CU/CU/CF/CM36C	0.98	1.07	0.95
TM9V060B12MP12C	CU/CU/CF/CM36C	0.97	1.06	0.96
TP9C060B12MP13C	CU/CU/CF/CM36C	0.97	1.06	0.96
YP9C060B12MP13C	CU/CU/CF/CM36C	0.97	1.06	0.96
TM8V080B12MP12C	XAFC36D	0.97	1.00	0.94
TPLC080B12MP13C	XAFC36D	0.97	1.00	0.94
YPLC080B12MP13C	XAFC36D	0.97	1.00	0.94
TL8E060A12UH11	XAF/XAUB36D	0.98	1.02	0.95
TM9V060B12MP12C	XAF/XAUB36D	0.98	1.03	0.97
TP9C060B12MP13C	XAF/XAUB36D	0.98	1.03	0.97
YP9C060B12MP13C	XAF/XAUB36D	0.98	1.03	0.97
TM8Y080B12MP11	XAFC36D	0.98	1.01	0.95
TM8Y080B12MP11	XAF/XAUB36D	0.98	1.01	0.95
TM8Y060A12MP11	XAF/XAUB36D	0.96	0.98	0.93

**Table 12: Furnace multipliers - 2 ton cooling**

Furnace	Coil	T.C.	S.C.	kW
TM9V080B12MP12C	XAF/XAUB36D	0.98	1.02	0.95
TP9C080B12MP13C	XAF/XAUB36D	0.98	1.02	0.95
YP9C080B12MP13C	XAF/XAUB36D	0.98	1.02	0.95
TM9V060B12MP12C	XAFC36D	0.98	1.03	0.95
TP9C060B12MP13C	XAFC36D	0.98	1.03	0.95
YP9C060B12MP13C	XAFC36D	0.98	1.03	0.95
TM9Y080B12MP11	XAF/XAUB36D	0.98	1.03	0.95
TMLE040A12MP11	XAFA30D	0.97	1.00	0.94
TL9E060B12UH11	XAF/XAUB36D	0.97	1.01	0.94
TM9E060A10MP12	XAF/XAUB36D	0.98	1.03	0.97
TM9E040A10MP12	XAFA30D	0.96	0.99	0.98
TM9E026A08MP12	XAF/XAUB36D	0.96	1.00	0.98
TM9E026A08MP12	XAFA30D	0.95	0.98	1.00
TM8Y060A12MP11	XAFA30D	0.97	1.01	0.96
TM8E040A12MP11	XAFA30D	0.97	1.00	0.94
YPLC080B12MP13C	XAF/XAUB36D	0.97	1.00	0.94
TM8E100B12MP11	XAFC36D	0.98	1.01	0.93
TMLE100B12MP11	XAFC36D	0.98	1.01	0.93
TM8E040A12MP11	XAF/XAUB36D	0.98	1.03	0.95
TMLE040A12MP11	XAF/XAUB36D	0.98	1.03	0.95
TM9V080B12MP12C	XAFC36D	0.98	1.02	0.95
TP9C080B12MP13C	XAFC36D	0.98	1.02	0.95
YP9C080B12MP13C	XAFC36D	0.98	1.02	0.95
TM8V080B12MP12C	XAF/XAUB36D	0.97	1.00	0.94
TPLC080B12MP13C	XAF/XAUB36D	0.97	1.00	0.94
TM9E040A10MP12	XAF/XAUB36D	0.96	1.00	0.98
TL9E060B12UH11	XAFC36D	0.97	1.01	0.94
TL8E060A12UH11	XAFA30D	0.97	1.00	0.94
TM9Y060B12MP11	XAF/XAUB36D	0.97	1.01	0.94
TM9Y040A10MP11	XAF/XAUB36D	0.95	0.97	0.97
TM9Y040A10MP11	XAFA30D	0.95	0.96	1.00
TM9V040A10MP12C	XAF/XAUB36D	0.97	1.01	0.99
TM9V040A10MP12C	XAFA30D	0.96	1.00	1.01
TM9E060A10MP12	XAFA30D	0.97	1.01	0.96
TM9Y060B12MP11	XAFC36D	0.97	1.01	0.94

## Heating performance data - 2 ton

**Table 13: Heating performance data - 2 ton - air temperature (°F) entering outdoor unit**

Outdoor unit model: HMM72B241S										
Air temperature (°F)		ID CFM								
		600			800			1000		
Entering outdoor unit	Entering indoor coil	MBH	COP	kW	MBH	COP	kW	MBH	COP	kW
60	60	24.6	3.61	2.00	26.7	3.89	2.01	28.7	4.17	2.02
	70	22.8	3.31	2.02	24.2	3.61	1.96	25.6	3.94	1.90
	80	24.2	2.87	2.47	27.4	3.34	2.40	30.5	3.83	2.34
47	60	22.6	3.16	2.10	24.1	3.43	2.06	25.6	3.72	2.01
	70	20.9	2.91	2.10	22.1	3.14	2.06	23.2	3.38	2.01
	80	22.1	2.55	2.54	24.8	2.92	2.49	27.4	3.30	2.43
40	60	21.5	2.93	2.15	22.7	3.20	2.08	23.9	3.48	2.01
	70	19.8	2.71	2.15	20.9	2.91	2.11	22.0	3.11	2.07
	80	20.9	2.38	2.58	23.4	2.70	2.53	25.8	3.04	2.48

**Table 13: Heating performance data - 2 ton - air temperature (°F) entering outdoor unit**

Outdoor unit model: HMM72B241S										
Air temperature (°F)		ID CFM								
Entering outdoor unit	Entering indoor coil	600			800			1000		
		MBH	COP	kW	MBH	COP	kW	MBH	COP	kW
30	60	19.9	2.63	2.22	20.7	2.87	2.11	21.4	3.14	2.00
	70	18.4	2.44	2.21	19.3	2.59	2.18	20.2	2.74	2.16
	80	19.3	2.15	2.63	21.3	2.41	2.60	23.4	2.68	2.56
17	60	17.9	2.26	2.32	18.1	2.46	2.16	18.3	2.68	2.00
	70	16.4	2.10	2.29	17.2	2.21	2.28	17.9	2.31	2.27
	80	17.2	1.86	2.71	18.7	2.05	2.68	20.3	2.24	2.65
10	60	16.8	2.08	2.37	16.7	2.24	2.18	16.6	2.44	1.99
	70	15.4	1.93	2.33	16.0	2.01	2.33	16.7	2.09	2.33
	80	16.0	1.71	2.75	17.3	1.86	2.73	18.7	2.02	2.71
0	60	15.2	1.83	2.44	14.7	1.94	2.21	14.2	2.09	1.99
	70	13.9	1.70	2.40	14.4	1.75	2.41	14.9	1.80	2.42
	80	14.4	1.50	2.80	15.3	1.61	2.79	16.3	1.72	2.78

**Note:**

- All capacities include indoor fan heat. kW values are for the system (outdoor + indoor).

Multipliers for determining the performance with other indoor sections

**Table 14: Coil multipliers - 2 ton heating**

Air handler	Coil	MBH	COP	kW
AE36BX21	—	0.99	1.06	0.94
AE36BX21	—	0.99	1.06	0.94
AE36CX21	—	1.00	1.07	0.93
AE36CX21	—	1.00	1.07	0.93
AVC36BX21	—	0.98	1.04	0.94
AVC36BX21	—	0.98	1.04	0.94
AVC36CX21	—	0.98	1.07	0.92
AVC36CX21	—	0.98	1.07	0.92
ME08BN21	CF/CM36B	0.97	1.02	0.95
ME08BN21	XAF/XAUB36D	0.95	1.00	0.95
ME08BN21	XAHB36D	0.95	1.01	0.94
MVC12BN21	CF/CM36B	0.98	1.06	0.92
MVC12BN21	XAF/XAUB36D	0.96	1.04	0.92
MVC12BN21	XAHB36D	0.95	1.02	0.93
ME12CN21	CF/CM36C	0.98	1.06	0.93
ME12CN21	XAFC36D	0.95	1.02	0.93
MVC12CN21	XAHC36D	0.95	1.03	0.92
MVC12CN21	CF/CM36C	0.98	1.08	0.91
MVC12CN21	XAFC36D	0.96	1.05	0.91
JHETB30DXXS2N1	—	0.98	1.06	0.93
JHETB36DXXS2N1	—	0.96	1.03	0.93
JHETC36DXXS2N1	—	0.95	1.04	0.92
JHVTB36DXXC2N1	—	0.95	1.02	0.93
JHVTC36DXXC2N1	—	0.95	1.04	0.92
JMET08BS2N1A	XAHB36D	0.95	0.99	0.96
JMET08BS2N1A	XAF/XAUB36D	0.95	1.02	0.93
JMET12BS2N1A	XAHB36D	0.95	0.99	0.96
JMET12BS2N1A	XAF/XAUB36D	0.95	1.02	0.93
JMVT12BC2N1A	XAHB36D	0.95	1.00	0.95
JMVT12BC2N1A	XAF/XAUB36D	0.95	1.01	0.95

**Table 15: Furnace multipliers - 2 ton heating**

Furnace	Coil	MBH	COP	kW
TL9E060B12UH11	XAHC36D	0.95	0.99	0.96
TL8E060A12UH11	XAHB36D	0.95	0.99	0.96
TM9E026A08MP12	XAHB36D	0.96	0.96	1.00
TM8Y080B12MP11	XAHC36D	0.95	0.99	0.96
TM8Y080B12MP11	XAHB36D	0.95	0.98	0.97
TM8V080B12MP12C	XAHC36D	0.95	0.99	0.96
TPLC080B12MP13C	XAHC36D	0.95	0.99	0.96
YPLC080B12MP13C	XAHC36D	0.95	0.99	0.96
YP9C080B12MP13C	XAHC36D	0.95	1.00	0.95
TM9V080B12MP12C	XAHB36D	0.95	0.99	0.96
TP9C080B12MP13C	XAHB36D	0.95	0.99	0.96
YP9C080B12MP13C	XAHB36D	0.95	0.99	0.96
TM9E060A10MP12	XAHB36D	0.95	0.98	0.97
TM9E040A10MP12	XAHB36D	0.96	0.97	0.99
TM9Y060B12MP11	XAHC36D	0.95	0.99	0.96
TM9Y060B12MP11	XAHB36D	0.95	0.97	0.98
TM9Y040A10MP11	XAHB36D	0.95	0.94	1.02
TM9V080B12MP12C	XAHC36D	0.95	1.00	0.95
TP9C080B12MP13C	XAHC36D	0.95	1.00	0.95
TMLE040A12MP11	XAHB36D	0.95	0.99	0.96
TL9E060B12UH11	XAHB36D	0.95	0.97	0.98
YP9C060B12MP13C	XAHB36D	0.96	0.99	0.97
TM9V040A10MP12C	XAHB36D	0.97	0.97	1.00
TM8V080B12MP12C	XAHB36D	0.95	0.98	0.97
TPLC080B12MP13C	XAHB36D	0.95	0.98	0.97
YPLC080B12MP13C	XAHB36D	0.95	0.98	0.97
TM8E040A12MP11	XAHB36D	0.95	0.99	0.96
TM9Y080B12MP11	XAHB36D	0.95	0.99	0.96
TM9V060B12MP12C	XAHC36D	0.95	1.00	0.95
TP9C060B12MP13C	XAHC36D	0.95	1.00	0.95
YP9C060B12MP13C	XAHC36D	0.95	1.00	0.95
TM9V060B12MP12C	XAHB36D	0.96	0.99	0.97
TP9C060B12MP13C	XAHB36D	0.96	0.99	0.97
TM9Y060B12MP11	CU/CU/CF/CM36C	1.00	1.04	0.96
TM9Y060B12MP11	CF/CM/CU36B	1.00	1.04	0.96
TM8Y080B12MP11	CF/CM/CU36B	0.98	1.02	0.96
TM8Y060A12MP11	CF/CM36A	0.97	1.00	0.97
TM8Y080B12MP11	CF/CM36C	0.98	1.04	0.94
TL8E060A12UH11	CF/CM36A	0.98	1.02	0.96
TL9E060B12UH11	CF/CM/CU36B	0.99	1.02	0.96
TL8E060A12UH11	CF/CM/CU36B	0.99	1.04	0.95
TL9E060B12UH11	CU/CU/CF/CM36C	1.00	1.04	0.96
TM9V060B12MP12C	CF/CM/CU36B	1.00	1.04	0.96
TP9C060B12MP13C	CF/CM/CU36B	1.00	1.04	0.96
YP9C060B12MP13C	CF/CM/CU36B	1.00	1.04	0.96
TM9V040A10MP12C	CF/CM/CU36B	1.01	1.01	0.99
TM9V040A10MP12C	CF/CM36A	1.01	1.01	1.00
TM9E040A10MP12	CF/CM/CU36B	0.99	1.00	0.99
TM9V080B12MP12C	CU/CU/CF/CM36C	0.98	1.04	0.94
TP9C080B12MP13C	CU/CU/CF/CM36C	0.98	1.04	0.94
YP9C080B12MP13C	CU/CU/CF/CM36C	0.98	1.04	0.94
TM9V080B12MP12C	CF/CM/CU36B	0.99	1.04	0.95
TP9C080B12MP13C	CF/CM/CU36B	0.99	1.04	0.95

**Table 15: Furnace multipliers - 2 ton heating**

Furnace	Coil	MBH	COP	kW
YP9C080B12MP13C	CF/CM/CU36B	0.99	1.04	0.95
TM8Y060A12MP11	CF/CM/CU36B	0.98	1.01	0.97
TMLV060A12MP12C	CF/CM36A	0.96	0.98	0.98
TPLC060A12MP13C	CF/CM36A	0.96	0.98	0.98
YPLC060A12MP13C	CF/CM36A	0.96	0.98	0.98
TM8E040A12MP11	CF/CM36A	0.98	1.02	0.96
TMLE040A12MP11	CF/CM36A	0.98	1.02	0.96
YPLC080B12MP13C	CF/CM/CU36B	0.98	1.02	0.96
TM8V060A12MP12C	CF/CM/CU36B	0.95	0.99	0.96
TMLV060A12MP12C	CF/CM/CU36B	0.95	0.99	0.96
TPLC060A12MP13C	CF/CM/CU36B	0.95	0.99	0.96
YPLC060A12MP13C	CF/CM/CU36B	0.95	0.99	0.96
TM8V060A12MP12C	CF/CM36A	0.96	0.98	0.98
TM8V080B12MP12C	CU/CU/CF/CM36C	0.98	1.02	0.96
TPLC080B12MP13C	CU/CU/CF/CM36C	0.98	1.02	0.96
YPLC080B12MP13C	CU/CU/CF/CM36C	0.98	1.02	0.96
TM8V080B12MP12C	CF/CM/CU36B	0.98	1.02	0.96
TPLC080B12MP13C	CF/CM/CU36B	0.98	1.02	0.96
TMLV100C16MP12C	CU/CU/CF/CM36C	0.99	1.06	0.94
TPLC080C16MP13C	CU/CU/CF/CM36C	0.99	1.06	0.94
TPLC100C16MP13C	CU/CU/CF/CM36C	0.99	1.06	0.94
YPLC080C16MP13C	CU/CU/CF/CM36C	0.99	1.06	0.94
YPLC100C16MP13C	CU/CU/CF/CM36C	0.99	1.06	0.94
TM9E060A10MP12	CF/CM36A	1.00	1.01	0.99
TM9E040A10MP12	CF/CM36A	1.00	1.00	1.00
TM9E026A08MP12	CF/CM/CU36B	1.01	1.01	0.99
TM9E026A08MP12	CF/CM36A	1.01	0.99	1.01
TM8V100C16MP12C	CU/CU/CF/CM36C	0.99	1.06	0.94
TM8V080C16MP12C	CU/CU/CF/CM36C	0.99	1.06	0.94
TM9V060B12MP12C	CU/CU/CF/CM36C	0.99	1.04	0.95
TP9C060B12MP13C	CU/CU/CF/CM36C	0.99	1.04	0.95
YP9C060B12MP13C	CU/CU/CF/CM36C	0.99	1.04	0.95
TM8V080B12MP12C	XAFC36D	0.96	1.01	0.96
TPLC080B12MP13C	XAFC36D	0.96	1.01	0.96
YPLC080B12MP13C	XAFC36D	0.96	1.01	0.96
TL8E060A12UH11	XAF/XAUB36D	0.96	1.02	0.94
TM9V060B12MP12C	XAF/XAUB36D	0.97	1.02	0.95
TP9C060B12MP13C	XAF/XAUB36D	0.97	1.02	0.95
YP9C060B12MP13C	XAF/XAUB36D	0.97	1.02	0.95
TM8Y080B12MP11	XAFC36D	0.95	1.01	0.94
TM8Y080B12MP11	XAF/XAUB36D	0.95	1.01	0.94
TM8Y060A12MP11	XAF/XAUB36D	0.95	0.99	0.96
TM9V080B12MP12C	XAF/XAUB36D	0.96	1.02	0.94
TP9C080B12MP13C	XAF/XAUB36D	0.96	1.02	0.94
YP9C080B12MP13C	XAF/XAUB36D	0.96	1.02	0.94
TM9V060B12MP12C	XAFC36D	0.97	1.02	0.95
TP9C060B12MP13C	XAFC36D	0.97	1.02	0.95
YP9C060B12MP13C	XAFC36D	0.97	1.02	0.95
TM9Y080B12MP11	XAF/XAUB36D	0.97	1.02	0.95
TMLE040A12MP11	XAFA30D	0.96	1.01	0.96
TL9E060B12UH11	XAF/XAUB36D	0.97	1.01	0.96
TM9E060A10MP12	XAF/XAUB36D	0.98	1.01	0.97
TM9E040A10MP12	XAFA30D	0.97	0.97	1.00

**Table 15: Furnace multipliers - 2 ton heating**

Furnace	Coil	MBH	COP	kW
TM9E026A08MP12	XAF/XAUB36D	0.98	0.99	0.99
TM9E026A08MP12	XAFA30D	0.98	0.97	1.01
TM8Y060A12MP11	XAFA30D	0.98	1.01	0.97
TM8E040A12MP11	XAFA30D	0.96	1.01	0.96
YPLC080B12MP13C	XAF/XAUB36D	0.96	1.01	0.96
TM8E100B12MP11	XAFC36D	0.95	1.01	0.94
TMLE100B12MP11	XAFC36D	0.95	1.01	0.94
TM8E040A12MP11	XAF/XAUB36D	0.97	1.03	0.94
TMLE040A12MP11	XAF/XAUB36D	0.97	1.03	0.94
TM9V080B12MP12C	XAFC36D	0.96	1.02	0.94
TP9C080B12MP13C	XAFC36D	0.96	1.02	0.94
YP9C080B12MP13C	XAFC36D	0.96	1.02	0.94
TM8V080B12MP12C	XAF/XAUB36D	0.96	1.01	0.96
TPLC080B12MP13C	XAF/XAUB36D	0.96	1.01	0.96
TM9E040A10MP12	XAF/XAUB36D	0.98	0.99	0.99
TL9E060B12UH11	XAFC36D	0.97	1.01	0.96
TL8E060A12UH11	XAFA30D	0.96	1.01	0.96
TM9Y060B12MP11	XAF/XAUB36D	0.97	1.01	0.96
TM9Y040A10MP11	XAF/XAUB36D	0.97	0.97	1.00
TM9Y040A10MP11	XAFA30D	0.96	0.95	1.01
TM9V040A10MP12C	XAF/XAUB36D	0.98	1.00	0.98
TM9V040A10MP12C	XAFA30D	0.99	0.99	1.00
TM9E060A10MP12	XAFA30D	0.97	1.00	0.97
TM9Y060B12MP11	XAFC36D	0.97	1.01	0.96



# Performance data - 3 ton

## Cooling performance data - 3 ton

**Table 16: Cooling performance data - 3 ton - air temperature (°F) entering outdoor unit**

Outdoor unit model: HMM72B361S																	
Air temp (°F)	ID CFM	900					1200					1500					
		ID DB (°F)	80	80	75	80	80	80	80	75	80	80	80	80	75	80	80
		ID WB (°F)	57	62	62	67	72	57	62	62	67	72	57	62	62	67	72
55	T.C.	31.3	37.1	38.1	41.6	45.5	36.7	39.2	39.7	43.2	46.9	40.0	41.2	41.2	44.8	48.3	
	S.C.	31.3	30.1	26.4	26.4	21.7	36.7	34.8	29.8	29.8	24.0	40.0	39.4	33.1	33.2	26.3	
	kW	2.07	2.46	2.47	2.50	2.53	2.59	2.59	2.60	2.62	2.65	2.70	2.72	2.73	2.75	2.77	
65	T.C.	30.8	35.7	36.5	39.8	43.6	35.6	37.6	37.9	41.3	44.9	38.5	39.5	39.4	42.7	46.2	
	S.C.	30.8	29.6	25.8	25.8	21.0	35.6	34.2	29.2	29.2	23.4	38.5	38.7	32.6	32.6	25.7	
	kW	2.46	2.78	2.79	2.83	2.88	2.91	2.91	2.92	2.96	3.00	3.03	3.05	3.06	3.09	3.13	
75	T.C.	30.3	34.3	34.9	38.1	41.7	34.3	36.0	36.2	39.4	42.9	37.0	37.7	37.5	40.7	44.0	
	S.C.	30.3	29.0	25.1	25.1	20.4	34.3	33.4	28.6	28.5	22.7	37.0	37.7	32.0	32.0	25.1	
	kW	2.85	3.09	3.11	3.17	3.22	3.24	3.24	3.25	3.30	3.35	3.36	3.38	3.39	3.44	3.49	
85	T.C.	29.8	32.9	33.2	36.3	39.8	33.1	34.4	34.4	37.5	40.8	35.4	35.9	35.6	38.7	41.8	
	S.C.	29.8	28.4	24.4	24.4	19.7	33.1	32.2	27.9	27.8	22.0	35.4	35.9	31.3	31.2	24.4	
	kW	3.25	3.41	3.42	3.50	3.57	3.56	3.56	3.57	3.64	3.71	3.69	3.71	3.71	3.78	3.84	
95	T.C.	29.3	31.5	31.6	34.6	37.9	31.8	32.8	32.7	35.6	38.8	33.9	34.1	33.7	36.7	39.7	
	S.C.	29.3	27.8	23.7	23.6	19.0	31.8	31.0	27.1	27.0	21.3	33.9	34.1	30.5	30.4	23.6	
	kW	3.64	3.73	3.74	3.84	3.91	3.88	3.88	3.89	3.98	4.06	4.03	4.04	4.04	4.13	4.20	
105	T.C.	28.8	30.1	30.0	32.8	36.0	30.5	31.2	30.9	33.7	36.7	32.4	32.4	31.8	34.6	37.5	
	S.C.	28.8	27.1	22.9	22.8	18.2	30.5	29.7	26.2	26.1	20.5	32.4	32.4	29.6	29.5	22.8	
	kW	4.03	4.04	4.06	4.17	4.26	4.21	4.21	4.21	4.32	4.41	4.36	4.37	4.37	4.47	4.55	
115	T.C.	20.8	23.9	21.9	23.2	27.9	24.4	24.8	22.2	23.4	26.8	22.9	25.6	22.6	23.5	25.7	
	S.C.	20.8	23.5	18.6	23.2	15.6	24.4	24.5	20.6	23.4	16.9	22.9	25.6	22.6	23.5	18.2	
	kW	3.00	3.60	3.19	3.11	3.42	3.66	3.66	3.32	3.23	3.46	3.27	3.73	3.45	3.35	3.51	

**Note:**

- All capacities include indoor fan heat. kW values are for the system (outdoor + indoor).
- Drive output is limited in the shaded area. Performance may vary and interpolation is not permissible.

### Multipliers for determining the performance with other indoor sections

**Table 17: Coil multipliers - 3 ton cooling**

Air handler	Coil	T.C.	S.C.	kW
AE36BX21	—	1.01	0.98	1.00
AE36BX21	—	1.01	0.98	1.00
AE36CX21	—	1.01	0.98	0.90
AE36CX21	—	1.01	0.98	0.90
AVC36BX21	—	1.01	0.98	1.00
AVC36BX21	—	1.01	0.98	1.00
AVC36CX21	—	1.01	0.97	0.98
AVC36CX21	—	1.01	0.97	0.98
ME08BN21	CF/CM36B	0.98	0.86	0.94
ME12BN21	CF/CM36B	1.01	0.96	1.00
ME12BN21	XAF/XAUB36D	1.00	0.95	0.97
ME12BN21	XAHB36D	0.98	0.92	0.97
ME16CN21	CF/CM36C	1.00	0.93	0.97
ME16CN21	XAFC36D	1.01	0.99	0.98

**Table 17: Coil multipliers - 3 ton cooling**

Air handler	Coil	T.C.	S.C.	kW
ME16CN21	XAHC36D	0.99	0.96	0.98
MVC12BN21	CF/CM36B	1.01	0.96	1.00
MVC12BN21	XAF/XAUB36D	1.01	0.96	0.97
MVC12BN21	XAHB36D	0.98	0.93	1.00
MVC16CN21	CF/CM36C	1.01	0.99	0.98
MVC16CN21	XAFC36D	1.01	0.98	0.98
MVC16CN21	XAHC36D	0.99	0.96	0.99
ME12CN21	CF/CM36C	1.01	0.97	0.98
ME12CN21	XAFC36D	1.01	0.97	0.98
ME12CN21	XAHC36D	0.99	0.95	0.98
MVC12CN21	CF/CM36C	1.01	0.96	0.98
MVC12CN21	XAFC36D	1.01	0.96	0.95
MVC12CN21	XAHC36D	0.99	0.94	0.98
JHETB36DXXS2N1	—	1.01	0.98	1.00
JHETC36DXXS2N1	—	0.98	0.89	0.95
JHVTB36DXXC2N1	—	1.01	0.98	1.00
JHVTC36DXXC2N1	—	1.01	0.96	0.95
JMET12CS2N1A	XAFC36D	1.01	0.97	0.98
JMET12CS2N1A	XAHC36D	0.99	0.94	0.98
JMET16CS2N1A	XAHC36D	0.99	0.96	0.99
JMET16CS2N1A	XAFC36D	0.99	0.92	0.96
JMVT12BC2N1A	XAF/XAUB36D	1.00	0.94	0.97
JMVT12BC2N1A	XAHB36D	0.97	0.91	0.97
JMVT16CC2N1A	XAHC36D	0.98	0.93	0.98
JMVT16CC2N1A	XAFC36D	1.01	0.95	0.97

**Table 18: Furnace multipliers - 3 ton cooling**

Furnace	Coil	T.C.	S.C.	kW
TM9Y080B12MP11	XAF/XAUB36D	0.98	0.91	1.00
TM9Y060B12MP11	XAFC36D	0.98	0.90	1.00
TM9V100C20MP12C	XAFC36D	1.01	0.98	1.00
TP9C100C20MP13C	XAFC36D	1.01	0.98	1.00
YP9C100C20MP13C	XAFC36D	1.01	0.98	1.00
TM9V080B12MP12C	XAFC36D	0.99	0.93	1.01
TL8E060A12UH11	XAHB36D	0.96	0.90	1.01
TMLE100B12MP11	XAHB36D	0.97	0.90	1.02
TM8E080B12MP11	XAHB36D	0.96	0.90	1.01
TMLE080B12MP11	XAHB36D	0.96	0.90	1.01
TM8E060A12MP11	XAHB36D	0.97	0.90	1.02
TMLE060A12MP11	XAHB36D	0.97	0.90	1.02
TL8E080C16UH11	XAHC36D	0.98	0.93	1.00
YPLC080B12MP13C	XAHC36D	0.95	0.88	1.00
TM8E120C16MP11	XAHC36D	0.98	0.94	0.98
TMLE120C16MP11	XAHC36D	0.98	0.94	0.98
TM8E100C16MP11	XAHC36D	0.98	0.94	0.98
TMLE100C16MP11	XAHC36D	0.98	0.94	0.98
TM8E100B12MP11	XAHB36D	0.97	0.90	1.02
TM9E060B12MP12	XAHC36D	0.95	0.87	1.00
TM9E060B12MP12	XAHB36D	0.95	0.86	1.00
TM8Y120C20MP11	XAHC36D	0.98	0.92	0.97
TM8Y080B12MP11	XAHC36D	0.97	0.90	0.99
TM8V080B12MP12C	XAHC36D	0.95	0.88	1.00
TPLC080B12MP13C	XAHC36D	0.95	0.88	1.00

**Table 18: Furnace multipliers - 3 ton cooling**

Furnace	Coil	T.C.	S.C.	kW
YP9C080B12MP13C	XAHC36D	0.97	0.90	1.02
TM9V060B12MP12C	XAHB36D	0.95	0.88	1.00
TP9C060B12MP13C	XAHB36D	0.95	0.88	1.00
YP9C060B12MP13C	XAHB36D	0.95	0.88	1.00
TM9E100C16MP12	XAHC36D	0.98	0.93	1.00
TM9E080B12MP12	XAHC36D	0.97	0.92	1.02
TM9Y060B12MP11	XAHB36D	0.94	0.82	0.96
TM9V100C16MP12C	XAHC36D	0.99	0.96	1.01
TP9C100C16MP13C	XAHC36D	0.99	0.96	1.01
YP9C100C16MP13C	XAHC36D	0.99	0.96	1.01
TM9V080B12MP12C	XAHC36D	0.97	0.90	1.02
TP9C080B12MP13C	XAHC36D	0.97	0.90	1.02
TM9Y080B12MP11	XAHB36D	0.95	0.88	1.00
TM9Y060B12MP11	XAHC36D	0.95	0.88	1.00
TMLE080B12MP11	XAHC36D	0.97	0.92	0.99
TM8E040A12MP11	XAHB36D	0.97	0.90	0.99
TMLE040A12MP11	XAHB36D	0.97	0.90	0.99
TL9E080C16UH11	XAHC36D	0.98	0.93	1.00
TL9E060B12UH11	XAHC36D	0.95	0.86	0.97
TL9E060B12UH11	XAHB36D	0.94	0.84	0.99
YPLC080B12MP13C	XAHB36D	0.94	0.85	0.99
TM8E100B12MP11	XAHC36D	0.97	0.92	0.99
TMLE100B12MP11	XAHC36D	0.97	0.92	0.99
TM8E080C16MP11	XAHC36D	0.98	0.93	0.98
TMLE080C16MP11	XAHC36D	0.98	0.93	0.98
TM8E080B12MP11	XAHC36D	0.97	0.92	0.99
TPLC080C16MP13C	XAHC36D	0.98	0.95	1.00
TPLC100C16MP13C	XAHC36D	0.98	0.95	1.00
YPLC080C16MP13C	XAHC36D	0.98	0.95	1.00
YPLC100C16MP13C	XAHC36D	0.98	0.95	1.00
TM8V080B12MP12C	XAHB36D	0.94	0.85	0.99
TPLC080B12MP13C	XAHB36D	0.94	0.85	0.99
TM8Y080C16MP11	XAHC36D	0.97	0.90	0.97
TM8Y080B12MP11	XAHB36D	0.96	0.89	0.98
TM8Y060A12MP11	XAHB36D	0.95	0.87	1.00
TM8V100C16MP12C	XAHC36D	0.98	0.95	1.00
TM8V080C16MP12C	XAHC36D	0.98	0.95	1.00
TMLV100C16MP12C	XAHC36D	0.98	0.95	1.00
TM9V040A10MP12C	XAHB36D	0.93	0.82	0.98
TM9E080C16MP12	XAHC36D	0.98	0.93	1.00
TM9E080B12MP12	XAHB36D	0.97	0.90	1.02
TM9E060A10MP12	XAHB36D	0.94	0.85	0.99
TM8Y100C20MP11	XAHC36D	0.98	0.92	0.97
TM8Y100C16MP11	XAHC36D	0.97	0.90	0.97
TM9V080B12MP12C	XAHB36D	0.96	0.89	0.98
TP9C080B12MP13C	XAHB36D	0.96	0.89	0.98
YP9C080B12MP13C	XAHB36D	0.96	0.89	0.98
TM9V060B12MP12C	XAHC36D	0.96	0.89	1.01
TP9C060B12MP13C	XAHC36D	0.96	0.89	1.01
YP9C060B12MP13C	XAHC36D	0.96	0.89	1.01
TM9V100C20MP12C	XAHC36D	0.99	0.97	1.02
TP9C100C20MP13C	XAHC36D	0.99	0.97	1.02
YP9C100C20MP13C	XAHC36D	0.99	0.97	1.02

**Table 18: Furnace multipliers - 3 ton cooling**

Furnace	Coil	T.C.	S.C.	kW
TM9V080C16MP12C	XAHC36D	0.98	0.93	1.00
TP9C080C16MP13C	XAHC36D	0.98	0.93	1.00
YP9C080C16MP13C	XAHC36D	0.98	0.93	1.00
TM9Y060B12MP11	CU/CU/CF/CM36C	0.99	0.92	1.01
TM9Y100C16MP11	XAHC36D	0.98	0.93	1.00
TM9Y080C16MP11	XAHC36D	0.98	0.93	1.00
TM9Y080B12MP11	XAHC36D	0.96	0.89	1.01
TM9Y080C16MP11	CU/CU/CF/CM36C	1.01	0.97	1.03
TM9Y080B12MP11	CF/CM/CU36B	0.99	0.93	1.01
TM8Y080C16MP11	CF/CM36C	1.00	0.94	0.99
TM8Y060A12MP11	CF/CM/CU36B	0.99	0.92	1.01
TM8Y060A12MP11	CF/CM36A	0.98	0.90	1.00
TMLE080B12MP11	CF/CM/CU36B	0.99	0.95	1.02
TM8E040A12MP11	CF/CM36A	0.98	0.91	1.00
TMLE040A12MP11	CF/CM36A	0.98	0.91	1.00
TL9E080C16UH11	CU/CU/CF/CM36C	1.01	0.97	1.00
TL8E060A12UH11	CF/CM/CU36B	0.99	0.95	1.02
TL8E060A12UH11	CF/CM36A	0.98	0.92	1.03
TM8V080B12MP12C	CF/CM/CU36B	0.98	0.91	1.00
TPLC080B12MP13C	CF/CM/CU36B	0.98	0.91	1.00
YPLC080B12MP13C	CF/CM/CU36B	0.98	0.91	1.00
TM8E100B12MP11	CF/CM/CU36B	1.00	0.96	1.02
TMLE100B12MP11	CF/CM/CU36B	1.00	0.96	1.02
TM8E080B12MP11	CF/CM/CU36B	0.99	0.95	1.02
TM9E080B12MP12	CU/CU/CF/CM36C	1.00	0.96	1.02
TM9E060B12MP12	CU/CU/CF/CM36C	0.99	0.95	1.05
TM9E060A10MP12	CF/CM/CU36B	0.98	0.91	1.03
TM8V080B12MP12C	CU/CU/CF/CM36C	0.98	0.90	1.00
TPLC080B12MP13C	CU/CU/CF/CM36C	0.98	0.90	1.00
YPLC080B12MP13C	CU/CU/CF/CM36C	0.98	0.90	1.00
YP9C080B12MP13C	CF/CM/CU36B	0.99	0.94	1.02
TM9V060B12MP12C	CF/CM/CU36B	0.98	0.90	1.00
TP9C060B12MP13C	CF/CM/CU36B	0.98	0.90	1.00
YP9C060B12MP13C	CF/CM/CU36B	0.98	0.90	1.00
TM9V040A10MP12C	CF/CM/CU36B	0.97	0.85	0.99
TM9E100C16MP12	CU/CU/CF/CM36C	1.01	0.99	1.00
YP9C100C20MP13C	CU/CU/CF/CM36C	1.01	0.99	1.00
TM9V100C16MP12C	CU/CU/CF/CM36C	1.01	0.99	1.00
TP9C100C16MP13C	CU/CU/CF/CM36C	1.01	0.99	1.00
YP9C100C16MP13C	CU/CU/CF/CM36C	1.01	0.99	1.00
TM9V080B12MP12C	CF/CM/CU36B	0.99	0.94	1.02
TP9C080B12MP13C	CF/CM/CU36B	0.99	0.94	1.02
TM9Y100C16MP11	CU/CU/CF/CM36C	1.00	0.94	0.99
TM9Y080B12MP11	CU/CU/CF/CM36C	0.99	0.94	1.02
TM9Y060B12MP11	CF/CM/CU36B	0.98	0.90	1.03
TM9V100C20MP12C	CU/CU/CF/CM36C	1.01	0.99	1.00
TP9C100C20MP13C	CU/CU/CF/CM36C	1.01	0.99	1.00
TM8Y080B12MP11	CF/CM36C	1.00	0.96	1.02
TM8Y080B12MP11	CF/CM/CU36B	0.99	0.94	1.02
TL9E060B12UH11	CU/CU/CF/CM36C	0.99	0.95	1.05
TL9E060B12UH11	CF/CM/CU36B	0.98	0.89	1.00
TL8E080C16UH11	CU/CU/CF/CM36C	0.98	0.92	0.95
TM8E060A12MP11	CF/CM/CU36B	1.00	0.96	1.02

**Table 18: Furnace multipliers - 3 ton cooling**

Furnace	Coil	T.C.	S.C.	kW
TMLE060A12MP11	CF/CM/CU36B	1.00	0.96	1.02
TM8E060A12MP11	CF/CM36A	0.98	0.92	1.00
TMLE060A12MP11	CF/CM36A	0.98	0.92	1.00
TM8E040A12MP11	CF/CM/CU36B	1.00	0.96	1.02
TMLE040A12MP11	CF/CM/CU36B	1.00	0.96	1.02
TM8E100B12MP11	CU/CU/CF/CM36C	1.01	0.97	1.00
TMLE100B12MP11	CU/CU/CF/CM36C	1.01	0.97	1.00
TM8E080C16MP11	CU/CU/CF/CM36C	1.01	0.99	1.00
TMLE080C16MP11	CU/CU/CF/CM36C	1.01	0.99	1.00
TM8E080B12MP11	CU/CU/CF/CM36C	1.00	0.96	1.02
TMLE080B12MP11	CU/CU/CF/CM36C	1.00	0.96	1.02
TPLC060A12MP13C	CF/CM36A	0.98	0.89	1.00
YPLC060A12MP13C	CF/CM36A	0.98	0.89	1.00
TM8E120C16MP11	CU/CU/CF/CM36C	1.01	0.99	1.00
TMLE120C16MP11	CU/CU/CF/CM36C	1.01	0.99	1.00
TM8E100C16MP11	CU/CU/CF/CM36C	1.01	0.99	1.00
TMLE100C16MP11	CU/CU/CF/CM36C	1.01	0.99	1.00
TM8V060A12MP12C	CF/CM/CU36B	1.00	0.97	1.02
TMLV060A12MP12C	CF/CM/CU36B	1.00	0.97	1.02
TPLC060A12MP13C	CF/CM/CU36B	1.00	0.97	1.02
YPLC060A12MP13C	CF/CM/CU36B	1.00	0.97	1.02
TM8V060A12MP12C	CF/CM36A	0.98	0.89	1.00
TMLV060A12MP12C	CF/CM36A	0.98	0.89	1.00
TM8V080C16MP12C	CU/CU/CF/CM36C	1.01	0.99	1.00
TMLV100C16MP12C	CU/CU/CF/CM36C	1.01	0.99	1.00
TPLC080C16MP13C	CU/CU/CF/CM36C	1.01	0.99	1.00
TPLC100C16MP13C	CU/CU/CF/CM36C	1.01	0.99	1.00
YPLC080C16MP13C	CU/CU/CF/CM36C	1.01	0.99	1.00
YPLC100C16MP13C	CU/CU/CF/CM36C	1.01	0.99	1.00
TMLV120C20MP12C	CU/CU/CF/CM36C	1.01	1.01	1.00
TPLC100C20MP13C	CU/CU/CF/CM36C	1.01	1.01	1.00
TPLC120C20MP13C	CU/CU/CF/CM36C	1.01	1.01	1.00
YPLC100C20MP13C	CU/CU/CF/CM36C	1.01	1.01	1.00
YPLC120C20MP13C	CU/CU/CF/CM36C	1.01	1.01	1.00
TM8V100C16MP12C	CU/CU/CF/CM36C	1.01	0.99	1.00
TM9E080C16MP12	CU/CU/CF/CM36C	1.01	0.98	1.00
TM9E080B12MP12	CF/CM/CU36B	0.99	0.95	1.02
TM9E060B12MP12	CF/CM/CU36B	0.98	0.90	1.00
TM9E060A10MP12	CF/CM36A	0.97	0.86	0.99
TM8V120C20MP12C	CU/CU/CF/CM36C	1.01	1.01	1.00
TM8V100C20MP12C	CU/CU/CF/CM36C	1.01	1.01	1.00
TP9C080B12MP13C	CU/CU/CF/CM36C	0.99	0.93	0.99
YP9C080B12MP13C	CU/CU/CF/CM36C	0.99	0.93	0.99
TM9V060B12MP12C	CU/CU/CF/CM36C	0.99	0.94	1.04
TP9C060B12MP13C	CU/CU/CF/CM36C	0.99	0.94	1.04
YP9C060B12MP13C	CU/CU/CF/CM36C	0.99	0.94	1.04
TM9V040A10MP12C	CF/CM36A	0.96	0.84	0.98
TM9V080C16MP12C	CU/CU/CF/CM36C	1.00	0.96	0.99
TP9C080C16MP13C	CU/CU/CF/CM36C	1.00	0.96	0.99
YP9C080C16MP13C	CU/CU/CF/CM36C	1.00	0.96	0.99
TM9V080B12MP12C	CU/CU/CF/CM36C	0.99	0.93	0.99
TM8E060A12MP11	XAFA30D	0.98	0.92	1.00
TMLE060A12MP11	XAFA30D	0.98	0.92	1.00

**Table 18: Furnace multipliers - 3 ton cooling**

Furnace	Coil	T.C.	S.C.	kW
TM8E040A12MP11	XAF/XAUB36D	0.99	0.93	0.99
TMLE040A12MP11	XAF/XAUB36D	0.99	0.93	0.99
TL9E060B12UH11	XAFC36D	0.97	0.88	0.99
TL8E080C16UH11	XAFC36D	1.01	0.96	1.00
TM8E120C16MP11	XAFC36D	1.01	0.96	1.00
TMLE120C16MP11	XAFC36D	1.01	0.96	1.00
TM8E080C16MP11	XAFC36D	1.01	0.96	0.97
TMLE080C16MP11	XAFC36D	1.01	0.96	0.97
TM8E080B12MP11	XAF/XAUB36D	0.99	0.94	1.02
TMLE080B12MP11	XAF/XAUB36D	0.99	0.94	1.02
TPLC080B12MP13C	XAFC36D	0.98	0.90	1.00
YPLC080B12MP13C	XAFC36D	0.98	0.90	1.00
TM8V060A12MP12C	XAF/XAUB36D	1.00	0.96	1.02
TMLV060A12MP12C	XAF/XAUB36D	1.00	0.96	1.02
TPLC060A12MP13C	XAF/XAUB36D	1.00	0.96	1.02
YPLC060A12MP13C	XAF/XAUB36D	1.00	0.96	1.02
TMLV100C16MP12C	XAFC36D	1.01	0.97	1.00
TPLC080C16MP13C	XAFC36D	1.01	0.97	1.00
TPLC100C16MP13C	XAFC36D	1.01	0.97	1.00
YPLC080C16MP13C	XAFC36D	1.01	0.97	1.00
YPLC100C16MP13C	XAFC36D	1.01	0.97	1.00
TM8V080B12MP12C	XAFC36D	0.98	0.90	1.00
TM8Y100C16MP11	XAFC36D	0.99	0.93	0.96
TM8Y080B12MP11	XAF/XAUB36D	0.99	0.93	0.98
TM8Y060A12MP11	XAF/XAUB36D	0.98	0.90	0.98
TM8Y060A12MP11	XAFA30D	0.97	0.89	0.99
TM8V100C16MP12C	XAFC36D	1.01	0.97	1.00
TM8V080C16MP12C	XAFC36D	1.01	0.97	1.00
TM9V060B12MP12C	XAF/XAUB36D	0.98	0.91	1.00
TP9C060B12MP13C	XAF/XAUB36D	0.98	0.91	1.00
YP9C060B12MP13C	XAF/XAUB36D	0.98	0.91	1.00
TM9V040A10MP12C	XAFA30D	0.95	0.83	0.97
TM9E080C16MP12	XAFC36D	1.00	0.95	0.99
TM8Y120C20MP11	XAFC36D	1.00	0.94	0.97
TM9V080C16MP12C	XAFC36D	1.00	0.95	0.99
TP9C080C16MP13C	XAFC36D	1.00	0.95	0.99
YP9C080C16MP13C	XAFC36D	1.00	0.95	0.99
TM9V080B12MP12C	XAF/XAUB36D	0.99	0.93	1.01
TP9C080B12MP13C	XAF/XAUB36D	0.99	0.93	1.01
YP9C080B12MP13C	XAF/XAUB36D	0.99	0.93	1.01
TM9Y080C16MP11	XAFC36D	1.00	0.95	0.99
TM9Y080B12MP11	XAFC36D	0.99	0.93	1.01
TM9Y060B12MP11	XAF/XAUB36D	0.98	0.90	1.00
TM9V100C16MP12C	XAFC36D	1.01	0.98	1.00
TP9C100C16MP13C	XAFC36D	1.01	0.98	1.00
YP9C100C16MP13C	XAFC36D	1.01	0.98	1.00
TM9Y100C16MP11	XAFC36D	1.00	0.95	0.99
TMLE040A12MP11	XAFA30D	0.98	0.91	1.00
TL9E080C16UH11	XAFC36D	1.00	0.95	0.99
TL9E060B12UH11	XAF/XAUB36D	0.97	0.87	0.99
TL8E060A12UH11	XAF/XAUB36D	0.99	0.93	1.01
TL8E060A12UH11	XAFA30D	0.98	0.92	1.00
TMLE100B12MP11	XAF/XAUB36D	0.99	0.94	0.99

**Table 18: Furnace multipliers - 3 ton cooling**

Furnace	Coil	T.C.	S.C.	kw
TM8E080B12MP11	XAFC36D	0.99	0.94	1.02
TMLE080B12MP11	XAFC36D	0.99	0.94	1.02
TM8E060A12MP11	XAF/XAUB36D	0.99	0.94	1.02
TMLE060A12MP11	XAF/XAUB36D	0.99	0.94	1.02
TM8E040A12MP11	XAFA30D	0.98	0.91	1.00
YPLC080B12MP13C	XAF/XAUB36D	0.98	0.90	1.00
TM8E100C16MP11	XAFC36D	1.01	0.96	1.00
TMLE100C16MP11	XAFC36D	1.01	0.96	1.00
TM8E100B12MP11	XAFC36D	0.99	0.94	0.99
TMLE100B12MP11	XAFC36D	0.99	0.94	0.99
TM8E100B12MP11	XAF/XAUB36D	0.99	0.94	0.99
TM9E060A10MP12	XAFA30D	0.96	0.86	0.98
TM8Y100C20MP11	XAFC36D	1.00	0.94	0.97
TM8Y080C16MP11	XAFC36D	0.99	0.91	0.96
TM8Y080B12MP11	XAFC36D	0.99	0.93	0.99
TM8V080B12MP12C	XAF/XAUB36D	0.98	0.90	1.00
TPLC080B12MP13C	XAF/XAUB36D	0.98	0.90	1.00
TM9E100C16MP12	XAFC36D	1.00	0.95	0.99
TM9E080B12MP12	XAFC36D	0.99	0.94	1.02
TM9E080B12MP12	XAF/XAUB36D	0.99	0.94	1.02
TM9E060B12MP12	XAFC36D	0.97	0.89	0.99
TM9E060B12MP12	XAF/XAUB36D	0.97	0.89	0.99
TM9E060A10MP12	XAF/XAUB36D	0.98	0.90	1.00
TP9C080B12MP13C	XAFC36D	0.99	0.93	1.01
YP9C080B12MP13C	XAFC36D	0.99	0.93	1.01
TM9V060B12MP12C	XAFC36D	0.98	0.90	1.00
TP9C060B12MP13C	XAFC36D	0.98	0.90	1.00
YP9C060B12MP13C	XAFC36D	0.98	0.90	1.00



## Heating performance data - 3 ton

**Table 19: Heating performance data - 3 ton - air temperature (°F) entering outdoor unit**

Outdoor unit model: HMH72B361S										
Air temperature (°F)		ID CFM								
		900			1200			1500		
Entering outdoor unit	Entering indoor coil	MBH	COP	kW	MBH	COP	kW	MBH	COP	kW
60	60	41.6	3.51	3.47	43.6	3.81	3.36	45.7	4.12	3.25
	70	39.1	3.03	3.78	40.2	3.23	3.65	41.3	3.45	3.51
	80	38.5	2.78	4.07	40.7	3.02	3.95	42.9	3.28	3.83
47	60	36.4	3.27	3.26	38.2	3.51	3.19	40.1	3.77	3.13
	70	34.4	2.85	3.55	35.4	3.00	3.45	36.3	3.16	3.36
	80	33.7	2.60	3.80	35.6	2.80	3.72	37.4	3.01	3.64
40	60	33.5	3.12	3.15	35.3	3.34	3.10	37.2	3.56	3.06
	70	31.9	2.73	3.42	32.7	2.87	3.35	33.6	3.00	3.28
	80	31.2	2.49	3.66	32.8	2.67	3.60	34.4	2.85	3.54
30	60	29.5	2.90	2.99	31.2	3.08	2.97	32.9	3.25	2.96
	70	28.3	2.56	3.24	29.0	2.66	3.20	29.7	2.75	3.16
	80	27.5	2.33	3.46	28.9	2.47	3.43	30.2	2.61	3.40
17	60	24.3	2.57	2.78	25.8	2.70	2.81	27.3	2.82	2.84
	70	23.7	2.31	3.01	24.2	2.35	3.01	24.7	2.40	3.01
	80	22.7	2.08	3.20	23.7	2.17	3.21	24.7	2.26	3.21
10	60	21.5	2.37	2.66	22.9	2.47	2.72	24.3	2.58	2.77
	70	21.2	2.15	2.88	21.6	2.18	2.90	21.9	2.20	2.92
	80	20.1	1.93	3.06	21.0	1.99	3.09	21.8	2.05	3.11
0	60	17.5	2.05	2.50	18.8	2.13	2.59	20.0	2.20	2.67
	70	17.6	1.91	2.70	17.8	1.90	2.76	18.1	1.89	2.81
	80	16.5	1.69	2.86	17.0	1.71	2.91	17.6	1.74	2.97



**Note:**

- All capacities include indoor fan heat. kW values are for the system (outdoor + indoor).

### Multipliers for determining the performance with other indoor sections

**Table 20: Coil multipliers - 3 ton heating**

Air handler	Coil	MBH	COP	kW
AE36BX21	—	0.98	1.09	0.91
AE36BX21	—	0.98	1.09	0.91
AE36CX21	—	1.02	1.13	0.90
AE36CX21	—	1.02	1.13	0.90
AVC36BX21	—	1.00	1.09	0.92
AVC36BX21	—	1.00	1.09	0.92
AVC36CX21	—	0.97	1.09	0.89
AVC36CX21	—	0.97	1.09	0.89
ME08BN21	CF/CM36B	0.89	0.98	0.91
ME12BN21	CF/CM36B	0.98	1.07	0.91
ME12BN21	XAF/XAUB36D	1.02	1.12	0.91
ME12BN21	XAHB36D	1.00	1.09	0.92
ME16CN21	CF/CM36C	0.94	1.05	0.89
ME16CN21	XAFC36D	1.02	1.15	0.88
ME16CN21	XAHC36D	1.01	1.12	0.90
MVC12BN21	CF/CM36B	0.98	1.08	0.91
MVC12BN21	XAF/XAUB36D	1.02	1.13	0.90
MVC12BN21	XAHB36D	1.00	1.09	0.92
MVC16CN21	CF/CM36C	0.98	1.11	0.88
MVC16CN21	XAFC36D	1.02	1.16	0.88
MVC16CN21	XAHC36D	1.00	1.13	0.88
ME12CN21	XAHC36D	1.00	1.11	0.90

**Table 20: Coil multipliers - 3 ton heating**

Air handler	Coil	MBH	COP	kW
ME12CN21	CF/CM36C	0.97	1.09	0.89
ME12CN21	XAFC36D	1.02	1.14	0.89
MVC12CN21	XAHC36D	1.00	1.12	0.89
MVC12CN21	CF/CM36C	0.96	1.08	0.89
MVC12CN21	XAFC36D	1.01	1.15	0.88
JHETB36DXXS2N1	—	1.02	1.13	0.90
JHETC36DXXS2N1	—	0.98	1.09	0.90
JHVTB36DXXC2N1	—	1.02	1.13	0.90
JHVTC36DXXC2N1	—	1.01	1.15	0.87
JMET12CS2N1A	XAFC36D	1.02	1.15	0.89
JMET12CS2N1A	XAHC36D	1.00	1.11	0.89
JMET16CS2N1A	XAHC36D	1.00	1.12	0.89
JMET16CS2N1A	XAFC36D	1.00	1.11	0.90
JMVT12BC2N1A	XAF/XAUB36D	1.01	1.13	0.90
JMVT12BC2N1A	XAHB36D	0.99	1.09	0.91
JMVT16CC2N1A	XAHC36D	0.99	1.11	0.89
JMVT16CC2N1A	XAFC36D	1.01	1.14	0.88

**Table 21: Furnace multipliers - 3 ton heating**

Furnace	Coil	MBH	COP	kW
TL8E060A12UH11	XAHB36D	1.00	1.06	0.94
TMLE100B12MP11	XAHB36D	1.00	1.07	0.94
TM8E080B12MP11	XAHB36D	0.99	1.06	0.93
TMLE080B12MP11	XAHB36D	0.99	1.06	0.93
TM8E060A12MP11	XAHB36D	1.01	1.07	0.94
TMLE060A12MP11	XAHB36D	1.01	1.07	0.94
TL8E080C16UH11	XAHC36D	1.00	1.09	0.92
YPLC080B12MP13C	XAHC36D	1.00	1.05	0.95
TM8E120C16MP11	XAHC36D	1.01	1.11	0.91
TMLE120C16MP11	XAHC36D	1.01	1.11	0.91
TM8E100C16MP11	XAHC36D	1.01	1.11	0.91
TMLE100C16MP11	XAHC36D	1.01	1.11	0.91
TM8E100B12MP11	XAHB36D	1.00	1.07	0.94
TM9E060B12MP12	XAHC36D	0.99	1.05	0.95
TM9E060B12MP12	XAHB36D	0.98	1.04	0.95
TM8Y120C20MP11	XAHC36D	0.99	1.09	0.91
TM8Y080B12MP11	XAHC36D	1.00	1.07	0.93
TM8V080B12MP12C	XAHC36D	1.00	1.05	0.95
TPLC080B12MP13C	XAHC36D	1.00	1.05	0.95
YP9C080B12MP13C	XAHC36D	1.00	1.07	0.93
TM9V060B12MP12C	XAHB36D	1.00	1.05	0.95
TP9C060B12MP13C	XAHB36D	1.00	1.05	0.95
YP9C060B12MP13C	XAHB36D	1.00	1.05	0.95
TM9E100C16MP12	XAHC36D	1.01	1.09	0.92
TM9E080B12MP12	XAHC36D	1.01	1.07	0.94
TM9Y060B12MP11	XAHB36D	0.97	1.02	0.95
TM9V100C16MP12C	XAHC36D	1.01	1.11	0.91
TP9C100C16MP13C	XAHC36D	1.01	1.11	0.91
YP9C100C16MP13C	XAHC36D	1.01	1.11	0.91
TM9V080B12MP12C	XAHC36D	1.00	1.07	0.93
TP9C080B12MP13C	XAHC36D	1.00	1.07	0.93
TM9Y080B12MP11	XAHB36D	1.00	1.05	0.95
TM9Y060B12MP11	XAHC36D	1.00	1.05	0.95

**Table 21: Furnace multipliers - 3 ton heating**

Furnace	Coil	MBH	COP	kW
TMLE080B12MP11	XAHC36D	1.01	1.08	0.93
TM8E040A12MP11	XAHB36D	1.00	1.07	0.94
TMLE040A12MP11	XAHB36D	1.00	1.07	0.94
TL9E080C16UH11	XAHC36D	1.00	1.09	0.92
TL9E060B12UH11	XAHC36D	0.98	1.04	0.94
TL9E060B12UH11	XAHB36D	0.98	1.03	0.95
YPLC080B12MP13C	XAHB36D	0.98	1.03	0.95
TM8E100B12MP11	XAHC36D	1.01	1.08	0.93
TMLE100B12MP11	XAHC36D	1.01	1.08	0.93
TM8E080C16MP11	XAHC36D	1.00	1.10	0.91
TMLE080C16MP11	XAHC36D	1.00	1.10	0.91
TM8E080B12MP11	XAHC36D	1.01	1.08	0.93
TPLC080C16MP13C	XAHC36D	1.01	1.11	0.92
TPLC100C16MP13C	XAHC36D	1.01	1.11	0.92
YPLC080C16MP13C	XAHC36D	1.01	1.11	0.92
YPLC100C16MP13C	XAHC36D	1.01	1.11	0.92
TM8V080B12MP12C	XAHB36D	0.98	1.03	0.95
TPLC080B12MP13C	XAHB36D	0.98	1.03	0.95
TM8Y080C16MP11	XAHC36D	0.98	1.09	0.91
TM8Y080B12MP11	XAHB36D	1.00	1.07	0.93
TM8Y060A12MP11	XAHB36D	0.99	1.05	0.94
TM8V100C16MP12C	XAHC36D	1.01	1.11	0.92
TM8V080C16MP12C	XAHC36D	1.01	1.11	0.92
TMLV100C16MP12C	XAHC36D	1.01	1.11	0.92
TM9V040A10MP12C	XAHB36D	0.98	1.01	0.97
TM9E080C16MP12	XAHC36D	1.00	1.09	0.92
TM9E080B12MP12	XAHB36D	1.01	1.07	0.94
TM9E060A10MP12	XAHB36D	0.98	1.03	0.95
TM8Y100C20MP11	XAHC36D	0.99	1.09	0.91
TM8Y100C16MP11	XAHC36D	0.98	1.09	0.91
TM9V080B12MP12C	XAHB36D	1.00	1.06	0.94
TP9C080B12MP13C	XAHB36D	1.00	1.06	0.94
YP9C080B12MP13C	XAHB36D	1.00	1.06	0.94
TM9V060B12MP12C	XAHC36D	1.00	1.06	0.94
TP9C060B12MP13C	XAHC36D	1.00	1.06	0.94
YP9C060B12MP13C	XAHC36D	1.00	1.06	0.94
TM9V100C20MP12C	XAHC36D	1.02	1.12	0.91
TP9C100C20MP13C	XAHC36D	1.02	1.12	0.91
YP9C100C20MP13C	XAHC36D	1.02	1.12	0.91
TM9V080C16MP12C	XAHC36D	1.01	1.09	0.92
TP9C080C16MP13C	XAHC36D	1.01	1.09	0.92
YP9C080C16MP13C	XAHC36D	1.01	1.09	0.92
TM9Y060B12MP11	CU/CU/CF/CM36C	0.96	1.02	0.94
TM9Y100C16MP11	XAHC36D	1.00	1.09	0.92
TM9Y080C16MP11	XAHC36D	1.01	1.09	0.93
TM9Y080B12MP11	XAHC36D	1.00	1.06	0.94
TM9Y080C16MP11	CU/CU/CF/CM36C	0.99	1.07	0.92
TM9Y080B12MP11	CF/CM/CU36B	0.97	1.03	0.94
TM8Y080C16MP11	CF/CM36C	0.96	1.06	0.91
TM8Y060A12MP11	CF/CM/CU36B	0.96	1.03	0.94
TM8Y060A12MP11	CF/CM36A	0.95	1.01	0.94
TMLE080B12MP11	CF/CM/CU36B	0.98	1.05	0.93
TM8E040A12MP11	CF/CM36A	0.96	1.02	0.94

**Table 21: Furnace multipliers - 3 ton heating**

Furnace	Coil	MBH	COP	kw
TMLE040A12MP11	CF/CM36A	0.96	1.02	0.94
TL9E080C16UH11	CU/CU/CF/CM36C	0.98	1.08	0.91
TL8E060A12UH11	CF/CM/CU36B	0.98	1.05	0.94
TL8E060A12UH11	CF/CM36A	0.97	1.02	0.95
TM8V080B12MP12C	CF/CM/CU36B	0.97	1.02	0.95
TPLC080B12MP13C	CF/CM/CU36B	0.97	1.02	0.95
YPLC080B12MP13C	CF/CM/CU36B	0.97	1.02	0.95
TM8E100B12MP11	CF/CM/CU36B	0.98	1.06	0.93
TMLE100B12MP11	CF/CM/CU36B	0.98	1.06	0.93
TM8E080B12MP11	CF/CM/CU36B	0.98	1.05	0.93
TM9E080B12MP12	CU/CU/CF/CM36C	0.99	1.07	0.93
TM9E060B12MP12	CU/CU/CF/CM36C	0.99	1.05	0.95
TM9E060A10MP12	CF/CM/CU36B	0.97	1.01	0.95
TM8V080B12MP12C	CU/CU/CF/CM36C	0.96	1.02	0.94
TPLC080B12MP13C	CU/CU/CF/CM36C	0.96	1.02	0.94
YPLC080B12MP13C	CU/CU/CF/CM36C	0.96	1.02	0.94
YP9C080B12MP13C	CF/CM/CU36B	0.97	1.04	0.94
TM9V060B12MP12C	CF/CM/CU36B	0.96	1.01	0.94
TP9C060B12MP13C	CF/CM/CU36B	0.96	1.01	0.94
YP9C060B12MP13C	CF/CM/CU36B	0.96	1.01	0.94
TM9V040A10MP12C	CF/CM/CU36B	0.92	0.97	0.95
TM9E100C16MP12	CU/CU/CF/CM36C	0.99	1.09	0.91
YP9C100C20MP13C	CU/CU/CF/CM36C	0.99	1.09	0.91
TM9V100C16MP12C	CU/CU/CF/CM36C	0.99	1.09	0.91
TP9C100C16MP13C	CU/CU/CF/CM36C	0.99	1.09	0.91
YP9C100C16MP13C	CU/CU/CF/CM36C	0.99	1.09	0.91
TM9V080B12MP12C	CF/CM/CU36B	0.97	1.04	0.94
TP9C080B12MP13C	CF/CM/CU36B	0.97	1.04	0.94
TM9Y100C16MP11	CU/CU/CF/CM36C	0.96	1.05	0.91
TM9Y080B12MP11	CU/CU/CF/CM36C	0.97	1.05	0.93
TM9Y060B12MP11	CF/CM/CU36B	0.96	1.01	0.94
TM9V100C20MP12C	CU/CU/CF/CM36C	0.99	1.09	0.91
TP9C100C20MP13C	CU/CU/CF/CM36C	0.99	1.09	0.91
TM8Y080B12MP11	CF/CM36C	0.98	1.06	0.92
TM8Y080B12MP11	CF/CM/CU36B	0.97	1.05	0.93
TL9E060B12UH11	CU/CU/CF/CM36C	0.99	1.05	0.95
TL9E060B12UH11	CF/CM/CU36B	0.93	1.00	0.93
TL8E080C16UH11	CU/CU/CF/CM36C	0.95	1.05	0.90
TM8E060A12MP11	CF/CM/CU36B	0.98	1.05	0.93
TMLE060A12MP11	CF/CM/CU36B	0.98	1.05	0.93
TM8E060A12MP11	CF/CM36A	0.97	1.02	0.95
TMLE060A12MP11	CF/CM36A	0.97	1.02	0.95
TM8E040A12MP11	CF/CM/CU36B	0.98	1.05	0.93
TMLE040A12MP11	CF/CM/CU36B	0.98	1.05	0.93
TM8E100B12MP11	CU/CU/CF/CM36C	0.99	1.07	0.92
TMLE100B12MP11	CU/CU/CF/CM36C	0.99	1.07	0.92
TM8E080C16MP11	CU/CU/CF/CM36C	0.99	1.09	0.91
TMLE080C16MP11	CU/CU/CF/CM36C	0.99	1.09	0.91
TM8E080B12MP11	CU/CU/CF/CM36C	0.99	1.07	0.93
TMLE080B12MP11	CU/CU/CF/CM36C	0.99	1.07	0.93
TPLC060A12MP13C	CF/CM36A	0.94	1.00	0.94
YPLC060A12MP13C	CF/CM36A	0.94	1.00	0.94
TM8E120C16MP11	CU/CU/CF/CM36C	1.00	1.10	0.91

**Table 21: Furnace multipliers - 3 ton heating**

Furnace	Coil	MBH	COP	kW
TMLE120C16MP11	CU/CU/CF/CM36C	1.00	1.10	0.91
TM8E100C16MP11	CU/CU/CF/CM36C	1.00	1.10	0.91
TMLE100C16MP11	CU/CU/CF/CM36C	1.00	1.10	0.91
TM8V060A12MP12C	CF/CM/CU36B	1.00	1.07	0.94
TMLV060A12MP12C	CF/CM/CU36B	1.00	1.07	0.94
TPLC060A12MP13C	CF/CM/CU36B	1.00	1.07	0.94
YPLC060A12MP13C	CF/CM/CU36B	1.00	1.07	0.94
TM8V060A12MP12C	CF/CM36A	0.94	1.00	0.94
TMLV060A12MP12C	CF/CM36A	0.94	1.00	0.94
TM8V080C16MP12C	CU/CU/CF/CM36C	0.99	1.09	0.91
TMLV100C16MP12C	CU/CU/CF/CM36C	0.99	1.09	0.91
TPLC080C16MP13C	CU/CU/CF/CM36C	0.99	1.09	0.91
TPLC100C16MP13C	CU/CU/CF/CM36C	0.99	1.09	0.91
YPLC080C16MP13C	CU/CU/CF/CM36C	0.99	1.09	0.91
YPLC100C16MP13C	CU/CU/CF/CM36C	0.99	1.09	0.91
TMLV120C20MP12C	CU/CU/CF/CM36C	1.01	1.13	0.89
TPLC100C20MP13C	CU/CU/CF/CM36C	1.01	1.13	0.89
TPLC120C20MP13C	CU/CU/CF/CM36C	1.01	1.13	0.89
YPLC100C20MP13C	CU/CU/CF/CM36C	1.01	1.13	0.89
YPLC120C20MP13C	CU/CU/CF/CM36C	1.01	1.13	0.89
TM8V100C16MP12C	CU/CU/CF/CM36C	0.99	1.09	0.91
TM9E080C16MP12	CU/CU/CF/CM36C	1.00	1.09	0.92
TM9E080B12MP12	CF/CM/CU36B	0.99	1.05	0.94
TM9E060B12MP12	CF/CM/CU36B	0.95	1.01	0.94
TM9E060A10MP12	CF/CM36A	0.93	0.97	0.95
TM8V120C20MP12C	CU/CU/CF/CM36C	1.01	1.13	0.89
TM8V100C20MP12C	CU/CU/CF/CM36C	1.01	1.13	0.89
TP9C080B12MP13C	CU/CU/CF/CM36C	0.96	1.04	0.92
YP9C080B12MP13C	CU/CU/CF/CM36C	0.96	1.04	0.92
TM9V060B12MP12C	CU/CU/CF/CM36C	0.99	1.04	0.95
TP9C060B12MP13C	CU/CU/CF/CM36C	0.99	1.04	0.95
YP9C060B12MP13C	CU/CU/CF/CM36C	0.99	1.04	0.95
TM9V040A10MP12C	CF/CM36A	0.91	0.95	0.95
TM9V080C16MP12C	CU/CU/CF/CM36C	0.98	1.07	0.92
TP9C080C16MP13C	CU/CU/CF/CM36C	0.98	1.07	0.92
YP9C080C16MP13C	CU/CU/CF/CM36C	0.98	1.07	0.92
TM9V080B12MP12C	CU/CU/CF/CM36C	0.96	1.04	0.92
TM8E060A12MP11	XAFA30D	1.02	1.08	0.94
TMLE060A12MP11	XAFA30D	1.02	1.08	0.94
TM8E040A12MP11	XAF/XAUB36D	1.02	1.10	0.93
TMLE040A12MP11	XAF/XAUB36D	1.02	1.10	0.93
TL9E060B12UH11	XAFC36D	1.00	1.07	0.94
TL8E080C16UH11	XAFC36D	1.02	1.12	0.91
TM8E120C16MP11	XAFC36D	1.02	1.13	0.90
TMLE120C16MP11	XAFC36D	1.02	1.13	0.90
TM8E080C16MP11	XAFC36D	1.02	1.13	0.90
TMLE080C16MP11	XAFC36D	1.02	1.13	0.90
TM8E080B12MP11	XAF/XAUB36D	1.02	1.10	0.93
TMLE080B12MP11	XAF/XAUB36D	1.02	1.10	0.93
TPLC080B12MP13C	XAFC36D	1.02	1.08	0.94
YPLC080B12MP13C	XAFC36D	1.02	1.08	0.94
TM8V060A12MP12C	XAF/XAUB36D	1.02	1.11	0.91
TMLV060A12MP12C	XAF/XAUB36D	1.02	1.11	0.91

**Table 21: Furnace multipliers - 3 ton heating**

Furnace	Coil	MBH	COP	kW
TPLC060A12MP13C	XAF/XAUB36D	1.02	1.11	0.91
YPLC060A12MP13C	XAF/XAUB36D	1.02	1.11	0.91
TMLV100C16MP12C	XAFC36D	1.02	1.13	0.90
TPLC080C16MP13C	XAFC36D	1.02	1.13	0.90
TPLC100C16MP13C	XAFC36D	1.02	1.13	0.90
YPLC080C16MP13C	XAFC36D	1.02	1.13	0.90
YPLC100C16MP13C	XAFC36D	1.02	1.13	0.90
TM8V080B12MP12C	XAFC36D	1.02	1.08	0.94
TM8Y100C16MP11	XAFC36D	0.99	1.11	0.89
TM8Y080B12MP11	XAF/XAUB36D	1.02	1.09	0.93
TM8Y060A12MP11	XAF/XAUB36D	1.01	1.08	0.94
TM8Y060A12MP11	XAFA30D	1.01	1.06	0.95
TM8V100C16MP12C	XAFC36D	1.02	1.13	0.90
TM8V080C16MP12C	XAFC36D	1.02	1.13	0.90
TM9V060B12MP12C	XAF/XAUB36D	1.02	1.08	0.94
TP9C060B12MP13C	XAF/XAUB36D	1.02	1.08	0.94
YP9C060B12MP13C	XAF/XAUB36D	1.02	1.08	0.94
TM9V040A10MP12C	XAFA30D	0.99	1.03	0.96
TM9E080C16MP12	XAFC36D	1.02	1.11	0.91
TM8Y120C20MP11	XAFC36D	1.01	1.13	0.90
TM9V080C16MP12C	XAFC36D	1.02	1.11	0.91
TP9C080C16MP13C	XAFC36D	1.02	1.11	0.91
YP9C080C16MP13C	XAFC36D	1.02	1.11	0.91
TM9V080B12MP12C	XAF/XAUB36D	1.02	1.10	0.93
TP9C080B12MP13C	XAF/XAUB36D	1.02	1.10	0.93
YP9C080B12MP13C	XAF/XAUB36D	1.02	1.10	0.93
TM9Y080C16MP11	XAFC36D	1.02	1.11	0.91
TM9Y080B12MP11	XAFC36D	1.02	1.09	0.93
TM9Y060B12MP11	XAF/XAUB36D	1.02	1.07	0.95
TM9V100C16MP12C	XAFC36D	1.02	1.14	0.89
TP9C100C16MP13C	XAFC36D	1.02	1.14	0.89
YP9C100C16MP13C	XAFC36D	1.02	1.14	0.89
TM9Y100C16MP11	XAFC36D	1.02	1.12	0.91
TMLE040A12MP11	XAFA30D	1.02	1.08	0.94
TL9E080C16UH11	XAFC36D	1.02	1.12	0.91
TL9E060B12UH11	XAF/XAUB36D	1.00	1.06	0.94
TL8E060A12UH11	XAF/XAUB36D	1.02	1.09	0.93
TL8E060A12UH11	XAFA30D	1.02	1.08	0.94
TMLE100B12MP11	XAF/XAUB36D	1.02	1.11	0.92
TM8E080B12MP11	XAFC36D	1.02	1.10	0.93
TMLE080B12MP11	XAFC36D	1.02	1.10	0.93
TM8E060A12MP11	XAF/XAUB36D	1.02	1.10	0.93
TMLE060A12MP11	XAF/XAUB36D	1.02	1.10	0.93
TM8E040A12MP11	XAFA30D	1.02	1.08	0.94
YPLC080B12MP13C	XAF/XAUB36D	1.02	1.07	0.95
TM8E100C16MP11	XAFC36D	1.02	1.13	0.90
TMLE100C16MP11	XAFC36D	1.02	1.13	0.90
TM8E100B12MP11	XAFC36D	1.02	1.11	0.92
TMLE100B12MP11	XAFC36D	1.02	1.11	0.92
TM8E100B12MP11	XAF/XAUB36D	1.02	1.11	0.92
TM9E060A10MP12	XAFA30D	1.00	1.05	0.96
TM8Y100C20MP11	XAFC36D	1.01	1.13	0.90
TM8Y080C16MP11	XAFC36D	1.01	1.10	0.92

**Table 21: Furnace multipliers - 3 ton heating**

Furnace	Coil	MBH	COP	kW
TM8Y080B12MP11	XAFC36D	1.02	1.10	0.93
TM8V080B12MP12C	XAF/XAUB36D	1.02	1.07	0.95
TPLC080B12MP13C	XAF/XAUB36D	1.02	1.07	0.95
TM9E100C16MP12	XAFC36D	1.02	1.12	0.91
TM9E080B12MP12	XAFC36D	1.02	1.10	0.93
TM9E080B12MP12	XAF/XAUB36D	1.02	1.10	0.93
TM9E060B12MP12	XAFC36D	1.01	1.07	0.94
TM9E060B12MP12	XAF/XAUB36D	1.01	1.07	0.94
TM9E060A10MP12	XAF/XAUB36D	1.02	1.07	0.95
TP9C080B12MP13C	XAFC36D	1.02	1.10	0.93
YP9C080B12MP13C	XAFC36D	1.02	1.10	0.93
TM9V060B12MP12C	XAFC36D	1.01	1.08	0.94
TP9C060B12MP13C	XAFC36D	1.01	1.08	0.94
YP9C060B12MP13C	XAFC36D	1.01	1.08	0.94
TM9V040A10MP12C	XAF/XAUB36D	1.00	1.04	0.96
TM9Y080B12MP11	XAF/XAUB36D	1.02	1.09	0.94
TM9Y060B12MP11	XAFC36D	1.02	1.07	0.95
TM9V100C20MP12C	XAFC36D	1.02	1.14	0.89
TP9C100C20MP13C	XAFC36D	1.02	1.14	0.89
YP9C100C20MP13C	XAFC36D	1.02	1.14	0.89
TM9V080B12MP12C	XAFC36D	1.02	1.10	0.93

## Performance data - 4 ton

### Cooling performance data - 4 ton

**Table 22: Cooling performance data - 4 ton - air temperature (°F) entering outdoor unit**

Outdoor unit model: HMH72B481S																	
Air temp (°F)	ID CFM	1200					1500					1800					
		ID DB (°F)	80	80	75	80	80	80	80	75	80	80	80	80	75	80	80
		ID WB (°F)	57	62	62	67	72	57	62	62	67	72	57	62	62	67	72
55	T.C.	41.2	50.0	49.7	55.2	58.7	44.7	49.9	51.0	57.7	61.6	48.3	49.8	52.2	60.1	64.4	
	S.C.	41.2	31.9	35.7	36.3	28.0	44.7	40.9	39.2	39.5	30.3	48.3	49.8	42.7	42.8	32.6	
	kW	2.92	2.96	2.96	3.00	3.08	3.06	3.08	3.08	3.12	3.18	3.21	3.21	3.19	3.23	3.28	
65	T.C.	39.2	46.9	47.1	52.5	56.4	41.6	46.4	48.1	54.7	58.8	44.0	45.9	49.2	56.9	61.2	
	S.C.	39.2	30.1	34.7	35.0	27.2	41.6	38.0	38.3	38.3	29.5	44.0	45.9	41.8	41.6	31.7	
	kW	3.31	3.35	3.35	3.40	3.51	3.46	3.48	3.48	3.52	3.62	3.60	3.61	3.60	3.65	3.73	
75	T.C.	37.3	43.7	44.4	49.7	54.0	38.5	42.9	45.3	51.7	56.0	39.8	42.0	46.2	53.6	58.1	
	S.C.	37.3	28.2	33.6	33.7	26.5	38.5	35.1	37.2	36.9	28.6	39.8	42.0	40.8	40.2	30.8	
	kW	3.70	3.75	3.75	3.79	3.94	3.85	3.88	3.88	3.93	4.06	4.00	4.01	4.01	4.06	4.18	
85	T.C.	35.3	40.6	41.7	47.0	51.7	35.4	39.4	42.5	48.7	53.3	35.6	38.1	43.3	50.4	54.9	
	S.C.	35.3	26.3	32.4	32.3	25.7	35.4	32.2	36.0	35.5	27.7	35.6	38.1	39.5	38.7	29.8	
	kW	4.09	4.14	4.14	4.19	4.37	4.24	4.27	4.28	4.33	4.50	4.39	4.41	4.42	4.47	4.63	
95	T.C.	33.3	37.4	39.0	44.2	49.3	32.3	35.8	39.7	45.7	50.5	31.4	34.2	40.3	47.2	51.7	
	S.C.	33.3	24.4	31.1	30.8	24.9	32.3	29.3	34.6	34.0	26.8	31.4	34.2	38.1	37.2	28.7	
	kW	4.48	4.53	4.53	4.58	4.79	4.64	4.67	4.68	4.73	4.93	4.79	4.81	4.83	4.89	5.07	
105	T.C.	31.4	34.3	36.4	41.5	47.0	29.3	32.3	36.8	42.7	47.8	27.1	30.3	37.3	43.9	48.6	
	S.C.	31.4	22.5	29.7	29.3	24.0	29.3	26.4	33.1	32.4	25.8	27.1	30.3	36.5	35.4	27.5	
	kW	4.87	4.93	4.93	4.97	5.22	5.03	5.07	5.08	5.14	5.37	5.18	5.21	5.24	5.30	5.52	
115	T.C.	36.2	31.1	35.3	38.3	39.0	28.1	28.0	36.3	39.2	38.5	20.0	25.0	37.3	40.1	37.9	
	S.C.	36.2	31.1	29.3	28.0	20.7	27.9	28.0	32.9	31.2	21.9	19.6	25.0	36.5	34.5	23.1	
	kW	5.30	5.36	5.40	5.34	5.21	5.44	5.50	5.55	5.52	5.29	5.57	5.64	5.70	5.70	5.36	



**① Note:**

- All capacities include indoor fan heat. kW values are for the system (outdoor + indoor).
- Drive output is limited in the shaded area. Performance may vary and interpolation is not permissible.

Multipliers for determining the performance with other indoor sections

**Table 23: Coil multipliers - 4 ton cooling**

Air handler	Coil	T.C.	S.C.	kW
AE60DX21	—	1.05	1.01	0.97
AE60DX21	—	1.05	1.01	0.97
AVC60DX21	—	1.05	1.04	1.04
AVC60DX21	—	1.05	1.04	1.04
ME14DN21	CF/CM64D	1.05	0.98	1.01
ME14DN21	XAFD60J	1.04	1.01	1.00
ME14DN21	XAHD60J	1.02	0.98	1.01
MVC14DN21	CF/CM64D	1.05	0.98	0.99
MVC14DN21	XAFD60J	1.04	1.01	0.98
MVC14DN21	XAHD60J	1.02	0.99	0.98
MVC20DN21	CF/CM64D	1.05	1.05	0.99
ME16CN21	XAFC60H	1.05	1.00	1.01
ME16CN21	XAHC60H	1.04	0.98	1.03
MVC16CN21	XAFC60H	1.05	0.99	0.97
MVC16CN21	XAHC60H	1.05	0.99	1.01
ME12CN21	XAFC60H	1.05	0.95	0.99
ME12CN21	XAHC60H	1.03	0.94	0.99
MVC12CN21	XAFC60H	1.05	0.97	0.99
MVC12CN21	XAHC60H	1.03	0.94	0.97
JHETC60HXS2N1	—	1.05	1.01	0.99
JHETD60JXS2N1	—	1.05	1.07	0.99
JHVTC60HXXC2N1	—	1.05	1.02	1.01
JHVTD60JXXC2N1	—	1.05	1.08	0.99

**Table 24: Furnace multipliers - 4 ton cooling**

Furnace	Coil	T.C.	S.C.	kW
TMLE100C16MP11	XAHD60J	1.02	1.00	1.06
TL9E080C16UH11	XAHC60H	1.02	0.92	1.03
TL8E080C16UH11	XAHD60J	1.01	0.98	1.05
TL8E080C16UH11	XAHC60H	1.02	0.92	1.01
TM9Y100C16MP11	XAHC60H	1.03	0.95	1.02
TM9Y080C16MP11	XAHC60H	1.03	0.95	1.02
TMLV100C16MP12C	XAHD60J	1.01	0.96	1.02
TPLC080C16MP13C	XAHD60J	1.01	0.96	1.02
TPLC100C16MP13C	XAHD60J	1.01	0.96	1.02
YPLC080C16MP13C	XAHD60J	1.01	0.96	1.02
YPLC100C16MP13C	XAHD60J	1.01	0.96	1.02
TM8E100C16MP11	XAHD60J	1.02	1.00	1.06
TM8Y100C16MP11	XAHD60J	1.01	0.98	1.08
TM8Y080C16MP11	XAHD60J	1.01	0.98	1.08
TM8Y100C16MP11	XAHC60H	1.03	0.96	1.05
TM8Y080C16MP11	XAHC60H	1.03	0.96	1.05
TM8V100C16MP12C	XAHD60J	1.01	0.96	1.02
TM8V080C16MP12C	XAHD60J	1.01	0.96	1.02
TM9V100C20MP12C	XAHC60H	1.04	0.99	1.08

**Table 24: Furnace multipliers - 4 ton cooling**

Furnace	Coil	T.C.	S.C.	kW
TP9C100C20MP13C	XAHC60H	1.04	0.99	1.08
YP9C100C20MP13C	XAHC60H	1.04	0.99	1.08
TM9V100C16MP12C	XAHC60H	1.03	0.96	1.05
TP9C100C16MP13C	XAHC60H	1.03	0.96	1.05
YP9C100C16MP13C	XAHC60H	1.03	0.96	1.05
TM9V120D20MP12C	XAHD60J	1.03	1.03	1.05
TP9C120D20MP13C	XAHD60J	1.03	1.03	1.05
YP9C120D20MP13C	XAHD60J	1.03	1.03	1.05
TMLE080C16MP11	XAHD60J	1.02	1.00	1.06
TL9E080C16UH11	XAHD60J	1.00	0.94	1.01
TL8E100C20UH11	XAHD60J	1.02	1.01	1.03
TL8E100C20UH11	XAHC60H	1.04	0.98	1.03
YPLC100C16MP13C	XAHC60H	1.03	0.95	1.05
TM8E120C16MP11	XAHD60J	1.02	1.01	1.03
TMLE120C16MP11	XAHD60J	1.02	1.01	1.03
TM8E120C16MP11	XAHC60H	1.03	0.96	1.05
TMLE120C16MP11	XAHC60H	1.03	0.96	1.05
TM8E080C16MP11	XAHD60J	1.02	1.00	1.06
TM8V100C16MP12C	XAHC60H	1.03	0.95	1.05
TM8V080C16MP12C	XAHC60H	1.03	0.95	1.05
TMLV100C16MP12C	XAHC60H	1.03	0.95	1.05
TPLC080C16MP13C	XAHC60H	1.03	0.95	1.05
TPLC100C16MP13C	XAHC60H	1.03	0.95	1.05
YPLC080C16MP13C	XAHC60H	1.03	0.95	1.05
TM8V100C20MP12C	XAHD60J	1.01	0.96	1.00
TMLV120C20MP12C	XAHD60J	1.01	0.96	1.00
TPLC100C20MP13C	XAHD60J	1.01	0.96	1.00
TPLC120C20MP13C	XAHD60J	1.01	0.96	1.00
YPLC100C20MP13C	XAHD60J	1.01	0.96	1.00
YPLC120C20MP13C	XAHD60J	1.01	0.96	1.00
YP9C080C16MP13C	XAHC60H	1.02	0.94	1.06
TM8Y120C20MP11	XAHD60J	1.02	0.99	1.03
TM8Y100C20MP11	XAHD60J	1.02	0.99	1.03
TM8Y120C20MP11	XAHC60H	1.03	0.96	1.02
TM8Y100C20MP11	XAHC60H	1.03	0.96	1.02
TM8V120C20MP12C	XAHD60J	1.01	0.96	1.00
YP9C100C16MP13C	XAHD60J	1.02	1.01	1.06
TM9V080C16MP12C	XAHD60J	1.01	0.97	1.05
TP9C080C16MP13C	XAHD60J	1.01	0.97	1.05
YP9C080C16MP13C	XAHD60J	1.01	0.97	1.05
TM9V080C16MP12C	XAHC60H	1.02	0.94	1.06
TP9C080C16MP13C	XAHC60H	1.02	0.94	1.06
TM9Y080C16MP11	XAHD60J	1.00	0.94	1.04
TM9V100C20MP12C	XAHD60J	1.02	1.01	1.06
TP9C100C20MP13C	XAHD60J	1.02	1.01	1.06
YP9C100C20MP13C	XAHD60J	1.02	1.01	1.06
TM9V100C16MP12C	XAHD60J	1.02	1.01	1.06
TP9C100C16MP13C	XAHD60J	1.02	1.01	1.06
TM9Y120D20MP11	XAHD60J	1.02	1.00	1.03
TM9Y100C16MP11	XAHD60J	1.00	0.94	1.01
TM8Y100C20MP11	CF/CM64D	1.05	1.00	1.01
TM8Y080C16MP11	CF/CM64D	1.05	0.99	1.04
TM8Y120C20MP11	CF/CM64D	1.05	1.00	1.01

**Table 24: Furnace multipliers - 4 ton cooling**

Furnace	Coil	T.C.	S.C.	kW
TMLE080C16MP11	CF/CM64D	1.05	1.00	1.04
TM9Y120D20MP11	CF/CM64D	1.05	1.01	1.07
TM9Y080C16MP11	CF/CM64D	1.03	0.94	1.02
TM9E080C16MP12	CF/CM64D	1.05	1.00	1.07
TMLV120C20MP12C	CF/CM64D	1.05	1.00	1.01
TPLC100C20MP13C	CF/CM64D	1.05	1.00	1.01
TPLC120C20MP13C	CF/CM64D	1.05	1.00	1.01
YPLC100C20MP13C	CF/CM64D	1.05	1.00	1.01
YPLC120C20MP13C	CF/CM64D	1.05	1.00	1.01
TM8E080C16MP11	CF/CM64D	1.05	1.00	1.04
TM9V100C16MP12C	CF/CM64D	1.05	1.00	1.04
TP9C100C16MP13C	CF/CM64D	1.05	1.00	1.04
YP9C100C16MP13C	CF/CM64D	1.05	1.00	1.04
TM8V120C20MP12C	CF/CM64D	1.05	1.00	1.01
TM8V100C20MP12C	CF/CM64D	1.05	1.00	1.01
TM9V080C16MP12C	CF/CM64D	1.04	0.98	1.06
TP9C080C16MP13C	CF/CM64D	1.04	0.98	1.06
YP9C080C16MP13C	CF/CM64D	1.04	0.98	1.06
TL9E080C16UH11	CF/CM64D	1.04	0.96	1.03
TM9Y100C16MP11	CF/CM64D	1.04	0.96	1.03
TM9E100C16MP12	CF/CM64D	1.05	1.00	1.07
TP9C120D20MP13C	CF/CM64D	1.05	1.02	1.04
YP9C120D20MP13C	CF/CM64D	1.05	1.02	1.04
TM9V100C20MP12C	CF/CM64D	1.05	1.01	1.04
TP9C100C20MP13C	CF/CM64D	1.05	1.01	1.04
YP9C100C20MP13C	CF/CM64D	1.05	1.01	1.04
TL8E100C20UH11	CF/CM64D	1.05	1.01	1.01
TM9V120D20MP12C	CF/CM64D	1.05	1.02	1.04
TL8E080C16UH11	CF/CM64D	1.05	0.99	1.04
YPLC080C16MP13C	CF/CM64D	1.04	0.96	1.03
YPLC100C16MP13C	CF/CM64D	1.04	0.96	1.03
TM8E120C16MP11	CF/CM64D	1.05	1.00	1.04
TMLE120C16MP11	CF/CM64D	1.05	1.00	1.04
TM8E100C16MP11	CF/CM64D	1.05	1.00	1.04
TMLE100C16MP11	CF/CM64D	1.05	1.00	1.04
TM8V100C16MP12C	CF/CM64D	1.04	0.96	1.03
TM8V080C16MP12C	CF/CM64D	1.04	0.96	1.03
TMLV100C16MP12C	CF/CM64D	1.04	0.96	1.03
TPLC080C16MP13C	CF/CM64D	1.04	0.96	1.03
TPLC100C16MP13C	CF/CM64D	1.04	0.96	1.03
TM8E080C16MP11	XAFD60J	1.04	1.02	1.06
TMLE080C16MP11	XAFD60J	1.04	1.02	1.06
YPLC100C20MP13C	XAFD60J	1.04	1.02	1.03
YPLC120C20MP13C	XAFD60J	1.04	1.02	1.03
TM8E120C16MP11	XAFD60J	1.04	1.02	1.03
TMLE120C16MP11	XAFD60J	1.04	1.02	1.03
TM8E100C16MP11	XAFD60J	1.04	1.02	1.06
TMLE100C16MP11	XAFD60J	1.04	1.02	1.06
YP9C100C16MP13C	XAFD60J	1.04	1.03	1.06
TM8V120C20MP12C	XAFD60J	1.04	1.02	1.03
TM8V100C20MP12C	XAFD60J	1.04	1.02	1.03
TMLV120C20MP12C	XAFD60J	1.04	1.02	1.03
TPLC100C20MP13C	XAFD60J	1.04	1.02	1.03

**Table 24: Furnace multipliers - 4 ton cooling**

Furnace	Coil	T.C.	S.C.	kW
TPLC120C20MP13C	XAFD60J	1.04	1.02	1.03
TM9V100C16MP12C	XAFD60J	1.04	1.03	1.06
TP9C100C16MP13C	XAFD60J	1.04	1.03	1.06
TPLC100C16MP13C	XAFC60H	1.05	0.97	1.04
YPLC080C16MP13C	XAFC60H	1.05	0.97	1.04
YPLC100C16MP13C	XAFC60H	1.05	0.97	1.04
TL9E080C16UH11	XAFD60J	1.02	0.96	1.01
TL9E080C16UH11	XAFC60H	1.04	0.95	1.03
TL8E080C16UH11	XAFC60H	1.04	0.95	1.00
YPLC100C20MP13C	XAFC60H	1.05	0.97	1.01
YPLC120C20MP13C	XAFC60H	1.05	0.97	1.01
TM8V100C16MP12C	XAFC60H	1.05	0.97	1.04
TM8V080C16MP12C	XAFC60H	1.05	0.97	1.04
TMLV100C16MP12C	XAFC60H	1.05	0.97	1.04
TPLC080C16MP13C	XAFC60H	1.05	0.97	1.04
TM8Y080C16MP11	XAFC60H	1.05	0.98	1.04
TM8V120C20MP12C	XAFC60H	1.05	0.97	1.01
TM8V100C20MP12C	XAFC60H	1.05	0.97	1.01
TMLV120C20MP12C	XAFC60H	1.05	0.97	1.01
TPLC100C20MP13C	XAFC60H	1.05	0.97	1.01
TPLC120C20MP13C	XAFC60H	1.05	0.97	1.01
YP9C080C16MP13C	XAFC60H	1.05	0.99	1.07
TM8Y120C20MP11	XAFC60H	1.05	0.99	1.01
TM8Y100C20MP11	XAFC60H	1.05	0.99	1.01
TM8Y100C16MP11	XAFD60J	1.04	1.02	1.03
TM8Y080C16MP11	XAFD60J	1.04	1.02	1.03
TM8Y100C16MP11	XAFC60H	1.05	0.98	1.04
TM9Y120D20MP11	XAFD60J	1.04	1.02	1.03
TM9Y100C16MP11	XAFD60J	1.02	0.96	1.01
TM9V080C16MP12C	XAFC60H	1.05	0.99	1.07
TP9C080C16MP13C	XAFC60H	1.05	0.99	1.07
TM8Y100C20MP11	XAFD60J	1.04	1.02	1.03
TL8E100C20UH11	XAFD60J	1.05	1.05	1.04
TL8E080C16UH11	XAFD60J	1.04	1.02	1.06
TM9Y100C16MP11	XAFC60H	1.05	0.97	1.01
TM9Y080C16MP11	XAFC60H	1.04	0.95	1.06
TP9C120D20MP13C	XAFD60J	1.05	1.05	1.04
YP9C120D20MP13C	XAFD60J	1.05	1.05	1.04
TM9V100C20MP12C	XAFD60J	1.04	1.04	1.06
TP9C100C20MP13C	XAFD60J	1.04	1.04	1.06
YP9C100C20MP13C	XAFD60J	1.04	1.04	1.06
TM8Y120C20MP11	XAFD60J	1.04	1.02	1.03
TM9V120D20MP12C	XAFD60J	1.05	1.05	1.04
TMLE100C16MP11	XAFC60H	1.05	0.99	1.04
TM8E080C16MP11	XAFC60H	1.05	0.99	1.04
TMLE080C16MP11	XAFC60H	1.05	0.99	1.04
TL8E100C20UH11	XAFC60H	1.05	0.99	1.01
TPLC100C16MP13C	XAFD60J	1.03	0.98	1.02
YPLC080C16MP13C	XAFD60J	1.03	0.98	1.02
YPLC100C16MP13C	XAFD60J	1.03	0.98	1.02
TM8E120C16MP11	XAFC60H	1.05	0.99	1.04
TMLE120C16MP11	XAFC60H	1.05	0.99	1.04
TM8E100C16MP11	XAFC60H	1.05	0.99	1.04

**Table 24: Furnace multipliers - 4 ton cooling**

Furnace	Coil	T.C.	S.C.	kW
YP9C080C16MP13C	XAFD60J	1.03	0.99	1.05
TM9E080B12MP12	XAFC60H	1.03	0.92	1.02
TM8V100C16MP12C	XAFD60J	1.03	0.98	1.02
TM8V080C16MP12C	XAFD60J	1.03	0.98	1.02
TMLV100C16MP12C	XAFD60J	1.03	0.98	1.02
TPLC080C16MP13C	XAFD60J	1.03	0.98	1.02
YP9C100C20MP13C	XAFC60H	1.05	1.01	1.07
TM9V100C16MP12C	XAFC60H	1.05	1.01	1.07
TP9C100C16MP13C	XAFC60H	1.05	1.01	1.07
YP9C100C16MP13C	XAFC60H	1.05	1.01	1.07
TM9V080C16MP12C	XAFD60J	1.03	0.99	1.05
TP9C080C16MP13C	XAFD60J	1.03	0.99	1.05
TM9Y080C16MP11	XAFD60J	1.02	0.96	1.03
TM9V100C20MP12C	XAFC60H	1.05	1.01	1.07
TP9C100C20MP13C	XAFC60H	1.05	1.01	1.07

## Heating performance data - 4 ton

**Table 25: Heating performance data - 4 ton - air temperature (°F) entering outdoor unit**

Outdoor unit model: HMM72B481S										
Air temperature (°F)		ID CFM								
		1200			1500			1800		
Entering outdoor unit	Entering indoor coil	MBH	COP	kW	MBH	COP	kW	MBH	COP	kW
60	60	41.6	2.93	4.15	53.5	3.90	4.02	53.4	4.02	3.89
	70	51.0	3.30	4.53	52.7	3.51	4.41	54.4	3.73	4.28
	80	50.1	3.01	4.87	50.8	3.14	4.74	51.5	3.28	4.60
47	60	46.0	3.44	3.92	46.3	3.54	3.83	46.6	3.65	3.75
	70	43.7	3.00	4.26	45.1	3.17	4.18	46.6	3.34	4.09
	80	42.8	2.75	4.57	43.4	2.84	4.48	44.0	2.94	4.39
40	60	41.9	3.23	3.80	42.4	3.33	3.73	43.0	3.43	3.67
	70	39.7	2.83	4.11	41.0	2.97	4.05	42.4	3.11	3.99
	80	38.9	2.59	4.41	39.4	2.66	4.34	39.9	2.74	4.27
30	60	35.9	2.91	3.62	36.9	3.01	3.59	37.9	3.12	3.56
	70	34.0	2.56	3.90	35.2	2.66	3.87	36.4	2.77	3.85
	80	33.4	2.34	4.18	33.8	2.39	4.14	34.2	2.44	4.10
17	60	28.3	2.45	3.38	29.7	2.56	3.40	31.2	2.67	3.42
	70	26.6	2.15	3.63	27.6	2.22	3.64	28.6	2.29	3.66
	80	26.1	1.97	3.88	26.4	1.99	3.88	26.7	2.01	3.88
10	60	24.1	2.17	3.26	25.8	2.29	3.30	27.6	2.41	3.35
	70	22.7	1.91	3.48	23.5	1.96	3.52	24.3	2.00	3.56
	80	22.2	1.75	3.72	22.4	1.76	3.74	22.6	1.76	3.77
0	60	18.2	1.73	3.08	20.3	1.88	3.16	22.4	2.03	3.24
	70	17.0	1.52	3.27	17.7	1.55	3.34	18.3	1.57	3.42
	80	16.6	1.40	3.49	16.7	1.39	3.54	16.9	1.37	3.60

**Note:**

- All capacities include indoor fan heat. kW values are for the system (outdoor + indoor).

## Multipliers for determining the performance with other indoor sections

**Table 26: Coil multipliers - 4 ton heating**

Air handler	Coil	MBH	COP	kW
AE60DX21	—	1.02	1.05	0.97
AE60DX21	—	1.02	1.05	0.97
AVC60DX21	—	1.05	1.08	0.97

**Table 26: Coil multipliers - 4 ton heating**

Air handler	Coil	MBH	COP	kW
AVC60DX21	—	1.05	1.08	0.97
ME14DN21	CF/CM64D	1.02	1.07	0.96
ME14DN21	XAFD60J	1.03	1.09	0.94
ME14DN21	XAHD60J	1.01	1.06	0.95
MVC14DN21	CF/CM64D	1.01	1.07	0.94
MVC14DN21	XAFD60J	1.02	1.10	0.92
MVC14DN21	XAHD60J	1.01	1.08	0.93
MVC20DN21	CF/CM64D	1.04	1.11	0.94
ME16CN21	XAFC60H	1.06	1.08	0.99
ME16CN21	XAHC60H	1.04	1.04	1.01
MVC16CN21	XAFC60H	1.05	1.09	0.97
MVC16CN21	XAHC60H	1.03	1.07	0.97
ME12CN21	XAHC60H	1.01	1.03	0.98
ME12CN21	XAFC60H	1.03	1.05	0.98
MVC12CN21	XAFC60H	1.04	1.06	0.98
MVC12CN21	XAHC60H	1.01	1.04	0.97
JHETC60HXS2N1	—	1.06	1.09	0.97
JHETD60JXS2N1	—	1.05	1.14	0.92
JHVTC60HXXC2N1	—	1.06	1.10	0.97
JHVTD60JXXC2N1	—	1.05	1.16	0.91

**Table 27: Furnace multipliers - 4 ton heating**

Furnace	Coil	MBH	COP	kW
TMLE100C16MP11	XAHD60J	1.03	1.05	0.98
TL9E080C16UH11	XAHC60H	1.03	1.00	1.03
TL8E080C16UH11	XAHD60J	1.03	1.04	0.99
TL8E080C16UH11	XAHC60H	1.02	1.00	1.02
TM9Y100C16MP11	XAHC60H	1.03	1.02	1.01
TM9Y080C16MP11	XAHC60H	1.03	1.02	1.01
TMLV100C16MP12C	XAHD60J	1.01	1.04	0.97
TPLC080C16MP13C	XAHD60J	1.01	1.04	0.97
TPLC100C16MP13C	XAHD60J	1.01	1.04	0.97
YPLC080C16MP13C	XAHD60J	1.01	1.04	0.97
YPLC100C16MP13C	XAHD60J	1.01	1.04	0.97
TM8E100C16MP11	XAHD60J	1.03	1.05	0.98
TM8Y100C16MP11	XAHD60J	1.02	1.05	0.97
TM8Y080C16MP11	XAHD60J	1.02	1.05	0.97
TM8Y100C16MP11	XAHC60H	1.04	1.02	1.02
TM8Y080C16MP11	XAHC60H	1.04	1.02	1.02
TM8V100C16MP12C	XAHD60J	1.01	1.04	0.97
TM8V080C16MP12C	XAHD60J	1.01	1.04	0.97
TM9V100C20MP12C	XAHC60H	1.05	1.04	1.01
TP9C100C20MP13C	XAHC60H	1.05	1.04	1.01
YP9C100C20MP13C	XAHC60H	1.05	1.04	1.01
TM9V100C16MP12C	XAHC60H	1.04	1.04	1.01
TP9C100C16MP13C	XAHC60H	1.04	1.04	1.01
YP9C100C16MP13C	XAHC60H	1.04	1.04	1.01
TM9V120D20MP12C	XAHD60J	1.04	1.07	0.97
TP9C120D20MP13C	XAHD60J	1.04	1.07	0.97
YP9C120D20MP13C	XAHD60J	1.04	1.07	0.97
TMLE080C16MP11	XAHD60J	1.03	1.05	0.98
TL9E080C16UH11	XAHD60J	1.01	1.02	0.99
TL8E100C20UH11	XAHD60J	1.03	1.06	0.97

**Table 27: Furnace multipliers - 4 ton heating**

Furnace	Coil	MBH	COP	kW
TL8E100C20UH11	XAHC60H	1.04	1.04	1.01
YPLC100C16MP13C	XAHC60H	1.03	1.02	1.01
TM8E120C16MP11	XAHD60J	1.03	1.05	0.98
TMLE120C16MP11	XAHD60J	1.03	1.05	0.98
TM8E120C16MP11	XAHC60H	1.04	1.03	1.01
TMLE120C16MP11	XAHC60H	1.04	1.03	1.01
TM8E080C16MP11	XAHD60J	1.03	1.05	0.98
TM8V100C16MP12C	XAHC60H	1.03	1.02	1.01
TM8V080C16MP12C	XAHC60H	1.03	1.02	1.01
TMLV100C16MP12C	XAHC60H	1.03	1.02	1.01
TPLC080C16MP13C	XAHC60H	1.03	1.02	1.01
TPLC100C16MP13C	XAHC60H	1.03	1.02	1.01
YPLC080C16MP13C	XAHC60H	1.03	1.02	1.01
TM8V100C20MP12C	XAHD60J	1.01	1.05	0.96
TMLV120C20MP12C	XAHD60J	1.01	1.05	0.96
TPLC100C20MP13C	XAHD60J	1.01	1.05	0.96
TPLC120C20MP13C	XAHD60J	1.01	1.05	0.96
YPLC100C20MP13C	XAHD60J	1.01	1.05	0.96
YPLC120C20MP13C	XAHD60J	1.01	1.05	0.96
YP9C080C16MP13C	XAHC60H	1.04	1.02	1.02
TM8Y120C20MP11	XAHD60J	1.02	1.06	0.96
TM8Y100C20MP11	XAHD60J	1.02	1.06	0.96
TM8Y120C20MP11	XAHC60H	1.04	1.03	1.01
TM8Y100C20MP11	XAHC60H	1.04	1.03	1.01
TM8V120C20MP12C	XAHD60J	1.01	1.05	0.96
YP9C100C16MP13C	XAHD60J	1.04	1.06	0.98
TM9V080C16MP12C	XAHD60J	1.02	1.04	0.98
TP9C080C16MP13C	XAHD60J	1.02	1.04	0.98
YP9C080C16MP13C	XAHD60J	1.02	1.04	0.98
TM9V080C16MP12C	XAHC60H	1.04	1.02	1.02
TP9C080C16MP13C	XAHC60H	1.04	1.02	1.02
TM9Y080C16MP11	XAHD60J	1.01	1.03	0.98
TM9V100C20MP12C	XAHD60J	1.03	1.06	0.97
TP9C100C20MP13C	XAHD60J	1.03	1.06	0.97
YP9C100C20MP13C	XAHD60J	1.03	1.06	0.97
TM9V100C16MP12C	XAHD60J	1.04	1.06	0.98
TP9C100C16MP13C	XAHD60J	1.04	1.06	0.98
TM9Y120D20MP11	XAHD60J	1.02	1.06	0.96
TM9Y100C16MP11	XAHD60J	1.01	1.03	0.98
TM8Y100C20MP11	CF/CM64D	1.03	1.06	0.97
TM8Y080C16MP11	CF/CM64D	1.03	1.04	1.00
TM8Y120C20MP11	CF/CM64D	1.03	1.06	0.97
TMLE080C16MP11	CF/CM64D	1.03	1.05	0.98
TM9Y120D20MP11	CF/CM64D	1.03	1.06	0.97
TM9Y080C16MP11	CF/CM64D	1.02	1.03	0.99
TM9E080C16MP12	CF/CM64D	1.04	1.04	1.00
TMLV120C20MP12C	CF/CM64D	1.03	1.06	0.97
TPLC100C20MP13C	CF/CM64D	1.03	1.06	0.97
TPLC120C20MP13C	CF/CM64D	1.03	1.06	0.97
YPLC100C20MP13C	CF/CM64D	1.03	1.06	0.97
YPLC120C20MP13C	CF/CM64D	1.03	1.06	0.97
TM8E080C16MP11	CF/CM64D	1.03	1.05	0.98
TM9V100C16MP12C	CF/CM64D	1.04	1.06	0.98



**Table 27: Furnace multipliers - 4 ton heating**

Furnace	Coil	MBH	COP	kW
TP9C100C16MP13C	CF/CM64D	1.04	1.06	0.98
YP9C100C16MP13C	CF/CM64D	1.04	1.06	0.98
TM8V120C20MP12C	CF/CM64D	1.03	1.06	0.97
TM8V100C20MP12C	CF/CM64D	1.03	1.06	0.97
TM9V080C16MP12C	CF/CM64D	1.03	1.04	0.99
TP9C080C16MP13C	CF/CM64D	1.03	1.04	0.99
YP9C080C16MP13C	CF/CM64D	1.03	1.04	0.99
TL9E080C16UH11	CF/CM64D	1.02	1.02	1.00
TM9Y100C16MP11	CF/CM64D	1.02	1.03	0.99
TM9E100C16MP12	CF/CM64D	1.04	1.05	0.99
TP9C120D20MP13C	CF/CM64D	1.04	1.07	0.97
YP9C120D20MP13C	CF/CM64D	1.04	1.07	0.97
TM9V100C20MP12C	CF/CM64D	1.04	1.06	0.98
TP9C100C20MP13C	CF/CM64D	1.04	1.06	0.98
YP9C100C20MP13C	CF/CM64D	1.04	1.06	0.98
TL8E100C20UH11	CF/CM64D	1.03	1.07	0.97
TM9V120D20MP12C	CF/CM64D	1.04	1.07	0.97
TL8E080C16UH11	CF/CM64D	1.03	1.04	0.99
YPLC080C16MP13C	CF/CM64D	1.02	1.04	0.98
YPLC100C16MP13C	CF/CM64D	1.02	1.04	0.98
TM8E120C16MP11	CF/CM64D	1.03	1.05	0.98
TMLE120C16MP11	CF/CM64D	1.03	1.05	0.98
TM8E100C16MP11	CF/CM64D	1.03	1.05	0.98
TMLE100C16MP11	CF/CM64D	1.03	1.05	0.98
TM8V100C16MP12C	CF/CM64D	1.02	1.04	0.98
TM8V080C16MP12C	CF/CM64D	1.02	1.04	0.98
TMLV100C16MP12C	CF/CM64D	1.02	1.04	0.98
TPLC080C16MP13C	CF/CM64D	1.02	1.04	0.98
TPLC100C16MP13C	CF/CM64D	1.02	1.04	0.98
TM8E080C16MP11	XAFD60J	1.05	1.07	0.98
TMLE080C16MP11	XAFD60J	1.05	1.07	0.98
YPLC100C20MP13C	XAFD60J	1.04	1.09	0.96
YPLC120C20MP13C	XAFD60J	1.04	1.09	0.96
TM8E120C16MP11	XAFD60J	1.04	1.07	0.97
TMLE120C16MP11	XAFD60J	1.04	1.07	0.97
TM8E100C16MP11	XAFD60J	1.05	1.07	0.98
TMLE100C16MP11	XAFD60J	1.05	1.07	0.98
YP9C100C16MP13C	XAFD60J	1.05	1.08	0.97
TM8V120C20MP12C	XAFD60J	1.04	1.09	0.96
TM8V100C20MP12C	XAFD60J	1.04	1.09	0.96
TMLV120C20MP12C	XAFD60J	1.04	1.09	0.96
TPLC100C20MP13C	XAFD60J	1.04	1.09	0.96
TPLC120C20MP13C	XAFD60J	1.04	1.09	0.96
TM9V100C16MP12C	XAFD60J	1.05	1.08	0.97
TP9C100C16MP13C	XAFD60J	1.05	1.08	0.97
TPLC100C16MP13C	XAFC60H	1.05	1.04	1.01
YPLC080C16MP13C	XAFC60H	1.05	1.04	1.01
YPLC100C16MP13C	XAFC60H	1.05	1.04	1.01
TL9E080C16UH11	XAFD60J	1.03	1.05	0.98
TL9E080C16UH11	XAFC60H	1.05	1.03	1.02
TL8E080C16UH11	XAFC60H	1.04	1.03	1.01
YPLC100C20MP13C	XAFC60H	1.04	1.05	0.99
YPLC120C20MP13C	XAFC60H	1.04	1.05	0.99

**Table 27: Furnace multipliers - 4 ton heating**

Furnace	Coil	MBH	COP	kw
TM8V100C16MP12C	XAFC60H	1.05	1.04	1.01
TM8V080C16MP12C	XAFC60H	1.05	1.04	1.01
TMLV100C16MP12C	XAFC60H	1.05	1.04	1.01
TPLC080C16MP13C	XAFC60H	1.05	1.04	1.01
TM8Y080C16MP11	XAFC60H	1.06	1.04	1.02
TM8V120C20MP12C	XAFC60H	1.04	1.05	0.99
TM8V100C20MP12C	XAFC60H	1.04	1.05	0.99
TMLV120C20MP12C	XAFC60H	1.04	1.05	0.99
TPLC100C20MP13C	XAFC60H	1.04	1.05	0.99
TPLC120C20MP13C	XAFC60H	1.04	1.05	0.99
YP9C080C16MP13C	XAFC60H	1.06	1.05	1.01
TM8Y120C20MP11	XAFC60H	1.06	1.05	1.01
TM8Y100C20MP11	XAFC60H	1.06	1.05	1.01
TM8Y100C16MP11	XAFD60J	1.04	1.07	0.97
TM8Y080C16MP11	XAFD60J	1.04	1.07	0.97
TM8Y100C16MP11	XAFC60H	1.06	1.04	1.02
TM9Y120D20MP11	XAFD60J	1.04	1.09	0.95
TM9Y100C16MP11	XAFD60J	1.03	1.05	0.98
TM9V080C16MP12C	XAFC60H	1.06	1.05	1.01
TP9C080C16MP13C	XAFC60H	1.06	1.05	1.01
TM8Y100C20MP11	XAFD60J	1.04	1.09	0.96
TL8E100C20UH11	XAFD60J	1.05	1.09	0.96
TL8E080C16UH11	XAFD60J	1.05	1.07	0.99
TM9Y100C16MP11	XAFC60H	1.05	1.04	1.01
TM9Y080C16MP11	XAFC60H	1.05	1.03	1.02
TP9C120D20MP13C	XAFD60J	1.05	1.10	0.96
YP9C120D20MP13C	XAFD60J	1.05	1.10	0.96
TM9V100C20MP12C	XAFD60J	1.05	1.09	0.97
TP9C100C20MP13C	XAFD60J	1.05	1.09	0.97
YP9C100C20MP13C	XAFD60J	1.05	1.09	0.97
TM8Y120C20MP11	XAFD60J	1.04	1.09	0.96
TM9V120D20MP12C	XAFD60J	1.05	1.10	0.96
TMLE100C16MP11	XAFC60H	1.06	1.05	1.01
TM8E080C16MP11	XAFC60H	1.06	1.05	1.01
TMLE080C16MP11	XAFC60H	1.06	1.05	1.01
TL8E100C20UH11	XAFC60H	1.06	1.06	1.00
TPLC100C16MP13C	XAFD60J	1.03	1.06	0.97
YPLC080C16MP13C	XAFD60J	1.03	1.06	0.97
YPLC100C16MP13C	XAFD60J	1.03	1.06	0.97
TM8E120C16MP11	XAFC60H	1.06	1.05	1.01
TMLE120C16MP11	XAFC60H	1.06	1.05	1.01
TM8E100C16MP11	XAFC60H	1.06	1.05	1.01
YP9C080C16MP13C	XAFD60J	1.04	1.06	0.98
TM9E080B12MP12	XAFC60H	1.04	1.01	1.03
TM8V100C16MP12C	XAFD60J	1.03	1.06	0.97
TM8V080C16MP12C	XAFD60J	1.03	1.06	0.97
TMLV100C16MP12C	XAFD60J	1.03	1.06	0.97
TPLC080C16MP13C	XAFD60J	1.03	1.06	0.97
YP9C100C20MP13C	XAFC60H	1.06	1.07	0.99
TM9V100C16MP12C	XAFC60H	1.06	1.07	0.99
TP9C100C16MP13C	XAFC60H	1.06	1.07	0.99
YP9C100C16MP13C	XAFC60H	1.06	1.07	0.99
TM9V080C16MP12C	XAFD60J	1.04	1.06	0.98

**Table 27: Furnace multipliers - 4 ton heating**

<b>Furnace</b>	<b>Coil</b>	<b>MBH</b>	<b>COP</b>	<b>kW</b>
TP9C080C16MP13C	XAFD60J	1.04	1.06	0.98
TM9Y080C16MP11	XAFD60J	1.03	1.05	0.98
TM9V100C20MP12C	XAFC60H	1.06	1.07	0.99
TP9C100C20MP13C	XAFC60H	1.06	1.07	0.99

# Performance data - 5 ton

## Cooling performance data - 5 ton

**Table 28: Cooling performance data - 5 ton - air temperature (°F) entering outdoor unit**

Outdoor unit model: HMM72B601S																	
Air temp (°F)	ID CFM	1500					1750					2000					
	ID DB (°F)	80	80	75	80	80	80	80	75	80	80	80	80	80	75	80	80
	ID WB (°F)	57	62	62	67	72	57	62	62	67	72	57	62	62	67	72	
55	T.C.	55.2	60.6	60.4	64.4	67.7	56.8	61.7	61.7	65.2	68.2	59.1	63.3	63.7	66.4	69.0	
	S.C.	53.7	47.1	41.2	39.8	32.6	55.8	49.0	42.6	41.0	33.5	59.1	51.9	44.8	42.8	34.8	
	kW	4.39	4.41	4.42	4.47	4.50	4.47	4.51	4.50	4.55	4.58	4.58	4.66	4.63	4.68	4.70	
65	T.C.	53.0	57.8	57.5	61.5	64.7	54.6	58.9	58.7	62.3	65.2	56.9	60.5	60.5	63.5	66.0	
	S.C.	52.7	46.6	40.3	39.1	32.1	54.3	48.7	41.9	40.4	32.9	56.9	51.7	44.3	42.3	34.1	
	kW	4.85	4.88	4.88	4.96	5.01	4.93	4.98	4.97	5.05	5.10	5.05	5.14	5.11	5.18	5.23	
75	T.C.	50.8	55.1	54.6	58.6	61.7	52.4	56.1	55.7	59.4	62.2	54.6	57.6	57.3	60.5	62.9	
	S.C.	50.8	46.0	39.4	38.2	31.5	52.4	48.2	41.1	39.6	32.2	54.6	51.4	43.6	41.7	33.3	
	kW	5.32	5.35	5.35	5.45	5.52	5.40	5.46	5.45	5.55	5.61	5.52	5.62	5.59	5.69	5.76	
85	T.C.	48.6	52.3	51.7	55.7	58.8	50.2	53.3	52.6	56.4	59.2	52.4	54.8	54.1	57.5	59.8	
	S.C.	48.6	45.2	38.3	37.3	30.8	50.2	47.5	40.1	38.7	31.5	52.4	50.8	42.7	40.9	32.5	
	kW	5.78	5.82	5.81	5.94	6.02	5.86	5.93	5.92	6.04	6.13	5.99	6.10	6.07	6.20	6.29	
95	T.C.	46.4	49.5	48.7	52.8	55.8	48.0	50.5	49.6	53.5	56.2	50.2	52.0	50.9	54.5	56.7	
	S.C.	46.4	44.3	37.1	36.2	30.0	48.0	46.6	38.9	37.7	30.6	50.2	50.1	41.7	40.0	31.5	
	kW	6.24	6.28	6.28	6.44	6.53	6.33	6.40	6.39	6.54	6.64	6.46	6.58	6.55	6.70	6.81	
105	T.C.	43.2	45.0	44.3	48.5	49.5	44.5	45.0	44.5	48.1	49.1	46.6	45.0	44.9	47.5	48.5	
	S.C.	43.2	41.9	35.4	34.4	28.2	44.5	43.1	37.0	39.7	36.3	46.6	45.0	39.5	47.5	48.5	
	kW	6.44	6.64	6.73	6.74	6.50	6.46	6.67	6.76	6.73	6.29	6.50	6.72	6.79	6.72	5.97	
115	T.C.	34.6	33.9	33.7	37.2	37.5	35.4	34.1	33.9	37.1	37.2	36.6	34.5	34.1	36.8	36.8	
	S.C.	34.6	33.9	30.7	30.1	21.8	35.4	34.1	32.1	32.8	27.8	36.6	34.5	34.1	36.8	36.8	
	kW	5.38	5	5.32	5.46	5.32	5.44	5.47	5.42	5.51	5.13	5.55	5.50	5.57	5.59	4.85	

**Note:**

- All capacities include indoor fan heat. kW values are for the system (outdoor + indoor).
- Drive output is limited in the shaded area. Performance may vary and interpolation is not permissible.

## Multipliers for determining the performance with other indoor sections

**Table 29: Coil multipliers - 5 ton cooling**

Air handler	Coil	T.C.	S.C.	kW
AE60DX21	—	1.09	1.06	1.05
AE60DX21	—	1.09	1.06	1.05
AVC60DX21	—	1.07	1.03	1.07
AVC60DX21	—	1.07	1.03	1.07
ME20DN21	CF/CM64D	1.10	1.09	1.06
ME20DN21	XAFD60J	1.10	1.10	1.09
ME20DN21	XAHD60J	1.07	1.06	1.10
MVC20DN21	CF/CM64D	1.10	1.09	1.06
MVC20DN21	XAFD60J	1.10	1.10	1.09
MVC20DN21	XAHD60J	1.07	1.07	1.10
JHETD60JXXS2N1	—	1.08	1.05	1.04
JHVTD60JXXC2N1	—	1.08	1.03	1.04
JMET18DS2N1A	XAHD60J	1.07	1.03	1.03
JMET18DS2N1A	XAFD60J	1.08	1.05	1.04
JMVT20DC2N1A	XAFD60J	1.07	1.02	1.03
JMVT20DC2N1A	XAHD60J	1.06	1.00	1.05

**Table 30: Furnace multipliers - 5 ton cooling**

Furnace	Coil	T.C.	S.C.	kW
TMLE080C16MP11	XAHD60J	1.04	0.98	1.06
TL9E100C20UH11	XAHD60J	1.05	0.99	1.07
TL8E080C16UH11	XAHD60J	1.04	0.98	1.06
TMLE120C16MP11	XAHD60J	1.05	0.99	1.07
TM8E100C16MP11	XAHD60J	1.04	0.98	1.06
TMLE100C16MP11	XAHD60J	1.04	0.98	1.06
TM8E080C20MP11	XAHD60J	1.05	0.99	1.04
TMLE080C20MP11	XAHD60J	1.05	0.99	1.04
TM8E080C16MP11	XAHD60J	1.04	0.98	1.06
TM9E120D20MP12	XAHD60J	1.05	0.99	1.07
TM9E100C20MP12	XAHD60J	1.05	1.01	1.07
TM9E080C20MP12	XAHD60J	1.06	1.02	1.08
TM8Y120C20MP11	XAHD60J	1.05	0.99	1.04
TM8Y100C20MP11	XAHD60J	1.05	0.99	1.04
TM8E120C16MP11	XAHD60J	1.05	0.99	1.07
TM9V120D20MP12C	XAHD60J	1.05	1.00	1.07
TP9C120D20MP13C	XAHD60J	1.05	1.00	1.07
YP9C120D20MP13C	XAHD60J	1.05	1.00	1.07
TM9V100C16MP12C	XAHD60J	1.05	1.00	1.07
TP9C100C16MP13C	XAHD60J	1.05	1.00	1.07
YP9C100C16MP13C	XAHD60J	1.05	1.00	1.07
TM9Y120D20MP11	XAHD60J	1.05	0.99	1.07
TM9Y100C20MP11	XAHD60J	1.04	0.98	1.03
TM8Y080C16MP11	XAHD60J	1.04	0.98	1.06
TM8E100C20MP11	XAHD60J	1.04	0.97	1.03
TMLE100C20MP11	XAHD60J	1.04	0.97	1.03
TL8E100C20UH11	XAHD60J	1.05	0.99	1.04
TM9V100C20MP12C	XAHD60J	1.05	1.00	1.07
TP9C100C20MP13C	XAHD60J	1.05	1.00	1.07
YP9C100C20MP13C	XAHD60J	1.05	1.00	1.07
TM8Y100C16MP11	XAHD60J	1.04	0.98	1.06
TM8Y120C20MP11	CF/CM64D	1.07	1.00	1.03
TM8Y100C20MP11	CF/CM64D	1.07	1.00	1.03
TM9Y120D20MP11	CF/CM64D	1.07	1.00	1.06
TM8E120C16MP11	CF/CM64D	1.07	1.00	1.06
TMLE120C16MP11	CF/CM64D	1.07	1.00	1.06
TM8E100C16MP11	CF/CM64D	1.07	1.00	1.06
TMLE100C16MP11	CF/CM64D	1.07	1.00	1.06
TL8E100C20UH11	CF/CM64D	1.07	1.01	1.03
TL8E080C16UH11	CF/CM64D	1.06	0.99	1.05
TPLC100C20MP13C	CF/CM64D	1.07	1.03	1.07
TPLC120C20MP13C	CF/CM64D	1.07	1.03	1.07
YPLC100C20MP13C	CF/CM64D	1.07	1.03	1.07
YPLC120C20MP13C	CF/CM64D	1.07	1.03	1.07
TM8E120C20MP11	CF/CM64D	1.07	1.00	1.03
TMLE120C20MP11	CF/CM64D	1.07	1.00	1.03
YP9C080C16MP13C	CF/CM64D	1.06	0.99	1.05
TM9E100C20MP12	CF/CM64D	1.07	1.03	1.07
TM9E080C20MP12	CF/CM64D	1.07	1.03	1.07
TM8V120C20MP12C	CF/CM64D	1.07	1.03	1.07
TM8V100C20MP12C	CF/CM64D	1.07	1.03	1.07
TMLV120C20MP12C	CF/CM64D	1.07	1.03	1.07
TM9V100C20MP12C	CF/CM64D	1.07	1.01	1.06

**Table 30: Furnace multipliers - 5 ton cooling**

Furnace	Coil	T.C.	S.C.	kW
TP9C100C20MP13C	CF/CM64D	1.07	1.01	1.06
YP9C100C20MP13C	CF/CM64D	1.07	1.01	1.06
TM9V080C16MP12C	CF/CM64D	1.06	0.99	1.05
TP9C080C16MP13C	CF/CM64D	1.06	0.99	1.05
TM8Y080C16MP11	CF/CM64D	1.06	0.99	1.05
TM9Y100C20MP11	CF/CM64D	1.06	0.99	1.05
TL9E100C20UH11	CF/CM64D	1.07	1.01	1.06
TM8E100C20MP11	CF/CM64D	1.07	1.03	1.07
TMLE100C20MP11	CF/CM64D	1.07	1.03	1.07
TM8E080C20MP11	CF/CM64D	1.07	1.00	1.03
TMLE080C20MP11	CF/CM64D	1.07	1.00	1.03
TM8E080C16MP11	CF/CM64D	1.07	1.00	1.06
TMLE080C16MP11	CF/CM64D	1.07	1.00	1.06
TP9C120D20MP13C	CF/CM64D	1.08	1.05	1.07
YP9C120D20MP13C	CF/CM64D	1.08	1.05	1.07
TM9V100C16MP12C	CF/CM64D	1.07	1.01	1.06
TP9C100C16MP13C	CF/CM64D	1.07	1.01	1.06
YP9C100C16MP13C	CF/CM64D	1.07	1.01	1.06
TM9E120D20MP12	CF/CM64D	1.07	1.03	1.07
TM9V120D20MP12C	CF/CM64D	1.08	1.05	1.07
TPLC120C20MP13C	XAFD60J	1.08	1.06	1.07
YPLC100C20MP13C	XAFD60J	1.08	1.06	1.07
YPLC120C20MP13C	XAFD60J	1.08	1.06	1.07
TM8E120C16MP11	XAFD60J	1.07	1.01	1.06
TMLE120C16MP11	XAFD60J	1.07	1.01	1.06
TM9E100C20MP12	XAFD60J	1.07	1.03	1.07
TM9E080C20MP12	XAFD60J	1.08	1.06	1.07
TM8V120C20MP12C	XAFD60J	1.08	1.06	1.07
TM8V100C20MP12C	XAFD60J	1.08	1.06	1.07
TMLV120C20MP12C	XAFD60J	1.08	1.06	1.07
TPLC100C20MP13C	XAFD60J	1.08	1.06	1.07
TP9C100C20MP13C	XAFD60J	1.07	1.01	1.06
YP9C100C20MP13C	XAFD60J	1.07	1.01	1.06
TM9V100C16MP12C	XAFD60J	1.07	1.01	1.06
TP9C100C16MP13C	XAFD60J	1.07	1.01	1.06
YP9C100C16MP13C	XAFD60J	1.07	1.01	1.06
TM9E120D20MP12	XAFD60J	1.07	1.03	1.07
TM9Y120D20MP11	XAFD60J	1.07	1.01	1.06
TM9Y100C20MP11	XAFD60J	1.07	1.01	1.06
TM9V120D20MP12C	XAFD60J	1.08	1.06	1.07
TP9C120D20MP13C	XAFD60J	1.08	1.06	1.07
YP9C120D20MP13C	XAFD60J	1.08	1.06	1.07
TM9V100C20MP12C	XAFD60J	1.07	1.01	1.06
TL8E080C16UH11	XAFD60J	1.07	1.01	1.06
TM8E080C20MP11	XAFD60J	1.07	1.01	1.06
TMLE080C20MP11	XAFD60J	1.07	1.01	1.06
TM8E080C16MP11	XAFD60J	1.07	1.01	1.06
TMLE080C16MP11	XAFD60J	1.07	1.01	1.06
TL9E100C20UH11	XAFD60J	1.07	1.02	1.07
TL8E100C20UH11	XAFD60J	1.07	1.02	1.07
TM8Y100C16MP11	XAFD60J	1.07	1.01	1.06
TM8Y080C16MP11	XAFD60J	1.07	1.01	1.06
TM8E100C20MP11	XAFD60J	1.07	1.00	1.06

**Table 30: Furnace multipliers - 5 ton cooling**

Furnace	Coil	T.C.	S.C.	kW
TMLE100C20MP11	XAFD60J	1.07	1.00	1.06
TM8E100C16MP11	XAFD60J	1.07	1.01	1.06
TMLE100C16MP11	XAFD60J	1.07	1.01	1.06
TM8Y120C20MP11	XAFD60J	1.07	1.01	1.06
TM8Y100C20MP11	XAFD60J	1.07	1.01	1.06

## Heating performance data - 5 ton

**Table 31: Heating performance data - 5 ton - air temperature (°F) entering outdoor unit**

Outdoor unit model: HMH72B601S										
Air temperature (°F)		ID CFM								
		1500			1750			2000		
Entering outdoor unit	Entering indoor coil	MBH	COP	kW	MBH	COP	kW	MBH	COP	kW
60	60	62.4	3.69	4.95	63.1	3.80	4.87	63.9	3.91	4.79
	70	59.6	3.29	5.30	60.8	3.41	5.23	64.0	3.64	5.16
	80	58.6	3.02	5.69	61.4	3.18	5.65	64.2	3.35	5.62
47	60	54.9	3.41	4.72	55.8	3.51	4.67	56.8	3.61	4.61
	70	52.1	3.04	5.02	53.2	3.13	4.98	54.3	3.22	4.94
	80	50.4	2.76	5.36	53.2	2.91	5.36	56.0	3.06	5.36
40	60	50.9	3.25	4.59	51.9	3.34	4.55	52.9	3.43	4.52
	70	48.1	2.89	4.87	49.1	2.97	4.85	52.2	3.18	4.82
	80	46.0	2.60	5.19	48.8	2.75	5.20	51.5	2.89	5.22
30	60	45.1	3.00	4.40	46.3	3.09	4.39	47.5	3.18	4.38
	70	42.4	2.67	4.66	43.3	2.72	4.65	46.4	2.92	4.65
	80	39.7	2.35	4.94	42.5	2.50	4.98	45.2	2.64	5.02
17	60	37.6	2.65	4.16	39.0	2.73	4.18	40.4	2.82	4.20
	70	34.9	2.34	4.38	35.7	2.37	4.41	38.7	2.56	4.43
	80	31.5	2.00	4.62	34.3	2.14	4.69	37.0	2.28	4.76
10	60	33.6	2.44	4.04	35.1	2.52	4.07	36.6	2.61	4.11
	70	30.9	2.14	4.23	31.6	2.17	4.27	34.6	2.35	4.31
	80	27.1	1.79	4.45	29.9	1.93	4.53	32.6	2.07	4.62
0	60	27.8	2.12	3.85	29.5	2.21	3.91	31.1	2.30	3.97
	70	25.2	1.84	4.02	25.7	1.85	4.08	28.7	2.03	4.14
	80	20.8	1.45	4.20	23.6	1.60	4.31	26.3	1.75	4.42

**Note:**

- All capacities include indoor fan heat. kW values are for the system (outdoor + indoor).

## Multipliers for determining the performance with other indoor sections

**Table 32: Coil multipliers - 5 ton heating**

Air handler	Coil	MBH	COP	kW
AE60DX21	—	1.05	1.03	1.02
AE60DX21	—	1.05	1.03	1.02
AVC60DX21	—	1.05	1.03	1.02
AVC60DX21	—	1.05	1.03	1.02
ME20DN21	CF/CM64D	1.06	1.07	1.00
ME20DN21	XAFD60J	1.10	1.07	1.03
ME20DN21	XAHD60J	1.07	1.04	1.03
MVC20DN21	CF/CM64D	1.06	1.07	1.00
MVC20DN21	XAFD60J	1.10	1.07	1.03
MVC20DN21	XAHD60J	1.08	1.05	1.03
JHETD60JXXS2N1	—	1.07	1.05	1.02
JHVTD60JXXC2N1	—	1.07	1.04	1.03
JMET18DS2N1A	XAHD60J	1.05	1.02	1.03



**Table 32: Coil multipliers - 5 ton heating**

Air handler	Coil	MBH	COP	kW
JMET18DS2N1A	XAFD60J	1.07	1.05	1.02
JMVT20DC2N1A	XAFD60J	1.06	1.03	1.03
JMVT20DC2N1A	XAHD60J	1.04	1.02	1.03

**Table 33: Furnace multipliers - 5 ton heating**

Furnace	Coil	MBH	COP	kW
TMLE080C16MP11	XAHD60J	1.05	0.99	1.06
TL9E100C20UH11	XAHD60J	1.05	1.00	1.06
TL8E080C16UH11	XAHD60J	1.05	0.98	1.07
TMLE120C16MP11	XAHD60J	1.05	1.00	1.06
TM8E100C16MP11	XAHD60J	1.05	0.99	1.06
TMLE100C16MP11	XAHD60J	1.05	0.99	1.06
TM8E080C20MP11	XAHD60J	1.04	1.00	1.05
TMLE080C20MP11	XAHD60J	1.04	1.00	1.05
TM8E080C16MP11	XAHD60J	1.05	0.99	1.06
TM9E120D20MP12	XAHD60J	1.05	1.00	1.06
TM9E100C20MP12	XAHD60J	1.06	1.00	1.06
TM9E080C20MP12	XAHD60J	1.07	1.01	1.06
TM8Y120C20MP11	XAHD60J	1.04	1.00	1.05
TM8Y100C20MP11	XAHD60J	1.04	1.00	1.05
TM8E120C16MP11	XAHD60J	1.05	1.00	1.06
TM9V120D20MP12C	XAHD60J	1.06	1.00	1.06
TP9C120D20MP13C	XAHD60J	1.06	1.00	1.06
YP9C120D20MP13C	XAHD60J	1.06	1.00	1.06
TM9V100C16MP12C	XAHD60J	1.06	1.00	1.07
TP9C100C16MP13C	XAHD60J	1.06	1.00	1.07
YP9C100C16MP13C	XAHD60J	1.06	1.00	1.07
TM9Y120D20MP11	XAHD60J	1.05	1.00	1.06
TM9Y100C20MP11	XAHD60J	1.05	0.99	1.06
TM8Y080C16MP11	XAHD60J	1.05	0.99	1.06
TM8E100C20MP11	XAHD60J	1.04	1.00	1.05
TMLE100C20MP11	XAHD60J	1.04	1.00	1.05
TL8E100C20UH11	XAHD60J	1.05	1.00	1.05
TM9V100C20MP12C	XAHD60J	1.06	0.99	1.07
TP9C100C20MP13C	XAHD60J	1.06	0.99	1.07
YP9C100C20MP13C	XAHD60J	1.06	0.99	1.07
TM8Y100C16MP11	XAHD60J	1.05	0.99	1.06
TM8Y120C20MP11	CF/CM64D	1.03	1.01	1.02
TM8Y100C20MP11	CF/CM64D	1.03	1.01	1.02
TM9Y120D20MP11	CF/CM64D	1.04	1.01	1.03
TM8E120C16MP11	CF/CM64D	1.04	1.01	1.03
TMLE120C16MP11	CF/CM64D	1.04	1.01	1.03
TM8E100C16MP11	CF/CM64D	1.04	1.00	1.04
TMLE100C16MP11	CF/CM64D	1.04	1.00	1.04
TL8E100C20UH11	CF/CM64D	1.04	1.02	1.03
TL8E080C16UH11	CF/CM64D	1.04	1.00	1.04
TPLC100C20MP13C	CF/CM64D	1.05	1.03	1.02
TPLC120C20MP13C	CF/CM64D	1.05	1.03	1.02
YPLC100C20MP13C	CF/CM64D	1.05	1.03	1.02
YPLC120C20MP13C	CF/CM64D	1.05	1.03	1.02
TM8E120C20MP11	CF/CM64D	1.03	1.02	1.02
TMLE120C20MP11	CF/CM64D	1.03	1.02	1.02
YP9C080C16MP13C	CF/CM64D	1.04	1.00	1.05

**Table 33: Furnace multipliers - 5 ton heating**

Furnace	Coil	MBH	COP	kW
TM9E100C20MP12	CF/CM64D	1.05	1.02	1.03
TM9E080C20MP12	CF/CM64D	1.05	1.02	1.03
TM8V120C20MP12C	CF/CM64D	1.05	1.03	1.02
TM8V100C20MP12C	CF/CM64D	1.05	1.03	1.02
TMLV120C20MP12C	CF/CM64D	1.05	1.03	1.02
TM9V100C20MP12C	CF/CM64D	1.04	1.01	1.03
TP9C100C20MP13C	CF/CM64D	1.04	1.01	1.03
YP9C100C20MP13C	CF/CM64D	1.04	1.01	1.03
TM9V080C16MP12C	CF/CM64D	1.04	1.00	1.05
TP9C080C16MP13C	CF/CM64D	1.04	1.00	1.05
TM8Y080C16MP11	CF/CM64D	1.04	1.00	1.05
TM9Y100C20MP11	CF/CM64D	1.04	1.00	1.04
TL9E100C20UH11	CF/CM64D	1.04	1.02	1.03
TM8E100C20MP11	CF/CM64D	1.05	1.02	1.03
TMLE100C20MP11	CF/CM64D	1.05	1.02	1.03
TM8E080C20MP11	CF/CM64D	1.03	1.02	1.02
TMLE080C20MP11	CF/CM64D	1.03	1.02	1.02
TM8E080C16MP11	CF/CM64D	1.04	1.00	1.04
TMLE080C16MP11	CF/CM64D	1.04	1.00	1.04
TP9C120D20MP13C	CF/CM64D	1.06	1.03	1.03
YP9C120D20MP13C	CF/CM64D	1.06	1.03	1.03
TM9V100C16MP12C	CF/CM64D	1.04	1.01	1.03
TP9C100C16MP13C	CF/CM64D	1.04	1.01	1.03
YP9C100C16MP13C	CF/CM64D	1.04	1.01	1.03
TM9E120D20MP12	CF/CM64D	1.05	1.02	1.04
TM9V120D20MP12C	CF/CM64D	1.06	1.03	1.03
TPLC120C20MP13C	XAFD60J	1.10	1.03	1.06
YPLC100C20MP13C	XAFD60J	1.10	1.03	1.06
YPLC120C20MP13C	XAFD60J	1.10	1.03	1.06
TM8E120C16MP11	XAFD60J	1.08	1.02	1.06
TMLE120C16MP11	XAFD60J	1.08	1.02	1.06
TM9E100C20MP12	XAFD60J	1.09	1.03	1.06
TM9E080C20MP12	XAFD60J	1.09	1.03	1.05
TM8V120C20MP12C	XAFD60J	1.10	1.03	1.06
TM8V100C20MP12C	XAFD60J	1.10	1.03	1.06
TMLV120C20MP12C	XAFD60J	1.10	1.03	1.06
TPLC100C20MP13C	XAFD60J	1.10	1.03	1.06
TP9C100C20MP13C	XAFD60J	1.08	1.02	1.06
YP9C100C20MP13C	XAFD60J	1.08	1.02	1.06
TM9V100C16MP12C	XAFD60J	1.08	1.02	1.06
TP9C100C16MP13C	XAFD60J	1.08	1.02	1.06
YP9C100C16MP13C	XAFD60J	1.08	1.02	1.06
TM9E120D20MP12	XAFD60J	1.09	1.03	1.06
TM9Y120D20MP11	XAFD60J	1.07	1.02	1.05
TM9Y100C20MP11	XAFD60J	1.07	1.02	1.05
TM9V120D20MP12C	XAFD60J	1.10	1.03	1.06
TP9C120D20MP13C	XAFD60J	1.10	1.03	1.06
YP9C120D20MP13C	XAFD60J	1.10	1.03	1.06
TM9V100C20MP12C	XAFD60J	1.08	1.02	1.06
TL8E080C16UH11	XAFD60J	1.07	1.01	1.06
TM8E080C20MP11	XAFD60J	1.07	1.02	1.05
TMLE080C20MP11	XAFD60J	1.07	1.02	1.05
TM8E080C16MP11	XAFD60J	1.08	1.02	1.06

**Table 33: Furnace multipliers - 5 ton heating**

<b>Furnace</b>	<b>Coil</b>	<b>MBH</b>	<b>COP</b>	<b>kW</b>
TMLE080C16MP11	XAFD60J	1.08	1.02	1.06
TL9E100C20UH11	XAFD60J	1.08	1.02	1.06
TL8E100C20UH11	XAFD60J	1.07	1.02	1.05
TM8Y100C16MP11	XAFD60J	1.07	1.01	1.06
TM8Y080C16MP11	XAFD60J	1.07	1.01	1.06
TM8E100C20MP11	XAFD60J	1.05	1.02	1.04
TMLE100C20MP11	XAFD60J	1.05	1.02	1.04
TM8E100C16MP11	XAFD60J	1.08	1.02	1.06
TMLE100C16MP11	XAFD60J	1.08	1.02	1.06
TM8Y120C20MP11	XAFD60J	1.07	1.02	1.05
TM8Y100C20MP11	XAFD60J	1.07	1.02	1.05

---

Subject to change without notice. Published in U.S.A. Copyright © 2022 by Johnson Controls. All rights reserved.