



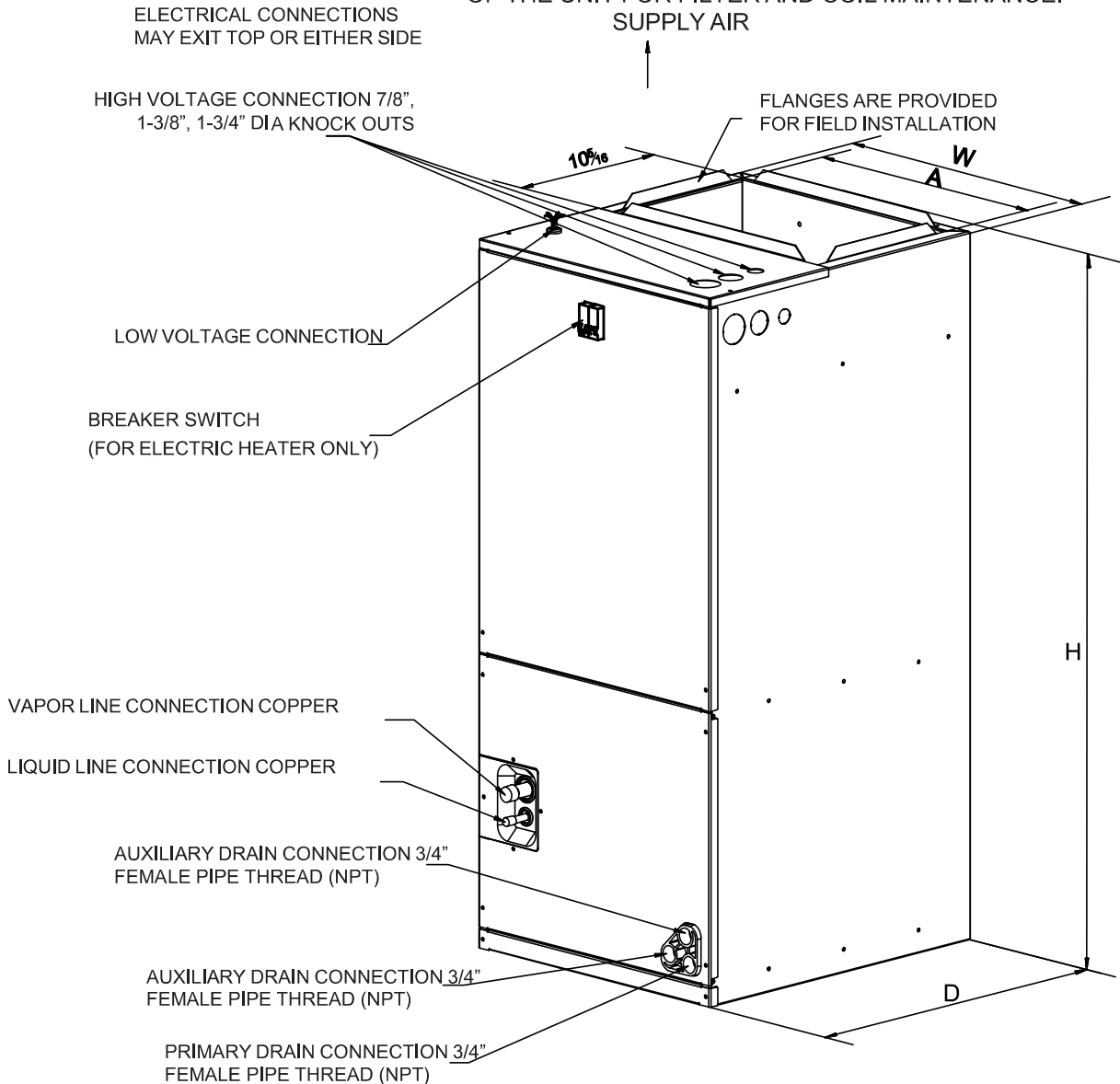
J5AH4P24A1B00AA

TAG: \_\_\_\_\_

**SUBMITTAL**

**2 Ton  
Multi-position PSC Air Handler  
J5AH4P24A1B00AA**

NOTE: 25" CLEARANCE IS REQUIRED IN THE FRONT OF THE UNIT FOR FILTER AND COIL MAINTENANCE.  
SUPPLY AIR



UPFLOW UNIT SHOWN;  
UNIT MAY BE INSTALLED UPFLOW, DOWNFLOW,  
HORIZONTAL RIGHT, OR LEFT AIR SUPPLY.

NOTE: All dimensions are in inches.

Model	W	H	D	A
J5AH4P24A1B00AA	19-5/8	46-1/2	21-5/8	18

# PRODUCT SPECIFICATIONS

PRODUCT SPECIFICATIONS	
MODEL	J5AH4P24A1B00AA
RATED VOLTS/PH/HZ	208/230V/1Ph/60Hz
RATINGS	See O.D. Specifications
Min. Circuit Amps	2.5A
Max. Fuse or MAX CKT.BKR.	15A
INDOOR COIL — Type	Plate Fin
Rows — F.P.I.	4-17
Face Area (sq. ft.)	4
Tube Size (in.)	9/32
Refrigerant Control	Orifice
Drain Conn. Size (in.)	3/4 FPT
DUCT CONNECTIONS	See Outline Drawing
INDOOR FAN — Type	Centrifugal
MOTOR—Type	PSC
Diameter-Width (In.)	10 - 10
No. Used	1
Drive - No. Speeds	Direct - 3
CFM vs. in. w.g.	See Fan Performance Table
No. Motors — H.P.	1 - 1/5
Motor Speed R.P.M.	820
Volts/Ph/Hz	208/230V/1Ph/60Hz
F.L. Amps	2
FILTER	
Filter Furnished?	No
Type Recommended	Throwaway
No.-Size-Thickness	1 - 16 X 20 - 1 in.
REFRIGERANT	R454B
Ref. Line Connections	Brazed
Coupling or Conn. Size — in. Gas	3/4
Coupling or Conn. Size — in. Liq.	3/8
DIMENSIONS	W x H x D
Crated (In.)	22-5/16x 47-1/8x 25-3/8
Uncrated	19-5/8x 46-1/2x 21-5/8
WEIGHT	
Shipping (Lbs.) / Net (Lbs.)	146/130

Heater Kit Model Used	Electric Heat (kW)	Min. Circuit Ampacity		Max. Fuse or Breaker (HACR) Ampacity		Minimum Heating Blower Speed	
		240V	208V	240V	208V	Without HP	With HP
5JAYHTR1A05BK*	5	26.1	22.6	30	25	700	700
5JAYHTR1A08BK*	7.5	39.1	33.9	40	35		
5JAYHTR1A10BK*	10	52.1	45.2	60	50		

## PRODUCT SPECIFICATIONS

---

Optional TXV kit part numbers. Some combinations may require a TXV. See AHRI for system combination ratings.

Outdoor Unit Capacity (Tons)	R454B TXV Kit
1.5-3.0	5AYTXVH3A1836A
3.5-4.0	5AYTXVH3A4248A
5.0	5AYTXVH3A6000A

Note: Factory set at Medium High Speed.

Motor Speed		AIR FLOW PERFORMANCE								
		J5AH4P24A1B00AA								
		External Static Pressure-Inches W.C. (kPa)								
			0(0)	0.1(.02)	0.2(.05)	0.3(.07)	0.4(.10)	0.5(12)	0.6(.15)	0.7(.17)
Low	CFM	1081	1028	977	909	796	714	628	539	407
Medium	CFM	1231	1176	1122	1068	976	851	757	659	552
High	CFM	1434	1371	1311	1249	1185	1081	922	807	689

# Mechanical Specifications

---

- Unique Cabinet Design
- Metal shell and glass cotton thermal insulation layer
- Multi-Position UP/Down Flow Horizontal Left /Right
- Braze in Refrigerant Connection
- Primary/Secondary Condensate Connections
- Blower with Integrated Slide Deck for Easy Removal
- Inner-groove aluminum tube and high-efficiency aluminum fin Coil with Integrated Slide Deck for Easy Removal
- More auxiliary Electric Heaters optional
- PSC 3 Speed Motor
- High Efficiency
- Integrated Horizontal Drain pans and metal Vertical Drain
- Fused 24V Power
- Suitable for Manufactured/Mobile Home Use.



The manufacturer has a policy of continuous product and product data improvement and it reserves the right to change design and specification without notice.

**BX-PRQ- J5AH4P24A1B00AA-1A**