



Job Name	Location		
Purchaser	Engineer		
Submitted to	Reference	Approval	Construction
Unit Designation	Schedule#		

Specifications

Performance	Capacity	Cooling (Btu/h)	18,000
		Heating (Btu/h)	19,000
	SEER		16
	HSPF		Up to 8.0
Condensate (pints/hour)		4.7	

Power (Supplied by condenser)	Voltage (ø/V/Hz)	1/208-230/60
	Running Current (amps)	0.47

Fan	Type		Single Turbo Fan
	Motor	Type	Non Feedback SSR
		Output (W)	55

Airflow (CFM)	Cooling High	375
	Heating High	445

Refrigerant	Type	R410A
	Control Method	Electronic Expansion Valve in outdoor unit

Piping Connections (inches)	Liquid (flare)	1/4"
	Suction (flare)	1/2"
	Drain (Quick Lock)	VP25 (OD 1 1/4, ID 1")

Unit Dimensions	Width (inches)	22 3/4
	Height (inches)	10 1/4
	Depth (inches)	22 5/8
	Weight (lbs.)	38

Panel Dimensions (PMSMA)	Length (inches)	26 1/2
	Width (inches)	1 3/8
	Height (inches)	26 1/2
	Panel Weight (lbs.)	8

Sound Level	High/Low (Db)	41/33
-------------	---------------	-------

Accessories	Front Panel (required)	PMSMA
	Wireless Remote Controller	MR-BH01U

Safety Certifications	ETL & ETLc	
-----------------------	------------	--



- Electro-static, washable, pleated filter as standard
- Built in drain pump with check valve, maximum 29" lift
- Knock-out for outside air capability (≈ 4.2% of total CFM with use of a booster fan)

Construction

Insulated, galvanized steel chassis with a UL94 V0 Fascia Panel

Heat Exchanger

The heat exchanger shall be mechanically bonded fin to copper tube

Indoor Fan

Indoor fan is a single turbo type fan

Three fan speed settings and auto setting

Controls

The unit shall be operated via a wireless or wired remote control with DDC type signal

Control wiring shall be 16AWG X 2 shielded wire

MWR-WH00 wired controller ships with unit as standard

Compatibility

This unit will only operate with Samsung Free Joint Multi (FJM) condensing units: MH050FXCA2A and MH080FXCA4A

\*Nominal cooling capacities are based on: Indoor temperature: 80°F DB, 67°F WB. Outdoor temperature: 95°F DB, 75°F WB. \*Nominal heating capacities are based on: Indoor temperature: 70°F DB, 60°F WB. Outdoor temperature: 47°F DB, 43°F WB.

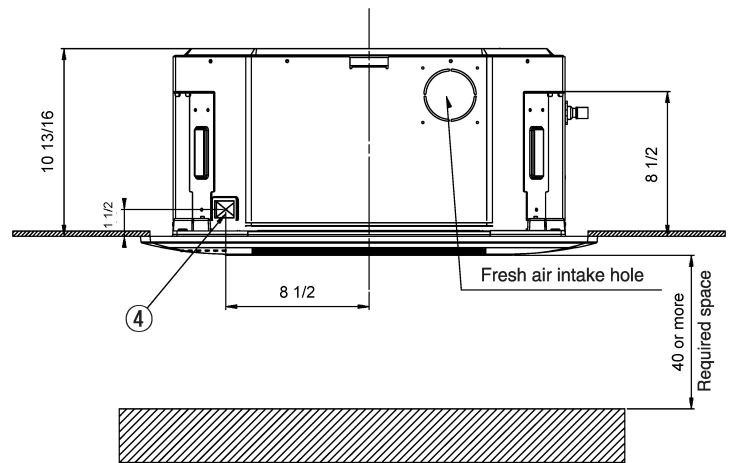
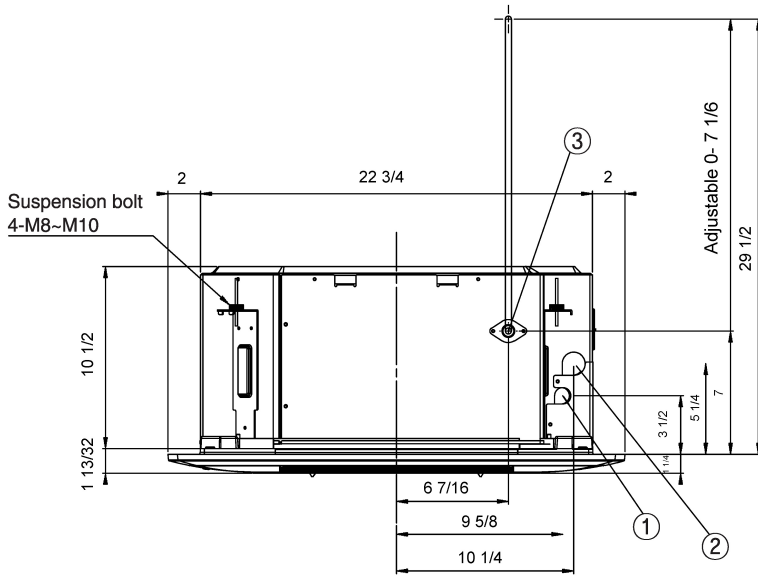
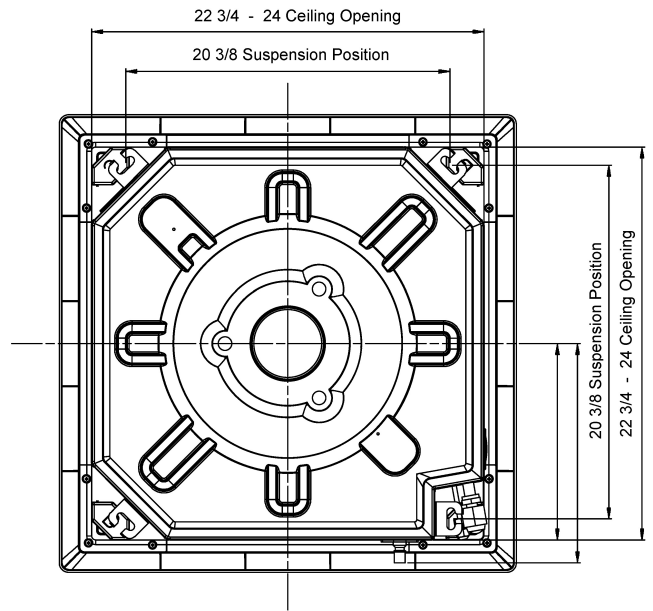
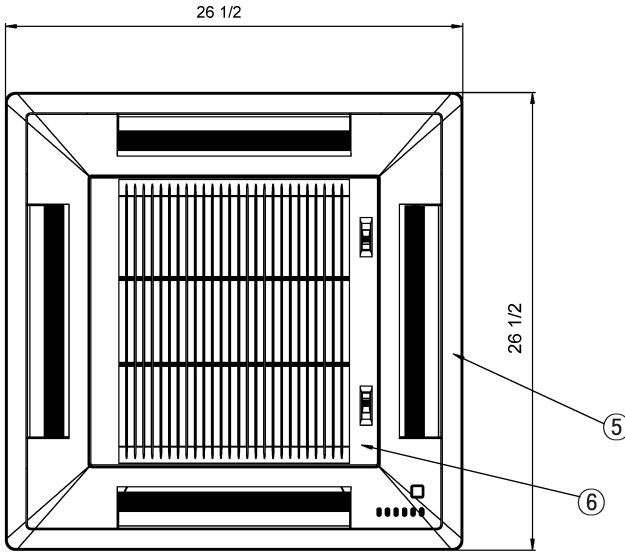
Quietside maintains a policy of ongoing development, specifications are subject to change without notice.





Unit: Inches

PMSMA (front panel)



No.	Name	Description	
		NJ030MHXCA / NJ035MHXCA	NJ052MHXCA
1	Liquid pipe connection	1/4	1/4
2	Gas pipe connection	3/8	1/2
3	Drain pipe connection	VP25 (OD 1 1/4, ID 1") (Quick Lock Drain connection, 11" long fitting)	
4	Power supply connection	-	-
5	Air discharge grille	-	-
6	Air suction grille	-	-

**Quietside West** : 8750 Pioneer Blvd, Santa Fe Springs, CA 90670 • Phone : 888-699-6067 • Fax : 562-699-4351  
**Quietside Central** : 3001 Northern Cross Blvd. Suite 361, Fort Worth, TX 76137 • Phone : 817-838-6066 • Fax : 817-838-8670  
**Quietside East** : 6 Pine Hill Drive, Carlisle, PA 17013 • Phone : 1-877-262-4731 • Fax : 717-243-7917