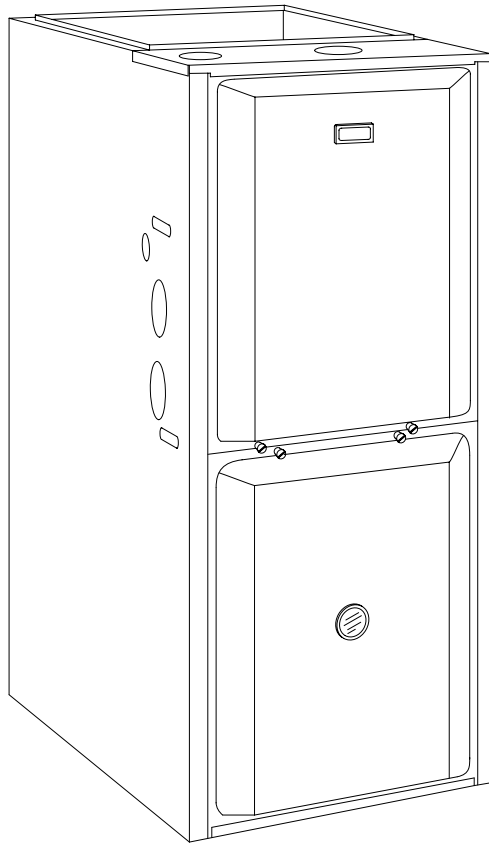


# Technical Support Manual

## Four Position Furnace

### Models



**Single Pipe**  
N9MP1040B08C2  
N9MP1050B12C2  
N9MP1060B12C2  
N9MP1075B12C2  
N9MP1080F16C2  
N9MP1100F14C2  
N9MP1100J20C2  
N9MP1125J20C2

or

**Two Pipe**  
N9MP2050B12C2  
N9MP2075B12C2  
N9MP2080F16C2  
N9MP2100F14C2  
N9MP2100J20C2  
N9MP2125J20C2

**Dual Certified**  
N9MPD040F08A2  
N9MPD050F12A2  
N9MPD060F12A2  
N9MPD075F12A2  
N9MPD080J16A2  
N9MPD100J14A2  
N9MPD100J20A2  
N9MPD125L20A2

or

**Dual Certified**  
\*9MPD050F12C2  
\*9MPD075F12C2  
\*9MPD080J16C2  
\*9MPD100J14C2  
\*9MPD100J20C2  
\*9MPD125L20C2

\* Denotes Brand



**Alpine**

Home Air Products™

America's Heating and Cooling Store

Save This Manual For Future Reference

# Model Specifications

Manufacturers Number (Mfr No -See Rating Plate) ALL Models									
Specifications (N9MP1)									
	N9MP1040B08C		N9MP1050B12C		N9MP1060B12C		N9MP1075B12C		
<b>General</b>									
Gas Type	Nat./Propane		Nat./Propane		Nat./Propane		Nat./Propane		
Input (Btuh)	40,000		50,000		60,000		75,000		
Output (Btuh)	36,000		45,500		54,000		68,000		
Transformer Size (VA)	40		40		40		40		
T'stat Heat Anticipator	.50		.50		.50		.50		
Temp. Rise (°F/°C)	40-70/22-38		35-65/19-36		40-70/22-38		40-70/22-38		
Electrical (Volts/Hz/FLA)	115/60/5.0		115/60/9.8		115/60/7.2		115/60/8.9		
Rating Plate Amps	8.4		12.9		10.9		10.1		
<b>Gas &amp; Ignition</b>									
Gas Type	Nat.	Propane	Nat.	Propane	Nat.	Propane	Nat.	Propane	
Gas Valve (Honeywell)	VR 8205S								
Regulation Type	SNAP								
Ignition Type/Series	Hot Surface								
Manifold Press. (in wc/Pa)	3.5/872	10.0/2490	3.5/872	10.0/2490	3.5/872	10.0/2490	3.5/872	10.0/2490	
Std. Main Orifices (No/Size)	2/44	2/55	2/42	2/54	3/44	3/55	3/42	3/54	
<b>Furnace Controls</b>									
Furnace Control (Type)	Integrated								
Furnace Control (Timed-secs)	On		30		60,100,140,180		Off		
<b>Combustion</b>									
Flue Outlet Size (Inches)	2		2		2		2		
Std. Outlet Temp° (less than) 5' (1.5m) No Elbows (°F/°C)	140/60		140/60		140/60		140/60		
<b>Blower Pressure 5' (1.5m) No Elbows (in wc/Pa)</b>	-2.0/-498		--		-1.45/-361		--		
<b>Blower Pressure 40' (12.2m) +5-90° DWV Elbows (in wc/Pa)</b>	-1.85/-710		--		-1.30/-324		--		
<b>Transition Bx Pressure 5' (1.5m) No Elbows (in wc/Pa)</b>	-2.05/-511		-2.6/-647		-2.10/-523		-2.6/-647		
<b>Transition Bx Pressure 40' +5-90° DWV Elbows (in wc/Pa)</b>	-1.75/-187		-2.3/-573		-1.80/-448		-2.3/-573		
<b>Limits &amp; Controls</b>									
Rollout Switch (°F/°C)	300/149		300/149		300/149		300/149		
Limit Control Setting (°F/°C)	220/104		240/116		210/99		210/99		
<b>Standard Pressure Sw. (Part No)</b>									
Blower Switch Pressure (Close) (in wc/Pa)	1175725		1013802		1175725		1013802		
Blower Switch Pressure (Open) (in wc/Pa)	-0.80/-199		--		-0.80/-199		--		
Transition Switch Pressure (Close) (in wc/Pa)	-0.65/-162		--		-0.65/-162		--		
Transition Switch Pressure (Open) (in wc/Pa)	-0.75/-187		-2.2/-548		-0.75/-187		-2.2/-548		
Transition Switch Pressure (Open) (in wc/Pa)	-0.60/-149		-2.0/-498		-0.60/-149		-2.0/-498		
<b>High Altitude Pressure Sw. (Part No)</b>									
Blower Switch Pressure (Close)(in wc/Pa)	--		1013803		--		1013803		
Blower Switch Pressure (Open)(in wc/Pa)	--		--		--		--		
Transition Switch Pressure (Close)(in wc/Pa)	--		--		--		--		
Transition Switch Pressure (Open) (in wc/Pa)	--		-2.0/-498		--		-2.0/-498		
Transition Switch Pressure (Open) (in wc/Pa)	--		-1.8/-448		--		-1.8/-448		
<b>Long Vent Kit (Part No)</b>									
Pressure Switch (Part No)	--		--		--		--		
Blower Switch Pressure (Close)(in wc/Pa)	--		--		--		--		
Blower Switch Pressure (Open) (in wc/Pa)	--		--		--		--		
Transition Switch Pressure (Close) (in wc/Pa)	--		--		--		--		
Transition Switch Pressure (Open) (in wc/Pa)	--		--		--		--		
<b>High Altitude Long Vent Kit (Part No)</b>									
Pressure Switch (Part No)	--		--		--		--		
Blower Switch Pressure (Close) (in wc/Pa)	--		--		--		--		
Blower Switch Pressure (Open) (in wc/Pa)	--		--		--		--		
Transition Switch Pressure (Close) (in wc/Pa)	--		--		--		--		
Transition Switch Pressure (Open)(in wc/Pa)	--		--		--		--		
<b>Blower Data</b>									
Blower Size D x W in(mm)	11 x 8(279 x 203)		11 x 8(279 x 203)		11 x 8(279 x 203)		11 x 8(279 x 203)		
Motor Amps/RPM	5.0/960		10.0/850		8.0/1050		8.0/1050		
Motor Type/H.P.	PSC <sup>1</sup> / <sub>4</sub>		PSC <sup>1</sup> / <sub>2</sub>		PSC <sup>1</sup> / <sub>2</sub>		PSC <sup>1</sup> / <sub>2</sub>		
Cap. Mfd/Volts	7.5/370		7.5/370		7.5/370		7.5/370		
Filter Type & Size in(mm)(qty.)	16x25x1(406x635x25)		16x25x1(406x635x25)		16x25x1(406x635x25)		16x25x1(406x635x25)		
Permanent - not supplied	1 <sup>1</sup> / <sub>2</sub> ,2		1 <sup>1</sup> / <sub>2</sub> ,2,2 <sup>1</sup> / <sub>2</sub> ,3		1 <sup>1</sup> / <sub>2</sub> ,2,2 <sup>1</sup> / <sub>2</sub> ,3		1 <sup>1</sup> / <sub>2</sub> ,2,2 <sup>1</sup> / <sub>2</sub> ,3		
Cool Cap. (Tons) @ .5 in wc (125 Pa) L, ML, MHi & Hi									
<b>Gas Conversion Kits for 50k &amp; 75k</b>					<b>Gas Conversion Kits for 40k &amp; 60k</b>				
Nat to Propane	NAHA001LP (1172958*)				Nat to Propane	NAHA003LP (1174906*)			
Propane to Nat	NAHA001NG (1172960*)				Propane to Nat	NAHA004NG (1174907*)			
*Order from Service Parts					*Order from Service Parts				

# Model Specifications

Manufacturers Number (Mfr No -See Rating Plate) ALL Models									
Specifications (N9MP1)									
	N9MP1080F16C		N9MP1100F14C		N9MP1100J20C		N9MP1125J20C		
<b>General</b>									
Gas Type	Nat./Propane		Nat./Propane		Nat./Propane		Nat./Propane		
Input (Btuh)	80,000		100,000		100,000		125,000		
Output (Btuh)	72,000		91,000		96,500		113,750		
Transformer Size (VA)	40		40		40		40		
T'stat Heat Anticipator	.50		.50		.50		.50		
Temp. Rise (°F/°C)	35-65/19-36		40-70/22-38		40-70/22-38		40-70/22-38		
Electrical (Volts/Hz/FLA)	115/60/9.0		115/60/9.0		115/60/10.5		115/60/11.2		
Rating Plate Amps	12.9		10.1		14.4		15.0		
<b>Gas &amp; Ignition</b>									
Gas Type	Nat.	Propane	Nat.	Propane	Nat.	Propane	Nat.	Propane	
Gas Valve (Honeywell)	VR 8205S								
Regulation Type	SNAP								
Ignition Type/Series	Hot Surface								
Manifold Press. (in wc/Pa)	3.5/872	10.0/2490	3.5/872	10.0/2490	3.5/872	10.0/2490	3.5/872	10.0/2490	
Std. Main Orifices (No/Size)	4/44	4/55	4/42	4/54	4/42	4/54	5/42	5/54	
<b>Furnace Controls</b>									
Furnace Control (Type)	Integrated								
Furnace Control (On/Off)	30								
(Timed-secs)	60,100,140,180								
<b>Combustion</b>									
Flue Outlet Size (Inches)	2		3		3		3		
Std. Outlet Temp° (less than) 5' (1.5m) No Elbows (°F/°C)	140/60		140/60		140/60		140/60		
<b>Blower Pressure 5' (1.5m) No Elbows (in wc/Pa)</b>									
Blower Pressure 40' (12.2m)+5-90° DWV Elbows (in wc/Pa)	--		-1.8/-448		-1.8/-448		-1.8/-448		
Blower Pressure 5' (1.5m) No Elbows (in wc/Pa)	--		-1.7/-243		-1.7/-243		-1.7/-243		
Transition Bx Pressure 5' (1.5m) No Elbows (in wc/Pa)	-2.6/-647		-2.6/-647		-2.6/-647		-2.6/-647		
Transition Bx Pressure 40' (12.2m) +5-90° DWV Elbows (in wc/Pa)	-2.5/-623		-2.5/-623		-2.5/-623		-2.5/-623		
<b>Limits &amp; Controls</b>									
Rollout Switch (°F/°C)	300/149		300/149		300/149		300/149		
Limit Control Setting (°F/°C)	230/110		230/110		220/104		190/88		
<b>Standard Pressure Sw. (Part No)</b>									
Blower Switch Pressure (Close) (in wc/Pa)	1013811		1013801		1013802		1013166		
Blower Switch Pressure (Open) (in wc/Pa)	--		--		--		-1.3/-234		
Transition Switch Pressure (Close) (in wc/Pa)	--		--		--		-1.1/-274		
Transition Switch Pressure (Open) (in wc/Pa)	-1.8/-448		-2.3/-573		-2.2/-548		-1.8/-448		
Transition Switch Pressure (Open) (in wc/Pa)	-1.6/-398		-2.1/-523		-2.0/-498		-1.6/-398		
<b>High Altitude Pressure Sw. (Part No)</b>									
Blower Switch Pressure (Close)(in wc/Pa)	1013812		1013803		1013803		1013157		
Blower Switch Pressure (Open)(in wc/Pa)	--		--		--		-0.9/-224		
Transition Switch Pressure (Close) (in wc/Pa)	--		--		--		-0.7/-174		
Transition Switch Pressure (Open) (in wc/Pa)	-1.5/-374		-2.0/-498		-2.0/-498		-1.7/-423		
Transition Switch Pressure (Open) (in wc/Pa)	-1.3/-324		-1.8/-448		-1.8/-448		-1.5/-374		
<b>Long Vent Kit (Part No)</b>									
Pressure Switch (Part No)	--		NAHA001LV		NAHA001LV		--		
Blower Switch Pressure (Close)(in wc/Pa)	--		1013518		1013518		--		
Blower Switch Pressure (Open) (in wc/Pa)	--		-1.0/-249		-1.0/-249		--		
Transition Switch Pressure (Close) (in wc/Pa)	--		-0.8/-199		-0.8/-199		--		
Transition Switch Pressure (Open) (in wc/Pa)	--		-2.0/-498		-2.0/-498		--		
Transition Switch Pressure (Open) (in wc/Pa)	--		-1.8/-448		-1.8/-448		--		
<b>High Altitude Long Vent Kit (Part No)</b>									
Pressure Switch (Part No)	--		NAHA003LV		NAHA003LV		--		
Blower Switch Pressure (Close) (in wc/Pa)	--		1013165		1013165		--		
Blower Switch Pressure (Open) (in wc/Pa)	--		-0.7/-423		-0.7/-423		--		
Transition Switch Pressure (Close) (in wc/Pa)	--		-0.6/-149		-0.6/-149		--		
Transition Switch Pressure (Open)(in wc/Pa)	--		-1.4/-349		-1.4/-349		--		
Transition Switch Pressure (Open)(in wc/Pa)	--		-1.2/-299		-1.2/-299		--		
<b>Blower Data</b>									
Blower Size D x W in(mm)	11 x 8(279 x 203)		11 x 8(279 x 203)		11 x 8(279 x 203)		11 x 8(279 x 203)		
Motor Amps/RPM	10/1050		10/1050		13/900		13/900		
Motor Type/H.P.	PSC/1/2		PSC/1/2		PSC <sup>β</sup> /4		PSC <sup>β</sup> /4		
Cap. Mfd/Volts	10/370		10/370		40/370		40/370		
Filter Type & Size in(mm)(qty.) Permanent - not supplied	16x25x1(406x635x25)		16x25x1(406x635x25)		16x25x1(406x635x25)(2)		16x25x1(406x635x25)(2)		
Cool Cap. (Tons) @ .5 in wc (125 Pa) L, ML, MHi & Hi	2 1/2,3,3 1/2,4		1 1/2,2,3,3 1/2,4		3 1/2,4,4 1/2,5		3 1/2,4,4 1/2,5		
<b>Gas Conversion Kits for 100k &amp; 125k</b>					<b>Gas Conversion Kits for 80k</b>				
Nat to Propane	NAHA001LP (1172958*)				Nat to Propane		NAHA003LP (1174906*)		
Propane to Nat	NAHA001NG (1172960*)				Propane to Nat		NAHA004NG (1174907*)		
*Order from Service Parts					*Order from Service Parts				

Manufacturers Number (Mfr No -See Rating Plate) ALL Models													
Specifications (N9MP2)													
	N9MP2050B12C		N9MP2075B12C		N9MP2080F16C		N9MP2100F14C		N9MP2100J20C		N9MP2125J20C		
<b>General</b>													
Gas Type	Nat./Propane		Nat./Propane		Nat./Propane		Nat./Propane		Nat./Propane		Nat./Propane		
Input (Btuh)	50,000		75,000		80,000		100,000		100,000		125,000		
Output (Btuh)	45,500		68,000		72,000		91,000		96,500		113,750		
Transformer Size (VA)	40		40		40		40		40		40		
T'stat Heat Anticipator	.50		.50		.50		.50		.50		.50		
Temp. Rise (°F/°C)	35-65/19-36		40-70/22-38		35-65/19-36		40-70/22-38		40-70/22-38		40-70/22-38		
Electrical (Volts/Hz/FLA)	115/60/9.8		115/60/8.9		115/60/9.0		115/60/9.0		115/60/10.5		115/60/11.2		
Rating Plate Amps	12.9		10.1		12.9		10.1		14.4		15.0		
<b>Gas &amp; Ignition</b>													
Gas Type	Nat.	Propane	Nat.	Propane	Nat.	Propane	Nat.	Propane	Nat.	Propane	Nat.	Propane	
Gas Valve (Honeywell)	VR 8205S												
Regulation Type	SNAP												
Ignition Type/Series	Hot Surface												
Manifold Press. (in wc/Pa)	3.5/872	10.0/2490	3.5/872	10.0/2490	3.5/872	10.0/2490	3.5/872	10.0/2490	3.5/872	10.0/2490	3.5/872	10.0/2490	
Std. Main Orifices (No/Size)	2/42	2/54	3/42	3/54	4/44	4/55	4/42	4/54	4/42	4/54	5/42	5/54	
<b>Furnace Controls</b>													
Furnace Control (Type)	Integrated												
Furnace Control	30												
(Timed-secs) On	60,100,140,180												
Off													
<b>Combustion</b>													
Flue Outlet Size (Inches)	2		2		2		3		3		3		
Std. Outlet Temp° (less than) 5' (1.5m) No Elbows (°F/°C)	140/60		140/60		140/60		140/60		140/60		140/60		
<b>Blower Pressure 5' (1.5m) No Elbows (in wc/Pa)</b>													
Blower Pressure 40' (12.2m) +5-90° DWV Elbows (in wc/Pa)	--		-1.8/-448		--		-1.8/-448		-1.8/-448		-1.8/-448		
Transition Bx Pressure 5' (1.5m) No Elbows (in wc/Pa)	-2.6/-647		-1.3/-324		--		-1.7/-243		-1.7/-243		-1.7/-243		
Transition Bx Pressure 40' (12.2m) +5-90° DWV Elbows (in wc/Pa)	-2.3/-573		-2.6/-647		-2.6/-647		-2.6/-647		-2.6/-647		-2.6/-647		
	-2.3/-573		-2.3/-573		-2.5/-623		-2.5/-623		-2.5/-623		-2.5/-623		
<b>Limits &amp; Controls</b>													
Rollout Switch (°F/°C)	300/149		300/149		300/149		300/149		300/149		300/149		
Limit Control Setting (°F/°C)	240/116		210/99		230/110		230/110		220/104		190/88		
<b>Standard Pressure Sw. (Part No)</b>													
Blower Switch Pressure (Close) (in wc/Pa)	1013802		1013801		1013811		1013801		1013802		1013166		
Blower Switch Pressure (Open) (in wc/Pa)	--		--		--		--		--		-1.3/-234		
Transition Switch Pressure (Close) (in wc/Pa)	--		--		--		--		--		-1.1/-274		
Transition Switch Pressure (Open) (in wc/Pa)	-2.2/-548		-2.3/-573		-1.8/-448		-2.3/-573		-2.2/-548		-1.8/-448		
	-2.0/-498		-2.1/-523		-1.6/-398		-2.1/-523		-2.0/-498		-1.6/-398		
<b>High Altitude Pressure Sw. (Part No)</b>													
Blower Switch Pressure (Close) (in wc/Pa)	1013803		1013803		1013812		1013803		1013803		1013157		
Blower Switch Pressure (Open) (in wc/Pa)	--		--		--		--		--		-0.9/-224		
Transition Switch Pressure (Close) (in wc/Pa)	--		--		--		--		--		-0.7/-174		
Transition Switch Pressure (Open) (in wc/Pa)	-2.0/-498		-2.0/-498		-1.5/-374		-2.0/-498		-2.0/-498		-1.7/-423		
	-1.8/-448		-1.8/-448		-1.3/-324		-1.8/-448		-1.8/-448		-1.5/-374		
<b>Long Vent Kit (Part No)</b>													
Pressure Switch (Part No)	--		NAHA001LV		--		NAHA001LV		NAHA001LV		--		
Blower Switch Pressure (Close) (in wc/Pa)	--		1013518		--		1013518		1013518		--		
Blower Switch Pressure (Open) (in wc/Pa)	--		-1.0/-249		--		-1.0/-249		-1.0/-249		--		
Transition Switch Pressure (Close) (in wc/Pa)	--		-0.8/-199		--		-0.8/-199		-0.8/-199		--		
Transition Switch Pressure (Open) (in wc/Pa)	--		-2.0/-498		--		-2.0/-498		-2.0/-498		--		
	--		-1.8/-448		--		-1.8/-448		-1.8/-448		--		
<b>High Altitude Long Vent Kit (Part No)</b>													
Pressure Switch (Part No)	--		NAHA003LV		--		NAHA003LV		NAHA003LV		--		
Blower Switch Pressure (Close) (in wc/Pa)	--		1013165		--		1013165		1013165		--		
Blower Switch Pressure (Open) (in wc/Pa)	--		-0.7/-423		--		-0.7/-423		-0.7/-423		--		
Transition Switch Pressure (Close) (in wc/Pa)	--		-0.6/-149		--		-0.6/-149		-0.6/-149		--		
Transition Switch Pressure (Open) (in wc/Pa)	--		-1.4/-349		--		-1.4/-349		-1.4/-349		--		
	--		-1.2/-299		--		-1.2/-299		-1.2/-299		--		
<b>Blower Data</b>													
Blower Size D x W in(mm)	11 x 8(279 x 203)		11 x 8(279 x 203)		11x10(279 x 254)		11x10(279 x 254)		11x10(279 x 254)		11x10(279 x 254)		
Motor Amps/Rpm	10/850		8.0/1050		10/1050		10/1050		13/900		13/900		
Motor Type/H.p.	PSC/1/2		PSC/1/2		PSC/1/2		PSC/1/2		PSC/3/4		PSC/3/4		
Cap. Mfd/Volts	7.5/370		7.5/370		10/370		10/370		40/370		40/370		
Filter Type & Size in(mm)(qty.),	16x25x1		16x25x1		16x25x1		16x25x1		16x25x1		16x25x1		
Permanent - not supplied	(406x635x25)		(406x635x25)		(406x635x25)		(406x635x25)		(406x635x25)(2)		(406x635x25)(2)		
Cool Cap. (Tons) @ .5 in wc (125 Pa) L, ML, MHi & Hi	1 1/2,2,2 1/2,3		1 1/2,2,2 1/2,3		2 1/2,3,3 1/2,4		1 1/2,2,3,3 1/2,		3 1/2,4,4 1/2,5		3 1/2,4,4 1/2,5		
<b>Gas Conversion Kits for 50k, 75k, 100k &amp; 125k</b>							<b>Gas Conversion Kits for 80k</b>						
Nat to Propane	NAHA001LP (1172958*)						NAHA003LP (1174906*)						
Propane to Nat	NAHA001NG (1172960*)						NAHA004NG (1174907*)						
*Order from Service Parts							*Order from Service Parts						

Manufacturers Number (Mfr No -See Rating Plate) ALL Models									
Specifications (N9MPD)									
	N9MPD040F08A		N9MPD050F12A		N9MPD060F12A		N9MPD075F12A		
<b>General</b>									
Gas Type	Nat./Propane		Nat./Propane		Nat./Propane		Nat./Propane		
Input (Btuh)	40,000		50,000		60,000		75,000		
Output (Btuh)	37,000		46,000		55,000		69,000		
Transformer Size (VA)	40		40		40		40		
T'stat Heat Anticipator	.50		.50		.50		.50		
Temp. Rise (°F/°C)	35-65/19-36		35-65/19-36		40-70/22-38		40-70/22-38		
Electrical (Volts/Hz)	115/60		115/60		115/60		115/60		
Rating Plate Amps	8.6		12.9		10.6		10.1		
<b>Gas &amp; Ignition</b>									
Gas Type	Nat.	Propane	Nat.	Propane	Nat.	Propane	Nat.	Propane	
Gas Valve (Honeywell)	VR 8205S								
Regulation Type	SNAP								
IgnitionType/Series	Hot Surface								
Manifold Press. (in wc/Pa)	3.5/872	10.0/2490	3.5/872	10.0/2490	3.5/872	10.0/2490	3.5/872	10.0/2490	
Std. Main Orifices (No/Size)	2/44	2/55	2/42	2/54	3/44	3/55	3/42	3/54	
<b>Furnace Controls</b>									
Furnace Control (Type)	Integrated								
Furnace Control On	30								
Furnace Control Off (Timed-secs)	60,100,140,180								
<b>Combustion</b>									
Flue Outlet Size (Inches)	2		2		2		2		
Std. Outlet Temp° (less than) 5' No Elbows (°F/°C)	140/60		140/60		140/60		140/60		
<b>Blower Pressure 5' (1.5m) No Elbows (in wc/Pa)</b>									
Blower Pressure 40' (12.2m)+5-90° DWV Elbows (in wc/Pa)	-2.00/-249		--		-1.90/-473		--		
Blower Pressure 40' (12.2m)+5-90° DWV Elbows (in wc/Pa)	-1.90/-473		--		-1.52/-379		--		
<b>Transition Bx Pressure 5' (1.5m) No Elbows (in wc/Pa)</b>									
Transition Bx Pressure 40' (12.2m)+5-90° DWV Elbows (in wc/Pa)	-0.90/-224		-2.6/-647		-1.10/-274		-2.6/-647		
Transition Bx Pressure 40' (12.2m)+5-90° DWV Elbows (in wc/Pa)	-0.90/-224		-2.3/-573		-1.05/-398		-2.3/-573		
<b>Limits &amp; Controls</b>									
Rollout Switch (°F/°C)	300/149		300/149		300/149		300/149		
Limit Control Setting (°F/°C)	250/121		260/127		230/110		240/116		
<b>Standard Pressure Sw. (Part No)</b>									
Blower Switch Pressure (Close) (in wc/Pa)	1175818		1013802		1175726		1013802		
Blower Switch Pressure (Open) (in wc/Pa)	-1.24/-309		--		-1.01/-252		--		
Blower Switch Pressure (Open) (in wc/Pa)	-1.05/-261		--		-0.86/-214		--		
Transition Switch Pressure (Close) (in wc/Pa)	-0.70/-174		-2.2/-548		-0.65/-162		-2.2/-548		
Transition Switch Pressure (Open) (in wc/Pa)	-0.55/-137		-2.0/-498		-0.50/-125		-2.0/-498		
<b>High Altitude Pressure Sw. (Part No)</b>									
Blower Switch Pressure (Close) (in wc/Pa)	1175819		1013803		1175819		1013803		
Blower Switch Pressure (Open) (in wc/Pa)	-0.95/-237		--		-0.95/-237		--		
Blower Switch Pressure (Open) (in wc/Pa)	-0.80/-199		--		-0.80/-199		--		
Transition Switch Pressure (Close) (in wc/Pa)	-0.60/-149		-2.0/-498		-0.60/-149		-2.0/-498		
Transition Switch Pressure (Open) (in wc/Pa)	-0.45/-112		-1.8/-448		-0.45/-112		-1.8/-448		
<b>Long Vent Kit (Part No)</b>									
Pressure Switch (Part No)	--		--		--		--		
Blower Switch Pressure (Close) (in wc/Pa)	--		--		--		--		
Blower Switch Pressure (Open) (in wc/Pa)	--		--		--		--		
Transition Switch Pressure (Close) (in wc/Pa)	--		--		--		--		
Transition Switch Pressure (Open) (in wc/Pa)	--		--		--		--		
<b>High Altitude Long Vent Kit (Part No)</b>									
Pressure Switch (Part No)	--		--		--		--		
Blower Switch Pressure (Close) (in wc/Pa)	--		--		--		--		
Blower Switch Pressure (Open) (in wc/Pa)	--		--		--		--		
Transition Switch Pressure (Close) (in wc/Pa)	--		--		--		--		
Transition Switch Pressure (Open) (in wc/Pa)	--		--		--		--		
<b>Blower Data</b>									
Blower Size D x W in(mm)	11 x 8(279 x 203)		11 x 8(279 x 203)		11 x 10(279 x 254)		11 x 10(279 x 254)		
Motor Amps/RPM	5.0/960		10.0/850		8.0/1050		8.0/1050		
Motor Type/H.P.	PSC/1/4		PSC/1/2		PSC/1/2		PSC/1/2		
Cap. Mfd/Volts	10.0/370		7.5/370		7.5/370		7.5/370		
Filter Type & Size in(mm)(qty.) Permanent - not supplied	16x25x1(406x635x25)		16x25x1(406x635x25)		16x25x1(406x635x25)		16x25x1(406x635x25)		
Cool Cap. (Tons) @ .5 in wc (125 Pa) L, ML, MHi & Hi	1 1/2,2		1 1/2,2,1 1/2,3		1 1/2,2,2 1/2,3		1 1/2,2,2 1/2,3		
<b>Gas Conversion Kits 50k &amp; 75k</b>					<b>Gas Conversion Kits for 40k &amp; 60k</b>				
Nat to Propane	NAHA001LP (1172958*)				Nat to Propane	NAHA003LP (1174906*)			
Propane to Nat	NAHA001NG (1172960*)				Propane to Nat	NAHA004NG (1174907*)			
*Order from Service Parts					*Order from Service Parts				

Manufacturers Number (Mfr No -See Rating Plate) ALL Models									
Specifications (N9MPD)									
	N9MPD080J16A		N9MPD100J14A		N9MPD100J20A		N9MPD125L20A		
<b>General</b>									
Gas Type	Nat./Propane		Nat./Propane		Nat./Propane		Nat./Propane		
Input (Btuh)	80,000		100,000		100,000		125,000		
Output (Btuh)	73,600		92,000		92,000		115,000		
Transformer Size (VA)	40		40		40		40		
T'stat Heat Anticipator	.50		.50		.50		.50		
Temp. Rise (°F/°C)	35-65/19-36		40-70/22-38		40-70/22-38		40-70/22-38		
Electrical (Volts/Hz)	115/60		115/60		115/60		115/60		
Rating Plate Amps	12.9		10.1		14.4		15.0		
<b>Gas &amp; Ignition</b>									
Gas Type	Nat.	Propane	Nat.	Propane	Nat.	Propane	Nat.	Propane	
Gas Valve (Honeywell)	VR 8205S								
Regulation Type	SNAP								
Ignition Type/Series	Hot Surface								
Manifold Press. (in wc/Pa)	3.5/872	10.0/2490	3.5/872	10.0/2490	3.5/872	10.0/2490	3.5/872	10.0/2490	
Std. Main Orifices (No/Size)	4/44	4/55	4/42	4/54	4/42	4/54	5/42	5/54	
<b>Furnace Controls</b>									
Furnace Control (Type)	Integrated								
Furnace Control (Timed-secs)	On	30							
Off	60,100,140,180								
<b>Combustion</b>									
Flue Outlet Size (Inches)	2		3		3		3		
Std. Outlet Temp° (less than) 5' (1.5m) No Elbows (°F/°C)	140/60		140/60		140/60		140/60		
<b>Blower Pressure 5' (1.5m) No Elbows (in wc/Pa)</b>									
Blower Pressure 40' (12.2m) +5-90° DWV Elbows (in wc/Pa)	--		-1.8/-448		-1.8/-448		-1.8/-448		
Transition Bx Pressure 5' (1.5m) No Elbows (in wc/Pa)	--		-1.7/-243		-1.7/-243		-1.7/-243		
Transition Bx Pressure 40' (12.2m) +5-90° DWV Elbows (in wc/Pa)	-2.6/-647		-2.6/-647		-2.6/-647		-2.6/-647		
Transition Bx Pressure 40' (12.2m) +5-90° DWV Elbows (in wc/Pa)	-2.5/-623		-2.5/-623		-2.5/-623		-2.5/-623		
<b>Limits &amp; Controls</b>									
Rollout Switch (°F/°C)	300/149		300/149		300/149		300/149		
Limit Control Setting (°F/°C)	220/104		220/104		220/104		190/88		
<b>Standard Pressure Sw. (Part No)</b>									
Blower Switch Pressure (Close) (in wc/Pa)	1013812		1013802		1013802		1013166		
Blower Switch Pressure (Open) (in wc/Pa)	--		--		--		-1.3/-234		
Transition Switch Pressure (Close) (in wc/Pa)	--		--		--		-1.1/-274		
Transition Switch Pressure (Open) (in wc/Pa)	-1.5/-374		-2.2/-548		-2.2/-548		-1.8/-448		
Transition Switch Pressure (Open) (in wc/Pa)	-1.3/-324		-2.0/-498		-2.0/-498		-1.6/-398		
<b>High Altitude Pressure Sw. (Part No)</b>									
Blower Switch Pressure (Close) (in wc/Pa)	1013813		1013803		1013803		1013157		
Blower Switch Pressure (Open) (in wc/Pa)	--		--		--		-0.9/-224		
Transition Switch Pressure (Close) (in wc/Pa)	--		--		--		-0.7/-174		
Transition Switch Pressure (Open) (in wc/Pa)	-1.2/-299		-2.0/-498		-2.0/-498		-1.7/-423		
Transition Switch Pressure (Open) (in wc/Pa)	-1.0/-249		-1.8/-448		-1.8/-448		-1.5/-374		
<b>Long Vent Kit (Part No)</b>									
Pressure Switch (Part No)	--		NAHA002LV		--		--		
Blower Switch Pressure (Close) (in wc/Pa)	--		1013515		--		--		
Blower Switch Pressure (Open) (in wc/Pa)	--		--		-1.0/-249		--		
Transition Switch Pressure (Close) (in wc/Pa)	--		--		-0.8/-199		--		
Transition Switch Pressure (Open) (in wc/Pa)	--		--		-1.7/-423		--		
Transition Switch Pressure (Open) (in wc/Pa)	--		--		-1.5/-374		--		
<b>High Altitude Long Vent Kit (Part No)</b>									
Pressure Switch (Part No)	--		NAHA003LV		--		--		
Blower Switch Pressure (Close) (in wc/Pa)	--		1013165		--		--		
Blower Switch Pressure (Open) (in wc/Pa)	--		--		-0.7/-423		--		
Transition Switch Pressure (Close) (in wc/Pa)	--		--		-0.6/-149		--		
Transition Switch Pressure (Open) (in wc/Pa)	--		--		-1.4/-349		--		
Transition Switch Pressure (Open) (in wc/Pa)	--		--		-1.2/-299		--		
<b>Blower Data</b>									
Blower Size D x W in(mm)	11 x 10(279 x 254)		11 x 10(279 x 254)		11 x 10(279 x 254)		11 x 10(279 x 254)		
Motor Amps/Rpm	10/1050		10/1050		13/900		13/900		
Motor Type/H.p.	PSC <sup>1</sup> / <sub>2</sub>		PSC <sup>1</sup> / <sub>2</sub>		PSC <sup>3</sup> / <sub>4</sub>		PSC <sup>3</sup> / <sub>4</sub>		
Cap. Mfd/Volts	10/370		10/370		40/370		40/370		
Filter Type & Size in(mm)(qty.) Permanent - not supplied	16x25x1(406x635x25)		16x25x1(406x635x25)		16x25x1(406x635x25)(2)		16x25x1(406x635x25)(2)		
Cool Cap. (Tons) @ .5 in wc (125 Pa) L, ML, MHi & Hi	2 <sup>1</sup> / <sub>2</sub> ,3,3 <sup>1</sup> / <sub>2</sub> ,4		1 <sup>1</sup> / <sub>2</sub> ,2,3,3 <sup>1</sup> / <sub>2</sub>		3 <sup>1</sup> / <sub>2</sub> ,4,4 <sup>1</sup> / <sub>2</sub> ,5		3 <sup>1</sup> / <sub>2</sub> ,4,4 <sup>1</sup> / <sub>2</sub> ,5		
<b>Gas Conversion Kits for 100k &amp; 125k</b>					<b>Gas Conversion Kits for 80k</b>				
Nat to Propane	NAHA001LP (1172958*)				Nat to Propane		NAHA003LP (1174906*)		
Propane to Nat	NAHA001NG (1172960*)				Propane to Nat		NAHA004NG (1174907*)		
*Order from Service Parts					*Order from Service Parts				

Manufacturers Number (Mfr No -See Rating Plate) ALL Models												
Specifications (*9MPD)												
	*9MPD050F12C		*9MPD075F12C		*9MPD080J16C		*9MPD100J14C		*9MPD100J20C		*9MPD125L20C	
<b>General</b>												
Gas Type	Nat./Propane		Nat./Propane		Nat./Propane		Nat./Propane		Nat./Propane		Nat./Propane	
Input (Btuh)	50,000		75,000		80,000		100,000		100,000		125,000	
Output (Btuh)	46,000		69,000		73,600		92,000		92,000		115,000	
Transformer Size (VA)	40		40		40		40		40		40	
T'stat Heat Anticipator	.50		.50		.50		.50		.50		.50	
Temp. Rise (°F/°C)	35-65/19-36		40-70/22-38		35-65/19-36		40-70/22-38		40-70/22-38		40-70/22-38	
Electrical (Volts/Hz)	115/60		115/60		115/60		115/60		115/60		115/60	
Rating Plate Amps	12.9		10.1		12.9		10.1		14.4		15.0	
<b>Gas &amp; Ignition</b>												
Gas Type	Nat.	Propane	Nat.	Propane	Nat.	Propane	Nat.	Propane	Nat.	Propane	Nat.	Propane
Gas Valve (Honeywell)	VR 8205S											
Regulation Type	SNAP											
IgnitionType/Series	Hot Surface											
Manifold Press. (in wc/Pa)	3.5/872	10.0/2490	3.5/872	10.0/2490	3.5/872	10.0/2490	3.5/872	10.0/2490	3.5/872	10.0/2490	3.5/872	10.0/2490
Std. Main Orifices (No/Size)	2/42	2/54	3/42	3/54	4/44	4/55	4/42	4/54	4/42	4/54	5/42	5/54
<b>Furnace Controls</b>												
Furnace Control (Type)	Integrated											
Furnace Control	30											
(Timed-secs)	60,100,140,180											
<b>Combustion</b>												
Flue Outlet Size (Inches)	2		2		2		3		3		3	
Std. Outlet Temp° (less than) 5' (1.5m) No Elbows (°F/°C)	140/60		140/60		140/60		140/60		140/60		140/60	
<b>Blower Pressure 5' (1.5m) No Elbows (in wc/Pa)</b>												
Blower Pressure 40' (12.2m) +5-90° DWV Elbows (in wc/Pa)	--		--		--		-1.8/-448		-1.8/-448		-1.8/-448	
Blower Pressure 40' (12.2m) +5-90° DWV Elbows (in wc/Pa)	-2.6/-647		-2.6/-647		-2.6/-647		-1.7/-243		-1.7/-243		-1.7/-243	
Blower Pressure 40' (12.2m) +5-90° DWV Elbows (in wc/Pa)	-2.3/-573		-2.3/-573		-2.3/-573		-2.6/-647		-2.6/-647		-2.6/-647	
Blower Pressure 40' (12.2m) +5-90° DWV Elbows (in wc/Pa)	-2.3/-573		-2.3/-573		-2.3/-573		-2.5/-623		-2.5/-623		-2.5/-623	
<b>Limits &amp; Controls</b>												
Rollout Switch (°F/°C)	300/149		300/149		300/149		300/149		300/149		300/149	
Limit Control Setting (°F/°C)	260/127		240/116		220/104		220/104		220/104		190/88	
<b>Standard Pressure Sw. (Part No)</b>												
Blower Switch Pressure (Close) (in wc/Pa)	1013802		1013802		1013812		1013802		1013802		1013166	
Blower Switch Pressure (Open) (in wc/Pa)	--		--		--		--		--		-1.3/-234	
Blower Switch Pressure (Open) (in wc/Pa)	--		--		--		--		--		-1.1/-274	
Transition Switch Pressure (Close) (in wc/Pa)	-2.2/-548		-2.2/-548		-1.5/-374		-2.2/-548		-2.2/-548		-1.8/-448	
Transition Switch Pressure (Open) (in wc/Pa)	-2.0/-498		-2.0/-498		-1.3/-324		-2.0/-498		-2.0/-498		-1.6/-398	
<b>High Altitude Pressure Sw. (Part No)</b>												
Blower Switch Pressure (Close) (in wc/Pa)	1013803		1013803		1013813		1013803		1013803		1013157	
Blower Switch Pressure (Open) (in wc/Pa)	--		--		--		--		--		-0.9/-224	
Blower Switch Pressure (Open) (in wc/Pa)	--		--		--		--		--		-0.7/-174	
Transition Switch Pressure (Close) (in wc/Pa)	-2.0/-498		-2.0/-498		-1.2/-299		-2.0/-498		-2.0/-498		-1.7/-423	
Transition Switch Pressure (Open) (in wc/Pa)	-1.8/-448		-1.8/-448		-1.0/-249		-1.8/-448		-1.8/-448		-1.5/-374	
<b>Long Vent Kit (Part No)</b>												
Pressure Switch (Part No)	--		--		--		NAHA002LV		NAHA002LV		--	
Blower Switch Pressure (Close) (in wc/Pa)	--		--		--		1013515		1013515		--	
Blower Switch Pressure (Open) (in wc/Pa)	--		--		--		-1.0/-249		-1.0/-249		--	
Blower Switch Pressure (Open) (in wc/Pa)	--		--		--		-0.8/-199		-0.8/-199		--	
Transition Switch Pressure (Close) (in wc/Pa)	--		--		--		-1.7/-423		-1.7/-423		--	
Transition Switch Pressure (Open) (in wc/Pa)	--		--		--		-1.5/-374		-1.5/-374		--	
<b>High Altitude Long Vent Kit (Part No)</b>												
Pressure Switch (Part No)	--		--		--		NAHA003LV		NAHA003LV		--	
Blower Switch Pressure (Close) (in wc/Pa)	--		--		--		1013165		1013165		--	
Blower Switch Pressure (Open) (in wc/Pa)	--		--		--		-0.7/-423		-0.7/-423		--	
Blower Switch Pressure (Open) (in wc/Pa)	--		--		--		-0.6/-149		-0.6/-149		--	
Transition Switch Pressure (Close) (in wc/Pa)	--		--		--		-1.4/-349		-1.4/-349		--	
Transition Switch Pressure (Open) (in wc/Pa)	--		--		--		-1.2/-299		-1.2/-299		--	
<b>Blower Data</b>												
Blower Size D x W in(mm)	11x8 (279 x 203)		11x10 (279 x 254)		11x10 (279 x 254)		11x10 (279 x 254)		11x10 (279 x 254)		11x10 (279 x 254)	
Motor Amps/RPM	10/850		8.0/1050		10/1050		10/1050		13/900		13/900	
Motor Type/H.P.	PSC/1/2		PSC/1/2		PSC/1/2		PSC/1/2		PSC/3/4		PSC/3/4	
Cap. Mfd/Volts	7.5/370		7.5/370		10/370		10/370		40/370		40/370	
Filter Type & Size in(mm)(qty.)	16x25x1		16x25x1		16x25x1		16x25x1		16x25x1		16x25x1	
Permanent - not supplied	(406x635x25)		(406x635x25)		(406x635x25)		(406x635x25)		(406x635x25)(2)		(406x635x25)(2)	
Cool Cap. (Tons) @ .5 in wc (125 Pa) L, ML, MHi & Hi	1 1/2,2,2 1/2,3		1 1/2,2,2 1/2,3		2 1/2,3,3 1/2,4		1 1/2,2,3,3 1/2		3 1/2,4,4 1/2,5		3 1/2,4,4 1/2,5	
<b>Gas Conversion Kits for 50k, 75k, 100k &amp; 125k</b>						<b>Gas Conversion Kits for 80k</b>						
Nat to Propane NAHA001LP (1172958*)						Nat to Propane NAHA003LP (1174906*)						
Propane to Nat NAHA001NG (1172960*)						Propane to Nat NAHA004NG (1174907*)						
*Order from Service Parts						*Order from Service Parts						

# CIRCULATION AIR BLOWER DATA (CFM#)

**N9MP1040B08 (1)(5)**

External Static Pressure (in wc/Pa)	Speed Tap		Low		Med L		Med H		Hi	
	in wc	Pa	CFM	L/s	CFM	L/s	CFM	L/s	CFM	L/s
	0.10	25	655	309	---	---	825	389	1009	476
0.20	50	612	289	---	---	786	371	981	463	
0.30	75	560	264	---	---	744	351	944	445	
0.40	100	508	240	---	---	700	330	897	423	
0.50	125	457	216	---	---	647	305	841	397	
0.60	149	405	191	---	---	585	276	785	370	
0.70	174	343	162	---	---	519	245	719	339	
0.80	199	286	135	---	---	458	216	637	301	
0.90	224	204	96	---	---	382	180	561	265	
1.00	249	---	---	---	---	292	138	478	226	

**N9MPD040F08 (1)(5)**

External Static Pressure (in wc/Pa)	Speed Tap		Low		Med L		Med H		Hi	
	in wc	Pa	CFM	L/s	CFM	L/s	CFM	L/s	CFM	L/s
	0.10	25	728	344	---	---	876	413	1079	509
0.20	50	667	315	---	---	832	393	1032	487	
0.30	75	605	286	---	---	781	369	985	465	
0.40	100	541	255	---	---	725	342	933	440	
0.50	125	480	227	---	---	658	311	878	414	
0.60	149	421	199	---	---	593	280	802	378	
0.70	174	361	170	---	---	527	249	719	339	
0.80	199	294	139	---	---	461	218	634	299	
0.90	224	218	103	---	---	394	186	545	257	
1.00	249	---	---	---	---	317	150	462	218	

**N9MP1050B12, N9MP2050B12 (1)(5)**

External Static Pressure (in wc/Pa)	Speed Tap		Low		Med L		Med H		Hi	
	in wc	Pa	CFM	L/s	CFM	L/s	CFM	L/s	CFM	L/s
	0.10	25	826	390	1083	511	1301	614	1408	664
0.20	50	804	379	1050	496	1242	586	1347	636	
0.30	75	770	363	1028	485	1195	564	1295	611	
0.40	100	735	347	985	465	1153	544	1237	584	
0.50	125	698	329	952	449	1093	516	1183	558	
0.60	149	657	310	909	429	1040	491	1118	528	
0.70	174	---	---	863	407	935	441	1053	497	
0.80	199	---	---	812	383	865	408	976	461	
0.90	224	---	---	---	---	802	378	887	419	
1.00	249	---	---	---	---	720	340	787	371	

**N9MPD050F12, \*9MPD050F12 (1)(5) \* Denotes Brand**

External Static Pressure (in wc/Pa)	Speed Tap		Low		Med L		Med H		Hi	
	in wc	Pa	CFM	L/s	CFM	L/s	CFM	L/s	CFM	L/s
	0.10	25	826	390	1083	511	1301	614	1408	664
0.20	50	804	379	1050	496	1242	586	1347	636	
0.30	75	770	363	1028	485	1195	564	1295	611	
0.40	100	735	347	985	465	1153	544	1237	584	
0.50	125	698	329	952	449	1093	516	1183	558	
0.60	149	657	310	909	429	1040	491	1118	528	
0.70	174	---	---	863	407	935	441	1053	497	
0.80	199	---	---	812	383	865	408	976	461	
0.90	224	---	---	---	---	802	378	887	419	
1.00	249	---	---	---	---	720	340	787	371	

**N9MP1060F12 (1)(5)**

External Static Pressure (in wc/Pa)	Speed Tap		Low		Med L		Med H		Hi	
	in wc	Pa	CFM	L/s	CFM	L/s	CFM	L/s	CFM	L/s
	0.10	25	706	333	895	422	1158	546	1439	679
0.20	50	675	319	876	413	1137	537	1395	658	
0.30	75	640	302	850	401	1102	520	1345	635	
0.40	100	599	283	820	387	1066	503	1288	608	
0.50	125	569	269	786	371	1022	482	1228	580	
0.60	149	535	252	743	351	967	456	1159	547	
0.70	174	494	233	694	328	895	422	1080	510	
0.80	199	451	213	640	302	813	384	993	469	
0.90	224	399	188	585	276	730	345	894	422	
1.00	249	343	162	522	246	646	305	785	370	

**N9MPD060F12 (1)(5)**

External Static Pressure (in wc/Pa)	Speed Tap		Low		Med L		Med H		Hi	
	in wc	Pa	CFM	L/s	CFM	L/s	CFM	L/s	CFM	L/s
	0.10	25	765	361	966	456	1247	588	1509	712
0.20	50	708	334	919	434	1205	569	1453	686	
0.30	75	659	311	877	414	1155	545	1386	654	
0.40	100	612	289	828	391	1102	520	1313	620	
0.50	125	566	310	780	368	1037	489	1230	580	
0.60	149	522	246	728	344	986	465	1148	542	
0.70	174	452	213	674	318	909	429	1050	496	
0.80	199	403	190	609	287	835	394	953	450	
0.90	224	338	160	535	252	749	353	860	406	
1.00	249	255	120	455	215	653	308	748	353	

- NOTE:
- (1) Data Based on Bottom Only or One Side return.
  - (2) Data Based on Both Sides or Bottom plus One Side.
  - (3) 100J20 Reduce airflow by 5% if Bottom Only return.
  - (4) 125J20 Reduce airflow by 5% if Bottom Only return.
  - (5) Gray area is above maximum temperature rise range.

# CFM – Cubic Feet Per Minute airflow. Filter required for each return-air inlet.

Airflow performance includes 1" (25.4mm) washable [600 FPM (3.0 m/s) max] filter media.

MAX CFM's for Factory Washable Filters		
Filter Size (in/mm)	CFM	L/s
14" X 25" / 356 x 635	1400	661
16" X 25" / 406 x 635	1600	755
20" X 25" / 508 x 635	2000	944
24" X 25" / 610 x 635	2500	1180
Max CFM based on 600 FPM (3.0 m/s)		

NOTE: Disposable filters are typically rated at 300 FPM (1.5 m/s). These filters only allow half the airflow when compared to 600 FPM (3.0 m/s) filters.



**N9MP1075B12, N9MP2075B12 (1)(5)**

External Static Pressure (in wc/Pa)	Speed Tap		Low		Med L		Med H		Hi	
	in wc	Pa	CFM	L/s	CFM	L/s	CFM	L/s	CFM	L/s
	0.10	25	706	333	917	433	1163	549	1368	646
0.20	50	677	319	875	413	1120	529	1319	622	
0.30	75	636	300	840	396	1076	508	1263	596	
0.40	100	595	281	812	383	1031	487	1202	567	
0.50	125	546	258	766	361	987	466	1148	542	
0.60	149	490	231	702	331	889	420	1077	508	
0.70	174	---	---	630	297	821	387	989	467	
0.80	199	---	---	550	260	750	354	914	431	
0.90	224	---	---	462	218	676	319	833	393	
1.00	249	---	---	---	---	601	284	747	353	

**N9MPD075F12, \*9MPD075F12 (1)(5) \* Denotes Brand**

External Static Pressure (in wc/Pa)	Speed Tap		Low		Med L		Med H		Hi	
	in wc	Pa	CFM	L/s	CFM	L/s	CFM	L/s	CFM	L/s
	0.10	25	706	333	917	433	1163	549	1368	646
0.20	50	677	319	875	413	1120	529	1319	622	
0.30	75	636	300	840	396	1076	508	1263	596	
0.40	100	595	281	812	383	1031	487	1202	567	
0.50	125	546	258	766	361	987	466	1148	542	
0.60	149	490	231	702	331	889	420	1077	508	
0.70	174	---	---	630	297	821	387	989	467	
0.80	199	---	---	550	260	750	354	914	431	
0.90	224	---	---	462	218	676	319	833	393	
1.00	249	---	---	---	---	601	284	747	353	

**N9MP1080F16, N9MP2080F16 (1)(5)**

External Static Pressure (in wc/Pa)	Speed Tap		Low		Med L		Med H		Hi	
	in wc	Pa	CFM	L/s	CFM	L/s	CFM	L/s	CFM	L/s
	0.10	25	823	388	1109	523	1527	721	1850	873
0.20	50	795	375	1087	513	1482	699	1791	845	
0.30	75	747	353	1056	498	1426	673	1720	812	
0.40	100	677	319	1016	479	1382	652	1648	778	
0.50	125	617	291	970	458	1317	622	1575	743	
0.60	149	544	257	854	403	1245	588	1485	701	
0.70	174	---	---	763	360	1154	545	1401	661	
0.80	199	---	---	652	308	1043	492	1284	606	
0.90	224	---	---	---	---	905	427	1161	548	
1.00	249	---	---	---	---	737	348	1028	485	

**N9MPD080J16, \*9MPD080J16 (1)(5) \* Denote Brand**

External Static Pressure (in wc/Pa)	Speed Tap		Low		Med L		Med H		Hi	
	in wc	Pa	CFM	L/s	CFM	L/s	CFM	L/s	CFM	L/s
	0.10	25	823	388	1109	523	1527	721	1850	873
0.20	50	795	375	1087	513	1482	699	1791	845	
0.30	75	747	353	1056	498	1426	673	1720	812	
0.40	100	677	319	1016	479	1382	652	1648	778	
0.50	125	617	291	970	458	1317	622	1575	743	
0.60	149	544	257	854	403	1245	588	1485	701	
0.70	174	---	---	763	360	1154	545	1401	661	
0.80	199	---	---	652	308	1043	492	1284	606	
0.90	224	---	---	---	---	905	427	1161	548	
1.00	249	---	---	---	---	737	348	1028	485	

**N9MP1100F14, N9MP2100F14 (1)(5)**

External Static Pressure (in wc/Pa)	Speed Tap		Low		Med L		Med H		Hi	
	in wc	Pa	CFM	L/s	CFM	L/s	CFM	L/s	CFM	L/s
	0.10	25	700	330	912	430	1209	571	1550	731
0.20	50	660	311	884	417	1171	553	1492	704	
0.30	75	616	291	843	398	1139	538	1434	677	
0.40	100	575	271	790	373	1088	513	1378	650	
0.50	125	528	249	735	347	1040	491	1317	622	
0.60	149	472	223	677	319	979	462	1247	588	
0.70	174	---	---	608	287	909	429	1161	548	
0.80	199	---	---	528	249	827	390	1058	499	
0.90	224	---	---	---	---	733	346	932	440	
1.00	249	---	---	---	---	624	294	778	367	

**N9MPD100J14, \*9MPD100J14 (1)(5) \* Denotes Brand**

External Static Pressure (in wc/Pa)	Speed Tap		Low		Med L		Med H		Hi	
	in wc	Pa	CFM	L/s	CFM	L/s	CFM	L/s	CFM	L/s
	0.10	25	700	330	912	430	1209	571	1550	731
0.20	50	660	311	884	417	1171	553	1492	704	
0.30	75	616	291	843	398	1139	538	1434	677	
0.40	100	575	271	790	373	1088	513	1378	650	
0.50	125	528	249	735	347	1040	491	1317	622	
0.60	149	472	223	677	319	979	462	1247	588	
0.70	174	---	---	608	287	909	429	1161	548	
0.80	199	---	---	528	249	827	390	1058	499	
0.90	224	---	---	---	---	733	346	932	440	
1.00	249	---	---	---	---	624	294	778	367	

- NOTE: (1) Data Based on Bottom Only or One Side return.  
 (2) Data Based on Both Sides or Bottom plus One Side.  
 (3) 100J20 Reduce airflow by 5% if Bottom Only return.  
 (4) 125J20 Reduce airflow by 5% if Bottom Only return.  
 (5) Gray area is above maximum temperature rise range.

# CFM – Cubic Feet Per Minute airflow. Filter required for each return–air inlet.  
 Airflow performance includes 1” (25.4mm) washable [600 FPM (3.0 m/s) max] filter media.

MAX CFM's for Factory Washable Filters		
Filter Size (in/mm)	CFM	L/s
14" X 25" / 356 x 635	1400	661
16" X 25" / 406 x 635	1600	755
20" X 25" / 508 x 635	2000	944
24" X 25" / 610 x 635	2500	1180
Max CFM based on 600 FPM (3.0 m/s)		

NOTE: Disposable filters are typically rated at 300 FPM (1.5 m/s). These filters only allow half the airflow when compared to 600 FPM (3.0 m/s) filters.

**N9MP1100J20, N9MP2100J20, N9MPD100J20,  
\*9MPD100J20** \* Denotes Brand (1)(5)

**N9MP1125J20, N9MP2125J20 (2)(4)(5)N9MPD125L20,  
\*9MPD125L20 (2)(5)** \* Denotes Brand

External Static Pressure (in wc/Pa)	Speed Tap		Low		Med L		Med H		Hi	
	in wc	Pa	CFM	L/s	CFM	L/s	CFM	L/s	CFM	L/s
	0.10	25	1682	794	1870	882	2081	982	2263	1068
	0.20	50	1654	781	1826	862	2031	958	2193	1035
	0.30	75	1597	754	1775	838	1963	926	2165	1022
	0.40	100	1547	730	1719	811	1899	896	2056	970
	0.50	125	1498	707	1653	780	1825	861	1978	933
	0.60	149	1428	674	1583	747	1737	820	1854	875
	0.70	174	1355	639	1503	709	1650	779	1757	829
	0.80	199	1267	598	1392	657	1548	731	1644	776
0.90	224	---	---	1266	597	1428	674	1515	715	
1.00	249	---	---	---	---	---	---	1351	638	

External Static Pressure (in wc/Pa)	Speed Tap		Low		Med L		Med H		Hi	
	in wc	Pa	CFM	L/s	CFM	L/s	CFM	L/s	CFM	L/s
	0.10	25	1720	812	1910	901	2127	1004	2315	1092
	0.20	50	1686	796	1881	888	2087	985	2268	1070
	0.30	75	1644	776	1833	865	2024	955	2201	1039
	0.40	100	1600	755	1777	839	1961	925	2131	1006
	0.50	125	1533	723	1720	812	1891	892	2029	958
	0.60	149	1494	705	1647	777	1804	851	1948	919
	0.70	174	1413	667	1571	741	1708	806	1820	859
	0.80	199	1306	616	1470	694	1604	757	1730	816
0.90	224	---	---	1349	637	1484	700	1614	762	
1.00	249	---	---	---	---	1328	627	1430	675	

- NOTE: (1) Data Based on Bottom Only or One Side return.  
 (2) Data Based on Both Sides or Bottom plus One Side.  
 (3) 100J20 Reduce airflow by 5% if Bottom Only return.  
 (4) 125J20 Reduce airflow by 5% if Bottom Only return.  
 (5) Gray area is above maximum temperature rise range.

# CFM – Cubic Feet Per Minute airflow. Filter required for each return–air inlet.  
 Airflow performance includes 1” (25.4mm) washable [600 FPM (3.0 m/s) max] filter media.

MAX CFM's for Factory Washable Filters		
Filter Size (in/mm)	CFM	L/s
14" X 25" / 356 x 635	1400	661
16" X 25" / 406 x 635	1600	755
20" X 25" / 508 x 635	2000	944
24" X 25" / 610 x 635	2500	1180
Max CFM based on 600 FPM (3.0 m/s)		

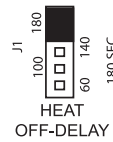
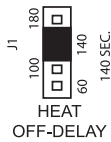
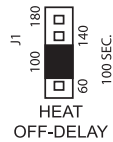
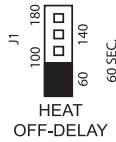
NOTE: Disposable filters are typically rated at 300 FPM (1.5 m/s). These filters only allow half the airflow when compared to 600 FPM (3.0 m/s) filters.

# Wiring Diagram (Single Stage, PSC Blower Motor)

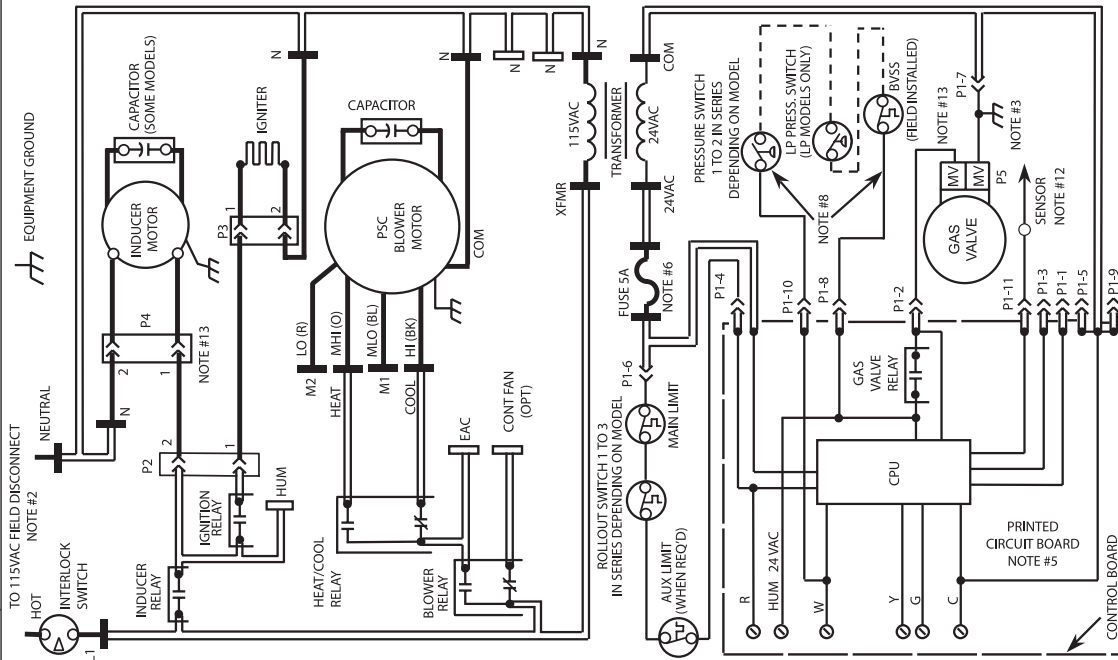
COOL ON DELAY: 5 SEC  
 COOL OFF DELAY: 90 SEC  
 HEAT ON DELAY: 30 SEC

EAC + HUM 1.0A MAX  
 COMBINED

## FURNACE CONTROL J1

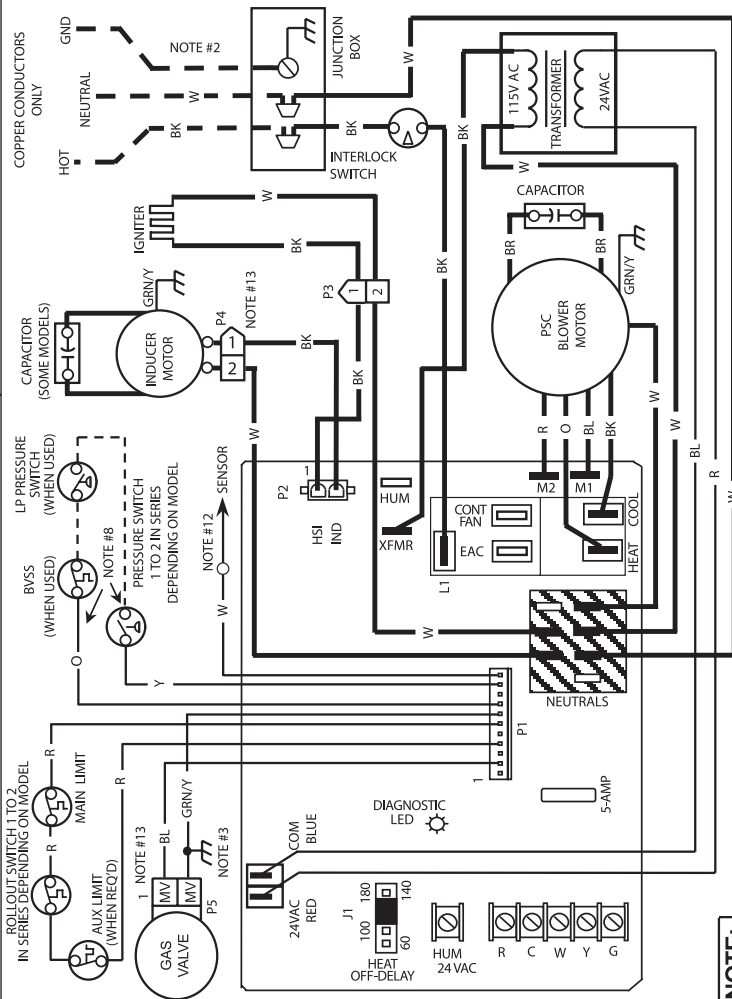


## LADDER DIAGRAM



333309-101 REV. B

## WARNING: ELECTRICAL SHOCK HAZARD DISCONNECT BEFORE SERVICING



### NOTE:

- If any of the original equipment wire is replaced use wire rated 105° C.
- Use only copper wire between the disconnect switch and the furnace junction box.
- This wire must be connected to furnace sheet metal for control to prove flame.
- Symbols are electrical representation only.
- Solid lines inside circuit board are printed circuit board traces and are not depicted as shown in the legend.
- Replace only with a 5 amp fuse.
- Blower motor speed selections are for average conditions, see installation instructions for details on optimum speed selection.
- Factory connected when LP Pressure Switch and BVSS (Chimney Adapter Accessory Kit) are not installed.
- Blower off-delay, gas heating selections are (60, 100, 140, and 180) seconds, cooling or heat pump 90 seconds.
- Ignition lockout will occur after four consecutive unsuccessful trials for ignition. Control will auto-reset after three hours.
- Blower motor and inducer motor contain internal auto-reset thermal overload switches.
- Flame sensor: 0.7 µA D.C. minimum, 2.0 - 4.0 µA nominal.
- Depending on model, P4 inducer motor leads and P5 gas valve leads may be in a single connector or two quick connectors.

### SPEED TAP CODE

BLACK	HI
BLUE	MI
BROWN	LO
GREEN/YELLOW	MILO
ORANGE	HI
RED	LO

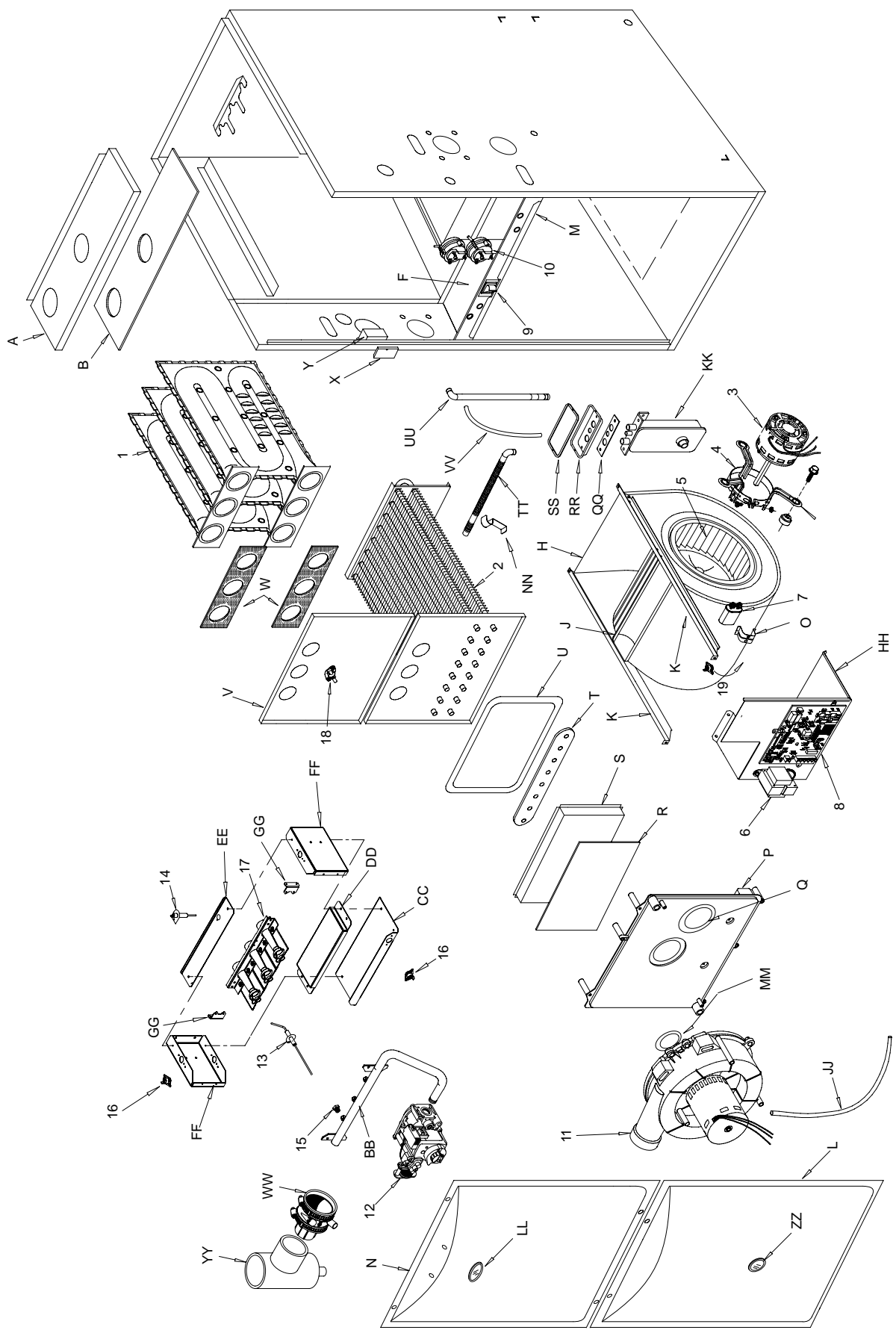
### COLOR CODE

BK	BLACK
BL	BLUE
BR	BROWN
GRN/Y	GREEN/YELLOW
O	ORANGE
R	RED
W	WHITE
Y	YELLOW

- LOW VOLTAGE FACTORY
- LOW VOLTAGE FIELD
- LINE VOLTAGE FACTORY
- LINE VOLTAGE FIELD
- CONDUCTOR ON CONTROL
- JUNCTION
- UNMARKED TERMINAL
- CONTROL TERMINAL

# N9MP1, N9MP2, N9MPD or \*9MPD

Representative drawing only, some models may vary in appearance.



25-25-59

## Replacement Parts – N9MP1 & N9MP2

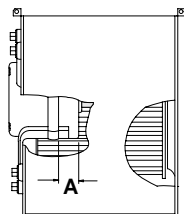
**Models** – N9MP1040B08C2, N9MP1050B12C2, N9MP1060B12C2, N9MP1075B12C2, N9MP1080F16C2, N9MP1100F14C2, N9MP1100J20C2 & N9MP1125J20C2 – N9MP2050B12C2, N9MP2075B12C2, N9MP2080F16C2, N9MP2100F14C2, N9MP2100J20C2 & N9MP2125J20C2 (Natural Gas)

**Replacement part supplied will be current active part. For parts not listed, consult place of purchase.**

Key No.	Description Functional	Part Number	N9MP1								N9MP2					
			040B 08C	050B 12C	060B 12C	075B 12C	080F 16C	100F 14C	100J 20C	125J 20C	050B 12C	075B 12C	080F 16C	100F 14C	100J 20C	125J 20C
1	Heat Exchanger, Primary	1012847	1	1	-	-	-	-	-	-	-	1	-	-	-	-
		1012851	-	-	1	1	-	-	-	-	-	-	1	-	-	-
		1012855	-	-	-	-	1	1	-	-	-	-	1	1	-	-
		1012856	-	-	-	-	-	-	1	-	-	-	-	-	1	-
		1012859	-	-	-	-	-	-	-	1	-	-	-	-	-	1
2	Heat Exchanger, Secondary	1013760	1	1	-	-	-	-	-	-	-	1	-	-	-	-
		1013761	-	-	1	1	-	-	-	-	-	-	1	-	-	-
		1013764	-	-	-	-	1	1	-	-	-	-	1	1	-	-
		1013765	-	-	-	-	-	-	1	-	-	-	-	-	1	-
		1013766	-	-	-	-	-	-	-	-	1	-	-	-	-	1
3	Motor, Blr 1/115 1/4 CCW 1/115 1/2 CCW 1/115 1/2 CCW 1/115 3/4 CCW	1175724	1	-	-	-	-	-	-	-	-	-	-	-	-	-
		1172488	-	1	-	-	1	-	-	-	-	1	-	-	-	-
		1172487	-	-	1	1	-	1	-	-	-	-	1	-	-	-
		1172489	-	-	-	-	-	-	-	1	1	-	-	-	1	1
4	Mount, Motor kit*	1014824	1	1	1	1	-	-	-	-	1	1	-	-	-	-
		1014823	-	-	-	-	1	-	1	1	-	-	1	-	1	1
		1014822	-	-	-	-	-	1	-	-	-	-	-	1	-	-
5	Wheel, Blower	1013011	1	1	-	1	-	-	-	-	1	1	-	-	-	-
		1011420	-	-	1	-	1	1	1	1	-	-	1	1	1	1
6	Transformer	1172810	1	1	1	1	1	1	1	1	1	1	1	1	1	1
7	Capacitor, 10Mfd, 370V 7.5Mfd., 370V 40Mfd., 370V	1171729	-	1	-	-	1	-	-	-	-	1	-	1	-	-
		1171728	1	-	1	1	-	1	-	-	-	1	-	1	-	-
		1171982	-	-	-	-	-	-	1	1	-	-	-	-	1	1
8	Control	1172550	1	1	1	1	1	1	1	1	1	1	1	1	1	1
9	Switch, Interlock	1171981	1	1	1	1	1	1	1	1	1	1	1	1	1	1
10	Switch, Pressure	1175725	1	-	1	-	-	-	-	-	-	-	-	-	-	-
		1013802	-	1	-	1	-	-	1	-	-	1	-	-	1	-
		1013811	-	-	-	-	1	-	-	-	-	1	-	-	-	-
		1013801	-	-	-	-	-	1	-	-	-	1	-	1	-	-
		1013166	-	-	-	-	-	-	-	-	1	-	-	-	-	1
11	Blower, Exhaust (Jakel)	1172823	1	1	1	1	1	1	1	-	1	1	1	1	1	-
		1172824	-	-	-	-	-	-	-	1	-	-	-	-	-	1
12	Valve, Gas	1175705	1	1	1	1	1	1	1	1	1	1	1	1	1	1
13	Flame Sensor	1172827	1	1	1	1	1	1	1	1	1	1	1	1	1	1
14	Igniter	1172533	1	1	1	1	1	1	1	1	1	1	1	1	1	1
15	Orifice, Burner #42 Nat. #44 Nat.	1011351	-	2	-	3	-	4	4	5	2	3	-	4	4	5
		1011352	2	-	3	-	4	-	-	-	-	-	4	-	-	-
16	Switch, Limit (Rollout)	1013102	2	2	2	2	2	2	2	2	2	2	2	2	2	2
17	Burner Assembly	1172847	1	1	-	-	-	-	-	-	-	1	-	-	-	-
		1172965	-	-	1	1	-	-	-	-	-	-	1	-	-	-
		1172966	-	-	-	-	1	1	1	-	-	-	1	1	1	-
		1172967	-	-	-	-	-	-	-	1	-	-	-	-	-	1
18	Switch, Limit (Main)	34335001	-	-	-	1	-	-	-	-	-	-	1	-	-	-
		34335002	-	1	-	-	-	-	-	-	-	1	-	-	-	-
		34335000	-	-	-	-	-	-	-	-	-	-	-	-	-	-
		1320361	1	-	-	-	1	1	-	-	-	-	1	1	-	-
		1008445	-	-	1	-	-	-	-	-	1	-	-	-	-	1
		1320361	-	-	-	-	-	-	-	1	-	-	-	-	1	-
19	Switch, Auxilliary	34335000	-	-	1	-	-	-	-	-	-	-	-	-	-	

\*See Table below for bellyband location on motor

Bellyband Location on Motor		
Model	A	
	inches	mm
N9MP1/2		
040B08C2	1.65"	41.9
050B12C2	2.09"	53.1
060B12C2	1.36"	35.1
075B12C2	1.38"	35.1



Bellyband Location on Motor		
Model	A	
	inches	mm
N9MP1/2		
080F16C2	1.81"	46
100F14C2	1.38"	35.1
100J20C2	1.65"	41.9
125J20C2	1.65"	41.9

## Replacement Parts – N9MP1 & N9MP2

**Models** – N9MP1040B08C2, N9MP1050B12C2, N9MP1060B12C2, N9MP1075B12C2, N9MP1080F16C2, N9MP1100F14C2, N9MP1100J20C2 & N9MP1125J20C2 – N9MP2050B12C2, N9MP2075B12C2, N9MP2080F16C2, N9MP2100F14C2, N9MP2100J20C2 & N9MP2125J20C2 (Natural Gas)

**Replacement part supplied will be current active part. For parts not listed, consult place of purchase.**

Key No.	Description Non-Functional	Part Number	N9MP1								N9MP2					
			040B 12C	050B 12C	060B 12C	075B 12C	080F 16C	100F 14C	100J 20C	125J 20C	050B 12C	075B 12C	080F 16C	100F 14C	100J 20C	125J 20C
A	Panel, Top	1013507	1	1	1	1	-	-	-	-	-	-	-	-	-	-
		1013508	-	-	-	-	1	1	-	-	-	-	-	-	-	-
		1013509	-	-	-	-	-	-	1	1	-	-	-	-	-	-
		1012957	-	-	-	-	-	-	-	-	-	1	1	-	-	-
		1012958	-	-	-	-	-	-	-	-	-	-	-	1	1	-
		1012959	-	-	-	-	-	-	-	-	-	-	-	-	-	1
B	Gasket, Top Panel	1012602	1	1	1	1	-	-	-	-	1	1	-	-	-	-
		1012603	-	-	-	-	1	1	-	-	-	-	1	1	-	-
		1012604	-	-	-	-	-	-	1	1	-	-	-	-	1	1
F	Partition, Blower	1171983	1	1	1	1	-	-	-	-	-	-	-	-	-	-
		1171984	-	-	-	-	1	1	-	-	-	-	-	-	-	-
		1171985	-	-	-	-	-	-	1	1	-	-	-	-	-	-
		1172004	-	-	-	-	-	-	-	-	-	1	1	-	-	-
		1172005	-	-	-	-	-	-	-	-	-	-	-	1	1	-
		1172006	-	-	-	-	-	-	-	-	-	-	-	-	-	1
H	Housing, Blower	1172885	1	1	-	1	-	-	-	-	1	1	-	-	-	-
		1172969	-	-	-	-	1	1	1	1	-	-	1	1	1	1
		1175827	-	-	1	-	-	-	-	-	-	-	-	-	-	-
		1175827			1											
J	Panel, Blower Cutoff	721020013	1	1	1	1	-	-	-	-	1	1	-	-	-	-
		721020008	-	-	-	-	1	1	1	1	-	-	1	1	1	1
K	Hanger, Blower	1012328	2	2	2	2	2	2	2	2	2	2	2	2	2	
L	Door, Blower	1172992	1	1	1	1	-	-	-	-	-	-	-	-	-	-
		1172994	-	-	-	-	1	1	-	-	-	-	-	-	-	-
		1172996	-	-	-	-	-	-	1	1	-	-	-	-	-	-
		1172991	-	-	-	-	-	-	-	-	-	1	1	-	-	-
		1172993	-	-	-	-	-	-	-	-	-	-	-	1	1	-
		1172995	-	-	-	-	-	-	-	-	-	-	-	-	-	1
M	Bracket, Door Filler	1172231	1	1	1	1	-	-	-	-	1	1	-	-	-	-
		1172232	-	-	-	-	1	1	-	-	-	-	1	1	-	-
		1172233	-	-	-	-	-	-	1	1	-	-	-	-	1	1
N	Door, Front	1013789	1	1	1	1	-	-	-	-	-	-	-	-	-	-
		1013790	-	-	-	-	1	1	-	-	-	-	-	-	-	-
		1013791	-	-	-	-	-	-	1	1	-	-	-	-	-	-
		1013210	-	-	-	-	-	-	-	-	-	1	1	-	-	-
		1013211	-	-	-	-	-	-	-	-	-	-	-	1	1	-
		1013212	-	-	-	-	-	-	-	-	-	-	-	-	-	1
O	Strap, Capacitor	1170643	1	1	1	1	1	1	-	-	1	1	1	1	-	-
		1014315	-	-	-	-	-	-	1	1	-	-	-	-	1	1
P	Transition Assembly	1172227	1	1	1	1	-	-	-	-	1	1	-	-	-	-
		1172228	-	-	-	-	1	1	-	-	-	-	1	1	-	-
		1172229	-	-	-	-	-	-	1	1	-	-	-	-	1	1
Q	Gasket, Blower	1014425	1	1	1	1	1	1	1	1	1	1	1	1	1	
R	Board, Insulating	1012417	1	1	1	1	-	-	-	-	1	1	-	-	-	-
		1012418	-	-	-	-	1	1	-	-	-	-	1	1	-	-
		1012419	-	-	-	-	-	-	1	1	-	-	-	-	1	1
S	Box, Collector	1012128	1	1	1	1	-	-	-	-	1	1	-	-	-	-
		1012244	-	-	-	-	1	1	-	-	-	-	1	1	-	-
		1012245	-	-	-	-	-	-	1	1	-	-	-	-	1	1
T	Gasket, Transition	1013079	1	1	1	1	-	-	-	-	1	1	-	-	-	-
		1013080	-	-	-	-	1	1	-	-	-	-	1	1	-	-
		1013083	-	-	-	-	-	-	1	1	-	-	-	-	1	1
U	Gasket, Collector Box	1012593	1	1	1	1	-	-	-	-	1	1	-	-	-	-
		1012594	-	-	-	-	1	1	-	-	-	-	1	1	-	-
		1012595	-	-	-	-	-	-	1	1	-	-	-	-	1	1
V	Partition, Front Ht Exchanger	1012646	1	1	-	-	-	-	-	-	1	-	-	-	-	-
		1012647	-	-	1	1	-	-	-	-	-	1	-	-	-	-
		1012649	-	-	-	-	1	1	-	-	-	-	1	1	-	-
		1012651	-	-	-	-	-	-	1	-	-	-	-	-	1	-
		1012652	-	-	-	-	-	-	-	1	-	-	-	-	-	1

## Replacement Parts – N9MP1 & N9MP2

**Models** – N9MP1040B08C2, N9MP1050B12C2, N9MP1060B12C2, N9MP1075B12C2, N9MP1080F16C2, N9MP1100F14C2, N9MP1100J20C2 & N9MP1125J20C2 – N9MP2050B12C2, N9MP2075B12C2, N9MP2080F16C2, N9MP2100F14C2, N9MP2100J20C2 & N9MP2125J20C2 (Natural Gas)

**Replacement part supplied will be current active part. For parts not listed, consult place of purchase.**

Key No.	Description Non-Functional	Part Number	N9MP1								N9MP2					
			040B 08C	050B 12C	060B 12C	075B 12C	080F 16C	100F 14C	100J 20C	125J 20C	050B 12C	075B 12C	080F 16C	100F 14C	100J 20C	125J 20C
W	Gasket, Attachment Plate	1012542	2	2	-	-	-	-	-	-	-	2	-	-	-	-
		1012543	-	-	2	2	-	-	-	-	-	-	2	-	-	-
		1012544	-	-	-	-	2	2	2	2	-	-	-	2	2	2
		1012545	-	-	-	-	-	-	-	-	2	-	-	-	-	2
X	Cover, Junction Box	1012350	1	1	1	1	1	1	1	1	1	1	1	1	1	
Y	Box, Junction	1172860	1	1	1	1	1	1	1	1	1	1	1	1	1	
BB	Manifold	1012276	1	1	-	-	-	-	-	-	-	1	-	-	-	-
		1012277	-	-	1	1	-	-	-	-	-	-	1	-	-	-
		1012278	-	-	-	-	1	1	1	-	-	-	-	1	1	1
		1012279	-	-	-	-	-	-	-	1	-	-	-	-	-	1
CC	Bottom, Burner Box	1172847	1	1	-	-	-	-	-	-	-	1	1	-	-	-
		1172848	-	-	1	1	-	-	-	-	-	-	-	1	1	-
		1172849	-	-	-	-	1	1	1	-	-	-	-	-	-	1
		1172850	-	-	-	-	-	-	-	1	-	-	-	-	-	-
DD	Baffle, Burner Box	1012338	1	1	1	1	-	-	-	-	-	1	1	-	-	-
		1012339	-	-	-	-	1	1	1	-	-	-	-	1	1	-
		1012340	-	-	-	-	-	-	-	1	-	-	-	-	-	1
EE	Top, Burner Box	1013702	1	1	1	1	-	-	-	-	-	1	1	-	-	-
		1013703	-	-	-	-	1	1	1	-	-	-	-	1	1	-
		1013704	-	-	-	-	-	-	-	1	-	-	-	-	-	1
FF	Bracket, Manifold Support	1012377	2	2	2	2	2	2	2	2	2	2	2	2	2	
GG	Bracket, Burner Box Side	1012532	2	2	2	2	2	2	2	2	2	2	2	2	2	
HH	Bracket, Control Mounting	1172845	1	1	1	1	1	1	1	1	1	1	1	1	1	
JJ	Tube, Sensor	1172240	1	1	1	1	1	1	1	-	-	1	1	1	1	1
		1172238	-	-	-	-	-	-	-	1	-	-	-	-	-	-
		1172241	-	-	-	-	-	-	-	1	-	-	-	-	-	-
KK	Trap, Drain Assembly	1171917	1	1	1	1	1	1	1	1	1	1	1	1	1	
LL	Sightglass	1012756	1	1	1	1	1	1	1	1	1	1	1	1	1	
MM	Plate, Restrictor	1175729	1	-	-	-	-	-	-	-	-	-	-	-	-	
NN	Clip, Retainer	1175788	1	1	1	1	1	1	1	1	1	1	1	1	1	
QQ	Gasket, Trap	1013701	1	1	1	1	1	1	1	1	1	1	1	1	1	
RR	Bracket, Trap	1171986	1	1	1	1	1	1	1	1	1	1	1	1	1	
SS	Gasket, Trap Bracket	1172000	1	1	1	1	1	1	1	1	-	-	-	-	-	
		1171987	-	-	-	-	-	-	-	-	1	1	1	1	1	1
TT	Tube, Drain Coll. Box <sup>5</sup> / <sub>8</sub> " ID	1173065	1	1	1	1	1	1	1	1	-	-	-	-	-	
		1172245	-	-	-	-	-	-	-	-	-	1	1	1	1	1
UU	Tube, Drain Tee <sup>1</sup> / <sub>2</sub> " ID	1171989	1	1	1	1	1	1	1	1	1	1	1	1	1	
VV	Tube, Relief	1172012	1	1	1	1	1	1	1	1	1	1	1	1	1	
WW	Drain Vent	1014003	1	1	1	1	1	1	1	1	1	1	1	1	1	
ZZ	Sightglass	1172768	-	-	-	-	-	-	-	-	-	1	1	1	1	
)	<b>PART NOT ILLUSTRATED</b>															
)	Door Screws	1014488	4	4	4	4	4	4	4	4	4	4	4	4	4	4
)	Door Screws Grommets	1171990	4	4	4	4	4	4	4	4	4	4	4	4	4	4
)	Clamp, Hose <sup>3</sup> / <sub>4</sub> "	1012976	2	2	2	2	2	2	2	2	2	2	2	2	2	2
)	Clamp, Hose <sup>5</sup> / <sub>8</sub> "	1012975	4	4	4	4	4	4	4	4	4	4	4	4	4	4
)	Grommet, Vent	1012697	1	1	1	1	1	1	1	1	1	1	1	1	1	1
)	Bushing, Strain Relief	1945287	1	1	1	1	1	1	1	1	1	1	1	1	1	1
)	Harness, Wire	1175880	1	1	-	1	1	1	1	1	1	1	1	1	1	1
)	Harness, Wire	1175727	-	-	1	-	-	-	-	-	-	-	-	-	-	-
)	Trap, Drain Tee	1171916	1	1	1	1	1	1	1	1	1	1	1	1	1	1
)	Tube, <sup>1</sup> / <sub>2</sub> " ID Drain	1171991	1	1	1	1	1	1	1	1	1	1	1	1	1	1
)	Tube, <sup>1</sup> / <sub>2</sub> " ID Elbow Street	1171996	1	1	1	1	1	1	1	1	1	1	1	1	1	1
)	Coupling, <sup>1</sup> / <sub>2</sub> " Barbed	1171993	1	1	1	1	1	1	1	1	1	1	1	1	1	1

## Replacement Parts – N9MP1 & N9MP2

**Models** – N9MP1040B08C2, N9MP1050B12C2, N9MP1060B12C2, N9MP1075B12C2, N9MP1080F16C2, N9MP1100F14C2, N9MP1100J20C2 & N9MP1125J20C2 – N9MP2050B12C2, N9MP2075B12C2, N9MP2080F16C2, N9MP2100F14C2, N9MP2100J20C2 & N9MP2125J20C2 (Natural Gas)

**Replacement part supplied will be current active part. For parts not listed, consult place of purchase.**

Key No.	Description Non-Functional	Part Number	N9MP1								N9MP2					
			040B 08C	050B 12C	060B 12C	075B 12C	080F 16C	100F 14C	100J 20C	125J 20C	050B 12C	075B 12C	080F 16C	100F 14C	100J 20C	125J 20C
)	<b>PART NOT ILLUSTRATED</b>															
)	Tube, 1/2" ID Elbow	1171992	-	-	-	-	-	-	-	-	-	1	1	1	1	1
)	Tubing, 5/8" ID Drain	1171994	1	1	1	1	1	1	1	1	1	1	1	1	1	1
)	Connector, 3/4" X 1/2"	1171995	1	1	1	1	1	1	1	1	1	1	1	1	1	1
)	Plate, Cover Trap	1171999	1	1	1	1	1	1	1	1	1	1	1	1	1	1
)	Gasket, Trap Bracket	1171987	1	1	1	1	1	1	1	1	1	1	1	1	1	1
)	Elbow, 1/2" CPVC Street	1171996	1	1	1	1	1	1	1	1	1	1	1	1	1	1
)	Grommet, Casing	1171997	1	1	1	1	1	1	1	1	1	1	1	1	1	1
)	Tube, Relief Ext.	1172239	1	1	1	1	1	1	1	1	1	1	1	1	1	1
)	Connector, Relief Tube	1171998	1	1	1	1	1	1	1	1	1	1	1	1	1	1
)	Gasket, Cover Plate	1172000	1	1	1	1	1	1	1	1	1	1	1	1	1	1
)	Cap, Drain Tee	1171916	1	1	1	1	1	1	1	1	1	1	1	1	1	1
)	Clamp, Tee Cap	1172002	1	1	1	1	1	1	1	1	1	1	1	1	1	1
)	Coupling, Air Intake	1012284	-	-	-	-	-	-	-	-	-	1	1	1	1	1
)	Gasket, Air Intake	1012583	-	-	-	-	-	-	-	-	-	1	1	1	1	1
)	Gasket, Trap Bracket	1171987	-	-	-	-	-	-	-	-	-	1	1	1	1	1
)	Grommet, Vinyl (Gas Inlet)	1009535	-	-	-	-	-	-	-	-	-	1	1	1	1	1
)	Bushing, Strain Relief	1945287	-	-	-	-	-	-	-	-	-	1	1	1	1	1
)	Installation Manual	44001102402	1	1	1	1	1	1	1	1	1	1	1	1	1	1
)	User's Manual	44102201200	1	1	1	1	1	1	1	1	1	1	1	1	1	1



## Replacement Parts – N9MPD

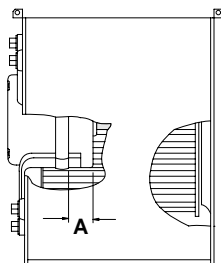
**Models** – N9MPD040F08A2, N9MPD050F12A2, N9MPD060F12A2, N9MPD075F12A2, N9MPD080J16A2, N9MPD100J14A2, N9MPD100J20A2 & N9MPD125L20A2 (Natural Gas)

**Replacement part supplied will be current active part. For parts not listed, consult place of purchase.**

Key No.	Description Functional	Part Number	N9MPD							
			040F08A	050F12A	060F12A	075F12A	080J16A	100J14A	100J20A	125L20A
1	Heat Exchanger, Primary	1012850	1	1	-	-	-	-	-	-
		1012854	-	-	1	1	-	-	-	-
		1012858	-	-	-	-	1	1	1	-
		1012862	-	-	-	-	-	-	-	1
2	Heat Exchanger, Secondary	1013762	1	1	-	-	-	-	-	-
		1013763	-	-	1	1	-	-	-	-
		1013765	-	-	-	-	1	1	1	-
		1013767	-	-	-	-	-	-	-	1
3	Motor, Blower	1175724	1	-	-	-	-	-	-	-
		1172488	-	1	-	-	1	-	-	-
		1172487	-	-	1	1	-	1	-	-
		1172489	-	-	-	-	-	-	1	1
4	Mount, Motor kit*	1014824	1	1	-	-	-	-	-	-
		1014822	-	-	1	1	-	1	-	-
		1014823	-	-	-	-	1	-	1	1
5	Wheel, Blower	1013011	1	1	-	-	-	-	-	-
		1011420	-	-	1	1	1	1	1	1
6	Transformer	1172810	1	1	1	1	1	1	1	
7	Capacitor, 7.5Mfd.,370V 10Mfd.,370V 40Mfd.,370V	1171728	-	-	1	1	-	1	-	-
		1171729	1	1	-	-	1	-	-	-
		1171982	-	-	-	-	-	-	1	1
8	Control, Fan Timer	1172550	1	1	1	1	1	1	1	
9	Switch, Interlock	1171981	1	1	1	1	1	1	1	
10	Switch, Pressure	1175818	1	-	-	-	-	-	-	-
		1175726	-	-	1	-	-	-	-	-
		1013802	-	1	-	1	-	1	1	-
		1013812	-	-	-	-	1	-	-	-
10	Switch, (Hi Altitude)	1013166	-	-	-	-	-	-	-	1
		1175819	1	-	1	-	-	-	-	-
		1013803	-	1	-	1	-	1	1	-
		1013813	-	-	-	-	1	-	-	-
11	Blower, Exhaust	1013157	-	-	-	-	-	-	-	1
		1172823	1	1	1	1	1	1	1	-
1172824	-	-	-	-	-	-	-	-	1	
12	Valve, Gas Nat.	1175705	1	1	1	1	1	1	1	
13	Flame Sensor	1172827	1	1	1	1	1	1	1	
14	Igniter	1172533	1	1	1	1	1	1	1	
15	Orifice, Burner #42 Nat. #44 Nat.	1011351	-	2	-	3	-	4	4	5
		1011352	2	-	3	-	4	-	-	-
16	Switch, Limit (Rollout)	1013102	2	2	2	2	2	2	2	
17	Burner Assembly	1172884	1	1	-	-	-	-	-	-
		1172965	-	-	1	1	-	-	-	-
		1172966	-	-	-	-	1	1	1	-
		1172967	-	-	-	-	-	-	-	1
18	Switch, Limit (Main)	1320366	1	1	-	-	-	-	-	-
		1320361	-	-	1	-	-	-	-	-
		34335002	-	-	-	1	-	-	-	-
		1008445	-	-	-	-	-	-	-	1
		1320367	-	-	-	-	1	1	1	-

\*See Table below for bellyband location on motor

Bellyband Location on Motor		
Model	A	
	inches	mm
N9MPD		
040F08A2	1.65	41.9
050F12A2	2.09	53.1
060F12A2	1.38	35.1
075F12A2	1.38	35.1



Bellyband Location on Motor		
Model	A	
	inches	mm
N9MPD		
080J16A2	1.81	46
100J14A2	1.38	35.1
100J20A2	1.65	41.9
125L20A2	1.65	41.9

## Replacement Parts – N9MPD

**Models** – N9MPD040812A2, N9MPD050F12A2, N9MPD060F12A2, N9MPD075F12A2, N9MPD080J16A2, N9MPD100J14A2, N9MPD100J20A2 & N9MPD125L20A2 (Natural Gas)

**Replacement part supplied will be current active part. For parts not listed, consult place of purchase.**

Key No.	Description Non-Functional	Part Number	N9MPD							
			040F08A	050F12A	060F12A	075F12A	080J16A	100J14A	100J20A	125L20A
A	Panel, Top	1012866	1	1	1	1	-	-	-	-
		1012867	-	-	-	-	1	1	1	-
		1012868	-	-	-	-	-	-	-	1
B	Gasket, Top Panel	1012603	1	1	1	1	-	-	-	-
		1012604	-	-	-	-	1	1	1	-
		1012605	-	-	-	-	-	-	-	1
F	Partition, Blower	1172008	1	1	-	-	-	-	-	-
		1172005	-	-	1	1	-	-	-	-
		1172006	-	-	-	-	1	1	1	-
		1172007	-	-	-	-	-	-	-	1
H	Housing, Blower	1172885	1	1	-	-	-	-	-	-
		1172969	-	-	1	1	1	1	1	1
J	Panel, Blower Cutoff	721020013	1	1	-	-	-	-	-	-
		721020008	-	-	1	1	1	1	1	1
K	Hanger, Blower	1012328	2	2	2	2	2	2	2	2
L	Door, Blower	1014847	1	1	1	1	-	-	-	-
		1014848	-	-	-	-	1	1	1	-
		1012804	-	-	-	-	-	-	-	1
M	Bracket, Door Filler	1172232	1	1	1	1	-	-	-	-
		1172233	-	-	-	-	1	1	1	-
		1172234	-	-	-	-	-	-	-	1
N	Door, Front	1012806	1	1	1	1	-	-	-	-
		1012807	-	-	-	-	1	1	1	-
		1012808	-	-	-	-	-	-	-	1
O	Clamp, Capacitor	1170643	1	1	1	1	1	1	-	-
		1014315	-	-	-	-	-	-	1	1
P	Transition Assembly	1172228	1	1	1	1	-	-	-	-
		1172229	-	-	-	-	1	1	1	-
		1172230	-	-	-	-	-	-	-	1
Q	Gasket, Blower	1014425	1	1	1	1	1	1	1	1
R	Board, Insulating	1012418	1	1	1	1	-	-	-	-
		1012419	-	-	-	-	1	1	1	-
		1012420	-	-	-	-	-	-	-	1
S	Box, Collector	1012244	1	1	1	1	-	-	-	-
		1012245	-	-	-	-	1	1	1	-
		1012246	-	-	-	-	-	-	-	1
T	Gasket, Transition	1013263	1	1	-	-	-	-	-	-
		1013080	-	-	1	1	-	-	-	-
		1013083	-	-	-	-	1	1	1	-
		1013084	-	-	-	-	-	-	-	1
U	Gasket, Collector Box	1012594	1	1	1	1	-	-	-	-
		1012595	-	-	-	-	1	1	1	-
		1012596	-	-	-	-	-	-	-	1
V	Partition, Frt Ht Exchanger	1012650	1	1	-	-	-	-	-	-
		1012648	-	-	1	1	-	-	-	-
		1012651	-	-	-	-	1	1	1	-
		1012653	-	-	-	-	-	-	-	1
W	Gasket, Attachment Plate	1012542	2	2	-	-	-	-	-	-
		1012543	-	-	2	2	-	-	-	-
		1012544	-	-	-	-	2	2	2	-
		1012545	-	-	-	-	-	-	-	2

## Replacement Parts – N9MPD

**Models** – N9MPD040F08A2, N9MPD050F12A2, N9MPD060F12A2, N9MPD075F12A2, N9MPD080J16A2, N9MPD100J14A2, N9MPD100J20A2 & N9MPD125L20A2 (Natural Gas)

**Replacement part supplied will be current active part. For parts not listed, consult place of purchase.**

Key No.	Description Non-Functional	Part Number	N9MPD							
			040F08A	050F12A	060F12A	075F12A	080J16A	100J14A	100J20A	125L20A
X	Cover, Junction Box	1012350	1	1	1	1	1	1	1	1
Y	Box, Junction	1172860	1	1	1	1	1	1	1	1
BB	Manifold	1012276	1	1	-	-	-	-	-	-
		1012277	-	-	1	1	-	-	-	-
		1012278	-	-	-	-	1	1	1	-
		1012279	-	-	-	-	-	-	-	1
CC	Bottom, Burner Box	1172847	1	1	-	-	-	-	-	-
		1172848	-	-	1	1	-	-	-	-
		1172849	-	-	-	-	1	1	1	-
		1172850	-	-	-	-	-	-	-	1
DD	Baffle, Burner Box	1012338	1	1	1	1	-	-	-	-
		1012339	-	-	-	-	1	1	1	-
		1012340	-	-	-	-	-	-	-	1
EE	Top, Burner Box	1013702	1	1	1	1	-	-	-	-
		1013703	-	-	-	-	1	1	1	-
		1013704	-	-	-	-	-	-	-	1
FF	Bracket, Manifold Support	1012377	2	2	2	2	2	2	2	2
GG	Bracket, Burner Box Side	1012532	2	2	2	2	2	2	2	2
HH	Bracket, Control Mounting	1172845	1	1	1	1	1	1	1	1
JJ	Tube, Sensor	1172240	1	1	1	1	1	1	1	-
		1172238	-	-	-	-	-	-	-	1
		1172241	-	-	-	-	-	-	-	1
KK	Trap, Drain Assembly	1171917	1	1	1	1	1	1	1	1
LL	Sightglass	1012756	1	1	1	1	1	1	1	1
MM	Plate, Restrictor	1175816	1	-	-	-	-	-	-	-
		1175815	-	-	1	-	-	-	-	-
NN	Clip, Retainer	1175788	1	1	1	1	1	1	1	1
QQ	Gasket, Trap	1013701	1	1	1	1	1	1	1	1
RR	Bracket, Trap	1171986	1	1	1	1	1	1	1	1
SS	Gasket, Trap Bracket	1171987	1	1	1	1	1	1	1	1
TT	Tube, Drain Coll. Box $\frac{5}{8}$ " ID	1172245	1	1	1	1	1	1	1	1
UU	Tube, Drain Tee $\frac{1}{2}$ " ID	1171989	1	1	1	1	1	1	1	1
VV	Tube, Relief	1172012	1	1	1	1	1	1	1	1
WW	Drain Vent	1014003	1	1	1	1	1	1	1	1
YY	Tee, Drain	1171915	1	1	1	1	1	1	1	1
ZZ	Sightglass	1172768	1	1	1	1	1	1	1	1
) (	<b>PART NOT ILLUSTRATED</b>									
) (	Door Screws	1014488	4	4	4	4	4	4	4	4
) (	Door Screws Grommets	1171990	4	4	4	4	4	4	4	4
) (	Coupling, Air Intake	1012284	1	1	1	1	1	1	1	1
) (	Gasket, Air Intake	1012583	1	1	1	1	1	1	1	1
) (	Clamp, Hose $\frac{3}{4}$ "	1012976	2	2	2	2	2	2	2	2
) (	Clamp, Hose $\frac{5}{8}$ "	1012975	4	4	4	4	4	4	4	4
) (	Coupling, Discharge	1002522	2	2	2	2	2	2	2	2
) (	Clamp Hose	1013830	2	2	2	2	2	2	2	2
) (	Grommet, Vent	1012697	1	1	1	1	1	1	1	1
) (	Bushing, Strain Relief	1945287	1	1	1	1	1	1	1	1
) (	Grommet, Vinyl (gas Inlet)	1009535	1	1	1	1	1	1	1	1
) (	Harness, Wire	1175880	1	1	1	1	1	1	1	1

## Replacement Parts – N9MPD

**Models** – N9MPD040F08A2, N9MPD050F12A2, N9MPD060F12A2, N9MPD075F12A2, N9MPD080J16A2, N9MPD100J14A2, N9MPD100J20A2 & N9MPD125L20A2 (Natural Gas)

**Replacement part supplied will be current active part. For parts not listed, consult place of purchase.**

Key No.	Description Non-Functional	Part Number	N9MPD							
			040F08A	050F12A	060F12A	075F12A	080J16A	100J14A	100J20A	125L20A
) (	Trap, Drain Tee	1171916	1	1	1	1	1	1	1	1
) (	Tube, 1/2" ID Drain	1171991	1	1	1	1	1	1	1	1
) (	Tube, 1/2" ID Elbow	1171992	2	2	2	2	2	2	2	2
) (	Coupling, 1/2" Barbed	1171993	1	1	1	1	1	1	1	1
) (	Tubing, 5/8" ID Drain	1171994	1	1	1	1	1	1	1	1
) (	Connector, 3/4" X 1/2"	1171995	1	1	1	1	1	1	1	1
) (	Elbow, 1/2" CPVC Street	1171996	1	1	1	1	1	1	1	1
) (	Grommet, Casing	1171997	1	1	1	1	1	1	1	1
) (	Tube, Relief Ext.	1172239	1	1	1	1	1	1	1	1
) (	Connector, Relief Tube	1171998	1	1	1	1	1	1	1	1
) (	Plate, Cover	1171999	1	1	1	1	1	1	1	1
) (	Gasket, Cover Plate	1172000	1	1	1	1	1	1	1	1
) (	Cap, Drain Tee	1172255	1	1	1	1	1	1	1	1
) (	Clamp, Tee Cap	1172256	1	1	1	1	1	1	1	1
) (	Bottom Plug	1012977	1	1	1	1	1	1	1	1
		1013504	1	1	1	1	1	1	1	1
		1013470	1	1	1	1	1	1	1	1
) (	Installation Manual	44001102402	1	1	1	1	1	1	1	1
) (	User's Manual	44102201200	1	1	1	1	1	1	1	1

## Replacement Parts – \*9MPD

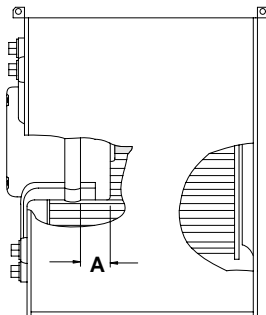
**Models** – \*9MPD050F12C2, \*9MPD075F12C2, \*9MPD080J16C2, \*9MPD100J14C2, \*9MPD100J20C2 & \*9MPD125L20C2 (Natural Gas) \*Denotes Brand

**Replacement part supplied will be current active part. For parts not listed, consult place of purchase.**

Key No.	Description Functional	Part Number	*9MPD					
			050F12C	075F12C	080J16C	100J14C	100J20C	125L20C
1	Heat Exchanger, Primary	1012850	1	-	-	-	-	-
		1012854	-	1	-	-	-	-
		1012858	-	-	1	1	1	-
		1012862	-	-	-	-	-	1
2	Heat Exchanger, Secondary	1013762	1	-	-	-	-	-
		1013763	-	1	-	-	-	-
		1013765	-	-	1	1	1	-
		1013767	-	-	-	-	-	1
3	Motor, Blower	1172488	1	-	1	-	-	-
		1172487	-	1	-	1	-	-
		1172489	-	-	-	-	1	1
4	Mount, Motor kit*	1014824	1	-	-	-	-	-
		1014822	-	1	-	1	-	-
		1014823	-	-	1	-	1	1
5	Wheel, Blower	1013011	1	-	-	-	-	-
		1011420	-	1	1	1	1	1
6	Transformer	1172810	1	1	1	1	1	1
7	Capacitor, 7.5Mfd.,370V 10Mfd.,370V 40Mfd.,370V	1171728	-	1	-	1	-	-
		1171729	1	-	1	-	-	-
		1171982	-	-	-	-	1	1
8	Control, Fan Timer	1172550	1	1	1	1	1	1
9	Switch, Interlock	1171981	1	1	1	1	1	1
10	Switch, Pressure	1013802	1	1	-	1	1	-
		1013812	-	-	1	-	-	-
		1013166	-	-	-	-	-	1
11	Blower, Exhaust	1172823	1	1	1	1	1	-
		1172824	-	-	-	-	-	1
12	Valve, Gas Nat.	1175705	1	1	1	1	1	1
13	Flame Sensor	1172827	1	1	1	1	1	1
14	Igniter	1172533	1	1	1	1	1	1
15	Orifice, Burner #42 Nat. #44 Nat.	1011351	2	3	-	4	4	5
		1011352	-	-	4	-	-	-
16	Switch, Limit (Rollout)	1013102	2	2	2	2	2	2
17	Burner Assembly	1172884	1	-	-	-	-	-
		1172965	-	1	-	-	-	-
		1172966	-	-	1	1	1	-
		1172967	-	-	-	-	-	1
18	Switch, Limit (Main)	1320366	1	-	-	-	-	-
		34335002	-	1	-	-	-	-
		1008445	-	-	-	-	-	1
		1320367	-	-	1	1	1	-

\*See Table below for bellyband location on motor

Bellyband Location on Motor		
Model	A	
*9MPD	inches	mm
050F12C2	2.09	53.1
075F12C2	1.38	35.1
080J16C2	1.81	46
100J14C2	1.38	35.1
100J20C2	1.65	41.9
125L20C2	1.65	41.9



## Replacement Parts – \*9MPD

**Models** – \*9MPD050F12C2, \*9MPD075F12C2, \*9MPD080J16C2, \*9MPD100J14C2, \*9MPD100J20C2 & \*9MPD125L20C2 (Natural Gas) \*Denotes Brand

**Replacement part supplied will be current active part. For parts not listed, consult place of purchase.**

Key No.	Description Non-Functional	Part Number	*9MPD					
			050F12C	075F12C	080J16C	100J14C	100J20C	125L20C
A	Panel, Top	1012866	1	1	-	-	-	-
		1012867	-	-	1	1	1	-
		1012868	-	-	-	-	-	1
B	Gasket, Top Panel	1012603	1	1	-	-	-	-
		1012604	-	-	1	1	1	-
		1012605	-	-	-	-	-	1
F	Partition, Blower	1172008	1	-	-	-	-	-
		1172005	-	1	-	-	-	-
		1172006	-	-	1	1	1	-
		1172007	-	-	-	-	-	1
H	Housing, Blower	1172885	1	-	-	-	-	-
		1172969	-	1	1	1	1	1
J	Panel, Blower Cutoff	721020013	1	-	-	-	-	-
		721020008	-	1	1	1	1	1
K	Hanger, Blower	1012328	2	2	2	2	2	2
L	Door, Blower (Tempstar only) (Tempstar only) (Tempstar only) (Comfortmaker/Keeprite only) (Comfortmaker/Keeprite only) (Comfortmaker/Keeprite only) (Heil/Arcoaire only) (Heil/Arcoaire only) (Heil/Arcoaire only)	1173015	1	1	-	-	-	-
		1173016	-	-	1	1	1	-
		1173082	-	-	-	-	-	1
		1173009	1	1	-	-	-	-
		1173010	-	-	1	1	1	-
		1173072	-	-	-	-	-	1
		1173012	1	1	-	-	-	-
		1173013	-	-	1	1	1	-
M	Bracket, Door Filler	1172232	1	1	-	-	-	-
		1172233	-	-	1	1	1	-
		1172234	-	-	-	-	-	1
N	Door, Front (Tstar only) (Tstar only) (Tstar only) (Cmaker/Keeprite only) (Cmaker/Keeprite only) (Cmaker/Keeprite only) (Heil/Arco only) (Heil/Arco only) (Heil/Arco only)	1013154	1	1	-	-	-	-
		1013155	-	-	1	1	1	-
		1013156	-	-	-	-	-	1
		1013148	1	1	-	-	-	-
		1013149	-	-	1	1	1	-
		1013150	-	-	-	-	-	1
		1013145	1	1	-	-	-	-
		1013146	-	-	1	1	1	-
1013147	-	-	-	-	-	1		
O	Clamp, Capacitor	1170643	1	1	1	1	-	-
		1014315	-	-	-	-	1	1
P	Transition Assembly	1172228	1	1	-	-	-	-
		1172229	-	-	1	1	1	-
		1172230	-	-	-	-	-	1
Q	Gasket, Blower	1014425	1	1	1	1	1	1
R	Board, Insulating	1012418	1	1	-	-	-	-
		1012419	-	-	1	1	1	-
		1012420	-	-	-	-	-	1
S	Box, Collector	1012244	1	1	-	-	-	-
		1012245	-	-	1	1	1	-
		1012246	-	-	-	-	-	1
T	Gasket, Transition	1013263	1	-	-	-	-	-
		1013080	-	1	-	-	-	-
		1013083	-	-	1	1	1	-
		1013084	-	-	-	-	-	1
U	Gasket, Collector Box	1012594	1	1	-	-	-	-
		1012595	-	-	1	1	1	-
		1012596	-	-	-	-	-	1
V	Partition, Frt Ht Exchanger	1012650	1	-	-	-	-	-
		1012648	-	1	-	-	-	-
		1012651	-	-	1	1	1	-
		1012653	-	-	-	-	-	1
W	Gasket, Attachment Plate	1012542	2	-	-	-	-	-
		1012543	-	2	-	-	-	-
		1012544	-	-	2	2	2	-
		1012545	-	-	-	-	-	2

## Replacement Parts – \*9MPD

**Models** – \*9MPD050F12C2, \*9MPD075F12C2, \*9MPD080J16C2, \*9MPD100J14C2, \*9MPD100J20C2 & \*9MPD125L20C2 (Natural Gas) \*Denotes Brand

**Replacement part supplied will be current active part. For parts not listed, consult place of purchase.**

Key No.	Description Non-Functional	Part Number	*9MPD					
			050F12C	075F12C	080J16C	100J14C	100J20C	125L20C
X	Cover, Junction Box	1012350	1	1	1	1	1	1
Y	Box, Junction	1172860	1	1	1	1	1	1
BB	Manifold	1012276	1	-	-	-	-	-
		1012277	-	1	-	-	-	-
		1012278	-	-	1	1	1	-
		1012279	-	-	-	-	-	1
CC	Bottom, Burner Box	1172847	1	1	-	-	-	-
		1172849	-	-	1	1	1	-
		1172850	-	-	-	-	-	1
DD	Baffle, Burner Box	1012338	1	1	-	-	-	-
		1012339	-	-	1	1	1	-
		1012340	-	-	-	-	-	1
EE	Top, Burner Box	1013702	1	1	-	-	-	-
		1013703	-	-	1	1	1	-
		1013704	-	-	-	-	-	1
FF	Bracket, Manifold Support	1012377	2	2	2	2	2	2
GG	Bracket, Burner Box Side	1012532	2	2	2	2	2	2
HH	Bracket, Control Mounting	1172845	1	1	1	1	1	1
JJ	Tube, Sensor	1172240	1	1	1	1	1	-
		1172238	-	-	-	-	-	1
		1172241	-	-	-	-	-	1
KK	Trap, Drain Assembly	1171917	1	1	1	1	1	1
LL	Sightglass Comfortmaker & Heil Tempstar Only	1013235	1	1	1	1	1	1
		1013236	1	1	1	1	1	1
NN	Clip, Retainer	1175788	1	1	1	1	1	1
QQ	Gasket, Trap	1013701	1	1	1	1	1	1
RR	Bracket, Trap	1171986	1	1	1	1	1	1
SS	Gasket, Trap Bracket	1171987	1	1	1	1	1	1
TT	Tube, Drain Coll. Box $\frac{5}{8}$ " ID	1172245	1	1	1	1	1	1
UU	Tube, Drain Tee $\frac{1}{2}$ " ID	1171989	1	1	1	1	1	1
VV	Tube, Relief	1172012	1	1	1	1	1	1
WW	Drain Vent	1014003	1	1	1	1	1	1
YY	Tee, Drain	1171915	1	1	1	1	1	1
ZZ	Sightglass	1172768	1	1	1	1	1	1
)	<b>PART NOT ILLUSTRATED</b>							
)	Door Screws	1014488	4	4	4	4	4	4
)	Door Screws Grommets	1171990	4	4	4	4	4	4
)	Coupling, Air Intake	1012284	1	1	1	1	1	1
)	Gasket, Air Intake	1012583	1	1	1	1	1	1
)	Clamp, Hose $\frac{3}{4}$ "	1012976	2	2	2	2	2	2
)	Clamp, Hose $\frac{5}{8}$ "	1012975	4	4	4	4	4	4
)	Coupling, Discharge	1002522	2	2	2	2	2	2
)	Clamp Hose	1013830	2	2	2	2	2	2
)	Grommet, Vent	1012697	1	1	1	1	1	1
)	Bushing, Strain Relief	1945287	1	1	1	1	1	1
)	Grommet, Vinyl (gas Inlet)	1009535	1	1	1	1	1	1
)	Harness, Wire	1175880	1	1	1	1	1	1

## Replacement Parts – \*9MPD

**Models** – \*9MPD050F12C2, \*9MPD075F12C2, \*9MPD080J16C2, \*9MPD100J14C2, \*9MPD100J20C2 & \*9MPD125L20C2 (Natural Gas) \*Denotes Brand

**Replacement part supplied will be current active part. For parts not listed, consult place of purchase.**

Key No.	Description Non-Functional	Part Number	*9MPD					
			050F12C	075F12C	080J16C	100J14C	100J20C	125L20C
) (	Trap, Drain Tee	1171916	1	1	1	1	1	1
) (	Tube, 1/2" ID Drain	1171991	1	1	1	1	1	1
) (	Tube, 1/2" ID Elbow	1171992	2	2	2	2	2	2
) (	Coupling, 1/2" Barbed	1171993	1	1	1	1	1	1
) (	Tubing, 5/8" ID Drain	1171994	1	1	1	1	1	1
) (	Connector, 3/4" X 1/2"	1171995	1	1	1	1	1	1
) (	Elbow, 1/2" CPVC Street	1171996	1	1	1	1	1	1
) (	Grommet, Casing	1171997	1	1	1	1	1	1
) (	Tube, Relief Ext.	1172239	1	1	1	1	1	1
) (	Connector, Relief Tube	1171998	1	1	1	1	1	1
) (	Plate, Cover	1171999	1	1	1	1	1	1
) (	Gasket, Cover Plate	1172000	1	1	1	1	1	1
) (	Cap, Drain Tee	1172255	1	1	1	1	1	1
) (	Clamp, Tee Cap	1172256	1	1	1	1	1	1
) (	Installation Manual	44001102402	1	1	1	1	1	1
) (	User's Manual	44102201200	1	1	1	1	1	1