



GE APPLIANCES
a Haier company

Product Specifications

NF80(U,D,L)S
**80% Single Stage Constant
Torque Gas Furnace**



READ CAREFULLY.
KEEP THESE INSTRUCTIONS.

NF80(U,D,L)S

PRODUCT SPECIFICATIONS

INSTALLATION FEATURES

- Left or right utility connections
- Removable floor base (upflow / horizontal units) for bottom return air
- Zero step horizontal conversion

CONFIGURATIONS

- Upflow / Horizontal
- Downflow

HEAT EXCHANGER DESIGN

- Aluminized steel crimped non-welded clam shell heat exchanger design

BURNERS

- Aluminized steel inshot burners for smooth ignition

CABINET DESIGN

- Compact 33" height
- Standardized widths for easy coil fit

AIR DELIVERY SYSTEM

- Multi-speed high efficiency (constant torque) blower motor
- Easily removable slide out blower design
- Enhanced cooling SEER ratings when applied with properly matched cooling equipment

CONTROLS

- Single stage gas valve
- Durable silicon nitride ignitor
- Self diagnostics saving last 10 fault codes regardless of power interruption
- Control features electronic air cleaner and humidifier terminals

VENTING

- Rotatable draft inducer for venting flexibility

WARRANTY

See warranty document for details.

NOTE: Not for sale in Canada

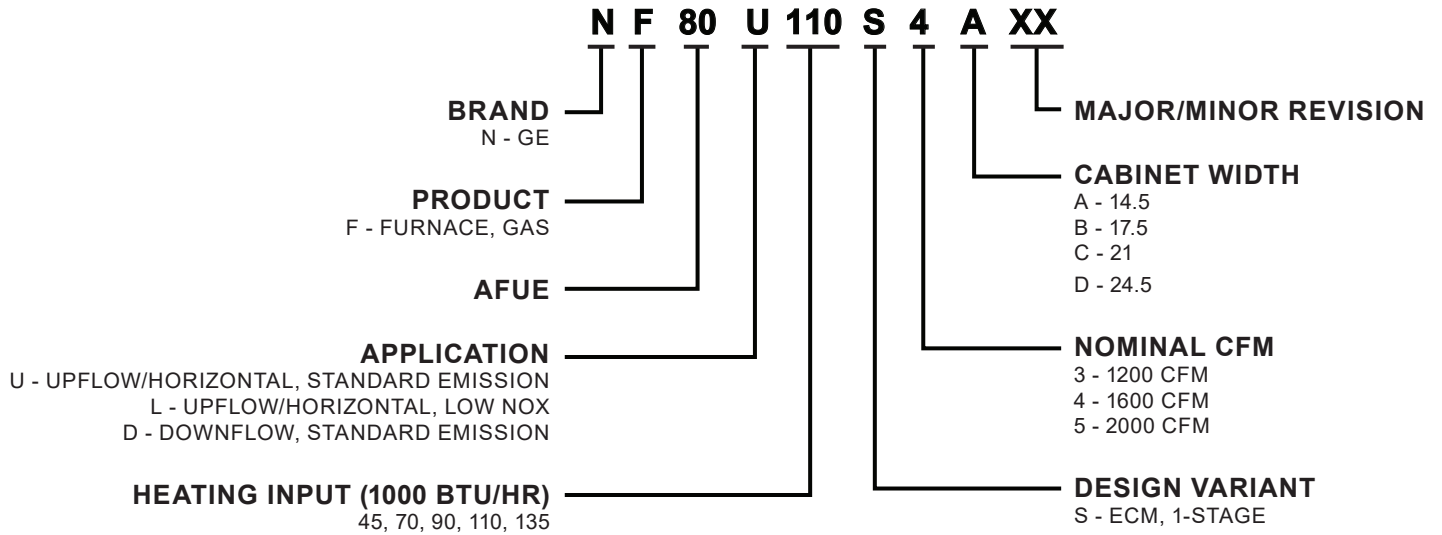
California Only

These furnaces do not meet the South Coast Air Quality Management District (SCAQMD) Rule 1111 and San Joaquin Valley Air Pollution Control District (SJVAPCD) Rule 4905 NOx emission limit (14 NG/J) and cannot be installed within the SCAQMD and SJVAPCD areas.

All "L" models meet the California Nitrogen Oxides Standard NOx limit of 40 Ng/J.



MODEL NUMBER GUIDE



PHYSICAL AND ELECTRICAL DATA

	Model	Input (Btuh)	Output (Btuh)	AFUE (ICS)	Nom. Cooling Capacity	Gas Inlet (in.)	Volts/ Hz/ Phase	Max. Time Delay Breaker or Fuse	Nominal F.L.A.	Trans. (V.A.)	Approx. Shipping Weight (lbs.)
UPFLOW / HORIZONTAL	NF80U045S3A NF80L045S3A	44,000	36,000	80.00%	1.5 — 3	1/2	120-60-1	15	6.8	40	111
	NF80U070S3A NF80L070S3A	66,000	53,000	80.00%	1.5 — 3	1/2	120-60-1	15	6.8	40	111
	NF80U070S3B NF80L070S3B	66,000	53,000	80.00%	1.5 — 3	1/2	120-60-1	15	6.8	40	127
	NF80U090S4B NF80L090S4B	88,000	72,000	80.00%	2.5 — 4	1/2	120-60-1	15	8.4	40	142
	NF80U090S5C	88,000	72,000	80.00%	3 — 5	1/2	120-60-1	15	10.9	40	152
	NF80U110S5C NF80L110S5C	110,000	90,000	80.00%	4 — 5	1/2	120-60-1	15	10.9	40	160
	NF80U135S5D	132,000	107,000	80.00%	4 — 5	1/2	120-60-1	15	10.9	40	178
DOWNFLOW	NF80D045S3A	44,000	36,000	80.00%	2 — 3	1/2	120-60-1	15	6.8	40	113
	NF80D070S3A	66,000	54,000	80.00%	2 — 3	1/2	120-60-1	15	6.8	40	119
	NF80D070S3B	66,000	54,000	80.00%	2 — 3	1/2	120-60-1	15	6.8	40	128
	NF80D090S4B	88,000	72,000	80.00%	3 — 4	1/2	120-60-1	15	8.4	40	140
	NF80D110S5C	110,000	90,000	80.00%	4 — 5	1/2	120-60-1	15	10.9	40	160

Note: For vent sizing and clearances to combustibles, please reference installation instructions.

BLOWER PERFORMANCE DATA - UPFLOW / HORIZONTAL

	Model	Motor Size (hp)	Blower Size	Temp Rise (°F)	Blower Speed	CFM @ External Static Pressure - " w.c.						
						0.20	0.30	0.40	0.50	0.60	0.70	0.80
UPFLOW / HORIZONTAL	NF80U045S3A NF80L045S3A	1/2	10 x 8	15 - 45	High	1320	1290	1265	1230	1190	1165	1130
					Med/High	1080	1055	1010	990	945	915	880
					Med	900	875	825	790	750	705	670
					Med/Low	805	750	710	660	630	570	535
					Low	700	640	595	535	500	435	380
	NF80U070S3A NF80L070S3A	1/2	10 x 10	40 - 70	High	1400	1365	1335	1310	1285	1250	1220
					Med/High	1170	1145	1105	1075	1040	1010	975
					Med	1090	1055	1015	980	950	905	860
					Med/Low	1050	1025	985	945	905	870	830
					Low	880	845	795	760	705	665	625
	NF80U070S3B NF80L070S3B	1/2	10 x 10	40 - 70	High	1355	1330	1290	1245	1225	1190	1160
					Med/High	1225	1190	1155	1115	1045	1000	925
					Med	1110	1060	1015	980	920	855	790
					Med/Low	1080	1035	970	930	865	790	735
					Low	885	825	770	695	625	540	445
	NF80U090S4B NF80L090S4B	3/4	10 x 10	35 - 65	High	1730	1690	1645	1615	1590	1545	N/A
					Med/High	1505	1460	1435	1395	1350	1300	1270
					Med	1380	1345	1310	1265	1210	1175	1140
					Med/Low	1310	1275	1240	1180	1150	1095	1040
					Low	1110	1065	1010	955	915	860	820
NF80U090S5C	1	11-1/2 x 10	30 - 60	High	2150	2125	2090	2060	2020	1980	1935	
				Med/High	1865	1835	1800	1760	1725	1680	1635	
				Med	1655	1635	1585	1545	1515	1465	1420	
				Med/Low	1490	1450	1405	1370	1320	1265	1225	
				Low	1340	1285	1235	1200	1145	1105	1055	
NF80U110S5C NF80L110S5C	1	11-1/2 x 10	35 - 65	High	2135	2090	2050	2025	2010	1965	1905	
				Med/High	1865	1830	1785	1740	1710	1670	1635	
				Med	1630	1595	1550	1500	1470	1420	1380	
				Med/Low	1470	1440	1385	1340	1305	1255	1215	
				Low	1280	1235	1175	1130	1080	1015	975	
NF80U135S5D	1	11 x 11	30 - 60	High	2390	2360	2285	2240	2225	2160	2105	
				Med/High	2175	2140	2125	2060	2015	1955	1925	
				Med	1935	1895	1850	1815	1785	1755	1715	
				Med/Low	1735	1720	1660	1610	1535	1500	1435	
				Low	1550	1485	1455	1415	1330	1265	1215	

Note: See installation instructions for Return Air configurations and proper Blower setup.

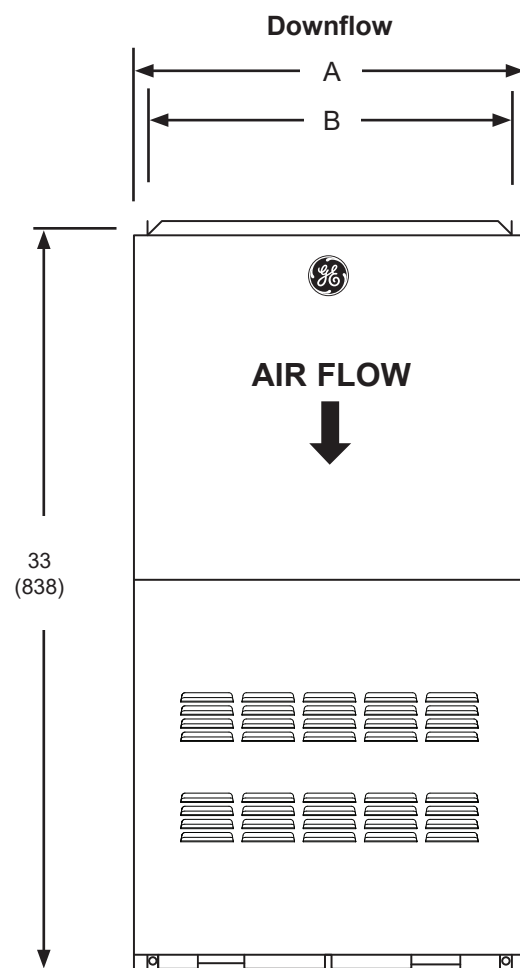
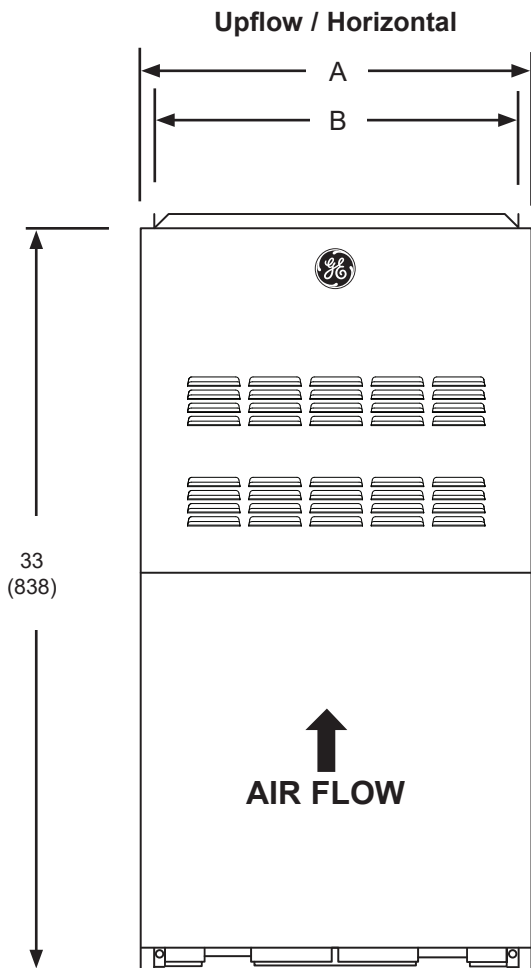
BLOWER PERFORMANCE DATA - DOWNFLOW

	Model	Motor Size (hp)	Blower Size	Temp Rise (°F)	Blower Speed	CFM @ External Static Pressure - " w.c.						
						0.20	0.30	0.40	0.50	0.60	0.70	0.80
DOWNFLOW	NF80D045S3A	1/2	10 x 8	15 - 45	High	1375	1335	1320	1275	1245	1215	1175
					Med/High	1145	1120	1075	1045	1000	970	925
					Med	950	915	870	835	785	745	695
					Med/Low	840	790	745	715	655	605	555
					Low	725	665	625	565	520	455	400
	NF80D070S3A	1/2	10 x 10	30 - 60	High	1420	1400	1375	1340	1285	1210	1140
					Med/High	1195	1180	1150	1120	1075	1065	1020
					Med	1115	1070	1045	1010	985	955	920
					Med/Low	1090	1055	1025	990	955	915	890
					Low	920	900	845	820	770	730	675
	NF80D070S3B	1/2	10 x 10	30 - 60	High	1400	1360	1310	1280	1250	1220	1165
					Med/High	1230	1205	1155	1110	1060	1000	935
					Med	1125	1085	1050	985	935	865	795
					Med/Low	1110	1055	1000	950	865	815	750
					Low	900	845	790	705	645	590	480
	NF80D090S4B	3/4	10 x 10	30 - 60	High	1695	1660	1615	1570	1545	N/A	N/A
					Med/High	1470	1425	1395	1360	1295	1265	1215
					Med	1340	1290	1250	1210	1165	1120	1080
					Med/Low	1280	1225	1185	1145	1085	1040	1000
					Low	1105	1040	1005	945	865	810	755
NF80D110S5C	1	11-1/2 x 10	30 - 60	High	2325	2280	2235	2165	2125	2090	2035	
				Med/High	2010	1940	1895	1845	1800	1755	1700	
				Med	1760	1705	1635	1595	1545	1510	1460	
				Med/Low	1570	1500	1440	1380	1320	1285	1255	
				Low	1375	1320	1265	1200	1170	1100	1030	

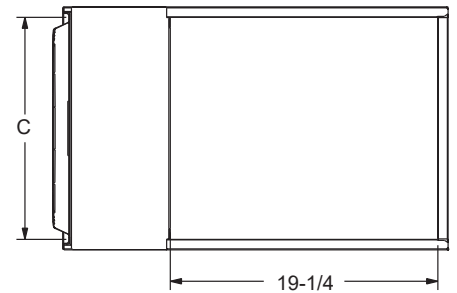
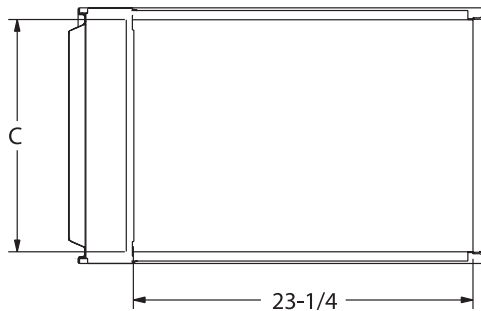
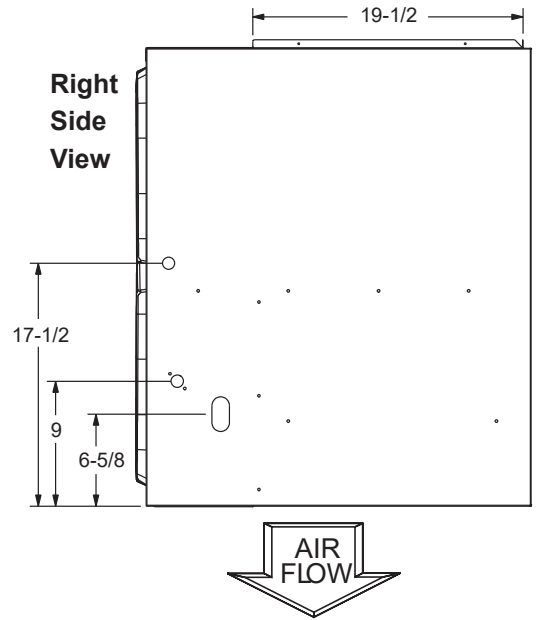
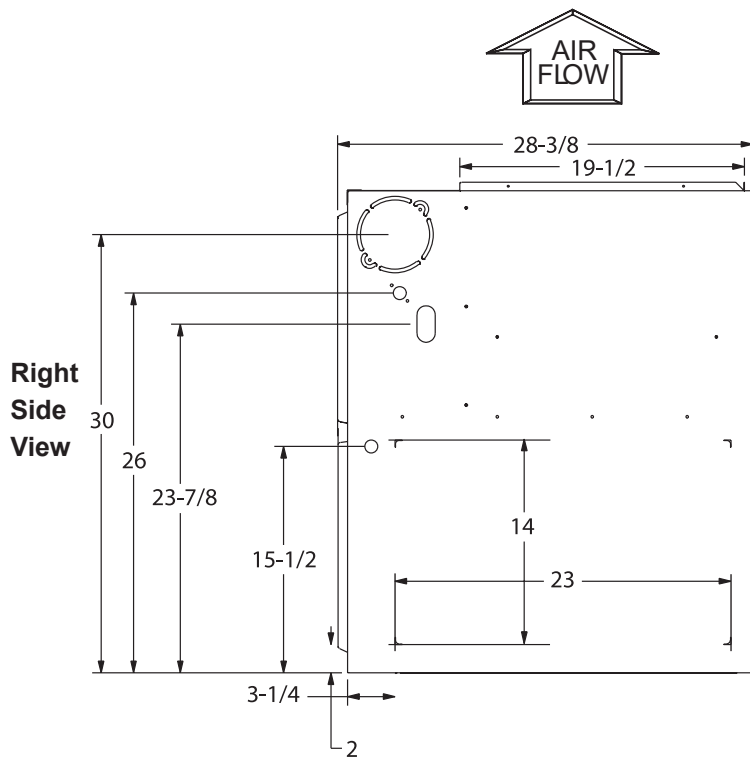
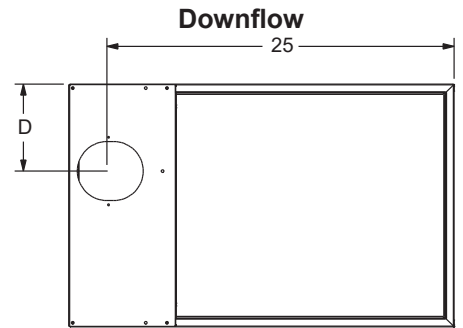
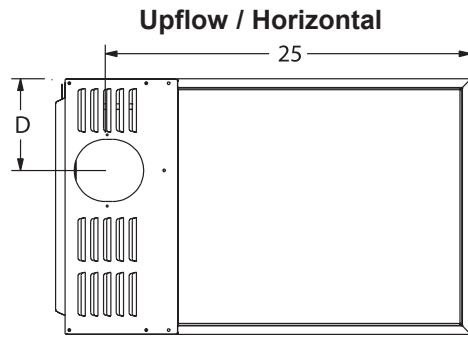
DIMENSIONS (IN.)

	Model	A	B	C	D
UPFLOW / HORIZONTAL	NF80U045S3A / NF80L045S3A	14-1/2	13-3/8	13	4-3/4
	NF80U070S3A / NF80L070S3A	14-1/2	13-3/8	13	4-3/4
	NF80U070S3B / NF80L070S3B	17-1/2	16-3/8	16	6-1/4
	NF80U090S4B / NF80L090S4B	17-1/2	16-3/8	16	6-1/4
	NF80U090S5C	21	19-7/8	19-1/2	8
	NF80U110S5C / NF80L110S5C	21	19-7/8	19-1/2	8
DOWNFLOW	NF80D045S3A	14-1/2	13-3/8	13	4-3/4
	NF80D070S3A	14-1/2	13-3/8	13	4-3/4
	NF80D070S3B	17-1/2	16-3/8	16	6-1/4
	NF80D090S4B	17-1/2	16-3/8	16	6-1/4
	NF80D110S5C	21	19-7/8	19-1/2	8

Front View



Top View



ACCESSORY LIST

CATALOG NUMBER		DESCRIPTION
Return Air Base		
	68W61	14.5", A Width
	68W62	17.5", B Width
	68W63	21.0", C Width
	68W64	24.5", D Width
Downflow Combustible Flooring Base		
	11M59	14.5", A Width
	11M60	17.5", B Width
	11M61	21.0", C Width
Twinning kit		
	16W72	Constant Torque Gas Furnace Twinning Kit

Note: For vent sizing and clearances to combustibles, please reference installation instructions.

ACCESSORY LIST

		Natural Gas High Altitude Conversion Kit			Pressure Switch			LP High Alt. Conversion Kit				
MODEL NUMBER	Description	0 - 4500	4500- 7500	7500- 10,000	0 - 4500	4500 - 7500	7500- 10,000	0 - 4500	4500- 7500	7500- 10,000		
NF80U045S3A	80% Upflow 1-Stage ECM	Not Required	51W01	Not Required		80W52	80W51	11K50		11K45		
NF80U070S3A												
NF80U070S3B												
NF80U090S4B												
NF80U090S5C												
NF80U110S5C						80W57	80W52					
NF80U135S5D						80W52	80W51					
NF80D045S3A	80% Downflow 1-Stage ECM	Not Required	51W01	Not Required		Not Required	74W89	11K50		11K45		
NF80D070S3A												
NF80D070S3B												
NF80D090S4B												
NF80D110S5C						74W60						
NF80L045S3A	80% Upflow 1-Stage Low NOx ECM	Not Required	51W01	Not Required		80W52	80W51	11K50		11K45		
NF80L070S3A												
NF80L070S3B												
NF80L090S4B						80W57	80W52					
NF80L110S5C						80W52	80W51					



GE APPLIANCES
a Haier company