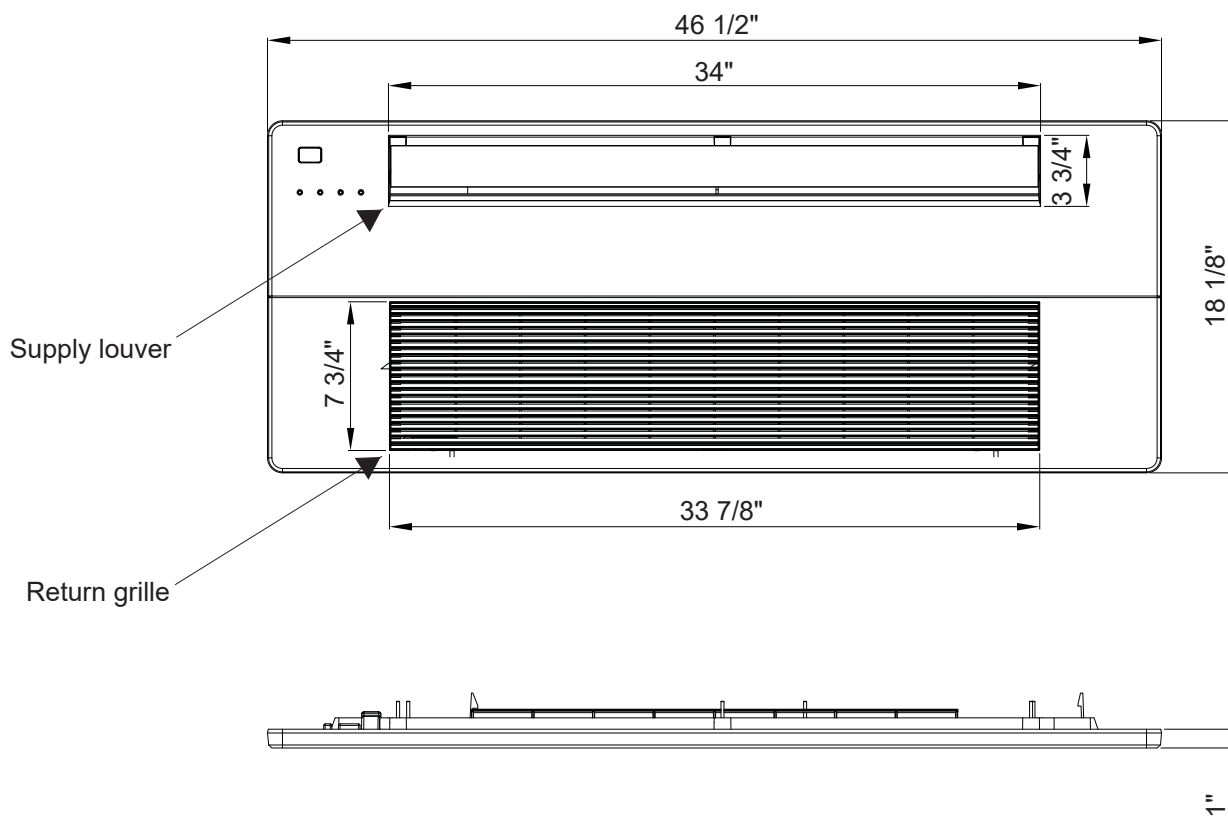
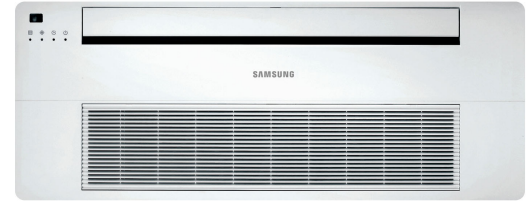


Job Name _____
Purchaser _____
Submitted to _____
Unit Designation _____

Location _____
Engineer _____
Reference _____ Approval _____ Construction _____
Schedule # _____

Specifications

- Fascia panel for Samsung DVM S Series 1-way cassette indoor units (AM0***N1DCH/AA)
- HIPS chassis certified to UL94 V0
- Single, motorized, auto swing louver
- Built-in IR receiver for optional wireless control
- Four LED lights to display power status, filter reminder, error status, defrost notification, and timer functions (where applicable)
- The panel shall include 2 X electrostatic, washable, pleated filters and all necessary mounting hardware as standard
- Louver and panel display are powered and controlled by the indoor unit PCB
- Dimensions (L X W X H): 46 1/2" X 18 1/8" X 1"
- Weight: 7 lbs.



Samsung HVAC maintains a policy of ongoing development, specifications are subject to change without notice.

www.SamsungHVAC.com

888-699-6067