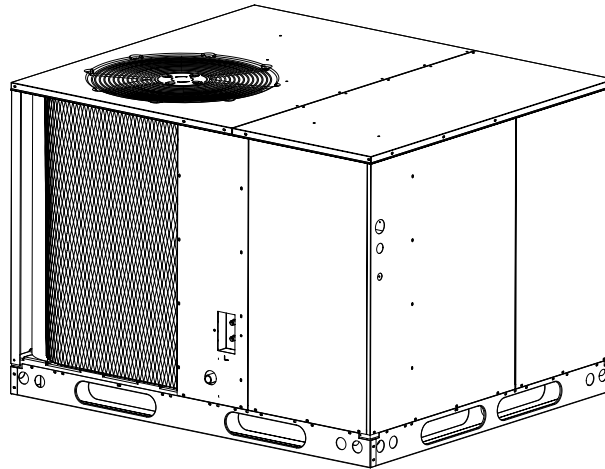


## **Q6SD Series**

### **13 SEER, Three Phase, Packaged Heat Pump with R-410A 3 - 5 Ton Units**

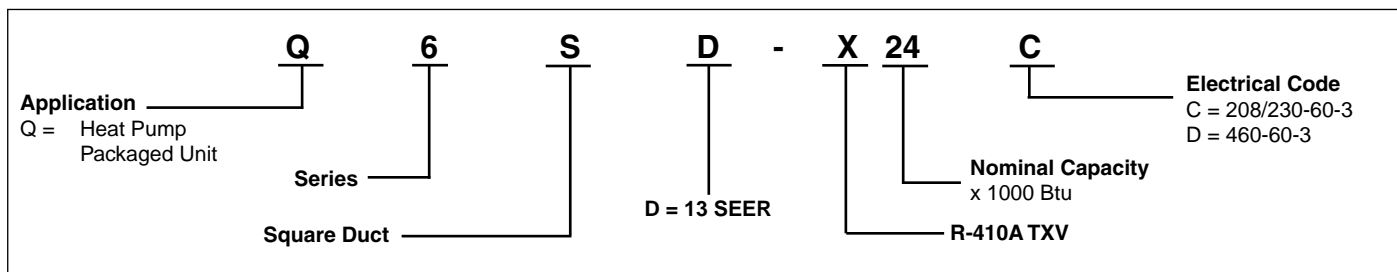
The Q6SD Series packaged units are high efficiency self contained cooling and heating units that can be installed on a roof or on a slab. The convertible unit design makes installations simple in all applications. Units are ETL and ETLc listed. The unit is truly designed with the contractor and the end user in mind.



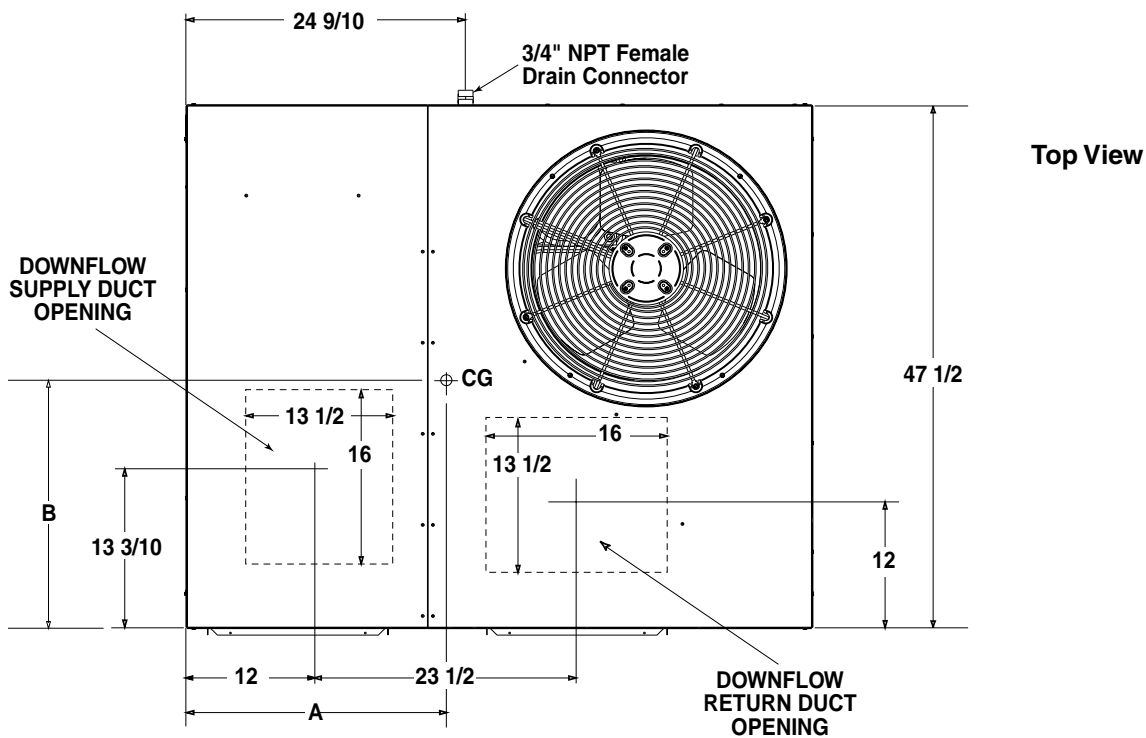
#### **FEATURES AND BENEFITS**

- **Compact Footprint**  
Easy to handle and transport.
- **Heavy-Gauge, Full Perimeter Base Rails**  
Facilitates forklift handling and curb mounting.
- **Convertible Air Delivery**  
Horizontal or downflow to accommodate rooftop or horizontal application.
- **Galvanized Steel Cabinet**  
with polyurethane finish provides 950 hour salt spray protection.
- **Plastic Mesh Hail Guard**  
Will never rust and protect the coil from being damaged by balls, lawnmowers, hail etc.
- **Five Minute Restart Time Delay**  
When the unit shuts down, a five minute delay keeps the unit from restarting, eliminating the highest cause for compressor failure.
- **R-410A Refrigerant**  
Earth friendly non-ozone depleting refrigerant.
- **Liquid Line Filter/Drier**  
Insures clean refrigeration system.
- **Suction Accumulator**  
Protection from liquid flood back and future compressor failures.
- **Easy Compressor and Control Access**  
Designed to make servicing easier for the contractor, access panels are provided to all controls and the compressor from the side of the unit.
- **Time/Temperature Defrost**  
A reliable, industry standard control offers various time settings to meet any type climate.
- **Externally Accessible Service Ports**  
Quick access to refrigerant system without disrupting operation.
- **TXV**  
Externally equalized. Provides precise refrigerant control under varying load conditions.
- **Access to Controls and Major Components**  
Easy in and out service.
- **Corrosion-Resistant Drain Pan**  
Quickly drains away evaporator condensate.
- **Factory Installed Filter Rack**  
1" or 2" capable.
- **High Pressure Switch**  
Protects against abnormally high system pressures.
- **Easy to Install**  
Electric heat strip provides 9 or 15 KW of heat output.
- **Proven, Industry Standard Components**  
Easier service and availability.
- **Quiet Operation**  
Low vibration.  
20" fan blade combined with custom venturi condenser fan.
- **Accessories**  
Roof curbs, economizers, fresh air dampers and more.
- **One Year Commercial Parts Warranty**
- **5 Year Limited Compressor Warranty**

# MODEL IDENTIFICATION CODE



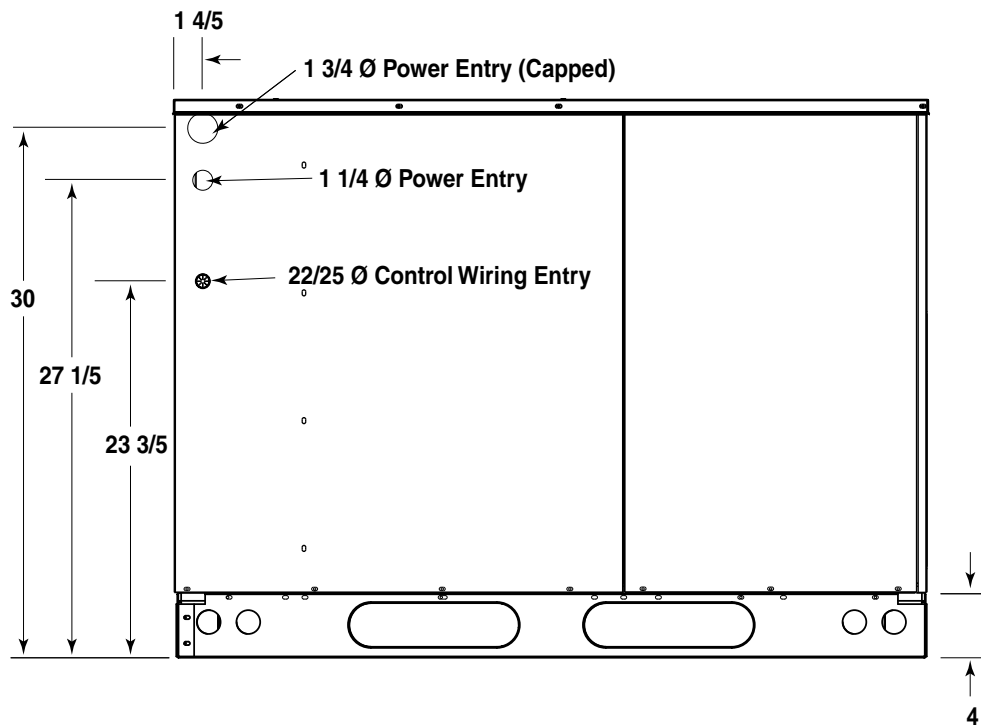
# DIMENSIONS



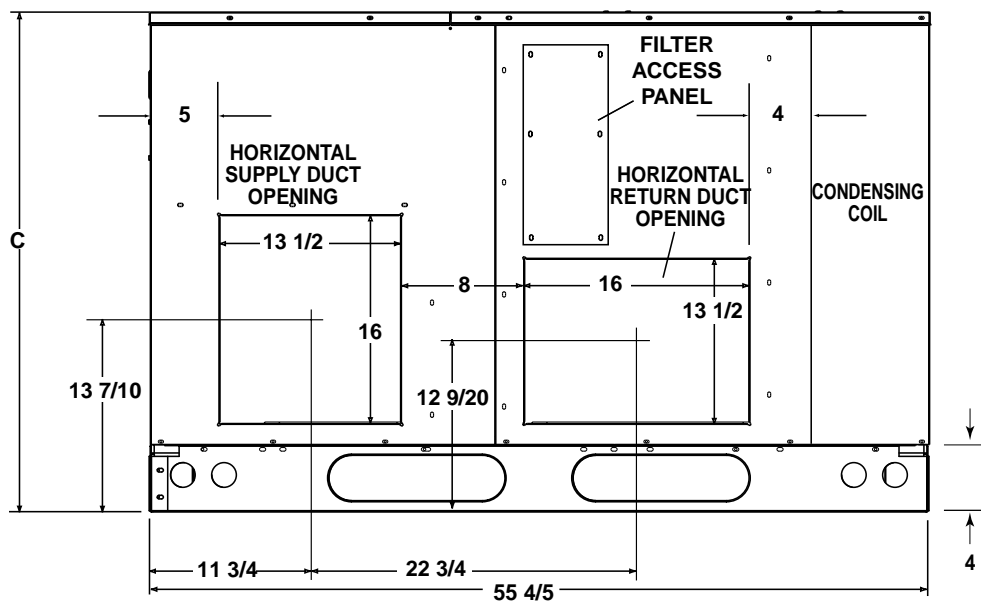
## Q6SD Models

Model Number Q6SD-	Unit Weight	Center of Gravity		Height (in inches) C	
		A	B	C	
				w/ base rails	w/out base rails
X36	450	28.0	26.0	39	35.3
X48	560	29.5	26.5	43	39.3
X60	570	29.5	26.5	43	39.3

# DIMENSIONS (Continued)



Side View



Back (Duct) View

# SPECIFICATIONS

## Q6SD Models 208/230v Three Phase

Model Number	Q6SD-		
	X36C	X48C	X60C
<b>Performance</b>			
Capacity - Heating BTUH	33,400	46,000	59,000
Efficiency - HSPF	7.7	7.7	7.7
Capacity -Cooling BTUH	35,000	46,000	58,000
Efficiency - SEER	13.50	13.30	13.00
EER (Btuh/watt)	11.80	11.20	11.00
<b>Electrical Rating - 60 Hz</b>			
Phase	3	3	3
Operating Voltage Range	187 - 253	187 - 253	187 - 253
<b>Compressor Data</b>			
Volts	208 / 230	208 / 230	208 / 230
Rated Load Amps	11.6	15.3	17.4
Lock Rotor Amps	73	83	110
<b>Indoor Blower</b>			
Type	Fixed Torque	Fixed Torque	Fixed Torque
Motor - HP	1/2	3/4	3/4
Motor - Amps	4.1	6.0	6.0
<b>Outdoor Fan</b>			
Motor - HP / RPM	1/4 - 1100	1/4 - 1100	1/3 - 1100
Motor - Amps	1.2	1.2	1.5
Fan Diameter / CFM	20/3800	20/3800	20/4000
<b>R-410A Charge - Oz.</b>	110	224	224
<b>Net Weight lbs.</b>	420	510	540
<b>Shipping Weight lbs.</b>	430	520	550
<b>Filters (Field Installed)</b>			
Style	Disposable	Disposable	
Size (qty)	16 x 25 x 1 (2)	18 x 25 x 1 (2)	
Field convertible to two inches			

## SPECIFICATIONS (CONT.)

### Q6SD Models 460v Three Phase

Model Number	Q6SD-		
	X36D	X48D	X60D
<b>Performance</b>			
Capacity - Heating BTUH	33,400	46,000	59,000
Efficiency - HSPF	7.7	7.7	7.7
Capacity -Cooling BTUH	35,000	46,000	58,000
Efficiency - SEER	13.50	13.30	13.00
EER (Btuh/watt)	11.80	11.20	11.00
<b>Electrical Rating - 60 Hz</b>			
Phase	3	3	3
Operating Voltage Range	414 - 506	414 - 506	414 - 506
<b>Compressor Data</b>			
Volts	460	460	460
Rated Load Amps	6.4	6.9	8.6
Lock Rotor Amps	38	41	52
<b>Indoor Blower</b>			
Type	Fixed Torque	Fixed Torque	Fixed Torque
Motor - HP	1/2	3/4	3/4
Motor - Amps	2.1	3.2	3.2
<b>Outdoor Fan</b>			
Motor - HP / RPM	1/4 - 1100	1/4 - 1100	1/3 - 1100
Motor - Amps	0.6	0.6	0.8
Fan Diameter / CFM	20/3800	20/3800	20/4000
<b>R-410A Charge - Oz.</b>	110	224	224
<b>Net Weight lbs.</b>	420	510	540
<b>Shipping Weight lbs.</b>	430	520	550
<b>Filters (Field Installed)</b>			
Style	Disposable	Disposable	
Size (qty)	16 x 25 x 1 (2)	18 x 25 x 1 (2)	
	Field convertible to two inches		

# BLOWER PERFORMANCE

## Q6SD Models

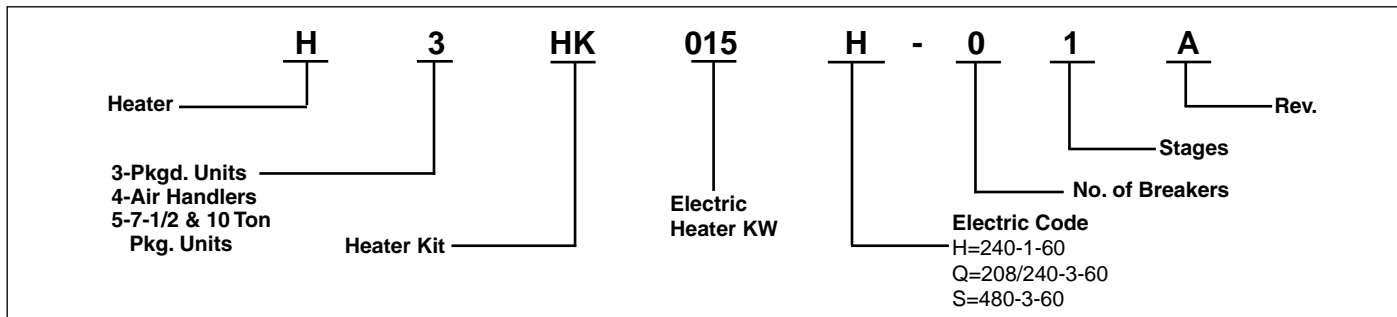
Model number Q6SD	External Static Pressure Drop - inches water column						
	0.1	0.2	0.3	0.4	0.5	0.6	
X36	** Tap T1	1150	1050	1000	950	850	780
	Tap T2	1230	1190	1120	1080	1000	950
	* Tap T3	1464	1394	1332	1272	1216	1143
	Tap T4	1600	1500	1400	1300	1200	1050
	Tap T5	1700	1650	1600	1565	1530	1480
X48	* Tap T1	1515	1450	1380	1350	1300	1250
	** Tap T2	1580	1520	1460	1400	1360	1300
	Tap T3	1740	1690	1650	1600	1540	1500
	Tap T4	1960	1910	1840	1820	1780	1740
	Tap T5	2090	2050	2010	1975	1940	1900
X60	** Tap T1	1515	1450	1380	1350	1300	1250
	Tap T2	1580	1520	1460	1400	1360	1300
	* Tap T3	1740	1690	1650	1600	1540	1500
	Tap T4	1960	1910	1840	1820	1780	1740
	Tap T5	2090	2050	2010	1975	1940	1900

\* Denotes factory set cooling speed

\*\* Denotes factory set electric heating speed

NOTE: Airflow performance is with a dry coil

## MODEL IDENTIFICATION CODE



## ACCESSORIES

913740 Circuit Breaker, Three Phase (3-Pole)

## HEATER APPLICATION MATRIX

Model No. Q6SD-	240 Volt		460 Volt	
	H3HK-009Q-01B 903854B	H3HK-015Q-01B 903855B	H3HK-009S-01A 903850B	H3HK-015-01A 903851B
X36C	x	x(2)	x	x
X48C	x	x(2)	x	x
X60C	x	x(2)	x	x

( ) = Number of internal circuit breaker kits required.

# HEAT PUMP ELECTRICAL DATA

## 208-230v Three Phase

Model Number Q6SD	Heater Installed Nom. KW	Single Supply Circuit Option						Multiple Supply Circuit Option								
		Circuit A (Compressor & Fan)			Circuit B (Blower & Heater)			Circuit A (Compressor & Fan)			Circuit B (Blower & Heater)					
		Minimum Circuit Amp.	Rec, Wire Gage (60°C Cu)	Rec, Wire Gage (75°C Cu)	Rec, Wire Gage (90°C Cu)	Maximum Over-current Rating *	Minimum Circuit Amp.	Rec, Wire Gage (60°C Cu)	Rec, Wire Gage (75°C Cu)	Rec, Wire Gage (90°C Cu)	Maximum Over-current Rating *	Minimum Circuit Amp.	Rec, Wire Gage (60°C Cu)	Rec, Wire Gage (75°C Cu)	Rec, Wire Gage (90°C Cu)	Maximum Over-current Rating *
X36C	0	19.8	12	12	12	30	-	-	-	-	-	-	-	-	-	-
	9	46.9	6	8	8	50	15.7	12	12	12	25	31.2	8	8	8	35
	15	65.0	4	6	6	70	15.7	12	12	12	25	49.3	6	8	8	50
X48C	0	26.3	10	10	10	40	-	-	-	-	-	-	-	-	-	-
	9	53.4	6	6	8	60	20.3	10	10	10	35	33.1	8	8	8	35
	15	71.5	3	4	6	80	20.3	10	10	10	35	51.2	6	6	8	60
X60C	0	29.3	10	10	10	45	-	-	-	-	-	-	-	-	-	-
	9	56.3	4	6	6	60	23.3	10	10	10	40	31.1	8	8	8	35
	15	74.4	3	4	6	80	23.3	10	10	10	40	51.2	6	6	8	60

\*When overcurrent rating exceeds 60, internal circuit breakers must be installed in addition to branch circuit protection at distribution panel.

## 460v Three Phase

Model Number Q6SD	Heater Installed Nom. KW	Single Supply Circuit Option						Multiple Supply Circuit Option								
		Circuit A (Compressor & Fan)			Circuit B (Blower & Heater)			Circuit A (Compressor & Fan)			Circuit B (Blower & Heater)					
		Minimum Circuit Amp.	Rec, Wire Gage (60°C Cu)	Rec, Wire Gage (75°C Cu)	Rec, Wire Gage (90°C Cu)	Maximum Over-current Rating *	Minimum Circuit Amp.	Rec, Wire Gage (60°C Cu)	Rec, Wire Gage (75°C Cu)	Rec, Wire Gage (90°C Cu)	Maximum Over-current Rating *	Minimum Circuit Amp.	Rec, Wire Gage (60°C Cu)	Rec, Wire Gage (75°C Cu)	Rec, Wire Gage (90°C Cu)	Maximum Over-current Rating *
X36D	0	10.7	14	14	14	15	-	-	-	-	-	-	-	-	-	-
	9	24.8	10	10	10	25	8.6	14	14	14	15	16.2	12	12	12	20
	15	34.2	8	8	8	35	8.6	14	14	14	15	25.6	10	10	10	30
X48D	0	12.4	14	14	14	15	-	-	-	-	-	-	-	-	-	-
	9	26.5	10	10	10	30	9.2	14	14	14	15	17.3	12	12	12	20
	15	36	8	8	8	40	9.2	14	14	14	15	26.7	10	10	10	30
X60D	0	14.8	14	14	14	20	-	-	-	-	-	-	-	-	-	-
	9	28.9	10	10	10	30	11.6	14	14	14	20	17.3	12	12	12	20
	15	38.3	8	8	8	40	11.6	14	14	14	20	26.7	10	10	10	30

## Q6SD ACCESSORIES

Description	Part Number
Roof Curb (8")	547830
Roof Curb (14")	547831
Roof Curb (18")	547850
Roof Curb (24")	547851
Supply/return transition, 16"	547834
Supply/return transition, 18"	547835
Concentric diffuser, flush, 16"	547836
Concentric diffuser, flush, 18"	547837
Concentric diffuser, step down 16"	547838
Concentric diffuser, step down 18"	547839
Manual Fresh Air Damper	547832
Motorized Fresh Air Damper	547840
Economizer, downflow w/filter modulating	547833
Economizer, horizontal modulating	547841
Power Exhaust for use with downflow economizer (208/230 3 Phase) Special Order	555578
Power Exhaust for use with horizontal economizer (208/230 3 Phase) Special Order	555580
Power Exhaust for use with downflow economizer (460V 3 Phase) Special Order	555579
Power Exhaust for use with horizontal economizer (460V 3 Phase) Special Order	555581
HOOD TYPE HAIL GUARD 34" X 76" (3 Ton)	547846
HOOD TYPE HAIL GUARD 38" X 76" (4 & 5 Ton)	547847
Differential enthalpy sensor kit	920233
Control, CO2 sensor, wall mount	547848
DUCT SMOKE DETECTOR PHOTO ELEC	547892
MULTI SIGNAL CONTROL	547893
SAMPLING TUBE ST3	547894
SAMPLING TUBE ST5	547895
Low Pressure Switch Kit	913551
Low Ambient Kit	918837
Freezestat	917108
Duct Adapter, 14" Round (2 each)	913812A
Outdoor Thermostat Kit	913852
Extreme wind mounting kit (roof curb mount)	903696



# Q6SD EXPANDED RATINGS - COOLING

**Q6SD-X36**

O.D.T			65°F			75°F			85°F			95°F			105°F			115°F		
CFM	E.D.B.	E.W.B.	T.C.	S.C.	K.W.	T.C.	S.C.	K.W.	T.C.	S.C.	K.W.	T.C.	S.C.	K.W.	T.C.	S.C.	K.W.	T.C.	S.C.	K.W.
1200	80	62	37.1	31.4	2.16	35.7	31.2	2.38	34.3	31.3	2.63	32.8	30.7	2.91	31.4	30.9	3.23	29.8	29.3	3.60
	80	67	39.7	25.4	2.18	38.1	25.2	2.41	36.5	25.5	2.66	34.9	25.1	2.93	33.1	24.7	3.25	31.2	23.9	3.62
	80	72	42.7	19.1	2.21	41.0	19.0	2.44	39.2	19.4	2.69	37.4	19.0	2.97	35.5	18.7	3.28	33.4	19.1	3.64
	75	63	37.0	24.6	2.16	35.6	24.4	2.38	34.1	24.6	2.63	32.5	24.1	2.91	30.8	22.3	3.23	29.0	23.9	3.59
1350	80	62	38.0	33.5	2.17	36.6	34.0	2.39	35.3	32.9	2.64	33.9	32.0	2.92	32.4	31.3	3.24	30.7	30.5	3.61
	80	67	40.4	27.0	2.19	38.8	27.8	2.41	37.2	27.1	2.66	35.5	26.9	2.94	33.6	26.9	3.26	31.7	26.9	3.62
	80	72	43.4	20.1	2.22	41.7	20.9	2.45	39.9	20.3	2.70	38.1	20.2	2.97	36.1	20.3	3.29	33.9	20.4	3.65
	75	63	37.7	26.1	2.17	36.3	26.7	2.39	34.7	26.1	2.64	33.1	25.8	2.91	31.3	25.7	3.23	29.5	25.6	3.60
1500	80	62	39.0	35.5	2.18	37.7	35.2	2.40	36.3	33.9	2.65	34.8	33.0	2.93	33.2	32.1	3.25	31.5	31.4	3.62
	80	67	41.0	29.1	2.20	39.4	29.4	2.42	37.8	28.7	2.67	36.0	28.6	2.95	34.1	28.5	3.27	32.2	28.5	3.63
	80	72	44.0	21.5	2.24	42.2	21.9	2.45	40.4	21.3	2.70	38.5	21.3	2.98	36.5	21.2	3.30	34.3	21.4	3.66
	75	63	38.4	28.0	2.17	36.8	28.2	2.39	35.2	27.5	2.64	33.6	27.4	2.92	31.8	27.2	3.24	29.9	27.1	3.60

**Q6SD-X48**

O.D.T			65°F			75°F			85°F			95°F			105°F			115°F		
CFM	E.D.B.	E.W.B.	T.C.	S.C.	K.W.	T.C.	S.C.	K.W.	T.C.	S.C.	K.W.	T.C.	S.C.	K.W.	T.C.	S.C.	K.W.	T.C.	S.C.	K.W.
1350	80	62	49.1	39.0	2.98	47.1	38.7	3.35	45.0	38.9	3.71	43.0	38.2	4.11	40.9	40.0	4.54	38.7	37.9	5.02
	80	67	53.1	31.7	2.99	50.8	31.4	3.38	48.6	31.9	3.75	46.2	31.3	4.15	43.9	30.9	4.59	41.5	29.3	5.07
	80	72	58.1	24.4	2.98	55.4	24.2	3.39	52.8	24.6	3.79	50.3	24.1	4.20	47.7	23.8	4.64	45.0	24.5	5.13
	75	63	49.4	30.8	2.99	47.4	30.7	3.35	45.2	30.9	3.72	43.1	30.3	4.11	40.9	28.1	4.54	38.6	30.2	5.02
1500	80	62	50.2	41.5	3.04	48.0	42.2	3.42	46.0	41.2	3.78	43.8	40.7	4.18	41.8	40.3	4.62	39.8	39.5	5.10
	80	67	54.0	33.7	3.05	51.6	34.5	3.43	49.3	33.7	3.81	46.9	33.3	4.22	44.5	33.4	4.66	42.0	33.5	5.14
	80	72	58.8	25.5	3.04	56.1	26.5	3.45	53.5	25.7	3.86	50.8	25.5	4.27	48.1	25.7	4.71	45.4	25.9	5.20
	75	63	50.3	32.6	3.04	48.1	33.4	3.42	45.9	32.5	3.78	43.7	32.1	4.18	41.4	32.1	4.61	39.1	32.1	5.09
1650	80	62	51.0	44.3	3.10	48.9	44.4	3.48	46.7	43.3	3.85	44.8	42.5	4.26	42.8	41.3	4.69	40.7	40.5	5.18
	80	67	54.8	35.9	3.10	52.3	36.3	3.50	49.8	35.4	3.88	47.4	35.3	4.29	44.9	35.1	4.73	42.4	35.3	5.21
	80	72	59.5	27.1	3.10	56.7	27.6	3.52	53.9	26.8	3.93	51.2	26.8	4.34	48.5	26.7	4.78	45.8	27.2	5.27
	75	63	51.0	34.7	3.10	48.7	35.0	3.48	46.5	34.1	3.85	44.2	33.9	4.25	41.8	33.6	4.68	39.4	33.8	5.15

**Q6SD-X60**

O.D.T			65°F			75°F			85°F			95°F			105°F			115°F		
CFM	E.D.B.	E.W.B.	T.C.	S.C.	K.W.	T.C.	S.C.	K.W.	T.C.	S.C.	K.W.	T.C.	S.C.	K.W.	T.C.	S.C.	K.W.	T.C.	S.C.	K.W.
1550	80	62	60.7	47.1	3.98	58.5	46.8	4.32	56.1	47.1	4.71	53.6	46.3	5.15	51.1	48.6	5.65	48.5	46.2	6.23
	80	67	65.5	38.6	4.05	63.0	38.4	4.39	60.4	38.8	4.79	57.7	38.1	5.23	54.9	37.7	5.74	52.0	35.7	6.31
	80	72	71.5	29.8	4.16	68.6	29.7	4.50	65.8	30.3	4.90	62.8	29.8	5.34	59.6	29.4	5.84	56.3	30.3	6.41
	75	63	61.1	37.6	3.98	58.8	37.3	4.32	56.3	37.6	4.72	53.8	36.9	5.15	51.2	34.4	5.66	48.5	36.8	6.23
1700	80	62	61.9	49.8	4.00	59.6	50.8	4.34	57.2	49.7	4.73	54.7	49.3	5.17	52.1	49.2	5.68	49.6	49.1	6.25
	80	67	66.7	40.6	4.07	64.1	41.7	4.41	61.4	40.7	4.81	58.7	40.4	5.26	55.8	40.5	5.75	52.8	40.7	6.33
	80	72	72.6	31.1	4.18	69.6	32.5	4.53	66.6	31.6	4.92	63.4	31.4	5.35	60.1	31.7	5.85	56.8	32.0	6.42
	75	63	62.3	39.4	4.00	59.9	40.4	4.34	57.3	39.4	4.73	54.8	39.0	5.17	52.1	39.0	5.67	49.3	39.0	6.25
1850	80	62	63.1	53.1	4.02	60.7	53.4	4.35	58.2	52.3	4.75	55.7	52.1	5.19	53.3	51.4	5.70	50.8	50.6	6.28
	80	67	67.8	43.1	4.09	65.1	43.7	4.43	62.3	42.6	4.83	59.5	42.6	5.28	56.6	42.4	5.77	53.5	42.8	6.34
	80	72	73.3	33.0	4.19	70.1	33.7	4.54	67.1	32.8	4.93	64.0	32.8	5.37	60.9	32.8	5.87	57.5	33.3	6.44
	75	63	63.3	41.8	4.02	60.8	42.2	4.36	58.2	41.2	4.75	55.6	41.0	5.19	52.8	40.8	5.69	49.9	41.0	6.26

# Q6SD HEATING EXPANDED RATINGS - HEATING

Q6SDX36

CFM	Indoor T. Deg.F	OUTDOOR TEMPERATURE (Deg. F)																							
		10			17			20			30			40			47			50			60		
		MBH	COP	KW	MBH	COP	KW	MBH	COP	KW	MBH	COP	KW	MBH	COP	KW	MBH	COP	KW	MBH	COP	KW	MBH	COP	KW
1200	60	14.5	1.99	2.14	18.3	2.42	2.21	19.9	2.60	2.24	25.3	3.16	2.35	30.7	3.68	2.45	34.5	4.01	2.52	36.1	4.15	2.55	41.5	4.58	2.66
	70	13.8	1.86	2.18	17.5	2.26	2.27	19.0	2.42	2.30	24.2	2.93	2.43	29.4	3.38	2.55	33.1	3.68	2.64	34.6	3.80	2.67	39.8	4.17	2.80
	80	13.3	1.73	2.25	16.7	2.10	2.34	18.2	2.25	2.38	23.2	2.70	2.52	28.2	3.11	2.65	31.6	3.38	2.75	33.1	3.49	2.79	38.1	3.82	2.92
1350	60	14.6	1.95	2.19	18.4	2.40	2.26	20.1	2.58	2.29	25.6	3.15	2.39	31.1	3.67	2.49	35.0	4.01	2.55	36.6	4.16	2.58	42.1	4.60	2.68
	70	14.0	1.84	2.24	17.7	2.24	2.32	19.3	2.40	2.36	24.6	2.91	2.47	29.8	3.38	2.59	33.5	3.68	2.67	35.1	3.80	2.71	40.4	4.19	2.82
	80	13.4	1.71	2.30	17.0	2.08	2.39	18.5	2.23	2.43	23.5	2.69	2.56	28.6	3.11	2.69	32.1	3.39	2.78	33.6	3.50	2.82	38.7	3.84	2.95
1500	60	14.7	1.93	2.24	18.6	2.37	2.31	20.3	2.55	2.33	25.9	3.13	2.43	31.5	3.66	2.52	35.4	4.01	2.59	37.1	4.15	2.62	42.6	4.61	2.71
	70	14.2	1.82	2.29	17.9	2.22	2.37	19.5	2.39	2.40	24.9	2.90	2.51	30.2	3.38	2.62	34.0	3.68	2.70	35.6	3.81	2.74	40.9	4.21	2.85
	80	13.6	1.70	2.35	17.2	2.07	2.44	18.7	2.21	2.48	23.8	2.68	2.60	28.9	3.11	2.73	32.5	3.38	2.82	34.0	3.49	2.86	39.1	3.84	2.98

Q6SD-X48

CFM	Indoor T. Deg.F	OUTDOOR TEMPERATURE (Deg. F)																							
		10			17			20			30			40			47			50			60		
		MBH	COP	KW	MBH	COP	KW	MBH	COP	KW	MBH	COP	KW	MBH	COP	KW	MBH	COP	KW	MBH	COP	KW	MBH	COP	KW
1350	60	19.31	2.12	2.67	24.61	2.55	2.83	26.89	2.72	2.89	34.46	3.24	3.12	42.03	3.70	3.34	47.34	3.98	3.49	49.61	4.09	3.56	57.18	4.44	3.78
	70	18.57	1.94	2.81	23.74	2.34	2.97	25.95	2.50	3.05	33.33	2.98	3.29	40.72	3.39	3.53	45.89	3.64	3.69	48.10	3.75	3.77	55.48	4.06	4.00
	80	18.02	1.79	2.96	23.04	2.15	3.14	25.19	2.30	3.22	32.35	2.73	3.48	39.52	3.10	3.74	44.53	3.33	3.92	46.68	3.43	3.99	53.85	3.71	4.25
1500	60	19.46	2.10	2.72	24.83	2.54	2.87	27.13	2.72	2.93	34.80	3.25	3.14	42.47	3.72	3.35	47.84	4.01	3.50	50.14	4.13	3.56	57.81	4.49	3.78
	70	18.78	1.93	2.85	24.00	2.34	3.01	26.24	2.50	3.08	33.69	2.99	3.31	41.14	3.41	3.54	46.36	3.67	3.70	48.60	3.78	3.77	56.05	4.11	4.00
	80	18.17	1.78	3.00	23.25	2.15	3.18	25.43	2.29	3.25	32.69	2.74	3.50	39.94	3.13	3.75	45.02	3.37	3.92	47.20	3.47	3.99	54.46	3.76	4.24
1650	60	19.52	2.08	2.76	24.96	2.52	2.90	27.29	2.70	2.97	35.06	3.24	3.17	42.83	3.72	3.38	48.27	4.02	3.52	50.60	4.14	3.59	58.37	4.51	3.79
	70	19.00	1.93	2.89	24.26	2.33	3.05	26.52	2.50	3.11	34.03	2.99	3.34	41.55	3.42	3.56	46.81	3.69	3.72	49.06	3.80	3.78	56.58	4.14	4.01
	80	18.37	1.77	3.04	23.49	2.15	3.21	25.68	2.29	3.28	32.99	2.75	3.52	40.29	3.14	3.76	45.41	3.39	3.93	47.60	3.49	4.00	54.90	3.80	4.24

Q6SD-X60

CFM	Indoor T. Deg.F	OUTDOOR TEMPERATURE (Deg. F)																							
		10			17			20			30			40			47			50			60		
		MBH	COP	KW	MBH	COP	KW	MBH	COP	KW	MBH	COP	KW	MBH	COP	KW	MBH	COP	KW	MBH	COP	KW	MBH	COP	KW
1500	60	30.14	2.30	3.83	36.01	2.65	3.99	38.53	2.79	4.05	46.92	3.23	4.27	55.32	3.62	4.48	61.19	3.87	4.63	63.71	3.98	4.70	72.10	4.30	4.91
	70	29.19	2.07	4.14	34.97	2.39	4.29	37.45	2.52	4.36	45.71	2.93	4.57	53.96	3.30	4.79	59.74	3.55	4.94	62.22	3.64	5.01	70.48	3.96	5.22
	80	28.71	1.88	4.47	34.34	2.18	4.63	36.75	2.30	4.69	44.79	2.67	4.92	52.83	3.01	5.14	58.46	3.23	5.30	60.88	3.32	5.37	68.92	3.61	5.59
1700	60	30.42	2.31	3.86	36.38	2.66	4.00	38.93	2.81	4.06	47.44	3.26	4.27	55.95	3.67	4.47	61.91	3.94	4.61	64.46	4.05	4.67	72.97	4.39	4.88
	70	29.55	2.08	4.16	35.39	2.41	4.30	37.89	2.55	4.36	46.23	2.97	4.57	54.56	3.36	4.77	60.40	3.61	4.91	62.90	3.71	4.97	71.24	4.04	5.17
	80	28.93	1.89	4.50	34.64	2.19	4.64	37.08	2.31	4.70	45.24	2.70	4.91	53.40	3.06	5.11	59.11	3.30	5.25	61.56	3.40	5.32	69.72	3.70	5.52
1900	60	30.43	2.29	3.89	36.50	2.66	4.03	39.10	2.80	4.09	47.77	3.27	4.29	56.44	3.69	4.48	62.51	3.97	4.62	65.11	4.08	4.68	73.78	4.43	4.88
	70	29.92	2.09	4.20	35.80	2.42	4.33	38.32	2.56	4.39	46.72	2.99	4.58	55.12	3.39	4.77	61.00	3.65	4.90	63.52	3.76	4.96	71.92	4.10	5.15
	80	29.24	1.89	4.53	35.00	2.20	4.66	37.46	2.33	4.72	45.69	2.73	4.91	53.91	3.10	5.10	59.67	3.35	5.23	62.14	3.45	5.29	70.36	3.77	5.47



We Encourage  
Professionalism



Through Technician  
Certification by NATE



714C-0509 (Replace 714C-0508)

O'Fallon, MO

**NORDYNE**  
COMPLETE COMFORT. GENUINE VALUE.

Before purchasing this appliance, read important energy cost and efficiency information available from your retailer. Specifications and illustrations subject to change without notice and without incurring obligations. Printed in U.S.A. (05/09)