



The new degree of comfort.™

## Rheem *Prestige*® Series EcoNet® Enabled Two-Stage Variable Speed Multi-Position Gas Furnaces

### R96V- Series

96% A.F.U.E.†

Input Rates from 40 to 115 kBTU  
[11.72 to 33.71 kW]



†A.F.U.E. (Annual Fuel Utilization Efficiency) calculated in accordance with Department of Energy test procedures.

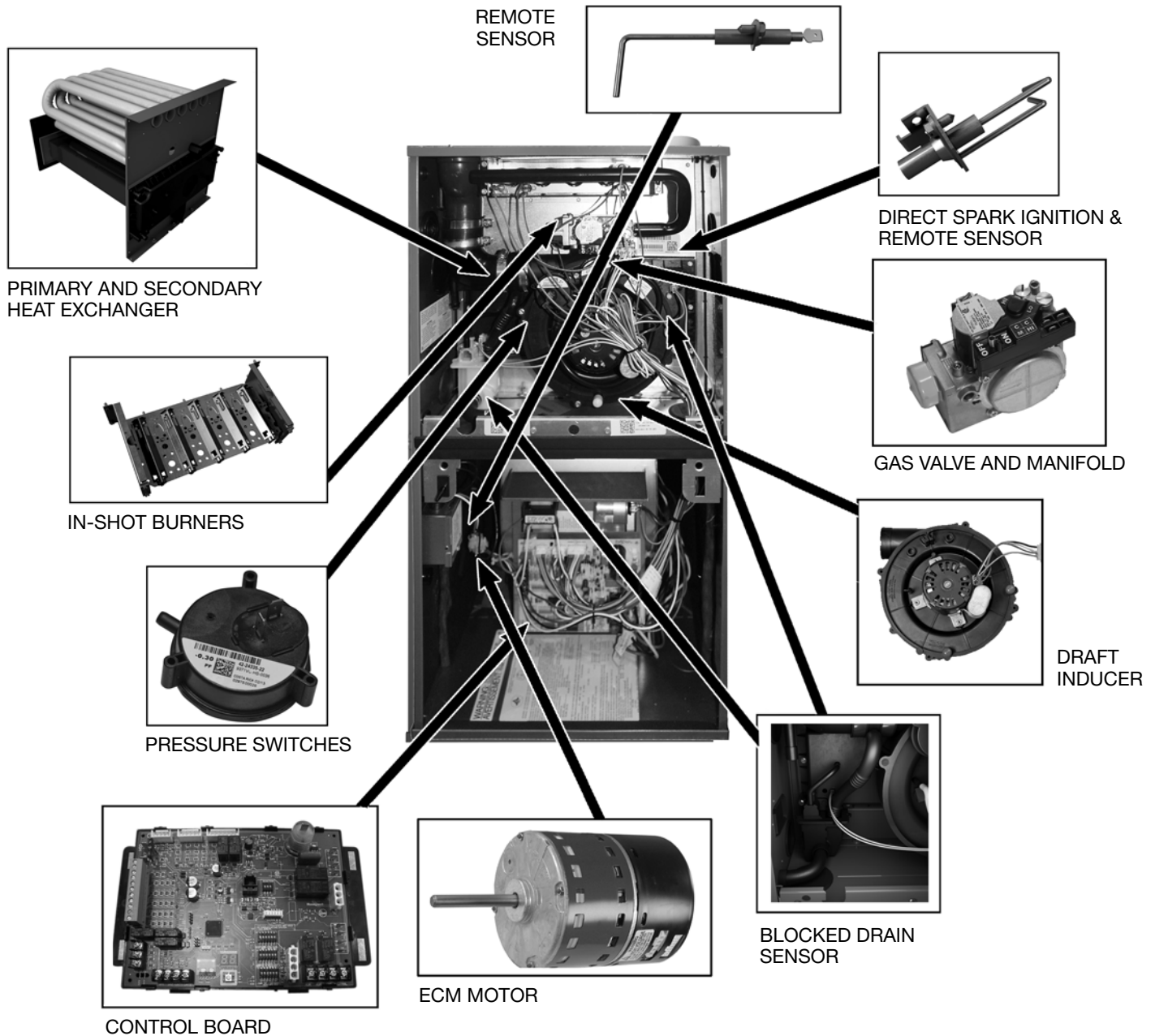


- 96% residential gas furnace CSA certified
- 4 way multi-poise design
- Two stages of operation to save energy and maintain optimal comfort level.
- Variable speed blower motor technology provides ultimate humidity control, quieter sound levels, and year round energy savings.
- The Prestige® Series R96V is part of a new line of Rheem smart heating, cooling and water heating products. Using the latest in sensor technology and a powerful EcoNet® monitoring system, Rheem provides homeowners with a new level of protection, control and energy savings. Rheem smart heating, cooling and water heating products will alert the homeowner if there is ever an issue via the EcoNet Smart Thermostat<sup>1</sup> and the EcoNet Mobile app. The EcoNet Mobile App makes it easy for homeowners to manage their comfort environment at home or on-the-go\*, while enjoying the convenience and savings benefits of a highly efficient system.
- PlusOne™ Diagnostics 7-Segment LED all units
- PlusOne™ Ignition System – DSI for reliability and longevity
- PlusOne™ Water Management System with patented Blocked Drain Sensor
- Heat exchanger is removable for improved serviceability. Aluminized steel primary and stainless steel secondary construction provide maximum corrosion resistance and thermal fatigue reliability.
- Low profile “34 inch” cabinet ideal for space constrained installations.
- Blower Shelf design – serviceable in all furnace orientations
- Pre marked hoses – insures proper system drainage
- Vent with 2" or 3" PVC
- Replaceable Collector box
- Hemmed edges on cabinet and doors
- Quarter turn fasteners for tool less access
- Integrated control boards feature dip switches for easy system set up
- Self priming condensate trap
- Solid bottom included
- Compatible with single or two stage thermostats. For optimal performance a two stage thermostat is recommended.

\*WiFi broadband internet connection required. Download the EcoNet App from the App Store or Google Play to set up your EcoNet Smart Thermostat. Receipt of notifications depend on home WiFi set up. WiFi broadband internet connection required.

## TABLE OF CONTENTS

Standard & Optional Equipment .....	3
Physical Data & Specifications .....	4
Model Number Identification .....	5
Dimensional Data.....	6
Blower Performance Data.....	7
Accessories .....	8-9
Limited Warranty .....	10



## STANDARD EQUIPMENT

Completely assembled and wired; blocked drain sensor, 7 segment LED and marked hoses; heat exchanger; primary: aluminized steel, secondary: 29-4C stainless steel; 2 stage induced draft; pressure switches; redundant 2 stage main gas control; blower compartment door safety switch; solid state time on/off blower control; limit controls; manual shut-off valve; 100% safety lock out; cool fan off delay; field selectable heat fan off delay; one hour automatic retry; power and self-test diagnostics; flame sense current diagnostics; electronic air cleaner connections; humidifier connections; humidifier on/off delay; low speed continuous fan option; single speed option for heating and cooling applications; transformer; direct drive, variable speed electrically commutated blower motor (ECM). Solid bottom. (Please note: a thermostat is not included as standard equipment.)

## OPTIONAL EQUIPMENT

Side and bottom filter racks; return air cabinet for all sizes.

NOTE: Furnace is not listed for use with fuels other than natural or L.P. (propane) gas.

All models can be converted by a qualified distributor or local service dealer to use L.P. (propane) gas without changing burners. Factory approved kits must be used to convert from natural to L.P. (propane) gas and may be ordered as optional accessories from a parts distributor.

For L.P. (propane) operation, refer to Conversion Kit Index Form.

## WARNING

THIS FURNACE IS NOT APPROVED  
OR RECOMMENDED  
FOR USE IN MOBILE HOMES



## Physical Data and Specifications—Upflow Models U.S. and Canadian Models

MODEL NUMBERS	R96VA0402317MSA	R96VA0602317MSA	R96VA0702317MSA	R96VA0852521MSB	R96VA1002521MSA	R96VA1152524MSA
HIGH FIRE INPUT BTU/HR [kW] ①	42,000 [12.31]	56,000 [16.41]	70,000 [20.50]	84,000 [24.61]	98,000 [28.72]	112,000 [32.82]
LOW FIRE INPUT	29,400 [8.61]	39,200 [11.49]	49,000 [14.36]	58,800 [17.23]	68,600 [20.11]	78,400 [23.00]
HEATING CAPACITY BTU/HR [kW]	41,000 [12.02]	55,000 [16.12]	68,000 [19.93]	82,000 [24.03]	95,000 [27.84]	109,000 [31.94]
HIGH ALTITUDE OUTPUT 10% DERATE [kW] ②	36,288 [10.64]	48,384 [14.18]	60,480 [17.72]	72,756 [21.27]	84,672 [24.81]	96,768 [28.36]
BLOWER (D x W) [mm]	11 x 7 [279 x 178]	11 x 8 [279 x 203]	11 x 8 [279 x 203]	11 x 10 [279 x 254]	11 x 10 [279 x 254]	11 x 11 [279 x 279]
MOTOR H.P. [W]— TYPE	1/2 [373] E.C.M.	1/2 [373] E.C.M.	1/2 [373] E.C.M.	3/4 [559] E.C.M.	3/4 [559] E.C.M.	3/4 [559] E.C.M.
MIN. CIRCUIT AMPACITY	8.00	7.00	9.00	12.00	12.00	12.00
MIN. OVERLOAD PROTECTION DEVICE	15.00	15.00	15.00	15.00	15.00	15.00
MAX. OVERLOAD PROTECTION DEVICE	15.00	15.00	15.00	20.00	20.00	15.00
MINIMUM EXT. STATIC PRESSURE (IN. W.C.) [kPa]	.18 [.045]	.20 [.050]	.23 [.057]	.28 [.070]	.28 [.070]	.28 [.070]
MAXIMUM EXT. STATIC PRESSURE (IN. W.C.) [kPa]	1.0 [0.249]	1.0 [0.249]	1.0 [0.249]	1.0 [0.249]	1.0 [0.249]	1.0 [0.249]
HEATING CFM @ MAX W.C. E.S.P. [L/s]	1250 [590]	1250 [590]	1190 [562]	1850 [873]	1965 [927]	1700 [802]
FACTORY SETTING HEATING CFM [L/s]	950 [448]	1025 [484]	1015 [479]	1470 [694]	1710 [807]	1450 [684]
COOLING CFM @ .5" [.124 kPa] W.C. E.S.P. [L/s]	1050 [496]	1050 [496]	1050 [496]	1750 [826]	1750 [826]	1750 [826]
TEMPERATURE RISE-HIGH FIRE RANGE IN DEGREES °F [°C]	20 - 50 [11 - 28]	30 - 60 [17 - 33]	40 - 70 [22 - 39]	30 - 60 [17 - 33]	40 - 70 [22 - 39]	45 - 75 [25 - 42]
TEMPERATURE RISE-LOW FIRE RANGE IN DEGREES °F [°C]	15 - 45 [8 - 25]	20 - 50 [11 - 28]	30 - 60 [17 - 33]	20 - 50 [11 - 28]	30 - 60 [17 - 33]	35 - 63 [19 - 36]
APPROX. SHIPPING WEIGHT (LBS.) [kg]	128 [58]	128 [58]	132 [60]	147.5 [67]	152 [69]	165 [75]
AFUE ③	96.00%	96.00%	96.00%	96.00%	96.00%	96.00%

NOTES: All models are 115V, 60HZ, 1 phase Gas connection size for all models is 1/2" [13 mm] N.P.T.

① Installation instructions for high altitude derate.

② Canadian installations only.

③ In accordance with D.O.E. test procedures.

\*S=Standard Models

NOTE: Standard model complies with California low nox requirements.

This furnace does not meet air district requirements of 14 ng/J NOx emissions limit, and thus is subject to a mitigation fee of up to \$450. This furnace is not eligible for the Clean Air Furnace Rebate Program: [www.CleanAirFurnaceRebate.com](http://www.CleanAirFurnaceRebate.com).

This furnace is to be installed for propane firing only in air districts requiring 14 ng/J NOx emission limits. Operating in natural gas mode is in violation of these Rules.

[ ] Designates Metric Conversions

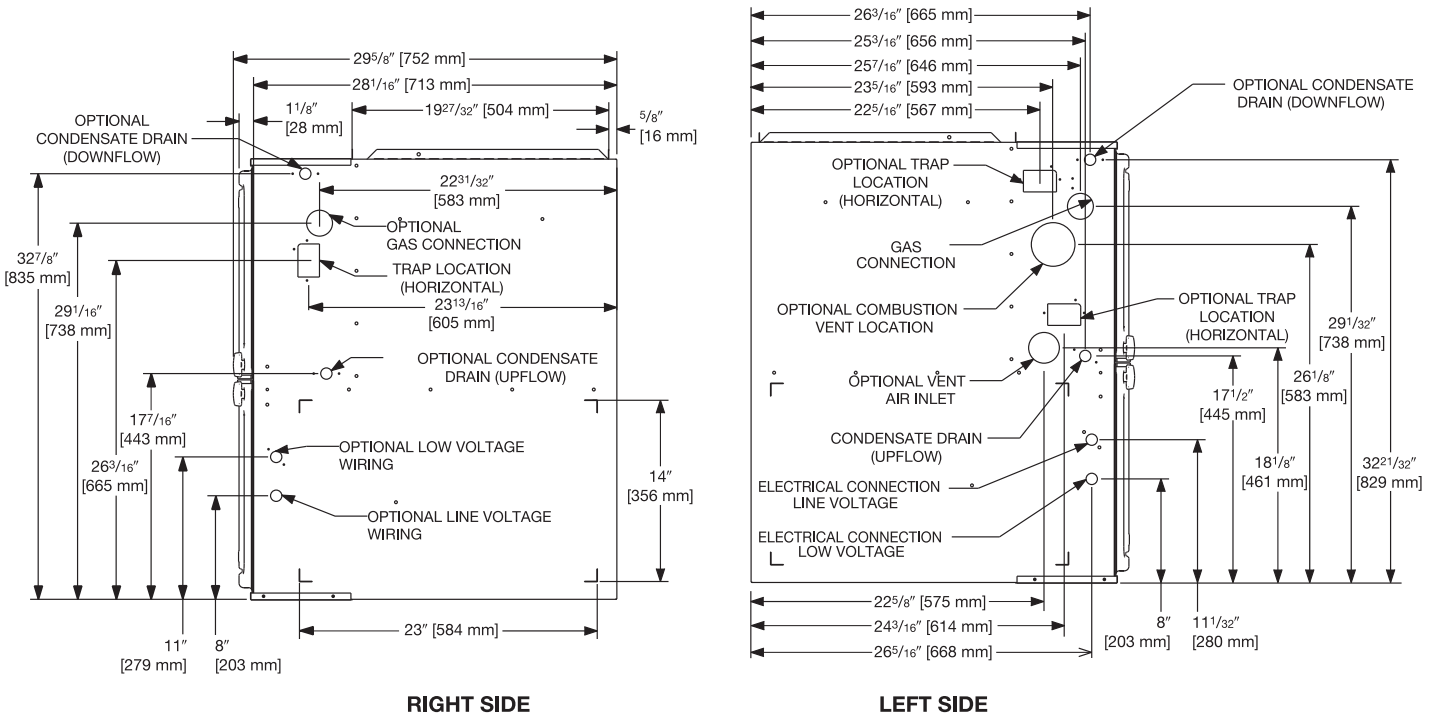
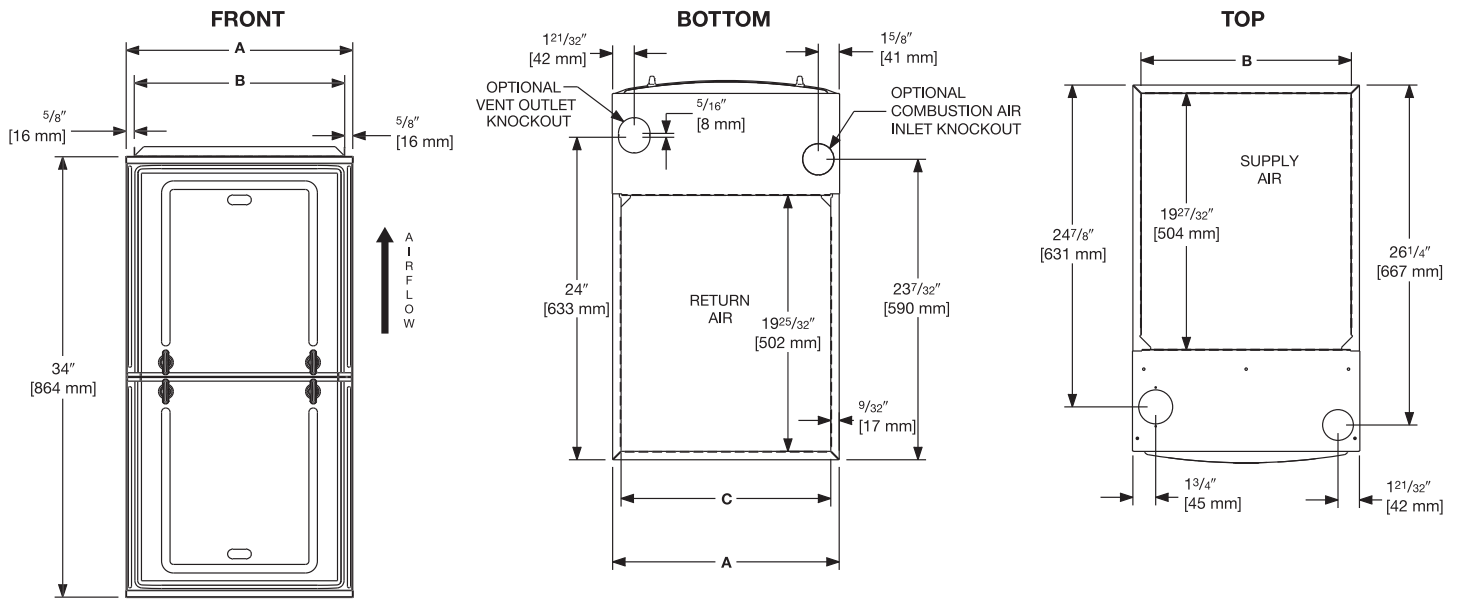


## Model Number Identification

<u>R</u>	<u>96</u>	<u>V</u>	<u>A</u>	<u>—</u>	<u>040</u>	<u>2</u>	<u>3</u>	<u>17</u>	<u>M</u>	<u>S</u>	<u>A</u>
Rheem	96% Efficient	Motor - ECM	Design Series A = 1st Design		Input BTU/HR	Stage - Two	Airflow 3 - Up to 3 Tons 5 - Up to 5 Tons	Cabinet Width 17 = 17.5" 21 = 21.0" 24 = 24.5"	Configuration - Multi-Position	S = Standard	Revision - Marketing (A - First Time Release) (B - First Revision)
					040 = 42,000 [12.31 kW]						
					060 = 56,000 [16.41 kW]						
					070 = 70,000 [20.51 kW]						
					085 = 84,000 [24.62 kW]						
					100 = 98,000 [28.72 kW]						
					115 = 112,000 [32.82 kW]						

[ ] Designates Metric Conversions





**UNIT DIMENSIONS  
(CLEARANCE TO COMBUSTIBLES)**

MODEL R96V	LEFT SIDE	MINIMUM CLEARANCE (IN.) [mm]					SHIP WGTs.	FLANGE DIMENSIONS		
		RIGHT SIDE	BACK	TOP	FRONT	VENT		A	B	C
040	0	0	0	1 [25]	2 [51]	0	123.5 [56]	17 1/2 [445]	16 17/64 [413]	16 13/64 [412]
060	0	0	0	1 [25]	2 [51]	0	128 [58]	17 1/2 [445]	16 17/64 [413]	16 13/64 [412]
070	0	0	0	1 [25]	2 [51]	0	132 [60]	17 1/2 [445]	16 17/64 [413]	16 13/64 [412]
085	0	0	0	1 [25]	2 [51]	0	147.5 [67]	21 [533]	19 49/64 [502]	19 45/64 [500]
100	0	0	0	1 [25]	2 [51]	0	152 [69]	21 [533]	19 49/64 [502]	19 45/64 [500]
115	0	0	0	1 [25]	2 [51]	0	165 [75]	24 1/2 [662]	23 17/64 [591]	23 13/64 [589]

\*A service clearance of at least 24" is recommended in front of all furnaces  
 Supply and return depicted as upflow configuration.  
 Flange configuration will vary depending on installation orientation.

[ ] Designates Metric Conversions



Air

MODEL NUMBER		R96VA0402317MSA	R96VA0602317MSA	R96VA0702317MSA	R96VA0852521MSB	R96VA1002521MSB	R96VA115524MSB	
TARGET GAS HEATING AIRFLOW	HIGH HEATING CFM [L/s]	SW 15 = OFF SW 16 = OFF	950 [448]	1025 [484]	1015 [479]	1470 [694]	1710 [807]	1450 [684]
		SW 15 = ON SW 16 = OFF	825 [389]	880 [415]	950 [448]	1235 [583]	1490 [703]	1300 [614]
		SW 15 = OFF SW 16 = ON	1250 [590]	1250 [590]	1190 [562]	1850 [873]	1965 [927]	1700 [802]
		SW 15 = ON SW 16 = ON	685 [323]	780 [368]	900 [425]	1120 [529]	1400 [661]	1225 [578]
	LOW HEATING CFM [L/s]	SW 13 = OFF SW 14 = OFF	790 [373]	925 [437]	900 [425]	1300 [614]	1500 [708]	1250 [590]
		SW 13 = ON SW 14 = OFF	620 [293]	750 [354]	770 [363]	1065 [503]	1335 [630]	1060 [500]
		SW 13 = OFF SW 14 = ON	1000 [472]	1210 [571]	1050 [496]	1775 [838]	1800 [850]	1400 [661]
		SW 13 = ON SW 14 = ON	550 [260]	660 [311]	700 [330]	925 [437]	1210 [571]	960 [453]
TARGET COOLING/ HEAT-PUMP AIRFLOW	HIGH COOLING CFM [L/s]	SW 4 = OFF SW 5 = OFF	1050 [496]	1050 [496]	1050 [496]	1750 [826]	1750 [826]	1750 [826]
		SW 4 = ON SW 5 = OFF	875 [413]	875 [413]	875 [413]	1400 [661]	1400 [661]	1400 [661]
		SW 4 = OFF SW 5 = ON	700 [330]	700 [330]	700 [330]	1225 [578]	1225 [578]	1225 [578]
		SW 4 = ON SW 5 = ON	525 [248]	525 [248]	525 [248]	1050 [496]	1050 [496]	1050 [496]
	LOW COOLING CFM [L/s]	SW 4 = OFF SW 5 = OFF	788 [372]	788 [371]	788 [371]	1313 [618]	1313 [618]	1313 [618]
		SW 4 = ON SW 5 = OFF	656 [309]	656 [309]	656 [309]	1050 [495]	1050 [495]	1050 [495]
		SW 4 = OFF SW 5 = ON	525 [247]	525 [247]	525 [247]	919 [433]	919 [433]	919 [433]
		SW 4 = ON SW 5 = ON	394 [186]	394 [186]	394 [186]	788 [371]	788 [371]	788 [371]

\*S = Standard Models

NOTE Standard model complies with California low NOx requirements.

[ ] Designates Metric Conversions.



## VENT TERMINATION KITS:

**RXGY-E02:** Vertical/Horizontal Concentric Vent Termination Kit 2" Pipe (US Only)

**RXGY-E02A:** Vertical/Horizontal Concentric Vent Termination Kit 2" Pipe (US & Canadian)

**RXGY-E03:** Vertical/Horizontal Concentric Vent Termination Kit 3" Pipe (US Only)

**RXGY-E03A:** Vertical/Horizontal Concentric Vent Termination Kit 3" Pipe (US & Canadian)

**RXGY-G02:** Direct Vent Furnace Side Wall Vent 2" or 3" (US Only)

**RXGY-D05:** Combustion Air Drain Kit 2"

**RXGY-D06:** Combustion Air Drain Kit 3"

**NEUTRALIZER KIT:** RXGY-A01  
(Replacement Cartridge 54-22120-01)

**EXTERNAL BOTTOM FILTER (UPFLOW/HORIZONTAL) RACK:**  
RXGF-CB

**EXTERNAL SIDE (UPFLOW) FILTER RACK:** RXGF-CD

**EXTERNAL (DOWNFLOW) FILTER RACK:** RXGF-CC

FILTER RACK FILTER SIZES* INCHES [mm]			
MODEL	RXGF-CB (UPFLOW/ HORIZONTAL)	RXGF-CD (UPFLOW)	RXGF-CC (DOWNFLOW)
R96VA040	15 <sup>3</sup> / <sub>4</sub> x 25 [400 x 635]	15 <sup>3</sup> / <sub>4</sub> x 25 [400 x 635]	12 x 20 [305 x 508]
R96VA060	15 <sup>3</sup> / <sub>4</sub> x 25 [400 x 635]	15 <sup>3</sup> / <sub>4</sub> x 25 [400 x 635]	12 x 20 [305 x 508]
R96VA070	15 <sup>3</sup> / <sub>4</sub> x 25 [400 x 635]	15 <sup>3</sup> / <sub>4</sub> x 25 [400 x 635]	12 x 20 [305 x 508]
R96VA085	19 <sup>1</sup> / <sub>4</sub> x 25 [489 x 635]	15 <sup>3</sup> / <sub>4</sub> x 25 [400 x 635]	12 x 20 [305 x 508]
R96VA100	19 <sup>1</sup> / <sub>4</sub> x 25 [489 x 635]	15 <sup>3</sup> / <sub>4</sub> x 25 [400 x 635]	12 x 20 [305 x 508]
R96VA115	22 <sup>3</sup> / <sub>4</sub> x 25 [578 x 635]	15 <sup>3</sup> / <sub>4</sub> x 25 [400 x 635]	14 x 20 [356 x 508]

\*Filter racks are shipped without filters.  
Filters shipped with furnace may be used or a suitable 1" [25.4 mm] filter.

[ ] Designates Metric Conversions

## INDOOR COIL CASINGS

MODEL NUMBER
RXBC-D17A1
RXBC-D21A1
RXBC-D21B1
RXBC-D24A1

## FOR HIGH ALTITUDES:

**NOTE:** For Canadian installations only, an optional derate (manifold gas pressure reduction) method may be used to adjust the furnace for altitude. See Installation Instructions for more information. This optional method may **NOT** be used for U.S. installations. See installation instructions as appropriate orifice change is required.

OPTIONAL HIGH ALTITUDE HEATING AIRFLOW ADJUSTMENT KITS			
KIT NUMBER	SEA LEVEL INPUT (BTU)	MINIMUM ELEVATION KIT RECOMMENDED	MAXIMUM ELEVATION KIT RECOMMENDED
RXGY-58	42000	6000	10000
RXGY-59	56000		
RXGY-60	70000		
RXGY-61	84000		
RXGY-62	98000		
RXGY-63	112000		

**L.P. CONVERSION KIT:** RXGJ-FP34

**CONDENSATE PUMP KIT:** PROSTOCK & 1PCB151TUL

**DOWNFLOW/HORIZONTAL CONVERSION KIT:** RXGY-CK

**DOWNFLOW/HORIZONTAL LEFT ZERO CLEARANCE CONVERSION KIT:** RXGY-ZK

**COMBUSTIBLE FLOOR BASE:** RXGC-B17  
RXGC-B21  
RXGC-B24





## THE ECONET® SMART THERMOSTAT

**BUILT-IN WIFI**

**4.3" LCD TOUCH SCREEN**

**LOCAL WEATHER** – Current conditions plus 6-day forecast

**5 OPERATING MODES** – Heat, Cool, Auto, Emergency Heat and Fan Only

**7-DAY PROGRAMMABLE SCHEDULE** – Offers comfort without thought

**ONE-TOUCH AWAY** – Quickly switch to your energy-saving away preferences

**VACATION SCHEDULING** – Allows you to save while you're away and come home to comfort

**MOTION SENSOR** – Automatically wakes the screen as you approach

**STANDBY SCREEN** – Displays indoor temperature and current weather



**RETST700SYS**

## OPERATIONAL FEATURES

**AUTOMATIC CHANGEOVER** – Transitions between heating and cooling automatically to keep the house comfortable

**INTEGRATED WATER CONTROL** – Enables easy water heater management

**SMOOTH ARRIVAL** – Prompts the system to start ahead of schedule to ensure the home is at the desired temperature at the scheduled time

**HUMIDITY CONTROL** – Supports humidifier accessories or over-cool based dehumidification

**DETAILED OPERATING STATUS** – View pertinent equipment status information and run times

**CONTINUOUS FAN** – Offers 5 speeds (Low, Medium Low, Medium, Medium High, High)

**SHORT-CYCLE PROTECTION** – Avoids damage to equipment from short run cycles

## MONITORING & REMOTE CONTROL FEATURES

**ACTIVE MONITORING** – Alerts to problems that need immediate attention

**REMOTE CONTROL** – Allows adjusting of comfort and settings from anywhere using a mobile device

**SERVICE ALERTS** – Sends routine maintenance reminders

**AIR FILTER MONITORING** – Detects when it's time to replace the air filter

**ALARM HISTORY** – Displays time-stamped alarm codes with clear descriptions

## ECONET SMART THERMOSTAT COMPATIBILITY

Models	Heating & Cooling									
	Gas Furnaces				Air Handlers		Air Conditioners		Heat Pumps	
	R802V	R96V	R97V	R98V	RHMV	RH2T	RA20	RA17*	RP20	RP17
RETST700SYS	✓	✓	✓	✓	✓	✓	✓	✓	✓	✓

*\*Models not EcoNet Enabled: RA1724AJ2NB, RA1736AJ2NB, RA1748AJ2NB, RA1760AJ2NB*

**GENERAL TERMS OF LIMITED WARRANTY\***

Rheem will furnish a replacement for any part of this product which fails in normal use and service within the applicable period stated, in accordance with the terms of the limited warranty.

**\*For complete details of the Limited and Conditional Warranties, including applicable terms and conditions, contact your local contractor or the Manufacturer for a copy of the product warranty certificate.**

Parts .....Ten (10) Years  
Heat Exchanger .....Limited Lifetime  
    Limited Lifetime  
Conditional Unit Replacement  
    (Registration Required) .....Ten (10) Years





The new degree of comfort.™

*In keeping with its policy of continuous progress and product improvement, Rheem reserves the right to make changes without notice.*

Rheem Heating, Cooling & Water Heating • P.O. Box 17010  
Fort Smith, Arkansas 72917 • [www.rheem.com](http://www.rheem.com)

Rheem Canada Ltd./Ltée • 125 Edgeware Road, Unit 1  
Brampton, Ontario • L6Y 0P5



INTEGRATED HOME COMFORT

PRINTED IN U.S.A. 9/18 QG FORM NO. G11-540 REV. 10