

RSG14**S1M

SPECIFICATIONS

Refrigerant System

- R410a Refrigerant
- High-quality condenser coil with copper tubing and enhanced louvered fin for maximum heat transfer capacity
- Top discharge directs hot air away from living area and shrubbery
- All units factory run tested
- Easy access to electrical panels, pre-wired for easy hook-up
- Liquid line drier shipped loose
- All units ETL and ETL approved and AHRI Certified
- Charged for 15 feet of interconnecting tubing
- High pressure switch factory installed

SPLIT AIR CONDITIONER SYSTEM

14 SEER



For the latest AHRI system matches,
please visit www.marshdeliversratings.com
or AHRIdirectory.com

Comfort-Cire®

Warranty—12 years on compressor, 6 years on parts
(Some limitations apply; see printed warranty for details.)

www.marshdelivers.com

MODEL NUMBER GUIDE

R	S	G	14	24	S	1	M
Residential Condenser	Split System	'Green' Gas R-410A	Minimum SEER	Capacity BTUH x 1000	S = Scroll Compressor	Power 1 = 208/230-1-60	Series/ Revision

ELECTRICAL AND PHYSICAL DATA

Model	Voltage/ Hz/ Phase	Voltage Range	Min. Circuit (Amps)	Max. Fuse (Amps) ¹	Compressor		Fan Motor			Refrig. Charge (oz.) ²	Weight (lbs.)	
					Rated Load (Amps)	Locked Rotor (Amps)	Full Load (Amps)	Rated HP	Nom. RPM		Louvered	
RSG1418S1M	208-230/60/1	197-253	12.4	20	9.4	56.6	0.7	1/10	1075	77	150	
RSG1424S1M	208-230/60/1	197-253	15.0	25	11.2	60.8	1.0	1/6	825	86	160	
RSG1430S1M	208-230/60/1	197-253	17.0	25	12.8	67.8	1.0	1/6	825	100	180	
RSG1436S1M	208-230/60/1	197-253	18.6	30	14.1	83	1.0	1/6	825	102	185	
RSG1441S1M	208-230/60/1	197-253	22.6	35	16.7	79	1.7	1/4	825	161	210	
RSG1442S1M	208-230/60/1	197-253	24.1	40	17.9	113	1.7	1/4	825	160	208	
RSG1447S1M	208-230/60/1	197-253	26.7	45	19.9	109	1.8	1/3	825	179	251	
RSG1448S1M	208-230/60/1	197-253	26.6	45	19.8	109	1.7	1/4	825	174	220	
RSG1460S1M	208-230/60/1	197-253	34.8	60	26.4	134	1.8	1/3	825	192	253	

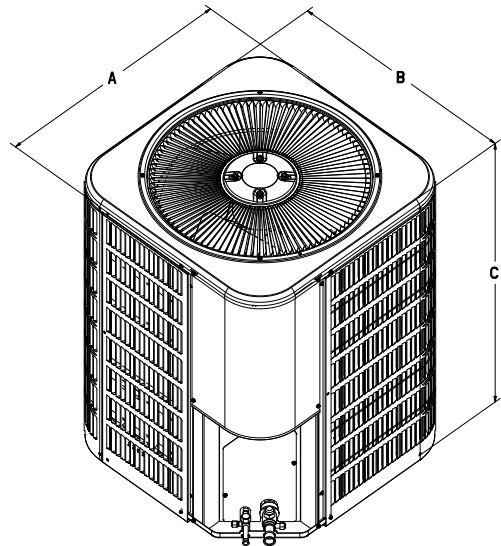
¹ Factory charged for 15 feet of line set. Adjust per installation instructions.

² Weights listed are unit weights with packaging

UNIT DIMENSIONS & SOUND RATINGS

Note: Dimensions listed are unit sizes w/o packaging

Model	Dimensions			Sound Ratings (dBa)
	A - width (in.)	B - depth (in.)	C - height (in.)	
RSG1418S1M	24-1/4	24-1/4	29	71
RSG1424S1M	28-1/4	28-1/4	29	76
RSG1430S1M	28-1/4	28-1/4	37	74
RSG1436S1M	28-1/4	28-1/4	37	74
RSG1441S1M	28-1/4	28-1/4	37	76
RSG1442S1M	28-1/4	28-1/4	33	76
RSG1447S1M	28-1/4	28-1/4	37	80
RSG1448S1M	28-1/4	28-1/4	33	80
RSG1460S1M	32-1/4	32-1/4	37	80



Comfort-Cire®

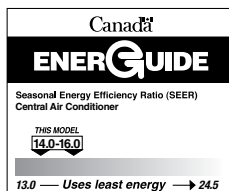
PERFORMANCE WITH COILS, AIR HANDLERS AND FURNACES

Outdoor Model	Indoor Model	Cooling			
	Evap. Coil Air Handlers ¹	SEER	EER	AHRI Capacity ²	AHRI Reference Numbers
RSG1418S1M	HMG24F1M	14	12.2	18,000	201925036
	HMG24X1M	16	13	18,000	201925038
	HCG24V1M	16	13	18,000	202147675
	HMG24F1P	14	12.2	18,000	204118579
	HMG24X1P	16	13	18,000	204118580
	HCG24V1P	15.5	12.5	18,000	204118581
RSG1424S1M	HMG24F1M	14	12.2	23,000	201925046
	HCG24V1M	16	13	23,000	201925048
	HMG36X1M	16	13	23,000	201925051
	HCG36V1M	16	13	23,000	201925050
	HMG24F1P	14	12.2	24,000	204118582
	HMG24X1P	16	13	24,000	204118583
	HMG30X1P	16	13	24,000	204118584
	HCG24V1P	16	13	24,000	204118585
HCG36V1P	16	13	24,000	204118586	
RSG1430S1M	HMG30F1M	14	12.2	28,000	201925058
	HMG30X1M	15.1	13	28,000	201925059
	HMG30F1P	14	12.2	28,000	204118587
	HMG30X1P	15	12.5	28,000	204118588
RSG1436S1M	HMG36F1M	14	12.2	34,000	201925066
	HMG36X1M	14	12.2	34,000	201925067
	HCG36V1M	14.5	12.2	34,000	204089890
	HMG42X1M	16	13	34,000	202613406
	HCG36V1P	15.5	12.5	28,000	204118589
	HMG36F1P	14	12.2	35,000	204118590
	HMG36X1P	15.5	12.2	35,000	204118591
	HMG42X1P	15.5	12.2	35,000	204118592
RSG1441S1M	HMG42X1M	16	13	38,000	202181453
	HCG42V1M	16	13	38,000	202181451
	HCG48V1M	16	13	38,000	202181452
	HMG42X1P	15.5	12.5	38,000	204118598
	HCG42V1P	16	13	38,000	204118599
	HCG48V1P	16	13	38,000	204118600
RSG1441S1M	HMG42F1M	14	12.2	40,000	201925075
	HMG42X1M	14.5	12.2	40,000	201925076
	HMG42F1P	14.25	12.2	41,500	204118593
	HMG42X1P	15	12.5	41,500	204118594
RSG1447S1M	HMG48X1M	16	13	45,500	202208593
	HCG48V1M	16	13	45,500	202208592
	HMG48X1P	15.1	12.5	46,500	204118601
	HCG48V1P	15.1	12.5	46,500	204118602
RSG1448S1M	HMG48F1M	14	12	46,500	201925080
	HMG48X1M	15.1	12.5	46,500	201925081
	HCG48V1M	14.5	11.7	47,000	201925082
	HMG48X1P	13	11	48,000	202833100
	HMG60X1P	13	11	48,000	202833101
	HCG48V1P	13	11	48,000	202833111
	HCG60V1P	13	11	48,000	202833112
RSG1460S1M	HMG60F1M	14	12	58,000	201925084
	HCG60V1M	14	12	58,000	201925085
	HMG60F1P	14	11.7	56,000	204118596
	HCG60V1P	14	12.2	56,000	204118597

Note: ¹ A blower time delay relay is required to achieve AHRI rating. This feature is standard on all furnaces and AH products
² Certified in accordance with Unitary Air Conditioner Certification Program, which is based on AHRI Standard 210/240

ACCESSORIES

DESCRIPTION	WHERE USED	KIT NUMBER
Crankcase Heater	All models	93M04
Hard Start Kit	18	10J42
	24, 30, 36, 41, 42, 47, 48, 59, 60	88M91
Low Ambient Kit	All models	34M72
Short Cycle Protector	All models	47J27
Freezestat	3/8 tubing	93G35
	5/8 tubing	50A93
Time Delay Relay	All models	58M81
Loss of Charge Kit	All models	84M23 (factory installed)
Sound Blanket	18, 24, 30, 36, 41	14W00 (factory installed)
	42, 47, 48, 59, 60	14W01 (factory installed)
TXV Kit Air Handlers	18, 24, 30	H4TXV01
	36, 42, 48	H4TXV02
	60	H4TXV03
TXV Evaporator Coils	18, 24, 30, 36	4200
	42, 48, 60	4202



“This product complies with all California product labeling laws including, but not limited to, the Safe Drinking Water and Toxic Enforcement Act of 1986, more commonly known as Proposition 65.”

Due to ongoing product improvements, specifications and dimensions are subject to change and correction without notice or incurring obligations. Determining the application and suitability for use of any product is the responsibility of the installer. Additionally, the installer is responsible for verifying dimensional data on the actual product prior to beginning any installation preparations.

Third party incentive and rebate programs have precise requirements as to product performance and certification. All products meet applicable regulations in effect on date of manufacture; however, certifications are not necessarily granted for the life of a product. Therefore, it is the responsibility of the applicant to determine whether a specific model qualifies for these incentive/rebate programs.