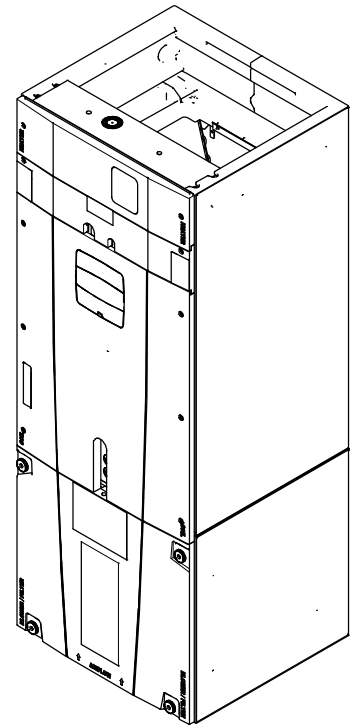




Submittal

3-1/2 Ton Convertible Air Handler
TAM7A0C42H31SD — Standard Coil
TAM7A0C42H31EA — Black Epoxy Coil



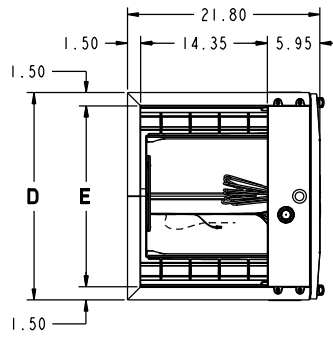
TAG: _____

⚠ SAFETY WARNING

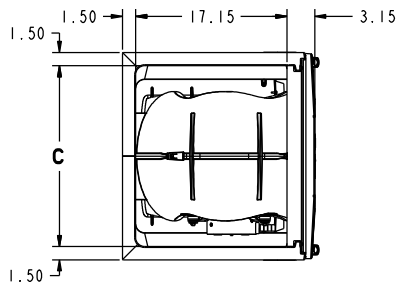
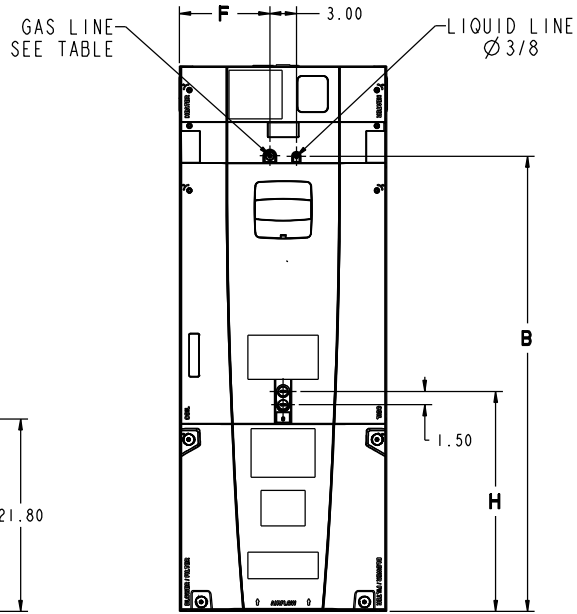
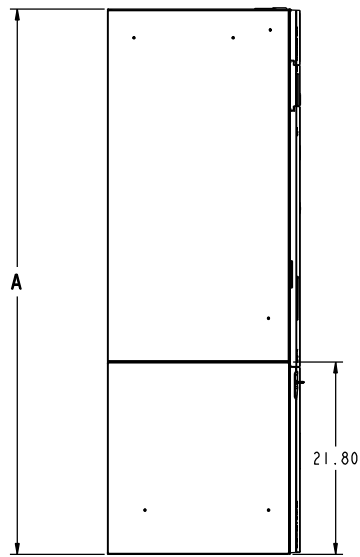
Only qualified personnel should install and service the equipment. The installation, starting up, and servicing of heating, ventilating, and air-conditioning equipment can be hazardous and requires specific knowledge and training. Improperly installed, adjusted or altered equipment by an unqualified person could result in death or serious injury. When working on the equipment, observe all precautions in the literature and on the tags, stickers, and labels that are attached to the equipment.



Outline Drawing



MINIMUM UNIT CLEARANCE TABLE		
	TO COMBUSTIBLE MATERIAL (REQUIRED)	SERVICE CLEARANCE (RECOMMENDED)
SIDES	0"	2"
FRONT	0"	21"
BACK	0"	0"
INLET DUCT	0"	
OUTLET DUCT	0"	



MODEL NO.	A	B	C	D	E	F	H	FLOW CONTROL	GAS LINE BRAZE	LIQ LINE BRAZE
TAM7A0C42H31SD TAM7A0C42H31EA	56.9	46.7	20.5	23.5	20.5	10.3	24.5	EEV	7/8	3/8



PRODUCT SPECIFICATIONS

MODEL	TAM7A0C42H31SD TAM7A0C42H31EA
RATED VOLTS/PH/HZ.	200-230/1/60
RATINGS (a)	See O.D. Specifications
INDOOR COIL — Type	Plate Fin
Rows — F.P.I.	4 — 14
Face Area (sq. ft.)	5.04
Tube Size (in.)	3/8
Refrigerant Control	EEV
Drain Conn. Size (in.) ^(b)	3/4 NPT
DUCT CONNECTIONS	See Outline Drawing
INDOOR FAN — Type	Centrifugal
Diameter-Width (In.)	11 x 10
No. Used	1
Drive — No. Speeds	Direct - Variable
CFM vs. in. w.g.	See Fan Performance Table
No. Motors — H.P.	1 — 1/2
Motor Speed RPM	Variable ECM
Volts/Ph/Hz	208-230/1/60
F.L. Amps	3.0 — 3.9 (c)
FILTER	
Filter Furnished?	No
Type Recommended	Throwaway
No.-Size-Thickness	1 — 22 x 20 — 1 in.
REFRIGERANT	R-410A
Ref. Line Connections	Brazed
Coupling or Conn. Size-in. Gas	7/8
Coupling or Conn. Size-in. Liq.	3/8
DIMENSIONS	H x W x D
Crated (In.)	57-1/4 x 25-1/4 x 23-1/2
Uncrated	56-15/16 x 23-1/2 x 21-3/4
WEIGHT	
Shipping (Lbs.)/Net (Lbs.)	162/151

(a) These Air Handlers are AHRI certified with various Split System Air Conditioners and Heat Pumps (AHRI STANDARD 210/240).

(b) 3/4" Male Plastic Pipe (Ref.:ASTM 1785-76)

(c) Check motor nameplate for actual FLA.

TAM7A0C42H31SD , TAM7A0C42H31EA											
Heater Model No.	No. of Circuits	240 Volt					208 Volt				
		Capacity		Heater Amps per Circuit	Minimum Circuit Ampacity	Maximum Overload Protection	Capacity		Heater Amps per Circuit	Minimum Circuit Ampacity	Maximum Overload Protection
		kW	BTUH				kW	BTUH			
No Heater	0	-	-	3.9 **	5	15	-	-	3.9 **	5	15
BAYEVAC04++1	1	3.84	13100	16.0	24	25	2.88	9800	13.8	21	25
BAYEVAC05++1	1	4.80	16400	20.0	29	30	3.60	12300	17.3	25	25
BAYEVAC08++1	1	7.68	26200	32.0	44	45	5.76	19700	27.7	38	40
BAYEVAC10++1	1	9.60	32800	40.0	54	60	7.20	24600	34.6	47	50
BAYEVAC10LG3	1-3 PH	9.60	32800	23.1	32	35	7.20	24600	20.0	28	30
BAYEVBC15LG3	1-3 PH	14.40	42000	34.6	47	50	10.80	36900	30.0	41	45
BAYEVBC15BK1- Circuit 1 ^(a)	2	9.60	32800	40.0	54	60	7.20	24600	34.6	47	50
BAYEVBC15BK1- Circuit 2		4.80	16400	20.0	25	25	3.60	12300	17.3	22	25
BAYEVBC20BK1- Circuit 1	2	9.60	32800	40.0	54	60	7.20	24600	34.6	47	50
BAYEVBC20BK1- Circuit 2		9.60	32800	40.0	50	50	7.20	24600	34.6	43	45

- ** Motor Amps
- See Air Handler nameplate for additional information.
- Heater model numbers may have additional suffix digits.

(a) MCA and MOP for circuit 1 contains the motor amps



TAM7A0C42 AIRFLOW PERFORMANCE													CONSTANT CFM MODE / CONSTANT TORQUE MODE																
OUTDOOR MULTIPLIER (TONS)	COOLING AIRFLOW SETTING	AIRFLOW POWER	EXTERNAL STATIC PRESSURE (Constant CFM / Constant Torque)				HEATING AIRFLOW SETTING	AIRFLOW POWER	EXTERNAL STATIC PRESSURE																				
			0.1	0.3	0.5	0.7			0.9	0.1	0.3	0.5	0.7	0.9															
2.5 tons	330 CFM/ton	CFM Watts	853 / 988 68 / 96	832 / 861 108 / 114	820 / 712 149 / 125	815 / 523 191 / 128	813 / 208 232 / 143	360 CFM/ton	CFM Watts	912 82	897 125	893 170	895 217	901 264															
	350 CFM/ton	CFM Watts	896 / 1030 76 / 107	880 / 909 119 / 126	870 / 768 162 / 137	867 / 597 162 / 141	866 / 353 250 / 144	380 CFM/ton	CFM Watts	956 92	945 137	943 185	946 234	951 283															
	370 CFM/ton	CFM Watts	939 / 1072 85 / 118	926 / 956 130 / 139	920 / 823 176 / 151	918 / 665 222 / 155	918 / 458 268 / 155	400 CFM/ton	CFM Watts	1000 102	992 151	992 201	997 253	1002 304															
	390 CFM/ton	CFM Watts	983 / 1115 95 / 131	973 / 1003 143 / 152	969 / 877 191 / 165	968 / 729 240 / 170	969 / 546 288 / 169	420 CFM/ton	CFM Watts	1044 114	1040 166	1042 219	1047 273	1052 325															
	330 CFM/ton	CFM Watts	996 / 1128 99 / 135	987 / 1017 147 / 156	984 / 892 196 / 170	984 / 748 246 / 175	983 / 570 294 / 174	360 CFM/ton	CFM Watts	1071 122	1069 175	1072 230	1078 285	1082 339															
	350 CFM/ton	CFM Watts	1049 / 1180 112 / 152	1043 / 1074 164 / 174	1044 / 956 217 / 189	1045 / 821 269 / 196	1045 / 662 320 / 194	380 CFM/ton	CFM Watts	1126 138	1127 195	1132 254	1139 312	1142 368															
3 tons	370 CFM/ton	CFM Watts	1101 / 1233 127 / 171	1100 / 1132 183 / 195	1103 / 1019 239 / 210	1106 / 893 294 / 218	1107 / 747 348 / 217	400 CFM/ton	CFM Watts	1181 157	1186 218	1193 280	1200 341	1201 399															
	390 CFM/ton	CFM Watts	1156 / 1288 144 / 192	1159 / 1190 203 / 217	1164 / 1083 264 / 234	1167 / 964 322 / 342	1168 / 828 379 / 242	420 CFM/ton	CFM Watts	1239 177	1247 243	1256 309	1261 373	1259 432															
	330 CFM/ton	CFM Watts	1142 / 1274 140 / 187	1143 / 1175 198 / 211	1148 / 1067 257 / 228	1152 / 946 315 / 236	1152 / 808 370 / 236	360 CFM/ton	CFM Watts	1239 177	1247 243	1256 309	1261 373	1259 432															
	350 CFM/ton	CFM Watts	1208 / 1340 162 / 214	1212 / 1245 224 / 239	1220 / 1142 288 / 257	1224 / 1028 350 / 267	1222 / 901 407 / 268	380 CFM/ton	CFM Watts	1308 205	1319 276	1329 346	1331 412	1323 470															
	370 + CFM/ton	CFM Watts	1274 / 1408 187 / 245	1283 / 1317 254 / 272	1293 / 1218 323 / 291	1295 / 1110 387 / 301	1289 / 991 445 / 303	400 CFM/ton	CFM Watts	1381 237	1394 313	1401 386	1398 452	1332 475															
	390 CFM/ton	CFM Watts	1344 / 1479 215 / 280	1357 / 1390 289 / 308	1366 / 1295 361 / 328	1364 / 1192 427 / 340	1345 / 1080 479 / 343	420 CFM/ton	CFM Watts	1456 275	1468 355	1471 429	1443 481	1323 470															
4 tons	330 CFM/ton	CFM Watts	1299 / 1457 196 / 268	1309 / 1368 266 / 296	1318 / 1272 336 / 316	1321 / 1167 401 / 327	1313 / 1053 459 / 330	360 CFM/ton	CFM Watts	1423 258	1436 337	1441 410	1434 472	1326 472															
	350 CFM/ton	CFM Watts	1380 / 1538 232 / 312	1394 / 1542 307 / 340	1401 / 1360 381 / 361	1398 / 1260 447 / 374	1339 / 1153 477 / 378	380 CFM/ton	CFM Watts	1511 304	1520 386	1517 459	1436 477	1317 466															
	370 CFM/ton	CFM Watts	1466 / 1618 273 / 359	1479 / 1534 354 / 389	1481 / 1445 428 / 411	1451 / 1350 482 / 425	1327 / 1248 470 / 429	400 CFM/ton	CFM Watts	1598 356	1599 437	1536 472	1426 470	1308 461															
	390 CFM/ton	CFM Watts	1553 / 1693 320 / 409	1561 / 1611 403 / 439	1544 / 1525 470 / 462	1438 / 1432 475 / 476	1315 / 1333 465 / 481	420 CFM/ton	CFM Watts	1679 409	1620 451	1534 471	1417 464	1301 456															
	<ul style="list-style-type: none"> † Factory Setting Status LED will blink once per 100 CFM requested. In torque mode, actual airflow may be lower. Torque mode will reduce airflow when static is above approximately 0.35" water column. All heating modes default to Constant CFM. Cooling airflow values are with wet coil, no filter 													BAYEVC04BK1		BAYEVC04LG1		BAYEVC08BK1		BAYEVC08LG1		BAYEVC10BK1		BAYEVC10LG3		BAYEVC15BK1		BAYEVC20BK1	
	MINIMUM HEATER AIRFLOW CFM — HEATER MATRIX													978/1093		1035/1380		920/1093		1035/1438		1150/1495		1380/1610					
WITHOUT HEAT PUMP / WITH HP — SEE AIR HANDLER NAMEPLATE																													
Note: Minimum auxiliary heating airflow is automatically configured by the air handler model and the auxiliary heater model number. This is not field adjustable.																													



Features and Benefits

- Unique cabinet design
 - 2% or less air leakage
 - Precision applied — durable door seals
 - Specially designed air seal around refrigerant, condensate and conduit connections
 - Double wall foamed cabinet system
 - R-4.2 Insulating Value (Avg Insulating Value R-8.2)
 - No loose fiber design
 - Smooth cleanable interior design
 - Sweat eliminating design
 - Composite foamed cabinet doors
 - Water proof cabinet design
 - Integrated horizontal drain pans
 - Modular cabinet
- Multi-position up/down flow horizontal left/right
- Side return option (sold as accessory)
- Control board protection pocket built into cabinet wall
- Pre-marked Conduit Connection Locations
- Alert port to view control board codes without door removal
- Alert code notification
- Low voltage terminal connection point
- Phillips head door fasteners
- **Vortica®** blower with polarized plug connections and integrated slide deck for easy removal
- Aluminum coil with integrated slide deck for easy removal and polarized plug connections on coil EEV
- Patented enhanced coil fin
- Electronic Expansion Valve (EEV) with low ambient and low superheat compressor protection
- Dual refrigerant compatible as shipped
- Slide in electric heaters with polarized plug connections (sold as accessory)
- Slide in hot water coils with polarized plug connections (sold as accessory)
- UVC light kit with safety switch and polarized plug connections (sold as accessory)
- Labeled panels and connections
- Molded in 1" standard filter rail
- Variable speed ECM motor
- Soft start fan motor operation
- **Comfort R™** mode
- Built in fan delay modes
- Maximum width of 23.5"
- Compact 20.8" depth with doors removed
- Fused 24v power
- Safety door switch
- **5 Year Warranty**
- **10 Year Warranty Registered**
- **Optional Extended Warranty Available**



Trane optimizes the performance of homes and buildings around the world. A business of Ingersoll Rand, the leader in creating and sustaining safe, comfortable and energy efficient environments, Trane offers a broad portfolio of advanced controls and HVAC systems, comprehensive building services, and parts. For more information, visit www.Trane.com.

Trane has a policy of continuous product and product data improvements and reserves the right to change design and specifications without notice.

©2013 Trane

TAM7A0C42-SUB-1J-EN 20 Aug 2014

Supersedes TAM7A0C42-SUB-1H-EN (April 2014)

