



Product Data

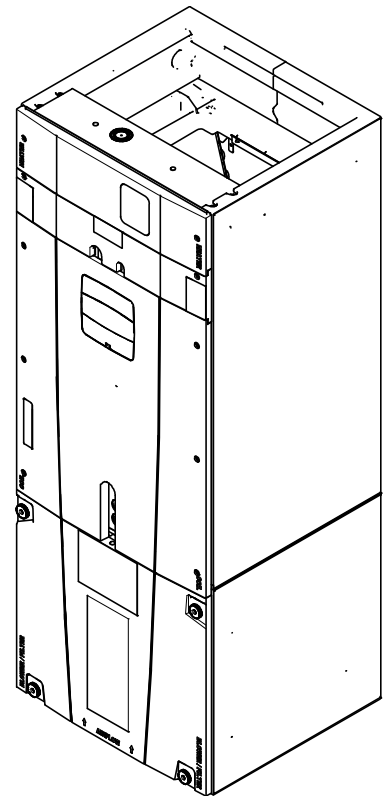
Variable Speed Modular Multi-position Air Handlers 2–5 Tons

Black Epoxy Coils

TAM7A0A24H21EA
TAM7A0B30H21EA
TAM7A0C36H31EA
TAM7A0C42H31EA
TAM7A0C48H41EA
TAM7B0C60H51EA

Standard Coils

TAM7A0A24H21SD
TAM7A0B30H21SD
TAM7A0C36H31SD
TAM7A0C42H31SD
TAM7A0C48H41SD
TAM7B0C60H51SC





Features and Benefits

- Unique cabinet design
 - 2% or less air leakage
 - Precision applied — durable door seals
 - Specially designed air seal around refrigerant, condensate and conduit connections
 - Double wall foamed cabinet system
 - R-4.2 Insulating Value (Avg Insulating Value R-8.2)
 - No loose fiber design
 - Smooth cleanable interior design
 - Sweat eliminating design
 - Composite foamed cabinet doors
 - Water proof cabinet design
 - Integrated horizontal drain pans
 - Modular cabinet
- Multi-position up/down flow horizontal left/right
- Side return option (sold as accessory)
- Control board protection pocket built into cabinet wall
- Pre-marked Conduit Connection Locations
- Alert port to view control board codes without door removal
- Alert code notification
- Low voltage terminal connection point
- Phillips head door fasteners
- **Vortica®** blower with polarized plug connections and integrated slide deck for easy removal
- Aluminum coil with integrated slide deck for easy removal and polarized plug connections on coil EEV
- Patented enhanced coil fin
- Electronic Expansion Valve (EEV) with low ambient and low superheat compressor protection
- Dual refrigerant compatible as shipped
- Slide in electric heaters with polarized plug connections (sold as accessory)
- Slide in hot water coils with polarized plug connections (sold as accessory)
- UVC light kit with safety switch and polarized plug connections (sold as accessory)
- Labeled panels and connections
- Molded in 1" standard filter rail
- Variable speed ECM motor
- Soft start fan motor operation
- **Comfort R™** mode
- Built in fan delay modes
- Maximum width of 23.5"
- Compact 20.8" depth with doors removed
- Fused 24v power
- Safety door switch
- **5 Year Warranty**
- **10 Year Warranty Registered**
- **Optional Extended Warranty Available**

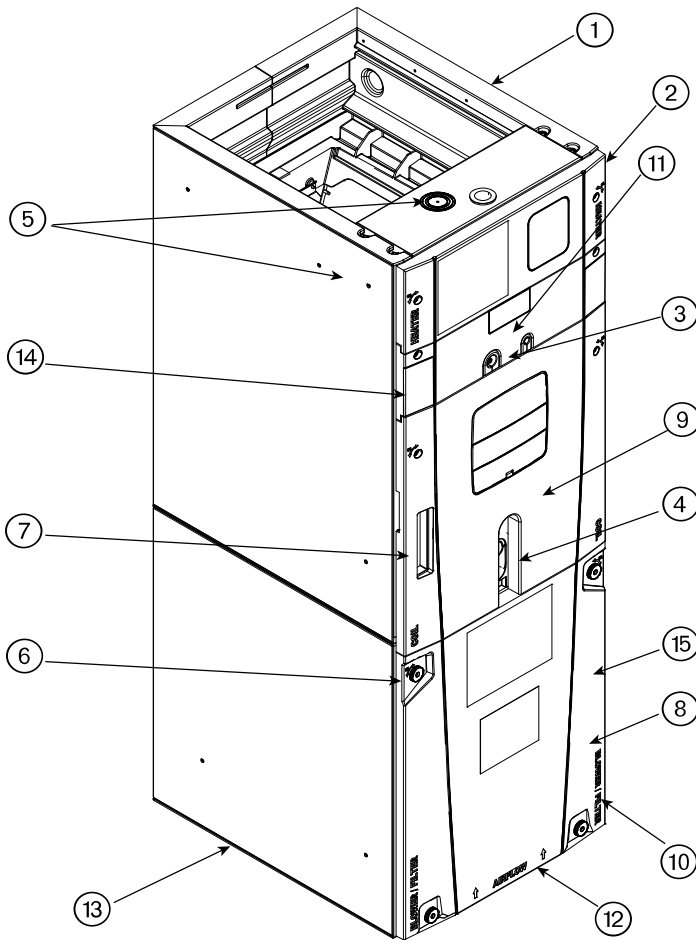


Optional Equipment

Accessory Number	Description	Fits Cabinet Size
BAYEVAC04BK1	Electric Heater, 4kW, Breaker, RS-485 Control, 1 Ph	A to C
BAYEVAC04LG1	Electric Heater, 4kW, Lugs, RS-485 Control, 1 Ph	A to C
BAYEVAC05BK1	Electric Heater, 5kW, Breaker, RS-485 Control, 1 Ph	A to C
BAYEVAC05LG1	Electric Heater, 5kW, Lugs, RS-485 Control, 1 Ph	A to C
BAYEVAC08BK1	Electric Heater, 8kW, Breaker, RS-485 Control, 1 Ph	A to C
BAYEVAC08LG1	Electric Heater, 8kW, Lugs, RS-485 Control, 1 Ph	A to C
BAYEVAC10BK1	Electric Heater, 10kW, Breaker, RS-485 Control, 1 Ph	A to C
BAYEVAC10LG1	Electric Heater, 10kW, Lugs, RS-485 Control, 1 Ph	A to C
BAYEVC15BK1	Electric Heater, 15kW, Breaker, RS-485 Control, 1 Ph	B to C
BAYEVC20BK1	Electric Heater, 20kW, Breaker, RS-485 Control, 1 Ph	C
BAYEVCC25BK1	Electric Heater, 25kW, Breaker, RS-485 Control, 1 Ph	C
BAYEVAC10LG3	Electric Heater, 10kW, Lugs, RS-485 Control, 3 Ph	A to C
BAYEVC15LG3	Electric Heater, 15kW, Lugs, RS-485 Control, 3 Ph	B to C
BAYSUPFLGAA	Supply Duct Flange A	A
BAYSUPFLGBA	Supply Duct Flange B	B
BAYSUPFLGCA	Supply Duct Flange C	C
BAYRETFLGAA	Return Duct Flange A	A
BAYRETFLGBA	Return Duct Flange B	B
BAYRETFLGCA	Return Duct Flange C	C
BAYSRKIT100A	Side Return Kit	A to C
BAYFLR1620A	High Velocity Filter Kit, 16" x 20" x 1" (10 filters)	A
BAYFLR2020A	High Velocity Filter Kit, 20" x 20" x 1" (10 filters)	B
BAYFLR2220A	High Velocity Filter Kit, 22" x 20" x 1" (10 filters)	C
TASB175SB	Plenum Stand with integrated sound baffle A	A
TASB215SB	Plenum Stand with integrated sound baffle B	B
TASB235SB	Plenum Stand with integrated sound baffle C	C
MITISRKIT01A	Side Return Kit with 16" x 20" Filter	A to C
BAYFRKIT175	Front Return Kit for 17.5" Cabinet	A
BAYFRKIT210	Front Return Kit for 21.0" Cabinet	B
BAYFRKIT235	Front Return Kit for 23.5" Cabinet	C
BAYBAFKT175A	Sound Baffle Kit for 17.5" Cabinet	A
BAYBAFKT215A	Sound Baffle Kit for 21.0" Cabinet	B
BAYBAFKT235A	Sound Baffle Kit for 23.5" Cabinet	C
TASSBK175	Sound Baffle Kit for 17.5" Cabinet	A
TASSBK210	Sound Baffle Kit for 21.0" Cabinet	B
TASSBK235	Sound Baffle Kit for 23.5" Cabinet	C
BAYICKSKIT01A	Internal Condensate Switch Kit	A to C
BAYHHKIT001A	Horizontal Hanger Kit	A to C
BAYUVCLK001A	UV Lights	A to C
BAYLVKIT100A	Low Voltage Conduit Entry Kit	A to C
BAYSPEKT200A	Single Power Entry Kit	A to C
BAYWVA05SC1AA	Hydronic Coil — 50,000 BTUH — Slide-in with control	A to A
BAYWVB07SC1AA	Hydronic Coil — 70,000 BTUH — Slide-in with control	B to B
BAYWVCC08SC1AA	Hydronic Coil — 80,000 BTUH — Slide-in with control	C to C
BAYWACC11SC1AA	Hydronic Coil — 100,000 BTUH — Add on	C to C
BAYWVBRD485A	RS-485 Control for BAYWACC11SC1AA	C to C
BAYINSKT175A	Solcoustic® Liner Kit for 17.5" cabinet	A
BAYINSKT215A	Solcoustic® Liner Kit for 21.5" cabinet	B
BAYINSKT235A	Solcoustic® Liner Kit for 23.5" cabinet	C
BAYCNDPIP01A	3/4" PVC Threaded Pipe Kit foam Seal (10 per box)	A to C



Unique Cabinet Design Features and Benefits



1	Unique Cabinet Design
	— Double wall foamed cabinet system
	— Waterproof Cabinet Design
	— R-4.2 Insulating Value (Avg Insulating Value R-8.2)
	— Composite Foamed Cabinet Doors
	— Sweat Eliminating Cabinet Design
	— Loose Fiber Eliminating Design
	— Smooth Cleanable Cabinet Design
2	Precision Durable Door Seals
3	Refrigeration Connections
4	Condensate Connections
5	Conduit Connection Locations
	— Dimples or target to mark Conduit Connection locations on Left, Right, and Top
6	Easy access large thumb screws
7	Alert Code Viewport
	— Alert codes can be Viewed Without Door Removal
	— Control Protection Pocket
8	Vortica™ Blower and Deck
	— Polarized Plug on Blower
9	All Aluminum Coil
	— Integrated Slide Deck for Easy Removal
	— Polarized Plug connections on Coil EEV
	— Patented Enhanced Coil Fin
10	Labeled Panels and Connections
11	Electronic Expansion Valve (EEV)
	— Low Ambient and Low Superheat Protection
	— Dual Refrigerant <u>Compatible</u> as Shipped
12	Maximum width is 23.5"
13	Compact 20.8" Depth with Doors Removed
14	Integrated Horizontal Drain Pans
15	Safety Door Switch
	— Fused 24V Power
16	Modular Cabinet



Product Specifications

MODEL	TAM7A0A24H21SD TAM7A0A24H21EA	TAM7A0B30H21SD TAM7A0B30H21EA	TAM7A0C36H31SD TAM7A0C36H31EA
RATED VOLTS/PH/HZ.	200-230/1/60	200-230/1/60	200-230/1/60
RATINGS (a)	See O.D. Specifications	See O.D. Specifications	See O.D. Specifications
INDOOR COIL — Type	Plate Fin	Plate Fin	Plate Fin
Rows — F.P.I.	3 - 14	3 - 14	3 - 14
Face Area (sq. ft.)	3.67	5.04	5.50
Tube Size (in.)	3/8	3/8	3/8
Refrigerant Control	EEV	EEV	EEV
Drain Conn. Size (in.) ^(b)	3/4 NPT	3/4 NPT	3/4 NPT
DUCT CONNECTIONS	See Outline Drawing	See Outline Drawing	See Outline Drawing
INDOOR FAN — Type	Centrifugal	Centrifugal	Centrifugal
Diameter-Width (In.)	11 X 8	11 X 10	11 X 10
No. Used	1	1	1
Drive — No. Speeds	Direct - Variable	Direct - Variable	Direct - Variable
CFM vs. in. w.g.	See Fan Performance Table	See Fan Performance Table	See Fan Performance Table
No. Motors — H.P.	1 - 1/2	1 - 1/2	1 - 1/2
Motor Speed RPM	Variable ECM	Variable ECM	Variable ECM
Volts/Ph/Hz	208-230/1/60	208-230/1/60	208-230/1/60
F.L. Amps	3.0 — 3.9 (c)	3.0 — 3.9 (c)	3.0 — 3.9 (c)
FILTER			
Filter Furnished?	No	No	No
Type Recommended	Throwaway	Throwaway	Throwaway
No.-Size-Thickness	1 - 16 X 20 - 1 in.	1 - 20 X 20 - 1 in.	1 - 22 X 20 - 1 in.
REFRIGERANT	R-410A	R-410A	R-410A
Ref. Line Connections	Brazed	Brazed	Brazed
Coupling or Conn. Size-in. Gas	3/4	3/4	7/8
Coupling or Conn. Size-in. Liq.	3/8	3/8	3/8
DIMENSIONS	H x W x D	H x W x D	H x W x D
Crated (In.)	51.5 x 19.0 x 23.5	56.5 x 23 x 23.5	57.25 x 25.25 x 23.5
Uncrated	49.9 x 17.5 x 21.75	55.7 x 21.3 x 21.75	56.9 x 23.5 x 21.75
WEIGHT			
Shipping (Lbs.)/Net (Lbs.)	127/116	150/138	157/146

(a) These Air Handlers are AHRI certified with various Split System Air Conditioners and Heat Pumps (AHRI STANDARD 210/240).

(b) 3/4" Male Plastic Pipe (Ref.:ASTM 1785-76)

(c) Check motor nameplate for actual FLA.



Product Specifications

MODEL	TAM7A0C42H31SD TAM7A0C42H31EA	TAM7A0C48H41SD TAM7A0C48H41EA	TAM7B0C60H51SC TAM7B0C60H51EA
RATED VOLTS/PH/HZ.	200-230/1/60	200-230/1/60	200-230/1/60
RATINGS (a)	See O.D. Specifications	See O.D. Specifications	See O.D. Specifications
INDOOR COIL – Type	Plate Fin	Plate Fin	Plate Fin
Rows — F.P.I.	4 - 14	4 - 14	4 - 14
Face Area (sq. ft.)	5.04	5.96	5.96
Tube Size (in.)	3/8	3/8	3/8
Refrigerant Control	EEV	EEV	EEV
Drain Conn. Size (in.) ^(b)	3/4 NPT	3/4 NPT	3/4 NPT
DUCT CONNECTIONS	See Outline Drawing	See Outline Drawing	See Outline Drawing
INDOOR FAN – Type	Centrifugal	Centrifugal	Centrifugal
Diameter-Width (In.)	11 X 10	11 X 10	11 X 10
No. Used	1	1	1
Drive — No. Speeds	Direct - Variable	Direct - Variable	Direct - Variable
CFM vs. in. w.g.	See Fan Performance Table	See Fan Performance Table	See Fan Performance Table
No. Motors — H.P.	1 - 1/2	1 - 3/4	1 - 1
Motor Speed RPM	Variable ECM	Variable ECM	Variable ECM
Volts/Ph/Hz	208-230/1/60	208-230/1/60	208-230/1/60
F.L. Amps	3.0 — 3.9 (c)	4.2	5.5
FILTER			
Filter Furnished?	No	No	No
Type Recommended	Throwaway	Throwaway	Throwaway
No.-Size-Thickness	1 - 22 X 20 - 1 in.	1 - 22 X 20 - 1 in.	1 - 22 X 20 - 1 in.
REFRIGERANT	R-410A	R-410A	R-410A
Ref. Line Connections	Brazed	Brazed	Brazed
Coupling or Conn. Size-in. Gas	7/8	7/8	7/8
Coupling or Conn. Size-in. Liq.	3/8	3/8	3/8
DIMENSIONS	H x W x D	H x W x D	H x W x D
Crated (In.)	57.25 x 25.25 x 23.5	62.75 x 25.25 x 23.5	62.75 x 25.25 x 23.5
Uncrated	56.9 x 23.5 x 21.75	61.7 x 23.5 x 21.75	61.7 x 23.5 x 21.75
WEIGHT			
Shipping (Lbs.)/Net (Lbs.)	162/151	175/163	175/163

(a) These Air Handlers are AHRI certified with various Split System Air Conditioners and Heat Pumps (AHRI STANDARD 210/240).

(b) 3/4" Male Plastic Pipe (Ref.:ASTM 1785-76)

(c) Check motor nameplate for actual FLA



TAM7A0A24 AIRFLOW PERFORMANCE										CONSTANT CFM MODE / CONSTANT TORQUE MODE									
OUTDOOR MULTIPLIER (TONS)	EXTERNAL STATIC PRESSURE (Constant CFM / Constant Torque)					AIRFLOW POWER	COOLING AIRFLOW SETTING	AIRFLOW POWER	HEATING AIRFLOW SETTING	AIRFLOW POWER	EXTERNAL STATIC PRESSURE								
	0.1	0.3	0.5	0.7	0.9						0.1	0.3	0.5	0.7	0.9				
1.5 tons	360 CFM/ton	547 / 559	548 / 407	547 / NA	541 / NA	CFM	360	390	CFM	586	599	600	599	595					
	380 CFM/ton	583 / 593	587 / 464	588 / 167	581 / NA	Watts	43 / 65	410	CFM	46	80	115	153	192					
	400 CFM/ton	618 / 626	624 / 513	625 / 325	618 / NA	CFM	49 / 71	430	CFM	53	88	124	163	202					
	420 CFM/ton	82 / 85	119 / 96	158 / 101	196 / NA	Watts	605 / 705	450	CFM	650	665	669	672	660					
	420 CFM/ton	90 / 93	128 / 105	168 / 112	207 / NA	Watts	636 / 731	450	CFM	681	696	703	704	696					
2 tons †	360 CFM/ton	743 / 746	754 / 666	756 / 563	748 / 428	CFM	723 / 809	390	CFM	780	800	809	811	802					
	380 CFM/ton	782 / 784	793 / 710	796 / 617	788 / 500	Watts	75 / 101	410	CFM	94	137	182	227	268					
	400 † CFM/ton	128 / 131	172 / 146	216 / 159	259 / 168	Watts	761 / 843	410	CFM	818	838	848	851	842					
	420 CFM/ton	820 / 821	832 / 751	835 / 666	827 / 561	Watts	86 / 113	430	CFM	106	151	198	244	287					
	420 CFM/ton	141 / 144	187 / 161	233 / 174	276 / 183	Watts	799 / 877	450	CFM	856	876	887	889	881					
2.5 tons	360 CFM/ton	914 / 930	927 / 869	930 / 796	923 / 796	CFM	836 / 911	390	CFM	894	913	925	927	920					
	380 CFM/ton	179 / 189	229 / 207	278 / 222	324 / 222	Watts	109 / 139	450	CFM	134	183	233	282	327					
	400 CFM/ton	962 / 976	974 / 918	978 / 849	971 / 766	Watts	892 / 979	450	CFM	964	986	997	1000	992					
	420 CFM/ton	201 / 211	253 / 230	304 / 244	351 / 255	Watts	130 / 168	410	CFM	164	218	271	322	370					
	420 CFM/ton	1009 / 1023	1022 / 967	1026 / 901	1019 / 821	Watts	939 / 1024	410	CFM	1013	1034	1045	1049	1040					
3 tons	360 CFM/ton	225 / 236	279 / 255	332 / 270	380 / 280	CFM	986 / 1070	430	CFM	188	244	299	353	400					
	400 CFM/ton	1058 / 1072	1071 / 1018	1074 / 953	1066 / 877	Watts	170 / 215	450	CFM	1063	1083	1095	1097	1089					
	420 CFM/ton	251 / 264	308 / 282	362 / 297	411 / 307	Watts	1035 / 1118	450	CFM	214	273	331	385	434					
	360 CFM/ton	1088 / 1102	1101 / 1048	1103 / 985	1095 / 910	Watts	1065 / 1148	450	CFM	1114	1135	1145	1145	1135					
	380 CFM/ton	269 / 282	327 / 301	382 / 315	431 / 325	Watts	194 / 242	390	CFM	243	305	365	420	469					
3 tons	360 CFM/ton	1149 / 1164	1160 / 1111	1161 / 1050	1151 / 978	CFM	1065 / 1148	410	CFM	1160	1181	1190	1189	1157					
	380 CFM/ton	307 / 322	367 / 341	423 / 355	472 / 364	Watts	1126 / 1209	410	CFM	1225	1244	1249	1230	1146					
	400 CFM/ton	1211 / 1227	1220 / 1175	1218 / 1115	1164 / 1046	Watts	244 / 301	430	CFM	317	384	444	486	477					
	420 CFM/ton	350 / 368	412 / 386	467 / 399	483 / 408	Watts	1190 / 1271	430	CFM	1291	1305	1298	1217	1135					
	420 CFM/ton	1273 / 1289	1278 / 1239	1237 / 1180	1151 / 1113	Watts	285 / 347	450	CFM	368	434	486	476	468					
TAM7A0A24	638/713	638/900	675(a)/900	600/713															

- † Factory Setting
- Status LED will blink once per 100 CFM requested. In torque mode, actual airflow may be lower.
- Torque mode will reduce airflow when static is above approximately 0.3" water column.
- All heating modes default to Constant CFM.
- Cooling airflow values are with wet coil, no filter

MINIMUM HEATER AIRFLOW CFM — HEATER MATRIX

MODEL NO.	BAYEVAC04BK1 BAYEVAC04LG1 BAYEVAC05BK1 BAYEVAC05LG1	BAYEVAC08BK1 BAYEVAC08LG1	BAYEVAC10BK1 BAYEVAC10LG1	BAYEVAC10LG3	BAYEVBC15BK1 BAYEVBC15LG3	BAYEVBC20BK1
TAM7A0A24	638/713	638/900	675(a)/900	600/713	-	-

WITHOUT HEAT PUMP / WITH HP — SEE AIR HANDLER NAMEPLATE FOR APPROVED COMBINATIONS

Note: Minimum auxiliary heating airflow is automatically configured by the air handler model and the auxiliary heater model number. This is not field adjustable.

(a) Heater not qualified for 208V when installed in horizontal left position without Heat Pump

TAM7A0C36 AIRFLOW PERFORMANCE CONSTANT CFM MODE / CONSTANT TORQUE MODE																						
OUTDOOR MULTIPLIER (TONS)	EXTERNAL STATIC PRESSURE (Constant CFM / Constant Torque)				HEATING AIRFLOW SETTING	AIRFLOW POWER	EXTERNAL STATIC PRESSURE															
	0.1	0.3	0.5	0.7			0.9	0.1	0.3	0.5	0.7	0.9										
2 tons	COOLING AIRFLOW SETTING	350 CFM/ton	370 CFM/ton	390 CFM/ton	410 CFM/ton	350 CFM	370 CFM	390 CFM	410 CFM	400 CFM/ton	420 CFM/ton	440 CFM/ton	450 CFM/ton	400 CFM/ton	420 CFM/ton	440 CFM/ton	450 CFM/ton	400 CFM/ton	420 CFM/ton	440 CFM/ton	450 CFM/ton	
	AIRFLOW POWER	724 / 858 Watts	759 / 892 Watts	795 / 924 Watts	830 / 957 Watts	694 / 530 Watts	738 / 585 Watts	780 / 635 Watts	822 / 683 Watts	877 / 776 Watts	698 / 19	742 / 84	786 / 213	827 / 329	698 / 19	742 / 84	786 / 213	827 / 329	698 / 19	742 / 84	786 / 213	827 / 329
	AIRFLOW POWER	44 / 63 Watts	49 / 69 Watts	54 / 75 Watts	60 / 82 Watts	111 / 85 Watts	120 / 93 Watts	129 / 102 Watts	139 / 111 Watts	153 / 130 Watts	148 / 90	158 / 98	169 / 107	180 / 117	148 / 90	158 / 98	169 / 107	180 / 117	148 / 90	158 / 98	169 / 107	180 / 117
	AIRFLOW POWER	77 / 107 Watts	87 / 105 Watts	97 / 113 Watts	107 / 126 Watts	167 / 142 Watts	177 / 149 Watts	187 / 156 Watts	197 / 165 Watts	211 / 180 Watts	213 / 151	215 / 151	217 / 151	219 / 151	213 / 151	215 / 151	217 / 151	219 / 151	213 / 151	215 / 151	217 / 151	219 / 151
	AIRFLOW POWER	968 / 1110 Watts	1012 / 1153 Watts	1056 / 1299 Watts	1100 / 1446 Watts	977 / 883 Watts	1028 / 935 Watts	1079 / 841 Watts	1130 / 700 Watts	1181 / 565 Watts	983 / 762	1034 / 820	1085 / 700	1136 / 565	983 / 762	1034 / 820	1085 / 700	1136 / 565	983 / 762	1034 / 820	1085 / 700	1136 / 565
	AIRFLOW POWER	102 / 137 Watts	109 / 148 Watts	116 / 154 Watts	123 / 161 Watts	206 / 177 Watts	216 / 186 Watts	226 / 196 Watts	236 / 206 Watts	246 / 216 Watts	257 / 189	267 / 199	277 / 209	287 / 219	257 / 189	267 / 199	277 / 209	287 / 219	257 / 189	267 / 199	277 / 209	287 / 219
2.5 tons	COOLING AIRFLOW SETTING	370 CFM/ton	390 CFM/ton	410 CFM/ton	430 CFM/ton	924 / 952	971 / 999	1020 / 1047	1069 / 1097	1118 / 1146	932 / 702	983 / 762	1034 / 820	1085 / 700	932 / 702	983 / 762	1034 / 820	1085 / 700	932 / 702	983 / 762	1034 / 820	1085 / 700
	AIRFLOW POWER	1090 / 1229 Watts	1165 / 1313 Watts	1240 / 1384 Watts	1315 / 1460 Watts	1114 / 1024 Watts	1176 / 1087 Watts	1238 / 1152 Watts	1300 / 1025 Watts	1362 / 1040 Watts	1122 / 916	1184 / 984	1246 / 1051	1308 / 1025 Watts	1122 / 916	1184 / 984	1246 / 1051	1308 / 1025 Watts	1122 / 916	1184 / 984	1246 / 1051	1308 / 1025 Watts
	AIRFLOW POWER	116 / 154 Watts	123 / 161 Watts	130 / 167 Watts	137 / 174 Watts	227 / 196 Watts	237 / 206 Watts	247 / 216 Watts	257 / 206 Watts	267 / 216 Watts	282 / 209	292 / 219	302 / 229	312 / 239	282 / 209	292 / 219	302 / 229	312 / 239	282 / 209	292 / 219	302 / 229	312 / 239
	AIRFLOW POWER	1145 / 1285 Watts	1204 / 1343 Watts	1263 / 1401 Watts	1322 / 1460 Watts	1176 / 1087 Watts	1238 / 1152 Watts	1300 / 1025 Watts	1362 / 1040 Watts	1424 / 1018 Watts	1184 / 984	1246 / 1051	1308 / 1025 Watts	1370 / 1040 Watts	1184 / 984	1246 / 1051	1308 / 1025 Watts	1370 / 1040 Watts	1184 / 984	1246 / 1051	1308 / 1025 Watts	1370 / 1040 Watts
	AIRFLOW POWER	132 / 173 Watts	140 / 180 Watts	148 / 187 Watts	156 / 196 Watts	251 / 218 Watts	261 / 228 Watts	271 / 238 Watts	281 / 248 Watts	291 / 258 Watts	309 / 231	319 / 241	329 / 251	339 / 261	309 / 231	319 / 241	329 / 251	339 / 261	309 / 231	319 / 241	329 / 251	339 / 261
	AIRFLOW POWER	150 / 195 Watts	159 / 193 Watts	168 / 191 Watts	177 / 189 Watts	274 / 239 Watts	284 / 249 Watts	294 / 259 Watts	304 / 269 Watts	314 / 279 Watts	337 / 256	347 / 266	357 / 276	367 / 286	337 / 256	347 / 266	357 / 276	367 / 286	337 / 256	347 / 266	357 / 276	367 / 286
3 tons †	COOLING AIRFLOW SETTING	390 CFM/ton	410 CFM/ton	430 CFM/ton	450 CFM/ton	1291 / 1317	1338 / 1364	1385 / 1411	1432 / 1458	1479 / 1505	1311 / 1126	1362 / 1188	1413 / 1214	1464 / 1245	1311 / 1126	1362 / 1188	1413 / 1214	1464 / 1245	1311 / 1126	1362 / 1188	1413 / 1214	1464 / 1245
	AIRFLOW POWER	1269 / 1408 Watts	1342 / 1481 Watts	1419 / 1555 Watts	1496 / 1640 Watts	1307 / 1223 Watts	1370 / 1206 Watts	1433 / 1245 Watts	1496 / 1379 Watts	1559 / 1468 Watts	1311 / 1126	1370 / 1206	1433 / 1245 Watts	1496 / 1379 Watts	1311 / 1126	1370 / 1206	1433 / 1245 Watts	1496 / 1379 Watts	1311 / 1126	1370 / 1206	1433 / 1245 Watts	1496 / 1379 Watts
	AIRFLOW POWER	172 / 222 Watts	182 / 231 Watts	192 / 240 Watts	202 / 249 Watts	307 / 270 Watts	317 / 280 Watts	327 / 290 Watts	337 / 299 Watts	347 / 309 Watts	370 / 285	380 / 295	390 / 305	400 / 315	370 / 285	380 / 295	390 / 305	400 / 315	370 / 285	380 / 295	390 / 305	400 / 315
	AIRFLOW POWER	149 / 193 Watts	159 / 191 Watts	169 / 189 Watts	179 / 187 Watts	274 / 239 Watts	284 / 249 Watts	294 / 259 Watts	304 / 269 Watts	314 / 279 Watts	337 / 256	347 / 266	357 / 276	367 / 286	337 / 256	347 / 266	357 / 276	367 / 286	337 / 256	347 / 266	357 / 276	367 / 286
	AIRFLOW POWER	1199 / 1338 Watts	1269 / 1408 Watts	1342 / 1481 Watts	1419 / 1555 Watts	1307 / 1223 Watts	1370 / 1206 Watts	1433 / 1245 Watts	1496 / 1379 Watts	1559 / 1468 Watts	1311 / 1126	1370 / 1206	1433 / 1245 Watts	1496 / 1379 Watts	1311 / 1126	1370 / 1206	1433 / 1245 Watts	1496 / 1379 Watts	1311 / 1126	1370 / 1206	1433 / 1245 Watts	1496 / 1379 Watts
	AIRFLOW POWER	149 / 193 Watts	159 / 191 Watts	169 / 189 Watts	179 / 187 Watts	274 / 239 Watts	284 / 249 Watts	294 / 259 Watts	304 / 269 Watts	314 / 279 Watts	337 / 256	347 / 266	357 / 276	367 / 286	337 / 256	347 / 266	357 / 276	367 / 286	337 / 256	347 / 266	357 / 276	367 / 286

- † Factory Setting
- Status LED will blink once per 100 CFM requested. In torque mode, actual airflow may be lower.
- Torque mode will reduce airflow when static is above approximately 0.35" water column.
- All heating modes default to Constant CFM.
- Cooling airflow values are with wet coil, no filter

MINIMUM HEATER AIRFLOW CFM — HEATER MATRIX							
MODEL NO.	BAYEVAC04BK1 BAYEVAC04LG1 BAYEVAC05BK1 BAYEVAC05LG1	BAYEVAC08BK1 BAYEVAC08LG1	BAYEVAC10BK1 BAYEVAC10LG1	BAYEVAC10LG3	BAYEVCB15LG3	BAYEVCB15BK1	BAYEVCB20BK1
TAM7A0C36	876/1236	876/1236	927/1236	824/979	927/1288	1030/1339	1236/1442
WITHOUT HEAT PUMP / WITH HP — SEE AIR HANDLER NAMEPLATE							

Note: Minimum auxiliary heating airflow is automatically configured by the air handler model and the auxiliary heater model number. This is not field adjustable.

TAM7A0C42 AIRFLOW PERFORMANCE CONSTANT CFM MODE / CONSTANT TORQUE MODE														
OUTDOOR MULTIPLIER (TONS)	COOLING AIRFLOW SETTING	AIRFLOW POWER	EXTERNAL STATIC PRESSURE (Constant CFM / Constant Torque)					HEATING AIRFLOW SETTING	AIRFLOW POWER	EXTERNAL STATIC PRESSURE				
			0.1	0.3	0.5	0.7	0.9			0.1	0.3	0.5	0.7	0.9
2.5 tons	330 CFM/ton	CFM Watts	853/988 68/96	832/861 108/114	820/712 149/125	815/523 191/128	813/208 232/143	360 CFM/ton	CFM Watts	912 82	897 125	893 170	895 217	901 264
	350 CFM/ton	CFM Watts	896/1030 76/107	880/909 119/126	870/768 162/137	867/597 162/141	866/353 250/144	380 CFM/ton	CFM Watts	956 92	945 137	943 185	946 234	951 283
	370 CFM/ton	CFM Watts	939/1072 85/118	926/956 130/139	920/823 176/151	918/665 222/155	918/458 268/155	400 CFM/ton	CFM Watts	1000 102	992 151	992 201	997 253	1002 304
	390 CFM/ton	CFM Watts	983/1115 95/131	973/1003 143/152	969/877 191/165	968/729 240/170	969/546 288/169	420 CFM/ton	CFM Watts	1044 114	1040 166	1042 219	1047 273	1052 325
	330 CFM/ton	CFM Watts	996/1128 99/135	987/1017 147/156	984/892 196/170	984/748 246/175	983/570 294/174	360 CFM/ton	CFM Watts	1071 122	1069 175	1072 230	1078 285	1082 339
3 tons	350 CFM/ton	CFM Watts	1049/1180 112/152	1043/1074 164/174	1044/956 217/189	1045/821 269/196	1045/662 320/194	380 CFM/ton	CFM Watts	1126 138	1127 195	1132 254	1139 312	1142 368
	370 CFM/ton	CFM Watts	1101/1233 127/171	1100/1132 183/195	1103/1019 239/210	1106/893 294/218	1107/747 348/217	400 CFM/ton	CFM Watts	1181 157	1186 218	1193 280	1200 341	1201 399
	390 CFM/ton	CFM Watts	1156/1288 144/192	1159/1190 203/217	1164/1083 264/234	1167/964 322/342	1168/828 379/242	420 CFM/ton	CFM Watts	1239 177	1247 243	1256 309	1261 373	1259 432
	330 CFM/ton	CFM Watts	1142/1274 140/187	1143/1175 198/211	1148/1067 257/228	1152/946 315/236	1152/808 370/236	360 CFM/ton	CFM Watts	1239 177	1247 243	1256 309	1261 373	1259 432
	350 CFM/ton	CFM Watts	1208/1340 162/214	1212/1245 224/239	1220/1142 288/257	1224/1028 350/267	1222/901 407/268	380 CFM/ton	CFM Watts	1308 205	1319 276	1329 346	1331 412	1323 470
3.5 tons †	370 † CFM/ton	CFM Watts	1274/1408 187/245	1283/1317 254/272	1293/1218 323/291	1295/1110 387/301	1289/991 445/303	400 CFM/ton	CFM Watts	1381 237	1394 313	1401 386	1398 452	1332 475
	390 CFM/ton	CFM Watts	1344/1479 215/280	1357/1390 289/308	1366/1295 361/328	1364/1192 427/340	1345/1080 479/343	420 CFM/ton	CFM Watts	1456 275	1468 355	1471 429	1443 481	1323 470
	330 CFM/ton	CFM Watts	1299/1457 196/268	1309/1368 266/296	1318/1272 336/316	1321/1167 401/327	1313/1053 459/330	360 CFM/ton	CFM Watts	1423 258	1436 337	1441 410	1434 475	1326 472
	350 CFM/ton	CFM Watts	1380/1538 232/312	1394/1542 307/340	1401/1360 381/361	1398/1260 447/374	1339/1153 477/378	380 CFM/ton	CFM Watts	1511 304	1520 386	1517 459	1436 477	1317 466
	370 CFM/ton	CFM Watts	1466/1618 273/359	1479/1534 354/389	1481/1445 428/411	1451/1350 482/425	1327/1248 470/429	400 CFM/ton	CFM Watts	1598 356	1599 437	1536 472	1426 470	1308 461
4 tons	390 CFM/ton	CFM Watts	1553/1693 320/409	1561/1611 403/439	1544/1525 470/462	1438/1432 475/476	1315/1333 465/481	420 CFM/ton	CFM Watts	1679 409	1620 451	1534 471	1417 464	1301 456

- Torque mode will reduce airflow when static is above approximately 0.35" water column.
- All heating modes default to Constant CFM.
- Cooling airflow values are with wet coil, no filter.

MINIMUM HEATER AIRFLOW CFM — HEATER MATRIX					
MODEL NO.	BAYEVAC04BK1 BAYEVAC04LG1 BAYEVAC05BK1 BAYEVAC05LG1	BAYEVAC10BK1 BAYEVAC10LG1	BAYEVAC10LG3	BAYEVCB15LG3	BAYEVCB20BK1
	978/1093	1035/1380	920/1093	1035/1438	1380/1610
TAM7A0C42	978/1380	1035/1380	920/1093	1035/1438	1380/1610

WITHOUT HEAT PUMP / WITH HP — SEE AIR HANDLER NAMEPLATE

Note: Minimum auxiliary heating airflow is automatically configured by the air handler model and the auxiliary heater model number. This is not field adjustable.

TAM7A0C48 AIRFLOW PERFORMANCE CONSTANT CFM MODE / CONSTANT TORQUE MODE														
OUTDOOR MULTIPLIER (TONS)	COOLING AIRFLOW SETTING	AIRFLOW POWER	EXTERNAL STATIC PRESSURE (Constant CFM / Constant Torque)				HEATING AIRFLOW SETTING	AIRFLOW POWER	EXTERNAL STATIC PRESSURE					
			0.1	0.3	0.5	0.7			0.9	0.1	0.3	0.5	0.7	0.9
3 tons	330 CFM/ton	CFM Watts	1101 / 1127 92 / 117	1017 / 1020 143 / 143	1006 / 786 232 / 173	886 / 622 195 / 137	994 / 654 270 / 174	380 CFM/ton	CFM Watts	1150 128	1155 184	1154 237	1150 286	1141 330
	350 CFM/ton	CFM Watts	1067 / 1180 106 / 132	1073 / 1078 158 / 160	1065 / 859 252 / 192	1065 / 859 252 / 192	1053 / 738 292 / 194	400 CFM/ton	CFM Watts	1204 145	1210 203	1210 259	1207 310	1199 356
	370 CFM/ton	CFM Watts	1122 / 1233 120 / 149	1129 / 1136 175 / 177	1122 / 929 274 / 212	1208 / 1029 309 / 244	1112 / 816 315 / 215	420 CFM/ton	CFM Watts	1259 162	1266 224	1267 282	1264 335	1258 384
	390 CFM/ton	CFM Watts	1177 / 1287 136 / 167	1185 / 1194 194 / 196	1180 / 996 297 / 233	1353 / 1190 377 / 305	1170 / 890 341 / 238	440 CFM/ton	CFM Watts	1314 182	1322 246	1324 307	1322 363	1316 413
	330 CFM/ton	CFM Watts	1164 / 1274 132 / 162	1171 / 1179 189 / 191	1165 / 980 291 / 227	1031 / 817 240 / 181	1156 / 872 334 / 232	380 CFM/ton	CFM Watts	1323 185	1331 250	1333 250	1331 368	1325 418
	350 CFM/ton	CFM Watts	1228 / 1336 152 / 185	1235 / 1246 212 / 215	1232 / 1056 319 / 253	1232 / 1056 319 / 253	1224 / 955 365 / 259	400 CFM/ton	CFM Watts	1388 211	1398 279	1400 343	1399 403	1395 457
3.5 tons	370 CFM/ton	CFM Watts	1292 / 1400 174 / 210	1300 / 1313 237 / 241	1299 / 1132 350 / 281	1401 / 1244 402 / 328	1292 / 1036 399 / 288	420 CFM/ton	CFM Watts	1455 240	1465 312	1468 379	1469 441	1463 497
	390 CFM/ton	CFM Watts	1356 / 1465 198 / 238	1366 / 1381 265 / 270	1367 / 1207 384 / 312	1575 / 1434 505 / 422	1361 / 1115 435 / 320	440 CFM/ton	CFM Watts	1523 272	1534 347	1538 418	1538 483	1534 542
	330 CFM/ton	CFM Watts	1315 / 1443 212 / 228	1324 / 1358 247 / 260	1323 / 1181 362 / 301	1170 / 1010 293 / 237	1316 / 1088 412 / 308	380 CFM/ton	CFM Watts	1502 262	1514 337	1518 406	1518 471	1514 529
4 tons †	350 † CFM/ton	CFM Watts	1389 / 1517 212 / 262	1399 / 1436 280 / 295	1401 / 1266 402 / 338	1401 / 1266 402 / 338	1395 / 1177 455 / 346	400 CFM/ton	CFM Watts	1582 302	1594 382	1598 454	1598 522	1591 581
	370 CFM/ton	CFM Watts	1465 / 1594 245 / 301	1476 / 1516 317 / 335	1480 / 1352 446 / 379	1600 / 1483 521 / 450	1475 / 1267 502 / 388	420 CFM/ton	CFM Watts	1664 348	1675 421	1680 508	1678 577	1669 638
	390 CFM/ton	CFM Watts	1543 / 1673 283 / 346	1555 / 1597 359 / 380	1560 / 1439 495 / 425	1793 / 1701 663 / 592	1554 / 1356 553 / 434	440 CFM/ton	CFM Watts	1748 400	1758 486	1760 565	1755 634	1708 668
	330 CFM/ton	CFM Watts	1470 / 1599 247 / 304	1481 / 1521 319 / 337	1485 / 1357 449 / 382	1309 / 1165 355 / 294	1480 / 1272 505 / 391	380 CFM/ton	CFM Watts	1695 367	1706 451	1710 528	1707 598	1697 659
	350 CFM/ton	CFM Watts	1558 / 1688 290 / 354	1570 / 1613 367 / 389	1575 / 1455 505 / 434	1575 / 1455 505 / 434	1568 / 1373 563 / 444	400 CFM/ton	CFM Watts	1790 428	1799 515	1799 594	1792 664	1700 661
	370 CFM/ton	CFM Watts	1649 / 1780 340 / 412	1661 / 1707 422 / 447	1664 / 1554 565 / 493	1793 / 1701 663 / 592	1655 / 1475 625 / 503	420 CFM/ton	CFM Watts	1885 496	1889 584	1884 662	1883 656	1683 648
4.5 tons**	390 CFM/ton	CFM Watts	1742 / 1873 397 / 477	1754 / 1801 483 / 512	1751 / 1653 630 / 558	1749 / 1749 637 / 637	1708 / 1576 666 / 567	440 CFM/ton	CFM Watts	1976 568	1973 655	1871 652	1765 643	1667 636

- † Factory Setting
- ** Not an actual OD size
- Status LED will blink once per 100 CFM requested. In torque mode, actual airflow may be lower.
- Torque mode will reduce airflow when static is above approximately 0.4" water column.
- If the air handler is applied in downflow or horizontal configurations, the airflow should not exceed 2000 CFM. Airflow above 2000 CFM could result in water blow-off.
- All heating modes default to Constant CFM.
- Cooling airflow values are with wet coil, no filter

MINIMUM HEATER AIRFLOW CFM — HEATER MATRIX					
MODEL NO.	BAYEVAC04BK1 BAYEVAC04LG1 BAYEVAC05BK1 BAYEVAC05LG1	BAYEVAC10BK1 BAYEVAC10LG1	BAYEVAC10LG3	BAYEVCB15LG3	BAYEVC15BK1 BAYEVC20BK1 BAYEVCC25BK1
TAM7A0C48	1063 / 1188	1125 / 1500	1000 / 1188	1125 / 1563	1500 / 1750 1625 / 1813
WITHOUT HEAT PUMP / WITH HP — SEE AIR HANDLER NAMEPLATE					

Note: Minimum auxiliary heating airflow is automatically configured by the air handler model and the auxiliary heater model number. This is not field adjustable.

TAM7B0C60 AIRFLOW PERFORMANCE CONSTANT CFM MODE / CONSTANT TORQUE MODE														
OUTDOOR MULTIPLIER (TONS)	COOLING AIRFLOW SETTING	AIRFLOW POWER	EXTERNAL STATIC PRESSURE (Constant CFM / Constant Torque)						HEATING AIRFLOW SETTING	AIRFLOW POWER	EXTERNAL STATIC PRESSURE			
			0.1	0.3	0.5	0.7	0.9	0.1			0.3	0.5	0.7	0.9
3.5 tons	370 CFM/ton	CFM	1316 / 1404	1328 / 1330	1328 / 1244	1320 / 1146	1308 / 1033	400	CFM	1404	1424	1426	1419	1410
		Watts	194 / 201	258 / 234	314 / 260	364 / 276	406 / 280	CFM/ton	Watts	205	275	337	391	440
	380 CFM/ton	CFM	1349 / 1435	1360 / 1362	1359 / 1278	1352 / 1183	1338 / 1074	410	CFM	1437	1455	1457	1451	1441
		Watts	207 / 213	272 / 247	329 / 273	380 / 290	422 / 295	CFM/ton	Watts	218	289	351	407	456
	390 CFM/ton	CFM	1381 / 1466	1391 / 1394	1390 / 1312	1383 / 1220	1370 / 1115	420	CFM	1467	1487	1489	1482	1474
4 tons	400 CFM/ton	Watts	220 / 225	286 / 260	344 / 287	396 / 304	439 / 310	CFM/ton	Watts	230	303	367	423	474
		CFM	1413 / 1496	1422 / 1426	1421 / 1346	1415 / 1256	1402 / 1154	430	CFM	1500	1516	1519	1515	1505
	370 CFM/ton	Watts	234 / 238	300 / 273	360 / 301	412 / 319	456 / 325	CFM/ton	Watts	244	317	382	441	491
		CFM	1485 / 1583	1493 / 1516	1493 / 1441	1486 / 1357	1475 / 1263	400	CFM	1586	1600	1604	1601	1592
	380 CFM/ton	Watts	269 / 278	337 / 314	398 / 342	452 / 362	498 / 370	CFM/ton	Watts	285	360	428	490	543
4.5 tons ***	380 CFM/ton	CFM	1521 / 1618	1529 / 1552	1528 / 1479	1522 / 1396	1511 / 1305	410	CFM	1622	1636	1640	1638	1629
		Watts	287 / 295	356 / 331	418 / 360	474 / 380	520 / 389	CFM/ton	Watts	303	379	449	512	566
	390 CFM/ton	CFM	1557 / 1654	1564 / 1589	1564 / 1516	1559 / 1436	1548 / 1347	420	CFM	1659	1672	1677	1675	1667
		Watts	306 / 313	376 / 350	440 / 379	496 / 400	544 / 409	CFM/ton	Watts	322	399	471	535	591
	400 CFM/ton	CFM	1593 / 1689	1600 / 1625	1600 / 1554	1595 / 1475	1585 / 1389	430	CFM	1695	1708	1713	1712	1705
4.5 tons ***†	370 † CFM/ton	Watts	326 / 332	397 / 369	462 / 399	519 / 420	568 / 430	CFM/ton	Watts	342	421	493	559	616
		CFM	1652 / 1748	1659 / 1685	1660 / 1616	1655 / 1540	1646 / 1456	400	CFM	1769	1782	1789	1788	1783
	380 CFM/ton	Watts	360 / 365	433 / 403	500 / 433	559 / 454	610 / 465	CFM/ton	Watts	385	467	543	611	671
		CFM	1694 / 1789	1701 / 1727	1701 / 1659	1697 / 1548	1688 / 1503	410	CFM	1811	1826	1831	1832	1827
	390 CFM/ton	Watts	386 / 390	460 / 427	528 / 458	589 / 480	641 / 491	CFM/ton	Watts	411	495	572	643	704
5 tons	390 CFM/ton	CFM	1736 / 1831	1742 / 1770	1744 / 1703	1740 / 1629	1732 / 1549	420	CFM	1854	1869	1875	1877	1872
		Watts	413 / 416	489 / 454	558 / 484	620 / 506	673 / 518	CFM/ton	Watts	439	525	604	676	739
	400 CFM/ton	CFM	1778 / 1873	1784 / 1813	1786 / 1747	1783 / 1675	1776 / 1597	430	CFM	1898	1913	1919	1921	1918
		Watts	442 / 443	519 / 481	590 / 512	653 / 534	707 / 546	CFM/ton	Watts	468	556	637	711	777
	370 CFM/ton	CFM	1826 / 1921	1833 / 1862	1835 / 1797	1832 / 1726	1826 / 1650	400	CFM	1963	1978	1985	1988	1985
5 tons		Watts	475 / 476	555 / 515	627 / 545	692 / 568	748 / 580	CFM/ton	Watts	515	606	689	766	833
	380 CFM/ton	CFM	1875 / 1971	1882 / 1912	1884 / 1848	1882 / 1778	1876 / 1703	410	CFM	2014	2029	2037	2040	2038
		Watts	512 / 512	593 / 550	667 / 581	733 / 603	791 / 616	CFM/ton	Watts	554	647	733	811	880
	390 CFM/ton	CFM	1924 / 2021	1932 / 1963	1935 / 1900	1933 / 1832	1927 / 1758	420	CFM	2066	2082	2090	2093	2090
		Watts	551 / 550	634 / 588	710 / 619	777 / 641	836 / 654	CFM/ton	Watts	595	691	779	859	928
TAM7B0C60	400 CFM/ton	CFM	1975 / 2073	1983 / 2015	1986 / 1953	1985 / 1886	1979 / 1814	430	CFM	2120	2136	2143	2147	2143
		Watts	593 / 590	678 / 629	755 / 660	824 / 682	884 / 695	CFM/ton	Watts	640	738	828	909	980

- † Factory Setting
- ** Not an actual OD size
- Status LED will blink once per 100 CFM requested. In torque mode, actual airflow may be lower.
- Torque mode will reduce airflow when static is above approximately 0.4" water column.
- If the air handler is applied in downflow or horizontal configurations, the airflow should not exceed 2000 CFM. Airflow above 2000 CFM could result in water blow-off.
- All heating modes default to Constant CFM.
- Cooling airflow values are with wet coil, no filter

MINIMUM HEATING AIRFLOW CFM — HEATER MATRIX							
MODEL NO.	BAYEVAC04BK1 BAYEVAC04LG1 BAYEVAC05BK1 BAYEVAC05LG1	BAYEVAC08BK1 BAYEVAC08LG1	BAYEVAC10BK1 BAYEVAC10LG1	BAYEVAC10LG3	BAYEVCB15LG3	BAYEVC20BK1	BAYEVCC25BK1
TAM7B0C60	1063 / 1188	1063 / 1500	1125 / 1500	1000 / 1188	1125 / 1563	1500 / 1750	1625 (a) / 1813

WITHOUT HEAT PUMP / WITH HP — SEE AIR HANDLER NAMEPLATE

Note: Minimum auxiliary heating airflow is automatically configured by the air handler model and the auxiliary heater model number. This is not field adjustable.

(a) Heater not qualified for 208V when installed in horizontal left position without Heat Pump



HEATER ATTRIBUTE DATA

TAM7A0A24H21SD, TAM7A0A24H21EA											
Heater Model No.	No. of Circuits	240 Volt					208 Volt				
		Capacity		Heater Amps per Circuit	Minimum Circuit Ampacity	Maximum Overload Protection	Capacity		Heater Amps per Circuit	Minimum Circuit Ampacity	Maximum Overload Protection
		kW	BTUH				kW	BTUH			
No Heater	0	-	-	3.9 **	5	15	-	-	3.9 **	5	15
BAYEVAC04++1	1	3.84	13100	16.0	25	25	2.88	9800	13.8	22	25
BAYEVAC05++1	1	4.80	16400	20.0	30	30	3.60	12300	17.3	27	30
BAYEVAC08++1	1	7.68	26200	32.0	45	45	5.76	19700	27.7	39	40
BAYEVAC10++1 ^(a)	1	9.60	32800	40.0	55	60	7.20	24600	34.6	48	50
BAYEVAC10LG3	1-3 PH	9.60	32800	23.1	33	35	7.20	24600	20.0	29	30

Note: ** Motor Amps

^(a) Heater not qualified for 208V when installed in horizontal left position without Heat Pump

TAM7A0B30H21SD, TAM7A0B30H21EA											
Heater Model No.	No. of Circuits	240 Volt					208 Volt				
		Capacity		Heater Amps per Circuit	Minimum Circuit Ampacity	Maximum Overload Protection	Capacity		Heater Amps per Circuit	Minimum Circuit Ampacity	Maximum Overload Protection
		kW	BTUH				kW	BTUH			
No Heater	0	-	-	3.0 **	4	15	-	-	3.0 **	4	15
BAYEVAC04++1	1	3.84	13100	16.0	24	25	2.88	9800	13.8	21	25
BAYEVAC05++1	1	4.80	16400	20.0	29	30	3.60	12300	17.3	25	25
BAYEVAC08++1	1	7.68	26200	32.0	44	45	5.76	19700	27.7	38	40
BAYEVAC10++1	1	9.60	32800	40.0	54	60	7.20	24600	34.6	47	50
BAYEVAC10LG3	1-3 PH	9.60	32800	23.1	32	35	7.20	24600	20.0	28	30
BAYEVBC15LG3	1-3 PH	14.40	42000	34.6	47	50	10.80	36900	30.0	41	45
BAYEVBC15BK1 - Circuit 1 ^(a)	2	9.60	32800	40.0	54	60	7.20	24600	34.6	47	50
BAYEVBC15BK1 - Circuit 2		4.80	16400	20.0	25	25	3.60	12300	17.3	22	25

Note: ** Motor Amps

^(a) MCA and MOP for circuit 1 contains the motor amps



HEATER ATTRIBUTE DATA

TAM7A0C36H31SD, TAM7A0C36H31EA											
Heater Model No.	No. of Circuits	240 Volt					208 Volt				
		Capacity		Heater Amps per Circuit	Minimum Circuit Ampacity	Maximum Overload Protection	Capacity		Heater Amps per Circuit	Minimum Circuit Ampacity	Maximum Overload Protection
		kW	BTUH				kW	BTUH			
No Heater	0	-	-	3.0 **	4	15	-	-	3.0 **	4	15
BAYEVAC04++1	1	3.84	13100	16.0	24	25	2.88	9800	13.8	21	25
BAYEVAC05++1	1	4.80	16400	20.0	29	30	3.60	12300	17.3	25	25
BAYEVAC08++1	1	7.68	26200	32.0	44	45	5.76	19700	27.7	38	40
BAYEVAC10++1	1	9.60	32800	40.0	54	60	7.20	24600	34.6	47	50
BAYEVAC10LG3	1-3 PH	9.60	32800	23.1	32	35	7.20	24600	20.0	28	30
BAYEVBC15LG3	1-3 PH	14.40	42000	34.6	47	50	10.80	36900	30.0	41	45
BAYEVBC15BK1 - Circuit 1 ^(a) BAYEVBC15BK1 - Circuit 2	2	9.60	32800	40.0	54	60	7.20	24600	34.6	47	50
		4.80	16400	20.0	25	25	3.60	12300	17.3	22	25
BAYEVBC20BK1 - Circuit 1 ^(a) BAYEVBC20BK1 - Circuit 2	2	9.60	32800	40.0	54	60	7.20	24600	34.6	47	50
		9.60	32800	40.0	50	50	7.20	24600	34.6	43	45

Note: ** Motor Amps

(a) MCA and MOP for circuit 1 contains the motor amps

TAM7A0C42H31SD, TAM7A0C42H31EA											
Heater Model No.	No. of Circuits	240 Volt					208 Volt				
		Capacity		Heater Amps per Circuit	Minimum Circuit Ampacity	Maximum Overload Protection	Capacity		Heater Amps per Circuit	Minimum Circuit Ampacity	Maximum Overload Protection
		kW	BTUH				kW	BTUH			
No Heater	0	-	-	3.9 **	5	15	-	-	3.9 **	5	15
BAYEVAC04++1	1	3.84	13100	16.0	25	25	2.88	9800	13.8	22	25
BAYEVAC05++1	1	4.80	16400	20.0	30	30	3.60	12300	17.3	27	30
BAYEVAC08++1	1	7.68	26200	32.0	45	45	5.76	19700	27.7	39	40
BAYEVAC10++1	1	9.60	32800	40.0	55	60	7.20	24600	34.6	48	50
BAYEVAC10LG3	1-3 PH	9.60	32800	23.1	33	35	7.20	24600	20.0	29	30
BAYEVBC15LG3	1-3 PH	14.40	42000	34.6	48	50	10.80	36900	30.0	42	45
BAYEVBC15BK1 - Circuit 1 ^(a) BAYEVBC15BK1 - Circuit 2	2	9.60	32800	40.0	55	60	7.20	24600	34.6	48	50
		4.80	16400	20.0	25	25	3.60	12300	17.3	22	25
BAYEVBC20BK1 - Circuit 1 ^(a) BAYEVBC20BK1 - Circuit 2	2	9.60	32800	40.0	55	60	7.20	24600	34.6	48	50
		9.60	32800	40.0	50	50	7.20	24600	34.6	43	45

Note: ** Motor Amps

(a) MCA and MOP for circuit 1 contains the motor amps



HEATER ATTRIBUTE DATA

TAM7A0C48H41SD , TAM7A0C48H41EA											
Heater Model No.	No. of Circuits	240 Volt					208 Volt				
		Capacity		Heater Amps per Circuit	Minimum Circuit Ampacity	Maximum Overload Protection	Capacity		Heater Amps per Circuit	Minimum Circuit Ampacity	Maximum Overload Protection
		kW	BTUH				kW	BTUH			
No Heater	0	-	-	4.2 **	5	15	-	-	4.2 **	5	15
BAYEVAC04++1	1	3.84	13100	16.0	25	25	2.88	9800	13.8	23	25
BAYEVAC05++1	1	4.80	16400	20.0	30	30	3.60	12300	17.3	27	30
BAYEVAC08++1	1	7.68	26200	32.0	45	45	5.76	19700	27.7	40	40
BAYEVAC10++1	1	9.60	32800	40.0	55	60	7.20	24600	34.6	49	50
BAYEVAC10LG3	1-3 PH	9.60	32800	23.1	34	35	7.20	24600	20.0	30	30
BAYEVBC15LG3	1-3 PH	14.40	42000	34.6	48	50	10.80	36900	30.0	42	45
BAYEVBC15BK1 - Circuit 1 ^(a) BAYEVBC15BK1 - Circuit 2	2	9.60	32800	40.0	55	60	7.20	24600	34.6	49	50
		4.80	16400	20.0	25	25	3.60	12300	17.3	22	25
BAYEVBC20BK1 - Circuit 1 ^(a) BAYEVBC20BK1 - Circuit 2	2	9.60	32800	40.0	55	60	7.20	24600	34.6	49	50
		9.60	32800	40.0	50	50	7.20	24600	34.6	43	45
BAYEVCC25BK1 - Circuit 1 ^(a) BAYEVCC25BK1 - Circuit 2 BAYEVCC25BK1 - Circuit 3	3	9.60	32800	40.0	55	60	7.20	24600	34.6	49	50
		9.60	32800	40.0	50	50	7.20	24600	34.6	43	45
		4.80	16400	20.0	25	25	3.60	12300	17.3	22	25

Note: ** Motor Amps

^(a) MCA and MOP for circuit 1 contains the motor amps

TAM7B0C60H51SC, TAM7B0C60H51EA											
Heater Model No.	No. of Circuits	240 Volt					208 Volt				
		Capacity		Heater Amps per Circuit	Minimum Circuit Ampacity	Maximum Overload Protection	Capacity		Heater Amps per Circuit	Minimum Circuit Ampacity	Maximum Overload Protection
		kW	BTUH				kW	BTUH			
No Heater	0	-	-	5.5 **	7	15	-	-	5.5 **	7	15
BAYEVAC04++1	1	3.84	13100	16.0	27	30	2.88	9800	13.8	24	25
BAYEVAC05++1	1	4.80	16400	20.0	32	35	3.60	12300	17.3	29	30
BAYEVAC08++1	1	7.68	26200	32.0	47	50	5.76	19700	27.7	41	45
BAYEVAC10++1	1	9.60	32800	40.0	57	60	7.20	24600	34.6	50	50
BAYEVAC10LG3	1-3 PH	9.60	32800	23.1	35	35	7.20	24600	20.0	31	35
BAYEVBC15LG3	1-3 PH	14.40	42000	34.6	49	50	10.80	36900	30.0	44	45
BAYEVBC15BK1 - Circuit 1 ^(a) BAYEVBC15BK1 - Circuit 2	2	9.60	32800	40.0	57	60	7.20	24600	34.6	50	50
		4.80	16400	20.0	25	25	3.60	12300	17.3	22	25
BAYEVBC20BK1 - Circuit 1 ^(a) BAYEVBC20BK1 - Circuit 2	2	9.60	32800	40.0	57	60	7.20	24600	34.6	50	50
		9.60	32800	40.0	50	50	7.20	24600	34.6	43	45
BAYEVCC25BK1 ^(b) - Circuit 1 ^(a) BAYEVCC25BK1 - Circuit 2 BAYEVCC25BK1 - Circuit 3	3	9.60	32800	40.0	57	60	7.20	24600	34.6	50	50
		9.60	32800	40.0	50	50	7.20	24600	34.6	43	45
		4.80	16400	20.0	25	25	3.60	12300	17.3	22	25

Note: ** Motor Amps

^(a) MCA and MOP for circuit 1 contains the motor amps

^(b) Heater not qualified for 208V when installed in horizontal left position without Heat Pump

Note: See Product Data or Air Handler nameplate for approved combinations of Air Handlers and Heaters.

Note: Heater model numbers may have additional suffix digits.



TAM7 Air Handler and Heater Matrix Allowable Combinations

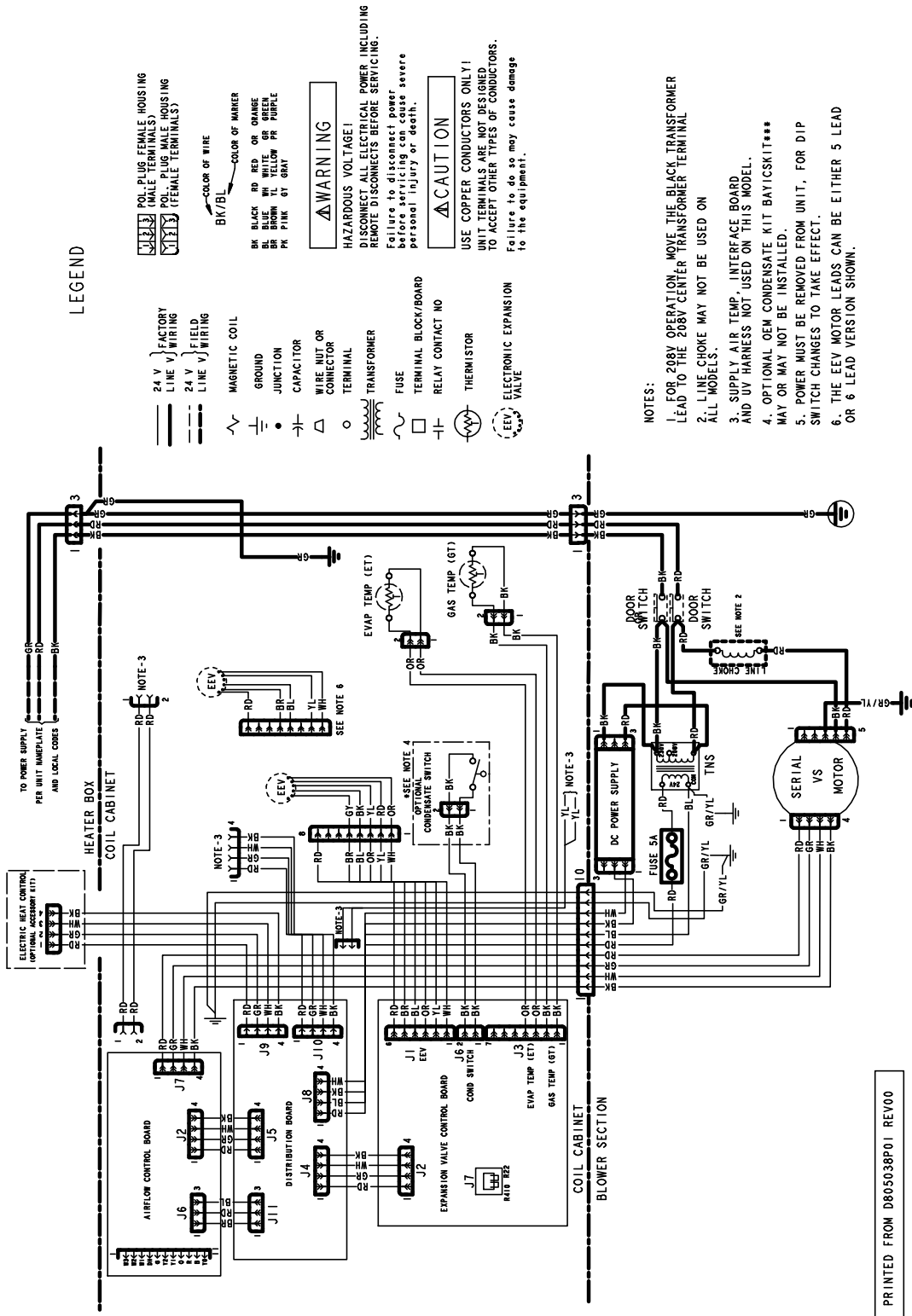
APPROVED AIR HANDLER — HEATER COMBINATIONS						
HEATER MODEL NUMBER BAYEV-	AIR HANDLER MODEL NUMBER					
	TAM7A0A24H21SD TAM7A0A24H21EA	TAM7A0B30H21SD TAM7A0B30H21EA	TAM7A0C36H31SD TAM7A0C36H31EA	TAM7A0C42H31SD TAM7A0C42H31EA	TAM7A0C48H41SD TAM7A0C48H41EA	TAM7BOC60H51SC TAM7BOC60H51EA
AC04BK1 3.84 Kw BK	Y	Y	Y	Y	Y	Y
AC04LG1 3.84 Kw BK	Y	Y	Y	Y	Y	Y
AC05BK1 4.80 Kw BK	Y	Y	Y	Y	Y	Y
AC05LG1 4.80 Kw LG	Y	Y	Y	Y	Y	Y
AC08BK1 7.68 Kw BK	Y	Y	Y	Y	Y	Y
AC08LG1 7.68 Kw LG	Y	Y	Y	Y	Y	Y
AC10BK1 9.60 Kw BK	Y ^(a)	Y	Y	Y	Y	Y
AC10LG1 9.60 Kw LG	Y ^(a)	Y	Y	Y	Y	Y
BC15BK1 14.40 Kw BK	—	Y	Y	Y	Y	Y
BC20BK1 19.20 Kw BK	—	—	Y	Y	Y	Y
CC25BK1 24.00 Kw BK	—	—	—	—	Y	y ^(a)
AC10LG3 9.60 Kw LG	Y	Y	Y	Y	Y	Y
BC15LG3 14.4 Kw LG	—	Y	Y	Y	Y	Y

^(a) Heater is not qualified for 208V when installed in horizontal left position without HP.

AIR HANDLER ELECTRIC HEATER PRESSURE DROP

Air Handler electric heater pressure drop is negligible for the heaters and is included in the airflow data for the Series & Air Handlers.

WIRING — D805038P01REV00

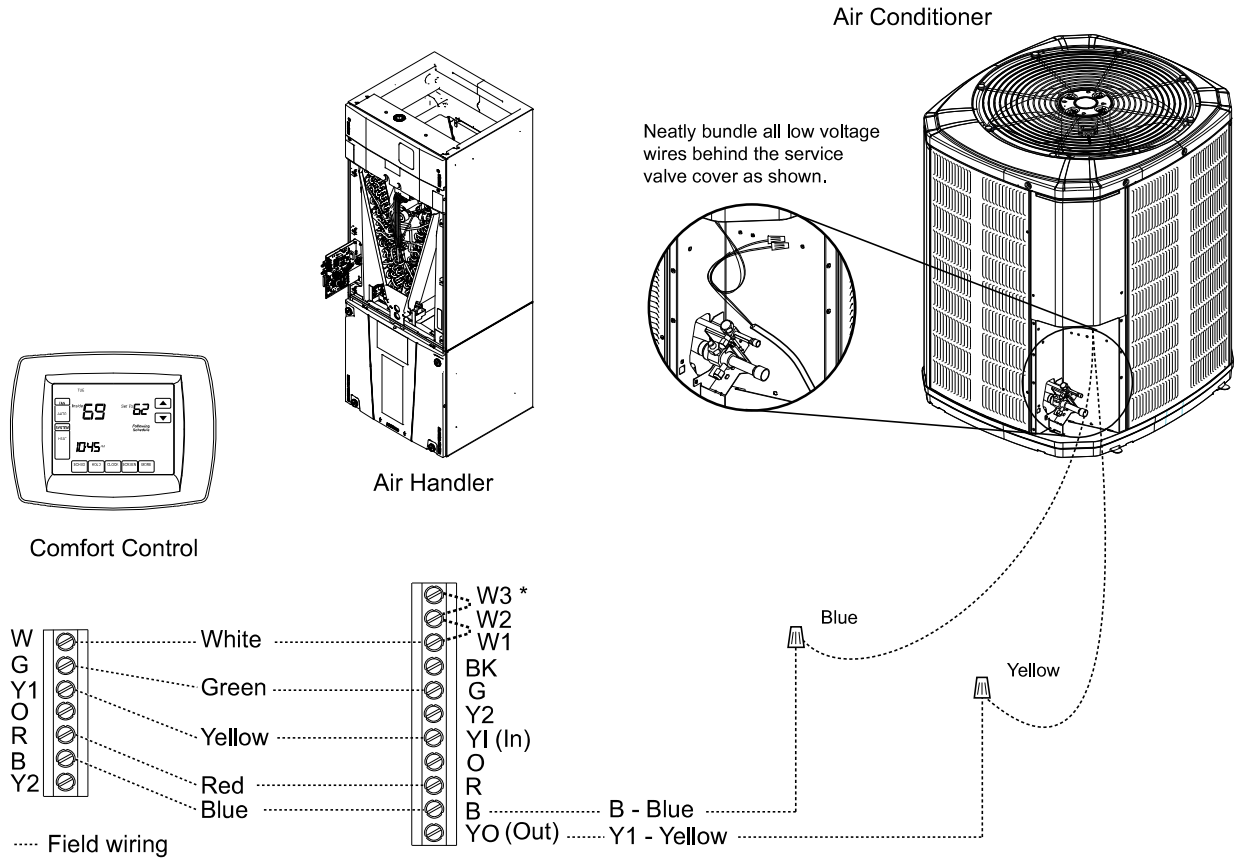


PRINTED FROM D805038P01 REV00



TAM7 Single Stage Cooling

Figure 1. Field Wiring — Single Stage Cooling

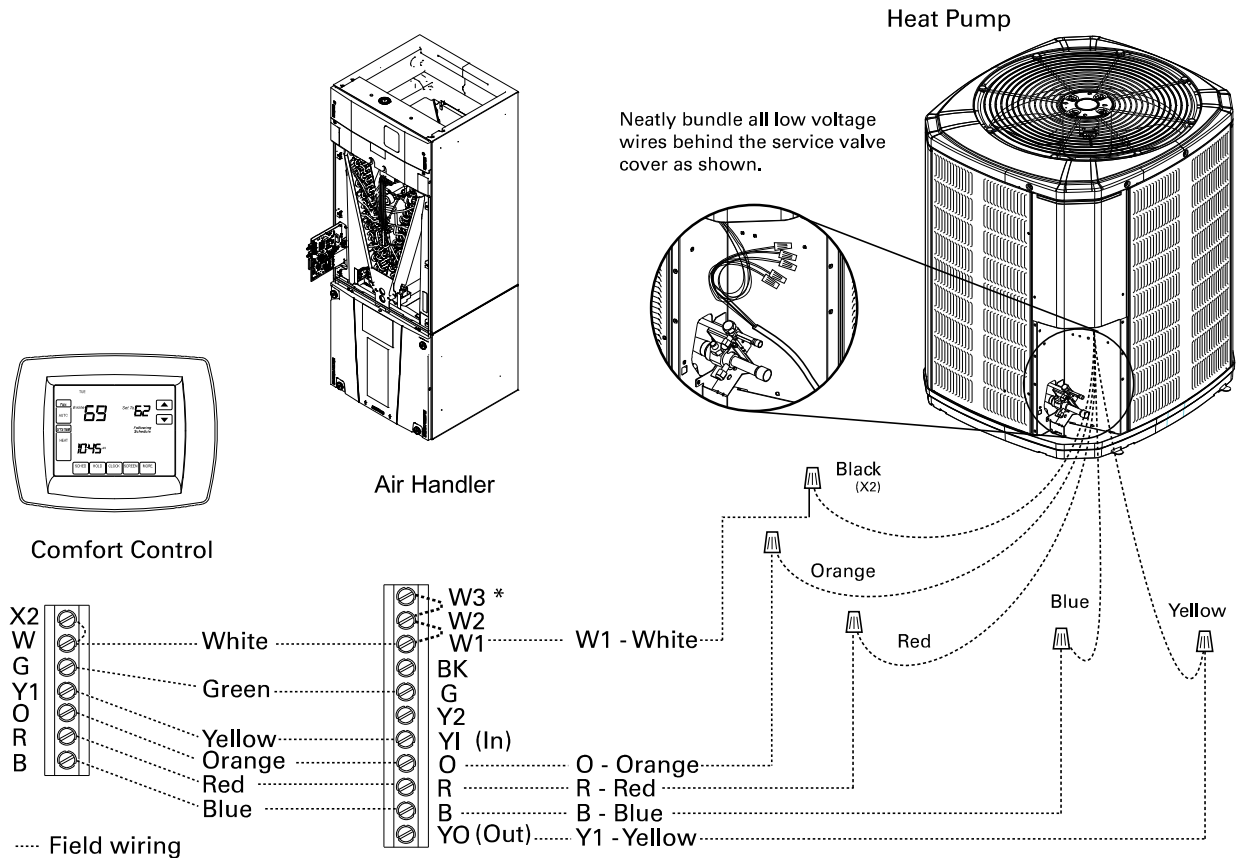


- * For multiple stages of electric heat, jumper W1, W2, and W3 together if comfort control has only one stage of heat.
- YI and YO connections must be made as shown for freeze protection and internally mounted condensate overflow circuits to work properly.
- Internally mounted condensate switch is optional and must be ordered separately.
- If 3rd party condensate overflow switches are installed, they should be wired between Y of the thermostat and YI of the Airflow control.



TAM7 Single Stage Heat Pump

Figure 2. Field Wiring — Single Stage HP

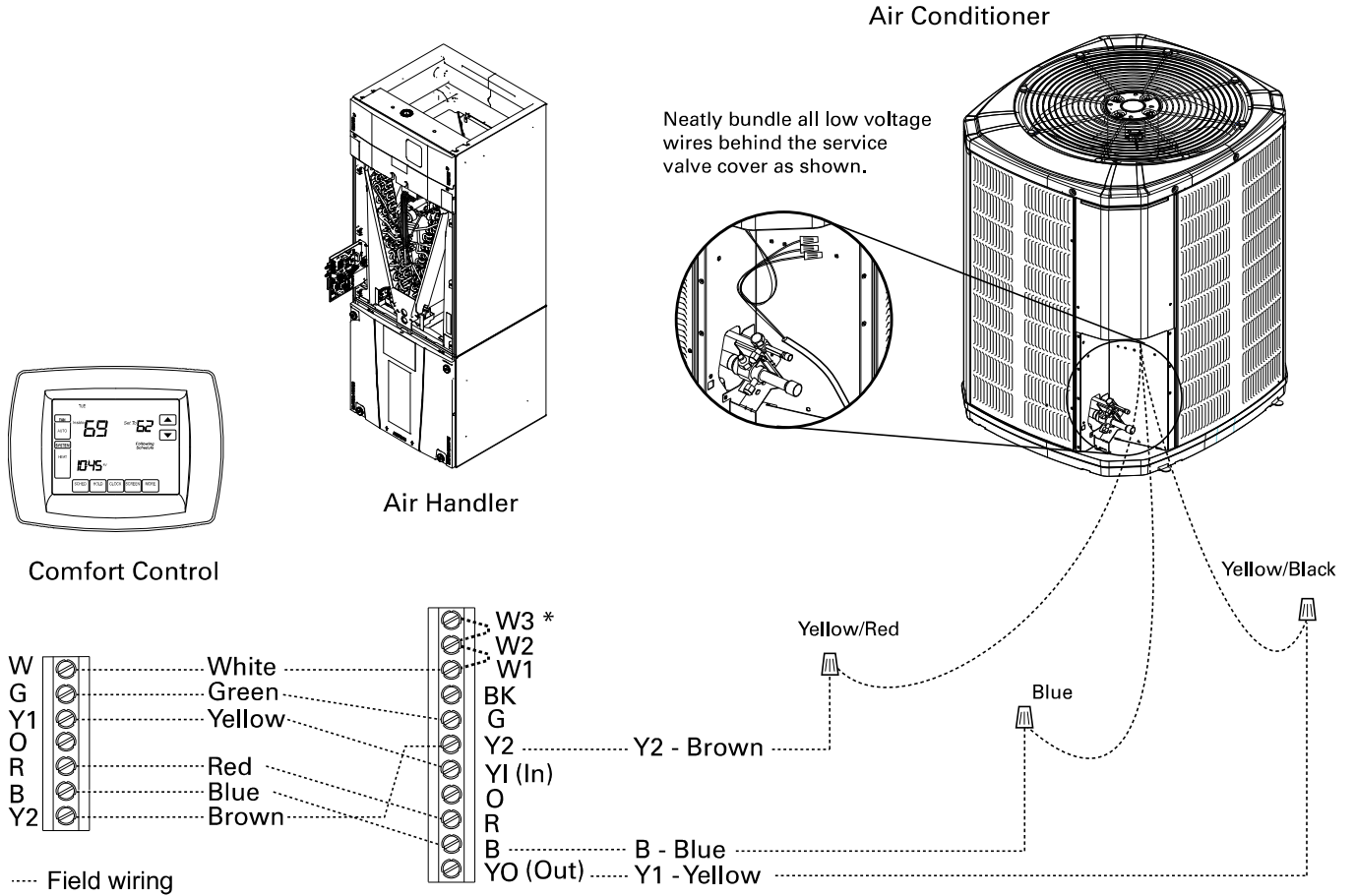


- * For multiple stages of electric heat, jumper W1, W2, and W3 together if comfort control has only one stage of heat.
- Y1 and YO connections must be made as shown for freeze protection and internally mounted condensate overflow circuits to work properly.
- Internally mounted condensate switch is optional and must be ordered separately.
- If 3rd party condensate overflow switches are installed, they should be wired between Y of the thermostat and Y1 of the Airflow control.



TAM7 Two Stage Cooling

Figure 3. Field Wiring — Two Stage Cooling

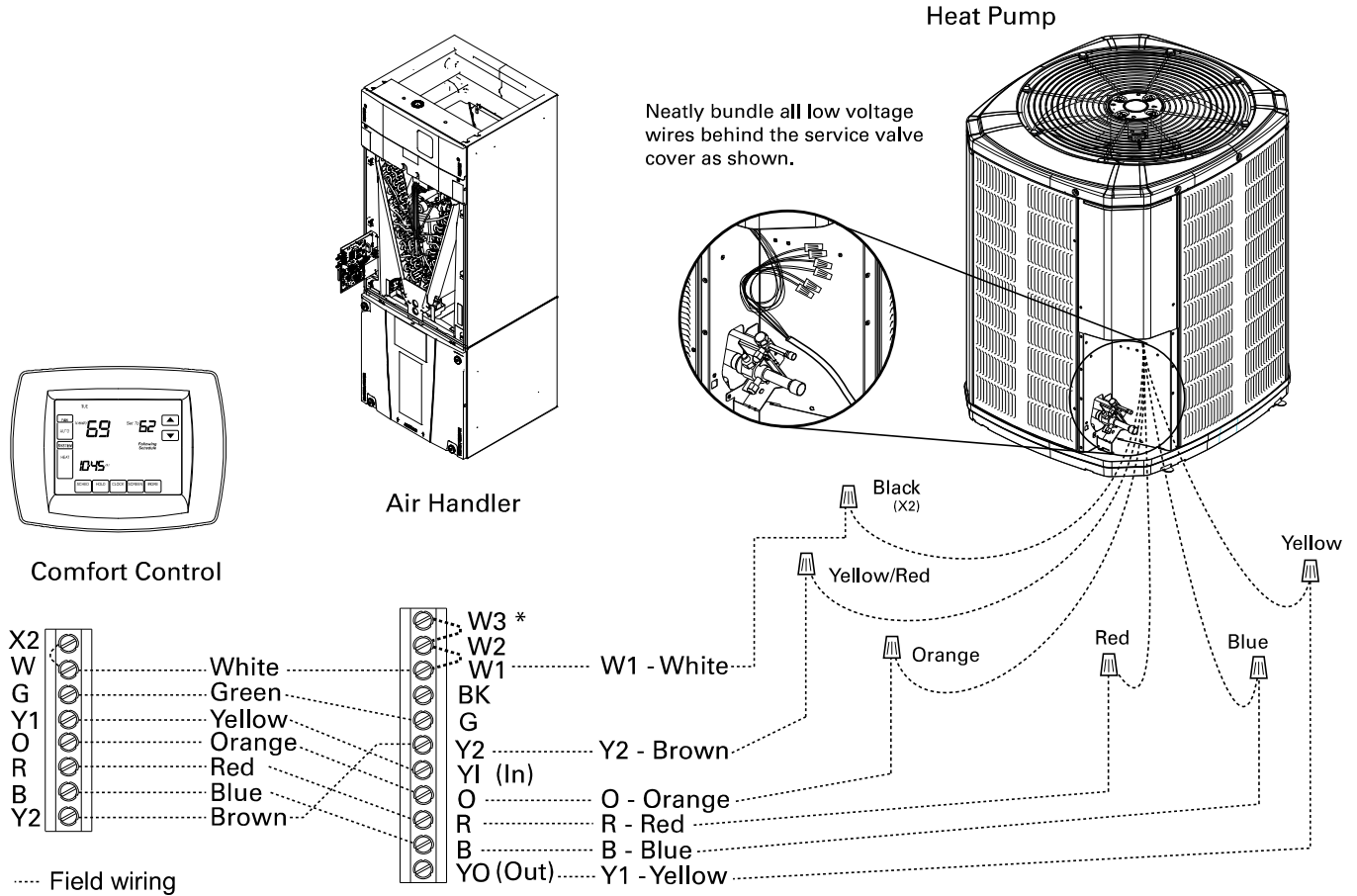


- * For multiple stages of electric heat, jumper W1, W2, and W3 together if comfort control has only one stage of heat.
- Y1 and YO connections must be made as shown for freeze protection and internally mounted condensate overflow circuits to work properly.
- Internally mounted condensate switch is optional and must be ordered separately.
- If 3rd party condensate overflow switches are installed, they should be wired between Y of the thermostat and Y1 of the Airflow control.



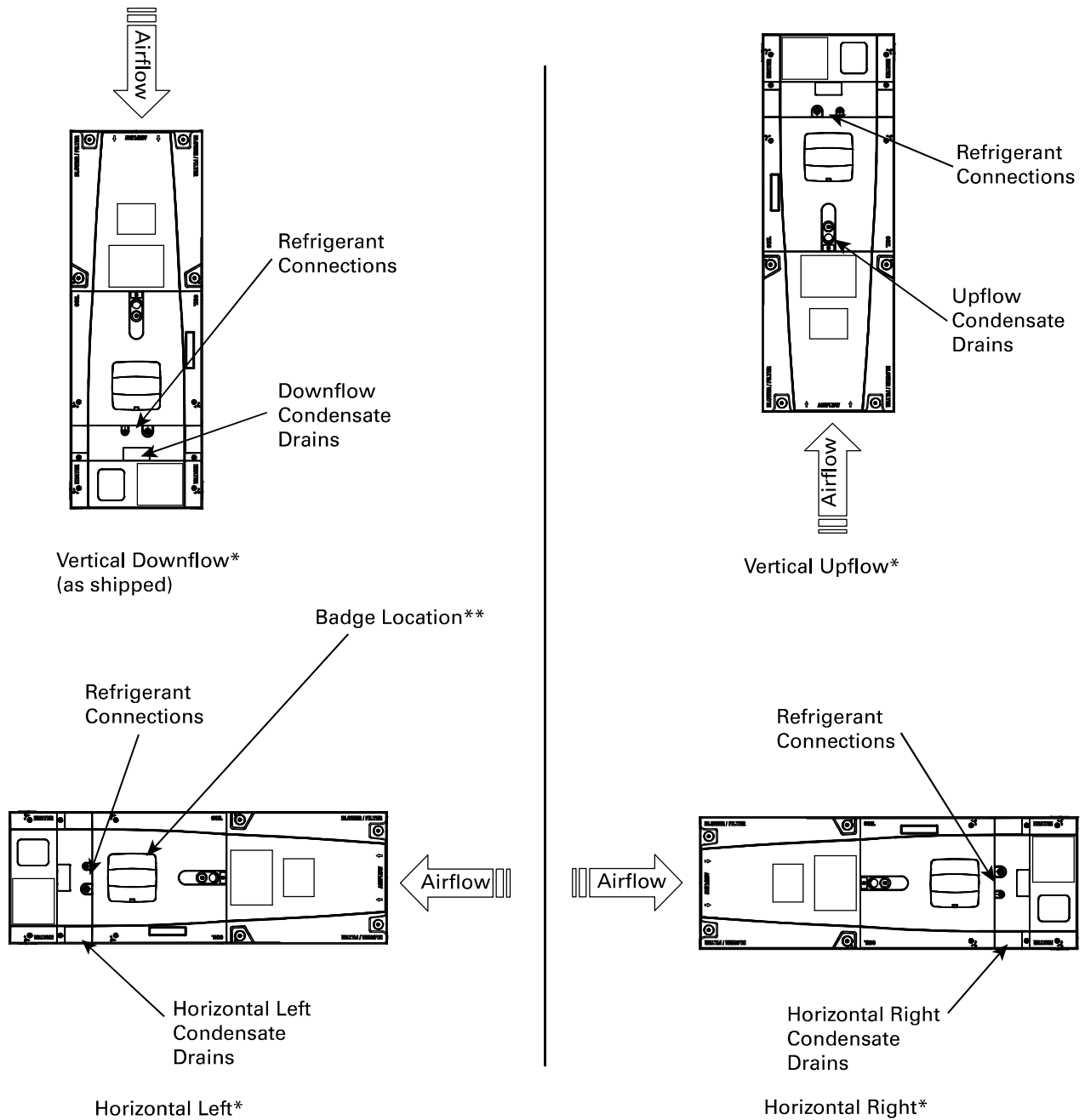
TAM7 Two Stage Heat Pump

Figure 4. Field Wiring — Two Stage HP



- * For multiple stages of electric heat, jumper W1, W2, and W3 together if comfort control has only one stage of heat.
- Y1 and YO connections must be made as shown for freeze protection and internally mounted condensate overflow circuits to work properly.
- Internally mounted condensate switch is optional and must be ordered separately.
- If 3rd party condensate overflow switches are installed, they should be wired between Y of the thermostat and Y1 of the Airflow control.

Multi-position Air Handler

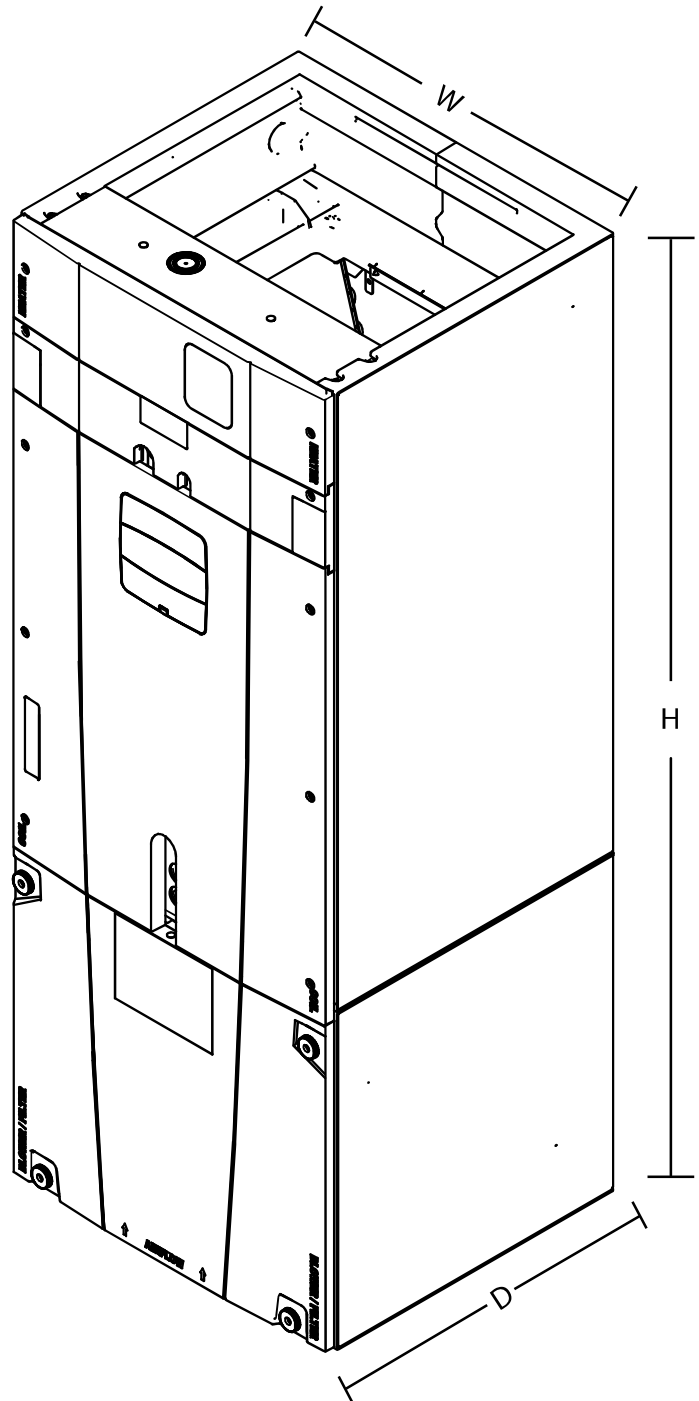


Note: * No internal modifications required for any position.
 ** Badge rotation will keep brand in correct position.

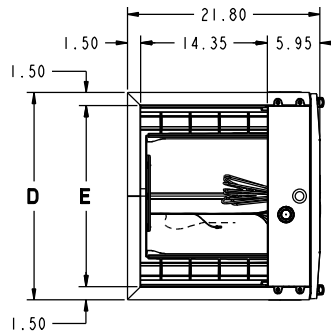


Air Handler Dimensional Data

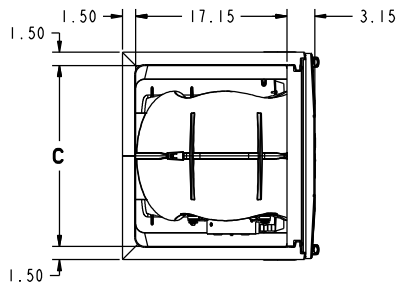
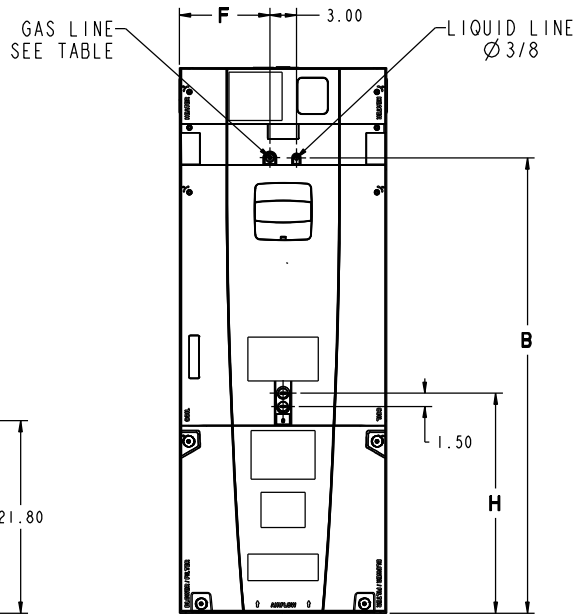
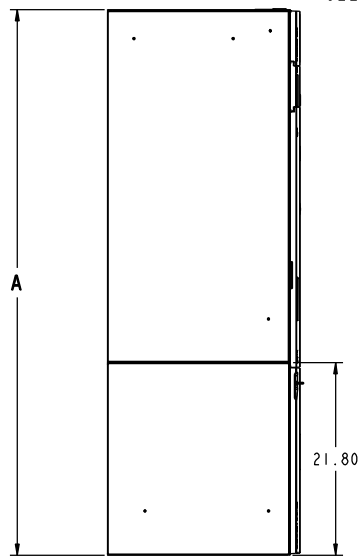
Model Number	Height	Width	Depth
TAM7A0A24H21SD TAM7A0A24H21EA	49.9	17.5	21.75
TAM7A0B30H21SD TAM7A0B30H21EA	55.7	21.3	21.75
TAM7A0C36H31SD TAM7A0C36H31EA	56.9	23.5	21.75
TAM7A0C42H31SD TAM7A0C42H31EA	56.9	23.5	21.75
TAM7A0C48H41SD TAM7A0C48H41EA	61.7	23.5	21.75
TAM7B0C60H51SC TAM7B0C60H51EA	61.7	23.5	21.75



TAM7 OUTLINE DRAWING



MINIMUM UNIT CLEARANCE TABLE		
	TO COMBUSTIBLE MATERIAL (REQUIRED)	SERVICE CLEARANCE (RECOMMENDED)
SIDES	0"	2"
FRONT	0"	21"
BACK	0"	0"
INLET DUCT	0"	
OUTLET DUCT	0"	



Model Number	A	B	C	D	E	F	H	FLOW CONTROL	GAS LINE BRAZE	LIQ LINE BRAZE
TAM7A0A24H21SD TAM7A0A24H21EA	49.9	39.6	14.5	17.5	14.5	7.3	24.4	EEV	3/4	3/8
TAM7A0B30H21SD TAM7A0B30H21EA	55.7	45.5	18.4	21.3	18.4	9.2	24.8	EEV	3/4	3/8
TAM7A0C36H31SD TAM7A0C36H31EA	56.9	46.7	20.5	23.5	20.5	10.3	24.2	EEV	7/8	3/8
TAM7A0C42H31SD TAM7A0C42H31EA	56.9	46.7	20.5	23.5	20.5	10.3	24.5	EEV	7/8	3/8
TAM7A0C48H41SD TAM7A0C48H41EA	61.7	51.5	20.5	23.5	20.5	10.3	24.9	EEV	7/8	3/8
TAM7B0C60H51SC TAM7B0C60H51EA	61.7	51.5	20.5	23.5	20.5	10.3	24.9	EEV	7/8	3/8



Notes



Trane optimizes the performance of homes and buildings around the world. A business of Ingersoll Rand, the leader in creating and sustaining safe, comfortable and energy efficient environments, Trane offers a broad portfolio of advanced controls and HVAC systems, comprehensive building services, and parts. For more information, visit www.Trane.com.

Trane has a policy of continuous product and product data improvements and reserves the right to change design and specifications without notice.

©2015 Trane
22-1847-7F-EN 11 Feb 2015
Supersedes 22-1847-7E-EN (August 2014)

