



It's Hard To Stop A Trane.®

Trane CleanEffects™ Whole House Air Cleaner



Trane CleanEffects™ Whole House Air Cleaner:

- Trane CleanEffects™ removes up to 99.98% of allergens from the filtered air
- Removes particles down to .01 micron in size
- Outperforms HEPA, and up to 100 times more effective than a standard 1" filter
- Constructed of heavy 18 gage metal to protect the filter and internal electronics
- Power door provides easy access to internal components and features a filter status display as well as safety interlocks that automatically shut down the power when the door is opened for maintenance or cleaning
- Designed for flush fit on both sides and rear of equipment cabinet
- No transitions required on Trane CleanEffects™ applications
- Gaskets included with the air cleaner
- ComfortLink II™ communicating or 24 volt capability
- **Base Limited Warranty 5-years**
- **Registered Limited Warranty 10-years**
- Trane CleanEffects™ is now certified as **asthma & allergy friendly™** by AAFA

Table IAQ-1-A – Air Handler – 24 Volt Trane CleanEffects™ Whole House Air Cleaner

Model Number	Airflow Range	Trane CleanEffects™ Air Handler Width	Uncrated Dimensions(in.) H x W x D	Shipping Weight
TFD175CLAH000E	300-1200	17½ inch	7½ x 17½ x 21	37
TFD215CLAH000E	300-1200	21½ inch	7½ x 21½ x 21	42
TFD235CLAH000E	350-1600	23½ inch	7½ x 23½ x 21	44
TFD260CLAH000E	400-2000	26 inch	7½ x 26 x 21	46

Table IAQ-1-B – Upflow / Side Return Furnace – 24 Volt Trane CleanEffects™ Whole House

Model Number	Airflow Range	Trane CleanEffects™ Furnace Width	Uncrated Dimensions(in.) H x W x D	Shipping Weight
TFD145CLFR000E	300-1200	14½ inch ^①	7½ x 14½ x 27	39
TFD175CLFR000E	300-1600	17½ inch ^①	7½ x 17½ x 27	43
TFD210CLFR000E	300-2000	21 inch ^②	7½ x 21 x 27	47
TFD245CLFR000E	400-2000	24½ inch ^②	7½ x 24½ x 27	49

Table IAQ-1-C – Downflow Furnace – 24 Volt Trane CleanEffects™ Whole House

Model Number	Airflow Range	Trane CleanEffects™ Furnace Width	Uncrated Dimensions(in.) H x W x D	Shipping Weight
TFD17DCLFR000E	300-1600	17½ inch	7½ x 17½ x 21	37
TFD21DCLFR000E	300-2000	21 inch	7½ x 21 x 21	41

Table IAQ-1-D — Accessories – Trane CleanEffects™ Whole House

Model Number	Description	Used With	Shipping Weight
BAYTRANS12024	120 to 24 Volt Transformer	All TFD Air Cleaners	6

- ① Side return no transition required.
 ② Side return transition required.

Indoor Air Quality



It's Hard To Stop A Trane.®

Perfect Fit™ Filter Accessories

Table IAQ-2-A — Furnace Cartridge Media

Model Number	Description	Qty	Enclosure Used with	Shipping Weight
BAYFTFREXM2	Expandable 5" Cartridge Media Filter	2 / Box	14 1/2 - 24 1/2 x 21	5

Table IAQ-2-B — Air Handler Cartridge Media

Model Number	Description	Qty	Enclosure Used with	Shipping Weight
BAYFTAHEXM2	Expandable 5" Cartridge Media Filter	2 / Box	21 1/2 - 26 x 27	5

Table IAQ-2-C — Furnace Frames

Model Number	Description	Qty	Enclosure Used with	Shipping Weight
BAYFRAME145①	Expandable Media Filter	1 / Box	14 1/2	5
BAYFRAME175①	Expandable Media Filter	1 / Box	17 1/2	5
BAYFRAME210①	Expandable Media Filter	1 / Box	21	5
BAYFRAME245①	Expandable Media Filter	1 / Box	24 1/2	5

Table IAQ-2-D — Air Handler Frames

Model Number	Description	Qty	Enclosure Used with	Shipping Weight
BAYFRAME215①	Expandable Media Frame	1 / Box	21	5
BAYFRAME235①	Expandable Media Frame	1 / Box	23 1/2	5
BAYFRAME260①	Expandable Media Frame	1 / Box	26	5

① Includes one filter.



SlimFit Filters

- Available in all cabinet widths for the TEM Air Handlers.
- Available for the S-Series Furnaces with side return.
- Polyslate Gray 18 gauge steel painted frame to match cabinet
- Low profile 2" depth cabinet
- Hinged front door for easy filter replacement
- Service First MERV 4 rated pleated filter included for recurring revenue on SlimFit sizes. Will also accommodate off the shelf retail filters.
- Easy Installation and competitively priced
- Fully insulated R-4.2 door
- Insulated cabinet to prevent sweating

Table IAQ-2-C - SlimFit Filters

Part Number	Part Description	Dimensions (in.)
BAYSF1165BAA	1" Filter and Frame (Side Return Furnace)	16 ⁵ / ₈ x 20 ³ / ₈ x 2
BAYSF1185BAA	1" Filter and Frame, 18 1/2	18 1/2 x 21 x 2
BAYSF1235BAA	1" Filter and Frame, 23 1/2	23 1/2 x 21 x 2
BAYSF1265BAA	1" Filter and Frame, 26 1/2	26 1/2 x 21 x 2
FLRSF1165*	1" Media Filter (Side Return Furnace)	16 1/4 x 20 1/4 x 3/4
FLRSF1185*	1" Media Filter	17 3/4 x 19 3/4 x 3/4
FLRSF1235*	1" Media Filter	22 3/4 x 19 3/4 x 3/4
FLRSF1265*	1" Media Filter	25 3/4 x 19 3/4 x 3/4

*Shipped in cartons of 12

Indoor Air Quality

For complete equipment / combination selections, installation instructions and warranty information, please refer to Product Data/Ratings and/or Installers Guides and Limited Warranty Handbooks.

QuikBox™ Media Cabinet and Filters



- New Cost Improved Replacement for TFM Perfect Fit Media Filter
- 9 Perfect Fit Sizes to match Air Handler or Furnace Cabinet dimensions
- 5" Depth 18 Gauge Metal Painted Cabinet w/ Fully insulated R-4.2 Door
- New MERV 11 Collapsible "Shirt-Box" type filter included
- Air Tite Door Construction with Gasketing and Quarter Turn Easy Open Latch
- Cabinet Gasketing included for improved leakage at equipment connection
- QuikBox Replacement Filters are Backward Compatible to Fit Every TFM FilterBox

Table IAQ-3-A– QuikBox™ Cabinet with Filter

Old Perfect Fit Model	New QuikBox Model	Nominal Cabinet Size H x W x D	Airflow Range Cfm	Shipping Weight
TFM175B0FR0	EQBFM175A0FR11	5" x 17.5" x 27"	300-1500	20
TFM17DA0FR0	EQBFM17DA0FR11	5" x 17.5" x 21"	300-1600	20
TFM210B0FR0	EQBFM210A0FR11	5" x 21.0" x 27"	300-2000	22
TFM215B0AH0	EQBFM215A0AH11	5" x 21.5" x 21"	300-1400	20
TFM235B0AH0	EQBFM235A0AH11	5" x 23.5" x 21"	300-1700	22
TFM245B0FR0	EQBFM245A0FR11	5" x 24.5" x 27"	400-2000	24
TFM260B0AH0	EQBFM260A0AH11	5" x 26.0" x 21"	400-2000	24
N/A	EQBFM165A0FR11	5" x 20.5" x 16.75"	400-1600	20
N/A	EQBFM185A0AH11	5" x 18.5" x 21"	400-1600	22

Table IAQ-3-B– QuikBox™ Replacement Filters

Perfect Fit Furnace	Old Filter Part Number	Dimensions(in.) H x W x D	New Filter Part Number	Efficiency Rating
TFM145B0FR0	BAYFTFR14M2	13.7 x 26 x 4.7	FLRQB5FR14M11	MERV 11
TFM175B0FR0	BAYFTFR17M2	16.7 x 26 x 4.7	FLRQB5FR17M11	MERV 11
TFM210B0FR0	BAYFTFR21M2	20.2 x 26 x 4.7	FLRQB5FR21M11	MERV 11
TFM245B0FR0	BAYFTFR24M2	23.7 x 26 x 4.7	FLRQB5FR24M11	MERV 11
New	N/A	15.75 x 19 x 4.7	FLRQB5FR16M11	MERV 11
TFM17DA0FR0	BAYFTDN17M2	16.7 x 20 x 4.7	FLRQB5DN17M11	MERV 11

Table IAQ-3-C– QuikBox™ Replacement Filters

Perfect Fit Air Handler	Old Filter Part Number	Dimensions(in.) H x W x D	New Filter Part Number	Efficiency Rating
TFM215B0AH0	BAYFTAH21M2	20.7 x 20 x 4.7*	FLRQB5AH21M11	MERV 11
TFM235B0AH0	BAYFTAH23M2	22.7 x 20 x 4.7	FLRQB5AH23M11	MERV 11
TFM260B0AH0	BAYFTAH26M2	25.2 x 20 x 4.7	FLRQB5AH26M11	MERV 11
New	N/A	17.75 x 20 x 4.7	FLRQB5AH18M11	MERV 11

* Note:

Fits phased out TFM21DAFR0 Perfect Fit Cabinet



It's Hard To Stop A Trane.®

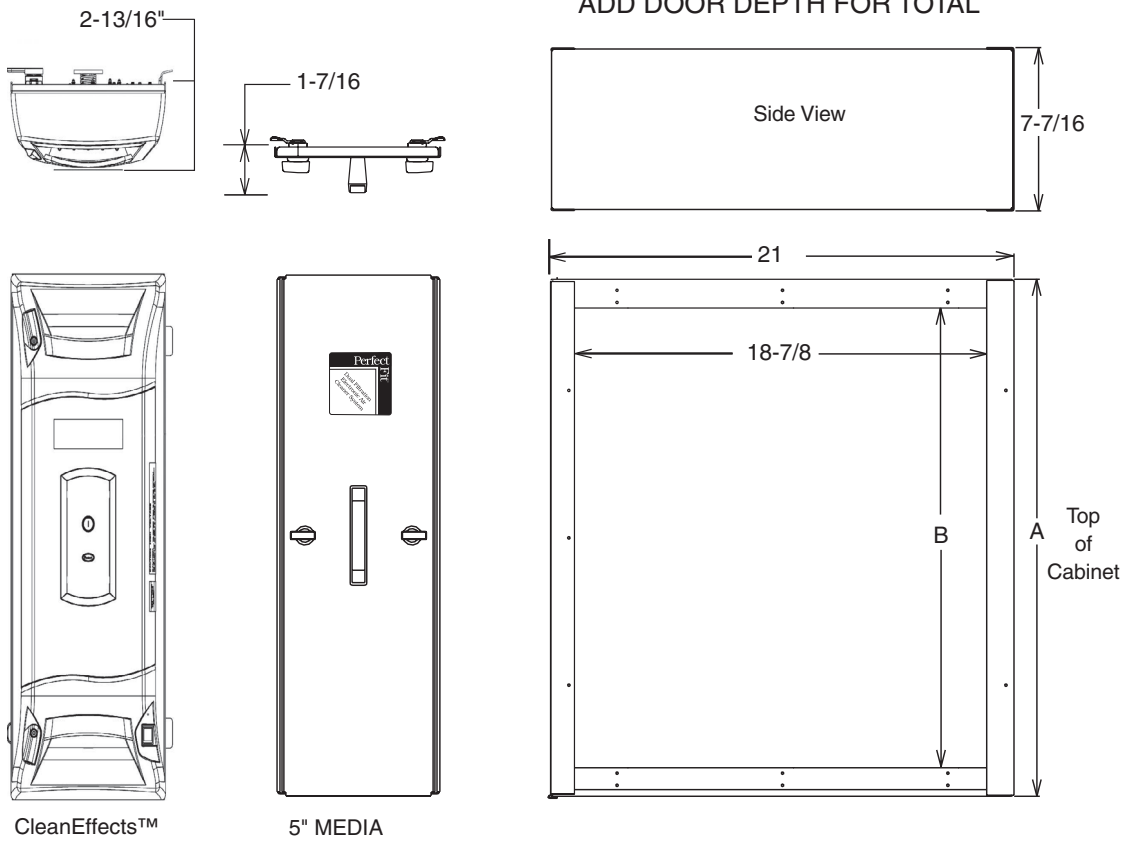
CleanEffects™ Dimensions

Table IAQ-4-A — Air Handler Filters

ifD Filter	AIR HANDLER MODEL NUMBER	
	A	B
TFD215	21-1/2	19
TFD235	23-1/2	21
TFD260	26	23-1/2

OUTLINE DRAWING AIR HANDLER MODELS

21" CABINET DEPTH ONLY
ADD DOOR DEPTH FOR TOTAL



Indoor Air Quality

For complete equipment / combination selections, installation instructions and warranty information, please refer to Product Data/Ratings and/or Installers Guides and Limited Warranty Handbooks.

CleanEffects™ Dimensions

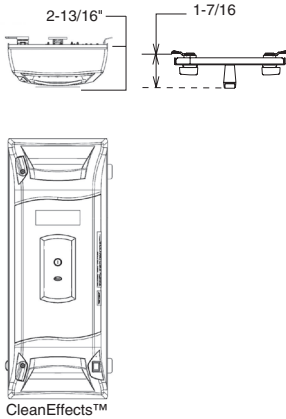


Table IAQ-5-A — Upflow Furnace Filters

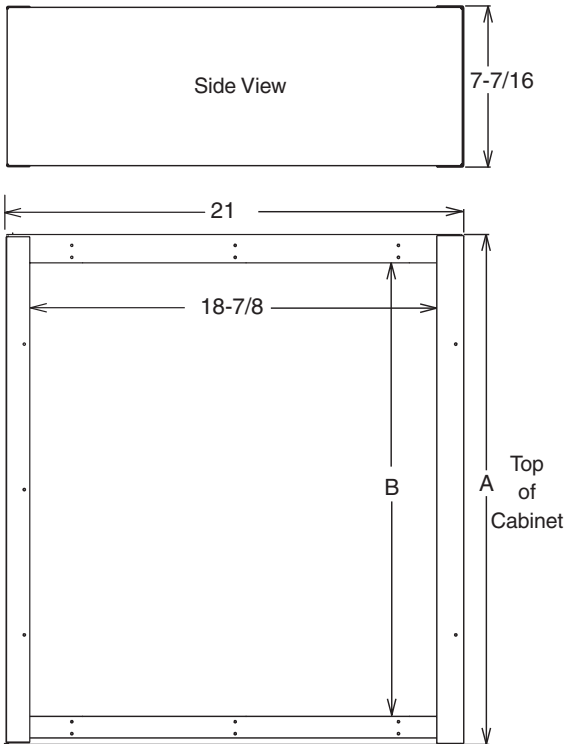
FURNACE MODEL NUMBER		
ifD Filter	A	B
TFD145	14½	12
TFD175	17½	15
TFD210	21	18½
TFD245	24½	22

Table IAQ-5-B — Downflow Furnace Filters

FURNACE MODEL NUMBER		
ifD Filter	A	B
TFD14D	14½	11⅞
TFD17D	17½	14⅞
TFD21D	21	18⅞
TFD24D	24½	21⅞

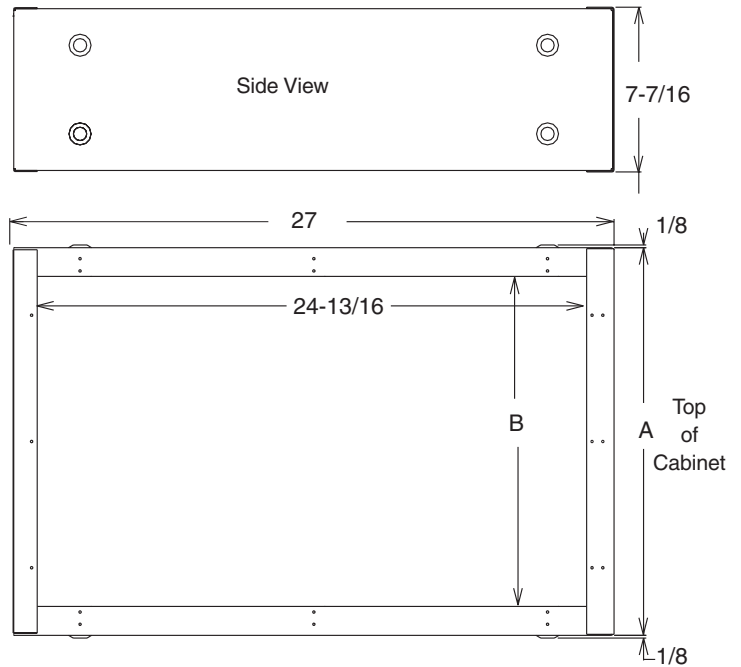
**OUTLINE DRAWING
DOWNFLOW FURNACE MODELS**

21" CABINET DEPTH ONLY
ADD DOOR DEPTH FOR TOTAL



OUTLINE DRAWING UPFLOW FURNACE MODELS

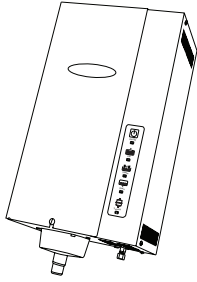
27" CABINET DEPTH ONLY
ADD DOOR DEPTH FOR TOTAL



Indoor Air Quality



It's Hard To Stop A Trane.®



EHUMD800ASM00BA
EHUMD800BSMLCBA

Humidifiers Steam

EHUMD800A

- Electrode Type Steam Canister means fast, easy, low cost maintenance.*
- Six Different Capacities In One Unit to satisfy any application from 11.5 gallons per day to 34.6 gallons per day.
- Automatic Shut Down after 72 hours of inactivity; unit will drain to eliminate standing water.
- Easy Mounting Flexibility to your existing duct work or can be remotely mounted.
- Choose Precise Relative Humidity % Settings based on your needs and outdoor conditions. Works with Trane Nexia™-enabled controls without the need for additional controls.
- Humidity "On Demand" uses your HVAC system blower to distribute humidified air throughout your home without a call for heating from your furnace or heat pump.
- Five-Year Standard Warranty includes all functional Parts. Limited Warranty available.
- All Inclusive Package means there is nothing else to purchase. Includes manual humidistat and blower relay. Nexia-enabled control is optional.

*Replace once a year

EHUMD800LC

- EnviroWise model 800LC Steam Humidifier is recommended for all 120V installations.
- Two Different Capacities at 11.5 gallons per day and 16 gallons per day.
- Comes with model 8043 LCRP Canister
- Faster start-up and 35% more electrode surface area than model 800 with 120v application

Table IAQ-6-A — Steam Humidifier Models

Part Number	Part Description	Dimensions - W"xD"xH"	Weight (lbs)
EHUMD800ASM00B	Steam Humidifier w/ Manual Control	10.125 x 7.125 x 20.875	23
EHUMD800BSMLCBA	Steam Humidifier Low Conductivity w/ Manual Control	10.125 x 7.125 x 20.875	23

Table IAQ-6-B — Specifications: Humidifier with Humidistat

Conductivity	Grains/Gal	Hardness	Recommended Model installed at 208/240v
75-100	0-3	Naturally Soft	Model 800LC
100-300	3-9	Naturally Soft	Model 800LC
300-500	9-15	Slightly Hard	Model 800
500-650	15-20	Moderately Hard	Model 800
650-850	20-25	Hard	Model 800
850-1250	25-36	Very Hard	Model 800
above 1250	above 36	Extremely Hard	Installation Not Recommended

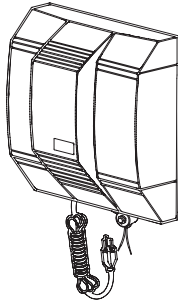
Table IAQ-6-C — Accessories

Model Number	Description
8043RP	Canister, Rplc, 6-Pk, Serv First
8043LCRP	Replacement Steam Canister-Low Conductivity Model
5625RP	Humidistat, Manual, Serv First
5628RP	Drain Trap Assy, Serv First
5629RP	Air Flow Switch, Serv First
5630RP	High Humidity Switch, Serv First
5632RP	Condensate Pump Kit, Serv First
56TR	Convertible Automatic Humidifier Control, Trane Brand

1. What model is recommended for 120VAC installations?
 - a. The Model 800LC and 80LC canister are recommended regardless of water conditions.

Indoor Air Quality

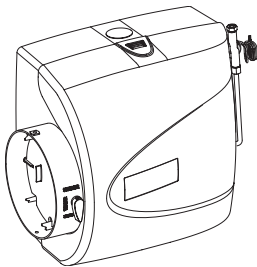
Humidifiers Fan Powered and Bypass



EHUMD500A

EHUMD500A

- Flow Through Fan Powered Humidifier
- High Performance Humidifier Delivers up to 18 Gallons per Day
- Automatic Humidifier Control with O.D. Sensor for up to 50% more Humidity
- Front Cover Access for easy replacement of humidifier pad
- Aluminum Humidifier Pad Treated with Ceramic Coating for Enhanced Pad Performance
- Reliable Brass Solenoid Valve w/Stainless Steel Valve Seat
- UV Resistant Cabinet and Scale Control Insert
- Saddle Valve
- Polyslate Gray Housing matches Furnace Cabinet Color
- EnviroWise nameplate
- 120V Power Line Cord
- 110V Primary/24VA Transformer



EHUMD200A, 300A

EHUMD200,300A

- EHUMD300A Bypass delivers up to 17 Gallons per day
- EHUMD200A delivers up to 12 Gallons per day
- EHUMD300A Automatic Humidifier Control and O.D. Sensor for up to 50% more Humidity
- EHUMD200A Manual Humidifier Control
- UV Resistant Cabinet and Scale Control Insert
- Front Cover Access for easy replacement of humidifier pad
- Aluminum Humidifier Pad Treated with Ceramic Coating for Enhanced Pad Performance
- Reliable Brass Solenoid Valve w/Stainless Steel Valve Seat
- Field Convertible Duct Connection, Left or Right Side
- Built in Summer / Winter Damper
- Saddle Valve
- Polyslate Gray Housing matches Furnace Cabinet Color
- EnviroWise nameplate
- 110V Primary / 24V Secondary 10VA Transformer

Table IAQ-7-A — Specifications: Humidifier with Humidistat

Model Number	Description	Used With	Shipping Weight
EHUMD500APA00C ^{①④}	Fan Powered Humidifier	All Furnace Models	20
EHUMD300ABA00B ^②	Large Bypass Humidifier	All Furnace Models	15
EHUMD200ABM00B ^③	Small Bypass Humidifier	All Furnace Models	14

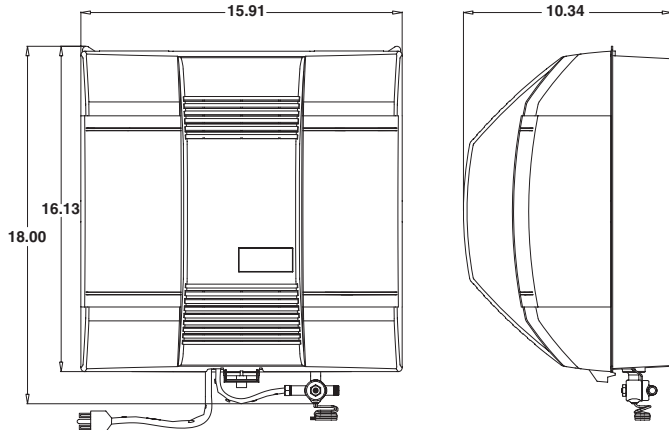
- ① Includes Automatic Humidifier Control (Duct Mount Only).
 ② Includes Automatic Humidifier Control (Duct Mount Only) and 120/24V transformer.
 ③ Includes Manual Humidifier Control and 120/24V transformer.
 ④ Not applicable for horizontal installations.

Table IAQ-7-B — Accessories

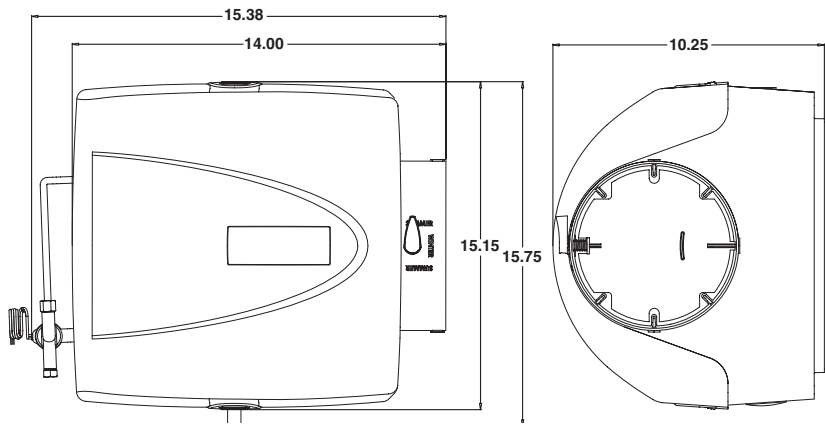
Model Number	Description	Used With
BAYPAD02A1310A	Large Humidifier Pad 13"x10"	EHUMD500,300A
BAYPAD01A1010A	Small Humidifier Pad 9-7/8"x9-5/8"	EHUMD200A
TCONTH01AAUTOA	Automatic Humidifier Control	EHUMD200A
BAYRLY10ASENSA	Current Sensing Relay	All
BAYPLT01AMHCOA	Adapter Plate (Duct Mount)	Manual Humidifier Control

Humidifiers Fan Powered and Bypass

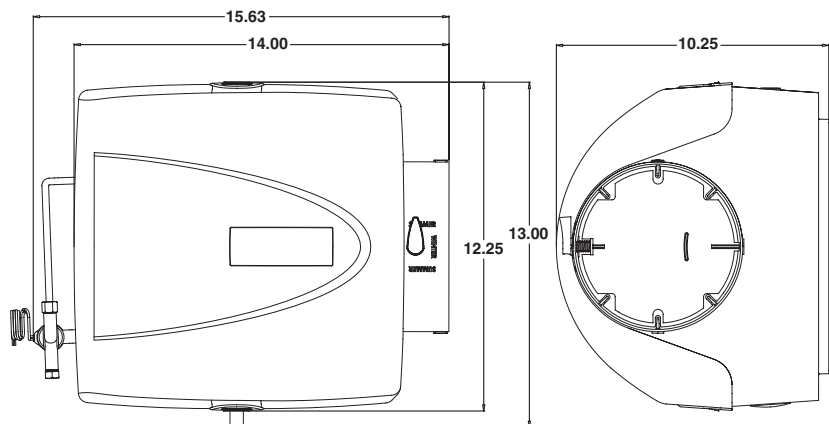
EHUMD500APA00C FAN POWERED HUMIDIFIER



EHUMD300ABA00B LARGE BYPASS HUMIDIFIER



EHUMD200ABM00B SMALL BYPASS HUMIDIFIER

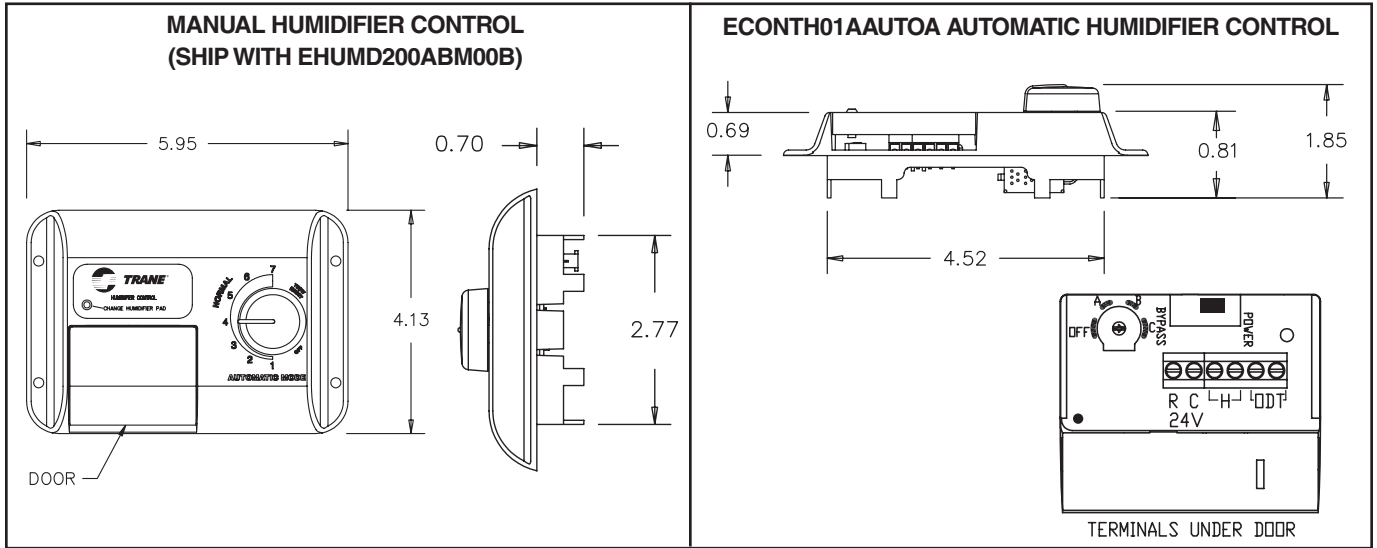


Indoor Air Quality

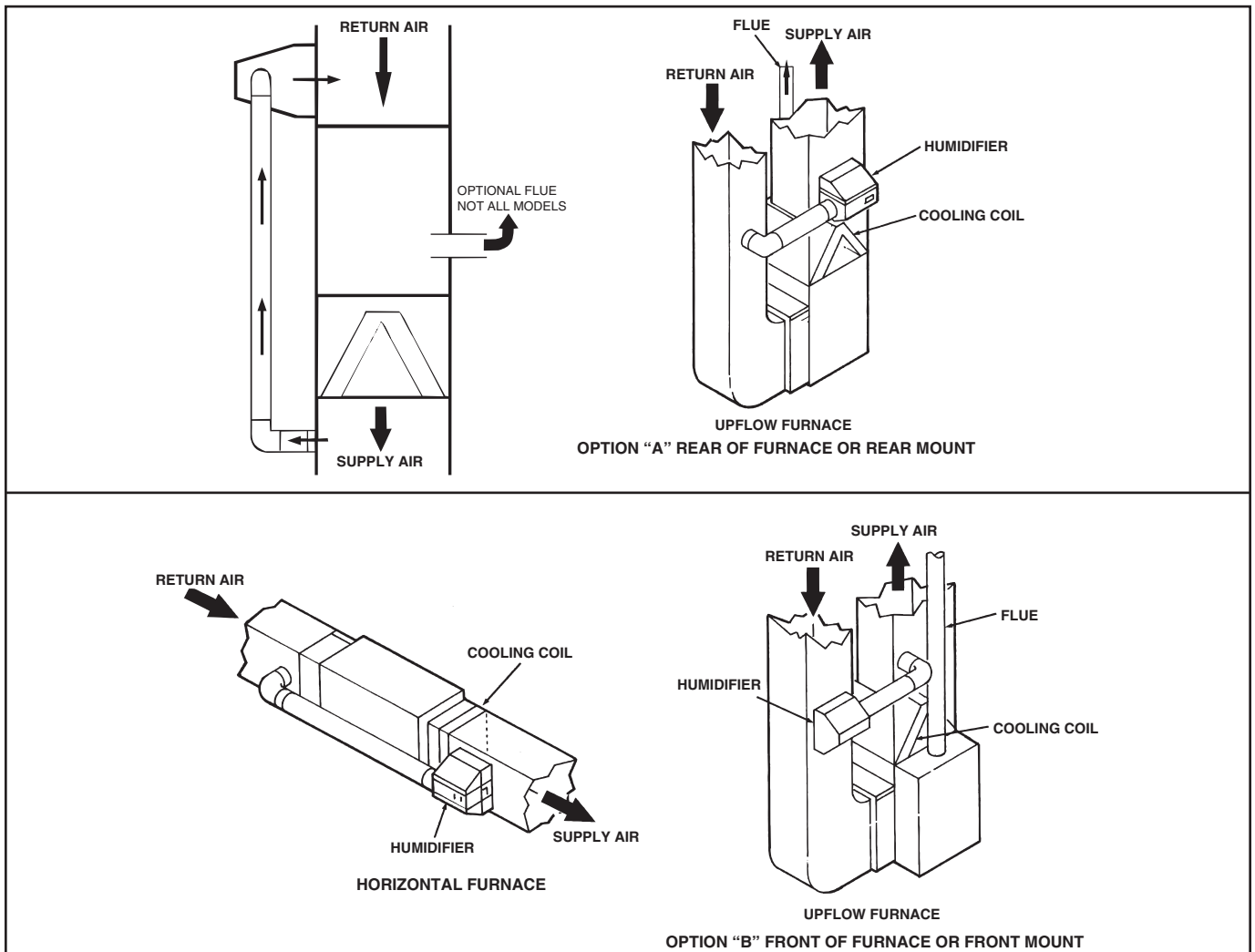


It's Hard To Stop A Trane.®

Humidifiers Fan Powered and Bypass



SUGGESTED BYPASS HUMIDIFIER LOCATIONS



Indoor Air Quality

For complete equipment / combination selections, installation instructions and warranty information, please refer to Product Data/Ratings and/or Installers Guides and Limited Warranty Handbooks.



It's Hard To Stop A Trane.®

EnviroWise™ QF130V Inline Ventilator



EVENQF130V1NAAA

EVENQF130V

- Full ECM motor, adjustable airflow from 30 to 130 cfm
- Programmable to prevent temperature and humidity extremes
- Includes MERV 8 filter for improved indoor air quality
- Quiet fan (.4 – 1.6 Sones) is virtually undetectable when operating
- “On - Off” switch on unit or controlled by 24V remote wired smart thermostat with ventilation software
- Compact design fits between framing members and comes with hanger brackets

Table IAQ-10-A — Specifications: EnviroWise™ QF130V Inline Ventilator

Part Number	Part Description	Dimensions - W"xD"xH"	Weight (lbs)
EVENQF130V1NAAA	Inline Ventilator Fan with Relay	15.75 x 12.75 x 23	18

Table IAQ-10-B — Accessories

Model Number	Description	Dimensions - W"xD"xH"	Weight (lbs)
E1650024	Heater Model EQH400	14.5 x 14 x 10.25	8.25
E1650025	Heater Model EQH900	14.5 x 14 x 10.25	8.25
E1650026	6" Motorized Damper	6.3 x 9.45 x 10.63	4.5
E1955001	6" Screened Wall Cap	9 x 9 x 17	3
E1650123	2 Pack 10x10x2 Filter	10 x 10 x 4	0.95



EDHUM70V1H1MDA

EnviroWise™ QF70V Inline Dehumidifying Ventilator

EDHUM70V

- 62.2 Compliant Ventilation with Dehumidification Control
- Controlled mechanical Ventilation for humid climates, especially Climate Zones 1, 2, and 3
- Automatically turns on compressor when entering air is above enthalpy set-point based on climate setting using on-board sensor
- Ventilation up to 125 cfm – sufficient for a 4BR, 3000 sq.' home
- May be ducted with 100% ventilation air, mixed with indoor air, or used as a ducted or stand-alone dehumidifier
- Standard with MERV 11 pleated filter for improved indoor air quality
- Optional dedicated D30 control or use one of our Nexia (trademark) enabled Thermostats to control ventilation or dehumidification
- Up to 70 pints/per day for dehumidification or up to 30 grains of moisture/lb. of outside air for ventilation

Table IAQ-10-C — Specifications: EnviroWise™ QF70V Inline Ventilator

Part Number	Part Description	Dimensions - W"xD"xH"	Weight (lbs)
EDHUM70V1H1MDA	Ventilating 70 Pint Dehumidifier	12 x 12 x 28 with Collars	55
		12 x 12 x 22 without Collars	54

Table IAQ-10-D — Accessories

Model Number	Description	Dimensions - W"xD"xH"	Efficiency Rating
E4037861	6" Motorized Damper		
E4037863	8" Gravity Damper (70)		
E4037869	Hang Kit, Small (70 & 98)		
E4037874	Filter Case (qty 4)	9"X11"X1"	MERV 11 (70)
E4037887	MERV 14 Filter Housing		
E4037891	Filter Case (qty 3)	20" X 24" X 4"	MERV 14
E4037901	Condensate Pump Kit (70)		
E4037907	6" Inlet Hood		
E4037881	Filter Case (qty 12)	9"X11"X1"	MERV 11 (70)
E4037893	D30 Control		
E4037897	D30R Control w/ Remote		

For complete equipment / combination selections, installation instructions and warranty information, please refer to Product Data/Ratings and/or Installers Guides and Limited Warranty Handbooks.



It's Hard To Stop A Trane.®

Envirowise Whole Home Dehumidifiers with Optional Ventilation



EDHUM098V1H1MDAA



EDHUM1551H1MDAA

- Full Line of Horizontal Dehumidifiers from 98 ppd. To 205 ppd. of moisture removal
- Exclusive XT coil technology means higher efficiency humidity removal rates than standard units
- All Units are Energy Star rated
- All units come with optional ventilation capability to meet ASHRAE 62.2 Ventilation requirements
- Units can be ducted to and wired to operate with HVAC system or can used independently of HVAC system with internal blower and wired control
- Units come standard with MERV 11 filter for improved indoor air quality
- 5 Year Unit Replacement Warranty for Refrigeration Circuit Failures (Registered Warranty)



Table IAQ-11-A — Specifications: Envirowise Whole Home Dehumidifiers with Optional Ventilation

Model Number	Description	Dimensions- W" x H" x L"	Weight (lbs.)
EDHUM70V1H1MDAA	Ventilating Dehumidifier, 50-70 pint category, 1800 sq' ft. capacity	12 x 12 x 28	55
EDHUM0981H1MDAA	Ventilating Dehumidifier, 90-100 pint category, 2300 sq' ft. capacity	14.5 x 19.5 x 32.375	81
EDHUM1051H1MDAA	XT Highest Efficiency Ventilating Dehumidifier, 100-110 pint category, 2500 sq' ft. capacity	20.25 x 21.75 x 41.50	140
EDHUM1551H1MDAA	XT Highest Efficiency Ventilating Dehumidifier, 140-160 pint category, 3500 sq' ft. capacity	20.25 x 21.75 x 41.50	140
EDHUM2051H1MDAA	XT Highest Efficiency Ventilating Dehumidifier, 175-210 pint category, 5000 sq' ft. capacity	20.25 x 21.75 x 41.50	140

Table IAQ-11-B — Accessories

Model Number	Description	Dimensions- W" x H" x L"	Weight (lbs.)
E4037861	6" Motorized Damper	11 6 6	3
E4037863	8" Gravity Damper (70)	12 12 10	2
E4037865	10" Gravity Damper (98,105,155,205,SD12)	12 12 10	3
E4037867	10" Oval to Round Adapter (105,155,205,SD12)	14 14 14	3
E4037869	Hang Kit, Small (70,98)	22 6 6	4
E4037872	Hang Kit, Large (105, 155, 205, SD12)	24 6 6	5
E4037874	Filter Case (qty 4), 9"X11"X1", MERV 11 (70)	12 12 6	2
E4037876	Filter Case (qty 4), 14"X17.5"X1.75", MERV 11 (98)	18 16 8	2
E4037878	Filter Case (qty 4), 16"X20"X2", MERV 11 (120,105,155,205,SD12)	20 20 12	2
E4037881	Filter Case (qty 12), 9"X11"X1", MERV 11 (70)	14 14 14	5
E4037883	Filter Case (qty 12), 14"X17.5"X1.75", MERV 11 (98)	18 18 24	5
E4037885	Filter Case (qty 12), 16"X20"X2", MERV 11 (120,105,155,205,SD12)	25 25 25	8
E4037887	MERV 14 Filter Housing	24 20 8	12
E4037891	Filter Case (qty 3), 20" X 24" X 4", MERV 14 (Filter Housing)	26 20 14	2
E4037893	D30 Control	9 6 2	1
E4037897	D30 Control w/ Remote	8 6 4	1
E4037901	Condensate Pump Kit (70)	14 10 6	5
E4037903	Condensate Pump Kit (98)	14 12 6	5
E4037905	Condensate Pump Kit (105, 155, 205, SD12)	14 10 6	5
E4039581	Condensate Pump Kit (120)	16 14 8	2
E4037907	6" Inlet Hood		

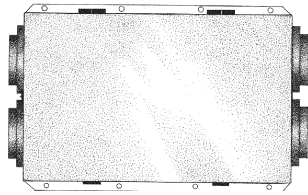
Indoor Air Quality

For complete equipment / combination selections, installation instructions and warranty information, please refer to Product Data/Ratings and/or Installers Guides and Limited Warranty Handbooks.



It's Hard To Stop A Trane.®

FreshEffects™ Energy Recovery Ventilator (ERV)



EERVR

EERVR

- **FreshEffects™** ERV technology for all seasons and climates
- Static plate energy transfer core for efficient transfer of heat and moisture
- Passive defrost - condensate drain not required
- Balancing dampers not required
- Multi position mounting
- Percent Timer (PT) control included with ERV for simple, automatic operation
- Optional Push Button (PB) control connects to PT control
- Pull-down door latches for quick service access
- Heavy gauge, powder painted steel cabinet
- Permanently lubricated motor bearings (ball bearings)
- 6" and 8" double collar duct connections for EERVR100 and 200
- 8" round compatible duct connection for EERVR300
- Closed cell foam gasketing for insulation integrity
- 1" duct board insulation with cleanable foil face
- May be installed in conditioned and unconditioned spaces
- Cabinet / Door color: Trane Polyslate Gray
- **Based Limited Warranty 5-years**
- **Registered Limited Warranty 10-years**
- **MERV 8 replaceable filter included**

Table IAQ-12-A — Specifications: ERV

Model Number	Nominal Airflow (CFM)	Power Supply	Uncrated Dimensions (In.) H x W x D	Shipping Weight
EERVR100A1P00B ^①	130	120/1/60	20 ¹ / ₈ x 28 ³ / ₄ x 13	65
EERVR200A1P00B ^①	200	120/1/60	20 ¹ / ₈ x 28 ³ / ₄ x 23 ⁷ / ₈	85
EERVR300A1P00B ^①	300	120/1/60	20 ¹ / ₈ x 28 ³ / ₄ x 23 ⁷ / ₈	95

^① Percent Timer Control included with the ERV.

Table IAQ-12-B — Specifications: ERV

Model Number	Sensible Recovery Effectiveness(32°F)	Latent Recovery (32°F)	Total Recovery (95°F)
EERVR100A1P00B	72% @ 124 cfm	55% @ 124 cfm	46% @ 126 cfm
EERVR200A1P00B	78% @ 181 cfm	62% @ 181 cfm	52% @ 180 cfm
EERVR300A1P00B	70% @ 295 cfm	51% @ 295 cfm	43% @ 295 cfm

Table IAQ-12-C — Optional Accessories

Model Number	Description	Used With	Shipping Weight
TCONTV10APBC0A	Point of Use Push Button Control	ERV models 100, 200, 300	1
FLR08618	Filters - 2 per pack	ERV models 100	1
FLR08619	Filters - 2 per pack	ERV models 200, 300	1
BAYWHT10AVENTA ^②	6 inch White Vinyl Ventilation Hood	ERV models 100, 200	1
BAYBRN10AVENTA ^②	6 inch Brown Vinyl Ventilation Hood	ERV models 100, 200	1
BAYGLV10AVENTA ^②	8 inch Galvanized Ventilation Hood	ERV models 300	2

^② Qty 1.

Indoor Air Quality