



Product Bulletin

STYLUS™
MINI-SPLIT SYSTEM AIR CONDITIONING, 1 - 5 TONS
CONVERTIBLE MODELS, 60 Hz



Air Handling Models

MCX512 E1
MCX518 E1
MCX524 E1
MCX536 E1
MCX042 E1
MCX048 E1
MCX060 E1

MCX6-PRC804-EN
November 1998



Table of Contents

Features and Benefits	3
System Performance	4
Model Nomenclature	5
General Data	
MCX	6
TTB-C	8
TTR-C	11
TTA-C	13
TTK-L	17
TTK-K	18
Performance Data	
TTB/MCX	20
TTR/MCX	30
TTA/MCX	36
TTK/MCX	44
System Wiring Diagrams	54
Dimensional Data	55

Features and Benefits



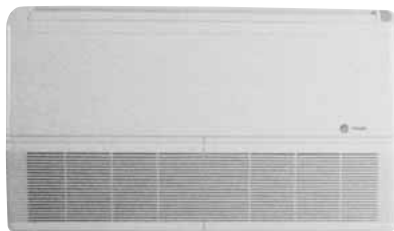
MCX AIR HANDLER

Features:

- L-Shaped Drain Pan
- Insulation— Closed Cell Foam
- Choice of Control and Electric Heat Options
- Models with Air Sweep Available

Benefits:

- Effectively drains condensate regardless of the installed position of the air handler
- Provides clean, dust-free airflow
- Allows for the best selection of features to meet your needs



CONDENSING UNITS

Features:

- Powder Paint Finish
- Fully Charged with R-22
- Innovative Compressor

Benefits:

- Full covering of all edges and a uniform paint finish
- For up to 25 feet (7.5 meters) of piping
- The benefit of Trane's technology development and expertise in compressors.



TTK

MCX6-PRC804-EN



TTA



TTB



System Performance



		Cooling Capacity 95 F Indoor			
Outdoor Unit	Stylus Indoor Unit	MBH	KW	CFM	CMH
TTB012C100A	MCX512E1_H/J	14.8	4.3	400	680
TTB018C100A	MCX518E1_H/J	18.2	5.3	475	808
TTB024C100A	MCX524E1_H/J	22.5	6.6	675	1148
TTB512C100A	MCX512E1_H/J	14.9	4.36	400	680
TTB518C100A	MCX518E1_H/J	17.5	5.13	475	790
TTB524C100A	MCX524E1_H/J	23.4	6.78	675	1148
TTB530C100A	MCX536E1_H	30.9	9.06	915	1556
TTB536C100A	MCX536E1_H	36.2	10.80	915	1556
TTR030C100A	MCX536E1_H	31.5	9.2	915	1556
TTR036C100A	MCX536E1_H	36.2	10.6	915	1556
TTR042C100A	MCX042E1_A	46.1	13.52	1245	2117
TTR048C100A	MCX042E1_A	48.1	14.11	1245	2117
TTR048C100A	MCX048E1_A	48.2	14.11	1200	2040
TTR060C100A	MCX060E1_A	59.7	17.48	1315	2236
TTA030C300A	MCX536E1_H	31.7	9.3	915	1556
TTA030C400A	MCX536E1_H	31.7	9.3	915	1556
TTA036C300A	MCX536E1_H	36.6	10.7	915	1556
TTA036C400A	MCX536E1_H	36.6	10.7	915	1556
TTA042C300A	MCX042E1_A	46.1	13.52	1245	2117
TTA042C400A	MCX042E1_A	46.1	13.52	1245	2117
TTA048C300A	MCX042E1_A	48.1	14.11	1245	2117
TTA048C400A	MCX042E1_A	48.1	14.11	1245	2117
TTA048C300A	MCX048E1_A	48.2	14.11	1200	2040
TTA048C400A	MCX048E1_A	48.2	14.11	1200	2040
TTA060C300A	MCX060E1_A	60.1	17.62	1315	2236
TTA060C400A	MCX060E1_A	60.1	17.62	1315	2236
TTK512P100A	MCX512E_H/J	12.3	3.6	400	680
TTK512L100C	MCX512E1_H/J	12.1	3.5	400	680
TTK518L100C	MCX518E1_H/J	18.4	5.4	475	808
TTK524L100C	MCX524E1_H/J	24.3	7.1	675	1148
TTK530K100C	MCX536E1_H	30.8	9.0	915	1156
TTK536K100C	MCX536E1_H	36.1	10.6	915	1156
TTK536K400C	MCX536E1_H	36.1	10.6	915	1156
TTK042K400A	MCX042E1_A	43.4	12.7	1245	2117
TTK048K400B	MCX048E1_A	48.3	14.2	1200	2040
TTK060K400B	MCX060E1_A	56.7	16.6	1315	2236

MCX-E Models available with optional electric heat, and factory wired or wireless infrared control.



Model Nomenclature

M C X 5 12 E 1 0 R J
1 2 3 4 5,6 7 8 9 10 11

Digit 1

M = Mini-Split

Digit 2

C = Cooling Only

Digit 3 - Configuration

X = Convertible

W = High Wall

D = Concealed

V = Tall Floor

C = Cassette

Digit 4 - Refrigerant Connection

7 = Quick connect

5 = Flare

0 = Sweat (Brazen)

Digit 5,6 - Nominal Capacity

12 = 12 MBH

18 = 18 MBH

24 = 24 MBH

30 = 30 MBH

36 = 36 MBH

42 = 42 MBH

48 = 48 MBH

60 = 60 MBH

Digit 7

E = Development Sequence

Digit 8 - Voltage

B = 220-240/50/1

D = 380-415/50/3

1 = 200-240/60/1

4 = 460/60/3

Digit 9 - Electric Heater

0 = 0 kW

B = 3.5 kW

E = 2 kW

F = 2.5 kW

G = 3 kW

H = 4 kW

J = 5 kW

K = 6 kW

L = 7 kW

Digit 10 - Thermostat Option

R = Wireless Infrared Remote Control

W = Wired Control

Digit 11

J = Design Change



General Data

Product Specifications

Indoor Units	MCX512E10-J MCX512E1E-R(*)	MCX518E10-J MCX518E1F-R(*)	MCX524E10-J MCX524E1B-R(*)	MCX536E10-H MCX536E1J-Q(*)
Power Conn.- Volts/Ph/Hz	200-240/1/60	200-240/1/60	200-240/1/60	200-240/1/60
Fuse Size Max (amps)	Local Code	Local Code	Local Code	Local Code
Indoor Coil-Type	Slit Fin	Slit Fin	Slit Fin	Slit Fin
No. Rows	2	3	3	4
Fins per in. (25.4 mm)	15	15	14	16
Coil Face Area (ft²) (m²)	2.1 (0.19)	2.1 (0.19)	2.8 (0.26)	3.45 (0.32)
Coil Tube Size (in)(mm)	³ / ₈ (9.5)	³ / ₈ (9.5)	³ / ₈ (9.5)	³ / ₈ (9.5)
Refrigerant Control	Capillary Tube	Capillary Tube	Capillary Tube	Capillary Tube
Drain Connections (in)(mm)	³ / ₄ (19)	³ / ₄ (19)	³ / ₄ (19)	³ / ₄ (19)
Indoor Fan-Type	Forward Curved Centrifugal			
Dia./Width-(in) - w/elec. heat	6x7	6x7	6x8	6x7
Dia./Width-(mm)	152x178	152x178	152x203	152x178
Dia./Width-(in)(*) - w/o elec. heat	5x8	5x8	6x8	6x7
Dia./Width-(mm)(*)	127x203	127x203	152x203	152x178
Qty. Used	2	2	2	4
Type Drive-No. Speeds	Direct-3	Direct-3	Direct-3	Direct-3
Air flow (Hi/Med/Lo)				
CFM @ 0.0 in. w.g.	400/350/300	475/400/325	600/505/400	750/685/615
CMH @ 0.0 mm w.g.	680/585/518	810/680/555	1022/858/680	1274/1164/1045
No Motors (HP)-(kW)	1(1/20)-(0.037)	1(1/15)-(0.050)	1(1/10)-(0.075)	2(1/15)-(0.050)
Motor Speed (RPM)-(RPS)	1080-18.0	1150-19.2	1200-20.0	1350-22.5
Volts/Ph/Hz	220/1/60	220/1/60	220/1/60	220/1/60
R.L. Amps	0.48	0.53	0.67	2x0.65
L.R. Amps	0.53	0.59	0.68	2x0.85
Electric Heater Data (*)				
Heater Rating (kW)	2.0	2.5	3.5	5.0 (2 elements)
Heater R.L. Amps	9.1	11.4	15.9	22.7
MCA	12.0	14.9	20.7	30.0
Filters - Furnished	Yes	Yes	Yes	Yes
Quantity	3	3	3	4
Size (HxWxD)				
(in)	1 - 8.0 x 9.8 x 0.19	1 - 8.0 x 9.8 x 0.19	1 - 8.0 x 19.7 x 0.19	2 - 8.0 x 14.8 x 0.19
(mm)	2 - 8.0 x 14.1 x 0.19	2 - 8.0 x 14.1 x 0.19	2 - 8.0 x 14.1 x 0.19	2 - 8.0 x 14.1 x 0.19
	1 - 203 x 250 x 5	1 - 203 x 250 x 5	1 - 203 x 500 x 5	2 - 203 x 376 x 5
	2 - 203 x 357 x 5	2 - 203 x 357 x 5	2 - 203 x 357 x 5	2 - 203 x 357 x 5
Dimensions (HxWxD)				
Crated (shipping) (in)	27.1 x 44.7 x 11.0	27.1 x 44.7 x 11.0	27.1 x 54.6 x 12.0	27.1 x 64.4 x 12.0
(mm)	687 x 1136 x 279	687 x 1136 x 279	687 x 1386 x 304	687 x 1636 x 304
Uncrated (in)	24.7 x 42.7 x 9.6	24.7 x 44.7 x 9.6	24.7 x 52.6 x 10.5	24.7 x 52.6 x 10.5
(mm)	627 x 1085 x 243	627 x 1085 x 243	627 x 1335 x 268	627 x 1335 x 268
Weight - Lbs. (Kg)				
Shipping (Crated)				
Without Elec. Htr.	79 (36)	86 (39)	101 (46)	136 (62)
With Elec Htr	82 (37)	90 (41)	104 (47)	141 (64)
Net (Uncrated)				
Without Elec. Htr.	73 (33)	79 (35)	90 (41)	125 (57)
With Elec. Htr.	75 (34)	82 (37)	93 (42)	130 (59)

11th Digit "H or Q" = Models WITHOUT Air Sweep Feature ; 11th Digit "J or R" = Models WITH Air Sweep Feature
 (*) Models with electric heaters have an alphabetic letter in the ninth digit, i.e., B, E, F and J
 MCA - Minimum Circuit Ampacity; calculated as follows: 125% of heater R.L. Amps plus the fan motor R.L. Amps.



General Data

Product Specifications

Indoor Units	MCX042E10RA MCX042E10WA MCX042E1JRA(*) MCX042E1JWA(*)	MCX048E10RA MCX048E10WA MCX048E1KRA(*) MCX048E1KWA(*)	MCX060E10RA MCX060E10WA MCX060E1LRA(*) MCX060E1LWA(*)
Power Conn. - Volts/Ph/Hz	200-240/1/60	200-240/1/60	200-240/1/60
Fuse Size Max (amps)	Local Code	Local Code	Local Code
Indoor Coil - Type	Slit Fin	Slit Fin	Slit Fin
No. Rows	3	4	4
Fins per in.	16	15	17
Coil Face Area (ft. ²)	4.13	4.13	4.82
Coil Tube Size (in.)	³ / ₈	³ / ₈	³ / ₈
Refrigerant Control	Capillary Tube	Capillary Tube	Capillary Tube
Drain Connections (in.)	³ / ₄	³ / ₄	³ / ₄
Indoor Fan - Type	Forward Curved Centrifugal		
Dia./Width-(in.)	6x9	6x9	6x9
Dia./Width-(mm)	152 x 229	152 x 229	152 x 229
Qty. Used	4	4	4
Type Drive-No. Speeds	Direct-3	Direct-3	Direct-3
Air flow (Hi/Med/Lo)			
CFM @ 0.0 in. w.g.	1200/1050/950	1200/1050/950	1350/1100/975
CMH @ 0.0 mm w.g.	2040/1785/1615	2040/1785/1615	2295/1870/1658
No Motors (HP)-(KW)	2 (1/10)-(0.074)	2 (1/10)-(0.074)	2 (1/10)-(0.074)
Motor Speed (RPM)-(RPS)	1450-24.1	1450-24.1	1450-24.1
Volts/Ph/Hz	220/1/60	220/1/60	220/1/60
R.L. Amps	2x0.73	2x0.73	2x0.73
L.R. Amps	2x1.15	2x1.15	2x1.15
Electric Heater Data(*)			
Heater Rating (kW)	5 (2 elements)	6 (2 elements)	7 (2 elements)
Heater R.L. Amps	22.7	27.2	31.8
MCA	30.2	35.8	41.6
Filters - Furnished	Yes	Yes	Yes
Total Quantity	10	10	12
Quantity per size (HxWxD)	2 - 8.0 x 14.1 x 0.19	2 - 8.0 x 14.1 x 0.19	2 - 8.0 x 14.1 x 0.19
(in.)	2 - 8.0 x 19.7 x 0.19	2 - 8.0 x 19.7 x 0.19	2 - 8.0 x 19.7 x 0.19
	6 - 6.3 x 8.2 x 0.19	6 - 6.3 x 8.2 x 0.19	1 - 8.0 x 10.2 x 0.19
			7 - 6.3 x 8.2 x 0.19
(mm)	2 - 203 x 357 x 5	2 - 203 x 357 x 5	2 - 203 x 357 x 5
	2 - 203 x 500 x 5	2 - 203 x 500 x 5	2 - 203 x 500 x 5
	6 - 160 x 210 x 5	6 - 160 x 210 x 5	1 - 203 x 250 x 5
			7 - 160 x 210 x 5
Dimensions (HxWxD)			
Crated (shipping) (in)	27.3 x 74.3 x 12.6	27.3 x 74.3 x 12.6	27.3 x 84.1 x 12.6
(mm)	694 x 1886 x 319	694 x 1886 x 319	694 x 2136 x 319
Uncrated (in)	24.1 x 72.2 x 10.6	24.1 x 72.2 x 10.6	24.1 x 72.2 x 10.6
(mm)	612 x 1835 x 268	612 x 1835 x 268	612 x 1835 x 268
Weight (Kg)			
Shipping - (crated)			
Without Elec. Htr.	79	82	92
With Elec. Htr.	81	84	95
Net (uncrated)			
Without Elec. Htr.	72	75	84
With Elec. Htr.	74	77	87

11th Digit "H" = Models WITHOUT Air Sweep Feature ; 11th Digit "J" = Models WITH Air Sweep Feature
 (*) Models with electric heaters have an alphabetic letter in the ninth digit, i e, J, K, and L
 MCA - Minimum Circuit Ampacity; calculated as follows: 125% of heater R.L. Amps plus the fan motor R.L. Amps.



General Data

Product Specifications^{1,2}

Outdoor Units	TTB012C100A	TTB018C100A	TTB024C100A
Power Conn. -- Volts/Ph/Hz	200-230/1/60	200-230/1/60	200-230/1/60
Fuse Size - max. amps	Per Local Codes	Per Local Codes	Per Local Codes
Compressor - Type	Climatuff®	Climatuff®	Climatuff®
No. Used-No. Speeds	1-1	1-1	1-1
Volts/Ph/Hz	200-230/1/60	200-230/1/60	200-230/1/60
R.L. Amps ³	7.0	7.0	10.0
L.R. Amps	45.0	45.0	60.0
Outdoor Fan - Type	Propeller	Propeller	Propeller
No. Used	1	1	1
Diameter (in)-(mm)	13.7-348	13.7-348	13.7-348
Type Drive-No. Speeds	Direct-1	Direct-1	Direct-1
CFM @ 0.0 in. w.g.	1485	1485	1425
CMH @ 0.0 mm. w.g.	2523	2523	2421
No. Motors - HP (KW)	1-1/8 (0.093)	1-1/8 (0.093)	1-1/8 (0.093)
Motor Speed (RPM)	1-(1650)	1-(1650)	1-(1650)
F.L. Amps	0.83	0.83	0.83
Outdoor Coil - Type	Spine Fin™	Spine Fin™	Spine Fin™
Rows - Fins/in. (mm)	1 - 24 (1)	1 - 24 (1)	1 - 24 (1)
Face Area (ft ²)-(m ²)	6.62-(.62)	6.62-(.62)	6.62-(.62)
Tube Size (in)-(mm)	3/8-(10)	3/8-(10)	3/8-(10)
Refrigerant			
Lbs. of R-22 ⁴ (kg)	2 lbs., 12 oz. (1.3)	3 lbs., 3 oz. (1.4)	3 lbs., 10 oz. (1.6)
Factory Supplied	Yes	Yes	Yes
Line Size-O.D. Gas ⁵ (in)-(mm)	5/8 (16)	5/8 (16)	3/4 (19)
Line Size-O.D. Liq. ⁵ (in)-(mm)	1/4-(6)	1/4-(6)	5/16-(8)
Dimensions (H x W x D)			
Crated (in)	24.75 x 20.0 x 20.0	24.75 x 20.0 x 20.0	24.75 x 20.0 x 20.0
(mm)	629 x 508 x 508	629 x 508 x 508	629 x 508 x 508
Uncrated (in)	24.3 x 18.3 x 18.3	24.3 x 18.3 x 18.3	24.3 x 18.3 x 18.3
(mm)	617 x 465 x 465	617 x 465 x 465	617 x 465 x 465
Weight - lbs. (kg)			
Shipping	118.0 (53.5)	118.0 (53.5)	130.0 (59.0)
Net	112.0 (50.8)	112.0 (50.8)	125.0 (56.7)

Notes:

¹Rated in accordance with A.R.I. Standard 210/240.

²Rated in accordance with A.R.I. Standard 270.

³At ARI conditions 80 degrees F (DB) 67 degrees F (WB) - 98 degrees F (DB).

⁴Rated for 25 feet (7.5 meters) of evacuated refrigerant piping.

⁵Max. linear length 80 ft; Max. lift — suction 60 ft; Max. length of precharged tubing 50 ft. For greater length refer to Refrigerant Piping Manual, Pub. No. 32-3009.



General Data

Product Specifications ^{1,2}

Outdoor Units	TTB512C100A	TTB518C100A	TTB524C100A
Power Conns.— Volts/Ph/Hz	200-230/1/60	200-230/1/60	200-230/1/60
Fuse Size - max. amps	Per Local Code	Per Local Code	Per Local Code
Compressor	Climatuff®	Climatuff®	Climatuff®
No. Used — No. Speeds	1 — 1	1 — 1	1 — 1
Volts/Ph/Hz	200-230/1/60	200-230/1/60	200-230/1/60
R.L. Amps ³	7.7	7.7	10.8
L.R. Amps	45	45	52
Outdoor Fan — Type	Propeller	Propeller	Propeller
No. Used	1	1	1
Diameter (in.)-(mm)	13.7 (348)	13.7 (348)	13.7 (348)
Type Drive — No. Speeds	Direct — 1	Direct — 1	Direct — 1
CFM @ 0.0 in. w.g.	1485	1485	1425
CMH @ 0.0 mm w.g.	2523	2523	2422
No. Motors HP (KW)	1 - 1/8 (0.093)	1 - 1/8 (0.093)	1 - 1/8 (0.093)
Motor Speed RPM	1620	1620	1620
Volts/Ph/Hz	200-230/1/60	200-230/1/60	200-230/1/60
F.L. Amps	1.1	1.1	1.1
Outdoor Coil — Type	Spine Fin™	Spine Fin™	Spine Fin™
Rows — Fins/in. (mm)	1 - 24 (1)	1 - 24 (1)	1 - 24 (1)
Face Area — ft ² (m ²)	6.62 (.62)	6.62 (.62)	6.62 (.62)
Tube Size — in. (mm)	3/8 (10)	3/8 (10)	3/8 (10)
Refrigerant			
Lbs. of R-22 ⁴ (kg)	2 lbs., 6 oz. (1.1)	3 lbs., 6 oz. (1.5)	3 lbs., 10 oz. (1.6)
Factory Supplied	Yes	Yes	Yes
Line Size — O.D. Gas ⁵ in. (mm)	5/8 (16)	5/8 (16)	3/4 (20)
Line Size — O.D. Liq. ⁵ in. (mm)	1/4 (16)	1/4 (16)	5/16 (8)
Dimensions (H x W x D)			
Crated (in.)	24 3/4 x 20 x 20	24 3/4 x 20 x 20	24 3/4 x 20 x 20
(mm)	629 x 508 x 508	629 x 508 x 508	629 x 508 x 508
Uncrated	See Outline Dwg.	See Outline Dwg.	See Outline Dwg.
Weight - lbs. (kg)			
Shipping	118 (53.5)	118 (53.5)	130 (60.0)
Net	112 (50.8)	112 (50.8)	125 (56.7)

¹Rated in accordance with A.R.I. Standard 210/240.

²Rated in accordance with A.R.I. Standard 270.

³At ARI conditions 80 degrees F (DB) 67 degrees F (WB) - 98 degrees F (DB).

⁴Rated for 25 feet (7.5 meters) of evacuated refrigerant piping.

⁵Max. linear length 80 ft; Max. lift — suction 60 ft; Max. length of precharged tubing 50 ft. For greater length refer to Refrigerant Piping Manual, Pub. No. 32-3009.



General Data

Product Specifications^{1,2}

Outdoor Units	TTB530C100A	TTB536C100A
Power Conns. – Volts/Ph/Hz	200-230/1/60	200-230/1/60
Fuse Size - max. amps	Per Local Code	Per Local Code
Compressor	Climatuff®	Climatuff®
No. Used - No. Speeds	1 - 1	1 - 1
Volts/Ph/Hz	200-230/1/60	200-230/1/60
R.L. Amps ³	13.9	14.9
L.R. Amps	60	79
Outdoor Fan — Type	Propeller	Propeller
No. Used	1	1
Diameter (in.)-(mm)	18 (457)	18 (457)
Type Drive — No. Speeds	Direct - 1	Direct - 1
CFM @ 0.0 in. w.g.	2300	2600
CMH @ 0.0 mm w.g.	3907	4417
No. Motors HP (KW)	1 - 1/8 (0.093)	1 - 1/8 (0.093)
Motor Speed (RPM)	1100	1100
Volts/Ph/Hz	200-230/1/60	200-230/1/60
F.L. Amps	1.30	1.30
Outdoor Coil — Type	Spine Fin™	Spine Fin™
Rows - Fins/in. (mm)	1 — 24 (1)	1 — 24 (1)
Face Area — ft ² (m ²)	10.96 (1.02)	14.93 (1.39)
Tube Size — in. (mm)	3/8 (10)	3/8 (10)
Refrigerant		
Lbs. of R-22 ⁴ (kg)	4 lbs., 15 oz. (2.2)	6 lbs., 11 oz. (3.0)
Factory Supplied	Yes	Yes
Line Size - O.D. Gas ⁵ (in.) (mm)	3/4 (20)	3/4 (20)
Line Size -O.D. Liq. ⁵ (in.) (mm)	5/16 (8)	5/16 (8)
Dimensions (H x W x D)		
Crated (in.)	26 3/7 x 26 7/8 x 26 7/8	33 3/8 x 26 7/8 x 26 7/8
(mm)	670 x 683 x 683	848 x 683 x 683
Uncrated	See Outline Dwg.	See Outline Dwg.
Weight - lbs. (kg)		
Shipping	176 (79.8)	184 (83.5)
Net	166 (75.3)	174 (78.9)

Notes:

¹Rated in accordance with A.R.I. Standard 210/240.

²Rated in accordance with A.R.I. Standard 270.

³At ARI conditions 80 degrees F (DB) 67 degrees F (WB) - 98 degrees F (DB).

⁴Rated for 25 feet (7.5 meters) of evacuated refrigerant piping.

⁵Max. linear length 80 ft; Max. lift — suction 60 ft; Max. length of precharged tubing 50 ft. For greater length refer to Refrigerant Piping Manual, Pub. No. 32-3009.



General Data

Product Specifications^{1,2}

Outdoor Units	TTR030C100A	TTR036C100A	TTR042C100A
Power Conns. — Volts/Ph/Hz	200-230/1/60	200-230/1/60	200-230/1/60
Fuse Size - max. amps	Per Local Code	Per Local Code	Per Local Code
Compressor	Climatuff®	Climatuff®	Climatuff®
No. Used - No. Speeds	1-1	1-1	1-1
Volts/Ph/Hz	200-230/1/60	200-230/1/60	200-230/1/60
R.L. Amps ³	13.8	16.2	22.0
L.R. Amps	79	92	119
Outdoor Fan — Type	Propeller	Propeller	Propeller
No. Used	1	1	1
Diameter (in.) (mm)	18 (457)	18 (457)	18 (457)
Type Drive - No. Speeds	Direct - 1	Direct - 1	Direct - 1
CFM @ 0.0 in. w.g.	1944	2175	2238
CMH @ 0.0 mm w.g.	3302	3695	3802
No. Motors - HP (KW)	1 - 1/5 (.149)	1 - 1/4 (.186)	1 - 1/5 (.149)
Motor Speed (RPM)	1075	1075	1075
Volts/Ph/Hz	200-230/1/60	200-230/1/60	200-230/1/60
F.L. Amps	1.60	1.70	1.60
Outdoor Coil — Type	Spine Fin™	Spine Fin™	Spine Fin™
Rows - Fins/in. (mm)	1 - 24 (1)	1 - 24 (1)	1 - 24 (1)
Face Area (ft ²) (m ²)	12.22 (1.14)	12.22 (1.14)	16.84 (1.57)
Tube Size (in) (mm)	³ / ₈ (10)	³ / ₈ (10)	³ / ₈ (10)
Refrigerant			
Lbs. of R-22 ⁴ (kg)	4 lbs., 10 oz. (2.1)	5 lbs., 12 oz. (2.6)	6 lbs., 14 oz. (3.1)
Factory Supplied	Yes	Yes	Yes
Line Size - in. O.D. Gas ⁵ (mm)	³ / ₄ (20)	⁷ / ₈ (22)	⁷ / ₈ (22)
Line Size - in. O.D. Liq. ⁵ (mm)	⁵ / ₁₆ (8)	³ / ₈ (10)	³ / ₈ (10)
Dimensions (H x W x D)			
Crated (in)	25 x 30 x 26-1/2	25 x 30 x 26-1/2	33-1/4 x 30 x 26-1/2
(mm)	635 x 762 x 673	635 x 762 x 673	845 x 762 x 673
Uncrated	See Outline Dwg.	See Outline Dwg.	See Outline Dwg.
Weight - lbs. (kg)			
Shipping	162 (73)	185 (84)	216 (98)
Net	152 (69)	176 (80)	205 (93)

Notes:

¹Rated in accordance with A.R.I. Standard 210/240.

²Rated in accordance with A.R.I. Standard 270.

³At ARI conditions 80 degrees F (DB) 67 degrees F (WB) - 98 degrees F (DB).

⁴Rated for 25 feet (7.5 meters) of evacuated refrigerant piping.

⁵Max. linear length 80 ft; Max. lift — suction 60 ft; Max. length of precharged tubing 50 ft. For greater length refer to Refrigerant Piping Manual, Pub. No. 32-3009.



General Data

Product Specifications^{1,2}

Outdoor Units	TTR048C100A	TTR060C100A
Power Conns. — Volts/Ph/Hz	200-230/1/60	208-230/1/60
Fuse Size - max. amps	Per Local Code	Per Local Code
Compressor	Climatuff®	Climatuff®
No. Used - No. Speeds	1-1	1-1
Volts/Ph/Hz	200-230/1/60	200-230/1/60
R.L. Amps ³	24.0	29.1
L.R. Amps	119	141
Outdoor Fan — Type	Propeller	Propeller
No. Used	1	1
Diameter (in.) (mm)	18 (457)	22 (559)
Type Drive - No. Speeds	Direct - 1	Direct - 1
CFM @ 0.0 in. w.g.	2215	3031
CMH @ 0.0 mm w.g.	3763	5149
No. Motors - HP (KW)	1 - 1/5 (.149)	1 - 1/4 (.186)
Motor Speed (RPM)	1075	825
Volts/Ph/Hz	200-230/1/60	200-230/1/60
F.L. Amps	1.60	1.90
Outdoor Coil — Type	Spine Fin™	Spine Fin™
Rows - fins/in. (mm)	1 - 24 (1)	1 - 24 (1)
Face Area (ft ²) (m ²)	16.84 (1.57)	25.50 (2.37)
Tube Size (in.) (mm)	³ / ₈ (10)	³ / ₈ (10)
Refrigerant		
Lbs. of R-22 ⁴ (kg)	7 lbs., 2 oz. (3.3)	9 lbs., 2 oz. (4.2)
Factory Supplied	Yes	Yes
Line Size - in. O.D. Gas ⁵ (mm)	1 ¹ / ₈ (30.4)	1 ¹ / ₈ (30.4)
Line Size - in. O.D. Liq. ⁵ (mm)	³ / ₈ (10)	³ / ₈ (10)
Dimensions (H x W x D)		
Crated (in.)	33 ¹ / ₄ x 30 x 26 ¹ / ₂	41 ¹ / ₄ x 34 - 3/4 x 30 ¹ / ₂
(mm)	845 x 762 x 673	1048 x 883 x 775
Uncrated	See Outline Dwg.	See Outline Dwg.
Weight - lbs. (kg)		
Shipping	216 (98)	257 (117)
Net	205 (93)	242 (110)

Notes:

¹Rated in accordance with A.R.I. Standard 210/240.

²Rated in accordance with A.R.I. Standard 270.

³At ARI conditions 80 degrees F (DB) 67 degrees F (WB) - 98 degrees F (DB).

⁴Rated for 25 feet (7.5 meters) of evacuated refrigerant piping.

⁵Max. linear length 80 ft; Max. lift — suction 60 ft; Max. length of precharged tubing 50 ft. For greater length refer to Refrigerant Piping Manual, Pub. No. 32-3009.



General Data

Product Specifications^{1,2}

Outdoor Units	TTA030C300A	TTA030C400A	TTA036C300A
Power Conns. — Volts/Ph/Hz	200-230/3/60	460/3/60	200-230/3/60
Fuse Size - max. amps	Per Local Code	Per Local Code	Per Local Code
Compressor	Climatuff®	Climatuff®	Climatuff®
No. Used - No. Speeds	1-1	1-1	1-1
Volts/Ph/Hz	200-230/3/60	460/3/60	200-230/3/60
R.L. Amps ³	10	5	12
L.R. Amps	75	38	101
Outdoor Fan — Type	Propeller	Propeller	Propeller
No. Used	1	1	1
Diameter (in.) - (mm)	18 (457)	18 (457)	18 (457)
Type Drive - No. Speeds	Direct - 1	Direct - 1	Direct - 1
CFM @ 0.0 in. w.g.	1944	1944	2175
CMH @ 0.0 mm w.g.	3302	3302	3695
No. Motors - HP (KW)	1-1/4 (.186)	1-1/4 (.186)	1-1/4 (.186)
Motor Speed (RPM)	1075	1075	1075
Volts/Ph/Hz	200/230/1/60	460/1/60	200/230/1/60
F.L. Amps	1.7	0.80	1.7
Outdoor Coil — Type	Spine Fin™	Spine Fin™	Spine Fin™
Rows - fins/in. (mm)	1-24 (1)	1-24 (1)	1-24 (1)
Face Area (ft ²) (m ²)	12.22 (1.13)	12.22 (1.13)	12.22 (1.13)
Tube Size (in.) (mm)	3/8 (10)	3/8 (10)	3/8 (10)
Refrigerant			
Lbs. of R-22 ⁴ (kg)	4 lbs., 10 oz. (2.1)	4 lbs., 10 oz. (2.1)	5 lbs., 12 oz. (2.6)
Factory Supplied	Yes	Yes	Yes
Line Size - in. O.D. Gas ⁵ (mm)	3/4 (20)	3/4 (20)	7/8 (22)
Line Size - in. O.D. Liq. ⁵ (mm)	5/16 (8)	5/16 (8)	3/8 (10)
Dimensions (H x W x D)			
Crated (in.)	25 x 26-1/2 x 30	25 x 26-1/2 x 30	25 x 26-1/2 x 30
(mm)	634 x 673 x 762	634 x 673 x 762	634 x 673 x 762
Uncrated	See Outline Dwg.	See Outline Dwg.	See Outline Dwg.
Weight - lbs. (kg)			
Shipping	161 (73)	161 (73)	190 (86)
Net	152 (69)	152 (69)	181 (82)

Notes:

¹Rated in accordance with A.R.I. Standard 210/240.

²Rated in accordance with A.R.I. Standard 270.

³At ARI conditions 80 degrees F (DB) 67 degrees F (WB) - 98 degrees F (DB).

⁴Rated for 25 feet (7.5 meters) of evacuated refrigerant piping.

⁵Max. linear length 80 ft; Max. lift — suction 60 ft; Max. length of precharged tubing 50 ft. For greater length refer to Refrigerant Piping Manual, Pub. No. 32-3009.



General Data

Product Specifications^{1,2}

Outdoor Units	TTA036C400A	TTA042C300A	TTA042C400A
Power Conns. — Volts/Ph/Hz	460/3/60	200-230/3/60	460/3/60
Fuse Size - max. amps	Per Local Code	Per Local Code	Per Local Code
Compressor	Climatuff®	Climatuff®	Climatuff®
No. Used - No. Speeds	1-1	1-1	1-1
Volts/Ph/Hz	460/3/60	200-230/3/60	460/3/60
R.L. Amps ³	5	14.9	6
L.R. Amps	51	101	51
Outdoor Fan — Type	Propeller	Propeller	Propeller
No. Used	1	1	1
Diameter (in.) - (mm)	18 (457)	18 (457)	18 (457)
Type Drive - No. Speeds	Direct - 1	Direct - 1	Direct - 1
CFM @ 0.0 in. w.g.	2175	2238	2238
CMH @ 0.0 mm w.g.	3695	3802	3802
No. Motors - HP (KW)	1-1/4 (.186)	1-1/4 (.186)	1-1/4 (.186)
Motor Speed (RPM)	1075	1075	1075
Volts/Ph/Hz	460/1/60	200-230/1/60	460/1/60
F.L. Amps	0.8	1.7	0.8
Outdoor Coil — Type	Spine Fin™	Spine Fin™	Spine Fin™
Rows - fins/in. (mm)	1-24 (1)	1-24 (1)	1-24 (1)
Face Area (ft ²) (m ²)	12.22 (1.13)	16.84 (1.57)	16.84 (1.57)
Tube Size (in.) (mm)	3/8 (10)	3/8 (10)	3/8 (10)
Refrigerant			
Lbs. of R-22 ⁴ (kg)	5 lbs., 12 oz. (2.6)	6 lbs., 14 oz. (3.1)	6 lbs., 14 oz. (3.1)
Factory Supplied	Yes	Yes	Yes
Line Size - in. O.D. Gas ⁵ (mm)	7/8 (22)	7/8 (22)	7/8 (22)
Line Size - in. O.D. Liq. ⁵ (mm)	3/8 (10)	3/8 (10)	3/8 (10)
Dimensions (H x W x D)			
Crated (in.)	25 x 26-1/2 x 30	33-1/4 x 26-1/2 x 30	33-1/4 x 26-1/2 x 30
(mm)	634 x 673 x 762	845 x 673 x 762	845 x 673 x 762
Uncrated	See Outline Dwg.	See Outline Dwg.	See Outline Dwg.
Weight - lbs. (kg)			
Shipping	190 (86)	211 (96)	211 (96)
Net	181 (82)	200 (91)	200 (91)

Notes:

¹Rated in accordance with A.R.I. Standard 210/240.

²Rated in accordance with A.R.I. Standard 270.

³At ARI conditions 80 degrees F (DB) 67 degrees F (WB) - 98 degrees F (DB).

⁴Rated for 25 feet (7.5 meters) of evacuated refrigerant piping.

⁵Max. linear length 80 ft; Max. lift — suction 60 ft; Max. length of precharged tubing 50 ft. For greater length refer to Refrigerant Piping Manual, Pub. No. 32-3009.



General Data

Product Specifications^{1,2}

	TTA048C300A	TTA048C400A
Outdoor Units		
Power Conns. — Volts/Ph/Hz	200-230/3/60	460/3/60
Fuse Size - max. amps	Per Local Code	Per Local Code
Compressor	Climatuff®	Climatuff®
No. Used - No. Speeds	1-1	1-1
Volts/Ph/Hz	200-230/3/60	460/3/60
R.L. Amps ³	16	7
L.R. Amps	101	51
Outdoor Fan — Type	Propeller	Propeller
No. Used	1	1
Diameter (in.) - (mm)	18 (457)	18 (457)
Type Drive - No. Speeds	Direct - 1	Direct - 1
CFM @ 0.0 in. w.g.	2215	2215
CMH @ 0.0 mm w.g.	3763	3763
No. Motors - HP (KW)	1-1/4 (.186)	1-1/4 (.186)
Motor Speed (RPM)	1075	1075
Volts/Ph/Hz	200-230/1/60	460/1/60
F.L. Amps	1.7	0.80
Outdoor Coil — Type	Spine Fin™	Spine Fin™
Rows - fins/in. (mm)	1-24 (1)	1-24 (1)
Face Area (ft ²) (m ²)	16.84 (1.57)	16.84 (1.57)
Tube Size (in.) (mm)	3/8 (10)	3/8 (10)
Refrigerant		
Lbs. of R-22 ⁴ (kg)	7 lbs., 2 oz. (3.2)	7 lbs., 2 oz. (3.2)
Factory Supplied	Yes	Yes
Line Size - in. O.D. Gas ⁵ (mm)	1 1/8 (30.4)	1 1/8 (30.4)
Line Size - in. O.D. Liq. ⁵ (mm)	3/8 (10)	3/8 (10)
Dimensions (H x W x D)		
Crated (in.)	33 1/4 x 26 1/2 x 30	33 1/4 x 26 1/2 x 30
(mm)	845 x 673 x 762	845 x 673 x 762
Uncrated	See Outline Dwg.	See Outline Dwg.
Weight - lbs. (kg)		
Shipping	211 (96)	211 (96)
Net	200 (91)	200 (91)

Notes:

¹Rated in accordance with A.R.I. Standard 210/240.

²Rated in accordance with A.R.I. Standard 270.

³At ARI conditions 80 degrees F (DB) 67 degrees F (WB) - 98 degrees F (DB).

⁴Rated for 25 feet (7.5 meters) of evacuated refrigerant piping.

⁵Max. linear length 80 ft; Max. lift — suction 60 ft; Max. length of precharged tubing 50 ft. For greater length refer to Refrigerant Piping Manual, Pub. No. 32-3009.



General Data

Product Specifications^{1,2}

Outdoor Units	TTA060C300A	TTA060C400A
Power Conns. — Volts/Ph/Hz	200-230/3/60	460/3/60
Fuse Size - max. amps	Per Local Code	Per Local Code
Compressor	Climatuff®	Climatuff®
No. Used - No. Speeds	1-1	1-1
Volts/Ph/Hz	200-230/3/60	460/3/60
R.L. Amps ³	19	9
L.R. Amps	139	71
Outdoor Fan — Type	Propeller	Propeller
No. Used	1	1
Diameter (in.) - (mm)	22 (559)	22 (559)
Type Drive - No. Speeds	Direct - 1	Direct - 1
CFM @ 0.0 in. w.g.	3031	3031
CMH @ 0.0 mm w.g.	5149	5149
No. Motors - HP (KW)	1-1/4 (.186)	1-1/3 (.246)
Motor Speed (RPM)	825	825
Volts/Ph/Hz	200-230/1/60	460/1/60
F.L. Amps	1.9	1.0
Outdoor Coil — Type	Spine Fin™	Spine Fin™
Rows - fins/in. (mm)	1-24 (1)	1-24 (1)
Face Area (ft ²) (m ²)	25.50 (2.37)	25.50 (2.37)
Tube Size (in.) (mm)	³ / ₈ (10)	³ / ₈ (10)
Refrigerant		
Lbs. of R-22 ⁴ (kg)	9 lbs., 2 oz. (4.1)	9 lbs., 2 oz. (4.1)
Factory Supplied	Yes	Yes
Line Size - in. O.D. Gas ⁵ (mm)	1 ¹ / ₈ (30.4)	1 ¹ / ₈ (30.4)
Line Size - in. O.D. Liq. ⁵ (mm)	³ / ₈ (10)	³ / ₈ (10)
Dimensions (H x W x D)		
Crated (in.)	41 ¹ / ₄ x 34 ³ / ₄ x 30 ¹ / ₂	41 ¹ / ₄ X 34 ³ / ₄ X 30 ¹ / ₂
(mm)	1048 x 883 x 775	1048 x 883 x 775
Uncrated	See Outline Dwg.	See Outline Dwg.
Weight - lbs. (kg)		
Shipping	254 (115)	254 (115)
Net	239 (108)	239 (108)

Notes:

¹Rated in accordance with A.R.I. Standard 210/240.

²Rated in accordance with A.R.I. Standard 270.

³At ARI conditions 80 degrees F (DB) 67 degrees F (WB) - 98 degrees F (DB).

⁴Rated for 25 feet (7.5 meters) of evacuated refrigerant piping.

⁵Max. linear length 80 ft; Max. lift — suction 60 ft; Max. length of precharged tubing 50 ft. For greater length refer to Refrigerant Piping Manual, Pub. No. 32-3009.



General Data

Product Specifications^{1,2}

Outdoor Units	TTK512L100C	TTK518L100C	TTK524L100C
Power Conn. - Volts/Ph/Hz	200-240/1/60	200-240/1/60	200-240/1/60
Fuse Size - max amps	Per Local Code	Per Local Code	Per Local Code
Compressor - Type	Rotary	Rotary	Rotary
No. Used-No. Speeds	1-1	1-1	1-1
R.L. Amps ³	5.2	9.1	10.8
L.R. Amps	29.0	51.0	52.0
Outdoor Fan - Type	Propeller	Propeller	Propeller
No. Used	1	1	1
Diameter (in)-(mm)	18 (457)	18 (457)	18 (457)
Type Drive-No. Speeds	Direct-1	Direct-1	Direct-1
CFM @ 0.0 in w.g.	1490	1360	1360
CMH @ 0.0 mm w.g.	2530	2310	2310
No. Motors-HP (KW)	1-1/5 (.149)	1-1/15 (.044)	1-1/15 (.044)
Motor Speed (RPM)	940	910	910
Volts/Ph/Hz	200-240/1/60	200-240/1/60	200-240/1/60
L.R. Amps	0.67	0.67	0.67
Outdoor Coil - Type	Plate Fin	Plate Fin	Plate Fin
Rows - fins/in. (mm)	1 - 14 (.8)	2 - 14 (.8)	2 - 14 (.8)
Face Area (ft ²)-(m ²)	4.74-0.44	4.74-0.44	4.74-0.44
Tube Size (in)-(mm)	³ / ₈ (10)	³ / ₈ (10)	³ / ₈ (10)
Refrigerant			
Lbs. of R-22 ⁴	2 lbs., 15 oz (1.36)	4 lbs., 7oz. (2.01)	5 lbs., 5 oz. (2.4)
Line Size-O.D. Gas ⁵ (in)-(mm)	¹ / ₂ - 12.7	¹ / ₂ - 12.7	⁵ / ₈ - 15.9
Line Size-O.D. Liq. ⁵ (in)-(mm)	¹ / ₄ - 6.35	¹ / ₄ - 6.35	¹ / ₄ - 6.35
Dimensions (H x W x D)			
Crated (in)	25.5 x 37.7 x 16.0	25.5 x 37.7 x 16.0	25.5 x 37.7 x 16.0
(mm)	648 x 958 x 406	648 x 958 x 406	648 x 958 x 406
Uncrated (in)	23.2 x 32.7 x 15.0	23.2 x 32.7 x 15.0	23.2 x 32.7 x 15.0
(mm)	590 x 830 x 380	590 x 830 x 380	590 x 830 x 380
Weight - lbs. (Kg)			
Shipping	93.5 (42.5)	125.4 (57.0)	133.1 (60.5)
Net	82.5 (37.5)	114.4 (52.0)	122.1 (55.5)

Notes:

¹Rated in accordance with A.R.I. Standard 210/240.

²Rated in accordance with A.R.I. Standard 270.

³At ARI conditions 80 degrees F (DB) 67 degrees F (WB) - 98 degrees F (DB).

⁴Rated for 25 feet (7.5 meters) of evacuated refrigerant piping.

⁵Max. linear length 80 ft; Max. lift — suction 60 ft; Max. length of precharged tubing 50 ft. For greater length refer to Refrigerant Piping Manual, Pub. No. 32-3009.



General Data

Product Specifications^{1,2}

Outdoor Units	TTK530K100C	TTK536K100C	TTK536K400C
Power Conn. - Volts/Ph/Hz	200-240/1/60	200-240/1/60	460/3/60
Fuse Size - max amps	Per Local Code	Per Local Code	Per Local Code
Compressor - Type	Reciprocating	Reciprocating	Reciprocating
No. Used - No. Speeds	1-1	1-1	1-1
R.L. Amps ³	17.3	21.0	7.1
L.R. Amps	75.8	100.0	34.0
Outdoor Fan - Type	Propeller	Propeller	Propeller
No. Used	1	1	1
Diameter (in)-(mm)	20 (508)	20 (508)	20 (508)
Type Drive-No. Speeds	Direct-1	Direct-1	Direct-1
CFM @ 0.0 in w.g.	2130	2130	2130
CHM @ 0.0 mm w.g.	3619	3619	3619
No. Motors - HP (KW)	1-1/6 (.134)	1-1/6 (.134)	1-1/6 (.134)
Motor Speed (RPM)	1-(860)	1-(860)	1-(860)
Volts/Ph/Hz	200-240/1/60	200-240/1/60	200-240/1/60
L.R. Amps	1.47	1.47	1.47
Outdoor Coil - Type	Plate Fin	Plate Fin	Plate Fin
Rows - fins/in. (mm)	2 - 16 (.9)	2 - 16 (.9)	2 - 16 (.9)
Face Area (ft ²)-(m ²)	7.29-0.68	7.29-0.68	7.29-0.68
Tube Size (in)-(mm)	³ / ₈ (10)	³ / ₈ (10)	³ / ₈ (10)
Refrigerant			
Lbs. of R-22 ⁴ (kg)	6 lbs., 12 oz. (3.1)	7 lbs., 11 oz. (3.5)	7 lbs., 11 oz. (3.5)
Line Size-O.D. Gas ⁵ (in)-(mm)	⁵ / ₈ (16)	³ / ₄ (19.0)	³ / ₄ (19.0)
Line Size-O.D. Liq. ⁵ (in)-(mm)	³ / ₈ (10)	³ / ₈ (10)	³ / ₈ (10)
Dimensions (H x W x D)			
Crated (in)	34.5 x 45.1 x 17.2	34.5 x 45.1 x 17.2	34.5 x 45.1 x 17.2
(mm)	876 x 1146 x 437	876 x 1146 x 437	876 x 1146 x 437
Uncrated (in)	31.3 x 40.0 x 14.2	31.3 x 40.0 x 14.2	31.3 x 40.0 x 14.2
(mm)	795 x 1018 x 380	795 x 1018 x 380	795 x 1018 x 380
Weight - lbs. (Kg.)			
Shipping	178.9 (81.3)	183.3 (83.3)	185.2 (84.2)
Net	163.5 (74.3)	167.9 (76.3)	169.8 (77.2)

Notes:

¹Rated in accordance with A.R.I. Standard 210/240.

²Rated in accordance with A.R.I. Standard 270.

³At ARI conditions 80 degrees F (DB) 67 degrees F (WB) - 98 degrees F (DB).

⁴Rated for 25 feet (7.5 meters) of evacuated refrigerant piping.

⁵Max. linear length 80 ft; Max. lift — suction 60 ft; Max. length of precharged tubing 50 ft. For greater length refer to Refrigerant Piping Manual, Pub. No. 32-3009.



General Data

Product Specifications^{1,2}

Outdoor Units	TTK042K400A	TTK048K400A	TTK060K400D
Power Conn - Volts/Ph/Hz	460/3/60	460/3/60	460/3/60
Fuse Size - max amps	Per Local Code	Per Local Code	Per Local Code
Compressor - Type	Reciprocating	Reciprocating	Reciprocating
No. Used - No. Speeds	1--1	1--1	1--1
R.L. Amps ³	8.2	8.96	9.6
L.R. Amps	42.0	45.0	65.0
Outdoor Fan - Type	Propeller	Propeller	Propeller
No. Used	1	2	2
Diameter (in)-(mm)	20 (508)	18 (457)	18 (457)
Drive Type - No. Speeds	Direct-1	Direct-1	Direct-1
CFM @ 0.0 in w.g.	2130	2690	2690
CMH @ 0.0 mm w.g.	3619	4570	4570
No. Motors HP (KW)	1-1/6 (.134)	2-1/15	2-1/15
Motor Speed (RPM)	900	900	900
Volts/Ph/Hz	460/3/60	460/3/60	460/3/60
L.R. Amps	1.65	2-0.84	2-0.84
Outdoor Coil - Type	Louver Fin	Louver Fin	Louver Fin
Rows - fins/in. (mm)	2 - 20 (.09)	2 - 17 (.07)	2 - 21 (.07)
Face Area - ft ² - (m ²)	7.29 (0.68)	11.67 (1.08)	11.67 (1.08)
Tube Size - in - (mm)	3/8 (10)	3/8 (10)	3/8 (10)
Refrigerant Charge			
Lbs. of R-22 ⁴ (kg)	8 lbs., 8.4 oz. (3.9)	7 lbs., 12 oz. (3.5)	8 lbs., 12 oz. (4.0)
Line Size-O.D. Gas ⁵ (in.)-(mm)	7/8 (22)	1 1/8 (29)	1 1/8 (29)
Line Size-O.D. Liq ⁵ (in.)-(mm)	3/8 (10)	3/8 (10)	3/8 (10)
Dimensions (H x W x D)			
Crated (shipping) (in)	34.5 x 45.1 x 17.2	54 x 43 x 17.7	54 x 43 x 17.7
(mm)	876 x 1146 x 437	1380 x 1090 x 450	1380 x 1090 x 450
Uncrated (in)	31.3 x 40.0 x 14.2	49.37 x 38.88 x 13.75	49.37 x 38.88 x 13.75
(mm)	795 x 1018 x 380	1254 x 988 x 350	1254 x 988 x 350
Weight - lbs. (Kg)			
Shipping (crated)	196.8 (89.4)	253.4 (115)	264.4 (120)
Net (uncrated)	181.4 (82.4)	213.8 (97)	224.8 (102)

Notes:

¹Rated in accordance with A.R.I. Standard 210/240.

²Rated in accordance with A.R.I. Standard 270.

³At ARI conditions 80 degrees F (DB) 67 degrees F (WB) - 98 degrees F (DB).

⁴Rated for 25 feet (7.5 meters) of evacuated refrigerant piping.

⁵Max. linear length 80 ft; Max. lift — suction 60 ft; Max. length of precharged tubing 50 ft. For greater length refer to Refrigerant Piping Manual, Pub. No. 32-3009.



Performance Data Cooling

English Units

TTB012C100A WITH MCX512E1 AT 400 CFM GROSS CAPACITY IN BTU/H x 1000

O.D. D.B.	I.D. W.B.	GROSS CAP.	SENS. CAP. AT ENTERING D.B. TEMP.				COMPR. KW	
			72	74	76	78		80
85	61	13.6	9.0	9.7	10.5	11.2	11.6	1.31
	65	14.7	7.4	8.2	8.9	9.7	10.5	1.36
	67	15.3	6.6	7.4	8.1	8.9	9.7	1.39
	71	16.4	4.9	5.7	6.5	7.3	8.0	1.44
95	61	13.2	8.8	9.6	10.3	11.0	11.6	1.42
	65	14.3	7.3	8.0	8.8	9.5	10.3	1.47
	67	14.8	6.4	7.2	8.0	8.7	9.5	1.51
	71	15.9	4.8	5.6	6.3	7.1	7.9	1.56
105	61	12.7	8.5	9.3	10.0	10.6	11.2	1.55
	65	13.7	7.0	7.7	8.5	9.2	10.0	1.60
	67	14.3	6.2	6.9	7.7	8.4	9.2	1.63
	71	15.3	5.3	5.3	6.0	6.8	7.6	1.70
115	61	12.1	8.3	9.0	9.7	10.3	10.8	1.67
	65	13.1	6.7	7.5	8.2	9.0	9.7	1.74
	67	13.6	5.9	6.7	7.4	8.2	8.9	1.77
	71	14.6	4.3	5.0	5.8	6.6	7.3	1.83

*Dry coil condition (Gross Capacity = Sensible Capacity)
Gross Capacity and Comp. KW are valid only for Wet Coil

Performance at the Rating Conditions of 80/67 & 95 F
GROSS CAPACITY: 14.8 MBH
AIRFLOW: 400 CFM
SYSTEM POWER: 1779 WATTS
NOM. SYSTEM AMPS: 8.2 AMPS

TTB018C100A WITH MCX518E1 AT 475 CFM GROSS CAPACITY IN BTU/H x 1000

O.D. D.B.	I.D. W.B.	GROSS CAP.	SENS. CAP. AT ENTERING D.B. TEMP.				COMPR. KW	
			72	74	76	78		80
85	61	16.7	10.9	11.9	12.8	13.7	14.2	1.36
	65	18.1	9.1	10.0	10.9	11.9	12.8	1.41
	67	18.8	8.1	9.0	9.9	10.9	11.8	1.44
	71	20.2	6.0	7.0	7.9	8.9	9.8	1.50
95	61	16.3	10.8	11.7	12.6	13.4	14.2	1.47
	65	17.5	8.9	9.8	10.7	11.7	12.6	1.53
	67	18.2	7.9	8.8	9.7	10.7	11.6	1.57
	71	19.6	5.9	6.8	7.7	8.6	9.6	1.63
105	61	15.6	10.4	11.3	12.2	12.9	13.7	1.61
	65	16.9	8.5	9.4	10.4	11.3	12.2	1.67
	67	17.5	7.5	8.4	9.4	10.3	11.2	1.70
	71	18.8	6.4	6.5	7.4	8.3	9.2	1.77
115	61	14.9	10.1	11.0	11.8	12.6	13.2	1.74
	65	16.1	8.2	9.1	10.0	11.0	11.9	1.81
	67	16.7	7.2	8.2	9.1	10.0	10.9	1.84
	71	18.0	5.2	6.1	7.1	8.0	8.9	1.90

*Dry coil condition (Gross Capacity = Sensible Capacity)
Gross Capacity and Comp. KW are valid only for Wet Coil

Performance at the Rating Conditions of 80/67 & 95 F
GROSS CAPACITY: 18.2 MBH
AIRFLOW: 475 CFM
SYSTEM POWER: 1846 WATTS
NOM. SYSTEM AMPS: 8.6 AMPS



Performance Data Cooling

Metric Units

TTB012C100A WITH MCX512E1 AT 680 CMH GROSS CAPACITY IN KILOWATTS

O.D. D.B.	I.D. W.B.	GROSS CAP.	SENS. CAP. AT ENTERING		D.B. TEMP.		COMPR. KW	
			22.5	23.5	24.5	25.5	26.5	
30	16	4.0	2.6	2.9	3.1	3.3	3.4	1.31
	18	4.3	2.2	2.4	2.6	2.8	3.1	1.36
	19.5	4.5	1.9	2.2	2.4	2.6	2.8	1.39
35	22	4.8	1.4	1.7	1.9	2.1	2.3	1.44
	16	3.9	2.6	2.8	3.0	3.2	3.4	1.42
	18	4.2	2.1	2.3	2.6	2.8	3.0	1.47
40	19.5	4.3	1.9	2.1	2.3	2.6	2.8	1.51
	22	4.7	1.4	1.6	1.9	2.1	2.3	1.56
	16	3.7	2.5	2.7	2.9	3.1	3.3	1.55
45	18	4.0	2.0	2.3	2.5	2.7	2.9	1.60
	19.5	4.2	1.8	2.0	2.2	2.5	2.7	1.63
	22	4.5	1.5	1.6	1.8	2.0	2.2	1.70
45	16	3.6	2.4	2.6	2.8	3.0	3.2	1.67
	18	3.8	2.0	2.2	2.4	2.6	2.9	1.74
	19.5	4.0	1.7	2.0	2.2	2.4	2.6	1.77
	22	4.3	1.3	1.5	1.7	1.9	2.1	1.83

*Dry coil condition (Gross Capacity = Sensible Capacity)
Gross Capacity and Comp. KW are valid only for Wet Coil

Performance at the Rating Conditions of 26.5/19.5 & 35 C
GROSS CAPACITY: 4.3 KW
AIRFLOW: 680 CMH
SYSTEM POWER: 1779 WATTS
NOM. SYSTEM AMPS: 8.2 AMPS

TTB018C100A WITH MCX518E1 AT 808 CMH GROSS CAPACITY IN KILOWATTS

O.D. D.B.	I.D. W.B.	GROSS CAP.	SENS. CAP. AT ENTERING		D.B. TEMP.		COMPR. KW	
			22.5	23.5	24.5	25.5	26.5	
30	16	4.9	3.2	3.5	3.7	4.0	4.2	1.36
	18	5.3	2.7	2.9	3.2	3.5	3.7	1.41
	19.5	5.5	2.4	2.6	2.9	3.2	3.5	1.44
35	22	5.9	1.8	2.0	2.3	2.6	2.9	1.50
	16	4.8	3.2	3.4	3.7	3.9	4.2	1.47
	18	5.1	2.6	2.9	3.1	3.4	3.7	1.53
40	19.5	5.3	2.3	2.6	2.9	3.1	3.4	1.57
	22	5.7	1.7	2.0	2.3	2.5	2.8	1.63
	16	4.6	3.0	3.3	3.6	3.8	4.0	1.61
45	18	4.9	2.5	2.8	3.0	3.3	3.6	1.67
	19.5	5.1	2.2	2.5	2.7	3.0	3.3	1.70
	22	5.5	1.9	1.9	2.2	2.4	2.7	1.77
45	16	4.4	3.0	3.2	3.5	3.7	3.9	1.74
	18	4.7	2.4	2.7	2.9	3.2	3.5	1.81
	19.5	4.9	2.1	2.4	2.7	2.9	36.2	1.84
	22	5.3	1.5	1.8	2.1	2.3	2.6	1.90

*Dry coil condition (Gross Capacity = Sensible Capacity)
Gross Capacity and Comp. KW are valid only for Wet Coil

Performance at the Rating Conditions of 26.5/19.5 & 35 C
GROSS CAPACITY: 5.3 KW
AIRFLOW: 808 CMH
SYSTEM POWER: 1846 WATTS
NOM. SYSTEM AMPS: 8.6 AMPS



Performance Data Cooling

English Units

TTB024C100A WITH MCX524E1 AT 675 CFM

GROSS CAPACITY IN BTU/H x 1000

O.D. D.B.	I.D. W.B.	GROSS CAP.	SENS. CAP. AT ENTERING D.B. TEMP.				COMPR. KW	
			72	74	76	78		80
85	61	20.7	14.7	16.0	17.2	18.4	19.1	1.64
	65	22.3	12.2	13.5	14.7	16.0	17.2	1.70
	67	23.2	10.9	12.1	13.4	14.6	15.9	1.74
	71	24.9	8.1	9.4	10.6	11.9	13.1	1.81
95	61	20.1	14.5	15.7	17.0	18.0	19.1	1.77
	65	21.7	11.9	13.2	14.5	15.7	16.9	1.85
	67	22.5	10.6	11.9	13.1	14.4	15.6	1.88
	71	24.2	7.9	9.1	10.4	11.6	12.9	1.96
105	61	19.3	14.0	15.2	16.4	17.4	18.4	1.93
	65	20.8	11.5	12.7	13.9	15.2	16.4	2.01
	67	21.7	10.1	11.3	12.6	13.8	15.1	2.05
	71	23.2	8.7	8.7	9.9	11.2	12.4	2.13
115	61	18.5	13.6	14.8	15.9	16.9	17.8	2.09
	65	19.9	11.0	12.3	13.5	14.8	16.0	2.17
	67	20.7	9.7	11.0	12.2	13.4	14.7	2.21
	71	22.3	7.1	8.3	9.5	10.8	12.0	2.29

*Dry coil condition (Gross Capacity = Sensible Capacity)
Gross Capacity and Comp. KW are valid only for Wet Coil

Performance at the Rating Conditions of 80/67 & 95 F
 GROSS CAPACITY: 22.5 MBH
 AIRFLOW: 675 CFM
 SYSTEM POWER: 2195 WATTS
 NOM. SYSTEM AMPS: 11.4 AMPS



Performance Data Cooling

Metric Units

TTB024C100A WITH MCX524E1 AT 1148 CMH GROSS CAPACITY IN KILOWATTS

O.D. D.B.	I.D. W.B.	GROSS CAP.	SENS. CAP. AT ENTERING D.B. TEMP.			COMPR. KW		
			22.5	23.5	24.5		25.5	26.5
30	16	6.1	4.3	4.7	5.0	5.4	5.6	1.64
	18	3.5	3.6	3.9	4.3	4.7	5.0	1.70
	19.5	6.8	3.2	3.5	3.9	4.3	4.6	1.74
35	16	5.9	4.3	4.6	5.0	5.3	5.6	1.77
	18	6.4	3.5	3.9	4.2	4.6	5.0	1.85
	19.5	6.6	3.1	3.5	3.8	4.2	4.6	1.88
	22	7.1	2.3	2.7	3.0	3.4	3.8	1.96
40	16	5.7	4.1	4.5	4.8	5.1	5.4	1.93
	18	6.1	3.4	3.7	4.1	4.4	4.8	2.01
	19.5	6.3	3.0	3.3	3.7	4.1	4.4	2.05
	22	6.8	2.5	2.5	2.9	3.3	3.6	2.13
45	16	5.4	4.0	4.3	4.7	5.0	5.2	2.09
	18	5.8	3.2	3.6	4.0	4.3	4.7	2.17
	19.5	6.1	2.8	3.2	3.6	3.9	4.3	2.21
	22	6.5	2.1	2.4	2.8	3.2	3.5	2.29

*Dry coil condition (Gross Capacity = Sensible Capacity)
Gross Capacity and Comp. KW are valid only for Wet Coil

Performance at the Rating Conditions of 80/67 & 95 F
 GROSS CAPACITY: 22.5 MBH
 AIRFLOW: 1148 CMH
 SYSTEM POWER: 2195 WATTS
 NOM. SYSTEM AMPS: 11.4 AMPS



Performance Data Cooling

English Units

TTB512C1 WITH MCX512E1 AT 400 CFM GROSS CAPACITY IN BTU/H x 1000

O.D. D.B.	I.D. W.B.	TOTAL CAP.	SENS. CAP. AT ENTERING D.B. TEMP.				COMPR. KW	DEW DEW PT.	
			72	74	76	78	80		
85	59	12.5	9.6	10.3	11.0	11.7	12.3	1.16	42.9
	63	13.6	8.4	9.0	9.7	10.4	11.1	1.19	47.2
	67	14.7	7.0	7.6	8.3	9.0	9.7	1.22	50.9
	71	15.9	5.5	6.2	6.8	7.5	8.2	1.26	54.8
90	59	12.6	9.7	10.3	11.0	11.7	12.4	1.23	42.7
	63	13.6	8.4	9.1	9.8	10.4	11.1	1.26	47.0
	67	14.8	7.0	7.7	8.3	9.0	9.7	1.29	50.8
	71	15.9	5.5	6.2	6.9	7.6	8.2	1.33	54.7
95	59	12.6	9.7	10.4	11.0	11.7	12.4	1.29	42.6
	63	13.7	8.4	9.1	9.8	10.5	11.1	1.33	46.9
	67	14.9	7.0	7.7	8.4	9.0	9.7	1.36	50.7
	71	16.0	5.6	6.2	6.9	7.6	8.3	1.39	54.5
100	59	12.3	9.6	10.2	10.9	11.6	12.3	1.33	43.2
	63	13.4	8.3	9.0	9.7	10.3	11.0	1.36	47.4
	67	14.5	6.9	7.6	8.2	8.9	9.6	1.40	51.2
	71	15.7	5.4	6.1	6.8	7.5	8.1	1.43	55.1
105	59	12.1	9.4	10.1	10.8	11.5	12.1*	1.37	43.8
	63	13.1	8.2	8.8	9.5	10.2	10.9	1.40	47.9
	67	14.2	6.8	7.4	8.1	8.8	9.5	1.43	51.7
	71	15.3	5.3	6.0	6.7	7.3	8.0	1.47	55.6
115	59	11.5	9.2	9.8	10.5	11.2	11.7*	1.45	45.0
	63	12.5	7.9	8.6	9.3	9.9	10.6	1.48	48.9
	67	13.6	6.5	7.2	7.9	8.5	9.2	1.51	52.7
	71	14.7	5.0	5.7	6.4	7.1	7.7	1.54	56.7

VALUES AT 95/80/67 RATING CONDITIONS
GROSS CAPACITY = 14900 BTUH
AIRFLOW = 400 CFM
APP. DEW PT. = 50.7 DEG. F
COMPRESSOR POWER = 1359 WATTS
I.D. FAN POWER = 85 WATTS
O.D. FAN POWER = 175 WATTS
S.E.E.R. = 9.30 BTUH/WATT

NOTE: RATED WITH 25 FEET OF 5/8 IN. SUCTION AND 1/4 IN. LIQUID LINE

TTB518C1 WITH MCX518E1 AT 475 CFM GROSS CAPACITY IN BTU/H x 1000

O.D. D.B.	I.D. W.B.	TOTAL CAP.	SENS. CAP. AT ENTERING D.B. TEMP.				COMPR. KW	DEW DEW PT.	
			72	74	76	78	80		
85	59	15.1	12.8	13.8	14.7	15.3*	15.7*	1.25	47.6
	63	16.3	11.0	12.0	12.9	13.9	14.8	1.30	51.3
	67	17.6	9.1	10.0	10.9	11.9	12.8	1.35	55.3
	71	19.0	7.0	8.0	8.9	9.9	10.8	1.40	59.4
90	59	15.0	12.8	13.7	14.7	15.3*	15.7*	1.31	47.7
	63	16.3	11.0	12.0	12.9	13.8	14.8	1.36	51.4
	67	17.6	9.0	10.0	10.9	11.9	12.8	1.41	55.4
	71	18.9	7.0	7.9	8.9	9.8	10.8	1.47	59.5
95	59	14.9	12.8	13.7	14.6	15.2*	15.6*	1.38	47.8
	63	16.2	11.0	11.9	12.9	13.8	14.7	1.43	51.5
	67	17.5	9.0	9.9	10.9	11.8	12.8	1.48	55.5
	71	18.8	7.0	7.9	8.8	9.8	10.7	1.53	59.6
100	59	14.5	12.5	13.5	14.4	14.9*	15.3*	1.42	48.2
	63	15.7	10.8	11.7	12.7	13.6	14.5	1.47	52.0
	67	17.0	8.8	9.7	10.7	11.6	12.6	1.53	56.0
	71	18.3	6.7	7.7	8.6	9.6	10.5	1.58	60.1
105	59	14.1	12.3	13.3	14.1*	14.5*	14.9*	1.47	48.7
	63	15.3	10.6	11.5	12.4	13.4	14.3	1.52	52.5
	67	16.5	8.6	9.5	10.5	11.4	12.3	1.57	56.5
	71	17.8	6.5	7.5	8.4	9.4	10.3	1.63	60.6
115	59	13.2	11.9	12.9	13.5*	13.8*	14.2*	1.57	49.7
	63	14.4	10.1	11.1	12.0	13.0	13.9	1.62	53.4
	67	15.5	8.2	9.1	10.0	11.0	11.9	1.67	57.5
	71	16.7	6.1	7.1	8.0	8.9	9.9	1.72	61.7

VALUES AT 95/80/67 RATING CONDITIONS
GROSS CAPACITY = 17500 BTUH
AIRFLOW = 475 CFM
APP. DEW PT. = 55.5 DEG. F
COMPRESSOR POWER = 1477 WATTS
I.D. FAN POWER = 95 WATTS
O.D. FAN POWER = 175 WATTS
S.E.E.R. = 10.25 BTUH/WATT

NOTE: RATED WITH 25 FEET OF 5/8 IN. SUCTION AND 1/4 IN. LIQUID LINE



Performance Data Cooling

Metric Units

TTB512C1 WITH MCX512E1 AT 0.19 CMS (400 CFM) GROSS CAPACITY IN KILOWATTS

Return Air DB/WB C		Outdoor Temperatures C					
		25	29	32	35	40	45
21.0/14.5	Capacity kW	3.6	3.7	3.7	3.7	3.6	3.4
	Sensible kW	2.7	2.7	2.7	2.7	2.7	2.6
	SHR (%)	75	74	74	74	75	76
	Compressor kW	1.1	1.1	1.2	1.3	1.4	1.4
24.0/17.0	Capacity kW	3.9	3.9	4.0	4.0	3.8	3.7
	Sensible kW	2.8	2.8	2.8	2.8	2.8	2.7
	SHR (%)	72	71	71	71	72	73
	Compressor kW	1.1	1.2	1.2	1.3	1.4	1.5
29.0/21.0	Capacity kW	4.2	4.2	4.3	4.3	4.1	4.0
	Sensible kW	2.8	2.8	2.8	2.9	2.8	2.7
	SHR (%)	67	67	67	67	68	69
	Compressor kW	1.1	1.2	1.3	1.4	1.4	1.5

VALUES AT ARI RATING CONDITIONS
 GROSS CAPACITY = 4.35 KW
 AIRFLOW = 0.19 CMS
 AIRFLOW = 400 CFM
 APP. DEW PT. = 10.4 DEG. C
 COMPRESSOR POWER = 1369 WATTS
 I.D. FAN POWER = 85 WATTS
 O.D. FAN POWER = 175 WATTS
 COP = 2.64
 EER = 9.00 BTU/WATT

NOTE: RATED WITH 7.62 METERS OF 5/8 IN. SUCTION AND 1/4 IN. LIQUID LINES

AIRFLOW: 680 CMH
 SYSTEM POWER: 1779 WATTS
 NOM. SYSTEM AMPS: 8.2 AMPS

TTB518C1 WITH MCX518E1 AT 0.22 CMS (475 CFM) GROSS CAPACITY IN KILOWATTS

Return Air DB/WB C		Outdoor Temperatures C					
		25	29	32	35	40	45
21.0/14.5	Capacity kW	4.4	4.4	4.4	4.4	4.2	3.9
	Sensible kW	3.6	3.6	3.6	3.6	3.5	3.4
	SHR (%)	82	82	82	82	84	86
	Compressor kW	1.2	1.2	1.3	1.4	1.5	1.5
24.0/17.0	Capacity kW	4.7	4.8	4.7	4.7	4.5	4.2
	Sensible kW	3.7	3.7	3.7	3.7	3.6	3.5
	SHR (%)	79	79	79	79	81	83
	Compressor kW	1.2	1.3	1.4	1.4	1.5	1.6
29.0/21.0	Capacity kW	5.0	5.1	5.1	5.0	4.8	4.5
	Sensible kW	3.8	3.8	3.8	3.8	3.7	3.6
	SHR (%)	75	74	74	75	76	78
	Compressor kW	1.2	1.3	1.4	1.5	1.6	1.6

VALUES AT ARI RATING CONDITIONS
 GROSS CAPACITY = 5.13KW
 AIRFLOW = 0.22 CMS
 AIRFLOW = 475 CFM
 APP. DEW PT. = 13.0 DEG. C
 COMPRESSOR POWER = 1477 WATTS
 I.D. FAN POWER = 95 WATTS
 O.D. FAN POWER = 175 WATTS
 COP = 2.89
 EER = 9.85 BTU/WATT

NOTE: RATED WITH 7.62 METERS OF 5/8 IN. SUCTION AND 1/4 IN. LIQUID LINES

Gross Capacity and Comp. KW are valid
 only for wet Coil

Performance at the Rating Conditions of 26.5/19.5 & 35 C
 GROSS CAPACITY: 5.3 KW
 AIRFLOW: 808 CMH
 SYSTEM POWER: 1846 WATTS
 NOM. SYSTEM AMPS: 8.6 AMPS



Performance Data Cooling

English Units

TTB524C1 WITH MCX524E1 AT 675 CFM

GROSS CAPACITY IN BTU/H x 1000

O.D. D.B.	I.D. W.B.	TOTAL CAP.	SENS. CAP. AT ENTERING D.B. TEMP.				COMPR. KW	DEW DEW PT.	
			72	74	76	78	80		
85	59	20.4	17.2	18.5	19.8	20.6*	21.2*	1.78	47.2
	63	21.9	14.7	16.0	17.3	18.6	19.8	1.84	51.0
	67	23.6	11.9	13.2	14.5	15.8	17.1	1.91	55.1
	71	25.3	9.1	10.3	11.6	12.9	14.2	1.97	59.3
90	59	20.2	17.1	18.4	19.7	20.5*	21.0*	1.86	47.3
	63	21.7	14.6	15.9	17.2	18.5	19.8	1.93	51.2
	67	23.4	11.8	13.1	14.4	15.7	17.0	1.99	55.3
	71	25.0	9.0	10.3	11.5	12.8	14.1	2.06	59.5
95	59	20.0	17.0	18.3	19.6	20.3*	20.8*	1.94	47.5
	63	21.5	14.5	15.8	17.1	18.4	19.7	2.01	51.3
	67	23.1	11.7	13.0	14.3	15.6	16.9	2.08	55.5
	71	24.8	8.9	10.2	11.5	12.7	14.0	2.15	59.7
100	59	19.3	16.7	18.0	19.3	19.8*	20.3*	2.00	48.1
	63	20.8	14.2	15.4	16.7	18.0	19.3	2.07	51.9
	67	22.3	11.4	12.7	14.0	15.3	16.5	2.14	56.1
	71	23.9	8.5	9.8	11.1	12.4	13.7	2.21	60.3
105	59	18.6	16.3	17.6	18.7*	19.2*	19.7*	2.06	48.6
	63	20.0	13.8	15.1	16.4	17.7	19.0	2.13	52.5
	67	21.5	11.0	12.3	13.6	14.9	16.2	2.19	56.6
	71	23.0	8.2	9.5	10.8	12.1	13.4	2.27	60.9
115	59	17.2	15.7	17.0	17.6*	18.0*	18.4*	2.18	49.7
	63	18.5	13.2	14.5	15.8	17.1	18.3	2.24	53.6
	67	19.9	10.4	11.7	13.0	14.3	15.6	2.31	57.8
	71	21.3	7.5	8.8	10.1	11.4	12.7	2.38	62.0

VALUES AT 95/80/67 RATING CONDITIONS
GROSS CAPACITY = 23200 BTUH
AIRFLOW = 675 CFM
APP. DEW PT. = 65.5 DEG.F
COMPRESSOR POWER = 2076 WATTS
I.D. FAN POWER = 130 WATTS
O.D. FAN POWER = 175 WATTS
S.E.E.R. = 10.05 BTUH/WATT

NOTE: RATED WITH 25 FEET OF 3/4 IN. SUCTION AND 5/16 IN. LIQUID LINE

TTB530C1 WITH MCX536E1 AT 915 CFM

GROSS CAPACITY IN BTU/H x 1000

O.D. D.B.	I.D. W.B.	TOTAL CAP.	SENS. CAP. AT ENTERING D.B. TEMP.				COMPR. KW	DEW DEW PT.	
			72	74	76	78	80		
85	59	27.5	24.2	26.1	27.7*	26.4*	29.1*	2.10	48.1
	63	29.6	20.5	22.4	24.3	26.2	28.1	2.17	51.9
	67	31.8	16.4	18.3	20.2	22.1	24.0	2.24	56.2
	71	34.0	12.2	14.1	16.0	17.9	19.8	2.32	60.5
90	59	27.2	24.0	25.9	27.4*	28.1*	28.8*	2.21	48.2
	63	29.2	20.3	22.2	24.1	26.0	27.9	2.28	52.1
	67	31.4	16.2	18.1	20.0	21.9	23.8	2.35	56.4
	71	33.5	12.1	14.0	15.9	17.8	19.7	2.43	60.7
95	59	26.9	23.9	25.8	27.2*	27.9*	26.5*	2.32	48.4
	63	28.9	20.2	22.1	24.0	25.8	27.7	2.39	52.3
	67	30.9	16.1	18.0	19.9	21.8	23.7	2.46	56.5
	71	33.1	11.9	13.8	15.7	17.5	19.5	2.54	60.9
100	59	26.0	23.5	25.4	26.4*	27.1*	27.7*	2.41	48.9
	63	27.9	19.7	21.6	23.5	25.4	27.3	2.48	52.6
	67	29.9	15.6	17.5	19.4	21.3	23.2	2.55	57.0
	71	31.9	11.4	13.3	15.2	17.1	19.0	2.62	61.4
105	59	25.1	23.1	24.9	25.7*	26.3*	26.9*	2.50	49.3
	63	26.9	19.3	21.2	23.1	25.0	26.9	2.57	53.3
	67	28.8	15.2	17.1	19.0	20.9	22.8	2.64	57.5
	71	30.8	11.0	12.9	14.8	16.7	18.6	2.71	61.6
115	59	23.3	22.2	23.6*	24.2*	24.7*	25.3*	2.68	50.2
	63	25.0	18.5	20.4	22.3	24.2	25.3*	2.75	54.2
	67	26.7	14.4	16.3	18.1	20.2	21.9	2.81	58.5
	71	26.5	10.2	12.1	14.0	15.9	17.8	2.88	62.8

VALUES AT 95/80/67 RATING CONDITIONS
GROSS CAPACITY = 37000 BTUH
AIRFLOW = 915 CFM
APP. DEW PT. = 36.5 DEG.F
COMPRESSOR POWER = 2462 WATTS
I.D. FAN POWER = 180 WATTS
O.D. FAN POWER = 220 WATTS
S.E.E.R. = 10.75 BTUH/WATT

NOTE: RATED WITH 25 FEET OF 3/4 IN. SUCTION AND 5/16 IN. LIQUID LINE

TOTAL AND SENSIBLE CAPACITY
CAPACITIES ARE GROSS IN BTUH/100 — INDOOR FAN HEAT IGNORED
* DRY COIL CONDITION (TOTAL CAPACITY = SENSIBLE CAPACITY)
TOTAL CAPACITY, COMP. KW AND APP. DEW PT. ARE VALID ONLY FOR WET COIL
ALL TEMPERATURES IN DEGREES F



Performance Data Cooling

Metric Units

TTB524C1 WITH MCX524E1 AT 0.32 CMS (675 CFM) GROSS CAPACITY IN KILOWATTS

Return Air DB/WB C	Outdoor Temperatures C						
	25	29	32	35	40	45	
21.0/14.5	Capacity kW	6.0	6.0	5.9	5.9	5.5	5.1
	Sensible kW	4.8	4.8	4.8	4.8	4.6	4.4
	SHR (%)	81	81	81	82	84	86
	Compressor kW	1.7	1.8	1.9	1.9	2.0	2.2
24.0/17.0	Capacity kW	6.4	6.4	6.3	6.3	5.9	5.5
	Sensible kW	5.0	5.0	5.0	4.9	4.8	4.6
	SHR (%)	78	78	78	79	81	84
	Compressor kW	1.7	1.8	1.9	2.0	2.1	2.2
29.0/21.0	Capacity kW	6.9	6.8	6.8	6.7	6.3	5.8
	Sensible kW	5.1	5.0	5.0	5.0	4.8	4.7
	SHR (%)	74	74	74	75	77	80
	Compressor kW	1.8	1.9	2.0	2.1	2.2	2.3

VALUES AT ARI RATING CONDITIONS
GROSS CAPACITY = 6.78 KW
AIRFLOW = 0.32 CMS
AIRFLOW = 675 CFM
APP. DEW PT. = 13.0 DEG. C
COMPRESSOR POWER = 2076 WATTS
I.D. FAN POWER = 130 WATTS
O.D. FAN POWER = 175 WATTS
COP = 2.80
EER = 9.55 BTU/WATT

NOTE: RATED WITH 7.62 METERS OF 3/4 IN. SUCTION AND 5/16 IN. LIQUID LINES

TTB530C1 WITH MCX536E1 AT 0.43 CMS (915 CFM) GROSS CAPACITY IN KILOWATTS

Return Air DB/WB C	Outdoor Temperatures C						
	25	29	32	35	40	45	
21.0/14.5	Capacity kW	8.1	8.1	8.0	7.9	7.4	6.9
	Sensible kW	6.8	6.8	6.7	6.7	6.5	6.2
	SHR (%)	84	84	84	85	87	90
	Compressor kW	1.9	2.1	2.2	2.3	2.5	2.6
24.0/17.0	Capacity kW	8.7	8.6	8.5	8.4	7.9	7.4
	Sensible kW	7.0	7.0	7.0	6.9	6.7	6.5
	SHR (%)	81	81	82	82	85	87
	Compressor kW	2.0	2.1	2.3	2.4	2.5	2.7
29.0/21.0	Capacity kW	9.3	9.2	9.1	8.9	8.4	7.8
	Sensible kW	7.2	7.1	7.1	7.0	6.8	6.6
	SHR (%)	77	77	78	79	81	84
	Compressor kW	2.1	2.2	2.3	2.4	2.6	2.8

VALUES AT ARI RATING CONDITIONS
GROSS CAPACITY = 9.05 KW
AIRFLOW = 0.43 CMS
AIRFLOW = 915 CFM
APP. DEW PT. = 13.6 DEG. C
COMPRESSOR POWER = 2462 WATTS
I.D. FAN POWER = 180 WATTS
O.D. FAN POWER = 220 WATTS
COP = 3.11
EER = 10.60 BTU/WATT

NOTE: RATED WITH 7.62 METERS OF 3/4 IN. SUCTION AND 5/16 IN. LIQUID LINES

TOTAL AND SENSIBLE CAPACITY
CAPACITIES ARE GROSS IN BTUH/100 — INDOOR FAN HEAT IGNORED
* DRY COIL CONDITION (TOTAL CAPACITY = SENSIBLE CAPACITY)
TOTAL CAPACITY, COMP. KW AND APP. DEW PT. ARE VALID ONLY FOR WET COIL
ALL TEMPERATURES IN DEGREES F



Performance Data Cooling

English Units

TTB536C1 WITH MCX536E1 AT 915 CFM GROSS CAPACITY IN BTU/H x 1000

O.D. D.B.	I.D. W.B.	TOTAL CAP.	SENS. CAP. AT ENTERING D.B. TEMP.				COMPR.	DEW	
			72	74	76	78	80	KW	DEW PT.
85	59	31.7	26.0	27.9	29.8	31.7	32.5*	2.63	46.1
	63	34.1	22.4	24.2	26.1	28.0	29.9	2.72	50.3
	67	63.5	18.3	20.2	22.1	24.0	25.8	2.81	54.5
	71	39.1	14.1	16.0	17.9	19.8	21.7	2.91	58.8
90	59	31.6	26.0	27.8	29.7	31.6*	32.3*	2.76	46.5
	63	33.9	22.3	24.2	26.1	27.9	29.8	2.85	50.4
	67	36.4	18.2	20.1	22.0	23.9	25.8	2.95	54.6
	71	38.9	14.1	15.9	17.8	19.7	21.6	3.05	58.9
95	59	31.4	25.9	27.8	29.7	31.5*	32.2*	2.89	46.6
	63	33.8	22.2	24.1	26.0	27.9	29.8	2.98	50.5
	67	36.2	18.1	20.0	21.9	23.8	25.7	3.08	54.7
	71	38.7	14.0	15.9	17.7	19.6	21.5	3.18	59.0
100	59	30.6	25.5	27.4	29.2	30.8*	31.5*	2.98	47.1
	63	32.8	21.8	23.7	25.6	27.4	29.3	3.07	50.9
	67	35.2	17.7	19.6	21.5	23.4	25.3	3.17	55.2
	71	37.6	13.5	15.4	17.3	19.2	21.1	3.27	59.5
105	59	29.7	25.0	26.9	28.8	30.1*	30.8*	3.07	47.5
	63	31.9	21.4	23.2	25.1	27.0	28.9	3.17	51.4
	67	34.1	17.3	19.2	21.1	22.9	24.8	3.26	55.7
	71	36.5	13.1	15.0	16.9	18.8	20.7	3.36	60.0
115	59	27.9	24.2	26.1	27.9*	28.7*	29.3*	3.26	48.5
	63	30.0	20.5	22.4	24.3	26.2	28.1	3.35	52.4
	67	32.1	16.4	18.3	20.2	22.1	24.0	3.45	56.6
	71	34.3	12.3	14.2	16.1	17.9	19.8	3.54	60.9

VALUES AT 95/80/67 RATING CONDITIONS

GROSS CAPACITY = 36200 BTUH

AIRFLOW = 915 CFM

APP. DEW PT. = 54.7 DEG.F

COMPRESSOR POWER = 3081 WATTS

I.D. FAN POWER = 180 WATTS

O.D. FAN POWER = 240 WATTS

S.E.E.R. = 10.15 BTUH/WATT

NOTE: RATED WITH 25 FEET OF 3/4 IN. SUCTION AND 5/16 IN. LIQUID LINE

TOTAL AND SENSIBLE CAPACITY

CAPACITIES ARE GROSS IN BTUH/100 — INDOOR FAN HEAT IGNORED

* DRY COIL CONDITION (TOTAL CAPACITY = SENSIBLE CAPACITY)

TOTAL CAPACITY, COMP. KW AND APP. DEW PT. ARE VALID ONLY FOR WET COIL

ALL TEMPERATURES IN DEGREES F



Performance Data Cooling

Metric Units

**TTB536C1 WITH MCX536E1
AT 0.43 CMS (915 CFM)
GROSS CAPACITY IN KILOWATTS**

Return Air DB/WB C	Outdoor Temperatures C						
	25	29	32	35	40	45	
21.0/14.5	Capacity kW	9.3	9.3	9.3	9.2	8.7	8.3
	Sensible kW	7.4	7.4	7.3	7.3	7.1	6.8
	SHR (%)	79	79	79	79	81	83
	Compressor kW	2.4	2.6	2.7	2.9	3.1	3.2
24.0/17.0	Capacity kW	9.9	9.9	9.9	9.8	9.3	8.8
	Sensible kW	7.5	7.5	7.5	7.5	7.3	7.1
	SHR (%)	76	76	76	75	78	80
	Compressor kW	2.5	2.7	2.8	3.0	3.1	3.3
29.0/21.0	Capacity kW	10.6	10.6	10.5	10.5	9.9	9.4
	Sensible kW	7.5	7.6	7.6	7.6	7.4	7.2
	SHR (%)	72	72	72	72	74	76
	Compressor kW	2.6	2.8	2.9	3.1	3.2	3.4

VALUES AT ARI RATING CONDITIONS
 GROSS CAPACITY = 10.60 KW
 AIRFLOW = 0.43 CMS
 AIRFLOW = 915 CFM
 APP. DEW PT. = 12.6 DEG. C
 COMPRESSOR POWER = 3081 WATTS
 I.D. FAN POWER = 180 WATTS
 O.D. FAN POWER = 240 WATTS
 COP = 2.90
 EER = 10.10 BTU/WATT

NOTE: RATED WITH 7.62 METERS OF 3/4 IN. SUCTION AND 5/16 IN. LIQUID LINES

TOTAL AND SENSIBLE CAPACITY
 CAPACITIES ARE GROSS IN BTUH/100 — INDOOR FAN HEAT IGNORED
 * DRY COIL CONDITION (TOTAL CAPACITY = SENSIBLE CAPACITY)
 TOTAL CAPACITY, COMP. KW AND APP. DEW PT. ARE VALID ONLY FOR WET COIL
 ALL TEMPERATURES IN DEGREES



Performance Data Cooling

English Units

TTR030C100A WITH MCX536E1 AT 915 CFM GROSS CAPACITY IN BTU/H x 1000

O.D. D.B.	I.D. W.B.	TOTAL CAP.	SENS. CAP. AT ENTERING D.B. TEMP.					COMPR. KW
			72	74	76	78	80	
85	61	29.0	20.6	22.5	24.2	25.8	26.8	2.31
	65	31.3	17.1	18.9	20.6	22.4	24.1	2.41
	67	32.5	15.2	17.0	18.8	20.5	22.3	2.46
	71	34.9	11.4	13.2	14.9	16.7	18.4	2.56
95	61	28.2	20.4	22.1	23.9	25.3	26.6	2.51
	65	30.4	16.8	16.5	20.3	22.0	23.8	2.61
	67	31.5	14.8	16.6	18.4	20.1	21.9	2.67
	71	33.9	11.1	12.8	14.6	16.3	18.2	2.77
105	61	27.0	19.6	21.4	23.0	24.4	25.8	2.74
	65	29.2	16.1	17.8	19.6	21.3	23.1	2.84
	67	30.3	14.2	15.9	17.7	19.4	21.2	2.90
	71	32.5	12.2	12.2	13.9	15.7	17.4	3.01
115	61	25.9	19.1	20.8	22.3	23.7	25.0	2.96
	65	27.9	15.5	17.3	19.0	20.7	22.4	3.08
	67	29.0	13.6	15.4	17.1	18.9	20.6	3.13
	71	31.2	9.9	11.8	13.3	15.1	16.8	3.24

*Dry coil condition (Gross Capacity = Sensible Capacity)
Gross Capacity and Comp. KW are valid only for Wet Coil

Performance at the Rating Conditions of 80/67 & 95 F
GROSS CAPACITY: 31.5 MBH
AIRFLOW: 915 CFM
SYSTEM POWER: 3103 WATTS
NOM. SYSTEM AMPS: 16.4 AMPS

TTR036C100A WITH MCX536E1 AT 915 CFM GROSS CAPACITY IN BTU/H x 1000

O.D. D.B.	I.D. W.B.	TOTAL CAP.	SENS. CAP. AT ENTERING D.B. TEMP.					COMPR. KW
			72	74	76	78	80	
85	61	33.3	22.6	24.6	26.5	28.3	29.4	2.67
	65	35.9	18.7	20.7	22.6	24.6	26.4	2.78
	67	37.3	16.7	18.6	20.6	22.5	24.4	2.83
	71	40.1	12.5	14.5	16.3	18.3	20.2	2.95
95	61	32.4	22.3	24.2	26.1	27.8	29.4	2.90
	65	34.9	18.4	20.3	22.2	24.1	26.1	3.01
	67	36.2	16.3	18.2	20.2	22.1	24.0	3.08
	71	38.9	12.2	14.0	16.0	17.9	19.9	3.19
105	61	31.0	21.5	23.4	25.2	26.8	28.3	3.16
	65	33.5	17.6	19.5	21.5	23.3	25.3	3.28
	67	34.9	15.6	17.4	19.4	21.3	23.2	3.34
	71	37.3	13.3	13.4	15.3	17.2	19.1	3.47
115	61	29.7	20.9	22.7	24.4	26.0	27.4	3.42
	65	32.1	17.0	18.9	20.8	22.7	24.6	3.55
	67	33.3	14.9	16.9	18.7	20.7	22.6	3.61
	71	35.8	10.9	12.7	14.6	16.6	18.5	3.74

*Dry coil condition (Gross Capacity = Sensible Capacity)
Gross Capacity and Comp. KW are valid only for Wet Coil

Performance at the Rating Conditions of 80/67 & 95 F
GROSS CAPACITY: 36.2 MBH
AIRFLOW: 915 CFM
SYSTEM POWER: 3590 WATTS
NOM. SYSTEM AMPS: 18.9 AMPS



Performance Data Cooling

Metric Units

**TTR030C100A WITH MCX536E1
AT 1556 CMH
GROSS CAPACITY IN KILOWATTS**

O.D. D.B.	I.D. W.B.	TOTAL CAP.	SENS. CAP. AT ENTERING D.B. TEMP.					COMPR. KW
			22.5	23.5	24.5	25.5	26.5	
30	16	8.5	6.0	6.6	7.1	7.6	7.9	2.31
	18	9.2	5.0	5.5	6.0	6.6	7.1	2.41
	19.5	9.5	4.5	5.0	5.5	6.0	6.5	2.46
	22	10.2	3.3	3.9	4.4	4.9	5.4	2.56
35	16	8.3	6.0	6.5	7.0	7.4	7.9	2.51
	18	8.9	4.9	5.4	5.9	6.4	7.0	2.61
	19.5	9.2	4.4	4.9	5.4	5.9	6.4	2.67
	22	9.9	3.3	3.8	4.3	4.8	5.3	2.77
40	16	7.9	5.7	6.3	6.7	7.2	7.6	2.74
	18	8.6	4.7	5.2	5.7	6.2	6.8	2.84
	19.5	8.9	4.2	4.7	5.2	5.7	6.2	2.90
	22	9.5	3.6	3.6	4.1	4.6	5.1	3.01
45	16	7.6	5.6	6.1	6.5	7.0	7.3	2.96
	18	8.2	4.5	5.1	5.6	6.1	6.6	3.08
	19.5	8.5	4.0	4.5	5.0	5.5	6.0	3.13
	22	9.1	2.9	3.4	3.9	4.4	4.9	3.24

*Dry coil condition (Gross Capacity = Sensible Capacity)
Gross Capacity and Comp. KW are valid only for Wet Coil

Performance at the Rating Conditions of 26.5/19.5 & 35 C
GROSS CAPACITY: 9.2 KW
AIRFLOW: 1556 CMH
SYSTEM POWER: 3103 WATTS
NOM. SYSTEM AMPS: 16.4 AMPS

**TTR036C100A WITH MCX536E1
AT 1556 CMH
GROSS CAPACITY IN KILOWATTS**

O.D. D.B.	I.D. W.B.	TOTAL CAP.	SENS. CAP. AT ENTERING D.B. TEMP.					COMPR. KW
			22.5	23.5	24.5	25.5	26.5	
30	16	9.8	6.6	7.2	7.8	8.3	8.6	2.67
	18	10.5	5.5	6.1	6.6	7.2	7.7	2.78
	19.5	10.9	4.9	5.5	6.0	6.6	7.2	2.83
	22	11.7	3.7	4.2	4.8	5.4	5.9	2.95
35	16	9.5	6.5	7.1	7.7	8.1	8.6	2.90
	18	10.2	5.4	5.9	6.5	7.1	7.6	3.01
	19.5	10.6	4.8	5.3	5.9	6.5	7.0	3.08
	22	11.4	3.6	4.1	4.7	5.2	5.8	3.19
40	16	9.1	6.3	6.9	7.4	7.8	8.3	3.16
	18	9.8	5.2	5.7	6.3	6.8	7.4	3.28
	19.5	10.2	4.6	5.1	5.7	6.2	6.8	3.34
	22	10.9	3.9	3.9	4.5	5.0	5.6	3.47
45	16	8.7	6.1	6.7	7.2	7.6	8.0	3.42
	18	9.4	5.0	5.5	6.1	6.7	7.2	3.55
	19.5	9.8	4.4	5.0	5.5	6.1	6.6	3.61
	22	10.5	3.2	3.7	4.3	4.9	5.4	3.74

*Dry coil condition (Gross Capacity = Sensible Capacity)
Gross Capacity and Comp. KW are valid only for Wet Coil

Performance at the Rating Conditions of 26.5/19.5 & 35 C
GROSS CAPACITY: 10.6 KW
AIRFLOW: 1556 CMH
SYSTEM POWER: 3590 WATTS
NOM. SYSTEM AMPS: 18.9 AMPS



Performance Data Cooling

English Units

TTR042C100A WITH MCX042E1 AT 1245 CFM

GROSS CAPACITY IN BTU/H x 1000

O.D. D.B.	I.D. W.B.	TOTAL CAP.	SENS. CAP. AT ENTERING D.B. TEMP.				COMPR. KW
			72	75	78	80	
85	59	40.4	33.0	36.5	40.0	41.2*	3.66
	63	43.6	28.5	32.0	35.6	37.9	3.81
	67	47.0	23.6	27.1	30.6	32.9	3.96
95	59	39.7	32.6	36.1	39.6	40.6*	4.04
	63	42.8	28.2	31.7	35.2	37.5	4.20
	67	46.1	23.2	26.7	30.2	32.5	4.36
105	63	40.2	27.0	30.5	34.0	36.3	4.45
	67	43.3	22.0	25.5	29.0	31.3	4.61
	71	46.4	16.8	20.3	23.9	26.2	4.79
115	63	37.5	25.8	29.3	32.8	35.1	4.70
	67	40.4	20.8	24.3	27.8	30.1	4.87
	71	43.3	15.6	19.1	22.6	25.0	5.04

VALUES AT 95/80/67 RATING CONDITIONS
 GROSS CAPACITY = 46200 BTUH
 AIRFLOW = 1245 CFM
 APP. DEW PT. = 54.4 DEG.F
 COMPRESSOR POWER = 4361 WATTS
 I.D. FAN POWER = 187 WATTS
 O.D. FAN POWER = 236 WATTS
 S.E.E.R. = 10.35 BTUH/WATT
 E.E.R. = 9.85 BTUH/WATT

NOTE: RATED WITH 25 FEET OF 7/8 IN. SUCT. AND 3/8 IN. LIQUID LINE

*DRY COIL CONDITION (TOTAL CAPACITY = SENSIBLE CAPACITY)
 TOTAL CAPACITY, COMP. KW AND APP. DEW PT. ARE VALID ONLY FOR WET COIL
 ALL TEMPERATURES IN DEGREES F.

TTR048C100A WITH MCX042E1 AT 1245 CFM

GROSS CAPACITY IN BTU/H x 1000

O.D. D.B.	I.D. W.B.	TOTAL CAP.	SENS. CAP. AT ENTERING D.B. TEMP.				COMPR. KW
			72	75	78	80	
85	59	42.5	33.9	37.4	40.9	42.8*	4.02
	63	45.7	29.4	32.9	36.4	38.7	4.20
	67	49.1	24.4	27.9	31.4	33.7	4.37
95	59	41.6	33.5	37.0	40.5	42.1*	4.44
	63	44.8	29.0	32.5	36.0	38.3	4.63
	67	48.1	23.9	27.4	30.9	33.3	4.82
105	63	42.0	27.7	31.2	34.7	37.0	4.90
	67	45.1	22.7	26.2	29.7	32.0	5.10
	71	48.3	17.5	21.0	24.5	26.8	5.30
115	63	39.3	26.5	30.0	33.4	35.8	5.17
	67	42.1	21.4	24.9	28.4	30.7	5.37
	71	45.1	16.3	19.7	23.2	25.6	5.59

VALUES AT 95/80/67 RATING CONDITIONS
 GROSS CAPACITY = 48,200 BTUH
 AIRFLOW = 1245 CFM
 APP. DEW PT. = 53.7 DEG.F
 COMPRESSOR POWER = 4820 WATTS
 I.D. FAN POWER = 187 WATTS
 O.D. FAN POWER = 237 WATTS
 S.E.E.R. = 10.00 BTUH/WATT
 E.E.R. = 9.40 BTUH/WATT

NOTE: RATED WITH 25 FEET OF 1 1/8 IN. SUCT. AND 3/8 IN. LIQUID LINE



Performance Data Cooling

Metric Units

TTR042C WITH MCX042E1 AT 0.59 CMS (1245 CFM) GROSS CAPACITY IN KILOWATTS

Return Air DB/WB C		Outdoor Temperatures C					
		25	29	32	35	40	45
21.0/14.5	Capacity kW	11.8	11.9	11.7	11.6	11.0	10.3
	Sensible kW	9.3	9.3	9.3	9.2	8.9	8.6
	SHR (%)	79	79	79	79	81	83
	Compressor kW	3.4	3.6	3.8	4.0	4.3	4.5
24.0/17.0	Capacity kW	12.7	12.7	12.6	12.5	11.8	11.1
	Sensible kW	9.6	9.6	9.5	9.5	9.2	8.9
	SHR (%)	76	76	76	76	78	80
	Compressor kW	3.5	3.8	4.0	4.2	4.4	4.6
29.0/21.0	Capacity kW	13.6	13.6	13.5	13.3	12.6	11.8
	Sensible kW	9.7	9.7	9.6	9.6	9.3	9.0
	SHR (%)	71	71	72	72	74	76
	Compressor kW	3.6	3.9	4.1	4.3	4.6	4.8

VALUES AT ARI RATING CONDITIONS
 GROSS CAPACITY = 13.52 KW
 AIRFLOW = 0.59 CMS
 AIRFLOW = 1245 CFM
 APP. DEW PT. = 12.5 DEG. C
 COMPRESSOR POWER = 4361 WATTS
 I.D. FAN POWER = 187 WATTS
 O.D. FAN POWER = 236 WATTS
 COP = 2.89
 EER = 9.85 BTU/WATT

NOTE: RATED WITH 7.62 METERS OF 7/8 IN. SUCTION AND 3/8 IN. LIQUID LINES

TTR048C WITH MCX042E1 AT 0.59 (1245 CFM) GROSS CAPACITY IN KILOWATTS

Return Air DB/WB C		Outdoor Temperatures C					
		25	29	32	35	40	45
21.0/14.5	Capacity kW	12.5	12.5	12.3	12.2	11.5	10.8
	Sensible kW	9.6	9.6	9.5	9.4	9.1	8.8
	SHR (%)	77	77	77	77	79	81
	Compressor kW	3.7	4.0	4.2	4.4	4.7	4.8
24.0/17.0	Capacity kW	13.3	13.3	13.2	13.0	12.3	11.6
	Sensible kW	9.9	9.8	9.8	9.7	9.4	9.1
	SHR (%)	74	74	74	74	76	78
	Compressor kW	3.8	4.1	4.4	4.6	4.8	5.1
29.0/21.0	Capacity kW	14.2	14.2	14.1	13.9	13.1	12.4
	Sensible kW	9.9	9.9	9.8	9.8	9.5	9.2
	SHR (%)	70	70	70	70	72	74
	Compressor kW	4.0	4.3	4.5	4.8	5.0	5.3

VALUES AT ARI RATING CONDITIONS
 GROSS CAPACITY = 14.11 KW
 AIRFLOW = 0.59 CMS
 AIRFLOW = 1245 CFM
 APP. DEW PT. = 12.1 DEG. C
 COMPRESSOR POWER = 4820 WATTS
 I.D. FAN POWER = 187 WATTS
 O.D. FAN POWER = 237 WATTS
 COP = 2.75
 EER = 9.40 BTU/WATT

NOTE: RATED WITH 7.62 METERS OF 1 1/8 IN. SUCTION AND 3/8 IN. LIQUID LINES



Performance Data Cooling

English Units

TTR048C100A WITH MCX048E1 AT 1200 CFM

GROSS CAPACITY IN BTU/H x 1000

O.D. D.B.	I.D. W.B.	TOTAL CAP.	SENS. CAP. AT ENTERING D.B. TEMP.				COMPR. KW
			72	75	78	80	
85	59	42.8	33.4	36.9	40.5	42.8*	3.94
	63	46.1	28.8	32.4	35.9	38.3	4.11
	67	49.5	23.8	27.3	30.9	33.2	4.29
95	59	41.7	32.8	36.4	39.9	41.9*	4.34
	63	44.9	28.3	31.8	35.4	37.7	4.52
	67	48.1	23.2	26.7	30.3	32.7	4.72
105	63	41.8	26.9	30.5	34.0	36.4	4.82
	67	44.9	21.9	25.4	29.0	31.3	5.02
	71	48.0	16.7	20.2	23.8	26.1	5.23
115	63	38.8	25.7	29.2	32.8	35.1	5.11
	67	41.6	20.6	24.1	27.7	30.0	5.32
	71	44.5	15.3	18.9	22.4	24.8	5.54

VALUES AT 95/80/67 RATING CONDITIONS
 GROSS CAPACITY = 48200 BTUH
 AIRFLOW = 1200 CFM
 APP. DEW PT. = 52.9 DEG.F
 COMPRESSOR POWER = 4717 WATTS
 I.D. FAN POWER = 187 WATTS
 O.D. FAN POWER = 237 WATTS
 S.E.E.R. = 10.15 BTUH/WATT
 E.E.R. = 9.60 BTUH/WATT

NOTE: RATED WITH 25 FEET OF 1 1/8 IN. SUCT. AND 3/8 IN. LIQUID LINE

*DRY COIL CONDITION (TOTAL CAPACITY = SENSIBLE CAPACITY)
 TOTAL CAPACITY, COMP. KW AND APP. DEW PT. ARE VALID ONLY FOR WET COIL
 ALL TEMPERATURES IN DEGREES F.

TTR060C100A WITH MCX060E1 AT 1315 CFM

GROSS CAPACITY IN BTU/H x 1000

O.D. D.B.	I.D. W.B.	TOTAL CAP.	SENS. CAP. AT ENTERING D.B. TEMP.				COMPR. KW
			72	75	78	80	
85	59	52.6	40.3	44.3	48.3	51.0	4.67
	63	56.5	35.0	39.0	43.0	45.7	4.85
	67	60.6	29.3	33.3	37.3	39.9	5.04
95	59	51.8	39.9	43.9	47.9	50.6	5.16
	63	55.7	34.6	38.6	42.6	45.2	5.35
	67	59.6	28.9	32.9	36.9	39.5	5.54
105	63	52.1	33.0	37.0	41.0	43.6	5.69
	67	55.8	27.2	31.2	35.2	37.9	5.88
	71	59.6	21.3	25.3	29.3	32.0	6.08
115	63	48.6	31.4	35.4	39.4	42.0	6.04
	67	52.0	25.6	29.6	33.6	36.3	6.23
	71	55.5	19.7	23.7	27.7	30.4	6.41

VALUES AT 95/80/67 RATING CONDITIONS
 GROSS CAPACITY = 59700 BTUH
 AIRFLOW = 1315 CFM
 APP. DEW PT. = 51.6 DEG.F
 COMPRESSOR POWER = 5541 WATTS
 I.D. FAN POWER = 187 WATTS
 O.D. FAN POWER = 269 WATTS
 S.E.E.R. = 10.65 BTUH/WATT
 E.E.R. = 10.25 BTUH/WATT

NOTE: RATED WITH 25 FEET OF 1 1/8 IN. SUCT. AND 3/8 IN. LIQUID LINE



Performance Data Cooling

Metric Units

TTR048C WITH MCX048E1 AT 0.57 CMS (1200 CFM) GROSS CAPACITY IN KILOWATTS

Return Air DB/WB C		Outdoor Temperatures C					
		25	29	32	35	40	45
21.0/14.5	Capacity kW	12.7	12.6	12.4	12.2	11.5	10.7
	Sensible kW	9.5	9.5	9.4	9.3	8.9	8.6
	SHR (%)	75	75	76	76	78	80
	Compressor kW	3.6	3.9	4.1	4.3	4.6	4.8
24.0/17.0	Capacity kW	13.6	13.4	13.2	13.0	12.3	11.5
	Sensible kW	9.7	9.7	9.6	9.5	9.2	8.8
	SHR (%)	72	72	73	73	75	77
	Compressor kW	3.8	4.1	4.3	4.5	4.8	5.0
29.0/21.0	Capacity kW	14.5	14.3	14.1	13.9	13.1	12.2
	Sensible kW	9.8	9.8	9.7	9.6	9.3	9.0
	SHR (%)	68	68	69	69	71	74
	Compressor kW	3.9	4.2	4.4	4.7	4.9	5.2

VALUES AT ARI RATING CONDITIONS
GROSS CAPACITY = 14.11 KW
AIRFLOW = 0.57 CMS
AIRFLOW = 1200 CFM
APP. DEW PT. = 11.6 DEG. C
COMPRESSOR POWER = 4717 WATTS
I.D. FAN POWER = 187 WATTS
O.D. FAN POWER = 237 WATTS
COP = 2.81
EER = 9.60 BTU/WATT

NOTE: RATED WITH 7.62 METERS OF 1 1/8 IN. SUCTION AND 3/8 IN. LIQUID LINES

TTR060C1 WITH MCX060E1 AT 0.62 CMS (1315 CFM) GROSS CAPACITY IN KILOWATTS

Return Air DB/WB C		Outdoor Temperatures C					
		25	29	32	35	40	45
21.0/14.5	Capacity kW	15.4	15.4	15.3	15.2	14.3	13.4
	Sensible kW	11.5	11.5	11.4	11.3	10.9	10.4
	SHR (%)	74	74	74	75	76	77
	Compressor kW	4.3	4.6	4.9	5.2	5.5	5.8
24.0/17.0	Capacity kW	16.4	16.5	16.3	16.2	15.3	14.3
	Sensible kW	11.7	11.7	11.6	11.5	11.1	10.7
	SHR (%)	71	71	71	71	73	75
	Compressor kW	4.5	4.8	5.1	5.3	5.6	6.0
29.0/21.0	Capacity kW	17.5	17.5	17.4	17.2	16.2	15.3
	Sensible kW	11.7	11.7	11.6	11.6	11.2	10.8
	SHR (%)	67	67	67	67	69	71
	Compressor kW	4.6	5.0	5.2	5.5	5.8	6.1

VALUES AT ARI RATING CONDITIONS
GROSS CAPACITY = 17.48 KW
AIRFLOW = 0.62 CMS
AIRFLOW = 1315 CFM
APP. DEW PT. = 10.9 DEG. C
COMPRESSOR POWER = 5541 WATTS
I.D. FAN POWER = 187 WATTS
O.D. FAN POWER = 269 WATTS
COP = 3.00
EER = 10.25 BTU/WATT

NOTE: RATED WITH 7.62 METERS OF 1/8 IN. SUCTION AND 3/8 IN. LIQUID LINES



Performance Data Cooling

English Units

TTA030C300A WITH MCX536E1 AT 915 CFM GROSS CAPACITY IN BTU/H x 1000

O.D. D.B.	I.D. W.B.	TOTAL CAP.	SENS. CAP. AT ENTERING D.B. TEMP.					COMPR. KW
			72	74	76	78	80	
85	61	29.2	20.8	22.7	24.4	26.1	27.1	2.30
	65	31.5	17.3	19.1	20.8	22.6	24.3	2.40
	67	32.7	15.4	17.1	18.9	20.7	22.5	2.45
	71	35.1	11.5	13.3	15.0	16.9	18.6	2.55
95	61	28.3	20.6	22.3	24.1	25.6	27.1	2.50
	65	30.6	16.9	18.6	20.5	22.2	24.0	2.60
	67	31.7	15.0	16.8	18.6	20.3	22.1	2.66
	71	34.1	11.2	12.9	14.7	16.5	18.3	2.76
105	61	27.2	19.8	21.5	23.2	24.6	26.1	2.73
	65	29.4	16.2	18.0	19.8	21.5	23.3	2.83
	67	30.5	14.4	16.1	17.9	19.6	21.4	2.88
	71	32.7	12.3	12.3	14.1	15.9	17.6	3.00
115	61	26.0	19.2	20.9	22.5	24.0	25.2	2.95
	65	28.1	15.6	17.4	19.1	20.9	22.6	3.06
	67	29.2	13.7	15.6	17.2	19.0	20.8	3.12
	71	31.4	10.0	11.7	13.5	15.2	17.0	3.23

*Dry coil condition (Gross Capacity = Sensible Capacity)
Gross Capacity and Comp. KW are valid only for Wet Coil

Performance at the Rating Conditions of 80/67 & 95 F
GROSS CAPACITY: 31.7 MBH
AIRFLOW: 915 CFM
SYSTEM POWER: 3117 WATTS
NOM. SYSTEM AMPS: 12.7 AMPS

TTA030C400A WITH MCX536E1 AT 915 CFM GROSS CAPACITY IN BTU/H x 1000

O.D. D.B.	I.D. W.B.	TOTAL CAP.	SENS. CAP. AT ENTERING D.B. TEMP.					COMPR. KW
			72	74	76	78	80	
85	61	29.2	20.8	22.7	24.4	26.1	27.1	2.30
	65	31.5	17.3	19.1	20.8	22.6	24.3	2.40
	67	32.7	15.4	17.1	18.9	20.7	22.5	2.45
	71	35.1	11.5	13.3	15.0	16.9	18.6	2.55
95	61	28.3	20.6	22.3	24.1	25.6	27.1	2.50
	65	30.6	16.9	18.6	20.5	22.2	24.0	2.60
	67	31.7	15.0	16.8	18.6	20.3	22.1	2.66
	71	34.1	11.2	12.9	14.7	16.5	18.3	2.76
105	61	27.2	19.8	21.5	23.2	24.6	26.1	2.73
	65	29.4	16.2	18.0	19.8	21.5	23.3	2.83
	67	30.5	14.4	16.1	17.9	19.6	21.4	2.88
	71	32.7	12.3	12.3	14.1	15.9	17.6	3.00
115	61	26.0	19.2	20.9	22.5	24.0	25.2	2.95
	65	28.1	15.6	17.4	19.1	20.9	22.6	3.06
	67	29.2	13.7	15.6	17.2	19.0	20.8	3.12
	71	31.4	10.0	11.7	13.5	15.2	17.0	3.23

Dry coil condition (Gross Capacity = Sensible Capacity)
Gross Capacity and Comp. KW are valid only for Wet Coil

Performance at the Rating Conditions of 80/67 & 95 F
GROSS CAPACITY: 31.7 MBH
AIRFLOW: 915 CFM
SYSTEM POWER: 3117 WATTS
NOM. SYSTEM AMPS: 6.8 AMPS



Performance Data Cooling

Metric Units

**TTA030C300A WITH MCX536E1
AT 1556 CMH
GROSS CAPACITY IN KILOWATTS**

O.D. D.B.	I.D. W.B.	TOTAL CAP.	SENS. CAP. AT ENTERING D.B. TEMP.					COMPR. KW
			22.5	23.5	24.5	25.5	26.5	
30	16	8.5	6.1	6.6	7.1	7.6	7.9	2.30
	18	9.2	5.1	5.6	6.1	6.6	7.1	2.40
	19.5	9.6	4.5	5.0	5.6	6.1	6.6	2.45
	22	10.3	3.4	3.9	4.4	4.9	5.5	2.55
35	16	8.3	6.0	6.5	7.1	7.5	7.9	2.50
	18	9.0	5.0	5.5	6.0	6.5	7.0	2.60
	19.5	9.3	4.4	4.9	5.4	6.0	6.5	2.66
	22	10.0	3.3	3.8	4.3	4.8	5.4	2.76
40	16	8.0	5.8	6.3	6.8	7.2	7.6	2.73
	18	8.6	4.8	5.3	5.8	6.3	6.8	2.83
	19.5	8.9	4.2	4.7	5.2	5.7	6.3	2.88
	22	9.6	3.6	3.6	4.1	4.6	5.2	3.00
45	16	7.6	5.6	6.1	6.6	7.0	7.4	2.95
	18	8.2	4.6	5.1	5.6	6.1	6.6	3.06
	19.5	8.5	4.0	4.6	5.1	5.6	6.1	3.12
	22	9.2	2.9	3.4	3.9	4.5	5.0	3.23

*Dry coil condition (Gross Capacity = Sensible Capacity)
Gross Capacity and Comp. KW are valid only for Wet Coil

Performance at the Rating Conditions of 26.5/19.5 & 35 C
GROSS CAPACITY: 9.3 KW
AIRFLOW: 1556 CMH
SYSTEM POWER: 3117 WATTS
NOM. SYSTEM AMPS: 12.7 AMPS

**TTA030C400A WITH MCX536E1
AT 1556 CMH
GROSS CAPACITY IN KILOWATTS**

O.D. D.B.	I.D. W.B.	TOTAL CAP.	SENS. CAP. AT ENTERING D.B. TEMP.					COMPR. KW
			22.5	23.5	24.5	25.5	26.5	
30	16	8.5	6.1	6.6	7.1	7.6	7.9	2.30
	18	9.2	5.1	5.6	6.1	6.6	7.1	2.40
	19.5	9.6	4.5	5.0	5.6	6.1	6.6	2.45
	22	10.3	3.4	3.9	4.4	4.9	5.5	2.55
35	16	8.3	6.0	6.5	7.1	7.5	7.9	2.50
	18	9.0	5.0	5.5	6.0	6.5	7.0	2.60
	19.5	9.3	4.4	4.9	5.4	6.0	6.5	2.66
	22	10.0	3.3	3.8	4.3	4.8	5.4	2.76
40	16	8.0	5.8	6.3	6.8	7.2	7.6	2.73
	18	8.6	4.8	5.3	5.8	6.3	6.8	2.83
	19.5	8.9	4.2	4.7	5.2	5.7	6.3	2.88
	22	9.6	3.6	3.6	4.1	4.6	5.2	3.00
45	16	7.6	5.6	6.1	6.6	7.0	7.4	2.95
	18	8.2	4.6	5.1	5.6	6.1	6.6	3.06
	19.5	8.5	4.0	4.6	5.1	5.6	6.1	3.12
	22	9.2	2.9	3.4	3.9	4.5	5.0	3.23

*Dry coil condition (Gross Capacity = Sensible Capacity)
Gross Capacity and Comp. KW are valid only for Wet Coil

Performance at the Rating Conditions of 26.5/19.5 & 35 C
GROSS CAPACITY: 9.3 KW
AIRFLOW: 1556 CMH
SYSTEM POWER: 3117 WATTS
NOM. SYSTEM AMPS: 6.8 AMPS



Performance Data Cooling

English Units

TTA036C300A WITH MCX536E1 AT 915 CFM GROSS CAPACITY IN BTU/H x 1000

O.D. D.B.	I.D. W.B.	TOTAL CAP.	SENS. CAP. AT ENTERING D.B. TEMP.					COMPR. KW
			72	74	76	78	80	
85	61	33.7	22.8	24.8	26.7	28.5	29.6	2.71
	65	36.3	18.9	20.9	22.8	24.8	26.7	2.82
	67	37.7	16.8	18.8	20.7	22.6	24.6	2.88
	71	40.5	12.6	14.6	16.4	18.5	20.4	3.00
95	61	32.7	22.5	24.4	26.4	28.0	29.6	2.94
	65	35.3	18.5	20.4	22.4	24.3	26.3	3.06
	67	36.6	16.4	18.4	20.3	22.3	24.2	3.12
	71	39.3	12.3	14.1	16.1	18.0	20.1	3.25
105	61	31.4	21.7	23.6	25.4	27.0	28.5	3.21
	65	33.9	17.8	19.7	21.6	23.5	25.5	3.33
	67	35.2	15.7	17.6	19.6	21.5	23.4	3.39
	71	37.7	13.4	13.5	15.4	17.4	19.3	3.53
115	61	30.0	21.1	22.9	24.6	26.2	27.6	3.47
	65	32.4	17.1	19.1	21.0	22.9	24.8	3.61
	67	33.7	15.0	17.1	18.9	20.9	22.7	3.67
	71	36.2	10.9	12.8	14.7	16.7	18.6	3.80

*Dry coil condition (Gross Capacity = Sensible Capacity)
Gross Capacity and Comp. KW are valid only for Wet Coil

Performance at the Rating Conditions of 80/67 & 95 F
GROSS CAPACITY: 36.6 MBH
AIRFLOW: 915 CFM
SYSTEM POWER: 3639 WATTS
NOM. SYSTEM AMPS: 14.7 AMPS

TTA036C400A WITH MCX536E1 AT 915 CFM GROSS CAPACITY IN BTU/H x 1000

O.D. D.B.	I.D. W.B.	TOTAL CAP.	SENS. CAP. AT ENTERING D.B. TEMP.					COMPR. KW
			72	74	76	78	80	
85	61	33.7	22.8	24.8	26.7	28.5	29.6	2.71
	65	36.3	18.9	20.9	22.8	24.8	26.7	2.82
	67	37.7	16.8	18.8	20.7	22.6	24.6	2.88
	71	40.5	12.6	14.6	16.4	18.5	20.4	3.00
95	61	32.7	22.5	24.4	26.4	28.0	29.6	2.94
	65	35.3	18.5	20.4	22.4	24.3	26.3	3.06
	67	36.6	16.4	18.4	20.3	22.3	24.2	3.12
	71	39.3	12.3	14.1	16.1	18.0	20.1	3.25
105	61	31.4	21.7	23.6	25.4	27.0	28.5	3.21
	65	33.9	17.8	19.7	21.6	23.5	25.5	3.33
	67	35.2	15.7	17.6	19.6	21.5	23.4	3.39
	71	37.7	13.4	13.5	15.4	17.4	19.3	3.53
115	61	30.0	21.1	22.9	24.6	26.2	27.6	3.47
	65	32.4	17.1	19.1	21.0	22.9	24.8	3.61
	67	33.7	15.0	17.1	18.9	20.9	22.7	3.67
	71	36.2	10.9	12.8	14.7	16.7	18.6	3.80

*Dry coil condition (Gross Capacity = Sensible Capacity)
Gross Capacity and Comp. KW are valid only for Wet Coil

Performance at the Rating Conditions of 80/67 & 95 F
GROSS CAPACITY: 36.6 MBH
AIRFLOW: 915 CFM
SYSTEM POWER: 3639 WATTS
NOM. SYSTEM AMPS: 6.8 AMPS



Performance Data Cooling

Metric Units

TTA036C300A WITH MCX536E1 AT 1556 CMH GROSS CAPACITY IN KILOWATTS

O.D. D.B.	I.D. W.B.	TOTAL CAP.	SENS. CAP. AT ENTERING D.B. TEMP.					COMPR. KW
			22.5	23.5	24.5	25.5	26.5	
30	16	9.9	6.7	7.3	7.8	8.4	8.7	2.71
	18	10.6	5.5	6.1	6.7	7.3	7.8	2.82
	19.5	11.1	4.9	5.5	6.1	6.6	7.2	2.88
	22	11.9	3.7	4.3	4.8	5.4	6.0	3.00
35	16	9.6	6.6	7.1	7.7	8.2	8.7	2.94
	18	10.3	5.4	6.0	6.6	7.1	7.7	3.06
	19.5	10.7	4.8	5.4	6.0	6.5	7.1	3.12
	22	11.5	3.6	4.1	4.7	5.3	5.9	3.25
40	16	9.2	6.3	6.9	7.4	7.9	8.4	3.21
	18	9.9	5.2	5.8	6.3	6.9	7.5	3.33
	19.5	10.3	4.6	5.2	5.7	6.3	6.9	3.39
	22	11.1	3.9	4.0	4.5	5.1	5.6	3.53
45	16	8.8	6.2	6.7	7.2	7.7	8.1	3.47
	18	9.5	5.0	5.6	6.1	6.7	7.3	3.61
	19.5	9.9	4.4	5.0	5.5	6.1	6.7	3.67
	22	10.6	3.2	3.8	4.3	4.9	5.5	3.80

*Dry coil condition (Gross Capacity = Sensible Capacity)
Gross Capacity and Comp. KW are valid only for Wet Coil

Performance at the Rating Conditions of 26.5/19.5 & 35 C
GROSS CAPACITY: 10.7 KW
AIRFLOW: 1556 CMH
SYSTEM POWER: 3639 WATTS
NOM. SYSTEM AMPS: 14.7 AMPS

TTA036C400A WITH MCX536E1 AT 1556 CMH GROSS CAPACITY IN KILOWATTS

O.D. D.B.	I.D. W.B.	TOTAL CAP.	SENS. CAP. AT ENTERING D.B. TEMP.					COMPR. KW
			22.5	23.5	24.5	25.5	26.5	
30	16	9.9	6.7	7.3	7.8	8.4	8.7	2.71
	18	10.6	5.5	6.1	6.7	7.3	7.8	2.82
	19.5	11.1	4.9	5.5	6.1	6.6	7.2	2.88
	22	11.9	3.7	4.3	4.8	5.4	6.0	3.00
35	16	9.6	6.6	7.1	7.7	8.2	8.7	2.94
	18	10.3	5.4	6.0	6.6	7.1	7.7	3.06
	19.5	10.7	4.8	5.4	6.0	6.5	7.1	3.12
	22	11.5	3.6	4.1	4.7	5.3	5.9	3.25
40	16	9.2	6.3	6.9	7.4	7.9	8.4	3.21
	18	9.9	5.2	5.8	6.3	6.9	7.5	3.33
	19.5	10.3	4.6	5.2	5.7	6.3	6.9	3.39
	22	11.1	3.9	4.0	4.5	5.1	5.6	3.53
45	16	8.8	6.2	6.7	7.2	7.7	8.1	3.47
	18	9.5	5.0	5.6	6.1	6.7	7.3	3.61
	19.5	9.9	4.4	5.0	5.5	6.1	6.7	3.67
	22	10.6	3.2	3.8	4.3	4.9	5.5	3.80

*Dry coil condition (Gross Capacity = Sensible Capacity)
Gross Capacity and Comp. KW are valid only for Wet Coil

Performance at the Rating Conditions of 26.5/19.5 & 35 C
GROSS CAPACITY: 10.7 KW
AIRFLOW: 1556 CMH
SYSTEM POWER: 3639 WATTS
NOM. SYSTEM AMPS: 6.8 AMPS



Performance Data Cooling

English Units

TTA042C3 WITH MCX042E1 AT 1245 CFM

GROSS CAPACITY IN BTU/H x 1000

O.D. D.B.	I.D. W.B.	TOTAL CAP.	SENS. CAP. AT ENTERING D.B. TEMP.				COMPR. KW
			72	75	78	80	
85	59	40.4	33.0	36.5	40.0	41.2*	3.63
	63	43.7	28.5	32.0	35.5	37.9	3.77
	67	47.1	23.5	27.1	30.6	32.9	3.92
95	59	39.7	32.6	36.1	39.6	40.6*	4.00
	63	42.9	28.2	31.7	35.2	37.5	4.15
	67	46.1	23.2	26.7	30.2	32.5	4.31
105	63	40.2	26.9	30.4	34.0	36.3	4.40
	67	43.2	21.9	25.4	29.0	31.3	4.56
	71	46.4	16.8	20.3	23.8	26.2	4.73
115	63	37.5	25.7	29.3	32.8	35.1	4.64
	67	40.3	20.7	24.2	27.7	30.1	4.81
	71	43.3	15.6	19.1	22.6	24.9	4.97

VALUES AT 95/80/67 RATING CONDITIONS
 GROSS CAPACITY = 46200 BTUH
 AIRFLOW = 1245 CFM
 APP. DEW PT. = 54.4 DEG.F
 COMPRESSOR POWER = 4314 WATTS
 I.D. FAN POWER = 187 WATTS
 O.D. FAN POWER = 261 WATTS
 S.E.E.R. = 10.40 BTUH/WATT
 E.E.R. = 9.90 BTUH/WATT

NOTE: RATED WITH 25 FEET OF 7/8 IN. SUCT. AND 3/8 IN. LIQUID LINE

*DRY COIL CONDITION (TOTAL CAPACITY = SENSIBLE CAPACITY)
 TOTAL CAPACITY, COMP. KW AND APP. DEW PT. ARE VALID ONLY FOR WET COIL
 ALL TEMPERATURES IN DEGREES F.

TTA048C3 WITH MCX042E1 AT 1245 CFM

GROSS CAPACITY IN BTU/H x 1000

O.D. D.B.	I.D. W.B.	TOTAL CAP.	SENS. CAP. AT ENTERING D.B. TEMP.				COMPR. KW
			72	75	78	80	
85	59	42.4	33.8	37.2	40.7	42.7*	3.98
	63	45.7	29.3	32.8	36.3	38.6	4.13
	67	49.1	24.3	27.8	31.3	33.6	4.29
95	59	41.6	33.4	36.9	40.3	42.0*	4.37
	63	44.8	28.9	32.4	35.9	38.2	4.54
	67	48.1	23.9	27.4	30.9	33.2	4.72
105	63	42.1	27.7	31.2	34.6	37.0	4.79
	67	45.2	22.7	26.1	29.6	32.0	4.97
	71	48.4	17.5	21.0	24.5	26.8	5.16
115	63	39.4	26.4	29.9	33.4	35.8	5.05
	67	42.3	21.4	24.9	28.4	30.7	5.23
	71	45.3	16.3	19.8	23.3	25.6	5.42

VALUES AT 95/80/67 RATING CONDITIONS
 GROSS CAPACITY = 48200 BTUH
 AIRFLOW = 1245 CFM
 APP. DEW PT. = 53.6 DEG.F
 COMPRESSOR POWER = 4715 WATTS
 I.D. FAN POWER = 187 WATTS
 O.D. FAN POWER = 262 WATTS
 S.E.E.R. = 10.10 BTUH/WATT
 E.E.R. = 9.60 BTUH/WATT

NOTE: RATED WITH 25 FEET OF 1 1/8 IN. SUCT. AND 3/8 IN. LIQUID LINE

*DRY COIL CONDITION (TOTAL CAPACITY = SENSIBLE CAPACITY)
 TOTAL CAPACITY, COMP. KW AND APP. DEW PT. ARE VALID ONLY FOR WET COIL
 ALL TEMPERATURES IN DEGREES F.



Performance Data Cooling

Metric Units

TTA042C3 WITH MCX042E1 AT 0.59 CMS (1245 CFM) GROSS CAPACITY IN KILOWATTS

Return Air DB/WB C		Outdoor Temperatures C					
		25	29	32	35	40	45
21.0/14.5	Capacity kW	11.9	11.9	11.8	11.6	11.0	10.3
	Sensible kW	9.3	9.3	9.3	9.2	8.9	8.6
	SHR (%)	78	78	79	79	81	83
	Compressor kW	3.3	3.6	3.8	4.0	4.2	4.4
24.0/17.0	Capacity kW	12.7	12.7	12.6	12.5	11.8	11.1
	Sensible kW	9.6	9.6	9.5	9.5	9.2	8.8
	SHR (%)	75	75	76	76	78	80
	Compressor kW	3.5	3.7	3.9	4.1	4.4	4.6
29.0/21.0	Capacity kW	13.6	13.6	13.5	13.3	12.6	11.8
	Sensible kW	9.7	9.7	9.6	9.6	9.3	9.0
	SHR (%)	71	71	71	72	74	76
	Compressor kW	3.6	3.9	4.1	4.3	4.5	4.7

VALUES AT ARI RATING CONDITIONS
 GROSS CAPACITY = 13.52 KW
 AIRFLOW = 0.59 CMS
 AIRFLOW = 1245 CFM
 APP. DEW PT. = 12.5 DEG. C
 COMPRESSOR POWER = 4314 WATTS
 I.D. FAN POWER = 187 WATTS
 O.D. FAN POWER = 261 WATTS
 COP = 2.90
 EER = 9.90 BTU/WATT

NOTE: RATED WITH 7.62 METERS OF 7/8 IN. SUCTION AND 3/8 IN. LIQUID LINES

*DRY COIL CONDITION (TOTAL CAPACITY = SENSIBLE CAPACITY)
 TOTAL CAPACITY, COMP. KW AND APP. DEW PT. ARE VALID ONLY
 FOR WET COIL ALL TEMPERATURES IN DEGREES C.

TTA048C3 WITH MCX042E AT 0.59 CMS (1245 CFM) GROSS CAPACITY IN KILOWATTS

Return Air DB/WB C		Outdoor Temperatures C					
		25	29	32	35	40	45
21.0/14.5	Capacity kW	12.5	12.4	12.3	12.2	11.5	10.9
	Sensible kW	9.6	9.5	9.5	9.4	9.1	8.8
	SHR (%)	77	77	77	77	79	81
	Compressor kW	3.7	3.9	4.2	4.4	4.6	4.8
24.0/17.0	Capacity kW	13.3	13.3	13.2	13.0	12.3	11.6
	Sensible kW	9.8	9.8	9.8	9.7	9.4	9.0
	SHR (%)	74	74	74	74	76	78
	Compressor kW	3.8	4.1	4.3	4.5	4.7	5.0
29.0/21.0	Capacity kW	14.2	14.2	14.1	13.9	13.1	12.4
	Sensible kW	9.9	9.9	9.8	9.7	9.4	9.1
	SHR (%)	69	69	70	70	72	74
	Compressor kW	3.9	4.2	4.5	4.7	4.9	5.1

VALUES AT ARI RATING CONDITIONS
 GROSS CAPACITY = 14.11 KW
 AIRFLOW = 0.59 CMS
 AIRFLOW = 1245 CFM
 APP. DEW PT. = 12.0 DEG. C
 COMPRESSOR POWER = 4715 WATTS
 I.D. FAN POWER = 187 WATTS
 O.D. FAN POWER = 262 WATTS
 COP = 2.81
 EER = 9.60 BTU/WATT

NOTE: RATED WITH 7.62 METERS OF 1 1/8 IN. SUCTION AND 3/8 IN. LIQUID LINES

*DRY COIL CONDITION (TOTAL CAPACITY = SENSIBLE CAPACITY)
 TOTAL CAPACITY, COMP. KW AND APP. DEW PT. ARE VALID ONLY
 FOR WET COIL ALL TEMPERATURES IN DEGREES C.



Performance Data Cooling

English Units

TTA048C3 WITH MCX048E1 AT 1200 CFM

GROSS CAPACITY IN BTU/H x 1000

O.D. D.B.	I.D. W.B.	TOTAL CAP.	SENS. CAP. AT ENTERING D.B. TEMP.				COMPR. KW
			72	75	78	80	
85	59	42.7	33.3	36.8	40.4	42.7	3.89
	63	46.0	28.7	32.3	35.8	38.2	4.04
	67	49.5	23.7	27.2	30.8	33.2	4.20
95	59	41.6	32.7	36.3	39.8	41.9*	4.27
	63	44.8	28.2	31.7	35.3	37.6	4.44
	67	48.1	23.1	26.7	30.2	32.6	4.61
105	63	41.9	26.9	30.5	34.0	36.4	4.71
	67	44.9	21.8	25.4	28.9	31.3	4.90
	71	48.1	16.7	20.2	23.7	26.1	5.08
115	63	38.9	25.6	29.2	32.7	35.1	4.99
	67	41.7	20.6	24.1	27.7	30.0	5.18
	71	44.6	15.4	18.9	22.5	24.8	5.37

VALUES AT 95/80/67 RATING CONDITIONS
 GROSS CAPACITY = 48200 BTUH
 AIRFLOW = 1200 CFM
 APP. DEW PT. = 52.8 DEG.F
 COMPRESSOR POWER = 4612 WATTS
 I.D. FAN POWER = 187 WATTS
 O.D. FAN POWER = 262 WATTS
 S.E.E.R. = 10.30 BTUH/WATT
 E.E.R. = 9.80 BTUH/WATT

NOTE: RATED WITH 25 FEET OF 1 1/8 IN. SUCT. AND 3/8 IN. LIQUID LINE

*DRY COIL CONDITION (TOTAL CAPACITY = SENSIBLE CAPACITY)
 TOTAL CAPACITY, COMP. KW AND APP. DEW PT. ARE VALID ONLY FOR WET COIL
 ALL TEMPERATURES IN DEGREES F.

TTA060C3 WITH MCX060E1 AT 1315 CFM

GROSS CAPACITY IN BTU/H x 1000

O.D. D.B.	I.D. W.B.	TOTAL CAP.	SENS. CAP. AT ENTERING D.B. TEMP.				COMPR. KW
			72	75	78	80	
85	59	53.0	40.5	44.5	48.5	51.1	4.59
	63	56.9	35.2	39.2	43.1	45.8	4.77
	67	61.0	29.4	33.4	37.4	40.1	4.96
95	59	52.3	40.1	44.1	48.1	50.8	5.06
	63	56.1	34.8	38.8	42.8	45.4	5.25
	67	60.1	29.1	33.0	37.0	39.7	5.45
105	63	52.9	33.3	37.3	41.3	43.9	5.60
	67	56.6	27.5	31.5	35.5	38.2	5.79
	71	60.4	21.6	25.6	29.6	32.3	5.99
115	63	49.6	31.8	35.8	39.8	42.5	5.95
	67	53.1	26.1	30.0	34.0	36.7	6.13
	71	56.6	20.2	24.1	28.1	30.8	6.33

VALUES AT 95/80/67 RATING CONDITIONS
 GROSS CAPACITY = 60200 BTUH
 AIRFLOW = 1315 CFM
 APP. DEW PT. = 51.3 DEG.F
 COMPRESSOR POWER = 5450 WATTS
 I.D. FAN POWER = 187 WATTS
 O.D. FAN POWER = 269 WATTS
 S.E.E.R. = 10.90 BTUH/WATT
 E.E.R. = 10.50 BTUH/WATT

NOTE: RATED WITH 25 METERS OF 1 1/8 IN. SUCTION AND 3/8 IN. LIQUID LINES

*DRY COIL CONDITION (TOTAL CAPACITY = SENSIBLE CAPACITY)
 TOTAL CAPACITY, COMP. KW AND APP. DEW PT. ARE VALID ONLY FOR WET COIL
 ALL TEMPERATURES IN DEGREES F.



Performance Data Cooling

Metric Units

TTA048C3 WITH MCX048E1 AT 0.57 CMS (1200 CFM) GROSS CAPACITY IN KILOWATTS

Return Air DB/WB C		Outdoor Temperatures C					
		25	29	32	35	40	45
21.0/14.5	Capacity kW	12.6	12.6	12.4	12.2	11.5	10.8
	Sensible kW	9.5	9.4	9.3	9.2	8.9	8.6
	SHR (%)	75	75	75	76	77	80
	Compressor kW	3.6	3.9	4.1	4.3	4.5	4.8
24.0/17.0	Capacity kW	13.5	13.4	13.2	13.0	12.3	11.5
	Sensible kW	9.7	9.7	9.6	9.5	9.2	8.8
	SHR (%)	72	72	72	73	75	77
	Compressor kW	3.7	4.0	4.2	4.4	4.7	4.9
29.0/21.0	Capacity kW	14.4	14.3	14.1	13.9	13.1	12.2
	Sensible kW	9.8	9.8	9.7	9.6	9.3	9.0
	SHR (%)	68	68	69	69	71	73
	Compressor kW	3.9	4.1	4.4	4.6	4.8	5.1

VALUES AT ARI RATING CONDITIONS
GROSS CAPACITY = 14.11 KW
AIRFLOW = 0.57 CMS
AIRFLOW = 1200 CFM
APP. DEW PT. = 11.6 DEG. C
COMPRESSOR POWER = 4612 WATTS
I.D. FAN POWER = 187 WATTS
O.D. FAN POWER = 262 WATTS
COP = 2.87
EER = 9.80 BTU/WATT

NOTE: RATED WITH 7.62 METERS OF 1 1/8 IN. SUCTION AND 3/8 IN. LIQUID LINES

*DRY COIL CONDITION (TOTAL CAPACITY = SENSIBLE CAPACITY)
TOTAL CAPACITY, COMP. KW AND APP. DEW PT. ARE VALID ONLY
FOR WET COIL ALL TEMPERATURES IN DEGREES C.

TTA060C3 WITH MCX060E1 AT 0.62 CMS (1315 CFM) GROSS CAPACITY IN KILOWATTS

Return Air DB/WB C		Outdoor Temperatures C					
		25	29	32	35	40	45
21.0/14.5	Capacity kW	15.5	15.6	15.4	15.3	14.5	13.7
	Sensible kW	11.5	11.5	11.5	11.4	11.0	10.6
	SHR (%)	74	74	74	74	76	77
	Compressor kW	4.2	4.5	4.8	5.1	5.4	5.7
24.0/17.0	Capacity kW	16.5	16.6	16.5	16.3	15.5	14.6
	Sensible kW	11.7	11.7	11.7	11.6	11.2	10.8
	SHR (%)	71	71	71	71	72	74
	Compressor kW	4.4	4.7	5.0	5.2	5.5	5.9
29.0/21.0	Capacity kW	17.6	17.7	17.5	17.4	16.5	15.6
	Sensible kW	11.7	11.7	11.7	11.6	11.3	10.9
	SHR (%)	67	66	67	67	68	70
	Compressor kW	4.5	4.9	5.1	5.4	5.7	6.0

VALUES AT ARI RATING CONDITIONS
GROSS CAPACITY = 17.62 KW
AIRFLOW = 0.62 CMS
AIRFLOW = 1315 CFM
APP. DEW PT. = 10.7 DEG. C
COMPRESSOR POWER = 5450 WATTS
I.D. FAN POWER = 187 WATTS
O.D. FAN POWER = 269 WATTS
COP = 3.08
EER = 1050 BTU/WATT

NOTE: RATED WITH 7.62 METERS OF 1 1/8 IN. SUCTION AND 3/8 IN. LIQUID LINES

*DRY COIL CONDITION (TOTAL CAPACITY = SENSIBLE CAPACITY)
TOTAL CAPACITY, COMP. KW AND APP. DEW PT. ARE VALID ONLY
FOR WET COIL ALL TEMPERATURES IN DEGREES C.



Performance Data Cooling

English Units

TTK512L100C WITH MCX512E1 AT 400 CFM GROSS CAPACITY IN BTU/H x 1000

O.D. D.B.	I.D. W.B.	TOTAL CAP.	SENS. CAP. AT ENTERING D.B. TEMP.				COMPR. KW	
			72	74	76	78		80
85	61	11.1	8.0	8.7	9.4	10.0	10.4	1.02
	65	12.0	6.6	7.3	8.0	8.7	9.4	1.06
	67	12.5	5.9	6.6	7.3	8.0	8.6	1.08
	71	13.4	4.4	5.1	5.8	6.5	7.2	1.12
95	61	10.8	7.9	8.6	9.3	9.8	10.4	1.10
	65	11.7	6.5	7.2	7.9	8.5	9.2	1.15
	67	12.1	5.8	6.5	7.1	7.8	8.5	1.17
	71	13.0	4.3	5.0	5.7	6.3	7.0	1.22
105	61	10.4	7.6	8.3	8.9	9.5	10.0	1.20
	65	11.2	6.2	6.9	7.6	8.3	9.0	1.25
	67	11.7	5.5	6.2	6.9	7.5	8.2	1.27
	71	12.5	4.7	4.7	5.4	6.1	6.8	1.32
115	61	9.9	7.4	8.1	8.7	9.2	9.7	1.30
	65	10.7	6.0	6.7	7.4	8.0	8.7	1.35
	67	11.1	5.3	6.0	6.6	7.3	8.0	1.38
	71	12.0	3.8	4.5	5.2	5.9	6.5	1.43

*Dry coil condition (Gross Capacity = Sensible Capacity)
Gross Capacity and Comp. KW are valid only for Wet Coil

Performance at the Rating Conditions of 80/67 & 95F
GROSS CAPACITY: 12.1 MBH
AIRFLOW: 400 CFM
SYSTEM POWER: 1394 WATTS
NOM. SYSTEM AMPS: 7.2 AMPS

TTK512P100A WITH MCX512E1/C1 AT 400 CFM GROSS CAPACITY IN BTU/H x 1000

O.D. D.B.	I.D. W.B.	TOTAL CAP.	SENS. CAP. AT ENTERING D.B. TEMP.				COMPR. KW	
			72	74	76	78		80
85	61	11.3	9.3	10.1	10.9	11.6	12.0	0.99
	65	12.2	7.7	8.5	9.3	10.1	10.8	1.03
	67	12.7	6.8	7.6	8.4	9.2	10.0	1.05
	71	13.6	5.1	5.9	6.7	7.5	8.3	1.09
95	61	11.0	9.2	9.9	10.7	11.4	12.0	1.07
	65	11.9	7.5	8.3	9.1	9.9	10.7	1.12
	67	12.3	6.7	7.5	8.3	9.1	9.8	1.14
	71	13.2	5.0	5.8	6.6	7.3	8.2	1.18
105	61	10.5	8.8	9.6	10.3	11.0	11.6	1.17
	65	11.4	7.2	8.0	8.8	9.6	10.4	1.22
	67	11.8	6.4	7.2	8.0	8.7	9.5	1.24
	71	12.7	5.5	5.5	6.3	7.1	7.8	1.29
115	61	10.1	8.6	9.3	10.0	10.7	11.2	1.27
	65	10.9	7.0	7.8	8.5	9.3	10.1	1.32
	67	11.3	6.1	6.9	7.7	8.5	9.2	1.34
	71	12.2	4.4	5.2	6.0	6.8	7.6	1.39

*Dry coil condition (Gross Capacity = Sensible Capacity)
Gross Capacity and Comp. KW are valid only for Wet Coil

Performance at the Rating Conditions of 80/67 & 95 F
GROSS CAPACITY: 12.3 MBH
AIRFLOW: 400 CFM
SYSTEM POWER: 1370 WATTS
NOM. SYSTEM AMPS: 6.3 AMPS



Performance Data Cooling

Metric Units

**TTK512L100C WITH MCX512E1
AT 680 CMH
GROSS CAPACITY IN KILOWATTS**

O.D. D.B.	I.D. W.B.	TOTAL CAP.	SENS. CAP. AT ENTERING D.B. TEMP.					COMPR. KW
			22.5	23.5	24.5	25.5	26.5	
30	16	3.3	2.3	2.6	2.7	2.9	3.0	1.02
	18	3.5	1.9	2.1	2.3	2.5	2.7	1.06
	19.5	3.7	1.7	1.9	2.1	2.3	2.5	1.08
	22	3.9	1.3	1.5	1.7	1.9	2.1	1.12
35	16	3.2	2.3	2.5	2.7	2.9	3.0	1.10
	18	3.4	1.9	2.1	2.3	2.5	2.7	1.15
	19.5	3.5	1.7	1.9	2.1	2.3	2.5	1.17
	22	3.8	1.3	1.5	1.7	1.9	2.1	1.22
40	16	3.0	2.2	2.4	2.6	2.8	2.9	1.20
	18	3.3	1.8	2.0	2.2	2.4	2.6	1.25
	19.5	3.4	1.6	1.8	2.0	2.2	2.4	1.27
	22	3.7	1.4	1.6	1.8	2.0	2.2	1.32
45	16	2.9	2.2	2.4	2.5	2.7	2.8	1.30
	18	3.1	1.8	2.0	2.2	2.4	2.6	1.35
	19.5	3.3	1.5	1.8	1.9	2.1	2.3	1.38
	22	3.5	1.1	1.3	1.5	1.7	1.9	1.43

*Dry coil condition (Gross Capacity = Sensible Capacity)
Gross Capacity and Comp. KW are valid only for Wet Coil

Performance at the Rating Conditions of 26.5/19.5 & 35 C
GROSS CAPACITY: 3.5 KW
AIRFLOW: 680 CMH
SYSTEM POWER: 1394 WATTS
NOM. SYSTEM AMPS: 7.2 AMPS

**TTK512P100A WITH MCX512E1
AT 680 CMH
GROSS CAPACITY IN KILOWATTS**

O.D. D.B.	I.D. W.B.	TOTAL CAP.	SENS. CAP. AT ENTERING D.B. TEMP.					COMPR. KW
			22.5	23.5	24.5	25.5	26.5	
30	16	3.3	2.7	3.0	3.2	3.4	3.5	0.99
	18	3.6	2.3	2.5	2.7	3.0	3.2	1.03
	19.5	3.7	2.0	2.2	2.5	2.7	2.9	1.05
	22	4.0	1.5	1.7	2.0	2.2	2.4	1.09
35	16	3.2	2.7	2.9	3.1	3.3	3.5	1.07
	18	3.5	2.2	2.4	2.7	2.9	3.1	1.12
	19.5	3.6	2.0	2.2	2.4	2.7	2.9	1.14
	22	3.9	1.5	1.7	1.9	2.1	2.4	1.18
40	16	3.1	2.6	2.8	3.0	3.2	3.4	1.17
	18	3.3	2.1	2.3	2.6	2.8	3.0	1.22
	19.5	3.5	1.9	2.1	2.3	2.6	2.8	1.24
	22	3.7	1.6	1.6	1.8	2.1	2.3	1.29
45	16	3.0	2.5	2.7	2.9	3.1	3.3	1.27
	18	3.2	2.0	2.3	2.5	2.7	3.0	1.32
	19.5	3.3	1.8	2.0	2.2	2.5	2.7	1.34
	22	3.6	1.3	1.5	1.8	2.0	2.2	1.39

*Dry coil condition (Gross Capacity = Sensible Capacity)
Gross Capacity and Comp. KW are valid only for Wet Coil

Performance at the Rating Conditions of 26.5/19.5 & 35 F
GROSS CAPACITY: 3.6 KW
AIRFLOW: 680 CMH
SYSTEM POWER: 1370 WATTS
NOM. SYSTEM AMPS: 6.3 AMPS



Performance Data Cooling

English Units

TTK518L100C WITH MCX518E1 AT 475 CFM GROSS CAPACITY IN BTU/H x 1000

O.D. D.B.	I.D. W.B.	TOTAL CAP.	SENS. CAP. AT ENTERING D.B. TEMP.				COMPR. KW	
			72	74	76	78		80
85	61	16.9	12.5	13.6	14.7	15.7	16.3	1.67
	65	18.3	10.4	11.5	12.5	13.6	14.6	1.74
	67	19.0	9.3	10.3	11.4	12.4	13.5	1.77
	71	20.4	6.9	8.0	9.0	10.2	11.2	1.85
95	61	16.4	12.4	13.4	14.5	15.4	16.3	1.81
	65	17.7	10.2	11.2	12.3	13.4	14.4	1.89
	67	18.4	9.0	10.1	11.2	12.2	13.3	1.93
	71	19.8	6.7	7.8	8.9	9.9	11.0	2.00
105	61	15.8	11.9	13.0	14.0	14.8	15.7	1.98
	65	17.0	9.8	10.8	11.9	12.9	14.0	2.05
	67	17.7	8.6	9.7	10.8	11.8	12.9	2.09
	71	19.0	7.4	7.4	8.5	9.5	10.6	2.17
115	61	15.1	11.6	12.6	13.5	14.4	15.2	2.14
	65	16.3	9.4	10.5	11.5	12.6	13.6	2.22
	67	16.9	8.3	9.4	10.4	11.5	12.5	2.26
	71	18.2	6.0	7.0	8.1	9.2	10.2	2.34

*Dry coil condition (Gross Capacity = Sensible Capacity)
Gross Capacity and Comp. KW are valid only for Wet Coil

Performance at the Rating Conditions of 80/67 & 95 F
GROSS CAPACITY: 18.4 MBH
AIRFLOW: 475 CFM
SYSTEM POWER: 2152 WATTS
NOM. SYSTEM AMPS: 9.9 AMPS

TTK524L100C WITH MCX524E1 AT 675 CFM GROSS CAPACITY IN BTU/H x 1000

O.D. D.B.	I.D. W.B.	TOTAL CAP.	SENS. CAP. AT ENTERING D.B. TEMP.				COMPR. KW	
			72	74	76	78		80
85	61	22.3	16.3	17.8	19.1	20.4	21.2	2.22
	65	24.1	13.5	14.9	16.3	17.7	19.1	2.31
	67	25.1	12.0	13.4	14.8	16.2	17.6	2.35
	71	26.9	9.0	10.4	11.8	13.2	14.6	2.45
95	61	21.7	16.1	17.4	18.8	20.0	21.2	2.41
	65	23.4	13.2	14.6	16.0	17.4	18.8	2.51
	67	24.3	11.7	13.1	14.5	15.9	17.3	2.56
	71	26.1	8.8	10.1	11.5	12.9	14.3	2.66
105	61	20.8	15.5	16.9	18.2	19.3	20.4	2.63
	65	22.5	12.7	14.1	15.5	16.8	18.2	2.73
	67	23.4	11.2	12.6	14.0	15.3	16.7	2.78
	71	25.1	9.6	9.6	11.0	12.4	13.8	2.89
115	61	19.9	15.1	16.4	17.6	18.8	19.7	2.84
	65	21.5	12.2	13.6	15.0	16.4	17.7	2.95
	67	22.4	10.7	12.2	13.5	14.9	16.3	3.00
	71	24.0	7.8	9.2	10.5	11.9	13.3	3.11

*Dry coil condition (Gross Capacity = Sensible Capacity)
Gross Capacity and Comp. KW are valid only for Wet Coil

Performance at the Rating Conditions of 80/67 & 95 F
GROSS CAPACITY: 24.3 MBH
AIRFLOW: 675 CFM
SYSTEM POWER: 2823 WATTS
NOM. SYSTEM AMPS: 12.5 AMPS



Performance Data Cooling

Metric Units

TTK518L100C WITH MCX518E1 AT 808 CMH GROSS CAPACITY IN KILOWATTS

O.D. D.B.	I.D. W.B.	TOTAL CAP.	SENS. CAP. AT ENTERING D.B. TEMP.					COMPR. KW
			22.5	23.5	24.5	25.5	26.5	
30	16	5.0	3.7	4.0	4.3	4.6	4.8	1.67
	18	5.4	3.0	3.4	3.7	4.0	4.3	1.74
	19.5	5.6	2.7	3.0	3.3	3.6	4.0	1.77
	22	6.0	2.0	2.3	2.6	3.0	3.3	1.85
35	16	4.8	3.6	3.9	4.2	4.5	4.8	1.81
	18	5.2	3.0	3.3	3.6	3.9	4.2	1.89
	19.5	5.4	2.6	3.0	3.3	3.6	3.9	1.93
	22	5.8	2.0	2.3	2.6	2.9	3.2	2.00
40	16	4.6	3.5	3.8	4.1	4.3	4.6	1.98
	18	5.0	2.9	3.2	3.5	3.8	4.1	2.05
	19.5	5.2	2.5	2.8	3.1	3.5	3.8	2.09
	22	5.6	2.2	2.2	2.5	2.8	3.1	2.17
45	16	4.4	3.4	3.7	4.0	4.2	4.4	2.14
	18	4.8	2.8	3.1	3.4	3.7	4.0	2.22
	19.5	5.0	2.4	2.7	3.0	3.4	3.7	2.26
	22	5.3	1.8	2.1	2.4	2.7	3.0	2.34

*Dry coil condition (Gross Capacity = Sensible Capacity)
Gross Capacity and Comp. KW are valid only for Wet Coil

Performance at the Rating Conditions of 26.5/19.5 & 35 C
GROSS CAPACITY: 5.4 KW
AIRFLOW: 808 CMH
SYSTEM POWER: 2152 WATTS
NOM. SYSTEM AMPS: 9.9 AMPS

TTK524L100C WITH MCX524E1 AT 1148 CMH GROSS CAPACITY IN KILOWATTS

O.D. D.B.	I.D. W.B.	TOTAL CAP.	SENS. CAP. AT ENTERING D.B. TEMP.					COMPR. KW
			22.5	23.5	24.5	25.5	26.5	
30	16	6.5	4.8	5.2	5.6	6.0	6.2	2.22
	18	7.1	4.0	4.4	4.8	5.2	5.6	2.31
	19.5	7.3	3.5	3.9	4.3	4.7	5.2	2.35
	22	7.9	2.6	3.1	3.4	3.9	4.3	2.45
35	16	6.4	4.7	5.1	5.5	5.9	6.2	2.41
	18	6.9	3.9	4.3	4.7	5.1	5.5	2.51
	19.5	7.1	3.4	3.9	4.3	4.7	5.1	2.56
	22	7.7	2.6	3.0	3.4	3.8	4.2	2.66
40	16	6.1	4.5	4.9	5.3	5.7	6.0	2.63
	18	6.6	3.7	4.1	4.5	4.9	5.3	2.73
	19.5	6.9	3.3	3.7	4.1	4.5	4.9	2.78
	22	7.3	2.8	2.8	3.2	3.6	4.0	2.89
45	16	5.8	4.4	4.8	5.2	5.5	5.8	2.84
	18	6.3	3.6	4.0	4.4	4.8	5.2	2.95
	19.5	6.6	3.1	3.6	4.0	4.4	4.8	3.00
	22	7.0	2.3	2.7	3.1	3.5	3.9	3.11

*Dry coil condition (Gross Capacity = Sensible Capacity)
Gross Capacity and Comp. KW are valid only for Wet Coil

Performance at the Rating Conditions of 26.5/19.5 & 35 C
GROSS CAPACITY: 7.1 KW
AIRFLOW: 1148 CMH
SYSTEM POWER: 2823 WATTS
NOM. SYSTEM AMPS: 12.5 AMPS



Performance Data Cooling

English Units

**TTK530K100C WITH MCX536E1
AT 915 CFM
GROSS CAPACITY IN BTU/H x 1000**

O.D. D.B.	I.D. W.B.	TOTAL CAP.	SENS. CAP. AT ENTERING D.B. TEMP.				COMPR. KW	
			72	74	76	78		80
85	61	28.3	20.9	22.8	24.5	26.2	27.2	2.87
	65	30.6	17.3	19.1	20.9	22.7	24.5	2.99
	67	31.8	15.4	17.2	19.0	20.8	22.6	3.05
	71	34.1	11.5	13.4	15.1	17.0	18.7	3.17
95	61	27.5	20.7	22.4	24.2	25.7	27.2	3.12
	65	29.7	17.0	18.7	20.6	22.3	24.1	3.24
	67	30.8	15.1	16.9	18.6	20.4	22.2	3.31
	71	33.1	11.2	13.0	14.8	16.5	18.4	3.44
105	61	26.4	19.9	21.6	23.3	24.8	26.2	3.40
	65	28.5	16.3	18.0	19.9	21.6	23.4	3.53
	67	29.7	14.4	16.1	17.9	19.7	21.5	3.59
	71	31.8	12.3	12.4	14.1	15.9	17.7	3.74
115	61	25.3	19.3	21.0	22.6	24.1	25.3	3.68
	65	27.3	15.7	17.5	19.2	21.0	22.7	3.82
	67	28.3	13.8	15.7	17.3	19.1	20.9	3.88
	71	30.5	10.0	11.8	13.5	15.3	17.1	4.02

*Dry coil condition (Gross Capacity = Sensible Capacity)
Gross Capacity and Comp. KW are valid only for Wet Coil

Performance at the Rating Conditions of 80/67 & 95 F
GROSS CAPACITY: 30.8 MBH
AIRFLOW: 915 CFM
SYSTEM POWER: 3755 WATTS
NOM. SYSTEM AMPS: 16.0 AMPS

**TTK536K100C WITH MCX536E1
AT 915 CFM
GROSS CAPACITY IN BTU/H x 1000**

O.D. D.B.	I.D. W.B.	TOTAL CAP.	SENS. CAP. AT ENTERING D.B. TEMP.				COMPR. KW	
			72	74	76	78		80
85	61	33.2	23.8	25.9	27.8	29.7	30.9	3.20
	65	35.8	19.7	21.7	23.7	25.8	27.8	3.33
	67	37.2	17.5	19.6	21.6	23.6	25.6	3.39
	71	40.0	13.1	15.2	17.1	19.2	21.2	3.53
95	61	32.3	23.4	25.4	27.5	29.1	30.8	3.47
	65	34.8	19.3	21.3	23.3	25.3	27.4	3.61
	67	36.1	17.1	19.2	21.2	23.2	25.2	3.68
	71	38.8	12.8	14.7	16.8	18.8	20.9	3.83
105	61	30.9	22.6	24.6	26.5	28.1	29.7	3.78
	65	33.4	18.5	20.5	22.5	24.5	26.5	3.93
	67	34.8	16.4	18.3	20.4	22.3	24.4	4.00
	71	37.2	14.0	14.1	16.0	18.1	20.1	4.16
115	61	29.6	21.9	23.9	25.7	27.3	28.7	4.09
	65	32.0	17.8	19.9	21.8	23.9	25.8	4.25
	67	33.2	15.7	17.8	19.7	21.7	23.7	4.33
	71	35.7	11.4	13.4	15.3	17.4	19.4	4.48

*Dry coil condition (Gross Capacity = Sensible Capacity)
Gross Capacity and Comp. KW are valid only for Wet Coil

Performance at the Rating Conditions of 80/67 & 95 F
GROSS CAPACITY: 36.1 MBH
AIRFLOW: 915 CFM
SYSTEM POWER: 4130 WATTS
NOM. SYSTEM AMPS: 18.8 AMPS



Performance Data Cooling

Metric Units

**TTK530K100C WITH MCX536E1
AT 1556 CMH
GROSS CAPACITY IN KILOWATTS**

O.D. D.B.	I.D. W.B.	TOTAL CAP.	SENS. CAP. AT ENTERING D.B. TEMP.					COMPR. KW
			22.5	23.5	24.5	25.5	26.5	
30	16	8.3	6.1	6.7	7.2	7.7	8.0	2.87
	18	9.0	5.1	5.6	6.1	6.7	7.2	2.99
	19.5	9.3	4.5	5.0	5.6	6.1	6.6	3.05
	22	10.0	3.4	3.9	4.4	5.0	5.5	3.17
35	16	8.1	6.1	6.6	7.1	7.5	8.0	3.12
	18	8.7	5.0	5.5	6.0	6.5	7.1	3.24
	19.5	9.0	4.4	4.9	5.5	6.0	6.5	3.31
	22	9.7	3.3	3.8	4.3	4.8	5.4	3.44
40	16	7.7	5.8	6.3	6.8	7.3	7.7	3.40
	18	8.4	4.8	5.3	5.8	6.3	6.9	3.53
	19.5	8.7	4.2	4.7	5.3	5.8	6.3	3.59
	22	9.3	3.6	3.6	4.1	4.7	5.2	3.74
45	16	7.4	5.7	6.2	6.6	7.1	7.4	3.68
	18	8.0	4.6	5.1	5.6	6.2	6.7	3.82
	19.5	8.3	4.0	4.6	5.1	5.6	6.1	3.88
	22	8.9	2.9	3.4	4.0	4.5	5.0	4.02

*Dry coil condition (Gross Capacity = Sensible Capacity)
Gross Capacity and Comp. KW are valid only for Wet Coil

Performance at the Rating Conditions of 26.5/19.5 & 35 C
GROSS CAPACITY: 9.0 KW
AIRFLOW: 1556 CMH
SYSTEM POWER: 3755 WATTS
NOM. SYSTEM AMPS: 16.0 AMPS

**TTK536K100C WITH MCX536E1
AT 1556 CMH
GROSS CAPACITY IN KILOWATTS**

O.D. D.B.	I.D. W.B.	TOTAL CAP.	SENS. CAP. AT ENTERING D.B. TEMP.					COMPR. KW
			22.5	23.5	24.5	25.5	26.5	
30	16	9.7	7.0	7.6	8.1	8.7	9.0	3.20
	18	10.5	5.8	6.4	7.0	7.6	8.1	3.33
	19.5	10.9	5.1	5.7	6.3	6.9	7.5	3.39
	22	11.7	3.8	4.4	5.0	5.6	6.2	3.53
35	16	9.5	6.9	7.4	8.0	8.5	9.0	3.47
	18	10.2	5.7	6.2	6.8	7.4	8.0	3.61
	19.5	10.6	5.0	5.6	6.2	6.8	7.4	3.68
	22	11.4	3.7	4.3	4.9	5.5	6.1	3.83
40	16	9.1	6.6	7.2	7.8	8.2	8.7	3.78
	18	9.8	5.4	6.0	6.6	7.2	7.8	3.93
	19.5	10.2	4.8	5.4	6.0	6.5	7.1	4.00
	22	10.9	4.1	4.1	4.7	5.3	5.9	4.16
45	16	8.7	6.4	7.0	7.5	8.0	8.4	4.09
	18	9.4	5.2	5.8	6.4	7.0	7.6	4.25
	19.5	9.7	4.6	5.2	5.8	6.4	6.9	4.33
	22	10.5	3.3	3.9	4.5	5.1	5.7	4.48

*Dry coil condition (Gross Capacity = Sensible Capacity)
Gross Capacity and Comp. KW are valid only for Wet Coil

Performance at the Rating Conditions of 26.5/19.5 & 35 C
GROSS CAPACITY: 10.6 KW
AIRFLOW: 1556 CMH
SYSTEM POWER: 4130 WATTS
NOM. SYSTEM AMPS: 18.8 AMPS



Performance Data Cooling

English Units

TTK536K400C WITH MCX536E1 AT 915 CFM GROSS CAPACITY IN BTU/H x 1000

O.D. D.B.	I.D. W.B.	TOTAL CAP.	SENS. CAP. AT ENTERING D.B. TEMP.				COMPR. KW	
			72	74	76	78		80
85	61	33.2	23.8	25.9	27.8	29.7	30.9	3.19
	65	35.8	19.7	21.7	23.7	25.8	27.8	3.32
	67	37.2	17.5	19.6	21.6	23.6	25.6	3.38
	71	40.0	13.1	15.2	17.1	19.2	21.2	3.52
95	61	32.3	23.4	25.4	27.5	29.1	30.8	3.46
	65	34.8	19.3	21.3	23.3	25.3	27.4	3.60
	67	36.1	17.1	19.2	21.2	23.2	25.2	3.67
	71	38.8	12.8	14.7	16.8	18.8	20.9	3.82
105	61	30.9	22.6	24.6	26.5	28.1	29.7	3.77
	65	33.4	18.5	20.5	22.5	24.5	26.5	3.92
	67	34.8	16.4	18.3	20.4	22.3	24.4	3.99
	71	37.2	14.0	14.1	16.0	18.1	20.1	4.15
115	61	29.6	21.9	23.9	25.7	27.3	28.7	4.08
	65	32.0	17.8	19.9	21.8	23.9	25.8	4.24
	67	33.2	15.7	17.8	19.7	21.7	23.7	4.31
	71	35.7	11.4	13.4	15.3	17.4	19.4	4.47

*Dry coil condition (Gross Capacity = Sensible Capacity)
Gross Capacity and Comp. KW are valid only for Wet Coil

Performance at the Rating Conditions of 80/67 & 95 F
GROSS CAPACITY: 36.1 MBH
AIRFLOW: 915 CFM
SYSTEM POWER: 4120 WATTS
NOM. SYSTEM AMPS: 7.4 AMPS

TTK042K400A WITH MCX042E10WA AT 1200 CFM GROSS CAPACITY IN BTU/H x 1000

O.D. D.B.	I.D. W.B.	TOTAL CAP.	SENS. CAP. AT ENTERING D.B. TEMP.				COMPR. KW	
			72	74	76	78		80
85	61	39.9	26.5	28.8	31.0	33.1	34.4	3.91
	65	43.1	21.9	24.2	26.5	28.8	30.9	4.08
	67	44.7	19.5	21.8	24.1	26.3	28.6	4.15
	71	48.1	14.6	16.9	19.1	21.5	23.7	4.33
95	61	38.8	26.1	28.3	30.6	32.5	34.4	4.25
	65	41.8	21.5	23.7	26.0	28.2	30.5	4.42
	67	43.4	19.1	21.4	23.6	25.9	28.1	4.51
	71	46.7	14.2	16.4	18.7	20.9	23.3	4.69
105	61	37.2	25.1	27.4	29.5	31.3	33.1	4.63
	65	40.2	20.6	22.8	25.1	27.3	29.6	4.81
	67	41.8	18.3	20.4	22.7	24.9	27.2	4.90
	71	44.8	15.6	15.7	17.9	20.2	22.4	5.09
115	61	35.6	24.4	26.6	28.6	30.5	32.0	5.01
	65	38.5	19.9	22.1	24.3	26.6	28.8	5.20
	67	39.9	17.5	19.8	21.9	24.2	26.4	5.29
	71	42.9	12.7	14.9	17.1	19.4	21.6	5.48

*Dry coil condition (Gross Capacity = Sensible Capacity)
Gross Capacity and Comp. KW are valid only for Wet Coil

Performance at the Rating Conditions of 80/67 & 95 F
GROSS CAPACITY: 43.4 MBH
AIRFLOW: 1200 CFM
SYSTEM POWER: 4975 WATTS
NOM. SYSTEM AMPS: 9.6 AMPS



Performance Data Cooling

Metric Units

TTK536K400C WITH MCX536E1 AT 1556 CMH GROSS CAPACITY IN KILOWATTS

O.D. D.B.	I.D. W.B.	TOTAL CAP.	SENS. CAP. AT ENTERING D.B. TEMP.					COMPR. KW
			22.5	23.5	24.5	25.5	26.5	
30	16	9.7	7.0	7.6	8.1	8.7	9.0	3.19
	18	10.5	5.8	6.4	7.0	7.6	8.1	3.32
	19.5	10.9	5.1	5.7	6.3	6.9	7.5	3.38
	22	11.7	3.8	4.4	5.0	5.6	6.2	3.52
35	16	9.5	6.9	7.4	8.0	8.5	9.0	3.46
	18	10.2	5.7	6.2	6.8	7.4	8.0	3.60
	19.5	10.6	5.0	5.6	6.2	6.8	7.4	3.67
	22	11.4	3.7	4.3	4.9	5.5	6.1	3.82
40	16	9.1	6.6	7.2	7.8	8.2	8.7	3.77
	18	9.8	5.4	6.0	6.6	7.2	7.8	3.92
	19.5	10.2	4.8	5.4	6.0	6.5	7.1	3.99
	22	10.9	4.1	4.1	4.7	5.3	5.9	4.15
45	16	8.7	6.4	7.0	7.5	8.0	8.4	4.08
	18	9.4	5.2	5.8	6.4	7.0	7.6	4.24
	19.5	9.7	4.6	5.2	5.8	6.4	6.9	4.31
	22	10.5	3.3	3.9	4.5	5.1	5.7	4.47

*Dry coil condition (Gross Capacity = Sensible Capacity)
Gross Capacity and Comp. KW are valid only for Wet Coil

Performance at the Rating Conditions of 26.5/19.5 & 35 C
GROSS CAPACITY: 10.6 KW
AIRFLOW: 1556 CMH
SYSTEM POWER: 4120 WATTS
NOM. SYSTEM AMPS: 7.4 AMPS

TTK042K400A WITH MCX042E10WA AT 2040 CMH GROSS CAPACITY IN KILOWATTS

O.D. D.B.	I.D. W.B.	TOTAL CAP.	SENS. CAP. AT ENTERING D.B. TEMP.					COMPR. KW
			22.5	23.5	24.5	25.5	26.5	
30	16	11.7	7.8	8.4	9.1	9.7	10.1	3.91
	18	12.6	6.4	7.1	7.8	8.4	9.1	4.08
	19.5	13.1	5.7	6.4	7.1	7.7	8.4	4.15
	22	14.1	4.3	5.0	5.6	6.3	6.9	4.33
35	16	11.4	7.7	8.3	9.0	9.5	10.1	4.25
	18	12.3	6.3	6.9	7.6	8.3	8.9	4.42
	19.5	12.7	5.6	6.3	6.9	7.6	8.2	4.51
	22	13.7	4.2	4.8	5.5	6.1	6.8	4.69
40	16	10.9	7.4	8.0	8.6	9.2	9.7	4.63
	18	11.8	6.0	6.7	7.4	8.0	8.7	4.81
	19.5	12.2	5.3	6.0	6.7	7.3	8.0	4.90
	22	13.1	4.6	4.6	5.2	5.9	6.6	5.09
45	16	10.4	7.2	7.8	8.4	8.9	9.4	5.01
	18	11.3	5.8	6.5	7.1	7.8	8.4	5.20
	19.5	11.7	5.1	5.8	6.4	7.1	7.7	5.29
	22	12.6	3.7	4.4	5.0	5.7	6.3	5.48

Dry coil condition (Gross Capacity = Sensible Capacity)
Gross Capacity and Comp. KW are valid only for Wet Coil

Performance at the Rating Conditions of 26.5/19.5 & 35 C
GROSS CAPACITY: 12.7 KW
AIRFLOW: 2040 CMH
SYSTEM POWER: 4975 WATTS
NOM. SYSTEM AMPS: 9.6 AMPS



Performance Data Cooling

English Units

TTK048K400D WITH MCX048E10WA AT 1200 CFM GROSS CAPACITY IN BTU/H x 1000

O.D. D.B.	I.D. W.B.	TOTAL CAP.	SENS. CAP. AT ENTERING D.B. TEMP.				COMPR. KW	
			72	74	76	78		80
85	61	44.4	28.2	30.7	33.0	35.3	36.6	4.54
	65	48.0	23.3	25.8	28.2	30.6	32.9	4.73
	67	49.8	20.8	23.2	25.6	28.0	30.4	4.82
	71	53.5	15.5	18.0	20.3	22.8	25.2	5.02
95	61	43.2	27.8	30.1	32.6	34.6	36.6	4.93
	65	46.6	22.9	25.2	27.7	30.0	32.5	5.13
	67	48.3	20.3	22.7	25.1	27.5	29.9	5.23
	71	51.9	15.1	17.5	19.9	22.3	24.8	5.43
105	61	41.4	26.8	29.2	31.4	33.3	35.3	5.37
	65	44.7	21.9	24.3	26.7	29.1	31.5	5.58
	67	46.5	19.4	21.7	24.2	26.5	28.9	5.68
	71	49.8	16.6	16.7	19.0	21.5	23.8	5.90
115	61	39.6	26.0	28.3	30.4	32.4	34.1	5.81
	65	42.8	21.1	23.6	25.9	28.3	30.6	6.04
	67	44.4	18.6	21.1	23.3	25.8	28.1	6.14
	71	47.8	13.5	15.8	18.2	20.6	23.0	6.36

*Dry coil condition (Gross Capacity = Sensible Capacity)
Gross Capacity and Comp. KW are valid only for Wet Coil

Performance at the Rating Conditions of 80/67 & 95 F
GROSS CAPACITY: 48.3 MBH
AIRFLOW: 1200 CFM
SYSTEM POWER: 5780 WATTS
NOM. SYSTEM AMPS: 9.9 AMPS

TTK060K400D WITH MCX060E10WA AT 1315 CFM GROSS CAPACITY IN BTU/H x 1000

O.D. D.B.	I.D. W.B.	TOTAL CAP.	SENS. CAP. AT ENTERING D.B. TEMP.				COMPR. KW	
			72	74	76	78		80
85	61	52.1	32.7	35.6	38.3	40.9	42.5	5.29
	65	56.3	27.1	29.9	32.7	35.5	38.2	5.51
	67	58.5	24.1	26.9	29.7	32.5	35.3	5.62
	71	62.8	18.0	20.9	23.6	26.5	29.2	5.85
95	61	50.7	32.3	35.0	37.8	40.1	42.5	5.75
	65	54.7	26.6	29.3	32.1	34.9	37.7	5.98
	67	56.7	23.5	26.4	29.1	31.9	34.7	6.10
	71	61.0	17.6	20.3	23.1	25.8	28.8	6.34
105	61	48.6	31.1	33.8	36.5	38.7	40.9	6.26
	65	52.5	25.5	28.2	31.0	33.7	36.5	6.50
	67	54.6	22.5	25.2	28.0	30.8	33.6	6.62
	71	58.5	19.3	19.4	22.1	24.9	27.6	6.89
115	61	46.5	30.2	32.9	35.3	37.6	39.6	6.78
	65	50.2	24.5	27.3	30.0	32.9	35.6	7.04
	67	52.2	21.6	24.5	27.1	29.9	32.6	7.16
	71	56.1	15.7	18.4	21.1	23.9	26.7	7.42

*Dry coil condition (Gross Capacity = Sensible Capacity)
Gross Capacity and Comp. KW are valid only for Wet Coil

Performance at the Rating Conditions of 80/67 & 95 F
GROSS CAPACITY: 56.7 MBH
AIRFLOW: 1350 CFM
SYSTEM POWER: 6670 WATTS
NOM. SYSTEM AMPS: 11.3 AMPS



Performance Data Cooling

Metric Units

**TTK048K400D WITH MCX048E10WA
AT 2040 CMH
GROSS CAPACITY IN KILOWATTS**

O.D. D.B.	I.D. W.B.	TOTAL CAP.	SENS. CAP. AT ENTERING D.B. TEMP.					COMPR. KW
			22.5	23.5	24.5	25.5	26.5	
30	16	13.0	8.3	9.0	9.7	10.3	10.7	4.54
	18	14.1	6.8	7.6	8.2	9.0	9.6	4.73
	19.5	14.6	6.1	6.8	7.5	8.2	8.9	4.82
	22	15.7	4.6	5.3	6.0	6.7	7.4	5.02
35	16	12.7	8.1	8.8	9.5	10.1	10.7	4.93
	18	13.6	6.7	7.4	8.1	8.8	9.5	5.13
	19.5	14.2	5.9	6.7	7.4	8.1	8.8	5.23
	22	15.2	4.4	5.1	5.8	6.5	7.3	5.43
40	16	12.1	7.8	8.5	9.2	9.8	10.3	5.37
	18	13.1	6.4	7.1	7.8	8.5	9.2	5.58
	19.5	13.6	5.7	6.4	7.1	7.8	8.5	5.68
	22	14.6	4.9	4.9	5.6	6.3	7.0	5.90
45	16	11.6	7.6	8.3	8.9	9.5	10.0	5.81
	18	12.5	6.2	6.9	7.6	8.3	9.0	6.04
	19.5	13.0	5.4	6.2	6.8	7.6	8.2	6.14
	22	14.0	4.0	4.6	5.3	6.0	6.7	6.36

Dry coil condition (Gross Capacity = Sensible Capacity)
Gross Capacity and Comp. KW are valid only for Wet Coil

Performance at the Rating Conditions of 26.5/19.5 & 35 C
GROSS CAPACITY: 14.2 KW
AIRFLOW: 2040 CMH
SYSTEM POWER: 5780 WATTS
NOM. SYSTEM AMPS: 9.9 AMPS

**TTK060K400D WITH MCX060E10WA
AT 2295 CMH
GROSS CAPACITY IN KILOWATTS**

O.D. D.B.	I.D. W.B.	TOTAL CAP.	SENS. CAP. AT ENTERING D.B. TEMP.					COMPR. KW
			22.5	23.5	24.5	25.5	26.5	
30	16	15.3	9.6	10.4	11.2	12.0	12.4	5.29
	18	16.5	7.9	8.8	9.6	10.4	11.2	5.51
	19.5	17.1	7.1	7.9	8.7	9.5	10.3	5.62
	22	18.4	5.3	6.1	6.9	7.8	8.6	5.85
35	16	14.9	9.5	10.2	11.1	11.8	12.4	5.75
	18	16.0	7.8	8.6	9.4	10.2	11.0	5.98
	19.5	16.6	6.9	7.7	8.5	9.4	10.2	6.10
	22	17.9	5.1	5.9	6.8	7.6	8.4	6.34
40	16	14.2	9.1	9.9	10.7	11.3	12.0	6.26
	18	15.4	7.5	8.3	9.1	9.9	10.7	6.50
	19.5	16.0	6.6	7.4	8.2	9.0	9.8	6.62
	22	17.1	5.6	5.7	6.5	7.3	8.1	6.89
45	16	13.6	8.8	9.6	10.4	11.0	11.6	6.78
	18	14.7	7.2	8.0	8.8	9.6	10.4	7.04
	19.5	15.3	6.3	7.2	7.9	8.8	9.5	7.16
	22	16.4	4.6	5.4	6.2	7.0	7.8	7.42

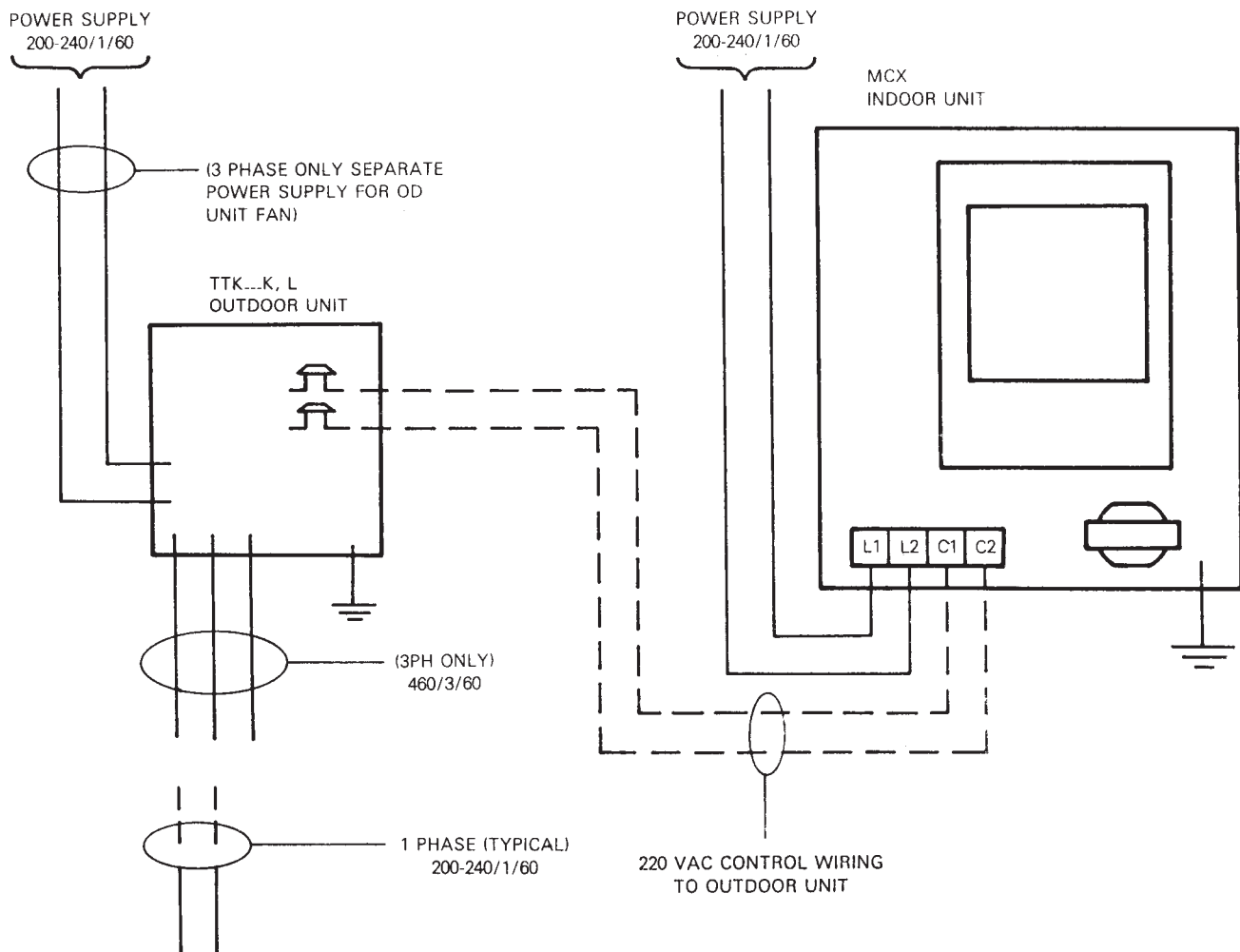
*Dry coil condition (Gross Capacity = Sensible Capacity)
Gross Capacity and Comp. KW are valid only for Wet Coil

Performance at the Rating Conditions of 26.5/19.5 & 35 C
GROSS CAPACITY: 16.6 KW
AIRFLOW: 2295 CMH
SYSTEM POWER: 6670 WATTS
NOM. SYSTEM AMPS: 11.3 AMPS



System Wiring Diagram

Typical Interconnecting Wiring FOR TTK-K/L . . . OUTDOOR UNITS WITH MCX INDOOR UNITS EQUIPPED WITH FACTORY WIRED REMOTE CONTROLLER.



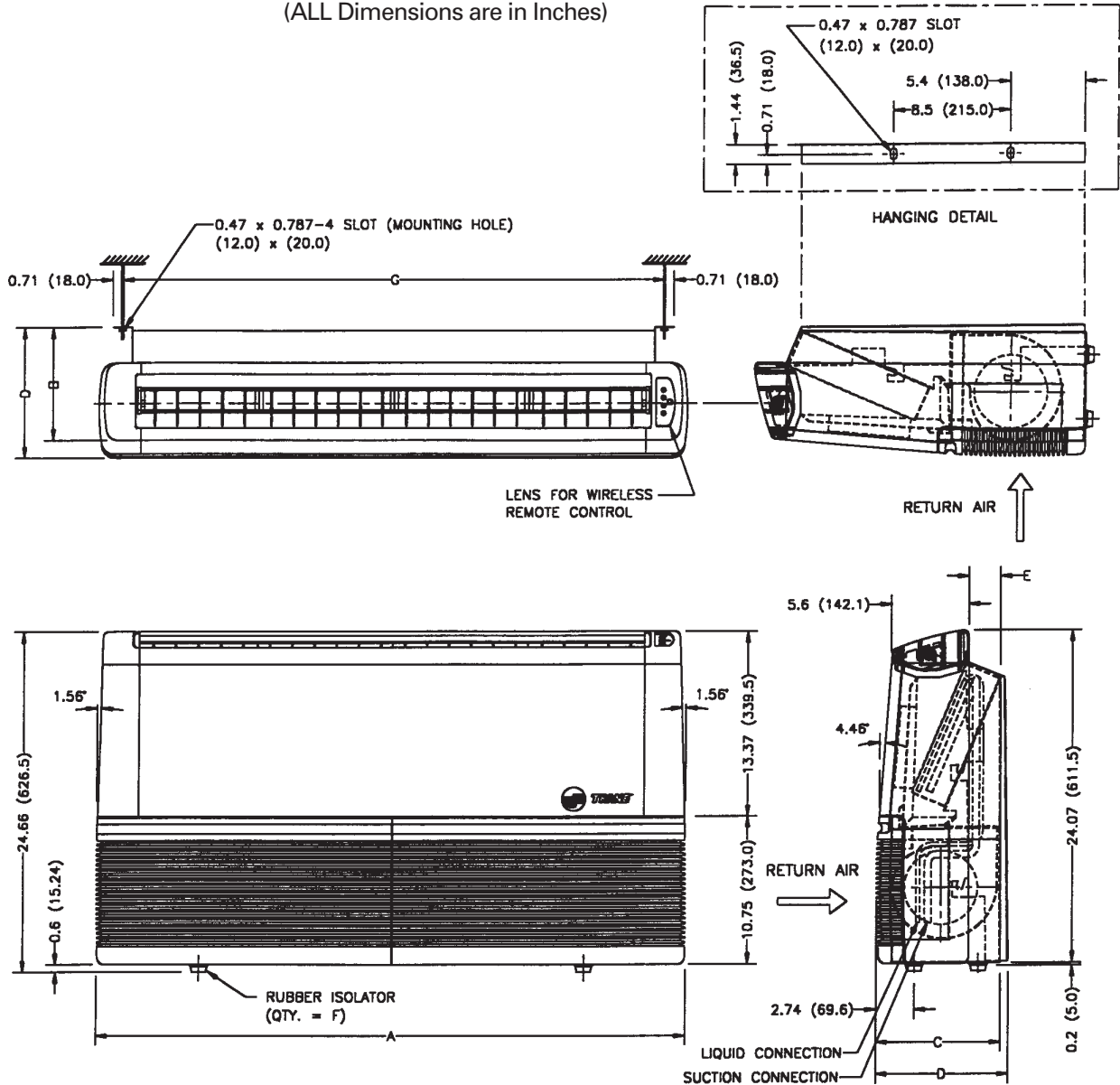
POWER SUPPLY

1. POWER WIRING AND GROUNDING OF EQUIPMENT MUST COMPLY WITH LOCAL CODES.
2. INSURE THAT POWER SUPPLY AGREES WITH EQUIPMENT NAMEPLATE.
3. USE COPPER CONDUCTOR ONLY.

Dimensional Data

MCX512-536E

(ALL Dimensions are in Inches)



DIMENSIONAL DATA

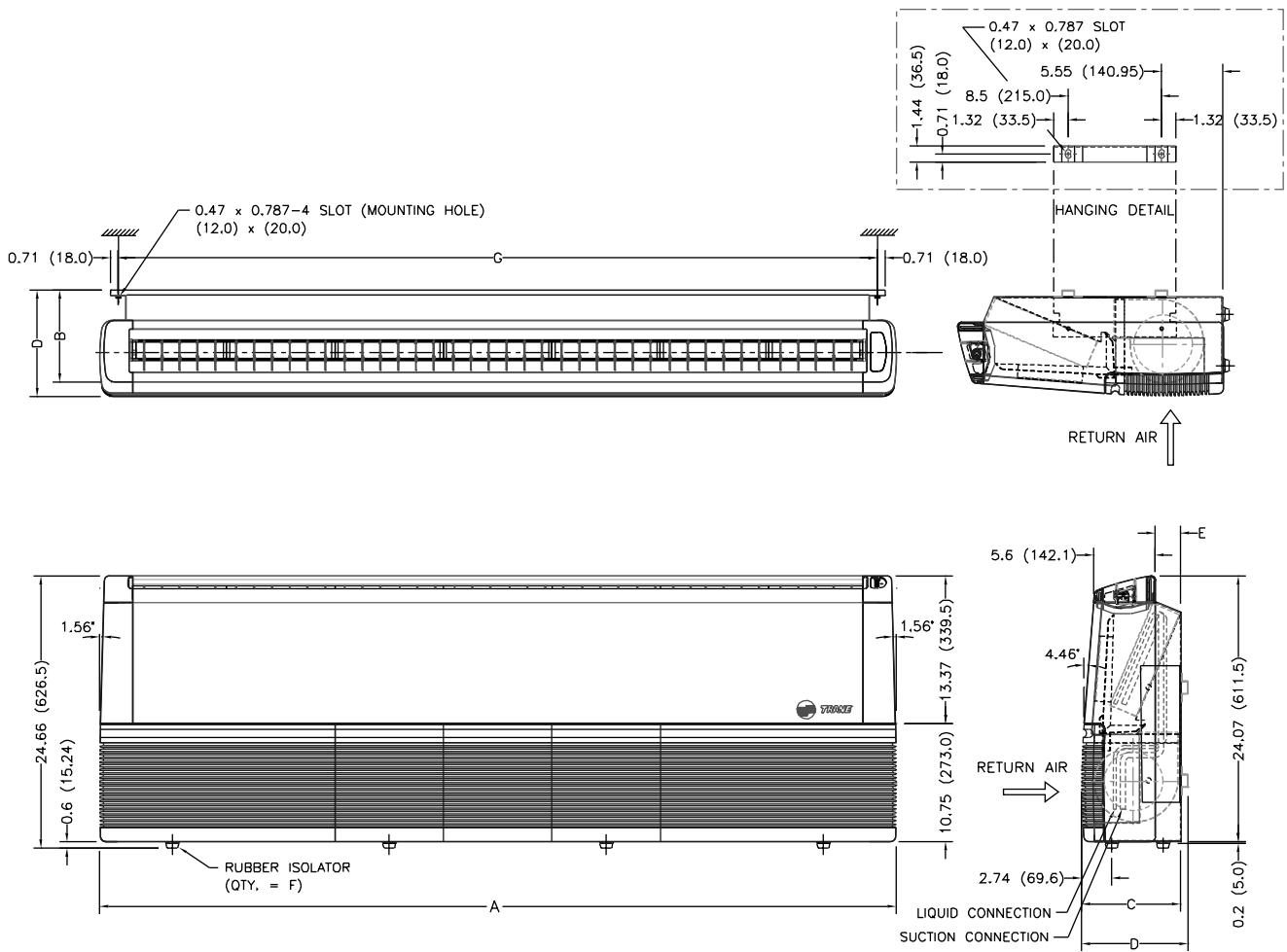
MODEL	CONN. SIZES		A		B		C		D		E		F		G	
	LIQUID	SUCTION	IN.	(MM)	IN.	(MM)	IN.	(MM)	IN.	(MM)	IN.	(MM)	EACH	IN.	(MM)	
MCX512.518E	1/4 (6)	1/2 (13)	42.7	(1085.25)	8.2	(208.0)	9.0	(228.68)	9.6	(242.79)	2.3	(59.0)	4	39.3	(999.0)	
MCX524E	3/8 (10)	5/8 (16)	52.6	(1335.25)	9.2	(233.0)	10.0	(253.68)	10.5	(267.79)	3.3	(84.0)	4	49.2	(1249.0)	
MCX530E	3/8 (10)	5/8 (16)	62.4	(1585.25)	9.2	(233.0)	10.0	(253.68)	10.5	(267.79)	3.3	(84.0)	6	59.0	(1499.0)	
MCX536E	3/8 (10)	3/4 (19)	62.4	(1585.25)	9.2	(233.0)	10.0	(253.68)	10.5	(267.79)	3.3	(84.0)	6	59.0	(1499.0)	

NOTE 1) SUCTION AND LIQUID LINES HAVE FLARE TYPE CONNECTIONS.
 2) DIMENSIONS: INCHES (MILLIMETERS); 1 IN. = 25.4 MM.



Dimensional Data

MCX042-060E



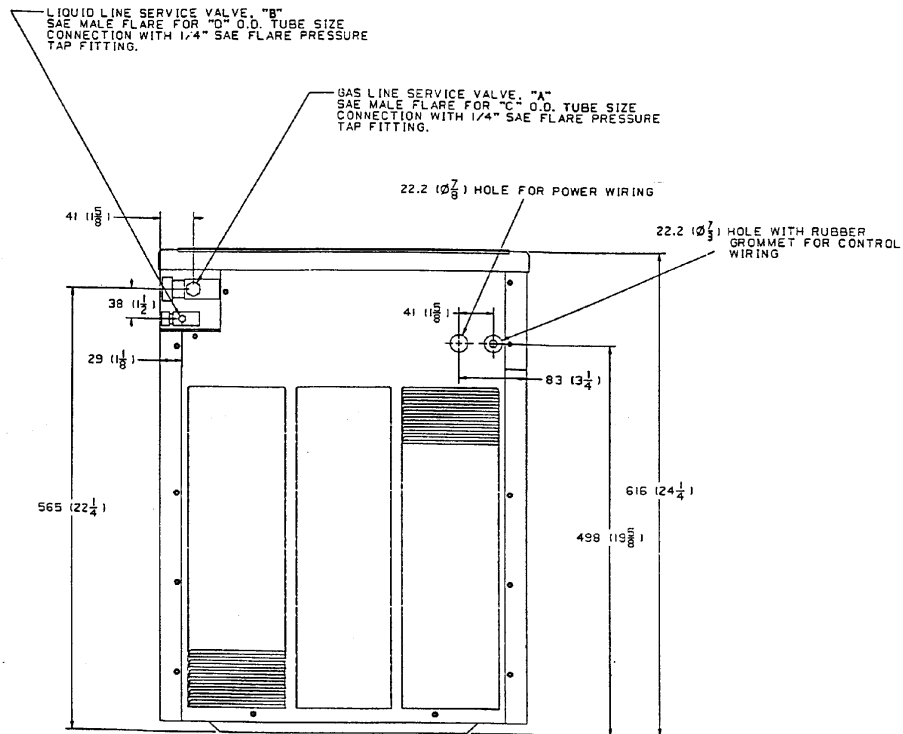
DIMENSIONAL DATA

MODEL	CONN. SIZES		A		B		C		D		E		F		G	
	LIQUID	SUCTION	IN.	(MM)	IN.	(MM)	IN.	(MM)	IN.	(MM)	IN.	(MM)	EACH	IN.	(MM)	
MCX042	3/8 (9.5)	7/8 (22.2)	72.3	(1835.25)	9.2	(233.0)	10.0	(253.68)	10.5	(267.79)	3.3	(84.0)	8	68.9	(1749.0)	
MCX048	3/8 (9.5)	1-1/8 (28.6)	72.3	(1835.25)	9.2	(233.0)	10.0	(253.68)	10.5	(267.79)	3.3	(84.0)	8	68.9	(1749.0)	
MCX060	3/8 (9.5)	1-1/8 (28.6)	82.1	(2085.25)	9.2	(233.0)	10.0	(253.68)	10.5	(267.79)	3.3	(84.0)	8	78.7	(1999.0)	

NOTE: DIMENSIONS: INCHES (MILLIMETERS) 1 IN. = 25.4 MM.

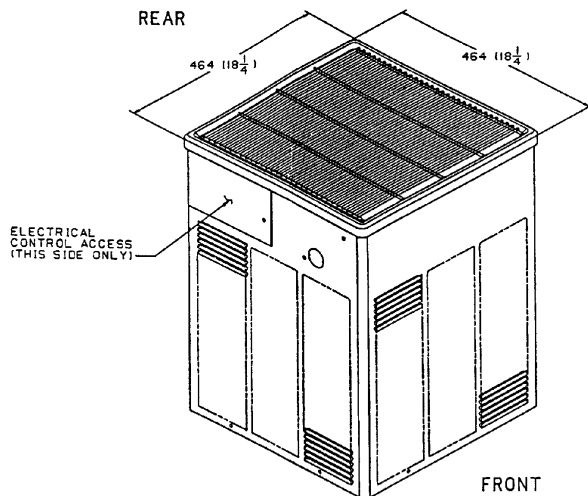
Dimensional Data

TTB512-524C



REAR VIEW

25.40 MILLIMETERS = (1 INCH)



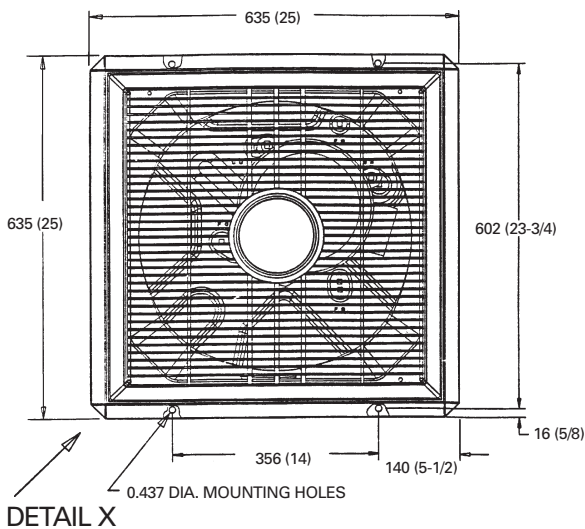


Dimensional Data

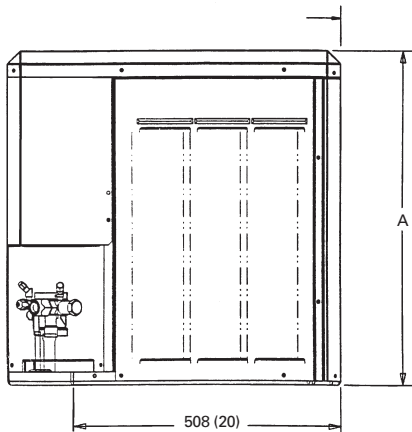
TTB530-536C

25.40 MILLIMETERS = (1 INCH)

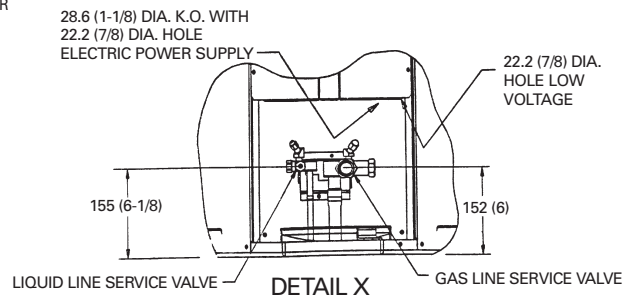
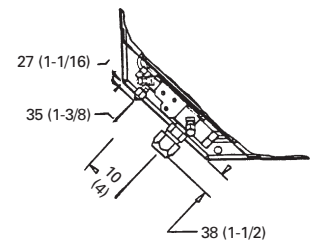
MODEL	A	B	C	D	E
TTB530-536C	826 (32-1/2)	1 1/16	1/2	19 (3/4)	8 (5/16)



SERVICE PANEL
ELECTRICAL AND REFRIGERANT
COMPONENTS CLEARANCES
PER PREVAILING CODES



TOP DISCHARGE AREA SHOULD BE UNRESTRICTED FOR AT LEAST 1524 (5 FEET) ABOVE UNIT. UNIT SHOULD BE PLACED SO ROOF RUN-OFF WATER DOES NOT POUR DIRECTLY ON UNIT AND SHOULD BE AT LEAST 305 (12") FROM WALL AND ALL SURROUNDING SHRUBBERY ON TWO SIDES. OTHER TWO SIDES UNRESTRICTED.



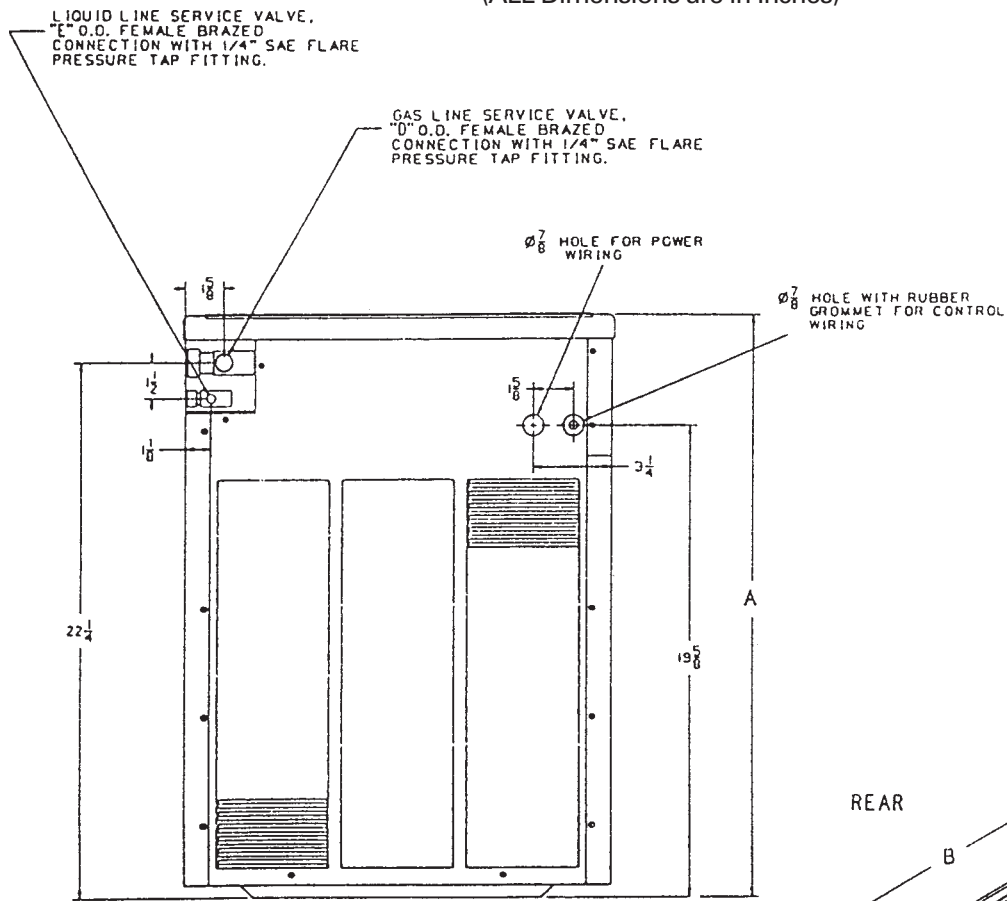
"C" SAE MALE FLARE FOR "E" O.D. TUBE SIZE CONNECTION WITH 1/4" SAE FLARE PRESSURE TAP FITTING.

"B" SAE MALE FLARE FOR "D" O.D. TUBE SIZE CONNECTION WITH 1/4" SAE FLARE PRESSURE TAP FITTING.

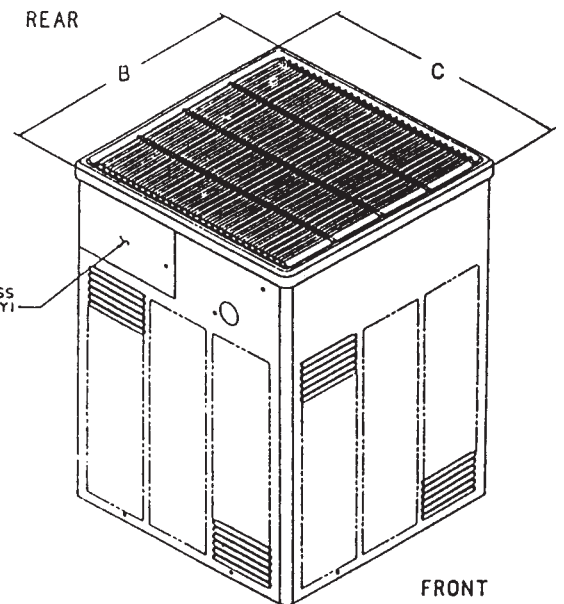
Dimensional Data

TTB012-024C

(ALL Dimensions are in Inches)



REAR VIEW



MODEL	A	B	C	D	E
TTB012C-A	24 ¹ / ₄	18 ¹ / ₄	18 ¹ / ₄	⁵ / ₈	¹ / ₄
TTB018C-A	24 ¹ / ₄	18 ¹ / ₄	18 ¹ / ₄	⁵ / ₈	¹ / ₄
TTB024C-A	24 ¹ / ₄	18 ¹ / ₄	18 ¹ / ₄	³ / ₄	⁵ / ₁₆

1 Inch = 25.4 mm

Dimensional Data

TTA030-060C

(ALL Dimensions are in Inches)

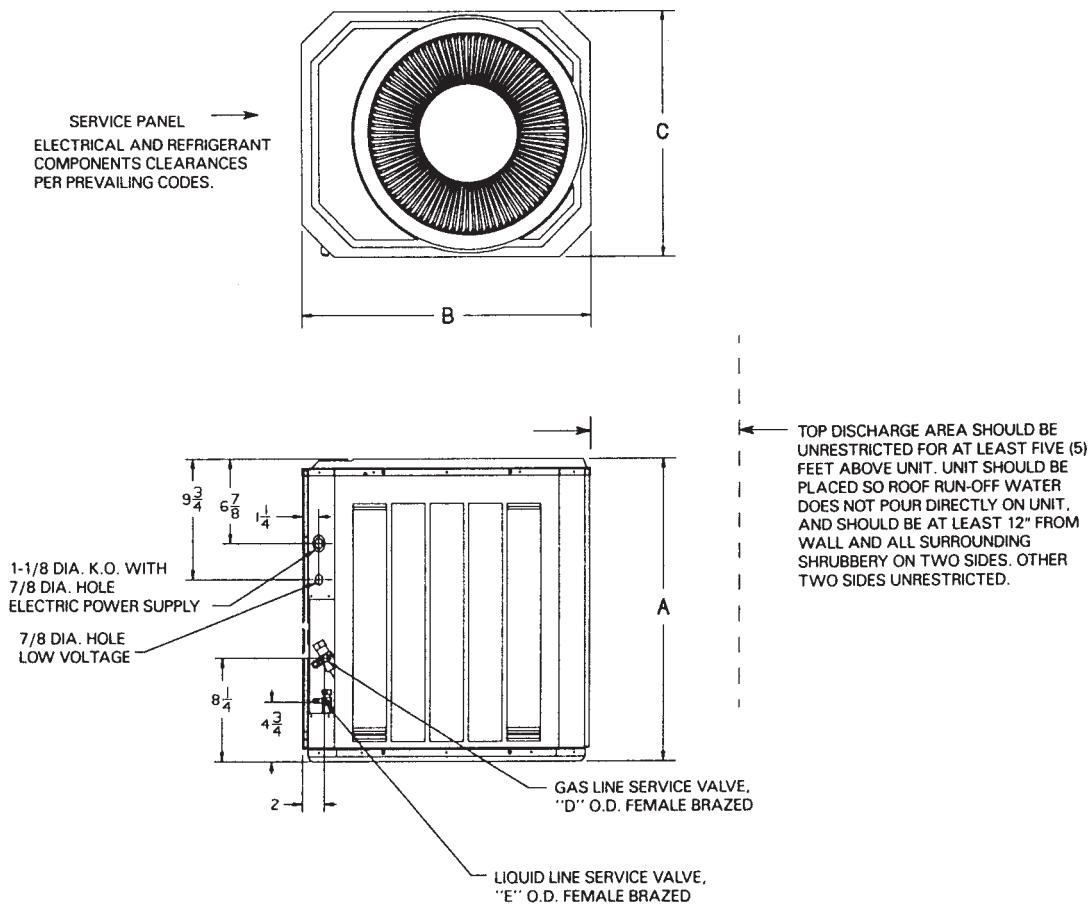


FIG. 1

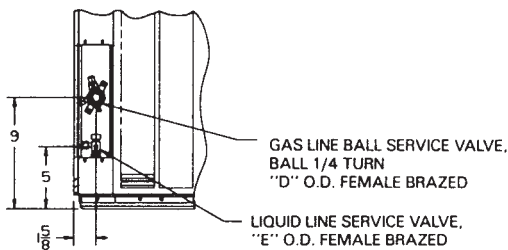


FIG. 2

MODELS	FIG.	A	B	C	D	E
TTA030C	1	619 (24 ³ / ₈)	718 (28 ¹ / ₄)	625 (24 ⁵ / ₈)	³ / ₄	⁵ / ₁₆
TTA036C	1	619 (24 ³ / ₈)	718 (28 ¹ / ₄)	625 (24 ⁵ / ₈)	⁷ / ₈	³ / ₈
TTA042C	1	832 (32 ³ / ₄)	718 (28 ¹ / ₄)	625 (24 ⁵ / ₈)	⁷ / ₈	³ / ₈
TTA048C	2	832 (32 ³ / ₄)	718 (28 ¹ / ₄)	625 (24 ⁵ / ₈)	1 ¹ / ₈	³ / ₈
TTA060C	2	1032 (40 ⁵ / ₈)	835 (32 ⁷ / ₈)	230 (28 ³ / ₄)	1 ¹ / ₈	³ / ₈

1 Inch = 25.4 MM

Dimensional Data

TTR030-060C

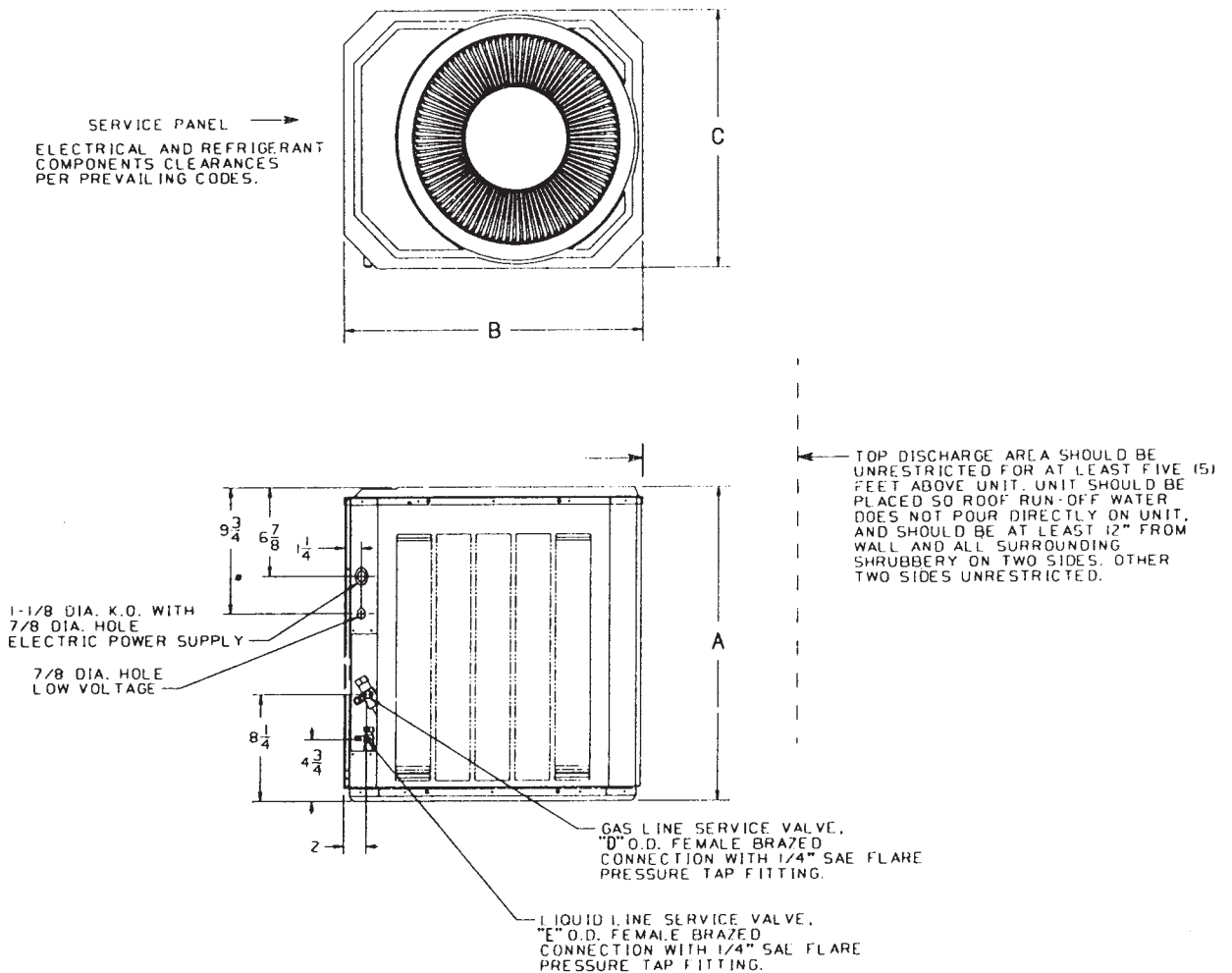


FIG. 1

MODELS	FIGURE	A	B	C	D	E
TTR030C-A	1	24 ³ / ₈	28 ¹ / ₄	24 ⁵ / ₈	³ / ₄	⁵ / ₁₆
TTR036C-A	1	24 ³ / ₈	28 ¹ / ₄	24 ⁵ / ₈	⁷ / ₈	³ / ₈
TTR042C-A	1	32 ³ / ₄	28 ¹ / ₄	24 ⁵ / ₈	1 ¹ / ₈	³ / ₈
TTR048C-A	1	32 ³ / ₄	28 ¹ / ₄	24 ⁵ / ₈	1 ¹ / ₈	³ / ₈
TTR060C-A	2	40 ⁵ / ₈	32 ⁷ / ₈	28 ³ / ₄	1 ¹ / ₈	³ / ₈

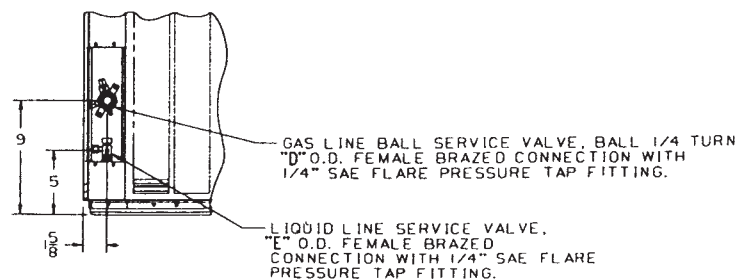


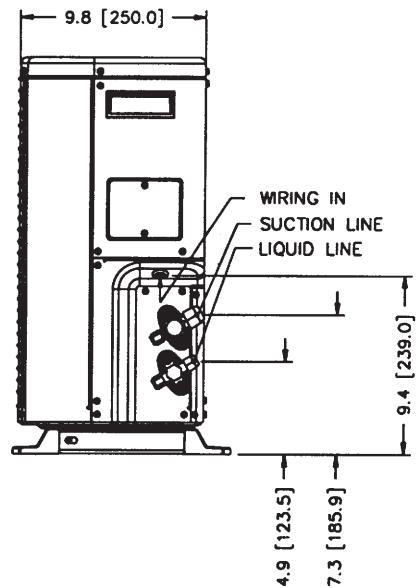
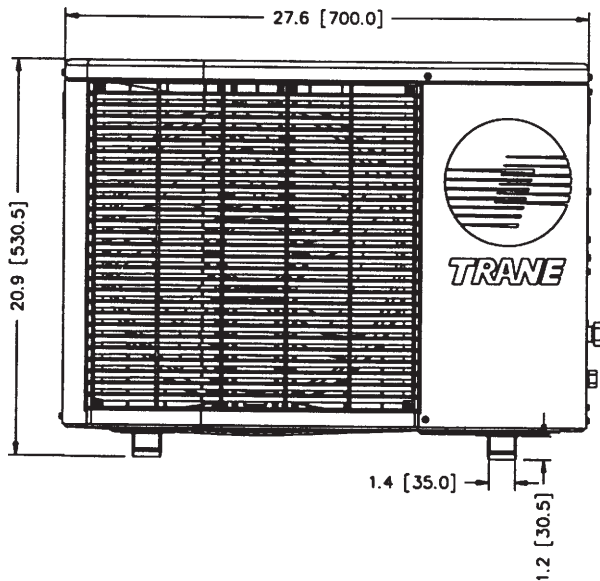
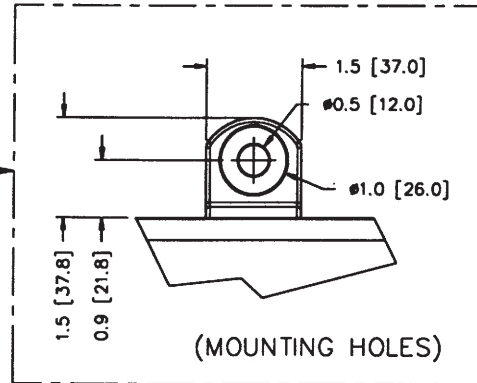
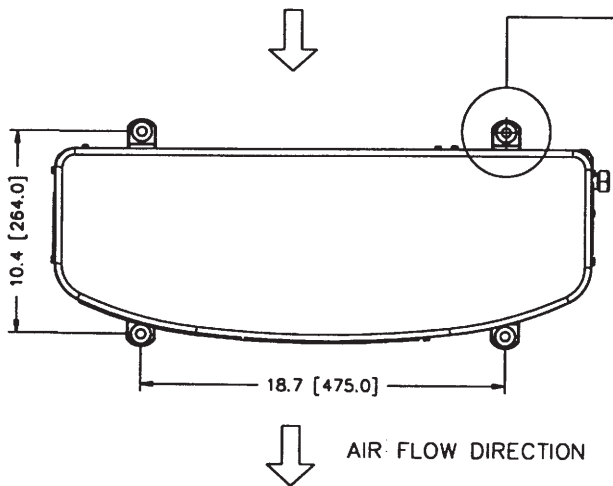
FIG. 2



Dimensional Data

TTK509-512P

MOUNTING DETAIL

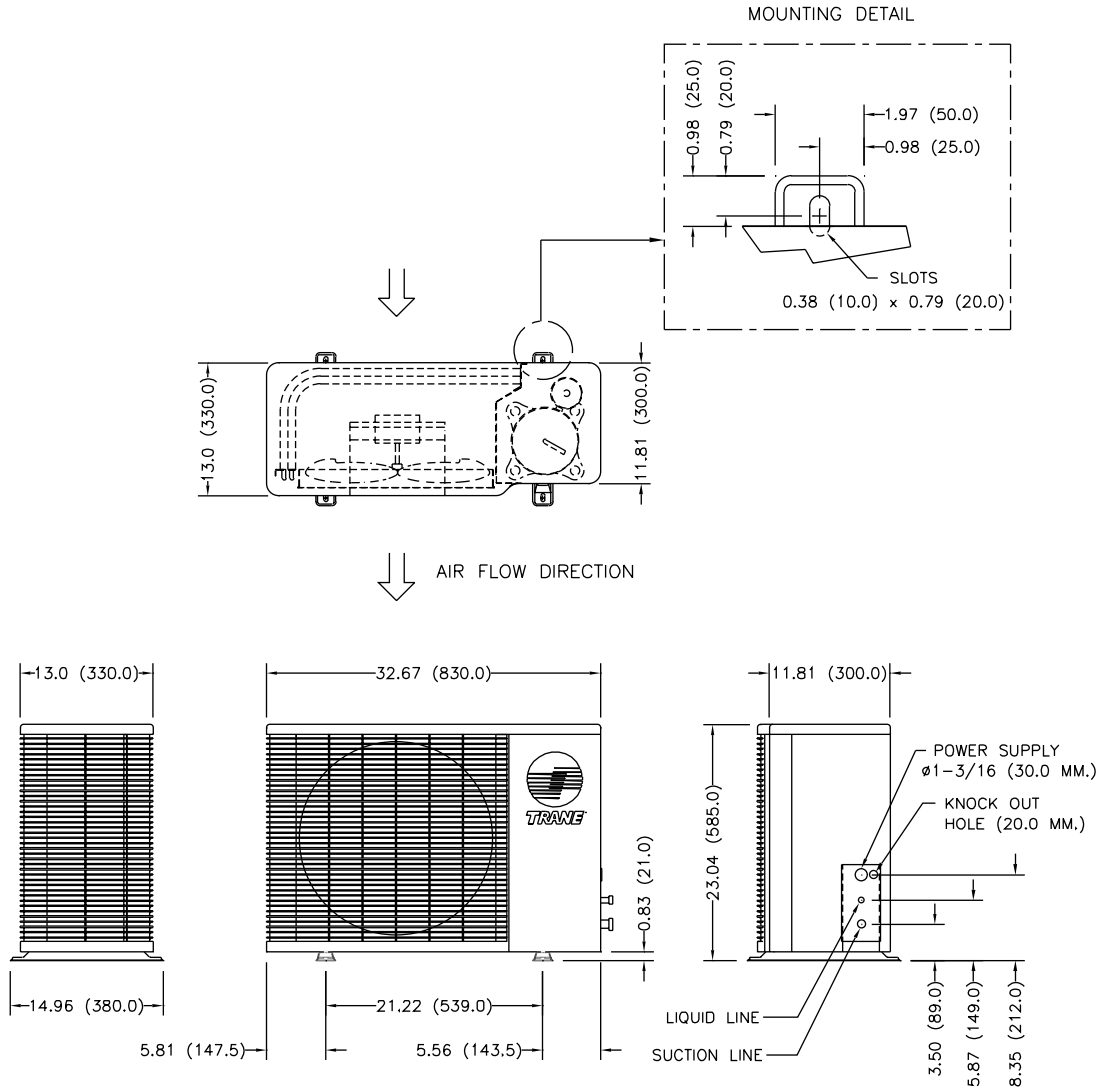


MODEL	REFRIG. LINE DIA.	
	LIQUID	SUCTION
TTK509	1/4" (6.35)	3/8" (9.53)
TTK512	1/4" (6.35)	1/2" (12.70)

NOTE 1. SUCTION AND LIQUID LINES ARE FLARE TYPE CONNECTIONS.
 2. DIMENSIONS: INCHES (MILLIMETERS): 1 IN. = 25.40 MM

Dimensional Data

TTK512-524L

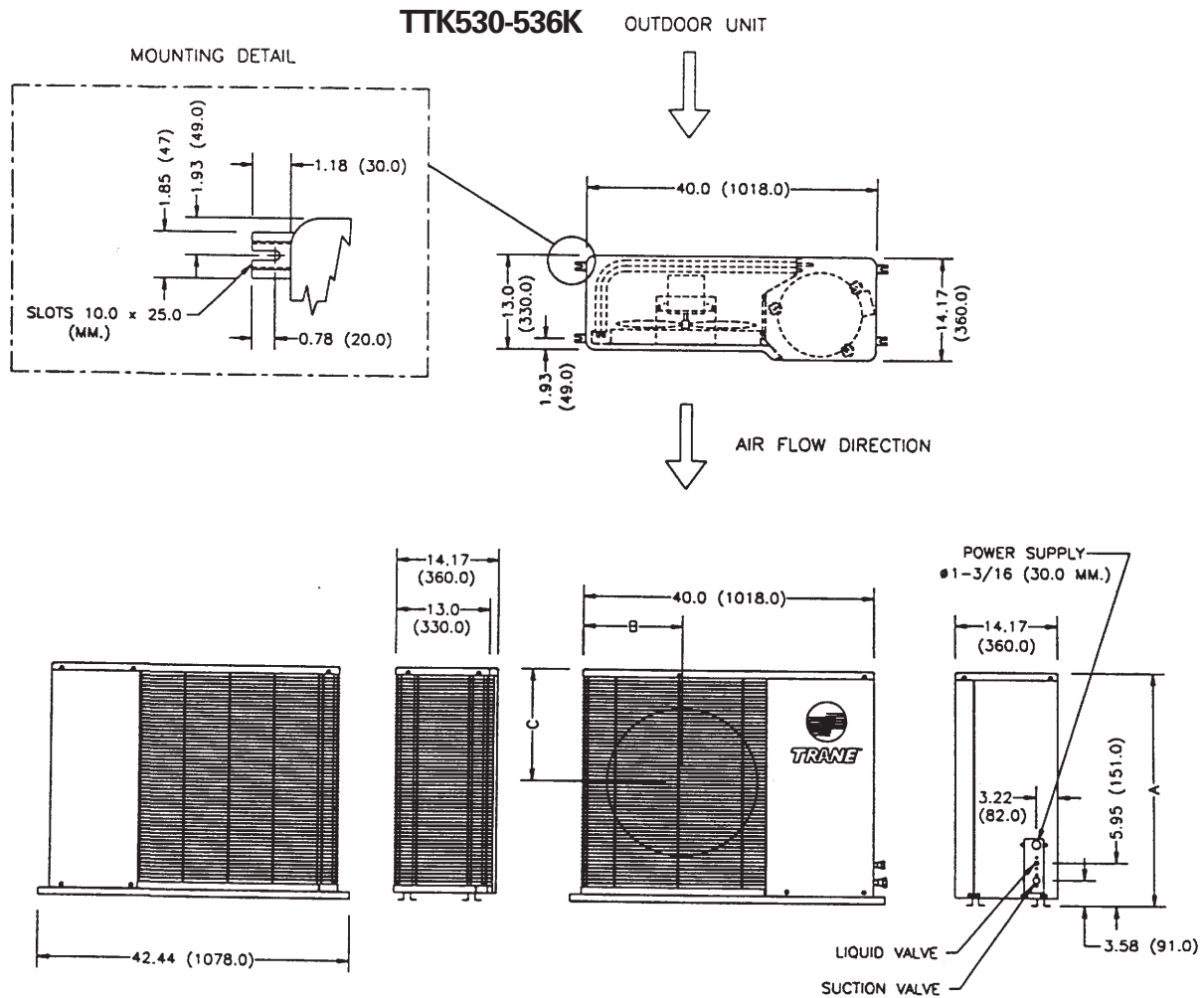


MODEL	REFRIG. LINE DIA.	
	LIQUID	SUCTION
TTK509MB/M1/LB	1/4 (6)	3/8 (10)
TTK512MB/LB/KB TTK512M1/L1/K1	1/4 (6)	1/2 (13)
TTK518MB/LB/KB TTK518M1/L1/K1		
TTK524MB/LB/KB TTK524M1/L1/K1	3/8 (10)	5/8 (16)

- NOTE**
- 1) SUCTION AND LIQUID LINE ARE FLARE TYPE CONNECTIONS.
 - 2) DIMENSIONS : INCHES (MILIMETERS) ; 1 IN. = 25.40 MM.
 - 3) THE "KB/K1" MODELS UTILIZE RECIPROCATING COMPRESSORS.
 - 4) THE "LB/L1" MODELS UTILIZE ROTARY COMPRESSORS.
 - 5) THE ABOVE MODELS UTILIZE ROTARY COMPRESSORS. CAPILLARY TUBE ASSEMBLY IS ALSO INCLUDED IN THE ABOVE MODELS.



Dimensional Data

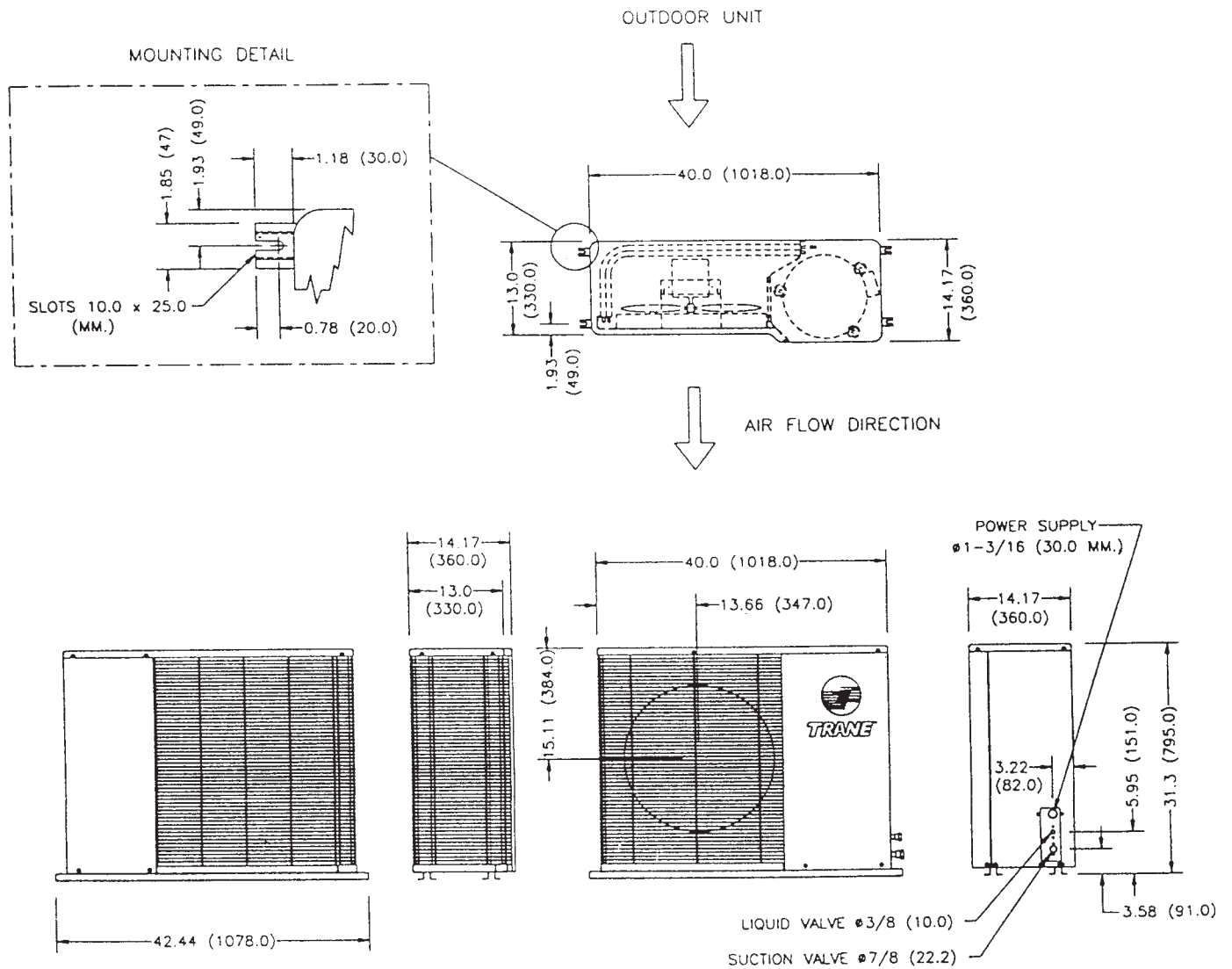


MODEL	REFRIG. LINE DIA.		A IN (MM.)	B IN (MM.)	C IN (MM.)
	LIQUID	SUCTION			
TTK530K	3/8 (10)	5/8 (16)	31.3 (795.0)	13.66 (347.0)	15.11 (384.0)
TTK536K	3/8 (10)	3/4 (19)			

- NOTES**
1. SUCTION AND LIQUID LINES ARE FLARE TYPE CONNECTIONS.
 2. DIMENSIONS: INCHES (MILLIMETERS): 1 IN. = 25.40 MM.
 3. THE ABOVE MODELS UTILIZE RECIPROCATING COMPRESSORS.

Dimensional Data

TTK042K

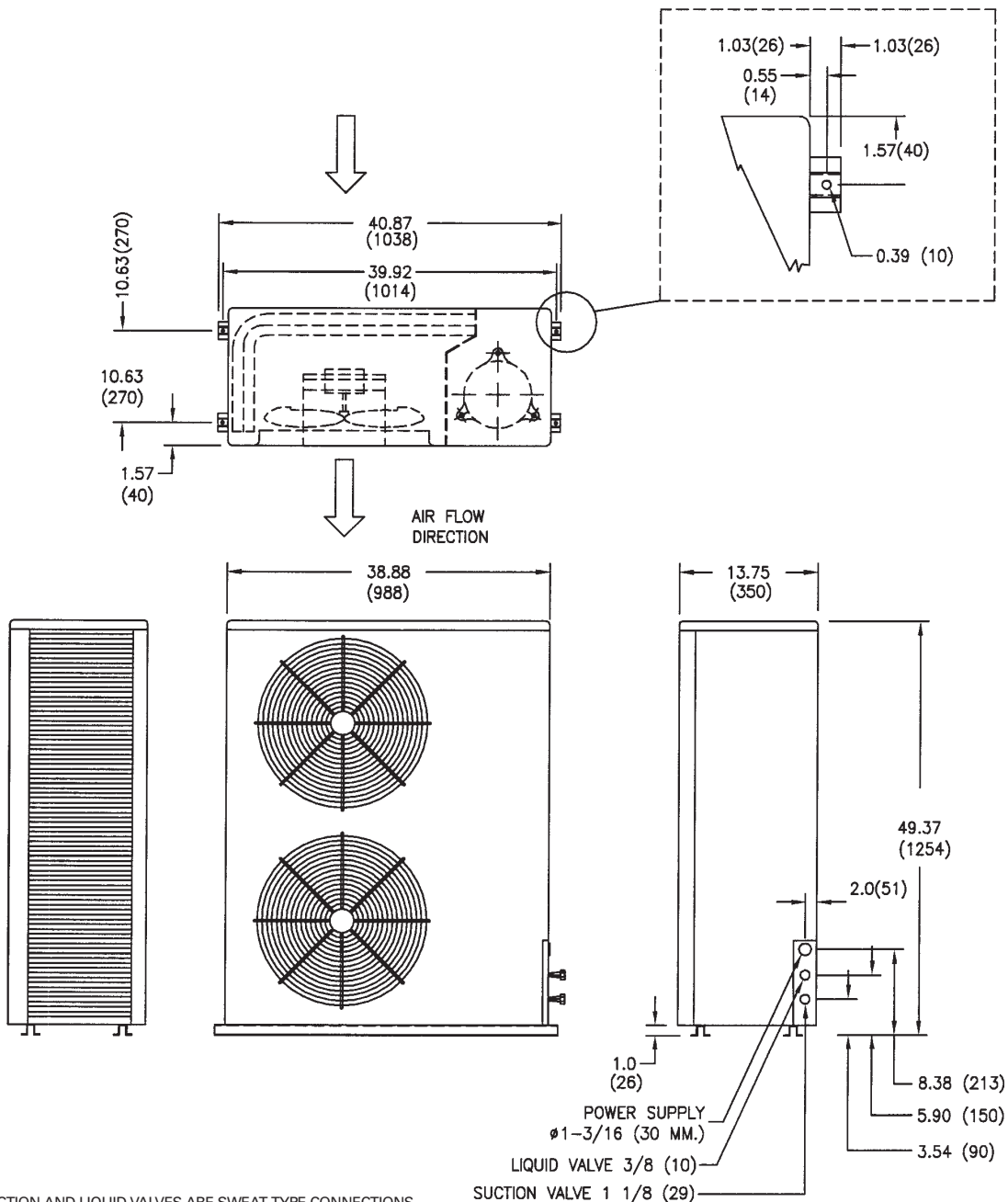


NOTE 1) SUCTION AND LIQUID VALVES ARE SWEAT TYPE CONNECTIONS
 2) DIMENSIONS: INCHES (MILLIMETERS) 1 IN. = 25.40 MM.
 3) THE ABOVE MODEL UTILIZES RECIPROCATING COMPRESSORS.

Dimensional Data

TTK048-060K

MOUNTING DETAIL



NOTE 1) SUCTION AND LIQUID VALVES ARE SWEAT TYPE CONNECTIONS.
2) DIMENSIONS: INCHES (MILLIMETERS) 1 IN. = 25.40 MM.
3) THE ABOVE MODELS UTILIZE RECIPROCATING COMPRESSORS.



The Trane Company
International Unitary Products Group
3600 Pammel Creek Road
La Crosse, WI 54601-7599
www.trane.com

An American Standard Company

File No. MCX6-PRC804-EN 11/98

Stocking Location La Crosse

Since The Trane Company has a policy of continuous product improvement, it reserves the right to change design and specifications without notice.