

TECHNICAL GUIDE

SINGLE PIECE 4 POSITION AIR HANDLERS STANDARD PSC MODELS: RFCX*P SERIES



Due to continuous product improvement, specifications are subject to change without notice.

Visit us on the web at:

www.upgnet.com

Additional rating information can be found at:

www.ahridirectory.org

WARRANTY

Standard 5-year limited parts warranty.

Extended 10-year limited parts warranty when product is registered online within 90 days of purchase for replacement or closing for new home construction.

DESCRIPTION

The Air Handler line offers the ultimate in comfort, sound and application flexibility. The air handler is shipped ready to be installed in upflow, horizontal left or right position, with minor adjustments. No special kits are required to install this deluxe product.

All JCI Unitary Products air handlers and coils use a TXV to provide our customers with the optimum performance and refrigerant control. Air handlers are shipped with "Flex-coils" without a factory installed metering device. For added flexibility, an R-22 or R-410A TXV or orifice can be field installed to meet your refrigerant choice.

FEATURES

Thermal Expansion Valve - Provides the ultimate refrigerant control required for today's high efficient product. The UPG bolt-on TXV provides the added flexibility to convert the air handler to the required refrigerant. The UPG TXV is a true bolt-on which does not require brazing to replace or install.

Insulated Cabinet - All air handler cabinets are thermally insulated with 3/4" foil faced insulation to prevent sweating.

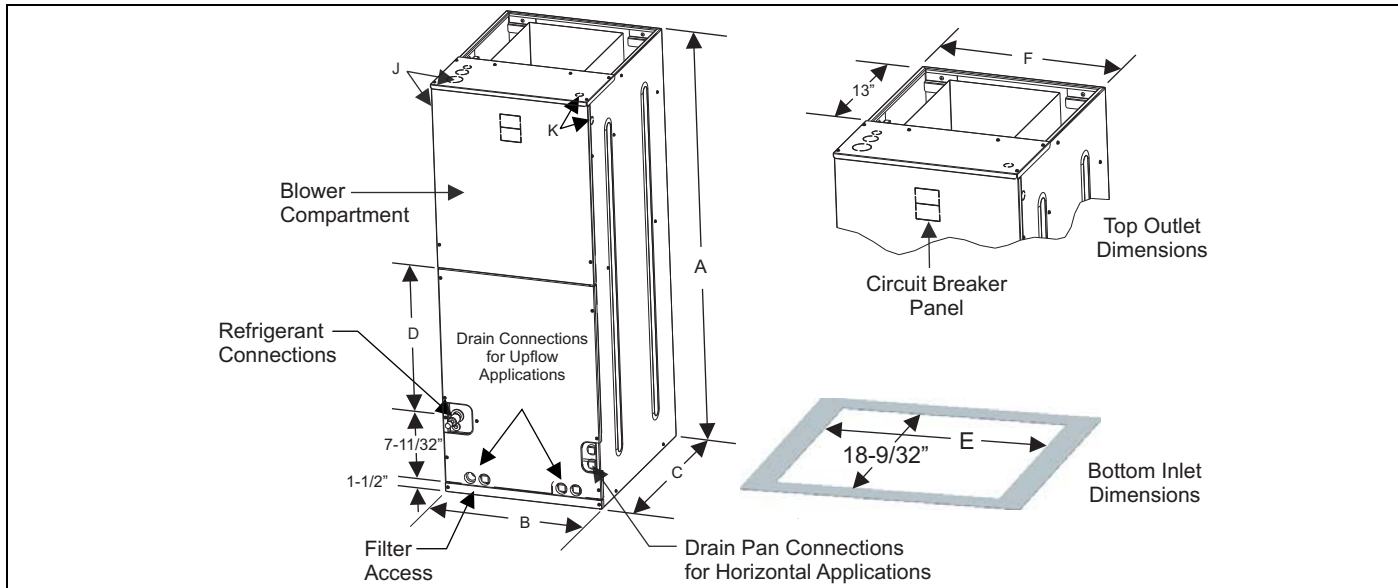
Factory Sealed - Achieves 2% or less total airflow leakage rate at duct blaster field test conditions for system airflow verification.

Durable Finish Inside and Out - Air handler casings are made of pre-painted galvanized steel which provides a better paint to steel bond that resists corrosion and rust creep. All internal coil sheet metal parts are made of G60 galvanized or prepainted G30 galvanized.

Filters - All models have internal filter racks provided for use with 1" thick standard size filters.

Electric Heat Kits - New 6HK series of field installed electric heat kits are available for installation friendly and easy service applications. These 6HK kits are unique to these new models.

DIMENSIONS & DUCT CONNECTION DIMENSIONS

Dimensions¹

Models	Dimensions						Wiring Knockouts ²		Refrigerant Connections Line Size	
	A	B	C	D	E	F	J	K	Liquid	Vapor
	Height	Width	Depth				Power	Control		
RFCX18BP/RFCX24BP/ RFCX30BP/RFCX36BP	46	17 1/2	21 1/2	16 1/2	13-29/32	16 1/2	7/8 (1/2)	7/8 (1/2)	3/8	3/4
RFCX42CP	52	21		21 1/2	17-13/32	20	1-3/8(1)			
RFCX48DP/RFCX60DP	57	24 1/2		26	20-29/32	23-1/2	1-23/32 (1-1/4)			7/8

- All dimensions are in inches.
- Actual size (conduit size).

COIL TECHNICAL DATA

Models	Application	Refrig. Conn. Types	Face Area (Sq. Ft.)	Rows Deep	Fins Per In.	Coil Size	Tube Geometry	Tube Dia.	Fin Type
RFCX18BP	Cooling /Heat Pump	Sweat	3.4	2	14	(2) 14 x 17.5	1 x 0.866	3/8	Enhanced
RFCX24BP	Cooling /Heat Pump	Sweat	3.9	3	12	(2) 16 x 17.5	1 x 0.866	3/8	Enhanced
RFCX30BP	Cooling /Heat Pump	Sweat	3.9	3	12	(2) 16 x 17.5	1 x 0.866	3/8	Enhanced
RFCX36BP	Cooling /Heat Pump	Sweat	4.9	3	12	(2) 20 x 17.5	1 x 0.866	3/8	Enhanced
RFCX42CP	Cooling /Heat Pump	Sweat	5.4	3	12	(2) 22 x 17.5	1 x 0.866	3/8	Enhanced
RFCX48DP	Cooling /Heat Pump	Sweat	5.8	3	11	(2) 24 x 17.5	1 x 0.866	3/8	Enhanced
RFCX60DP	Cooling /Heat Pump	Sweat	6.8	3	12	(2) 28 x 17.5	1 x 0.866	3/8	Enhanced

COOLING CAPACITY¹

Models	Rated CFM ²	Entering Air Dry/Wet Bulb (°F)	MBH@ Evap. Temp. and Corresponding R-410A Pressure (°F/PSIG)			
			35/107.9	40/118.9	45/130.7	50/143.3
FULL-CASED "A" TYPE MULTI-POSITION						
RFCX18BP	665	85/72	40.7	35.6	30.5	24.1
		80/67	35.0	29.5	23.9	18.6
		75/62	27.9	22.7	18.1	12.4
		70/57	22.1	19.8	16.9	14.1
RFCX24BP	740	85/72	47.9	42.4	36.8	29.9
		80/67	40.9	35.2	29.0	22.6
		75/62	33.6	28.0	21.7	15.5
		70/57	26.2	23.0	19.9	16.9
RFCX30BP	1115	85/72	65.8	60.4	50.7	41.5
		80/67	58.0	49.5	39.9	31.2
		75/62	47.1	38.9	30.4	21.1
		70/57	37.1	33.1	28.2	23.9
RFCX36BP	1060	85/72	71.1	62.4	51.5	44.3
		80/67	59.2	51.0	42.0	32.7
		75/62	48.0	39.6	30.8	21.8
		70/57	37.3	32.8	28.3	24.0
	1245	85/72	83.2	66.7	60.1	48.9
		80/67	66.0	59.5	47.8	37.1
		75/62	55.0	45.2	35.5	24.8
		70/57	42.9	38.1	32.6	27.6
RFCX42CP	1230	85/72	68.2	72.9	62.8	51.6
		80/67	66.3	59.7	48.6	38.4
		75/62	56.4	45.4	36.1	25.5
		70/57	43.7	38.3	33.3	28.3
	1485	85/72	69.8	86.0	74.0	59.1
		80/67	68.5	69.5	56.6	44.2
		75/62	65.3	54.1	42.0	29.8
		70/57	51.0	45.4	39.1	32.8
RFCX48DP	1320	85/72	87.5	75.9	64.4	51.7
		80/67	71.2	59.9	49.8	37.2
		75/62	56.5	46.6	35.4	23.3
		70/57	43.5	39.5	34.0	28.4
	1610	85/72	102.3	90.1	76.1	60.5
		80/67	83.7	71.5	57.3	43.6
		75/62	67.0	54.0	41.2	27.0
		70/57	50.9	46.6	39.8	33.4
RFCX60DP	1350	85/72	93.7	82.0	70.0	57.4
		80/67	76.5	65.5	54.1	41.4
		75/62	60.9	50.3	38.4	26.2
		70/57	46.6	41.6	35.5	29.8
	1620	85/72	70.8	96.4	82.4	66.2
		80/67	89.9	76.0	62.8	47.3
		75/62	71.4	58.3	44.8	29.9
		70/57	55.0	48.4	41.9	34.9
	1870	85/72	126.4	110.6	92.8	74.5
		80/67	102.1	86.3	70.0	53.1
		75/62	81.5	65.6	50.0	34.1
		70/57	62.1	55.3	47.1	39.4

1. Actual capacity varies with the outdoor AC or HP that is used with the system.
 2. Airflow is calculated for each system tonnage.

APPLICATION FACTORS - RATED CFM VS. ACTUAL CFM

% Of Rated Airflow (CFM)	80%	90%	100%	110%	120%
Capacity Factor	0.96	0.98	1.00	1.02	1.03

PHYSICAL & ELECTRICAL DATA - COOLING ONLY

Models	RFCX18BP	RFCX24BP	RFCX30BP	RFCX36BP	RFCX42CP	RFCX48DP	RFCX60DP	
Blower - Diameter x Width	10 x 8	10 x 8	10 x 8	10 x 8	10 x 10	10X10	10X10	
Motor	HP	1/4 HP	1/4 HP	3/4 HP	3/4 HP	3/4 HP	3/4 HP	
	Nominal RPM	1075	1075	1075	1075	1075	1075	
Voltage	208/230	208/230	208/230	208/230	208/230	208/230	208/230	
Full Load Amps @230V	1.4	1.4	3.0	3.0	3.0	3.0	3.0	
Filter ¹	Type	DISPOSABLE OR PERMANENT						
	Size	16 x 20 x 1	16 x 20 x 1	16 x 20 x 1	16 x 20 x 1	20 x 20 x 1	22 x 20 x 1	22 x 20 x 1
	Permanent Type Kit	1PF0601BK	1PF0601BK	1PF0601BK	1PF0601BK	1PF0602BK	1PF0603BK	1PF0603BK
Shipping / Operating Weight (lbs.)	112/100	117/102	117/105	122/110	148/133	165/147	168/150	

1. Field Supplied.

KW & MBH CONVERSIONS - FOR TOTAL POWER INPUT REQUIREMENT

For a power distribution voltage that is different than the provided nominal voltage, multiply the kW and MBH data from the table by the conversion factor in the following table.

DISTRIBUTION POWER	NOMINAL VOLTAGE	CONVERSION FACTOR
220V	240V	0.84

ELECTRICAL DATA - COOLING ONLY

Models	Motor FLA¹	Minimum Circuit Ampacity	MOP²	Minimum Wire Size (AWG)³
RFCX18BP / RFCX24BP	1.4	1.8	15	14
RFCX30BP / RFCX36BP / RFCX42CP / RFCX48DP / RFCX60DP	3.0	3.8	15	14

1. FLA = Full Load Amps

2. MOP = Maximum Overcurrent Protection device; must be HACR type circuit breaker or time delay fuse.

3. 75°C, copper wire only. If wire other than non-plated, 75°C ambient, copper wire is used, consult applicable tables of the NEC and local codes..

ELECTRICAL HEAT: MINIMUM FAN SPEED

Heater Kit Models^{1,2}	Nom. kW @240V	Air Handler Models						
		RFCX18BP	RFCX24BP	RFCX30BP	RFCX36BP	RFCX42CP	RFCX48DP	RFCX60DP
6HK(0,1)6500206	2.4kW	Low	Low	Low	Low	Low	Low	Low
6HK(0,1)6500506	4.8kW	Med	Low	Low	Low	Low	Low	Low
6HK(0,1)6500806	7.7kW	Med	Med	Med	Med	Med	Low	Low
6HK(0,1)6501006 6HK06501025	9.6kW	Med	High	Med	High	Med	Med	Med
6HK(1,2)6501306	12.5kW	-	High	High	High	High	Med	Med
6HK(1,2)6501506 6HK06501525	14.4kW	-	High	High	High	High	Med	Med
6HK(1,2)6501806 6HK06501825	17.3kW	-	-	-	High	-	Med	Med
6HK(1,2)6502006 6HK16502025	19.2kW	-	-	-	High	-	High	High
6HK(1,2)6502506 6HK16502525	24kW	-	-	-	-	-	-	High

1. (0,1) - 0 = no circuit breaker OR 1 = with circuit breaker.

2. (1,2) - 1 = with circuit breaker, no breaker jumper bar OR 2 = with circuit breaker & breaker jumper bar.

ELECTRIC HEAT PERFORMANCE DATA: 208/230-1-60 & 208/230-3-60

Heater Models ^{1,2}		Nominal kW @240V	Total Heat ³				kW Staging			
			kW		MBH		W1 Only		W1 + W2	
			208V	230V	208V	230V	208V	230V	208V	230V
1PH	6HK(0,1)6500206	2.4	1.8	2.2	6.2	7.5	1.8	2.2	1.8	2.2
	6HK(0,1)6500506	4.8	3.6	4.4	12.3	15.0	3.6	4.4	3.6	4.4
	6HK(0,1)6500806	7.7	5.8	7.1	19.7	24.1	5.8	7.1	5.8	7.1
	6HK(0,1)6501006	9.6	7.2	8.8	24.6	30.1	7.2	8.8	7.2	8.8
	6HK(1,2)6501306	12.5	9.4	11.5	32.0	39.2	3.1	3.8	9.4	11.5
	6HK(1,2)6501506	14.4	10.8	13.2	36.9	45.1	3.6	4.4	10.8	13.2
	6HK(1,2)6501806	17.3	13.0	15.9	44.3	54.2	6.5	7.9	13.0	15.9
	6HK(1,2)6502006	19.2	14.4	17.6	49.2	60.2	7.2	8.8	14.4	17.6
6HK(1,2)6502506	24.0	18.0	22.0	61.5	75.2	7.2	8.8	18.0	22.0	
3PH	6HK06501025	9.6	7.2	8.8	24.6	30.1	7.2	8.8	7.2	8.8
	6HK06501525	14.4	10.8	13.2	36.9	45.1	10.8	13.2	10.8	13.2
	6HK06501825	17.3	13.0	15.9	44.3	54.2	13.0	15.9	13.0	15.9
	6HK16502025	19.2	14.4	17.6	49.2	60.2	7.2	8.8	14.4	17.6
	6HK16502525	24.0	18.0	22.0	61.5	75.2	9.0	11.0	18.0	22.0

- (0,1) - 0 = no circuit breaker OR 1 = with circuit breaker.
- (1,2) - 1 = with circuit breaker, no breaker jumper bar OR 2 = with circuit breaker & breaker jumper bar.
- For different power distributions, see conversion table on Page 4.

ELECTRICAL DATA FOR SINGLE SOURCE POWER SUPPLY: 208/230-1-60

Air Handler Models	Heater Models ^{1,2}	Heater Amps @240V	Field Wiring					
			Min. Circuit Ampacity		MOP. ³		Min Wire Size (AWG) ⁴	
			208V	230V	208V	230V	208V	230V
RFCX18BP	6HK(0,1)6500206	10.0	12.6	14.3	15	15	12	12
	6HK(0,1)6500506	20.0	23.4	26.8	25	30	10	10
	6HK(0,1)6500806	32.0	36.4	41.8	40	45	8	8
	6HK(0,1)6501006	40.0	45.1	51.8	50	60	8	6
RFCX24BP	6HK(0,1)6500206	10.0	12.6	14.3	15	15	12	12
	6HK(0,1)6500506	20.0	23.4	26.8	25	30	10	10
	6HK(0,1)6500806	32.0	36.4	41.8	40	45	8	8
	6HK(0,1)6501006	40.0	45.1	51.8	50	60	8	6
	6HK(1,2)6501306	52.0	58.1	66.8	60	70	6	4
	6HK(1,2)6501506	60.0	66.8	76.8	70	80	4	4
RFCX30BP RFCX42CP	6HK(0,1)6500206	10.0	14.6	16.3	15	20	12	12
	6HK(0,1)6500506	20.0	25.4	28.8	30	30	10	10
	6HK(0,1)6500806	32.0	38.4	43.8	40	45	8	8
	6HK(0,1)6501006	40.0	47.1	53.8	50	60	6	6
	6HK(1,2)6501306	52.0	60.1	68.8	70	70	6	4
	6HK(1,2)6501506	60.0	68.8	78.8	70	80	4	4
RFCX38BP RFCX48DP	6HK(0,1)6500206	10.0	14.6	16.3	15	20	12	12
	6HK(0,1)6500506	20.0	25.4	28.8	30	30	10	10
	6HK(0,1)6500806	32.0	38.4	43.8	40	45	8	8
	6HK(0,1)6501006	40.0	47.1	53.8	50	60	8	6
	6HK(1,2)6501306	52.0	60.1	68.8	70	70	6	4
	6HK(1,2)6501506	60.0	68.8	78.8	70	80	4	4
	6HK(1,2)6501806	72.0	81.8	93.8	90	100	4	3
	6HK(1,2)6502006	80.0	90.4	103.8	100	110	3	2

Continuation on Page 6.

ELECTRICAL DATA FOR SINGLE SOURCE POWER SUPPLY: 208/230-1-60 (Continued)

Air Handler Models	Heater Models ^{1,2}	Heater Amps @240V	Field Wiring						
			Min. Circuit Ampacity			MOP. ³		Min Wire Size (AWG) ⁴	
			208V	230V	208V	230V	208V	230V	
RFCX60DP	6HK(0,1)6500206	10.0	14.6	16.3	15	20	12	12	
	6HK(0,1)6500506	20.0	25.4	28.8	30	30	10	10	
	6HK(0,1)6500806	32.0	38.4	43.8	40	45	8	8	
	6HK(0,1)6501006	40.0	47.1	53.8	50	60	8	6	
	6HK(1,2)6501306	52.0	60.1	68.8	70	70	6	4	
	6HK(1,2)6501506	60.0	68.8	78.8	70	80	4	4	
	6HK(1,2)6501806	72.0	81.8	93.8	90	100	4	3	
	6HK(1,2)6502006	80.0	90.4	103.8	100	110	3	2	
6HK(1,2)6502506	100.0	112.1	128.8	125	150	2	1		

- (0,1) - maybe 0 (no circuit breaker) or 1 (with circuit breaker).
- (1,2) maybe 1 (with circuit breaker, no breaker jumper bar) or 2 (with circuit breaker & breaker jumper bar).
- MOP = Maximum Overcurrent Protection device; must be HACR type circuit breaker or time delay fuse.
- Stated sizes are for 75°C, copper wire only. If wire other than non-plated, 75°C ambient, copper wire is used, consult applicable tables of the NEC and local codes.

ELECTRICAL DATA FOR MULTI-SOURCE POWER SUPPLY: 208/230-1-60

Air Handlers Models	Heater Models	Total Heater Amps @240V	Min. Circuit Ampacity						MOP ¹						Min. Wire Size (AWG) ²														
			208V			230V			208V			230V			208V			230V											
			Circuit									Circuit									Circuit								
			1st ³	2nd	3rd	1st ³	2nd	3rd	1st ³	2nd	3rd	1st ³	2nd	3rd	1st ³	2nd	3rd	1st ³	2nd	3rd	1st ³	2nd	3rd						
RFCX24BP	6HK16501306	52.0	20.6	37.6	-	23.4	43.3	-	25	40	-	25	45	-	10	8	-	10	8	-									
	6HK16501506	60.0	23.5	43.3	-	26.8	50.0	-	25	45	-	30	50	-	10	8	-	10	8	-									
RFCX30BP	6HK16501306	52.0	22.6	37.6	-	25.4	43.3	-	25	40	-	30	45	-	10	8	-	10	8	-									
RFCX42CP	6HK16501506	60.0	25.5	43.3	-	28.8	50.0	-	30	45	-	30	50	-	10	8	-	10	8	-									
RFCX36BP RFCX48DP	6HK16501306	52.0	22.6	37.6	-	25.4	43.3	-	25	40	-	30	45	-	10	8	-	10	8	-									
	6HK16501506	60.0	25.5	43.3	-	28.8	50.0	-	30	45	-	30	50	-	10	8	-	10	8	-									
	6HK16501806	72.0	42.8	39.0	-	48.8	45.0	-	45	40	-	50	45	-	8	8	-	8	8	-									
RFCX60DP	6HK16502006	80.0	47.1	43.3	-	53.8	50.0	-	50	45	-	60	50	-	8	8	-	6	8	-									
	6HK16501306	52.0	22.6	37.6	-	25.4	43.3	-	25	40	-	30	45	-	10	8	-	10	8	-									
	6HK16501506	60.0	25.5	43.3	-	28.8	50.0	-	30	45	-	30	50	-	10	8	-	10	8	-									
	6HK16501806	72.0	42.8	39.0	-	48.8	45.0	-	45	40	-	50	45	-	8	8	-	8	8	-									
	6HK16502006	80.0	47.1	43.3	-	53.8	50.0	-	50	45	-	60	50	-	8	8	-	6	8	-									
	6HK16502506	100	47.1	43.3	21.7	53.8	50.0	25.0	50	45	25	60	50	25	6	6	10	6	8	10									

- MOP = Maximum Overcurrent Protection device; must be HACR type circuit breaker or time delay fuse.
- Stated sizes are for 75°C, copper wire only. If wire other than non-plated, 75°C ambient, copper wire is used, consult applicable tables of the NEC and local codes.
- 1st Circuit includes the blower motor amps.

ELECTRICAL DATA FOR SINGLE SOURCE POWER SUPPLY - 208/230-3-60

Air Handler Models	Heater Models	Heater Amps @ 240V	Field Wiring					
			Min. Circuit Ampacity		MOP ¹		Min. Wire Size (AWG) ²	
			208V	230V	208V	230V	208V	230V
RFCX18BP	6HK06501025	23.1	26.8	30.7	30	35	10	10
RFCX24BP	6HK06501025	23.1	26.8	30.7	30	35	10	10
	6HK06501525	34.6	39.2	45.0	40	45	8	8
RFCX30BP RFCX42CP	6HK06501025	23.1	28.8	32.7	30	35	10	8
	6HK06501525	34.6	41.2	47.0	45	50	8	8
RFCX36BP RFCX48DP	6HK06501025	23.1	28.8	32.7	30	35	10	8
	6HK06501525	34.6	41.2	47.0	45	50	8	8
	6HK06501825	41.6	48.8	55.8	50	60	8	6
	6HK16502025 ³	46.2	53.8	61.5	60	70	6	6
RFCX60DP	6HK06501025	23.1	28.8	32.7	30	35	10	8
	6HK06501525	34.6	41.2	47.0	45	50	8	8
	6HK06501825	41.6	48.8	55.8	50	60	8	6
	6HK16502025 ³	46.2	53.8	61.5	60	70	6	6
	6HK16502525 ³	57.7	66.3	75.9	70	80	4	4

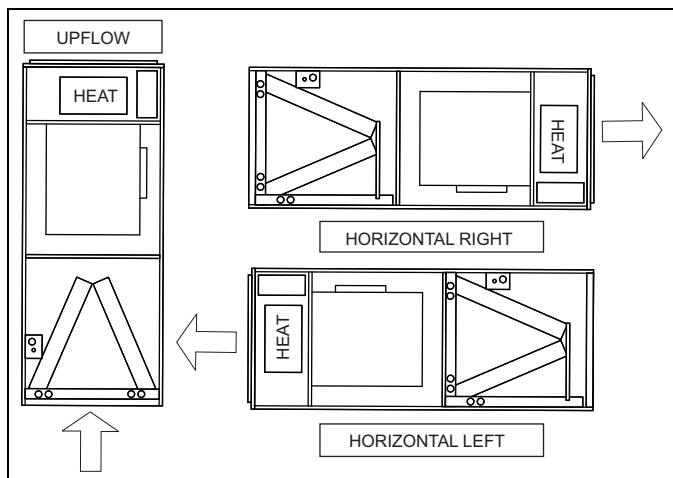
1. MOP = Maximum Overcurrent Protection device; must be HACR type circuit breaker or time delay fuse.
2. Stated sizes are for 75°C, copper wire only. If wire other than non-plated, 75°C ambient, copper wire is used, consult applicable tables of the NEC and local codes.
3. The 20kW and 25kW heater models (6HK16502025 and 6HK16502525) come with circuit breakers standard. Single source power MCA and MOP requirements are given here only for reference if used with field installed single point power modification.

ELECTRICAL DATA FOR MULTI-SOURCE POWER SUPPLY: 208/230-3-60

Air Handler Models	Heater Models	Total Heater Amps @ 240V	Min. Circuit Ampacity				MOP ¹				Min. Wire Size (AWG) ²			
			208V		230V		208V		230V		208V		230V	
			Circuit				Circuit				Circuit			
			1st ³	2nd	1st ³	2nd	1st ³	2nd	1st ³	2nd	1st ³	2nd	1st ³	2nd
RFCX36BP RFCX48DP	6HK16502025	46.2	28.8	25.0	32.6	28.9	30	25	35	30	10	10	8	10
RFCX60DP	6HK16502025	46.2	28.8	25.0	32.6	28.9	30	25	35	30	10	10	8	10
	6HK16502525	57.7	35.0	31.3	39.8	36.1	35	35	40	40	8	8	8	8

1. MOP = Maximum Overcurrent Protection device; must be HACR type circuit breaker or time delay fuse.
2. Stated sizes are for 75°C, copper wire only. If wire other than non-plated, 75°C ambient, copper wire is used, consult applicable tables of the NEC and local codes.
3. 1st Circuit includes the blower motor amps.

TYPICAL APPLICATIONS



ACCESSORIES

Refer to Price Manual for specific model numbers.

TXV Kits - TXV kits are available for "Flex-coil" applications and converting R22 to R410A or as a service replacement. All kits are bolt-on and require no brazing to install.

Electric Heaters - 6HK models shown under electrical data include sequential operation and temperature dual limit switches for safe, efficient operation. Circuit breakers are provided where shown.

LIMITATIONS

These units must be wired and installed in accordance with all national and local safety codes.

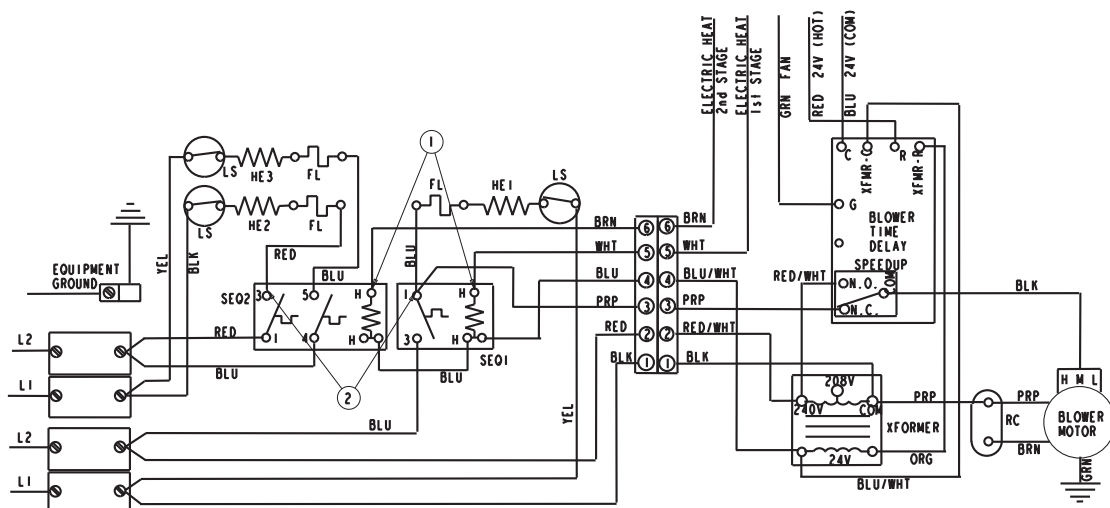
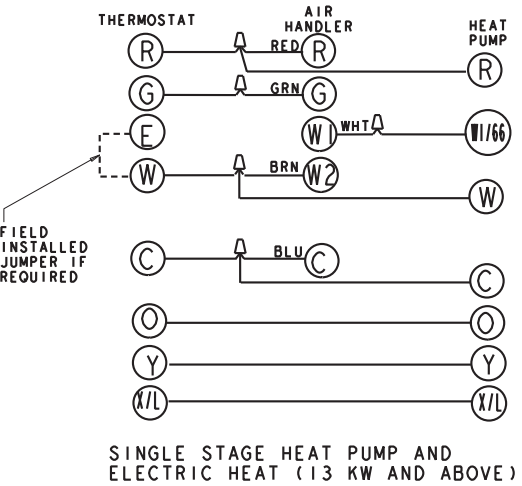
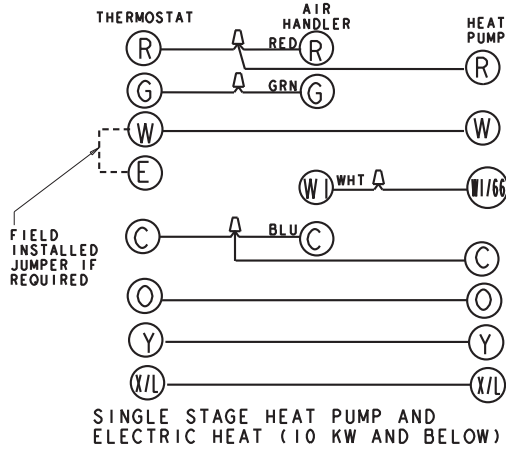
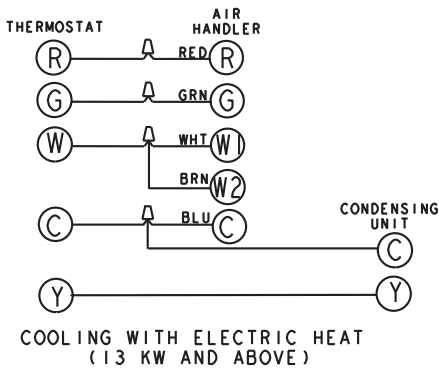
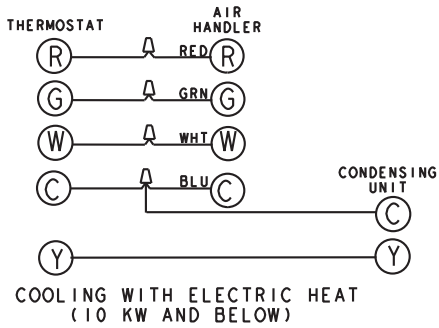
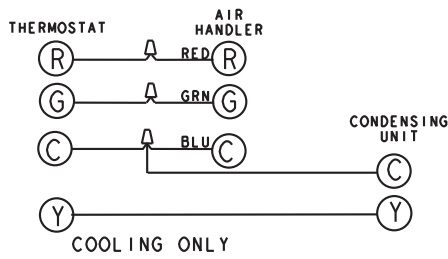
Voltage limits are as follows:

Air Handler Voltage	Voltage code	Normal Operating Voltage Range ¹
208/230-1-60	06	187-253

1. Rated in accordance with ARI Standard 110, utilization range "A".

Airflow must be within the minimum and maximum limits approved for electric heat, evaporator coils and outdoor units.

TYPICAL THERMOSTAT CONNECTIONS



TO CHANGE THE QUANTITY OF HEAT DURING HEAT PUMP DEFROST CYCLE ① REVERSE THE BROWN AND WHITE WIRE CONNECTIONS ON THE SEQUENCERS IN THE HEATER KIT. ② THE PURPLE WIRE MUST BE MOVED FROM #1 ON SEQUENCER 1 TO #3 ON SEQUENCER 2

AIR FLOW DATA (CFM)¹

Models	Blower Motor Speed	External Static Pressure (in. wc.)						
		0.10	0.20	0.30	0.40	0.50	0.60	0.70
208 Volt								
RFCX18BP08MP21	High	1024	1000	970	930	860	810	NA
	Medium	756	731	700	670	620	550	NA
	Low	557	531	495	445	375	315	195
RFCX24BP08MP21	High	995	970	935	900	925	795	645
	Medium	820	810	780	745	695	545	485
	Low	715	695	640	405	370	375	220
RFCX30BP10MP21	High	1380	1315	1245	1160	1075	990	885
	Medium	1060	1040	1005	955	890	860	820
	Low	1035	980	910	825	770	685	485
RFCX36BP12MP21	High	1410	1335	1270	1190	1110	990	820
	Medium	1215	1170	1115	1050	935	850	740
	Low	950	935	895	855	NA	NA	NA
RFCX42CP14MP21	High	1800	1725	1645	1545	1360	1200	1050
	Medium	1535	1480	1415	1280	1155	1010	870
	Low	1225	1195	1095	1025	925	825	680
RFCX48DP16MP21	High	1890	1830	1755	1650	1565	1450	1285
	Medium	1515	1480	1450	1380	1295	1115	985
	Low	1170	1165	1140	1100	965	860	745
RFCX60DP20MP21	High	1911	1841	1757	1668	1564	1439	1233
	Medium	1556	1507	1450	1388	1266	1246	989
	Low	1211	1181	1151	1062	992	911	827
230 Volt								
RFCX18BP08MP21	High	1145	1100	1055	1005	930	845	725
	Medium	755	750	725	665	605	485	435
	Low	680	655	625	585	540	395	300
RFCX24BP08MP21	High	1305	1285	1225	1175	920	915	835
	Medium	930	920	890	845	705	760	505
	Low	735	730	700	670	545	470	NA
RFCX30BP10MP21	High	1450	1380	1300	1215	1130	1030	910
	Medium	1330	1280	1205	1135	1050	975	780
	Low	1160	1120	1065	1005	930	825	635
RFCX36BP12MP21	High	1470	1390	1325	1245	1155	1045	880
	Medium	1325	1265	1205	1125	1025	965	840
	Low	1115	1075	1025	950	NA	NA	NA
RFCX42CP14MP21	High	1750	1670	1570	1477	1260	1125	935
	Medium	1590	1520	1435	1277	1150	1010	870
	Low	1330	1280	1200	1083	980	850	NA
RFCX48DP16MP21	High	2005	1940	1850	1755	1650	1530	1405
	Medium	1705	1665	1605	1510	1425	1340	1185
	Low	1355	1330	1300	1245	1170	990	980
RFCX60DP20MP21	High	2034	1955	1858	1753	1640	1522	1296
	Medium	1733	1672	1609	1527	1431	1272	1220
	Low	1388	1359	1313	1255	1133	1004	912

1. Air handler units have been tested to UL 1995 / CSA 22.2 standards up to 0.30" wc. external static pressure.

Dry coil conditions only, tested without filters.

For optimal performance, external static pressures of 0.2" to 0.5" are recommended. Applications above 0.6" are not recommended.

Airflow data shown is from testing performed at 230V. AHE units use a X13 motor, and there is minimal variation of airflow at other distribution voltage values. The above data can be used for airflow at other distribution voltages.

NOTES