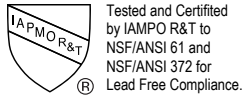




UPBA485B 1/2"-3"



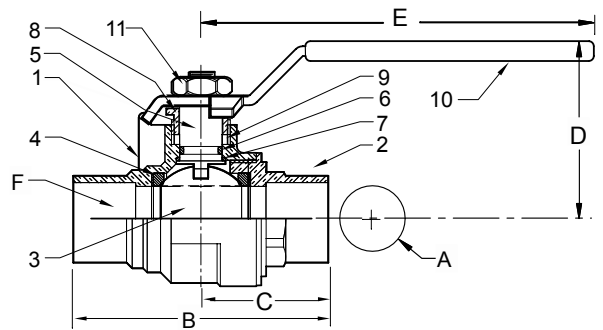
Brass Ball Valve For Potable Water
Two Piece
Full Port
600 psig WOG (1/2" - 2") 400 psig WOG (2 1/2" - 3")
Solder Ends

Blow-Out Proof Stem
Dimensions and Workmanship Conform to MSS SP-110

Also Available UPBA485B-LL

MATERIALS LIST

ITEM	PART	MATERIALS	ASTM SPEC.
1	Body	Brass, Forged	B283 C27450
2	Tailpiece	Brass, Forged	B283 C27450
		Brass	B283 C27450
3	Ball	Brass w/Chrome Plating	B283 C27450
4	Ball Seat	PTFE	Commercial
5	Stem	Brass	B283 C27450
6	O-Ring	Buna-N	D2006
7	Thrust Washer	PTFE	Commercial
8	Gland Nut	Brass	B16 C3600
9	Packing	PTFE	Commercial
10	Handle	Zinc Plated Steel	Commercial
11	Handle Nut	Zinc Plated Steel	Commercial



DIMENSIONS

	UNITS	1/2"	3/4"	1"	1-1/4"	1-1/2"	2"	2-1/2"	3"
	A	INCHES	0.50	0.76	1.00	1.26	1.50	2.00	2.48
	mm	13	19	25	32	38	51	63	75
B	INCHES	2.28	3.10	3.56	4.13	4.64	5.75	7.25	8.25
	mm	58	79	90	105	118	146	131	152
C	INCHES	1.14	1.55	1.78	2.06	2.32	2.87	3.62	4.12
	mm	29	39	45	52	59	73	92	105
D	INCHES	1.46	1.93	2.10	2.33	2.52	2.96	3.94	4.37
	mm	37	49	53	59	64	75	100	111
E	INCHES	3.14	4.35	4.53	5.00	5.00	6.90	7.87	7.87
	mm	80	110	110	127	127	175	200	200
F	TUBE SIZE	0.63	0.88	1.13	1.38	1.63	2.13	2.63	3.13
	Cv	18	40	72	112	161	287	307	323

Note: Lead free refers to the wetted surface of the pipe, fittings and fixtures in potable water systems that have a weighted average lead content $\leq 0.25\%$. Source: California Health and Safety Code (116875).

The information presented on this sheet is correct at the time of publication. Milwaukee Valve reserves the right to change design, and/or material specifications without notice. For the Installation, Operation and Maintenance Manual (IOM) see the Technical/Service Information section on our website. For the most current information access www.milwaukeevalve.com

