



Samsung FJM Series, Wall Mounted Evaporator

Job Name _____
 Purchaser _____
 Submitted to _____
 Unit Designation _____

Location _____
 Engineer _____
 Reference _____ Approval _____ Construction _____
 Schedule # _____

**Specifications**

Performance	Nominal Capacity	Cooling (Btu/h)	22,000
		Heating (Btu/h)	25,500
	Condensate	Pints/Hour	6.5
Power	Voltage (øV/Hz)		1 / 208-230 / 60
	Nominal Running Current (A)		0.4
Fan	Type		Crossflow (1)
	Motor	Type	BLDC (1)
		FLA / Output	0.12A / 27 W
Airflow	CFM (UL)	L/M/H	425 / 495 / 635
Refrigerant	Type		R410A
	Control Method		Electronic Expansion Valve (at outdoor unit)
Piping Connections	Liquid (flare)	Inches	1/4
	Suction (flare)	Inches	5/8
	Drain	Inches	ID 11/16" hose
Unit Dimensions	W X H X D	Inches	41 7/8 X 11 9/16 X 12 1/2
	Weight	lbs.	31.1
Sound Level	L / H	dB	25 / 43
Accessories	Condensate Pump		ASP-MO-UNIV 110-250
	Wired Remote Controller	Premium ¹	AR-WRP
		Standard ²	AR-WRS02
	Line sets - insulated and flared, interconnect cables included		25' - ILS2509
50' - ILS5009			
Safety Certifications		ETL & ETLc	

- High-voltage terminal block temperature sensor to disable unit in the event overheating of power connection.
- Triangle design to provide optimal airflow in and out of the unit.
- Refrigerant pipes, drain pipe, high voltage, and low voltage shall be accessible from the bottom of the unit to provide simplified installation and service.
- Refrigerant and drain pipe direction can be applied to exit the right, left, bottom, or back sides of the indoor unit.
- The drain outlet hose can connect to the left (standard) or right side of the drain pan to provide flexibility during installation.
- The indoor unit shall be powered by the outdoor unit.

Construction

HIPS chassis certified to UL94 V0 with galvanized steel mounting bracket

Heat Exchanger

The heat exchanger shall be mechanically bonded fin to copper tube

Indoor Fan

Indoor fan is a single, antibacterial, crossflow type

Three fan speed settings and auto setting

Motorized vertical-swing (up/down) louver

Controls

Control signal shall be a DDC type signal

Interconnect control wire between outdoor and indoor shall be 16AWG X 2 shielded

The indoor unit shall ship with a wireless controller as standard.

Optional wired controller options available

Controls shall integrate with a BMS system

The system shall integrate with the Samsung Controls Solution.

Compatibility

Will only operate with Samsung outdoor unit model numbers: AJ036JCJ5CH/AA.

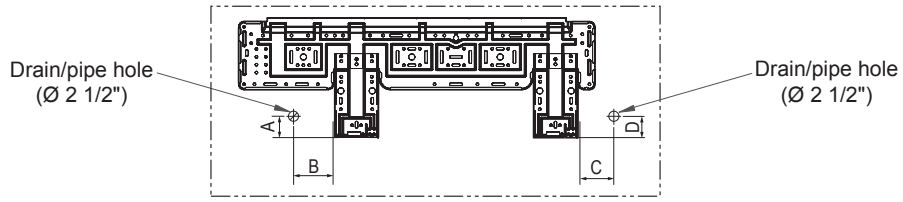
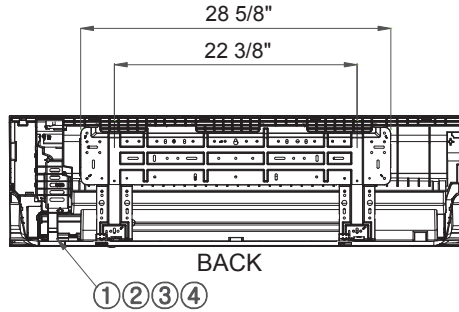
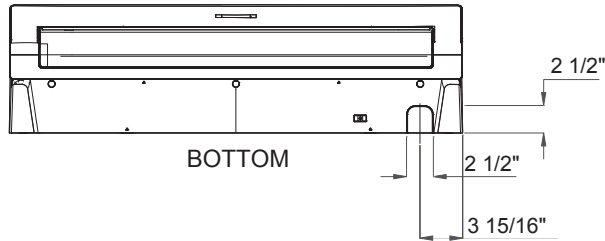
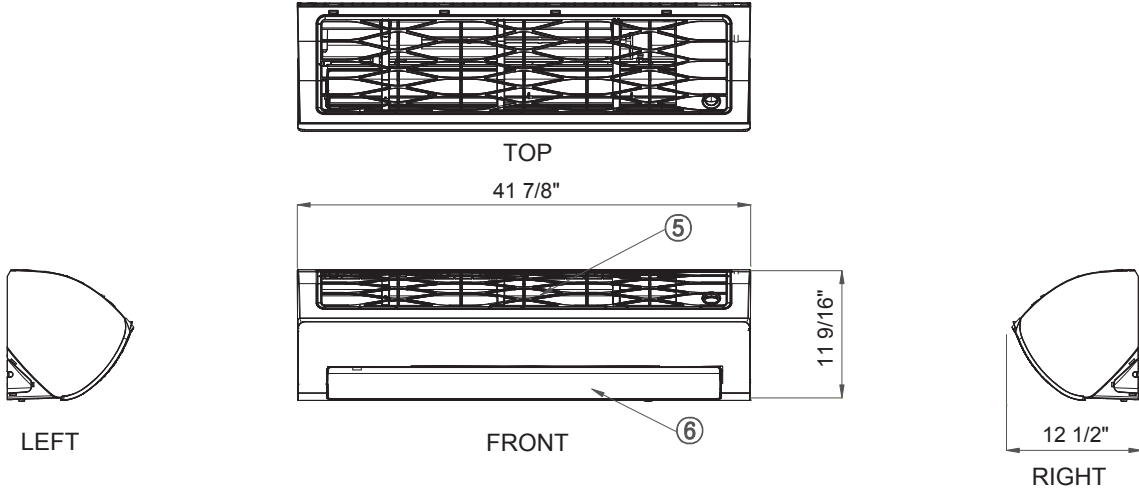
¹ AQN-WRP includes MWR-WE10 wired controller with scheduling, sub-PCB (DB93-11412A), and sub-PCB harness (DB93-11405A).

² AQN-WRS02 includes MWR-WH02 wired controller, sub-PCB (DB93-11412A), and sub-PCB harness (DB93-11405A).

Nominal cooling capacities are based on: Indoor temperature: 80 F DB, 67 F WB. Outdoor temperature: 95 F DB, 75 F WB.

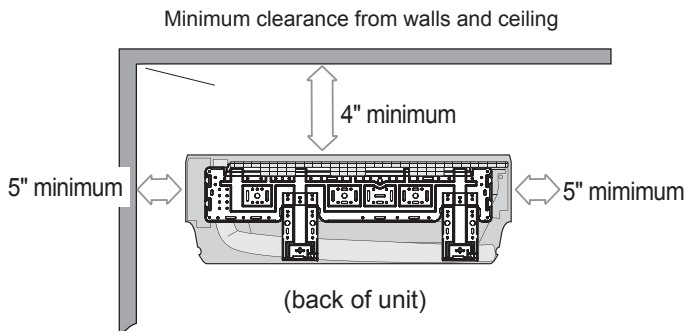
Nominal heating capacities are based on: Indoor temperature: 70 F DB, 60 F WB. Outdoor temperature: 47 F DB, 43 F WB.

Samsung and Quietside maintains a policy of ongoing development, specifications are subject to change without notice.



MOUNTING PLATE

A	B	C	D
1 5/16"	4 5/16"	4 5/16"	1 5/16"



No.	Name	Description
①	Liquid Pipe Connection	Ø 1/4" Flare
②	Gas Pipe Connection	Ø 5/8" Flare
③	Drain Pipe Connection	ID 11/16" Hose
④	Conduit for Power & Communication Wiring	-
⑤	Air Inlet Grille	-
⑥	Air Outlet Louver	-

For reference only. Always refer to installation manual for complete details.