

# SA Parker Sporlan SEE-ALL

## Moisture liquid line sight glass



**Parker Sporlan SEE-ALL** moisture and liquid indicator combines two functions of moisture and liquid indicator into a single economical product.

It takes the guess work out of servicing refrigeration and air conditioning equipment.

The indicator is a porous filter paper impregnated with a chemical salt that is sensitive to moisture.

The plated steel and copper fittings are copper to the heavily copper plated steel body. A glass disc is inserted in the body and heated just to the melting point under carefully controlled conditions.

The indicator is inserted from the back and held in place with a slotted cylinder.

**See-All** sight glasses with 1/4" through 1-1/8" ODF Solder connections are constructed with long fittings made from either heavily copper plated steel or copper.

However we recommend to protect the glass by calorie discharger **TB2 Thermal Block™** or to wrap it with a damp cloth. The indicator can be easily removed and replaced if necessary.

**SEE-ALL moisture indicators with their large bezels and very sensible sensors help the users to check cleanness and dryness of systems and prevent failure of compressors.**

### Benefits

<b>Max Working Pressure</b>	<b>44.8 bar (650 psig)</b>
Temperature Range	-40°C up to +66°C

● **Coating:** Polyester coating giving protection to 500 hours salt spray

● **Approvals:** UL file no. SA 3182  
PED 97/23/EC - article 3.3

For all requests, consult your nearest Parker Sporlan Wholesaler or contact us on:  
racecustomerservice@parker.com / www.parker.com/race



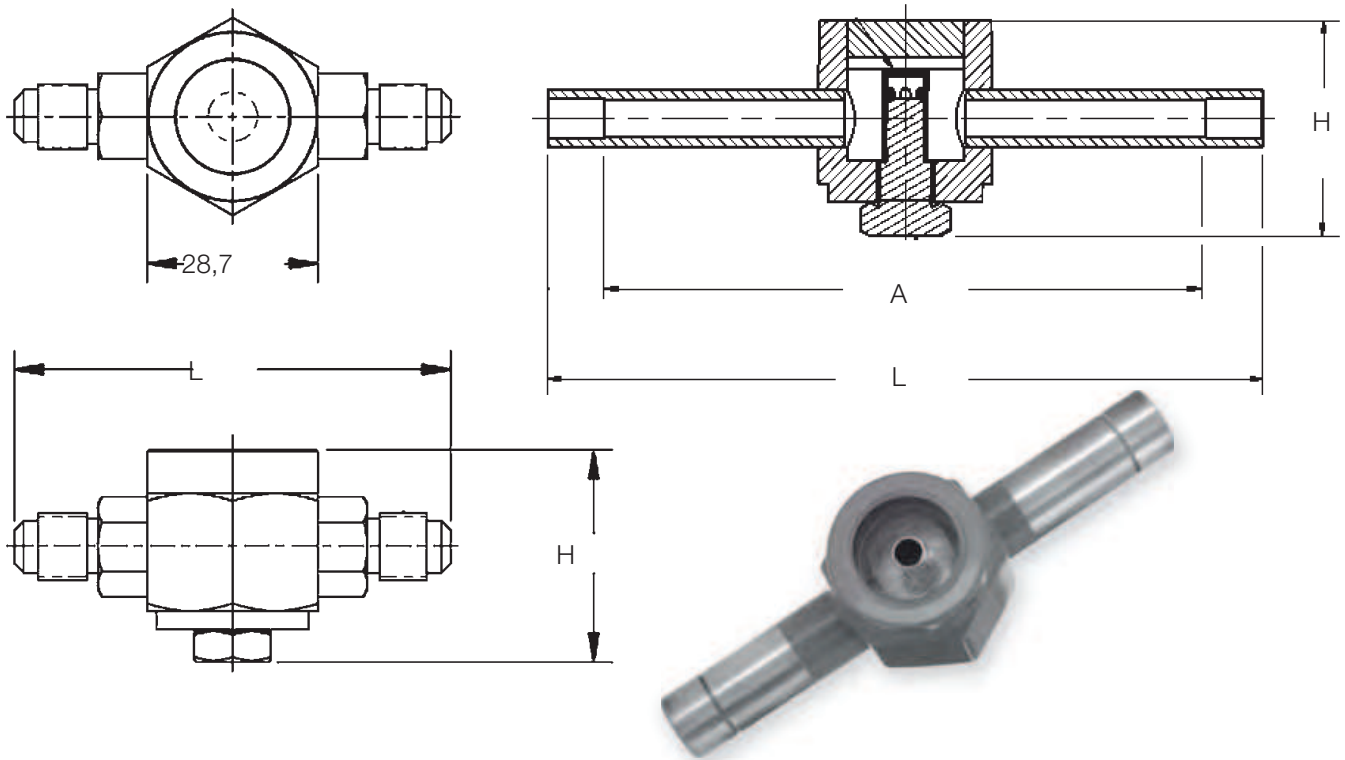
# Technical Data

Part Number	Type	Connections		Dimensions (mm)			Weight Kg
		SAE	ODF	L	A	H	
700000	SA-12	1/4"		72.9		34.9	0.20
700078	SA-13	3/8"		85.6		34.9	0.20
700247	SA-14	1/2"		97.0		41.3	0.28
700403	SA-15	5/8"		104.6		41.3	0.28
700026	SA-12FM	1/4"		65.0		34.9	0.20
700091	SA-13FM	3/8"		75.4		34.9	0.20
700260	SA-14FM	1/2"		87.4		41.3	0.28
700195	SA-13U	3/8"		80.0		34.9	0.20
700364	SA-14U	1/2"		93.5		41.3	0.28
700468	SA-15U	5/8"		99.1		41.3	0.28
700052	SA-12S		1/4"	117.6	98.8	34.9	0.20
700130	SA-13S		3/8"	117.8	95.2	34.9	0.20
700299	SA-14S		1/2"	124.0	97.3	41.3	0.28
700416	SA-15S		5/8"	124.0	92.5	41.3	0.28
700507	SA-17S		7/8"	160.5	124.8	53.7	0.68
700546	SA-19S		1-1/8"	160.5	116.7	53.7	0.68
700585	SA-211		1-3/8"	203.2	153.9	68.2	0.68
700598	SA-213		1-5/8"	203.2	147.8	76.5	0.68
700611	SA-217		2-1/8"	203.2	139.7	89.5	0.68

FM = SAE Female/Male

U = Male Flare X Swivel Nut

S = ODF (Inch)



Accurate at the time of going to print.

For all requests, consult your nearest Parker Sporlan Wholesaler or contact us on:  
[racecustomerservice@parker.com](mailto:racecustomerservice@parker.com) / [www.parker.com/race](http://www.parker.com/race)