



www.Source1Parts.com

**CM SERIES
MULTI-POSITION COIL W/HORIZONTAL PAN
ALUM FLEX COIL MODELS (STYLE A)**

HVAC SERVICE PARTS

Supersedes: 035-24198-001 Rev. B (0915)

035-24198-001 Rev. C (1115)

1 of 4

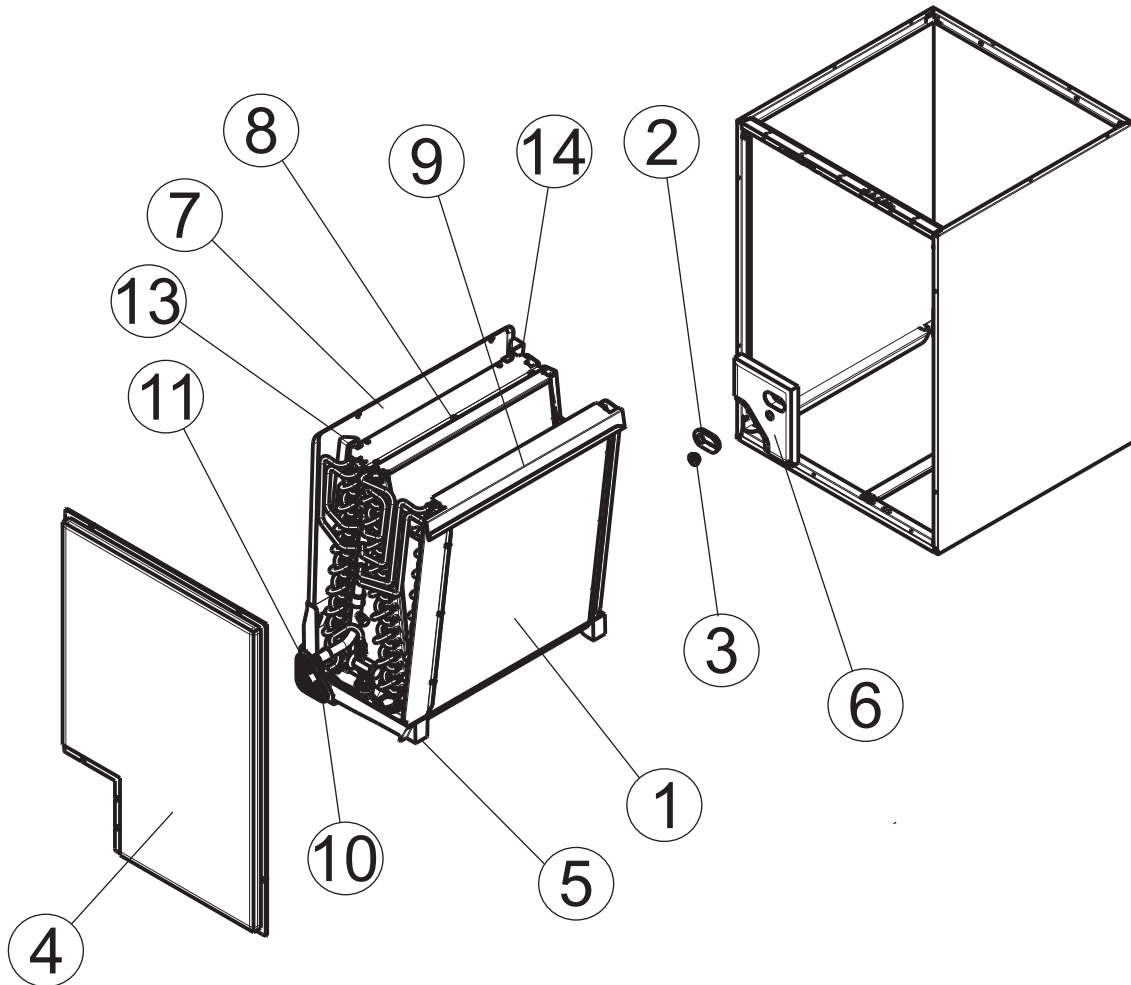


Figure 1 : MULT-POSITION COIL W/HORIZONTAL PAN - ALUM FLEX COIL

ITEM	DESCRIPTION	CM18AXA1A	CM18BXA1A	CM24AXA1A	CM24BXA1A
1	Coil w/Drain Pan	S1-37339405005	S1-37339405006	S1-37339405007	S1-37339405008
2	Gasket, Oval	S1-02817078000	S1-02817078000	S1-02817077000	S1-02817077000
3	Grommet, Liquid Line	S1-02813209000	S1-02813209000	S1-02813209000	S1-02813209000
4	Assy, Lower Access Panel	S1-37339402001	S1-37339402004	S1-37339402001	S1-37339402004
5	Pan, Drain	S1-02817090000	S1-02817091000	S1-02817090000	S1-02817091000
6	Panel, Tubing Access	S1-37339403001	S1-37339403001	S1-37339403001	S1-37339403001
7	Drain Pan, Horizontal	S1-37339404001	S1-37339404001	S1-37339404002	S1-37339404001
8	Assy, Coil Baffle	S1-37339407002	S1-37339407003	S1-37339407002	S1-37339407003
9	Shield, Blow-off, RH	S1-07339408001	S1-07339408001	S1-07339408001	S1-07339408001
10	Plug, Drain Pan (2 Req'd)	S1-02812480000	S1-02812480000	S1-02812480000	S1-02812480000
11	Gasket, Drain Pan	S1-02817104000	S1-02817104000	S1-02817104000	S1-02817104000
12*	Assy, Liquid Line	S1-02322469000	S1-02322464000	S1-02322469000	S1-02322464000
13	Channel, Condensate, Front	S1-02817102000	S1-02817102000	S1-02817102000	S1-02817102000
14	Channel, Condensate, Rear	S1-02817103000	S1-02817103000	S1-02817103000	S1-02817103000

NOTE: *Not Shown

New replacement parts shown in **bold** face type at the first printing of parts list dated 11/15

Major components and suggested stocking items are shown with shaded item number.

"<" Across from row indicates a change in that row.

--- Not applicable to specified model.



ITEM	DESCRIPTION	CM24CXA1A	CM30AXA1A	CM30BXA1A	CM30CXA1A
1	Coil w/Drain Pan	S1-37339405009	S1-37339405013	S1-37339405014	S1-37339405015
2	Gasket, Oval	S1-02817077000	S1-02817077000	S1-02817077000	S1-02817077000
3	Grommet, Liquid Line	S1-02813209000	S1-02813209000	S1-02813209000	S1-02813209000
4	Assy, Lower Access Panel	S1-37339402007	S1-37339402002	S1-37339402005	S1-37339402008
5	Pan, Drain	S1-02817092000	S1-02817090000	S1-02817091000	S1-02817092000
6	Panel, Tubing Access	S1-37339403001	S1-37339403001	S1-37339403001	S1-37339403001
7	Drain Pan, Horizontal	S1-37339404002	S1-37339404004	S1-37339404003	S1-37339404003
8	Assy, Coil Baffle	S1-37339407003	S1-37339407001	S1-37339407002	S1-37339407003
9	Shield, Blow-off, RH	S1-07339408001	S1-07339408001	S1-07339408001	S1-07339408001
10	Plug, Drain Pan (2 Req'd)	S1-02812480000	S1-02812480000	S1-02812480000	S1-02812480000
11	Gasket, Drain Pan	S1-02817104000	S1-02817104000	S1-02817104000	S1-02817104000
12*	Assy, Liquid Line	S1-02322469000	S1-02322471000	S1-02322465000	S1-02322470000
13	Channel, Condensate, Front	S1-02817102000	S1-02817102000	S1-02817102000	S1-02817102000
14	Channel, Condensate, Rear	S1-02817103000	S1-02817103000	S1-02817103000	S1-02817103000

ITEM	DESCRIPTION	CM30DXA1A	CM36AXA1A	CM36BXA1A	CM36CXA1A
1	Coil w/Drain Pan	S1-37339405016	S1-37339405017	S1-37339405018	S1-37339405019
2	Gasket, Oval	S1-02817077000	S1-02817077000	S1-02817077000	S1-02817077000
3	Grommet, Liquid Line	S1-02813209000	S1-02813209000	S1-02813209000	S1-02813209000
4	Assy, Lower Access Panel	S1-37339402013	S1-37339402002	S1-37339402006	S1-37339402009
5	Pan, Drain	S1-02817093000	S1-02817090000	S1-02817091000	S1-02817092000
6	Panel, Tubing Access	S1-37339403001	S1-37339403001	S1-37339403001	S1-37339403001
7	Drain Pan, Horizontal	S1-37339404003	S1-37339404005	S1-37339404005	S1-37339404011
8	Assy, Coil Baffle	S1-37339407003	S1-37339407001	S1-37339407002	S1-37339407003
9	Shield, Blow-off, RH	S1-07339408001	S1-07339408001	S1-07339408001	S1-07339408001
10	Plug, Drain Pan (2 Req'd)	S1-02812480000	S1-02812480000	S1-02812480000	S1-02812480000
11	Gasket, Drain Pan	S1-02817104000	S1-02817104000	S1-02817104000	S1-02817104000
12*	Assy, Liquid Line	S1-02322463000	S1-02322471000	S1-02322465000	S1-02322470000
13	Channel, Condensate, Front	S1-02817102000	S1-02817102000	S1-02817102000	S1-02817102000
14	Channel, Condensate, Rear	S1-02817103000	S1-02817103000	S1-02817103000	S1-02817103000

ITEM	DESCRIPTION	CM36DXA1A	CM42CXA1A	CM42DXA1A	CM48CXA1A
1	Coil w/Drain Pan	S1-37339405020	S1-37339405022	S1-37339405023	S1-37339405024
2	Gasket, Oval	S1-02817077000	S1-02817077000	S1-02817077000	S1-02817077000
3	Grommet, Liquid Line	S1-02813209000	S1-02813209000	S1-02813209000	S1-02813209000
4	Assy, Lower Access Panel	S1-37339402013	S1-37339402010	S1-37339402014	S1-37339402011
5	Pan, Drain	S1-02817093000	S1-02817092000	S1-02817093000	S1-02817092000
6	Panel, Tubing Access	S1-37339403001	S1-37339403001	S1-37339403001	S1-37339403001
7	Drain Pan, Horizontal	S1-37339404011	S1-37339404008	S1-37339404008	S1-37339404009
8	Assy, Coil Baffle	S1-37339407003	S1-37339407003	S1-37339407003	S1-37339407002
9	Shield, Blow-off, RH	S1-07339408001	S1-07339408001	S1-07339408001	S1-07339408001
10	Plug, Drain Pan (2 Req'd)	S1-02812480000	S1-02812480000	S1-02812480000	S1-02812480000
11	Gasket, Drain Pan	S1-02817104000	S1-02817104000	S1-02817104000	S1-02817104000
12*	Assy, Liquid Line	S1-02322463000	S1-02322470000	S1-02322463000	S1-02322470000
13	Channel, Condensate, Front	S1-02817102000	S1-02817102000	S1-02817102000	S1-02817102000
14	Channel, Condensate, Rear	S1-02817103000	S1-02817103000	S1-02817103000	S1-02817103000

NOTE: *Not ShownNew replacement parts shown in **bold** face type at the first printing of parts list dated 11/15

Major components and suggested stocking items are shown with shaded item number.

"←" Across from row indicates a change in that row.

--- Not applicable to specified model.



ITEM	DESCRIPTION	CM48DXA1A	CM60XA1A	CM60DXA1A	CM64DXA1A
1	Coil w/Drain Pan	S1-37339405025	S1-37339405001	S1-37339405002	S1-37339405026
2	Gasket, Oval	S1-02817077000	S1-02817077000	S1-02817077000	S1-02817077001
3	Grommet, Liquid Line	S1-02813209000	S1-02813209000	S1-02813209000	S1-02813209000
4	Assy, Lower Access Panel	S1-37339402015	S1-37339402011	S1-37339402015	S1-37339402015
5	Pan, Drain	S1-02817093000	S1-02817092000	S1-02817093000	S1-02817095000
6	Panel, Tubing Access	S1-37339403001	S1-37339403001	S1-37339403001	S1-37339403001
7	Drain Pan, Horizontal	S1-37339404009	S1-37339404010	S1-37339404010	S1-37339404010
8	Assy, Coil Baffle	S1-37339407003	S1-37339407002	S1-37339407002	S1-37339407004
9	Shield, Blow-off, RH	S1-07339408001	S1-07339408001	S1-07339408001	S1-07339408002
10	Plug, Drain Pan (2 Req'd)	S1-02812480000	S1-02812480000	S1-02812480000	S1-02812480000
11	Gasket, Drain Pan	S1-02817104000	S1-02817104000	S1-02817104000	S1-02817104000
12*	Assy, Liquid Line	S1-02322463000	S1-02322470000	S1-02322463000	S1-02322463000
13	Channel, Condensate, Front	S1-02817102000	S1-02817102000	S1-02817102000	S1-02817102000
14	Channel, Condensate, Rear	S1-02817103000	S1-02817103000	S1-02817103000	S1-02817103000

NOTE: *Not Shown
 New replacement parts shown in **bold** face type at the first printing of parts list dated 11/15
 Major components and suggested stocking items are shown with shaded item number.
 "<" Across from row indicates a change in that row.
 --- Not applicable to specified model.



TO ORDER AUTHORIZED FACTORY REPLACEMENT PARTS - Contact your Source1 HVAC Parts Distributor or visit our website at **www.Source1Parts.com** for a Distributor and Dealer listing.

Subject to change without notice. Published in U.S.A.
Copyright © 2015 by Johnson Controls Inc. All rights reserved.

035-24198-001 Rev. C (1115)
Supersedes: 035-24198-001 Rev. B (0915)

York International Corp.
5005 York Drive
Norman, OK 73069