

Job Name/Location:

Tag #:

Date:

For:  File  Resubmit

PO No.:

Approval  Other \_\_\_\_\_

Architect:

GC:

Engr:

Mech:

Rep:

(Company)

(Project Manager)

**LS093HE**  
**Standard Single Zone**  
**Outdoor Unit (ODU)-LSU093HE Indoor Unit (IDU)-LSN093HE**



PQWRHSFO



**Performance:**

**Cooling:**

Capacity (Btu/h)	10,500
SEER	13.0
EER	9.5

SEER - Seasonal Energy Efficiency Ratio EER - Energy Efficiency Ratio

**Heating:**

Capacity (Btu/h)	10,500
HSPF	7.8

HSPF - Heating Seasonal Performance Factor

Cooling Nominal Test Conditions: Indoor: 80°F DB/67°F WB Outdoor: 95°F DB/75°F WB  
 Heating Nominal Test Conditions: Indoor: 70°F DB/60°F WB Outdoor: 47°F DB/43°F WB

**Electrical:**

**Outdoor Unit:**

Power Supply (V/Hz/∅)	115/60/1
MOP (A)	20
MCA (A)	14.3
Cooling Rated Amps (A)	9.5
Heating Rated Amps (A)	9.5
Compressor (A)	10.5
Fan Motor (A)	0.2

MOP - Maximum Overcurrent Protection MCA - Minimum Circuit Ampacity

**Indoor Unit:**

Power Supply	36V DC
Cooling Power Input (kW)	1.1
Heating Power Input (kW)	1.1

**Piping:**

Liquid Line (in, OD)	1/4
Vapor Line (in, OD)	1/2
Additional Refrigerant (oz/ft)	0.22
Max Pipe Length (ft) <sup>2</sup>	49
Piping Length (no add'l refrigerant, ft)	25
Max Elevation (ft)	23

**Features:**

- 4 Fan speeds
- 24-Hour on/off timer
- Auto operation
- Auto restart
- Auto sleep mode
- Built-in low ambient standard, down to 14°F (cooling mode)
- Chaos wind
- Defrost control
- Evaporator frost control
- Fan mode
- Jet cool
- Manual power switch
- Plasma air purifying system
- Temperature display on indoor unit
- Ultra-quiet operation

**Operating Range:**

**Outdoor Unit:**

Cooling (°F DB)	14-115
Heating (°F DB)	34-75

**Indoor Unit:**

Cooling (°F DB)	64-90
Heating (°F DB)	61-86

**Unit Data:**

Refrigerant Type	R410A
Refrigerant Control	Check Valve & Capillary Tube
Refrigerant Charge (lbs)	2.05
ODU Sound Pressure Max (±3 dB(A)) <sup>3</sup>	48
IDU Sound Pressure (H/M/L) (±3 dB(A)) <sup>3</sup>	41/36/34
ODU Net Weight (lbs)	72.8
ODU Shipping Weight (lbs)	73.4
IDU Net Weight (lbs)	20.5
IDU Shipping Weight (lbs)	23.1
Heat Exchanger Coating	GoldFin™
Communication Cable (No x AWG) <sup>4</sup>	4 x 18

**Fan:**

ODU Type	Propeller
IDU Type	Cross Flow
Fan Speeds (Fan/Cooling/Heating)	3/4/3
Quantity (ODU + IDU)	1 + 1
Motor/Drive	Brushless Digitally Controlled/Direct
ODU Max Air Flow Rate (CFM)	847
IDU Max Air Flow H/M/L (CFM)	330/280/230
Dehumidification (pts/hr)	3.0

**Notes:**

1. Acceptable operating voltage: 104V-126V.
2. Piping lengths are equivalent.
3. Sound Pressure levels are tested in an anechoic chamber under ISO Standard 1996.
4. All communication cable to be minimum 18 AWG, 2-conductor, stranded, shielded and must comply with applicable local and national code.
5. See Engineering Manual for sensible and latent capacities.
6. Power wiring cable size must comply with the applicable local and national code.
7. The indoor unit comes with a dry helium charge.
8. This data is rated 0 ft above sea level, with 24.6 ft of refrigerant line and a 0 ft level difference between outdoor and indoor units.
9. Must follow installation instructions in the applicable LG installation manual.



Job Name/Location:

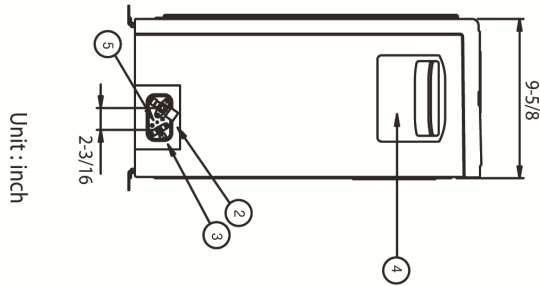
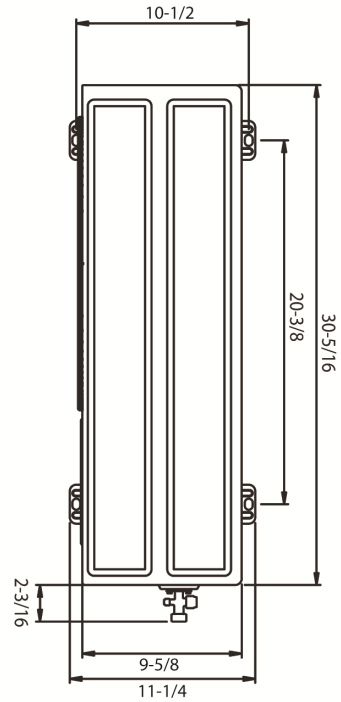
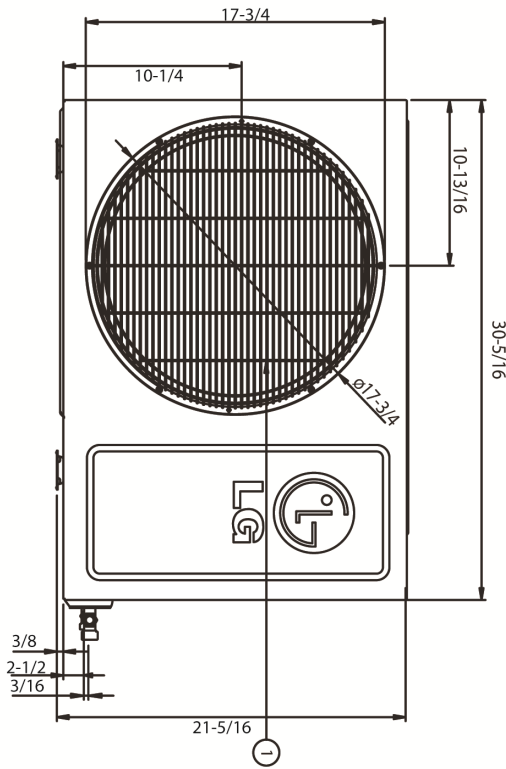
**Outdoor Unit (ODU)-LSU093HE**  
Standard Single Zone



Tag #:

Date:

PO No.:



Unit : inch

Item No	Part name	Remarks
1	Air Discharge Grille	
2	Gas Pipe Connection Port	
3	Liquid Pipe Connection Port	
4	Control Box	
5	Earth Screw	

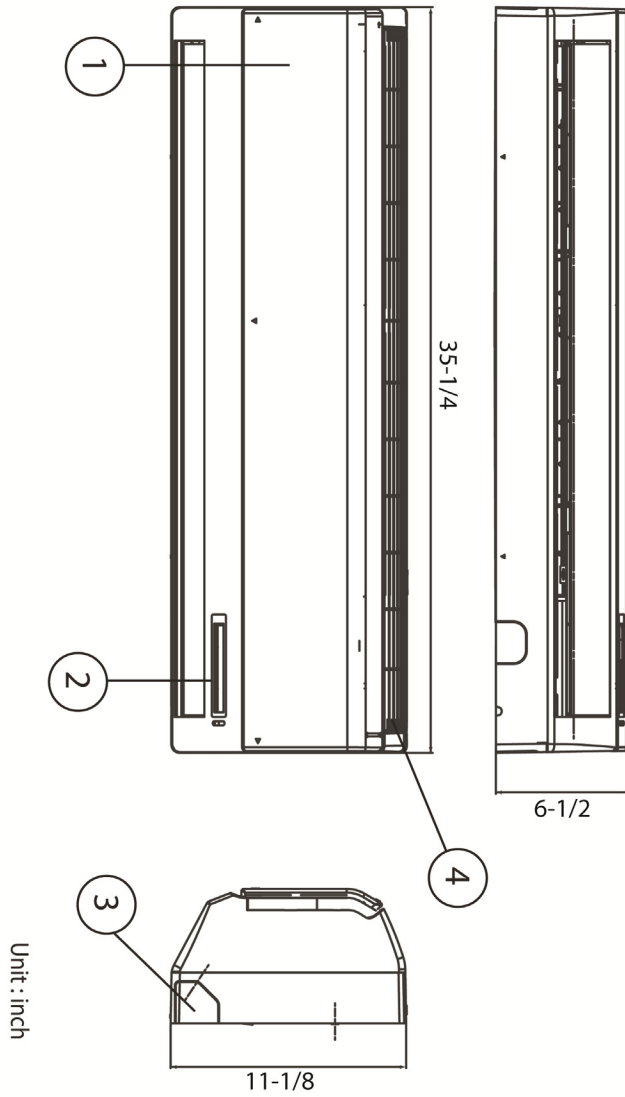
**Indoor Unit (IDU)-LSN093HE**  
Standard Single Zone



Tag #: \_\_\_\_\_

Date: \_\_\_\_\_

PO No.: \_\_\_\_\_



Item No.	Part name	Remarks
1	Front Panel	
2	Display & signal receiver	
3	Knockout hole	
4	Air suction grille	
5		