

# TECHNICAL GUIDE

## LX SERIES

### SPLIT SYSTEM AIR CONDITIONERS

14 SEER – R-407C – 1 PHASE

1.5 THRU 5 NOMINAL TONS

MODELS: GAW14L18 THRU 60

FOR INSTALLATION IN ALL US REGIONS AND CANADA



## DESCRIPTION

The GAW14L models meet the Minimum Efficiencies in all US DOE Regions and are specifically designed to be matched with Johnson Controls Ducted Systems R-407C indoor coils to provide a complete system solution.

## FEATURES

- **Easier Installation** - Independent panels provide quick access for unit setup. Installation time is reduced by easy power and control wiring access. The factory installed filter-drier means less time spent brazing and charging the system. The small base dimension and reduced unit clearances make for easier retrofits.
- **Durable Finish** - The coated steel wire fan guard, coated external fasteners, and pre-treated G90-equivalent galvanized steel chassis components resist corrosion and rust creep. Powdercoat paint further protects external panels.
- **Louvered Coil Protection** - Two stamped steel louvered panels protect the coil from mechanical damage.
- **Quality Coils** - The high efficiency microchannel aluminum coil is manufactured using an improved material system providing reliable performance and small unit size.
- **Protected Compressor** - Compressors are protected internally by a high pressure relief valve and a temperature sensor. The liquid line filter-drier is factory installed to protect the compressor against moisture and debris.
- **R-407C Charge** - Shipped with R-407C charge. R-407C refrigerant must be field sourced and charged.
- **Top Discharge** - Warm air is blown up, away from the structure and any landscaping and allows compact location on multi-unit applications.
- **Agency Listed** - Safety certified by CSA to UL 1995 / CSA 22.2. Performance certified to ANSI/AHRI Standard 210/240 in accordance with the Unitary Small Equipment certification program.

Due to continuous product improvement, specifications are subject to change without notice.

Visit us on the web at

[www.simplygettingthejobdone.com](http://www.simplygettingthejobdone.com)

Additional rating information can be found at

[www.ahridirectory.org](http://www.ahridirectory.org)

### WARRANTY SUMMARY\*

Standard 5-Years limited parts warranty.

Standard 5-Years limited compressor warranty.

\*Does not apply to 3-Phase models or Internet sales.

See Limited Warranty certificate in User's Information Manual for details.

**LIST OF SECTIONS**

**DESCRIPTION** ..... 1  
**FEATURES** ..... 1  
**NOMENCLATURE** ..... 2  
**PHYSICAL AND ELECTRICAL DATA** ..... 3  
**DIMENSIONS** ..... 3  
**SYSTEM CHARGE FOR VARIOUS MATCHED SYSTEMS** ..... 4  
**COOLING CAPACITY - Upflow, Downflow & Horizontal Furnaces and Coils (Coil Only Ratings)** ..... 4  
**APPLICATIONS AND ACCESSORIES** ..... 5  
**SOUND POWER RATINGS** ..... 5  
**TYPICAL INSTALLATION** ..... 6  
**TYPICAL FIELD WIRING** ..... 7  
**ALTERNATIVE INSTALLATION CLEARANCES** ..... 7  
**PERFORMANCE DATA - 1.5 TON** ..... 8  
**PERFORMANCE DATA - 2 TON** ..... 9  
**PERFORMANCE DATA - 2.5 TON** ..... 10  
**PERFORMANCE DATA - 3 TON** ..... 11  
**PERFORMANCE DATA - 3.5 TON** ..... 12  
**PERFORMANCE DATA - 4 TON** ..... 13  
**PERFORMANCE DATA - 5 TON** ..... 14

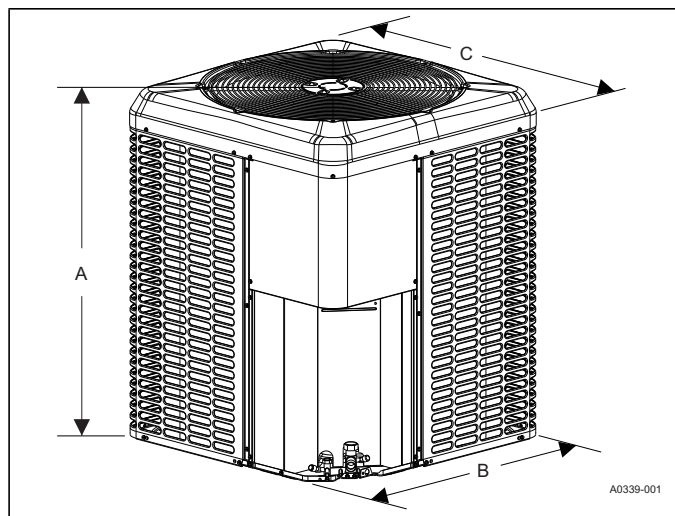
**NOMENCLATURE**

<b>BRAND</b>	<b>G</b>	<b>G</b> = OTC Factory Branded
<b>PRODUCT TYPE</b>	<b>AW</b>	<b>AW</b> = Southwest Region Air Conditioner
<b>NOMINAL SERIES EFFICIENCY AND STAGING</b>	<b>14</b>	<b>14</b> = 14 SEER / 1-Stage (US Southeast or Southwest Region)
<b>CABINET AND CONNECTION TYPE</b>	<b>L</b>	<b>L</b> = New Chassis Louvered / Sweat Connect
<b>NOMINAL UNIT CAPACITY (MBH)</b>	<b>36</b>	<b>18</b> = 1.5 Ton <b>42</b> = 3.5 Ton <b>24</b> = 2 Ton <b>48</b> = 4 Ton <b>30</b> = 2.5 Ton <b>60</b> = 5 Ton <b>36</b> = 3 Ton
<b>REFRIGERANT</b>	<b>C</b>	<b>C</b> = R-407C
<b>VOLTAGE (Voltage-Phase-Hertz)</b>	<b>2</b>	<b>2</b> = 208/230-1-60
<b>GENERATION (MAJOR REVISION)</b>	<b>1</b>	<b>1</b> = 1st Gen <b>2</b> = 2nd Gen <b>etc</b>
<b>FACTORY OPTION</b>	<b>S</b>	<b>S</b> = Standard (No Options)
<b>STYLE LETTER (MINOR REVISION) NOT USED FOR ORDERING</b>	<b>A</b>	<b>A</b> = Style A <b>B</b> = Style B <b>etc</b>

## PHYSICAL AND ELECTRICAL DATA

MODEL		GAW14L18 C23S	GAW14L24 C23S	GAW14L30 C23S	GAW14L36 C23S	GAW14L42 C23S	GAW14L48 C23S	GAW14L60 C23S
Unit Supply Voltage		208-230V, 1 $\phi$ , 60Hz						
Normal Voltage Range <sup>1</sup>		187 to 252						
Minimum Circuit Ampacity		11.2	14.2	17.6	18.9	22.1	26.1	28.5
Max. Overcurrent Device Amps <sup>2</sup>		15	25	30	30	35	45	50
Min. Overcurrent Device Amps <sup>3</sup>		15	15	20	20	25	30	30
Compressor Amps	Type <sup>4</sup>	Scroll	Scroll	Scroll	Scroll	Scroll	Scroll	Scroll
	Rated Load	8.3	10.8	13.4	14.1	16.6	19.8	21.8
	Locked Rotor	40.3	56.0	68.0	75.0	88.0	104.0	137.0
Crankcase Heater		No	No	No	No	No	No	No
Factory External Discharge Muffler		No	No	No	No	No	No	No
Factory External Check Valve		No	No	No	No	No	No	No
HS Kit Required with TXV		No	No	No	No	No	No	No
HS Kit Part Number (S1-2SA067*****) <sup>5</sup>		10106	10106	10106	10106	10106	10106	10106
Fan Diameter Inches		22	22	22	24	24	26	26
Fan Motor	Rated HP	1/8	1/8	1/8	1/4	1/4	1/4	1/4
	Rated Load Amps	0.80	0.80	0.80	1.3	1.3	1.3	1.3
	Nominal RPM	1075	1075	1075	850	850	850	850
	Nominal CFM	3000	3000	3100	3500	3500	3800	3900
Coil	Face Area Sq. Ft.	15.22	15.22	19.11	20.57	20.57	25.65	30.11
	Rows Deep	1	1	1	1	1	1	1
	Fins / Inch	23	23	23	23	23	23	23
Liquid Line Set OD (Field Installed)		3/8	3/8	3/8	3/8	3/8	3/8	3/8
Vapor Line Set OD (Field Installed) <sup>6</sup>		3/4	3/4	3/4	3/4	7/8	7/8	1-1/8 <sup>‡</sup>
Unit Charge (Lbs. - Oz.)		1 - 0	1 - 0	1 - 0	1 - 0	1 - 0	1 - 0	1 - 0
Charge Per Foot, Oz.		.63	.63	.63	.63	.65	.65	.70
Operating Weight Lbs.		135	135	150	195	195	200	210

1. Rated in accordance with AHRI Standard 110-2012, utilization range "A".
2. Dual element fuses or HACR circuit breaker. Maximum allowable overcurrent protection.
3. Dual element fuses or HACR circuit breaker. Minimum recommended overcurrent protection.
4. GAW models feature compressors containing POE oil.
5. Use S1-2SA067\*\*\*\* series kit. See Hard Start Kit Accessory Installation Manual.
6. For applications with non-standard vapor line sizes, see the "Applications & Accessories" section of this Technical Guide.



## DIMENSIONS

Unit Model	Dimensions (Inches)			Refrigerant Connection Service Valve Size	
	A	B	C	Liquid	Vapor
GAW14L18C23S	30	29-1/4	29-1/4	3/8	3/4
GAW14L24C23S	30	29-1/4	29-1/4		
GAW14L30C23S	36-1/4	29-1/4	29-1/4		
GAW14L36C23S	33-1/4	35-1/4	31-3/4		7/8
GAW14L42C23S	33-1/4	35-1/4	31-3/4		
GAW14L48C23S	39-1/2	38	34-1/4		
GAW14L60C23S	42-3/4	38	34-1/4	7/8 <sup>‡</sup>	

‡ Adapter fitting must be field installed for the required 1-1/8" line set.  
 All dimensions are in inches and are subject to change without notice.  
 Overall height is from bottom of base pan to top of fan guard.  
 Overall length and width include screw heads.

**SYSTEM CHARGE FOR VARIOUS MATCHED SYSTEMS**

Outdoor Unit	GAW14L18C23S	GAW14L24C23S	GAW14L30C23S	GAW14L36C23S	GAW14L42C23S	GAW14L48C23S	GAW14L60C23S
Required TXV <sup>1,2</sup>	2A1	2A1	2A1	2A1	2C1	2C1	2C1
Indoor Unit <sup>3,4,5</sup>	Starting Charge, lb-oz						
FC1CXT1	1- 12	-	-	-	-	-	-
FC3DXT1	-	2 - 2	2 - 8	2 - 8	2 - 0	-	-
FC5DXT1	-	-	-	-	-	3 - 5	3 - 12

Some of the combinations shown in the above System Charge table require Advanced Main Air Circulating Fan indoor product. For approved coil only matches, please see the "COOLING CAPACITY - Upflow, Downflow & Horizontal Furnaces and Coils" table.

**FOOTNOTES:**

- For applications requiring a TXV, use S1-1TVM\*\*\* series kit.
- A TXV kit must be used with these indoor units to obtain system performance.
- Systems matched with furnaces or air handlers not equipped with blower-off delays may require 60 second time delay.
- FC coils cannot be used in horizontal applications.
- Charge adders shown above do not indicate that coils are rated for every application. Refer to Performance Data Tables for actual performance for specified system matches. Obtain certified system ratings from [www.ahridirectory.org](http://www.ahridirectory.org).

**PROCEDURES:**

- Verify the TXV and additional charge required for specific matched indoor unit in the system using the above table.
- Charge per the instructions in the Installation Manual.

**COOLING CAPACITY - Upflow, Downflow & Horizontal Furnaces and Coils (Coil Only Ratings)**

UNIT MODEL	COIL		CFM RANGE (MIN.-MAX.)	COOLING			SEER <sup>1</sup>	EER
	MODEL	WIDTH		RATED CFM	NET MBH			
					TOTAL	SENS.		
GAW14L18C23S	FC1CXT1	21.0	450 - 750	600	17.6	12.1	14.00	12.20
GAW14L24C23S	FC3DXT1	24.5	600 - 100	800	23.4	18.1	14.00	12.20
GAW14L30C23S	FC3DXT1	24.5	800 - 1200	1000	29.0	20.6	14.00	12.20
GAW14L36C23S	FC3DXT1	24.5	1000 - 1400	1200	34.2	25.7	14.00	12.20
GAW14L42C23S	FC3DXT1	24.5	1200 - 1600	1400	40.0	30.5	14.00	12.20
GAW14L48C23S	FC5DXT1	24.5	1400 - 1800	1600	47.0	33.4	14.00	11.75
GAW14L60C23S	FC5DXT1	24.5	1800 - 2200	1900	54.0	40.3	14.00	11.75

Rated in accordance with DOE test procedures (Federal Register 12-27-79 and 3-18-88) and ANSI/AHRI Standard 210/240.

Cooling MBH based on 80°F entering air temperature, 50% RH (Relative Humidity), and rated air flow.

EER (Energy Efficiency Ratio) is the total cooling output in BTUs at 95°F outdoor ambient divided by the total electric power in watt-hours at those conditions.

SEER (Seasonal Energy Efficiency Ratio) is the total cooling output in BTUs during a normal annual usage period for cooling divided by the total electric power input in watt-hours during the same period.

- Requires a S1-2FD06700224 Blower Time Delay unless a standard furnace is equipped with one.  
MP Modular Air Handlers use Coil Only Ratings.  
PSC furnaces, such as the RGF1L\*P and RGF19\*P, use Coil Only Ratings.

## APPLICATIONS AND ACCESSORIES

Refer to Price Manual for specific model numbers.

Standard Application Limits*		
Maximum Lineset Equivalent Length	80 Ft	
Outdoor Ambient Temperature Limits		
Cooling Operation	Maximum DB	125°F
	Minimum DB	55°F

\* For applications such as Low Ambient, reduced linesets, and/or long linesets, see the accessories listed below.

**Non-Standard Lineset Applications** - For installations with reduced diameter or long linesets, refer to the current version of the Piping Application Guide P/N 247077, available in the Application Bulletins section on [www.simplygettingthejobdone.com](http://www.simplygettingthejobdone.com).

**OD Unit Anti Short Cycle Kit (10 Pack) S1-2TD08700124BK:** A time delay that prevents rapid compressor restarting as a result of power interruption, limit switch operation, or thermostat resetting. Not required for HP models, or for AC models with factory electronic controls.

**High Ambient Outdoor Fan Motor S1-FHM\*\*\*\*HT:** Class F 70°C motor to allow cooling operation up to 160°F air entering the outdoor coil.

**Start Assist Kit S1-2SA067\*\*\*\*:** Provides increased compressor starting torque for areas with low supply voltage. Required for units with recip compressors when applied with indoor TXV, and for all units when applied with long linesets or low ambient kits. May be factory installed on select AC & HP units (see Physical & Electrical Table). See Price Pages or Source1 SmartSearch for the correct kit for each application.

**Compressor Crankcase Heater Kit (S1-025-\*\*\*\*-\*\*\*\*):** A wrap-around electrical resistance heater that warms the compressor sump, reducing the chance of liquid slugging on startup. Required on all long lineset and low ambient applications. See Price Pages or Source1 SmartSearch for the correct part for each application.

**Support Feet S1-HPRKIT\*\*:** Kit of 5 support feet to raise unit above snow or landscaping. Available in heights of 3", 6" or 12".

**Anchor Bracket Kit S1-1HK0401:** Firmly anchors unit to pad or support structure. When properly installed, approved for ground-mounted or roof-mounted applications.

**Indoor TXV Kit S1-1TVM\*\*\*:** Thermal expansion valves precisely meter refrigerant for optimum performance over a wide range of conditions. See System Charge Table, Price Pages, or Source1 Smart Search for TXV part number for each AC & HP model.

**Wall Mount Kit (S1-ACB\*\*):** Includes two brackets to allow outdoor unit to be securely mounted to a vertical wall. Mounting hardware is field sourced according to the specific application.

**Winter Cover Kit S1-CCVRE\*\*\*\*:** Custom fit winter cover protects outdoor unit from debris during the off-season. Must be removed prior to unit operation. See Price Pages or Source1 SmartSearch for the correct cover for each application.

**Cold Weather Charging Tent S1-CHGTENT01:** Provides warm environment to accurately service AC & HP systems in ambient conditions 55°F (13°C) or colder.

**Touch-up Paint S1-5130153\*\*\*\*:** Color matched aerosol paint for touching up unit chassis and panels. See Price Pages or Source1 SmartSearch for the correct color for each application.

**Compressor Sound Blanket S1-010-07xxx-000:** A field installed dense foam cover that provides 2dBA sound level reduction. See Price Pages or Source1 SmartSearch for the correct blanket for each application.

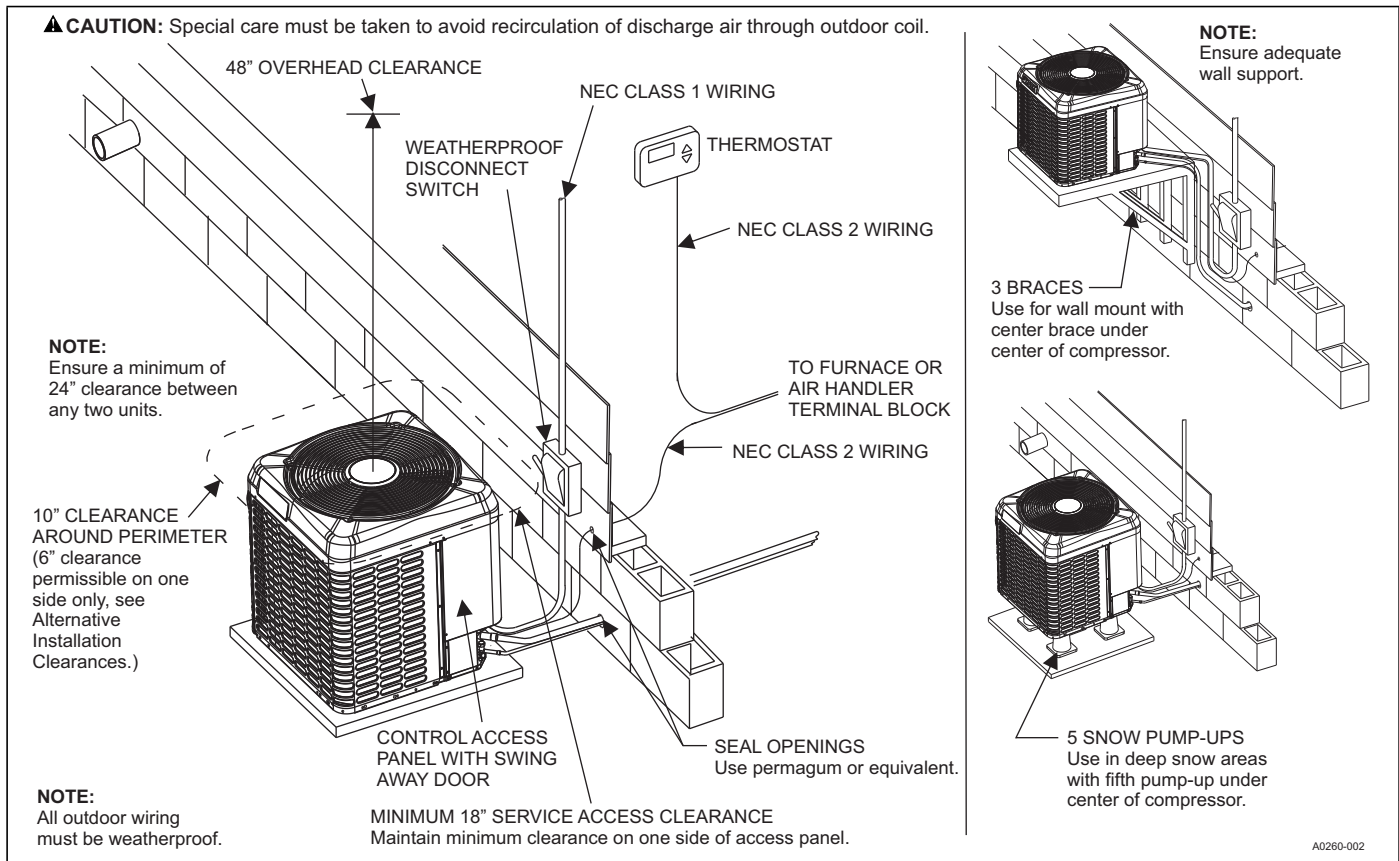
**Thermostat:** Compatible thermostat controls are available through accessory sourcing. For optimum performance, these outdoor units are fully compatible with our residential Hx™ Touchscreen Thermostats available through Source1. For more information, see the thermostat section of the Product Equipment Catalog.

## SOUND POWER RATINGS

Cooling Model Number	Octave Band Sound Power Level (db re. 1-pW)								dBA	SQI
	63	125	250	500	1000	2000	4000	8000		
GAW14L18C23S	70.3	70.9	67.9	70.3	68.1	64.2	58.6	55.0	72	19.1
GAW14L24C23S	69.5	70.2	71.0	72.2	67.5	66.3	59.9	57.5	74	19.1
GAW14L30C23S	70.0	70.8	68.8	70.4	69.2	66.1	61.3	59.9	74	19.1
GAW14L36C23S	67.8	75.0	72.2	69.9	67.6	62.7	57.9	56.9	72	19.1
GAW14L42C23S	68.4	71.5	69.9	71.3	69.6	65.3	59.9	58.8	74	19.1
GAW14L48C23S	72.6	74.3	70.7	73.5	71.1	66.7	63.7	61.8	76	19.1
GAW14L60C23S	70.4	75.9	70.2	73.5	69.8	68.1	63.4	60.6	75	19.1

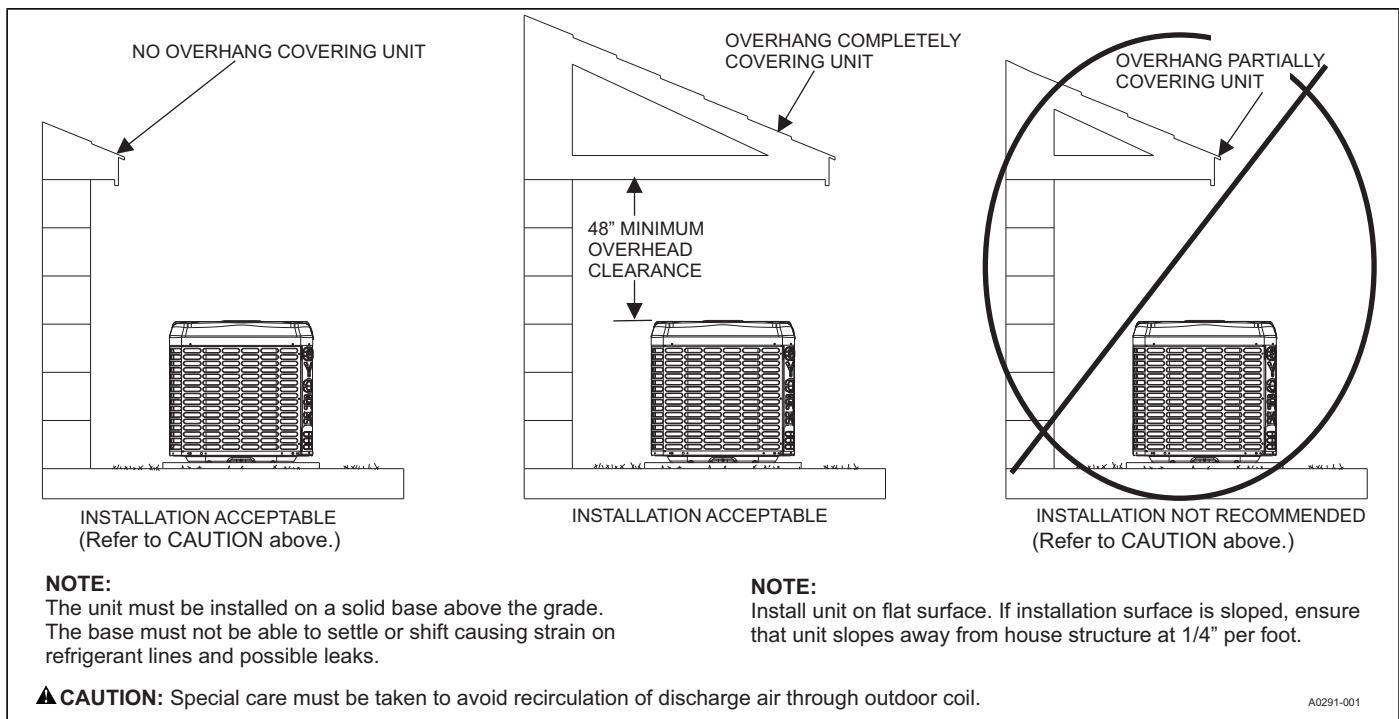
Rated in accordance with ARI Standard 270.

**TYPICAL INSTALLATION**

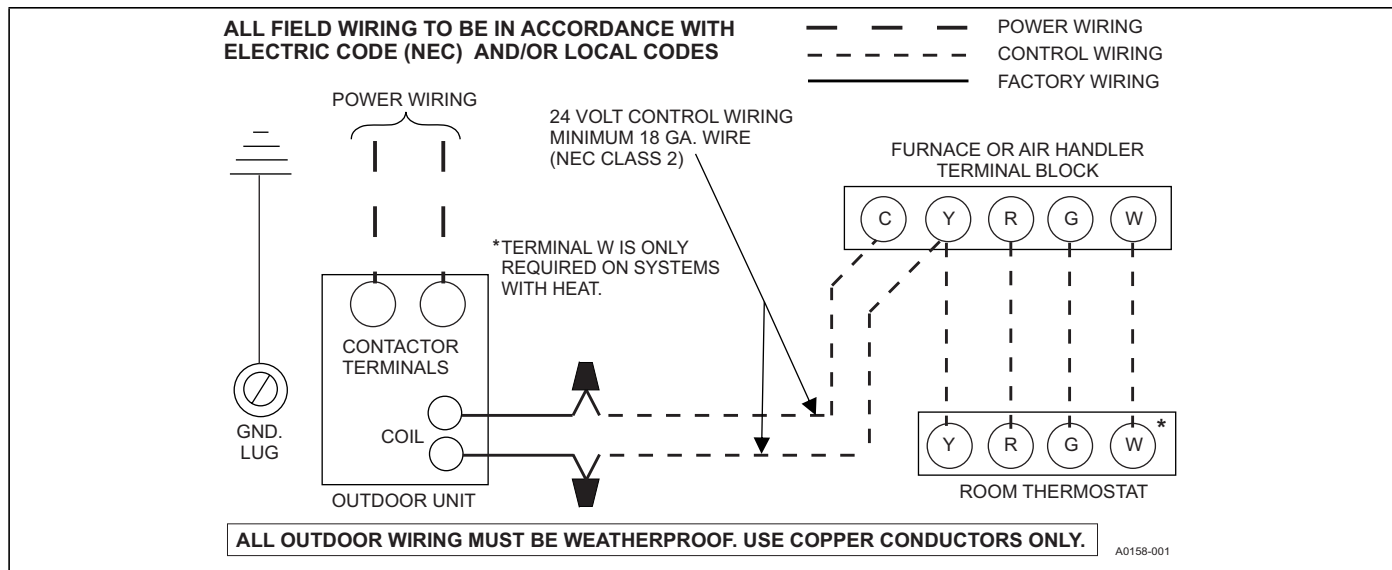


**▲ CAUTION**

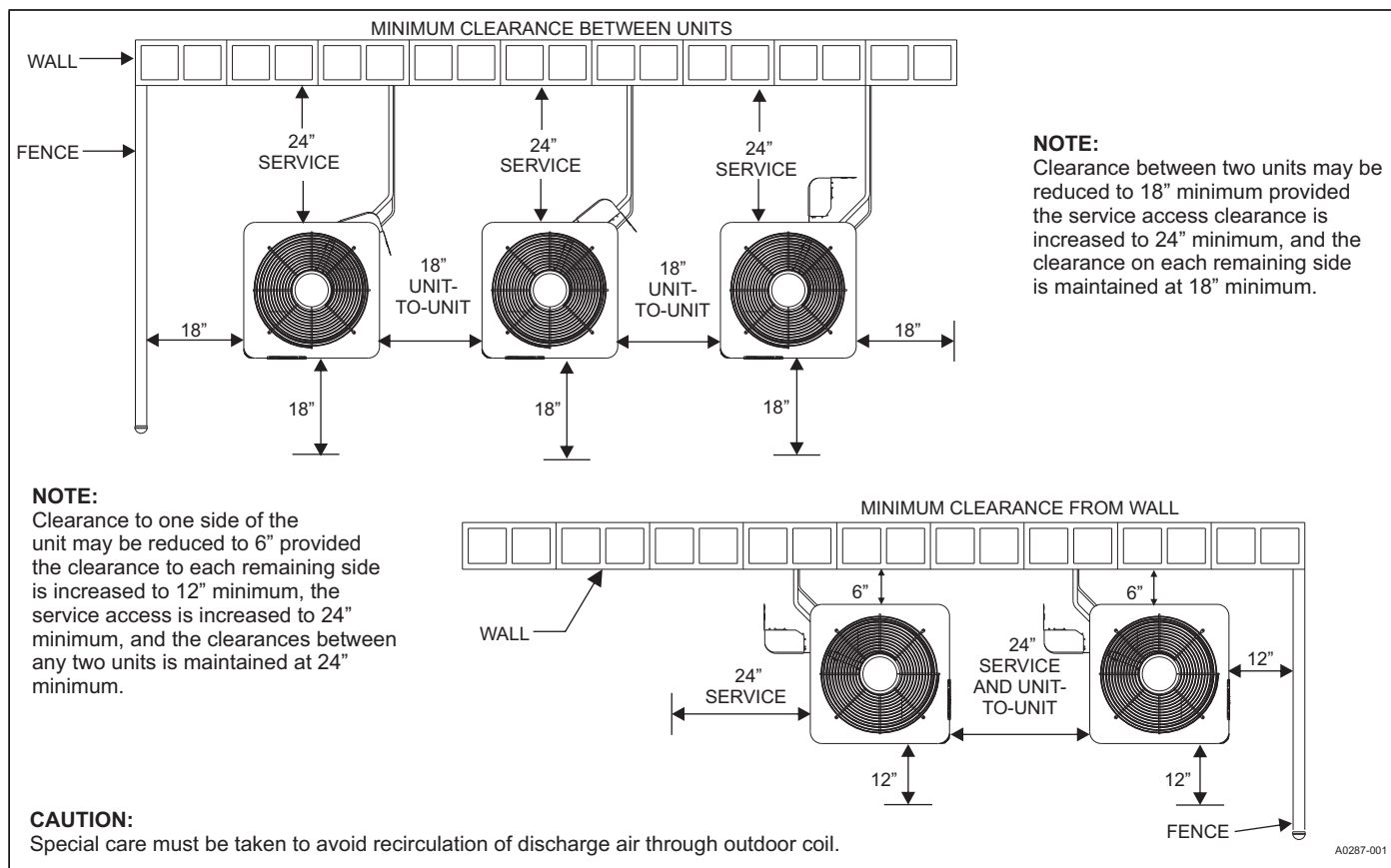
*Care must be taken to prevent ice from damaging the unit. Damage may occur from ice falling onto unit from a sloped roof or from a vertical drip line due to a partial overhang.*



**TYPICAL FIELD WIRING**



**ALTERNATIVE INSTALLATION CLEARANCES**



## PERFORMANCE DATA - 1.5 TON

CONDENSER-ONLY DATA (OUTDOOR UNIT)																
MODEL	SATURATED SUCTION @ COMPRESSOR		Outdoor Ambient Temperature													
			55 °F		65 °F		75 °F		85 °F		95 °F		105 °F		115 °F	
	T (°F)	P (PSIG)	MBH	KW	MBH	KW	MBH	KW	MBH	KW	MBH	KW	MBH	KW	MBH	KW
GAW14L18C23S	35	107.4	13.67	0.97	12.98	1.11	12.30	1.25	11.62	1.39	10.93	1.53	10.25	1.67	9.56	1.81
	40	118.6	15.91	0.94	15.14	1.08	14.37	1.22	13.60	1.36	12.83	1.50	12.06	1.64	11.29	1.78
	45	130.4	18.15	0.92	17.29	1.06	16.44	1.20	15.58	1.34	14.72	1.48	13.87	1.62	13.01	1.76
	50	143.0	20.39	0.90	19.44	1.04	18.50	1.18	17.56	1.32	16.62	1.46	15.68	1.60	14.74	1.74
	55	156.3	22.62	0.88	21.60	1.02	20.57	1.16	19.54	1.30	18.52	1.44	17.49	1.58	16.46	1.72
	60	170.3	24.86	0.86	23.75	1.00	22.64	1.14	21.53	1.28	20.41	1.42	19.30	1.56	18.19	1.70

## Notes:

- For Outdoor Unit (Condenser) performance only. Data does not include the effects of air handler power or heat.
- Performance based on 15°F subcooling and 15°F superheat at the Outdoor Unit base valves.
  - Increase capacity by 1% for each 2°F increase in subcooling.
  - Decrease capacity by 1% for each 2°F decrease in subcooling.
- Maximum recommended condensing temperature is 140°F.

COOLING PERFORMANCE DATA																	
AIR CONDITIONER MODEL NO.		GAW14L18C23S															
INDOOR COIL MODEL NO.		FC1CXT1															
AIR TEMP. ENTERING OUTDOOR UNIT (°F)	IDCFM	450					600					750					
		ID DB (°F)	80	80	75	80	80	80	80	75	80	80	80	80	75	80	80
		ID WB (°F)	57	62	62	67	72	57	62	62	67	72	57	62	62	67	72
55	T.C.	17.2	19.2	19.0	21.4	24.0	18.9	20.3	20.1	22.5	24.7	20.6	21.3	21.3	23.6	25.3	
	S.C.	16.4	14.4	12.2	12.4	10.0	18.2	16.9	14.1	14.2	11.2	20.0	19.5	16.0	16.1	12.3	
	KW	1.05	1.05	1.05	1.04	1.03	1.10	1.10	1.10	1.09	1.09	1.15	1.15	1.15	1.15	1.14	
65	T.C.	16.5	18.3	18.2	20.6	23.1	18.2	19.4	19.2	21.6	23.8	20.0	20.6	20.2	22.6	24.6	
	S.C.	15.6	13.9	11.7	12.0	9.8	17.5	16.5	13.6	13.9	10.9	19.5	19.1	15.4	15.8	12.0	
	KW	1.16	1.14	1.15	1.13	1.13	1.20	1.19	1.20	1.19	1.18	1.24	1.24	1.24	1.24	1.24	
75	T.C.	15.8	17.3	17.4	19.7	22.1	17.6	18.6	18.3	20.6	23.0	19.4	20.0	19.1	21.5	23.8	
	S.C.	14.9	13.4	11.3	11.6	9.5	16.9	16.0	13.0	13.6	10.6	18.9	18.6	14.8	15.6	11.7	
	KW	1.27	1.23	1.24	1.23	1.22	1.30	1.28	1.29	1.28	1.27	1.34	1.34	1.34	1.33	1.33	
85	T.C.	15.5	16.9	16.8	19.2	21.2	17.1	18.0	17.6	20.0	22.1	18.8	19.0	18.4	20.8	23.0	
	S.C.	14.8	13.3	11.0	11.3	9.0	16.5	15.7	12.8	13.3	10.3	18.3	18.1	14.5	15.2	11.5	
	KW	1.38	1.36	1.37	1.36	1.35	1.42	1.41	1.42	1.41	1.40	1.47	1.46	1.47	1.46	1.46	
95	T.C.	15.2	16.6	16.3	18.7	20.3	16.7	17.3	16.9	19.3	21.2	18.2	18.1	17.6	20.0	22.1	
	S.C.	14.7	13.2	10.8	11.0	8.4	16.2	15.4	12.5	13.0	9.9	17.7	17.6	14.3	14.9	11.4	
	KW	1.49	1.49	1.50	1.49	1.48	1.54	1.54	1.55	1.54	1.53	1.60	1.59	1.60	1.60	1.59	
105	T.C.	14.0	15.4	15.2	17.5	19.1	15.1	16.0	15.6	17.8	19.9	16.2	16.7	15.9	18.1	20.8	
	S.C.	13.6	12.6	10.2	10.7	8.5	14.7	14.4	11.9	12.4	9.7	15.8	16.2	13.6	14.1	10.9	
	KW	1.75	1.75	1.75	1.75	1.74	1.89	1.80	1.80	1.80	1.80	2.02	1.85	1.86	1.85	1.85	
115	T.C.	12.8	14.2	14.2	16.4	17.8	13.5	14.7	14.2	16.3	18.6	14.2	15.3	14.2	16.3	19.4	
	S.C.	12.5	12.1	9.6	10.4	8.6	13.1	13.5	11.3	11.9	9.5	13.8	14.9	13.0	13.3	10.3	
	KW	2.01	2.01	2.00	2.00	2.00	2.23	2.06	2.06	2.05	2.06	2.45	2.11	2.11	2.11	2.12	
125	T.C.	11.5	12.9	13.2	15.2	16.5	11.9	13.4	12.9	14.8	17.3	12.2	13.9	12.6	14.5	18.1	
	S.C.	11.4	11.6	8.9	10.1	8.7	11.6	12.6	10.6	11.3	9.2	11.9	13.5	12.4	12.5	9.8	
	KW	2.01	2.01	2.00	2.00	2.00	2.44	2.19	2.18	2.18	2.19	2.88	2.37	2.36	2.37	2.38	

NOTE: ALL CAPACITIES INCLUDE INDOOR FAN HEAT. KW VALUES ARE FOR THE SYSTEM (OUTDOOR + INDOOR).

Green shaded cells are ACCA (TVA) conditions.

Blue shaded cells are AHRI conditions.

## Multipliers for determining the performance with other indoor sections.

NOTE: For dry bulb temperatures different than those listed (between 73-87 °F), sensible capacity increases by 1060 BTUH per 1000 CFM per degree above the listed temperature and decreases by 1060 BTUH per 1000 CFM per degree below the listed temperature.



## PERFORMANCE DATA - 2 TON

CONDENSER-ONLY DATA (OUTDOOR UNIT)																
MODEL	SATURATED SUCTION @ COMPRESSOR		Outdoor Ambient Temperature													
			55 °F		65 °F		75 °F		85 °F		95 °F		105 °F		115 °F	
	T (°F)	P (PSIG)	MBH	KW	MBH	KW	MBH	KW	MBH	KW	MBH	KW	MBH	KW	MBH	KW
GAW14L24C23S	35	107.4	19.63	1.01	18.14	1.25	16.65	1.50	15.16	1.74	13.67	1.98	12.18	2.23	10.69	2.47
	40	118.6	22.62	1.03	21.01	1.27	19.40	1.50	17.79	1.74	16.19	1.97	14.58	2.21	12.97	2.44
	45	130.4	25.61	1.06	23.88	1.28	22.16	1.51	20.43	1.73	18.70	1.96	16.98	2.18	15.25	2.41
	50	143.0	28.60	1.08	26.76	1.30	24.91	1.51	23.07	1.73	21.22	1.94	19.38	2.16	17.53	2.38
	55	156.3	31.59	1.11	29.63	1.31	27.66	1.52	25.70	1.73	23.74	1.93	21.78	2.14	19.81	2.34
	60	170.3	34.58	1.13	32.50	1.33	30.42	1.53	28.34	1.72	26.26	1.92	24.18	2.11	22.10	2.31

## Notes:

- For Outdoor Unit (Condenser) performance only. Data does not include the effects of air handler power or heat.
- Performance based on 15°F subcooling and 15°F superheat at the Outdoor Unit base valves.
  - Increase capacity by 1% for each 2°F increase in subcooling.
  - Decrease capacity by 1% for each 2°F decrease in subcooling.
- Maximum recommended condensing temperature is 140°F.

COOLING PERFORMANCE DATA																
AIR CONDITIONER MODEL NO.		GAW14L24C23S														
INDOOR COIL MODEL NO.		FC3CXT1														
AIR TEMP. ENTERING OUTDOOR UNIT (°F)	IDCFM	600					800					1000				
	ID DB (°F)	80	80	75	80	80	80	80	75	80	80	80	80	75	80	80
	ID WB (°F)	57	62	62	67	72	57	62	62	67	72	57	62	62	67	72
55	T.C.	23.5	26.3	26.9	28.8	32.1	26.6	28.2	28.7	30.4	33.7	29.7	30.2	30.4	32.0	35.2
	S.C.	23.5	20.5	18.1	18.0	13.9	26.6	24.2	20.3	20.2	15.5	29.7	27.8	22.5	22.4	17.2
	KW	1.30	1.30	1.30	1.30	1.29	1.37	1.37	1.37	1.37	1.36	1.43	1.44	1.43	1.44	1.43
65	T.C.	22.4	24.5	26.0	27.9	31.1	25.6	26.4	27.7	29.6	32.7	28.8	28.3	29.5	31.2	34.3
	S.C.	22.4	19.1	17.7	17.4	13.6	25.6	22.6	20.0	19.7	15.3	28.8	26.1	22.3	22.0	17.0
	KW	1.44	1.45	1.44	1.43	1.43	1.51	1.51	1.50	1.50	1.50	1.57	1.57	1.57	1.57	1.57
75	T.C.	21.2	22.8	25.2	27.0	30.2	24.6	24.6	26.8	28.7	31.8	27.9	26.4	28.5	30.3	33.4
	S.C.	21.2	17.7	17.4	16.8	13.3	24.6	21.0	19.8	19.3	15.1	27.9	24.3	22.1	21.7	16.8
	KW	1.59	1.59	1.57	1.56	1.56	1.64	1.65	1.64	1.63	1.63	1.70	1.71	1.70	1.70	1.70
85	T.C.	20.4	21.7	23.4	25.7	28.8	23.2	23.3	25.1	27.3	30.4	26.0	24.9	26.8	28.8	32.0
	S.C.	20.4	17.3	16.2	16.2	12.8	23.2	20.2	18.9	18.7	14.5	26.0	23.0	21.7	21.2	16.2
	KW	1.78	1.79	1.79	1.75	1.74	1.84	1.85	1.84	1.82	1.81	1.90	1.91	1.89	1.88	1.88
95	T.C.	19.6	20.7	21.6	24.4	27.4	21.9	22.1	23.4	25.9	29.0	24.2	23.4	25.2	27.3	30.6
	S.C.	19.6	16.9	15.0	15.6	12.3	21.9	19.3	18.1	18.1	13.9	24.2	21.8	21.2	20.6	15.5
	KW	1.98	1.99	2.00	1.94	1.92	2.04	2.05	2.04	2.01	1.99	2.10	2.12	2.08	2.07	2.06
105	T.C.	18.0	19.5	20.1	22.3	25.1	20.2	20.7	21.0	23.1	26.1	22.3	21.9	22.0	23.9	27.1
	S.C.	18.0	17.0	14.6	14.5	11.6	20.2	18.9	16.7	16.1	13.3	22.3	20.8	18.9	17.6	15.0
	KW	2.44	2.40	2.40	2.41	2.34	2.48	2.47	2.47	2.47	2.40	2.53	2.53	2.55	2.53	2.46
115	T.C.	16.5	18.4	18.5	20.2	22.9	18.4	19.4	18.7	20.3	23.3	20.4	20.5	18.8	20.4	23.7
	S.C.	16.5	17.0	14.2	13.4	11.0	18.4	18.5	15.4	14.0	12.7	20.4	19.9	16.6	14.7	14.5
	KW	2.89	2.81	2.80	2.88	2.76	2.93	2.88	2.91	2.94	2.81	2.96	2.95	3.02	2.99	2.86
125	T.C.	15.0	17.2	17.0	18.0	20.6	16.7	18.1	16.3	17.5	20.4	18.5	19.0	15.6	17.0	20.2
	S.C.	15.0	17.1	13.7	12.3	10.3	16.7	18.1	14.0	12.0	12.2	18.5	19.0	14.3	11.7	14.0
	KW	2.89	2.81	2.80	2.88	2.76	3.14	3.09	3.14	3.17	3.01	3.39	3.36	3.49	3.45	3.27

NOTE: ALL CAPACITIES INCLUDE INDOOR FAN HEAT. KW VALUES ARE FOR THE SYSTEM (OUTDOOR + INDOOR).

Green shaded cells are ACCA (TVA) conditions.

Blue shaded cells are AHRJ conditions.

## Multipliers for determining the performance with other indoor sections.

NOTE: For dry bulb temperatures different than those listed (between 73-87 °F), sensible capacity increases by 1060 BTUH per 1000 CFM per degree above the listed temperature and decreases by 1060 BTUH per 1000 CFM per degree below the listed temperature.

## PERFORMANCE DATA - 2.5 TON

CONDENSER-ONLY DATA (OUTDOOR UNIT)																
MODEL	SATURATED SUCTION @ COMPRESSOR		Outdoor Ambient Temperature													
			55 °F		65 °F		75 °F		85 °F		95 °F		105 °F		115 °F	
	T (°F)	P (PSIG)	MBH	KW	MBH	KW	MBH	KW	MBH	KW	MBH	KW	MBH	KW	MBH	KW
GAW14L30C23S	35	107.4	22.06	1.07	21.02	1.36	19.97	1.66	18.93	1.96	17.88	2.25	16.84	2.55	15.79	2.85
	40	118.6	25.76	1.12	24.51	1.40	23.27	1.68	22.03	1.97	20.78	2.25	19.54	2.53	18.30	2.81
	45	130.4	29.45	1.17	28.01	1.44	26.57	1.71	25.13	1.97	23.69	2.24	22.24	2.51	20.80	2.78
	50	143.0	33.15	1.22	31.51	1.48	29.87	1.73	28.23	1.98	26.59	2.24	24.95	2.49	23.31	2.75
	55	156.3	36.84	1.27	35.00	1.51	33.17	1.75	31.33	1.99	29.49	2.23	27.65	2.47	25.81	2.71
	60	170.3	40.54	1.33	38.50	1.55	36.46	1.78	34.43	2.00	32.39	2.23	30.35	2.46	28.32	2.68

## Notes:

- For Outdoor Unit (Condenser) performance only. Data does not include the effects of air handler power or heat.
- Performance based on 15°F subcooling and 15°F superheat at the Outdoor Unit base valves.
  - Increase capacity by 1% for each 2°F increase in subcooling.
  - Decrease capacity by 1% for each 2°F decrease in subcooling.
- Maximum recommended condensing temperature is 140°F.

COOLING PERFORMANCE DATA																	
AIR CONDITIONER MODEL NO.		GAW14L30C23S															
INDOOR COIL MODEL NO.		FC3CXT1															
AIR TEMP. ENTERING OUTDOOR UNIT (°F)	IDCFM	800					1000					1200					
		ID DB (°F)	80	80	75	80	80	80	80	75	80	80	80	80	75	80	80
		ID WB (°F)	57	62	62	67	72	57	62	62	67	72	57	62	62	67	72
55	T.C.	29.9	32.6	31.8	36.2	38.5	31.1	34.4	33.7	37.4	39.6	32.3	36.3	35.5	38.6	40.6	
	S.C.	29.9	26.6	22.5	22.3	17.7	31.1	29.8	25.1	25.0	19.2	32.3	32.9	27.6	27.6	20.6	
	KW	1.52	1.52	1.53	1.52	1.53	1.59	1.59	1.60	1.59	1.60	1.65	1.66	1.66	1.66	1.67	
65	T.C.	29.0	31.3	30.6	34.5	37.6	30.8	32.9	32.3	36.1	38.7	32.7	34.5	34.1	37.8	39.9	
	S.C.	29.0	25.8	21.7	22.0	17.2	30.8	29.0	24.2	24.5	18.8	32.7	32.1	26.6	27.0	20.3	
	KW	1.68	3.49	1.69	1.68	1.69	1.75	2.65	1.76	1.75	1.76	1.81	1.81	1.82	1.82	1.83	
75	T.C.	28.1	30.1	29.4	32.7	36.6	30.6	31.4	31.0	34.9	37.9	33.0	32.7	32.6	37.0	39.1	
	S.C.	28.1	25.1	20.9	21.7	16.7	30.6	28.2	23.3	24.0	18.4	33.0	31.3	25.6	26.3	20.0	
	KW	1.85	5.45	1.86	1.83	1.84	1.91	3.71	1.92	1.90	1.91	1.97	1.97	1.98	1.97	1.98	
85	T.C.	26.3	28.1	27.4	31.1	34.6	28.9	29.6	28.9	32.9	36.0	31.5	31.0	30.5	34.8	37.3	
	S.C.	26.3	23.7	19.7	20.7	16.1	28.9	26.9	22.0	23.0	17.7	31.5	30.0	24.4	25.2	19.4	
	KW	2.08	3.88	2.09	2.06	2.08	2.13	3.04	2.15	2.12	2.14	2.19	2.20	2.21	2.19	2.20	
95	T.C.	24.6	26.2	25.4	29.4	32.6	27.3	27.8	26.8	31.0	34.0	30.0	29.3	28.3	32.6	35.5	
	S.C.	24.6	22.4	18.5	19.8	15.5	27.3	25.6	20.8	22.0	17.1	30.0	28.8	23.1	24.2	18.8	
	KW	2.31	2.30	2.33	2.28	2.31	2.36	2.37	2.39	2.35	2.36	2.42	2.43	2.44	2.41	2.42	
105	T.C.	23.0	24.1	23.6	26.4	29.8	25.2	25.4	24.6	27.8	31.1	27.4	26.7	25.5	29.2	32.3	
	S.C.	23.0	21.5	17.8	18.0	14.6	25.2	24.0	19.6	20.1	15.6	27.4	26.5	21.4	22.3	16.7	
	KW	2.80	2.80	2.82	2.80	2.78	2.84	2.85	2.89	2.85	2.84	2.88	2.91	2.96	2.90	2.90	
115	T.C.	21.4	21.9	21.8	23.3	27.0	23.1	23.0	22.3	24.6	28.1	24.8	24.0	22.7	25.8	29.1	
	S.C.	21.4	20.7	17.1	16.2	13.6	23.1	22.4	18.4	18.3	14.1	24.8	24.2	19.6	20.3	14.5	
	KW	3.29	3.30	3.31	3.32	3.25	3.31	3.34	3.39	3.35	3.31	3.34	3.39	3.47	3.39	3.38	
125	T.C.	19.9	19.8	20.1	20.3	24.3	21.0	20.6	20.0	21.4	25.1	22.1	21.4	19.9	22.5	25.9	
	S.C.	19.9	19.8	16.5	14.3	12.7	21.0	20.6	17.2	16.4	12.6	22.1	21.4	17.9	18.4	12.4	
	KW	3.29	3.30	3.31	3.32	3.25	3.55	3.58	3.65	3.60	3.55	3.80	3.87	3.99	3.88	3.86	

NOTE: ALL CAPACITIES INCLUDE INDOOR FAN HEAT. KW VALUES ARE FOR THE SYSTEM (OUTDOOR + INDOOR).

Green shaded cells are ACCA (TVA) conditions.

Blue shaded cells are AHRI conditions.

## Multipliers for determining the performance with other indoor sections.

NOTE: For dry bulb temperatures different than those listed (between 73-87 °F), sensible capacity increases by 1060 BTUH per 1000 CFM per degree above the listed temperature and decreases by 1060 BTUH per 1000 CFM per degree below the listed temperature.

## PERFORMANCE DATA - 3 TON

CONDENSER-ONLY DATA (OUTDOOR UNIT)																
MODEL	SATURATED SUCTION @ COMPRESSOR		Outdoor Ambient Temperature													
			55 °F		65 °F		75 °F		85 °F		95 °F		105 °F		115 °F	
	T (°F)	P (PSIG)	MBH	KW	MBH	KW	MBH	KW	MBH	KW	MBH	KW	MBH	KW	MBH	KW
GAW14L36C23S	35	107.4	24.62	1.56	23.26	1.80	21.91	2.04	20.55	2.27	19.19	2.51	17.84	2.74	16.48	2.98
	40	118.6	28.76	1.55	27.17	1.79	25.58	2.03	23.99	2.27	22.41	2.52	20.82	2.76	19.23	3.00
	45	130.4	32.89	1.54	31.08	1.79	29.26	2.03	27.44	2.28	25.62	2.53	23.80	2.77	21.98	3.02
	50	143.0	37.03	1.53	34.98	1.78	32.93	2.03	30.88	2.28	28.83	2.54	26.78	2.79	24.73	3.04
	55	156.3	41.17	1.51	38.89	1.77	36.60	2.03	34.32	2.29	32.04	2.55	29.76	2.80	27.47	3.06
	60	170.3	45.31	1.50	42.79	1.77	40.28	2.03	37.76	2.29	35.25	2.56	32.74	2.82	30.22	3.08

## Notes:

- For Outdoor Unit (Condenser) performance only. Data does not include the effects of air handler power or heat.
- Performance based on 15°F subcooling and 15°F superheat at the Outdoor Unit base valves.
  - Increase capacity by 1% for each 2°F increase in subcooling.
  - Decrease capacity by 1% for each 2°F decrease in subcooling.
- Maximum recommended condensing temperature is 140°F.

COOLING PERFORMANCE DATA																	
AIR CONDITIONER MODEL NO.		GAW14L36C23S															
INDOOR COIL MODEL NO.		FC3CXT1															
AIR TEMP. ENTERING OUTDOOR UNIT (°F)	IDCFM	1000					1200					1400					
		ID DB (°F)	80	80	75	80	80	80	80	75	80	80	80	80	75	80	80
		ID WB (°F)	57	62	62	67	72	57	62	62	67	72	57	62	62	67	72
55	T.C.	34.3	34.9	36.6	39.5	45.7	36.7	36.7	37.2	41.0	44.6	39.1	38.5	37.8	42.5	43.5	
	S.C.	34.3	31.7	26.8	26.7	23.1	36.7	34.5	29.2	29.3	22.0	39.1	37.3	31.5	32.0	20.9	
	KW	1.79	1.78	1.79	1.80	1.96	1.86	1.86	1.86	1.87	1.88	1.93	1.94	1.94	1.95	1.81	
65	T.C.	33.1	33.7	34.9	38.4	44.6	35.5	35.3	35.8	39.8	43.5	37.9	37.0	36.6	41.1	42.4	
	S.C.	33.1	30.6	26.2	26.2	22.9	35.5	33.3	28.5	28.6	21.7	37.9	36.1	30.7	31.1	20.6	
	KW	1.96	1.96	1.96	1.97	2.13	2.03	2.03	2.03	2.04	2.05	2.10	2.11	2.11	2.12	1.98	
75	T.C.	31.9	32.4	33.2	37.3	43.5	34.3	33.9	34.3	38.5	42.4	36.7	35.4	35.4	39.8	41.3	
	S.C.	31.9	29.5	25.6	25.6	22.7	34.3	32.2	27.8	27.9	21.5	36.7	34.8	29.9	30.2	20.3	
	KW	2.13	2.14	2.14	2.14	2.29	2.20	2.21	2.21	2.21	2.22	2.27	2.28	2.28	2.28	2.15	
85	T.C.	30.0	30.8	31.3	35.4	41.8	32.5	32.3	32.5	36.6	40.5	35.0	33.8	33.8	37.9	39.2	
	S.C.	30.0	28.7	24.1	24.7	21.9	32.5	31.2	26.8	26.8	20.8	35.0	33.7	29.4	28.9	19.6	
	KW	2.38	2.39	2.39	2.39	2.53	2.45	2.45	2.45	2.46	2.46	2.52	2.52	2.52	2.53	2.39	
95	T.C.	28.2	29.3	29.3	33.5	40.1	30.8	30.7	30.7	34.7	38.5	33.3	32.1	32.2	36.0	37.0	
	S.C.	28.2	28.0	22.7	23.7	21.2	30.8	30.3	25.8	25.7	20.0	33.3	32.1	28.9	27.7	18.9	
	KW	2.62	2.63	2.64	2.64	2.78	2.69	2.70	2.70	2.71	2.70	2.76	2.76	2.76	2.78	2.63	
105	T.C.	27.4	27.6	27.6	31.2	36.4	28.8	28.8	28.4	31.7	34.9	30.3	29.9	29.3	32.1	33.3	
	S.C.	27.4	27.2	22.5	22.3	20.9	28.8	28.8	24.7	24.1	19.2	30.3	29.9	26.8	25.8	17.5	
	KW	3.15	3.15	3.17	3.19	3.29	3.22	3.21	3.24	3.25	3.24	3.29	3.28	3.31	3.32	3.18	
115	T.C.	26.5	25.9	25.9	29.0	32.7	26.9	26.8	26.1	28.6	31.2	27.2	27.7	26.4	28.3	29.7	
	S.C.	26.5	26.5	22.4	20.9	20.6	26.9	26.8	23.5	22.4	18.4	27.2	27.7	24.7	23.9	16.2	
	KW	3.67	3.67	3.70	3.73	3.81	3.75	3.73	3.78	3.80	3.78	3.83	3.79	3.86	3.87	3.74	
125	T.C.	25.7	24.3	24.2	26.7	29.1	25.0	24.9	23.9	25.6	27.5	24.2	25.6	23.5	24.4	26.0	
	S.C.	25.7	24.3	22.3	19.5	20.3	25.0	24.9	22.4	20.8	17.6	24.2	25.6	22.6	22.0	14.8	
	KW	3.67	3.67	3.70	3.73	3.81	4.02	3.98	4.06	4.07	4.05	4.36	4.30	4.41	4.41	4.30	

NOTE: ALL CAPACITIES INCLUDE INDOOR FAN HEAT. KW VALUES ARE FOR THE SYSTEM (OUTDOOR + INDOOR).

Green shaded cells are ACCA (TVA) conditions.

Blue shaded cells are AHRJ conditions.

## Multipliers for determining the performance with other indoor sections.

NOTE: For dry bulb temperatures different than those listed (between 73-87 °F), sensible capacity increases by 1060 BTUH per 1000 CFM per degree above the listed temperature and decreases by 1060 BTUH per 1000 CFM per degree below the listed temperature.

## PERFORMANCE DATA - 3.5 TON

CONDENSER-ONLY DATA (OUTDOOR UNIT)																
MODEL	SATURATED SUCTION @ COMPRESSOR		Outdoor Ambient Temperature													
			55 °F		65 °F		75 °F		85 °F		95 °F		105 °F		115 °F	
	T (°F)	P (PSIG)	MBH	KW	MBH	KW	MBH	KW	MBH	KW	MBH	KW	MBH	KW	MBH	KW
GAW14L42C23S	35	107.4	30.79	1.60	28.96	1.93	27.12	2.26	25.28	2.59	23.45	2.93	21.61	3.26	19.77	3.59
	40	118.6	35.66	1.66	33.61	1.99	31.56	2.32	29.51	2.64	27.46	2.97	25.41	3.29	23.36	3.62
	45	130.4	40.52	1.73	38.26	2.05	36.00	2.37	33.74	2.69	31.48	3.01	29.22	3.33	26.96	3.65
	50	143.0	45.39	1.79	42.92	2.11	40.44	2.42	37.97	2.74	35.50	3.05	33.02	3.37	30.55	3.68
	55	156.3	50.26	1.86	47.57	2.17	44.89	2.48	42.20	2.78	39.51	3.09	36.83	3.40	34.14	3.71
	60	170.3	55.12	1.92	52.23	2.23	49.33	2.53	46.43	2.83	43.53	3.14	40.63	3.44	37.73	3.74

## Notes:

- For Outdoor Unit (Condenser) performance only. Data does not include the effects of air handler power or heat.
- Performance based on 15°F subcooling and 15°F superheat at the Outdoor Unit base valves.
  - Increase capacity by 1% for each 2°F increase in subcooling.
  - Decrease capacity by 1% for each 2°F decrease in subcooling.
- Maximum recommended condensing temperature is 140°F.

COOLING PERFORMANCE DATA																	
AIR CONDITIONER MODEL NO.		GAW14L42C23S															
INDOOR COIL MODEL NO.		FC3CXT1															
AIR TEMP. ENTERING OUTDOOR UNIT (°F)	IDCFM	1200					1400					1600					
		ID DB (°F)	80	80	75	80	80	80	80	75	80	80	80	80	75	80	80
		ID WB (°F)	57	62	62	67	72	57	62	62	67	72	57	62	62	67	72
55	T.C.	42.3	44.3	44.2	48.3	51.0	44.3	45.4	46.8	48.4	51.2	46.2	46.4	49.4	48.5	51.3	
	S.C.	42.3	39.7	32.1	32.5	24.8	44.3	42.5	34.2	34.0	26.0	46.2	45.3	36.2	35.4	27.1	
	KW	2.20	2.21	2.22	2.23	2.24	2.28	2.29	2.30	2.30	2.32	2.36	2.37	2.38	2.37	2.39	
65	T.C.	41.1	42.8	42.4	46.8	50.3	42.9	43.8	44.1	47.2	50.7	44.7	44.9	45.9	47.7	51.2	
	S.C.	41.1	38.1	31.2	31.7	24.0	42.9	41.0	33.3	33.3	25.4	44.7	43.9	35.4	35.0	26.9	
	KW	2.41	2.42	2.42	2.43	2.44	2.49	2.50	2.50	2.51	2.52	2.56	2.58	2.58	2.58	2.60	
75	T.C.	39.8	41.3	40.7	45.3	49.6	41.5	42.3	41.5	46.0	50.3	43.2	43.3	42.4	46.8	51.1	
	S.C.	39.8	36.5	30.2	30.8	23.2	41.5	39.4	32.4	32.7	24.9	43.2	42.4	34.7	34.5	26.6	
	KW	2.62	2.63	2.63	2.64	2.65	2.69	2.71	2.70	2.71	2.73	2.77	2.79	2.78	2.79	2.80	
85	T.C.	38.4	39.4	38.8	43.5	47.5	40.0	40.4	39.5	43.9	48.0	41.5	41.4	40.1	44.3	48.6	
	S.C.	38.4	35.7	29.6	29.7	22.8	40.0	38.5	31.7	31.6	24.5	41.5	41.2	33.8	33.5	26.1	
	KW	2.90	2.91	2.92	2.93	2.93	2.98	2.99	2.99	3.00	3.01	3.05	3.07	3.06	3.08	3.08	
95	T.C.	37.0	37.5	37.0	41.6	45.4	38.4	38.5	37.5	41.8	45.7	39.9	39.5	37.9	41.9	46.1	
	S.C.	37.0	35.0	29.0	28.6	22.5	38.4	37.5	30.9	30.5	24.0	39.9	39.5	32.9	32.4	25.5	
	KW	3.19	3.19	3.21	3.22	3.22	3.26	3.27	3.28	3.29	3.29	3.33	3.35	3.35	3.36	3.37	
105	T.C.	34.5	34.3	33.4	37.6	41.3	35.8	35.1	33.9	38.0	41.9	37.0	35.8	34.4	38.3	42.6	
	S.C.	34.5	33.2	27.5	27.1	21.5	35.8	34.8	29.1	28.9	22.9	37.0	35.8	30.7	30.8	24.2	
	KW	3.81	3.83	3.84	3.84	3.83	3.87	3.89	3.91	3.91	3.90	3.93	3.95	3.97	3.98	3.96	
115	T.C.	32.0	31.2	29.8	33.6	37.2	33.1	31.6	30.4	34.1	38.1	34.1	32.1	30.9	34.7	39.0	
	S.C.	32.0	31.2	26.1	25.6	20.5	33.1	31.6	27.3	27.4	21.7	34.1	32.1	28.5	29.1	22.9	
	KW	4.42	4.47	4.47	4.47	4.44	4.47	4.51	4.53	4.53	4.50	4.52	4.55	4.60	4.59	4.55	
125	T.C.	29.5	28.0	26.2	29.5	33.1	30.4	28.2	26.8	30.3	34.3	31.2	28.4	27.5	31.1	35.4	
	S.C.	29.5	28.0	24.6	24.0	19.5	30.4	28.2	25.4	25.8	20.6	31.2	28.4	26.2	27.5	21.7	
	KW	4.42	4.47	4.47	4.47	4.44	4.77	4.81	4.85	4.84	4.80	5.12	5.15	5.22	5.21	5.15	

NOTE: ALL CAPACITIES INCLUDE INDOOR FAN HEAT. KW VALUES ARE FOR THE SYSTEM (OUTDOOR + INDOOR).

Green shaded cells are ACCA (TVA) conditions.

Blue shaded cells are AHRI conditions.

## Multipliers for determining the performance with other indoor sections.

NOTE: For dry bulb temperatures different than those listed (between 73-87 °F), sensible capacity increases by 1060 BTUH per 1000 CFM per degree above the listed temperature and decreases by 1060 BTUH per 1000 CFM per degree below the listed temperature.

## PERFORMANCE DATA - 4 TON

CONDENSER-ONLY DATA (OUTDOOR UNIT)																
MODEL	SATURATED SUCTION @ COMPRESSOR		Outdoor Ambient Temperature													
			55 °F		65 °F		75 °F		85 °F		95 °F		105 °F		115 °F	
	T (°F)	P (PSIG)	MBH	KW	MBH	KW	MBH	KW	MBH	KW	MBH	KW	MBH	KW	MBH	KW
GAW14L48C23S	35	107.4	39.91	1.59	37.59	2.16	35.27	2.74	32.96	3.31	30.64	3.88	28.32	4.46	26.00	5.03
	40	118.6	45.28	1.74	42.80	2.26	40.31	2.79	37.83	3.31	35.35	3.84	32.87	4.37	30.39	4.89
	45	130.4	50.64	1.89	48.00	2.37	45.35	2.84	42.71	3.32	40.07	3.80	37.42	4.27	34.78	4.75
	50	143.0	56.01	2.04	53.20	2.47	50.39	2.90	47.59	3.33	44.78	3.76	41.98	4.18	39.17	4.61
	55	156.3	61.37	2.19	58.40	2.57	55.43	2.95	52.47	3.33	49.50	3.71	46.53	4.09	43.56	4.48
	60	170.3	66.74	2.34	63.61	2.67	60.47	3.01	57.34	3.34	54.21	3.67	51.08	4.00	47.95	4.34

## Notes:

- For Outdoor Unit (Condenser) performance only. Data does not include the effects of air handler power or heat.
- Performance based on 15°F subcooling and 15°F superheat at the Outdoor Unit base valves.
  - Increase capacity by 1% for each 2°F increase in subcooling.
  - Decrease capacity by 1% for each 2°F decrease in subcooling.
- Maximum recommended condensing temperature is 140°F.

COOLING PERFORMANCE DATA																
AIR CONDITIONER MODEL NO.		GAW14L48C23S														
INDOOR COIL MODEL NO.		FC5CXT1														
AIR TEMP. ENTERING OUTDOOR UNIT (°F)	IDCFM	1400					1600					1800				
	ID DB (°F)	80	80	75	80	80	80	80	75	80	80	80	80	75	80	80
	ID WB (°F)	57	62	62	67	72	57	62	62	67	72	57	62	62	67	72
55	T.C.	50.0	52.6	52.5	55.9	56.1	51.9	53.5	53.4	56.4	57.3	53.9	54.4	54.3	56.9	58.5
	S.C.	50.0	45.2	38.3	37.1	27.0	51.9	47.9	39.7	38.3	28.4	53.9	50.6	41.1	39.6	29.7
	KW	2.57	2.58	2.57	2.59	2.62	2.65	2.65	2.65	2.66	2.69	2.72	2.72	2.72	2.74	2.77
65	T.C.	48.6	50.7	50.6	54.6	57.8	50.7	52.0	51.7	55.4	58.4	52.9	53.3	52.9	56.2	59.0
	S.C.	48.6	44.7	37.5	36.9	27.4	50.7	47.7	39.3	38.7	28.9	52.9	50.6	41.2	40.4	30.5
	KW	2.83	2.83	2.84	2.85	2.87	2.90	2.90	2.91	2.92	2.95	2.98	2.98	2.98	2.99	3.02
75	T.C.	47.1	48.9	48.6	53.3	59.4	49.5	50.6	50.0	54.4	59.4	51.9	52.3	51.5	55.6	59.5
	S.C.	47.1	44.1	36.6	36.8	27.8	49.5	47.4	38.9	39.0	29.5	51.9	50.7	41.2	41.3	31.3
	KW	3.09	3.09	3.10	3.11	3.13	3.16	3.16	3.17	3.18	3.20	3.24	3.23	3.24	3.25	3.28
85	T.C.	45.4	46.7	46.2	51.0	56.7	47.6	48.2	47.4	52.2	57.1	49.9	49.7	48.6	53.4	57.5
	S.C.	45.4	42.9	35.5	35.5	27.4	47.6	46.2	37.7	38.0	28.9	49.9	49.4	40.0	40.5	30.4
	KW	3.44	3.43	3.46	3.47	3.49	3.52	3.51	3.53	3.54	3.57	3.59	3.59	3.59	3.61	3.64
95	T.C.	43.6	44.5	43.9	48.8	54.1	45.7	45.9	44.8	50.0	54.8	47.8	47.2	45.7	51.3	55.5
	S.C.	43.6	41.7	34.3	34.3	27.0	45.7	44.9	36.6	37.0	28.3	47.8	48.1	38.8	39.7	29.6
	KW	3.79	3.78	3.82	3.82	3.85	3.87	3.86	3.88	3.89	3.93	3.94	3.94	3.94	3.96	4.00
105	T.C.	40.3	40.5	39.8	44.6	50.8	42.0	42.0	40.5	45.5	51.2	43.7	43.5	41.2	46.3	51.6
	S.C.	40.3	39.7	33.2	32.8	25.2	42.0	42.0	35.1	35.4	26.9	43.7	44.5	36.9	38.1	28.6
	KW	4.49	4.48	4.51	4.53	4.57	4.56	4.55	4.58	4.60	4.65	4.64	4.63	4.66	4.68	4.72
115	T.C.	37.0	36.6	35.6	40.4	47.6	38.3	38.2	36.1	40.9	47.6	39.7	39.8	36.6	41.4	47.7
	S.C.	37.0	37.6	32.1	31.2	23.4	38.3	38.2	33.6	33.9	25.5	39.7	39.8	35.0	36.5	27.6
	KW	5.18	5.17	5.20	5.23	5.29	5.26	5.25	5.28	5.31	5.37	5.33	5.32	5.37	5.39	5.44
125	T.C.	33.6	32.6	31.5	36.2	44.3	34.6	34.3	31.8	36.3	44.0	35.6	36.1	32.1	36.4	43.7
	S.C.	33.6	35.6	31.0	29.6	21.6	34.6	34.3	32.1	32.3	24.2	35.6	36.1	33.1	34.9	26.7
	KW	5.18	5.17	5.20	5.23	5.29	5.61	5.59	5.64	5.67	5.73	6.03	6.01	6.08	6.10	6.16

NOTE: ALL CAPACITIES INCLUDE INDOOR FAN HEAT. KW VALUES ARE FOR THE SYSTEM (OUTDOOR + INDOOR).

Green shaded cells are ACCA (TVA) conditions.

Blue shaded cells are AHRJ conditions.

## Multipliers for determining the performance with other indoor sections.

NOTE: For dry bulb temperatures different than those listed (between 73-87 °F), sensible capacity increases by 1060 BTUH per 1000 CFM per degree above the listed temperature and decreases by 1060 BTUH per 1000 CFM per degree below the listed temperature.

## PERFORMANCE DATA - 5 TON

CONDENSER-ONLY DATA (OUTDOOR UNIT)																
MODEL	SATURATED SUCTION @ COMPRESSOR		Outdoor Ambient Temperature													
			55 °F		65 °F		75 °F		85 °F		95 °F		105 °F		115 °F	
	T (°F)	P (PSIG)	MBH	KW	MBH	KW	MBH	KW	MBH	KW	MBH	KW	MBH	KW	MBH	KW
GAW14L60C23S	35	107.4	39.52	2.80	37.79	3.00	36.06	3.19	34.33	3.38	32.60	3.58	30.88	3.77	29.15	3.96
	40	118.6	46.32	2.72	44.12	2.97	41.92	3.22	39.73	3.47	37.53	3.72	35.33	3.97	33.13	4.22
	45	130.4	53.12	2.63	50.45	2.94	47.78	3.25	45.12	3.56	42.45	3.87	39.78	4.17	37.12	4.48
	50	143.0	59.92	2.55	56.78	2.92	53.65	3.28	50.51	3.65	47.37	4.01	44.24	4.38	41.10	4.74
	55	156.3	66.72	2.47	63.11	2.89	59.51	3.31	55.90	3.73	52.30	4.16	48.69	4.58	45.09	5.00
	60	170.3	73.52	2.38	69.44	2.86	65.37	3.34	61.30	3.82	57.22	4.30	53.15	4.78	49.07	5.26

### Notes:

- For Outdoor Unit (Condenser) performance only. Data does not include the effects of air handler power or heat.
- Performance based on 15°F subcooling and 15°F superheat at the Outdoor Unit base valves.
  - Increase capacity by 1% for each 2°F increase in subcooling.
  - Decrease capacity by 1% for each 2°F decrease in subcooling.
- Maximum recommended condensing temperature is 140°F.

COOLING PERFORMANCE DATA																
AIR CONDITIONER MODEL NO.		GAW14L60C23S														
INDOOR COIL MODEL NO.		FC5CXT1														
AIR TEMP. ENTERING OUTDOOR UNIT (°F)	IDCFM	1800					2000					2200				
	ID DB (°F)	80	80	75	80	80	80	80	75	80	80	80	80	75	80	80
	ID WB (°F)	57	62	62	67	72	57	62	62	67	72	57	62	62	67	72
55	T.C.	58.6	58.6	58.0	61.4	63.8	58.7	59.0	58.5	61.4	64.4	58.8	59.5	59.0	61.5	65.1
	S.C.	56.5	51.3	42.5	41.3	30.3	57.3	53.2	44.4	42.0	31.0	58.2	55.1	46.4	42.8	31.6
	KW	2.91	2.95	2.94	2.97	3.00	2.99	3.01	3.00	3.03	3.06	3.06	3.08	3.07	3.10	3.11
65	T.C.	57.0	56.7	56.0	60.2	63.9	57.8	57.2	56.6	60.5	64.7	58.6	57.7	57.2	60.9	65.5
	S.C.	54.9	50.4	42.0	40.9	31.1	56.1	52.5	43.9	42.3	32.0	57.2	54.6	45.8	43.6	32.8
	KW	3.22	3.25	3.24	3.27	3.30	3.29	3.31	3.30	3.34	3.36	3.36	3.37	3.37	3.40	3.43
75	T.C.	55.5	54.8	54.1	59.0	64.0	57.0	55.4	54.7	59.6	65.0	58.5	55.9	55.3	60.3	66.0
	S.C.	53.4	49.5	41.5	40.6	31.9	54.8	51.8	43.3	42.5	32.9	56.2	54.1	45.1	44.4	34.0
	KW	3.52	3.54	3.54	3.58	3.61	3.59	3.60	3.60	3.64	3.67	3.66	3.66	3.66	3.70	3.74
85	T.C.	53.5	52.4	51.6	56.7	61.5	54.9	53.0	52.1	57.2	62.5	56.4	53.5	52.6	57.6	63.4
	S.C.	51.6	48.4	40.5	40.0	30.9	52.9	50.4	42.3	41.9	32.1	54.2	52.4	44.1	43.8	33.3
	KW	3.93	3.95	3.95	3.99	4.03	4.00	4.01	4.01	4.06	4.09	4.07	4.07	4.08	4.12	4.15
95	T.C.	51.4	50.1	49.2	54.4	59.0	52.8	50.6	49.6	54.7	60.0	54.2	51.1	50.0	55.0	60.9
	S.C.	49.8	47.3	39.5	39.4	29.9	51.0	48.9	41.3	41.3	31.2	52.1	50.6	43.2	43.1	32.5
	KW	4.34	4.35	4.36	4.41	4.45	4.41	4.42	4.43	4.47	4.51	4.48	4.48	4.49	4.54	4.57
105	T.C.	48.0	47.0	46.0	50.7	55.4	49.2	47.6	46.4	51.0	56.0	50.4	48.3	46.8	51.3	56.6
	S.C.	46.8	45.0	38.1	38.1	28.8	47.8	46.4	39.9	39.9	30.0	48.8	47.8	41.7	41.8	31.3
	KW	4.97	4.98	5.00	5.07	5.09	5.04	5.05	5.07	5.14	5.15	5.11	5.11	5.13	5.20	5.21
115	T.C.	44.6	44.0	42.9	47.1	51.8	45.5	44.7	43.2	47.3	52.0	46.5	45.4	43.5	47.5	52.3
	S.C.	43.8	42.8	36.6	36.7	27.6	44.6	43.9	38.4	38.6	28.9	45.5	44.9	40.2	40.4	30.2
	KW	5.61	5.61	5.64	5.73	5.73	5.68	5.67	5.70	5.80	5.79	5.75	5.73	5.77	5.86	5.86
125	T.C.	41.2	41.0	39.7	43.4	48.2	41.9	41.8	40.0	43.6	48.1	42.6	42.5	40.3	43.8	48.0
	S.C.	40.8	40.5	35.2	35.4	26.5	41.5	41.3	36.9	37.2	27.8	42.2	42.1	38.7	39.1	29.0
	KW	6.24	6.25	6.28	6.39	6.37	6.31	6.30	6.34	6.46	6.44	6.38	6.35	6.41	6.52	6.50

**NOTE:** ALL CAPACITIES INCLUDE INDOOR FAN HEAT. KW VALUES ARE FOR THE SYSTEM (OUTDOOR + INDOOR).

Green shaded cells are ACCA (TVA) conditions.

Blue shaded cells are AHRI conditions.

### Multipliers for determining the performance with other indoor sections.

**NOTE:** For dry bulb temperatures different than those listed (between 73-87 °F), sensible capacity increases by 1060 BTUH per 1000 CFM per degree above the listed temperature and decreases by 1060 BTUH per 1000 CFM per degree below the listed temperature