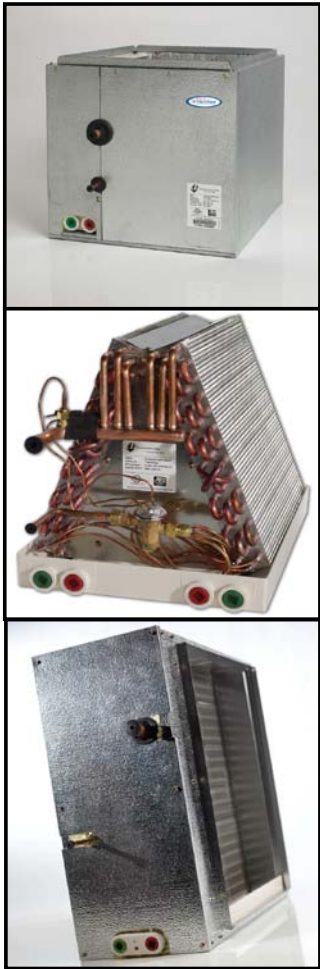


A-Coil & Horizontal Slab-Coil Engineering & Specification Guide



Contents:	Page #:
Features.....	2
Nomenclature.....	3
Uncased A-Coil Dimensions.....	4
Cased A-Coil Dimensions.....	7
A-Coil Airflow Data.....	10
HH Slab-Coil Dimensions & Air Flow Data.....	13
Coil Weights.....	14
Pallet Quantities.....	15



ISO 9001:2000
—Registered Quality System—



*Product improvement is a continuous process at Advanced Distributor Products. Therefore, product specifications are subject to change without notice and without obligation on our part. Please contact your ADP representative or distributor to verify details.
© by Advanced Distributor Products. All rights reserved.*

General Features:

- : Patented lanced fin design.
- : No hassle 5 year warranty
- : R-22, R-410A, AC & Heat Pump compatible.
- : All coils have durable packing with bar coded labels on the box.
- : Screw-on expansion valves available factory installed or as a field installed kit.
- : Coils are air pressure tested at 500 PSI, leak tested with Helium, sealed with rubber plugs and then charged with dry air.
- : Florator piston assemblies are external to the unit for easy piston change out and/or TXV installation, when florator option is ordered.
- : Liquid line refrigerant connections are 3/8" ODF.
- : Suction line refrigerant connections are 3/4" ODF (A-Coil 18-36 size models) or 7/8" ODF (A-Coil 42-60 size models & all Horizontal Slab-Coils).
Suction line refrigerant connections are 1.125" on slab number E43 for 3.5 size models and higher.

A-Coil Specific Features:

- : Stiff cabinets
- : Optional painted cabinets.
- : Corrosion resistant coil header plates.
- : All A-Coils are upflow or downflow capable.
- : Cabinet insulation hold down tabs for easy drain pan removal.
- : Interlocking doors reduce air leakage and allow for easy access.
- : Enhanced refrigerant pipe grommets: secure, tight, and easy to install.
- : Non-captive refrigerant lines with long stubs make for easy installation.
- : All multi-position coils are upflow, downflow, and left or right airflow capable.
- : All multi-position coils are field convertible from horizontal right-to-left airflow and horizontal left-to-right airflow
Models with E41, E43 and A91 slab numbers are not field convertible.
- : Dual 3/4" FPT condensate drains on front-left and front-right side of drain pans.
- : UV resistant drain pans are molded of high temperature (450 deg. F) engineered polymer.
- : Cased coils have heavy gauge embossed galvanized cabinets fully lined with 5/8" foil faced insulation.
- : Microban® antimicrobial additive and **HydroTEC™** low water retention drain pan prevent mold and mildew.
- : Expansion valve with improved temperature sensing:
 1. Mounted inside cabinet to prevent external sweating
 2. Bulb clamped standard factory installed
 3. Wrapped bulb optional factory installed

WARNING

- : Face velocity above 350 ft/min. is not recommended for downflow or counterflow applications due to potential water blow-off.

Nomenclature

A-Coil

	H	A	0	2	2	2	4	C	1	4	5	B	1	2	0	5	AP	
Cabinet H= Embossed A= Armstrong D= Ducane G= ICP J= Goodman/Amana P= Carrier/Bryant/Payne R= Rheem/Ruud T= Trane/American Std. Y = York																	Piston Size *AP = TXV Access Port AW= TXV Access Port w/Bulb Wrap R-22 R-410A 41 = 12 MBTUH 41 = 12 MBTUH 53 = 18 MBTUH 49 = 18 MBTUH 59 = 24 MBTUH 53 = 24 MBTUH 67 = 30 MBTUH 59 = 30 MBTUH 73 = 36 MBTUH 67 = 36 MBTUH 80 = 42 MBTUH 73 = 42 MBTUH 84 = 48 MBTUH 76 = 48 MBTUH 93 = 60 MBTUH 93 = 60 MBTUH Note: Piston will always be sized to match the nominal Btu rating of the coil.	
Slab Number																	Product Code 00 = Right-hand Uncased 01 = Right-hand Cased 04 = Left-hand Uncased 05 = Left-hand Cased 20 = Right-hand Cased Multi-position 22 = Left-hand Cased Multi-position	
Metering Device 1 = Piston (R-410A) 2 = Piston (R-22) 3 = Bleed A/C TXV (R-22) 4 = Non Bleed A/C TXV (R-22) 5 = Non Bleed HP TXV (R-22) 6 = Non Bleed A/C TXV (R-410A) 9 = Non Bleed HP TXV (R-410A)																	Cabinet Height 00 = Uncased 12 = 12.50" (Cabinet heights not a selectable option, see dimension sheets) 16 = 16.50" 18 = 18.50" 20 = 20.50" 22 = 22.50" Only available with H, R, & T Models 25 = 25.50" 27 = 27.50" 29 = 29.50" 31 = 31.50"	
Nominal MBTUH																		
Cabinet Depth A = Uncased D = 21.00" C = 20.50" E = 21.50"																		
Width 130 = 13.00" 132 = 13.25" 135 = 13.50" 137 = 13.75" 140 = 14.00" Up to 26.75", depending on size.																		
Cabinet Upper Notch A = Uncased B = .75" (standard) C = 1.25" (counterflow) D = 1.75" E = 2.25" etc ↓																	Distance between top flange and front of cabinet. Note: If cabinet upper notch is anything other than standard (B), cabinet height must be increased to the next offered size.	

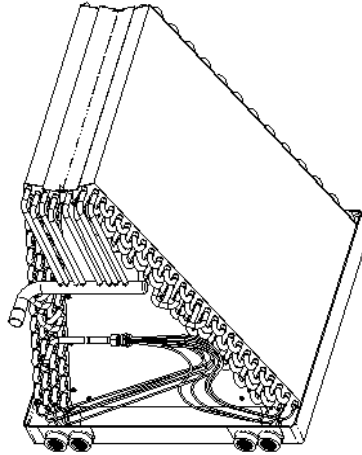
*Standard on factory installed TXVs. Optional for piston models.

HH Slab-Coil

	H	H	5	2	2	2	4	A	2	2	5	A	21	0	2	59	
H= Embossed																	Florator Piston Size *AP = TXV Access Port R-22 R-410A 41 = 12 MBTUH 41 = 12 MBTUH 53 = 18 MBTUH 49 = 18 MBTUH 59 = 24 MBTUH 53 = 24 MBTUH 67 = 30 MBTUH 59 = 30 MBTUH 73 = 36 MBTUH 67 = 36 MBTUH 80 = 42 MBTUH 73 = 42 MBTUH 84 = 48 MBTUH 76 = 48 MBTUH 93 = 60 MBTUH 93 = 60 MBTUH Note: Piston will always be sized to match the nominal btu rating of the coil.
Horizontal Coil																	Product Code 02 = Cased "H"
Slab Number																	Cabinet Opening Height 17 = 17 1/4" 21 = 21 1/4" Note: Cabinet opening is determined by coil code. (not a selectable option)
Metering Device 1 = Piston (R-410A) 2 = Piston (R-22) 3 = Bleed A/C TXV (R-22) 4 = Non Bleed A/C TXV (R-22) 5 = Non Bleed HP TXV (R-22) 6 = Non Bleed A/C TXV (R-410A) 9 = Non Bleed HP TXV (R-410A)																	
Nominal MBTUH																	
Cabinet Depth A = 10" Note: Fixed, not a selectable option.																	
Cabinet Opening Width 185 = 18 5/8" Note: 225 = 22 5/8" Cabinet opening is determined by coil code. 265 = 26 5/8" (not a selectable option) 305 = 30 5/8" 365 = 36 5/8" 425 = 42 5/8"																	A = Bi-directional airflow

*Standard on factory installed TXVs. Optional for piston models.

Uncased Dimensions



	Drain Pan Width							Pan Depth	Coil Height
	13"	14"	15.5"	17"	20"	20.5"	25.12"		
HA01*18	X	X	X	X				19.5"	11"
HA01*24	X	X	X	X					
HA02*18	X	X	X	X				19.5"	13"
HA02*24	X	X	X	X					
HA02*30	X	X	X	X					
HA03*24	X	X	X	X				19.5"	15"
HA03*30	X	X	X	X					
HA03*36		X	X	X					
HA04*30	X	X	X	X	X			19.5"	17"
HA04*36		X	X	X	X				
HA04*42			X	X	X				
HA05*30	X	X	X	X	X			19.5"	19"
HA05*36		X	X	X	X				
HA05*42			X	X	X				
HA05*48				X	X				
HA06*36		X	X	X	X			19.5"	21"
HA06*42			X	X	X				
HA06*48				X	X				
HA07*36		X	X	X	X			19.5"	25"
HA07*42			X	X	X				
HA07*48				X	X				
HA07*60					X				
HA08*18	X	X	X					19.5"	11"
HA08*24	X	X	X						
HA09*18	X	X	X	X				19.5"	13"
HA09*24	X	X	X	X					
HA09*30	X	X	X	X					
HA10*24	X	X	X	X				19.5"	15"
HA10*30	X	X	X	X					
HA10*36		X	X	X					
HA11*36		X	X	X	X			19.5"	17"
HA11*42			X	X	X				

*Represents Metering Device. See Nomenclature.

Uncased Dimensions (cont.)

	Drain Pan Width							Pan Depth	Coil Height
	13"	14"	15.5"	17"	20"	20.5"	25.12"		
HA12*36		X	X	X	X			19.5"	19"
HA12*42			X	X	X				
HA12*48				X	X				
HA13*36		X	X	X	X			19.5"	21"
HA13*42			X	X	X				
HA13*48				X	X				
HA14*36		X	X	X	X			19.5"	23"
HA14*42			X	X	X				
HA14*48				X	X				
HA14*60					X				
HA15*36		X	X	X	X			19.5"	25"
HA15*42			X	X	X				
HA15*48				X	X				
HA15*60					X				
HA91*42							X	20"	25"
HA91*48							X		
HA91*60							X		
HE20*18	X	X	X					19.5"	11"
HE20*24	X	X	X						
HE21*18	X	X	X	X				19.5"	13"
HE21*24	X	X	X	X					
HE21*30	X	X	X	X					
HE22*24	X	X	X	X				19.5"	15"
HE22*30	X	X	X	X					
HE22*36		X	X	X					
HE23*24	X	X	X	X	X			19.5"	17"
HE23*30	X	X	X	X	X				
HE23*36		X	X	X	X				
HE23*42			X	X	X				
HE24*36		X	X	X	X			19.5"	19"
HE24*42			X	X	X				
HE24*48				X	X				
HE25*36		X	X	X	X			19.5"	21"
HE25*42			X	X	X				
HE25*48				X	X				
HE26*42			X	X	X			19.5"	23"
HE26*48				X	X				
HE26*60					X				
HE27*42			X	X	X			19.5"	25"
HE27*48				X	X				
HE27*60					X				
HE30*18	X	X	X					19.5"	11"
HE30*24	X	X	X						
HE31*18	X	X	X	X				19.5"	13"
HE31*24	X	X	X	X					
HE31*30	X	X	X	X					
HE32*24	X	X	X	X				19.5"	15"
HE32*30	X	X	X	X					
HE32*36		X	X	X					

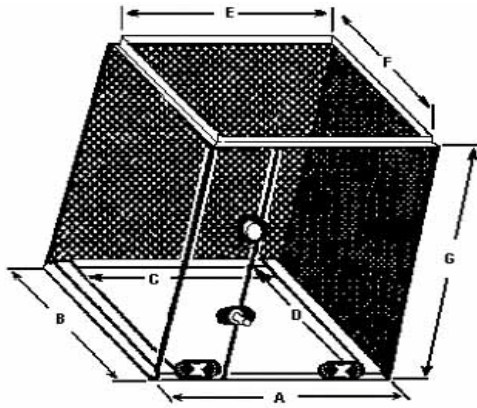
*Represents Metering Device. See Nomenclature.

Uncased Dimensions (Cont.)

	Drain Pan Width							Pan Depth	Coil Height
	13"	14"	15.5"	17"	20"	20.5"	25.12"		
HE33*24	X	X	X	X	X			19.5"	17"
HE33*30	X	X	X	X	X				
HE33*36		X	X	X	X				
HE34*30	X	X	X	X	X			19.5"	19"
HE34*36		X	X	X	X				
HE34*42			X	X	X				
HE35*36		X	X	X	X			19.5"	21"
HE35*42			X	X	X				
HE35*48				X	X				
HE36*36		X	X	X	X			19.5"	23"
HE36*42			X	X	X				
HE36*48				X	X				
HE36*60					X				
HE37*36		X	X	X	X			19.5"	25"
HE37*42			X	X	X				
HE37*48				X	X				
HE37*60					X				
HE41*42							X	20"	25"
HE41*48							X		
HE41*60							X		
HE43*36							X	20"	27"
HE43*42							X		
HE43*48							X		
HE43*60							X		
HE47*24				X				19.5"	27"
HE47*30				X					
HE47*36				X					
HE48*36		X	X	X	X			19.5"	27"
HE48*42			X	X	X				
HE48*48				X	X				
HE48*60					X				
HE49*42						X		19.5"	25"
HE49*48						X			
HE49*60						X			
HE50*42						X		19.5"	27"
HE50*48						X			
HE50*60						X			
HE51*42						X		19.5"	29"
HE51*48						X			
HE51*60						X			
HE54*42					X			19.5"	31"
HE54*48					X				
HE54*60					X				
HE55*42					X			19.5"	31"
HE55*48					X				
HE55*60					X				
HE57*24						X		19.5"	27"
HE57*30						X			
HE57*36						X			

*Represents Metering Device. See Nomenclature.

Cased Dimensions



- A = Cabinet Width
- B = Cabinet Depth
- C = Bottom Opening Width is cabinet width less 1"
- D = Bottom Opening Depth is cabinet depth less .5"
- E = Top Opening Width is cabinet width less 1.5"
- F = Top Opening Depth is cabinet depth less 1.5"
- G = Cabinet Height (not including .75" duct flange)

	Width		Depth	Height	
	1/4" increments		1/2" increments		
	Up/Downflow	Multi-position		Up/Downflow	Multi-position
HA01*18	13.25" - 20.00"	13.50" - 20.25"	20.50" - 21.50"	12.5"	16.5"
HA01*24					
HA02*18	13.25" - 20.00"	13.50" - 20.25"	20.50" - 21.50"	16.5"	16.5"
HA02*24					
HA02*30					
HA03*24	13.25" - 24.50"	13.50" - 24.50"	20.50" - 21.50"	16.5"	16.5"
HA03*30					
HA03*36					
HA04*30	13.25" - 26.75"	13.50" - 26.75"	20.50" - 21.50"	18.5"	20.5"
HA04*36					
HA04*42					
HA05*30	13.25" - 26.75"	13.50" - 26.75"	20.50" - 21.50"	20.5"	20.5"
HA05*36					
HA05*42					
HA05*48					
HA06*36	14.25" - 26.75"	14.50" - 26.75"	20.50" - 21.50"	25.5"	25.5"
HA06*42					
HA06*48					
HA07*36	**14.25" - 26.75"	**14.50" - 26.75"	20.50" - 21.50"	25.5"	25.5"
HA07*42	**15.75" - 26.75"	**16.00" - 26.75"			
HA07*48	17.25" - 26.75"	17.50" - 26.75"			
HA07*60	20.25" - 26.75"	20.50" - 26.75"			
HA08*18	13.25" - 17.50"	13.50" - 17.75"	20.50" - 21.50"	12.5"	16.5"
HA08*24					
HA09*18	13.25" - 21.00"	13.50" - 21.25"	20.50" - 21.50"	16.5"	16.5"
HA09*24					
HA09*30					
HA10*24	13.25" - 21.00"	13.50" - 21.00"	20.50" - 21.50"	16.5"	16.5"
HA10*30					
HA10*36					
HA11*36	14.25" - 26.75"	14.50" - 26.75"	20.50" - 21.50"	18.5"	20.5"
HA11*42					
HA12*36	14.25" - 26.75"	14.50" - 26.75"	20.50" - 21.50"	20.5"	20.5"
HA12*42					
HA12*48					

*Represents Metering Device. See Nomenclature.

**If cabinet width is 17" or less for upflow or 17.25" for multi-position, cabinet height must be 27.5".

Cased Dimensions (Cont.)

	Width		Depth	Height			
	1/4" increments		1/2" increments				
	Up/Downflow	Multi-position		Up/Downflow	Multi-position		
HA13*36	14.25" - 26.75"	14.50" - 26.75"	20.50" - 21.50"	****25.5"	****25.5"		
HA13*42	15.75" - 26.75"	16.00" - 26.75"					
HA13*48	17.25" - 26.75"	17.50" - 26.75"					
HA14*36	14.25" - 26.75"	14.50" - 26.75"	20.50" - 21.50"	25.5"	25.5"		
HA14*42	15.75" - 26.75"	16.00" - 26.75"					
HA14*48	17.25" - 26.75"	17.50" - 26.75"					
HA14*60	20.25" - 26.75"	20.50" - 26.75"					
HA15*36	**14.25" - 26.75"	**14.50" - 26.75"	20.50" - 21.50"	25.5"	25.5"		
HA15*42	**15.75" - 26.75"	**16.00" - 26.75"					
HA15*48	17.25" - 26.75"	17.50" - 26.75"					
HA15*60	20.25" - 26.75"	20.50" - 26.75"					
HA91*42	25.50" - 26.75"	25.75" - 26.75"	21.00" - 21.50"	25.5"	29.5"		
HA91*48							
HA91*60							
HE20*18	13.25" - 20.00"	13.50" - 20.25"	20.50" - 21.50"	12.5"	16.5"		
HE20*24							
HE21*18	13.25" - 20.00"	13.50" - 20.25"	20.50" - 21.50"	16.5"	16.5"		
HE21*24							
HE21*30							
HE22*24	13.25" - 24.50"	13.50" - 24.50"	20.50" - 21.50"	16.5"	16.5"		
HE22*30							
HE22*36						14.25" - 24.50"	14.50" - 24.50"
HE23*24	13.25" - 26.75"	13.50" - 26.75"	20.50" - 21.50"	18.5"	20.5"		
HE23*30							
HE23*36						14.25" - 26.75"	14.50" - 26.75"
HE23*42						15.75" - 26.75"	16.00" - 26.75"
HE24*36	14.25" - 21.00"	14.50" - 21.25"	20.50" - 21.50"	20.5"	20.5"		
HE24*42	15.75" - 26.75"	16.00" - 26.75"					
HE24*48	17.25" - 26.75"	17.50" - 26.75"					
HE25*36	14.25" - 21.00"	14.50" - 21.25"	20.50" - 21.50"	25.5"	25.5"		
HE25*42	15.75" - 26.75"	16.00" - 26.75"					
HE25*48	17.25" - 26.75"	17.50" - 26.75"					
HE26*42	15.75" - 26.75"	16.00" - 26.75"	20.50" - 21.50"	25.5"	25.5"		
HE26*48	17.25" - 26.75"	17.50" - 26.75"					
HE26*60	20.25" - 26.75"	20.50" - 26.75"					
HE27*42	**15.75" - 26.75"	**16.00" - 26.75"	20.50" - 21.50"	25.5"	25.5"		
HE27*48	17.25" - 26.75"	17.50" - 26.75"					
HE27*60	20.25" - 26.75"	20.50" - 26.75"					
HE30*18	13.25" - 17.50"	13.50" - 17.75"	20.50" - 21.50"	12.5"	16.5"		
HE30*24							
HE31*18	13.25" - 21.00"	13.50" - 21.25"	20.50" - 21.50"	16.5"	16.5"		
HE31*24							
HE31*30							
HE32*24	13.25" - 21.00"	13.50" - 21.00"	20.50" - 21.50"	16.5"	16.5"		
HE32*30							
HE32*36						14.25" - 21.00"	14.50" - 21.00"

*Represents Metering Device. See Nomenclature.

**If cabinet width is 17" or less for upflow or 17.25" for multi-position, cabinet height must be 27.5".

****Available in 22.5" height only with H,R & T models.

Cased Dimensions (Cont.)

	Width		Depth	Height	
	1/4" increments		1/2" increments		
	Up/Downflow	Multi-position		Up/Downflow	Multi-position
HE33*24	14.25" - 24.50"	14.50" - 24.50"	20.50" - 21.50"	18.5"	20.5"
HE33*30		14.50" - 24.50"			
HE33*36		14.50" - 24.50"			
HE34*30	14.25" - 26.75"	14.50" - 26.75"	20.50" - 21.50"	20.5"	20.5"
HE34*36	14.25" - 26.75"	14.50" - 26.75"			
HE34*42	15.75" - 26.75"	16.00" - 26.75"			
HE35*36	14.25" - 26.75"	14.50" - 26.75"	20.50" - 21.50"	****25.5"	****25.5"
HE35*42	15.75" - 26.75"	16.00" - 26.75"			
HE35*48	17.25" - 26.75"	17.50" - 26.75"			
HE36*36	14.25" - 26.75"	14.50" - 26.75"	20.50" - 21.50"	25.5"	25.5"
HE36*42	15.75" - 26.75"	16.00" - 26.75"			
HE36*48	17.25" - 26.75"	17.50" - 26.75"			
HE36*60	20.25" - 26.75"	20.50" - 26.75"			
HE37*36	**14.25" - 26.75"	**14.50" - 26.75"	20.50" - 21.50"	25.5"	25.5"
HE37*42	**15.75" - 26.75"	**16.00" - 26.75"			
HE37*48	17.25" - 26.75"	17.50" - 26.75"			
HE37*60	20.25" - 26.75"	20.50" - 26.75"			
HE41*42	25.50" - 26.75"	25.75" - 26.75"	20.50" - 21.50"	25.5"	29.5"
HE41*48					
HE41*60					
HE43*36	25.50" - 26.75"	25.75" - 26.75"	20.50" - 21.50"	27.5"	29.5"
HE43*42					
HE43*48					
HE43*60					
HE47*24	17.25" - 21.00"	17.50" - 21.00"	20.50" - 21.50"	29.5"	29.5"
HE47*30					
HE47*36					
HE48*36	***14.50" - 26.75"	***14.75" - 26.75"	20.50" - 21.50"	27.5"	27.5"
HE48*42	17.25" - 26.75"	17.50" - 26.75"			
HE48*48	17.25" - 26.75"	17.50" - 26.75"			
HE48*60	20.25" - 26.75"	20.50" - 26.75"			
HE49*42	20.75" - 26.75"	21.00" - 26.75"	20.50" - 21.50"	27.5"	27.5"
HE49*48					
HE49*60					
HE50*42	20.75" - 26.75"	21.00" - 26.75"	20.50" - 21.50"	27.5"	27.5"
HE50*48					
HE50*60					
HE51*42	20.75" - 26.75"	21.00" - 26.75"	20.50" - 21.50"	31.5"	31.5"
HE51*48					
HE51*60					
HE54*42	20.50" - 26.75"	20.50" - 26.75"	20.50" - 21.50"	31.5"	31.5"
HE54*48					
HE54*60					
HE55*42	20.50" - 26.75"	20.50" - 26.75"	20.50" - 21.50"	31.5"	31.5"
HE55*48					
HE55*60					
HE57*24	20.75" - 26.75"	21.00" - 26.75"	20.50" - 21.50"	31.5"	31.5"
HE57*30					
HE57*36					

*Represents Metering Device. See Nomenclature.

**If cabinet width is 17" or less for upflow or 17.25" for multi-position, cabinet height must be 27.5".

***If cabinet width is 17" or less for upflow or 17.25" for multi-position, cabinet height must be 29.5".

****Available in 22.5" height only with H,R & T models.

Airflow Data

	CFM	Face Velocity ⁽¹⁾ (fpm)	Wet Coil Air Pressure Drop (" WC)						
			Width						
			13"	14"	15.5"	17"	20"	20.5"	25.12"
HA01*18	600	270	.16	.14	.12	.09	--	--	--
HA01*24	800	360	.21	.19	.16	.10	--	--	--
HA02*18	600	224	.15	.13	.10	.09	--	--	--
HA02*24	800	299	.18	.15	.13	.12	--	--	--
HA02*30	1000	375	.22	.20	.18	.17	--	--	--
HA03*24	800	257	.17	.13	.10	.09	--	--	--
HA03*30	1000	321	.23	.17	.15	.14	--	--	--
HA03*36	1200	386	--	.23	.20	.19	--	--	--
HA04*30	1000	281	.21	.16	.14	.12	.09	--	--
HA04*36	1200	337	--	.22	.20	.17	.16	--	--
HA04*42	1400	393	--	--	.26	.22	.20	--	--
HA05*30	1000	250	.19	.14	.13	.10	.09	--	--
HA05*36	1200	300	--	.21	.17	.17	.15	--	--
HA05*42	1400	350	--	--	.25	.20	.18	--	--
HA05*48	1600	400	--	--	--	.26	.22	--	--
HA06*36	1200	270	--	.19	.18	.16	.12	--	--
HA06*42	1400	315	--	--	.24	.19	.15	--	--
HA06*48	1600	360	--	--	--	.24	.20	--	--
HA07*36	1200	225	--	.18	.18	.14	.06	--	--
HA07*42	1400	263	--	--	.23	.20	.16	--	--
HA07*48	1600	300	--	--	--	.23	.19	--	--
HA07*60	2000	375	--	--	--	--	.25	--	--
HA08*18	600	270	.20	.18	.15	--	--	--	--
HA08*24	800	360	.25	.20	.18	--	--	--	--
HA09*18	600	224	.19	.14	.11	.09	--	--	--
HA09*24	800	299	.22	.17	.13	.12	--	--	--
HA09*30	1000	375	.25	.21	.17	.16	--	--	--
HA10*24	800	257	.17	.13	.11	.09	--	--	--
HA10*30	1000	321	.23	.17	.15	.12	--	--	--
HA10*36	1200	386	--	.23	.21	.19	--	--	--
HA11*36	1200	337	--	.22	.20	.16	.15	--	--
HA11*42	1400	393	--	--	.26	.20	.19	--	--
HA12*36	1200	300	--	.21	.19	.17	.09	--	--
HA12*42	1400	350	--	--	.25	.20	.16	--	--
HA12*48	1600	400	--	--	--	.26	.22	--	--
HA13*36	1200	270	--	.19	.18	.16	.12	--	--
HA13*42	1400	315	--	--	.24	.19	.17	--	--
HA13*48	1600	360	--	--	--	.24	.23	--	--
HA14*36	1200	245	--	.18	.18	.14	.06	--	--
HA14*42	1400	286	--	--	.23	.20	.16	--	--
HA14*48	1600	327	--	--	--	.23	.19	--	--
HA14*60	2000	409	--	--	--	--	.24	--	--
HA15*36	1200	225	--	.16	.18	.14	.06	--	--
HA15*42	1400	262	--	--	.23	.20	.16	--	--
HA15*48	1600	300	--	--	--	.23	.19	--	--
HA15*60	2000	375	--	--	--	--	.24	--	--

*Represents Metering Device. See Nomenclature.

(1) Face velocity above 350 ft/min. is not recommended for downflow or counterflow applications due to potential water blow-off.

Airflow Data (Cont.)

	CFM	Face Velocity ⁽¹⁾ (fpm)	Wet Coil Air Pressure Drop (" WC)						
			Width						
			13"	14"	15.5"	17"	20"	20.5"	25.12"
HA91*42	1400	200	--	--	--	--	--	--	0.22
HA91*48	1600	229	--	--	--	--	--	--	0.26
HA91*60	2000	286	--	--	--	--	--	--	0.36
HE20*18	600	270	.21	.19	.17	--	--	--	--
HE20*24	800	360	.26	.24	.21	--	--	--	--
HE21*18	600	224	.20	.18	.15	.14	--	--	--
HE21*24	800	299	.23	.20	.18	.17	--	--	--
HE21*30	1000	375	.27	.25	.23	.22	--	--	--
HE22*24	800	257	.22	.18	.15	.14	--	--	--
HE22*30	1000	321	.28	.22	.20	.19	--	--	--
HE22*36	1200	386	--	.28	.25	.24	--	--	--
HE23*24	800	225	.21	.16	.15	.12	.11	--	--
HE23*30	1000	281	.26	.21	.19	.17	.15	--	--
HE23*36	1200	337	--	.27	.25	.22	.20	--	--
HE23*42	1400	393	--	--	.31	.27	.24	--	--
HE24*36	1200	300	--	.29	.25	.20	.19	--	--
HE24*42	1400	350	--	--	.30	.25	.21	--	--
HE24*48	1600	400	--	--	--	.31	.29	--	--
HE25*36	1200	270	--	.28	.26	.19	.18	--	--
HE25*42	1400	315	--	--	.29	.24	.22	--	--
HE25*48	1600	360	--	--	--	.29	.28	--	--
HE26*42	1400	286	--	--	.29	.26	.22	--	--
HE26*48	1600	327	--	--	--	.29	.25	--	--
HE26*60	2000	409	--	--	--	--	.29	--	--
HE27*42	1400	263	--	--	.28	.25	.21	--	--
HE27*48	1600	300	--	--	--	.28	.24	--	--
HE27*60	2000	375	--	--	--	--	.29	--	--
HE30*18	600	270	.28	.26	.23	--	--	--	--
HE30*24	800	360	.30	.28	.26	--	--	--	--
HE31*18	600	224	.27	.22	.19	.18	--	--	--
HE31*24	800	299	.30	.25	.21	.20	--	--	--
HE31*30	1000	375	.30	.29	.25	.24	--	--	--
HE32*24	800	257	.25	.21	.19	.17	--	--	--
HE32*30	1000	321	.30	.25	.23	.20	--	--	--
HE32*36	1200	386	--	.30	.29	.27	--	--	--
HE33*24	800	225	.24	.19	.18	.17	--	--	--
HE33*30	1000	281	.29	.24	.22	.19	--	--	--
HE33*36	1200	337	--	.30	.28	.24	--	--	--
HE34*30	1000	250	.27	.22	.21	.18	.13	--	--
HE34*36	1200	300	--	.29	.27	.25	.17	--	--
HE34*42	1400	350	--	--	.30	.28	.26	--	--

*Represents Metering Device. See Nomenclature.

(1) Face velocity above 350 ft/min. is not recommended for downflow or counterflow applications due to potential water blow-off.

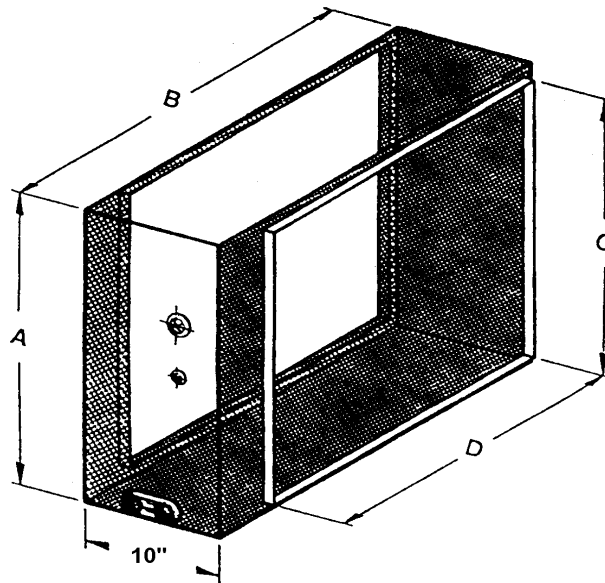
Airflow Data (Cont.)

	CFM	Face Velocity ⁽¹⁾ (fpm)	Wet Coil Air Pressure Drop (" WC)						
			Width						
			13"	14"	15.5"	17"	20"	20.5"	25.12"
HE35*36	1200	270	--	.27	.26	.24	.20	--	--
HE35*42	1400	315	--	--	.30	.27	.25	--	--
HE35*48	1600	360	--	--	--	.30	.30	--	--
HE36*36	1200	245	--	.26	.26	.22	.14	--	--
HE36*42	1400	286	--	--	.30	.25	.24	--	--
HE36*48	1600	327	--	--	--	.28	.27	--	--
HE36*60	2000	409	--	--	--	--	.30	--	--
HE37*36	1200	225	--	.24	.26	.22	.14	--	--
HE37*42	1400	262	--	--	.30	.28	.24	--	--
HE37*48	1600	300	--	--	--	.30	.27	--	--
HE37*60	2000	375	--	--	--	--	.29	--	--
HE41*42	1400	200	--	--	--	--	--	--	.28
HE41*48	1600	229	--	--	--	--	--	--	.29
HE41*60	2000	286	--	--	--	--	--	--	.30
HE43*36	1200	158	--	--	--	--	--	--	.14
HE43*42	1400	185	--	--	--	--	--	--	.18
HE43*48	1600	211	--	--	--	--	--	--	.23
HE43*60	2000	264	--	--	--	--	--	--	.33
HE47*24	800	138	--	--	--	.10	--	--	--
HE47*30	1000	173	--	--	--	.13	--	--	--
HE47*36	1200	208	--	--	--	.15	--	--	--
HE48*36	1200	208	--	.27	.25	.21	.13	--	--
HE48*42	1400	242	--	--	.29	.27	.23	--	--
HE48*48	1600	277	--	--	--	.29	.26	--	--
HE48*60	2000	346	--	--	--	--	.28	--	--
HE49*42	1400	263	--	--	--	--	--	.28	--
HE49*48	1600	300	--	--	--	--	--	.29	--
HE49*60	2000	375	--	--	--	--	--	.32	--
HE50*42	1400	242	--	--	--	--	--	.27	--
HE50*48	1600	277	--	--	--	--	--	.28	--
HE50*60	2000	346	--	--	--	--	--	.30	--
HE51*42	1400	225	--	--	--	--	--	.25	--
HE51*48	1600	257	--	--	--	--	--	.27	--
HE51*60	2000	322	--	--	--	--	--	.29	--
HE54*42	1400	225	--	--	--	--	.17	--	--
HE54*48	1600	257	--	--	--	--	.21	--	--
HE54*60	2000	322	--	--	--	--	.30	--	--
HE55*42	1400	210	--	--	--	--	.21	--	--
HE55*48	1600	240	--	--	--	--	.29	--	--
HE55*60	2000	300	--	--	--	--	.35	--	--
HE57*24	800	138	--	--	--	--	--	.08	--
HE57*30	1000	173	--	--	--	--	--	.12	--
HE57*36	1200	208	--	--	--	--	--	.16	--

*Represents Metering Device. See Nomenclature.

(1) Face velocity above 350 ft/min. is not recommended for downflow or counterflow applications due to potential water blow-off.

"HH" Coil Dimensions



"HH" Model	Overall		Plenum	
	A	B	C	D
44	18 3/4"	23"	17 1/4"	18 5/8"
40 & 45		27"		22 5/8"
41 & 46		31"		26 5/8"
42 & 47		35"		30 5/8"
43 & 48		41"		36 5/8"
49		47"		42 5/8"
50, 51, 56 & 57	22 3/4"	23"	21 1/4"	18 5/8"
52 & 58		27"		22 5/8"
53 & 59		31"		26 5/8"
54 & 60		35"		30 5/8"
55 & 61		41"		36 5/8"
62 & 66		47"		42 5/8"

"HH" Airflow Data

"HH" Model	Wet Coil Air Pressure Drop (inches H ₂ O)							
	CFM							
	600	800	1000	1200	1400	1600	2000	2400
44	.17	.20	.23	-	-	-	-	-
40, 45	.16	.19	.22	.25	-	-	-	-
41, 46	-	.17	.20	.22	.24	.25	-	-
42, 47	-	-	.17	.20	.23	.26	-	-
43, 48	-	-	-	.16	.18	.22	.27	-
49	-	-	-	-	.17	.21	.25	-
50, 56	.19	.22	-	-	-	-	-	-
51, 57	.17	.19	.22	.25	-	-	-	-
52, 58	-	.18	.20	.22	.24	.26	-	-
53, 59	-	-	.18	.20	.23	.26	-	-
54, 60	-	-	-	.17	.18	.23	.27	-
55, 61	-	-	-	-	.19	.21	.25	-
62	-	-	-	-	.17	.19	.23	.27
66	-	-	-	-	.22	.24	.28	.32

Coil Weights

A-Coil (lbs)

Coil	Uncased	Cased*								Multi-position
		Height								
		12.50"	16.50"	18.50"	20.50"	25.50"	27.50"	29.50"	31.50"	
HA01	17	25	--	--	--	--	--	--	--	30
HA02	19	27	29	--	--	--	--	--	--	35
HA03	22	--	32	--	--	--	--	--	--	37
HA04	24	--	34	36	--	--	--	--	--	40
HA05	27	--	--	39	40	--	--	--	--	45
HA06	30	--	--	--	42	44	--	--	--	50
HA07	34	--	--	--	--	50	--	--	--	55
HA08	21	27	--	--	--	--	--	--	--	33
HA09	23	31	33	--	--	--	--	--	--	37
HA10	26	--	36	38	--	--	--	--	--	44
HA11	30	--	40	42	--	--	--	--	--	48
HA12	33	--	--	45	46	--	--	--	--	52
HA13	36	--	--	--	48	50	--	--	--	56
HA14	38	--	--	--	--	54	--	--	--	60
HA15	42	--	--	--	--	58	--	--	--	64
HA91	54	--	--	--	--	70	--	--	--	76
HE20	18	26	--	--	--	--	--	--	--	31
HE21	20	28	30	--	--	--	--	--	--	35
HE22	23	--	33	--	--	--	--	--	--	38
HE23	26	--	36	38	--	--	--	--	--	45
HE24	27	--	--	39	40	--	--	--	--	47
HE25	32	--	--	--	44	46	--	--	--	54
HE26	33	--	--	--	45	47	--	--	--	54
HE27	36	--	--	--	--	52	--	--	--	57
HE30	22	29	--	--	--	--	--	--	--	36
HE31	24	32	34	--	--	--	--	--	--	38
HE32	28	--	38	40	--	--	--	--	--	46
HE33	32	--	40	44	--	--	--	--	--	50
HE34	35	--	--	47	48	--	--	--	--	56
HE35	39	--	--	--	51	53	--	--	--	60
HE36	41	--	--	--	--	57	--	--	--	64
HE37	45	--	--	--	--	61	--	--	--	65
HE41	58	--	--	--	--	75	--	--	--	81
HE43	62	--	--	--	--	--	78	--	--	84
HE47	50	--	--	--	--	--	--	66	--	72
HE48	44	--	--	--	--	--	60	--	--	66
HE49	47	--	--	--	--	--	63	--	--	69
HE50	50	--	--	--	--	--	66	--	--	72
HE51	55	--	--	--	--	--	--	--	73	79
HE54	50	--	--	--	--	--	--	--	70	75
HE55	50	--	--	--	--	--	--	--	70	75
HE57	50	--	--	--	--	--	66	--	--	72

*based on 21" cabinet depth

HH Slab-Coil (lbs)

Coil	Weight
HH40	30
HH41	34
HH42	39
HH43	42
HH44	32
HH45	36
HH46	39
HH47	43

Coil	Weight
HH48	48
HH49	53
HH50	30
HH51	31
HH52	36
HH53	38
HH54	43
HH55	48

Coil	Weight
HH56	34
HH57	36
HH58	41
HH59	44
HH60	50
HH61	57
HH62	61
HH66	75

Pallet Quantities

Cased A-Coil Pallet Quantities								
Cabinet Width	Cabinet Height							
	12.50"	16.50"	18.50"	20.50"	25.50"	27.50"	29.50"	31.50"
13.25"	18	12	12	6	6	--	--	--
13.50"	18	12	12	6	6	--	--	--
13.75"	18	12	12	6	6	--	--	--
14.00"	18	12	12	6	6	--	--	--
14.25"	18	12	12	6	6	--	--	--
14.50"	18	12	12	6	6	--	--	--
14.75"	18	12	12	4	4	--	--	--
15.00"	18	12	12	4	4	--	--	--
15.25"	18	12	12	4	4	--	--	--
15.50"	18	12	12	4	4	--	--	--
15.75"	18	12	12	4	4	4	--	--
16.00"	18	12	12	4	4	4	--	--
16.25"	18	12	12	4	4	4	--	--
16.50"	18	12	12	4	4	4	--	--
16.75"	8	8	8	4	4	4	--	--
17.00"	8	8	8	4	4	4	--	--
17.25"	8	8	8	4	4	4	4	--
17.50"	8	8	8	4	4	4	4	--
17.75"	8	8	8	4	4	4	4	--
18.00"	8	8	8	4	4	4	4	--
18.25"	--	8	8	4	4	4	4	--
18.50"	--	8	8	4	4	4	4	--
18.75"	--	8	8	4	4	4	4	--
19.00"	--	8	8	4	4	4	4	--
19.25"	--	8	8	4	4	4	4	--
19.50"	--	8	8	4	4	4	4	--
19.75"	--	8	8	4	4	4	4	--
20.00"	--	8	8	4	4	4	4	--
20.25"	--	8	8	4	4	4	4	--
20.50"	--	8	8	4	4	4	4	--
20.75"	--	8	8	4	4	4	4	4
21.00"	--	8	8	4	4	4	4	4
21.25"	--	8	8	4	4	4	4	4
21.50"	--	8	8	4	4	4	4	4
21.75"	--	8	8	4	4	4	4	4
22.00"	--	8	8	4	4	4	4	4
22.25"	--	8	8	4	4	4	4	4
22.50"	--	8	8	4	4	4	4	4
22.75"	--	8	8	4	4	4	4	4
23.00"	--	8	8	4	4	4	4	4
23.25"	--	8	8	4	4	4	4	4
23.50"	--	8	8	4	4	4	4	4
23.75"	--	8	8	4	4	4	4	4
24.00"	--	8	8	4	4	4	4	4
24.25"	--	8	8	4	4	4	4	4
24.50"	--	8	8	4	4	4	4	4
24.75"	--	4	4	4	4	4	4	4
25.00"	--	4	4	4	4	4	4	4
25.25"	--	4	4	4	4	4	4	4
25.50"	--	4	4	4	4	4	4	4
25.75"	--	4	4	4	4	4	4	4
26.00"	--	4	4	4	4	4	4	4
26.25"	--	2	2	2	2	2	2	2
26.50"	--	2	2	2	2	2	2	2
26.75"	--	2	2	2	2	2	2	2

Uncased A-Coil Pallet Quantities											
Drain Pan Width	Coil Height										
	11"	13"	15"	17"	19"	21"	23"	25"	27"	29"	31"
13.00"	18	18	12	12	12	6	6	6	6	--	--
14.00"	18	18	12	12	12	6	6	6	6	--	--
15.50"	18	18	12	12	12	4	4	4	4	--	--
17.00"	8	8	8	8	8	4	4	4	4	--	--
19.5"	--	--	--	--	--	--	--	--	4	--	--
20.00"	--	--	--	8	8	4	4	4	4	--	4
20.5"	--	--	--	--	--	--	--	--	4	4	--
25.12"	--	--	--	--	--	--	--	4	4	--	--

HH Slab-Coil Pallet Quantities

Model	Qty.
HH40	8
HH41	8
HH42	8
HH43	8
HH44	8
HH45	8
HH46	8
HH47	8
HH48	8
HH49	6
HH50	6
HH51	6

Model	Qty.
HH52	4
HH53	4
HH54	4
HH55	3
HH56	6
HH57	6
HH58	4
HH59	4
HH60	4
HH61	3
HH62	3
HH66	3



Advanced Distributor Products[®]

Solutions for Your needs

2175 West Park Place Boulevard
Stone Mountain, GA. 30087
www.adpnow.com
adp.feedback@adpnow.com