



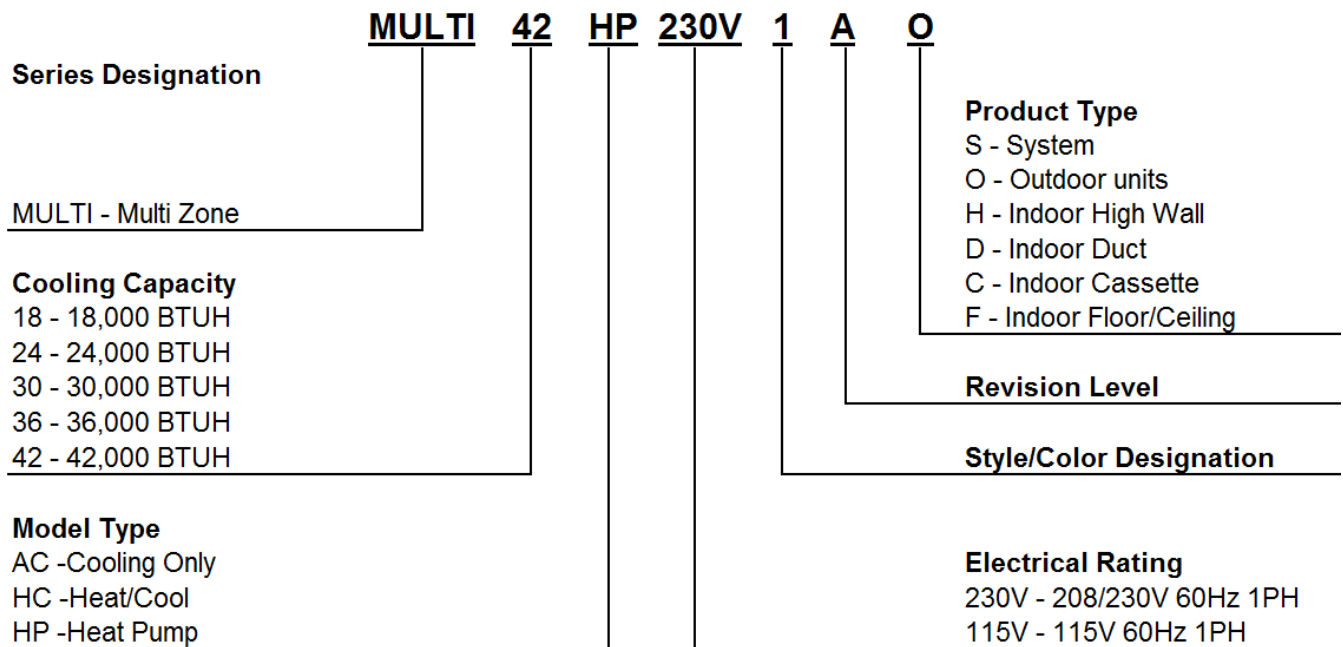
# Table of Contents

Model Number	Description	Page
Nomenclature	Part Number Nomenclature Chart	2
MULTI18HP230V1AO	Heat Pump 18,000 BTUH 230v Outdoor Unit	3-4
MULTI24HP230V1AO	Heat Pump 24,000 BTUH 230v Outdoor Unit	5-6
MULTI30HP230V1AO	Heat Pump 30,000 BTUH 208/230v Outdoor Unit	7-8
MULTI36HP230V1AO	Heat Pump 36,000 BTUH 208/230v Outdoor Unit	9-10
MULTI42HP230V1AO	Heat Pump 42,000 BTUH 208/230v Outdoor Unit	11-12

## Product Catalog Number-Nomenclature

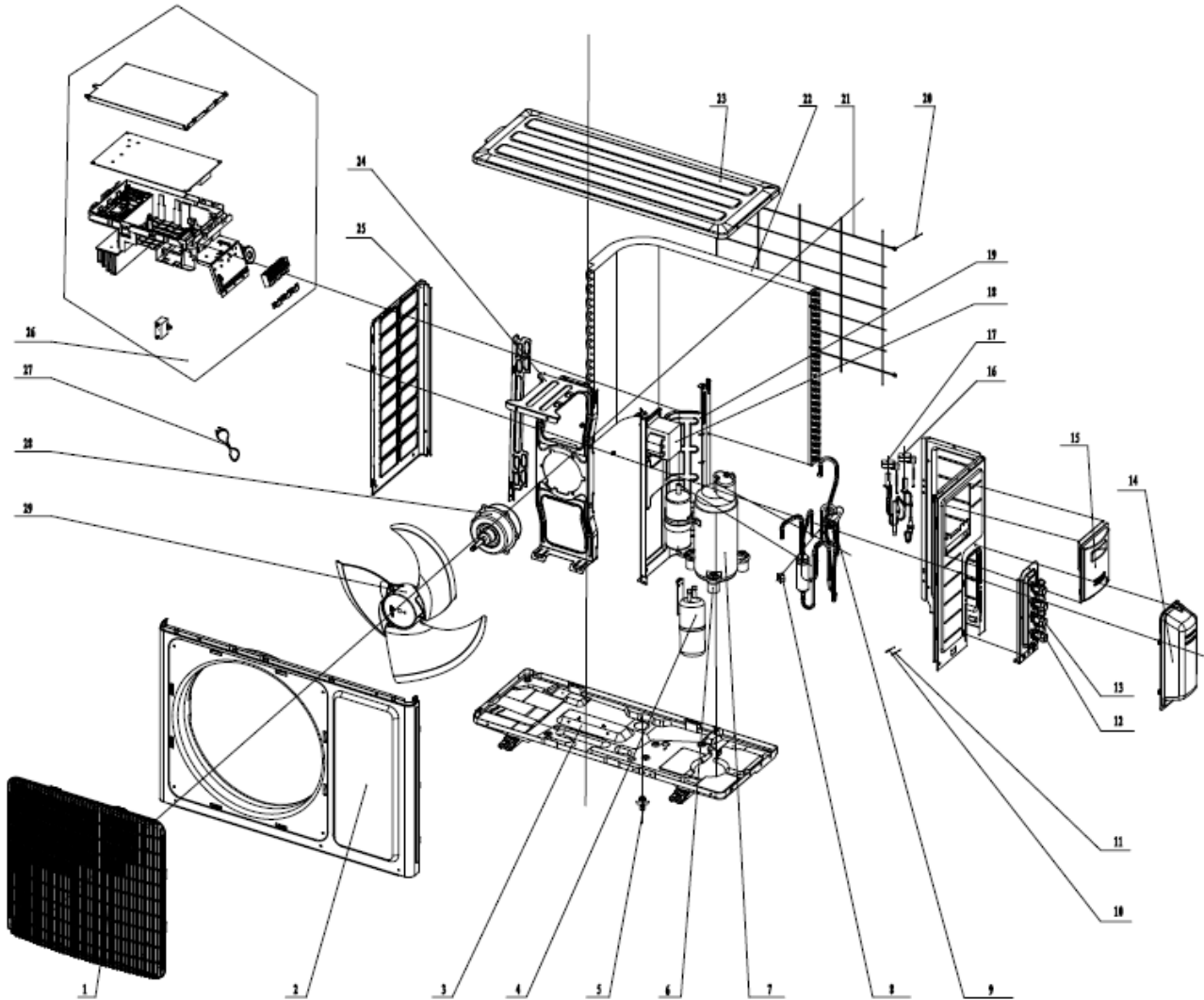
(2014 and later)

Example: **MULTI42HP230V1AO**



# MULTI18HP230V1AO

## 18,000 BTUH 230v Outdoor Unit



**MULTI18HP230V1AO**  
**18,000 BTUH 230v Outdoor Unit**  
**Product Code: CB228W01600\_K78371**

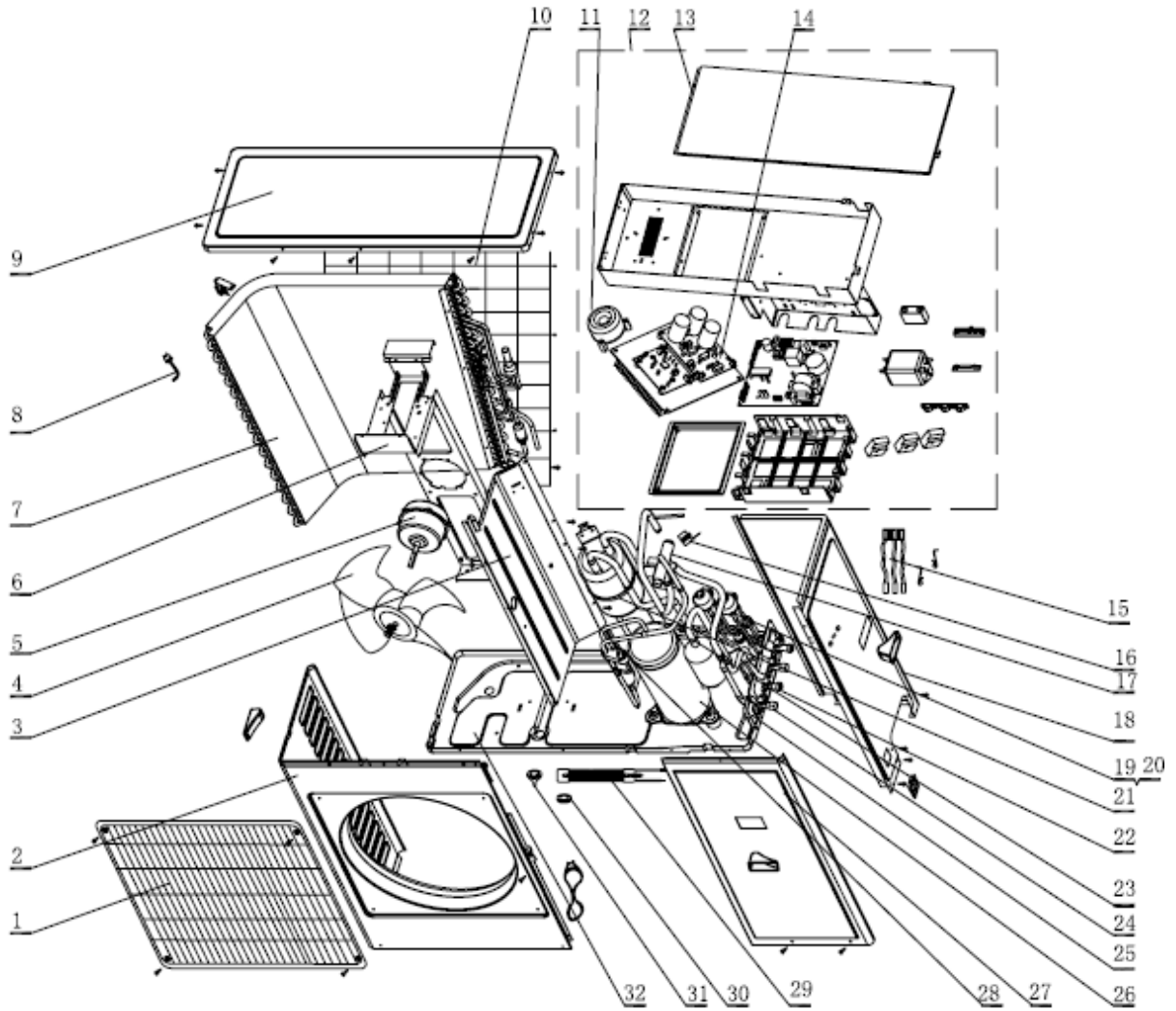
NO.	Part Code	Part Description	Qty
1	01473065	Front Grille	1
2	0143303402P	Cabinet	1
3	01205168P	Chassis Sub-Assy	1
4	07225017	Gas-Liquid Separator Assy	1
5	26113009	Drain Connector	1
Not Shown	06813401	Drain Hole Plug	3
6	76715021	Compressor Grommet	3
7	00205262	Compressor and Fittings	1
Not Shown	00183043	Compressor Overload Protector(External)	1
Not Shown	7651300403	Compressor Crankcase Hater	1
Not Shown	430004032	4-Way Valve	1
8	4300040045	4-Way Valve Solenoid Coil	1
9	03073129	4-Way Valve Assy	1
10	3900007301	Port B Temperature Sensor Assembly***	1
11	39000073	Port A Temperature Sensor Assembly***	1
12	071302391	3/8-in Gas/Suction Valve (Port A & B)	2
13	07130239	1/4-in Liquid Line Valve (Port A & B)	2
15	02113038	Big Handle	1
Not Shown	07130369	Electronic Expansion Valve (Port A & B)	1
16	4300008401	Port A Electronic Expansion Valve Solenoid Coil	1
17	43000084	Port B Electronic Expansion Valve Solenoid Coil	1
18	43120130	PFC Inductance	1
19	01233185	Clapboard Sub-Assy	1
20	3900030901	Temperature Sensor Assembly**	1
21	01473060	Rear Grille	1
22	01163888_K78371	Condenser Coil Assy	1
23	01253034P	Top Cover	1
24	0170339802	Motor Support Sub-Assy	1
25	01303169P	Left Side Plate	1
26	02603707	Electric Box Assy	1
Not Shown	30138922	Main Control Board	1
Not Shown	30033075	Filter Board (LB836A)	1
Not Shown	43120130	Reactor	1
28	1501316201	Fan Motor	1
29	10333016	Axial Flow Fan	1

\*\* Temperature Sensor Assembly contains Discharge, Coil, & Ambient sensors.

\*\*\* Temperature Sensor Assembly contains Port Discharge & Suction Tube sensors.

# MULTI24HP230V1AO

## 24,000 BTUH 230v Outdoor Unit



**MULTI24HP230V1AO**  
**24,000 BTUH 230v Outdoor Unit**  
**Product Code: CB228W01700\_K78371**

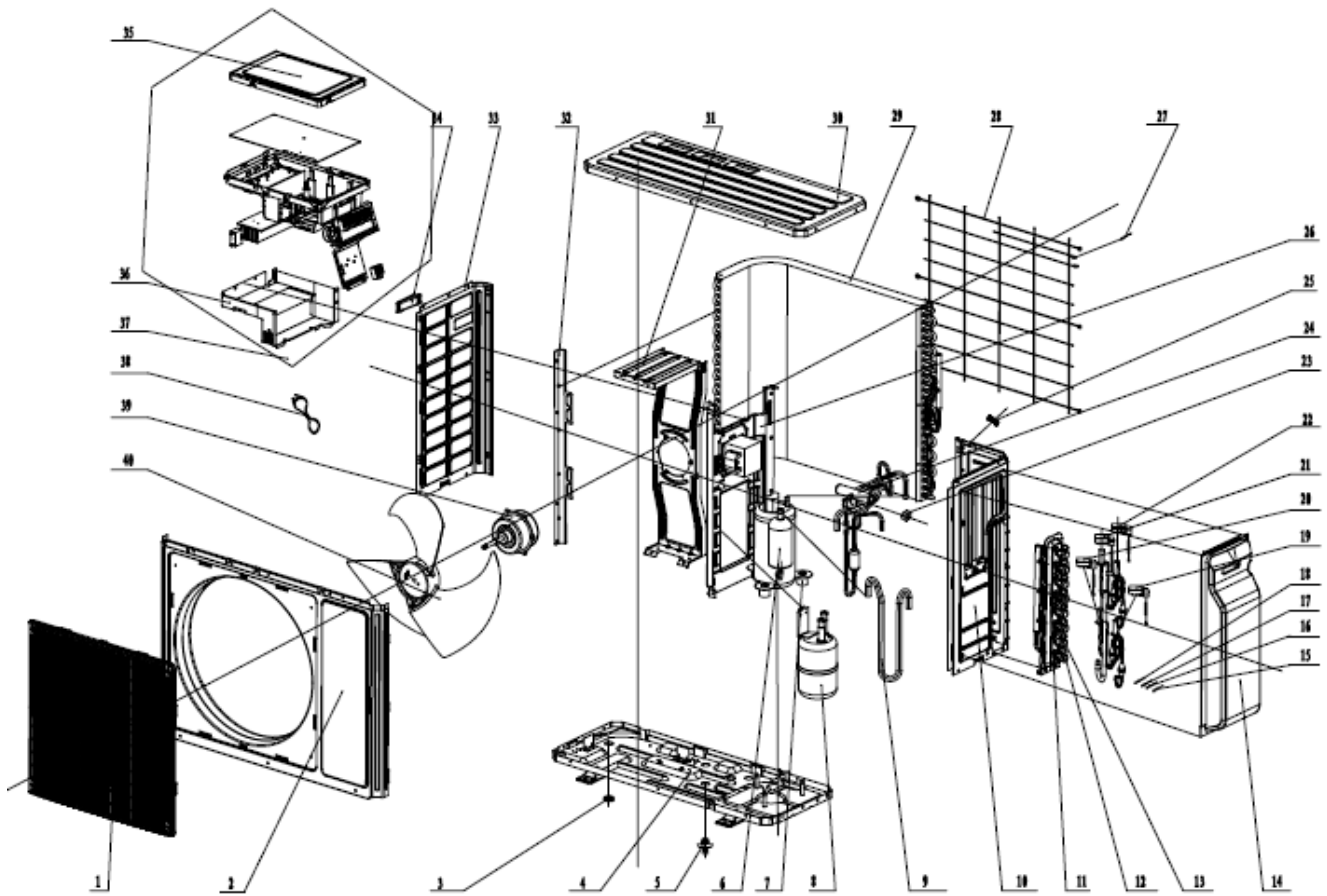
NO.	Part Code	Part Description	Qty
1	01473049	Front Grille	1
2	01433069	Cabinet Assy	1
Not Shown	01433047P	Cabinet	1
3	01233116	Clapboard Assy	1
4	10335008	Axial Flow Fan	1
5	1501506304	Fan Motor	1
6	0170512001	Motor Support Sub-Assy	1
7	01113710_K78371	Condenser Coil Assy	1
8	460200061	High Pressure Protect Switch	1
9	01255005P	Top Cover	1
10	01473043	Rear Grille	1
11	43120129	Reactor/PFC Inductance	1
12	0260370301	Electric Box Assy	1
13	02603217	Electric Box Cover Sub-Assy	1
Not Shown	301387101	Main Control Board	1
15	3900030901	Temperature Sensor Assembly**	1
Not Shown	430004032	4-Way Valve	1
16	4300040045	4-Way Valve Solenoid Coil	1
17	030152000034	4-Way Valve Assy	1
18	0130326801P	Right Side Plate	1
Not Shown	07130369	Electronic Expansion Valve (Port A, B & C)	3
19	07133456	Electronic Expansion Valve Assy	1
20	43000084	Port A Electronic Expansion Valve Solenoid Coil	1
Not Shown	4300008401	Port B Electronic Expansion Valve Solenoid Coil	1
Not Shown	4300008402	Port C Electronic Expansion Valve Solenoid Coil	1
21	07225017	Gas-Liquid Separator Assy	1
22	07130239	1/4-in Liquid Line Valve (Port A, B & C)	3
23	03723455	Suction/Inhalation Tube	1
24	071302391	3/8-in Gas/Suction Valve (Port A, B & C)	3
25	0710306601	Valve Support Assy	1
Not Shown	00185012	Compressor Overload Protector(External)	1
26	00105036	Compressor and Fittings	1
Not Shown	76710207	Compressor Grommets	3
27	01305093P	Left Side Plate	1
29	7651873215	Compressor Crankcase Heater	1
Not Shown	76518732	Base Pan Heater	1
30	06813401	Drain Hole Plug	3
31	06123401	Drain Connector	1
32	02803068P	Chassis Sub-Assy	1
Not Shown	39000073	Port A Temperature Sensor Assembly***	1
Not Shown	3900007301	Port B Temperature Sensor Assembly***	1
Not Shown	3900007302	Port C Temperature Sensor Assembly***	1
Not Shown	06643008	Adapter Pipes 3/8-in to 1/2-in	1

\*\* Temperature Sensor Assembly contains Discharge, Coil, & Ambient sensors.

\*\*\* Temperature Sensor Assembly contains Port Discharge & Suction Tube sensors.

# MULTI30HP230V1AO

## 30,000 BTUH 208/230v Outdoor Unit





# MULTI30HP230V1AO

## 30,000 BTUH 208/230v Outdoor Unit

Product Code: CB228W01800\_K78371

NO.	Part Code	Part Description	Qty
1	01473049	Front Grille	1
2	01433069	Cabinet Assy	1
3	06813401	Drainage Plug	3
4	02803068P	Chassis Sub-Assy	1
5	06123401	Drain Connector	1
Not Shown	7651873215	Compressor Crankcase Heater	1
6	00105036	Compressor and Fittings	1
Not Shown	00185012	Compressor Overload Protector(External)	1
Not Shown	460200061	High Pressure Protect Switch	1
7	76710207	Compressor Grommet	3
8	07225017	Gas-Liquid Separator Assy	1
9	03723455	Suction/Inhalation Tube	1
10	0130326801P	Right Side Plate	1
11	07133955	Valve Support Assy	1
12	071302391	3/8-in Gas/Suction Valve	4
13	07130239	1/4-in Liquid Line Valve	4
15	3900007303	Port D Temperature Sensor Assembly***	1
16	3900007302	Port C Temperature Sensor Assembly***	1
17	3900007301	Port B Temperature Sensor Assembly***	1
18	39000073	Port A Temperature Sensor Assembly***	1
Not Shown	07130369	Electronic Expansion Valve (Port A, B, C & D)	4
19	4300008403	Port A Electronic Expansion Valve Solenoid Coil	1
20	4300008402	Port B Electronic Expansion Valve Solenoid Coil	1
21	4300008401	Port C Electronic Expansion Valve Solenoid Coil	1
22	43000084	Port D Electronic Expansion Valve Solenoid Coil	1
Not Shown	430004032	4-Way Valve	1
23	4300040045	4-Way Valve Solenoid Coil	1
24	030152000034	4-Way Valve Assy	1
25	26115004	Wiring Clamp	1
27	3900030901	Temperature Sensors Assembly**	1
28	01473043	Rear Grille	1
29	01163875_K78371	Condenser Coil Assy	1
30	01255005P	Top Cover	1
31	0170512001	Motor Support Sub-Assy	1
32	01173415	Condenser Support Plate	1
33	01305093P	Left Side Plate	1
37	02603703	Electric Box Assy	1
Not Shown	301385711	Main Control Board	1
Not Shown	33010010	Capacitor CBB61	1
Not Shown	43120129	Reactor	1
39	1501506304	Fan Motor	1
40	10335008	Axial Flow Fan	1
Not Shown	06643008	Adapter Pipes 3/8-in to 1/2-in	3

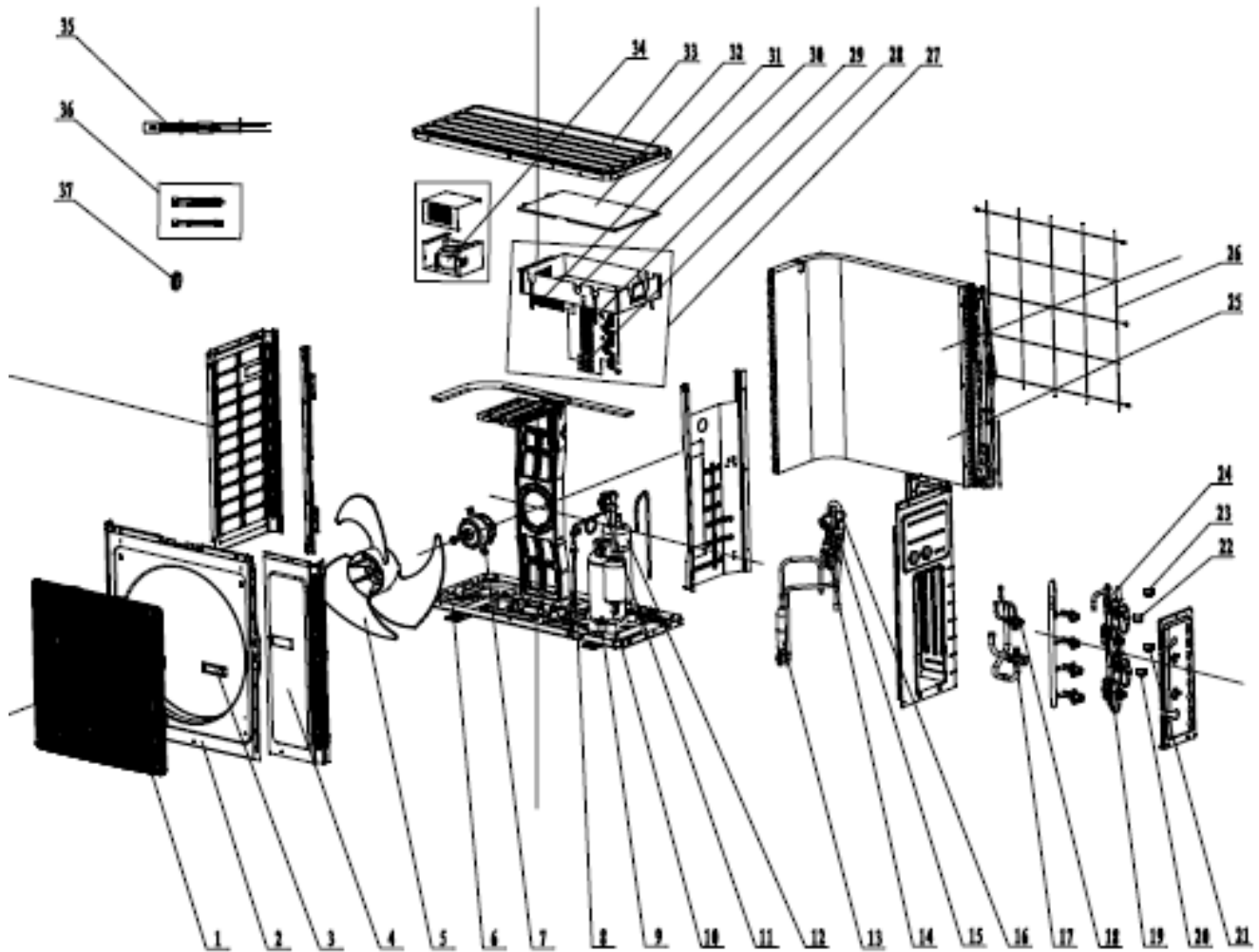
\*\* Temperature Sensor Assembly contains Discharge, Coil, & Ambient sensors.

\*\*\* Temperature Sensor Assembly contains Port Discharge & Suction Tube sensors.



# MULTI36HP230V1AO

## 36,000 BTUH 208/230v Outdoor Unit



**MULTI36HP230V1AO**  
**36,000 BTUH 208/230v Outdoor Unit**  
**Product Code: CN860W0031\_K78371**

NO.	Part Code	Part Description	Qty
1	01473050	Front Grille	1
2	0153501405	Front Panel Assy	1
3	26235401	Left Handle	1
4	01305086P	Front Side Plate	1
Not Shown	06813401	Drain Hole Plug	3
Not Shown	06123401	Drain Connector	1
5	10335013	Axial Flow Fan	1
6	01194100013P	Chassis Sub-Assy	1
7	15702802	Fan Motor	1
8	07415200002	Strainer	1
9	76710207	Compressor Grommet	3
10	00105036	Compressor and Fittings	1
Not Shown	00185012	Compressor Overload Protector(External)	1
11	4602001555	Low Pressure Protect Switch	1
Not Shown	04004100012	Capillary Sub-Assy	1
12	07225015	Gas-Liquid Separator	1
13	07424118	Oil Separator	1
14	4602001573	High Pressure Protect Switch	1
15	4602000902	High Pressure Protect Switch	1
16	43000411	4-Way Valve	1
17	066400111	3/8-in Gas/Suction Valve (Port A & B)	2
Not Shown	0664001110	1/2-in Gas/Suction Valve (Port C)	1
Not Shown	066400118	5/8-in Gas/Suction Valve (Port D)	1
18	066400119	1/4-in Liquid Line Valve	3
Not Shown	066400111	3/8-in Liquid Line Valve	1
Not Shown	39008072	Port D Temperature Sensor Assembly***	1
Not Shown	39008072	Port C Temperature Sensor Assembly***	1
Not Shown	39008072	Port B Temperature Sensor Assembly***	1
Not Shown	39008072	Port A Temperature Sensor Assembly***	1
19	07334447	Electronic Expansion Valve (Port A, B, C & D)	4
20	4304413235	Port D Electronic Expansion Valve Solenoid Coil	1
21	4304413236	Port C Electronic Expansion Valve Solenoid Coil	1
22	4304413237	Port B Electronic Expansion Valve Solenoid Coil	1
23	4304413238	Port A Electronic Expansion Valve Solenoid Coil	1
24	07212121	Strainer	1
25	01125200193	Condenser Coil Assy	1
26	01574100003	Rear Grille	1
27	01394100014	Electric Box Assy	1
28	42011242	Terminal Board	1
29	420111041	Terminal Board	4

## MULTI36HP230V1AO (Cont.)

### 36,000 BTUH 208/230v Outdoor Unit

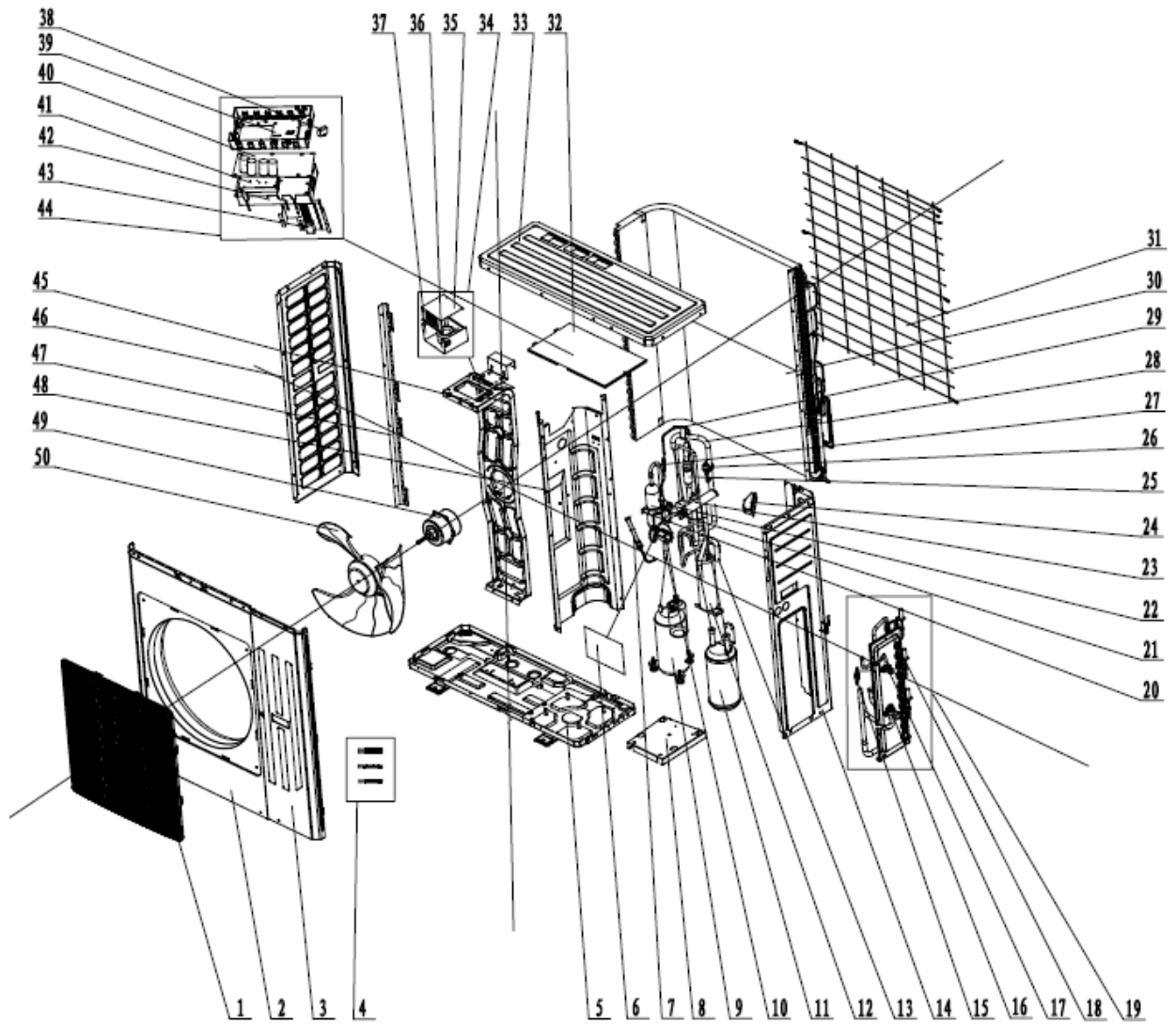
NO.	Part Code	Part Description	Qty
29	420111041	Terminal Board	4
30	30226000025	Main Control Board	1
31	49018029	Heat Sink/Radiator	1
32	01424263	Electric Box Cover	1
33	01255006P	Top Cover	1
34	43120011	Reactor/PFC Inductance	1
35	7651873209	Compressor Crankcase Heater	1
36	39008072	Temperature Sensor Assembly**	1
37	4300040045	4-Way Valve Solenoid Coil	1
Not Shown	06654110	Adaptor Pipes 1/4-in to 3/8-in	1
Not Shown	06654111	Adaptor Pipes 1/2-in to 3/8-in	1
Not Shown	06654112	Adaptor Pipes 1/2-in to 5/8-in	1
Not Shown	06654113	Adaptor Pipes 3/8-in to 1/4-in	1
Not Shown	06654114	Adaptor Pipes 5/8-in to 3/8-in	1
Not Shown	06654120	Adaptor Pipes 3/8-in to 1/2-in	2
Not Shown	4202300111	Jumper	1
Not Shown	70410006	Isolation Washer D	1
Not Shown	01305043P	Left Side Plate	1
Not Shown	26905202	Sensor support	1
Not Shown	20113003	Electric Control Box Cover Insulation	1

\*\* Temperature Sensor Assembly contains Discharge, Coil, & Ambient sensors.

\*\*\* Temperature Sensor Assembly contains Port Discharge & Suction Tube sensors.

# MULTI42HP230V1AO

## 42,000 BTUH 230v Outdoor Unit



**MULTI42HP230V1AO**  
**42,000 BTUH 230v Outdoor Unit**  
**Product Code: CN860W0041\_K78371**

NO.	Part Code	Part Description	Qty
1	01574106	Front Grille	1
2	01435007P	Cabinet	1
3	01305508	Front Side Plate Sub-Assy	1
Not Shown	06813401	Drain Hole Plug	3
Not Shown	06123401	Drain Connector	1
Not Shown	7651873209	Compressor Crankcase Heater	1
4	39008066	Temperature Sensor Assembly**	1
5	01194141P	Chassis Sub-Assy	1
6	20113003	Insulated Board (Cover of Electric Box)	1
Not Shown	4602001573	High Pressure Protect Switch	
7	4602000902	High Pressure Protect Switch	1
8	01324238P	Compressor Mounting Plate Sub-Assy	1
Not Shown	00185012	Compressor Overload Protector(External)	1
9	00205275	Compressor	1
Not Shown	76710207	Compressor Grommets	3
10	05034302	Connection Pipe	1
11	0722501801	Gas-Liquid Separator Sub-Assy	1
12	07228741	Bidirectional Accumulator	1
13	05034296	U-Shape Pipe Connector	1
14	01314304P	Right Side Plate Sub-Assy	1
15	07415200002	Strainer	1
16	066400111	3/8-in Gas/Suction Valve	2
Not Shown	0664001110	1/2-in Gas/Suction Valve	2
Not Shown	066400118	5/8-in Gas/Suction Valve	1
17	066400119	1/4-in Liquid Line Valve	4
Not Shown	066400111	3/8-in Liquid Line Valve	1
18	07415200002	Strainer	1
19	43044100198	Valve Support Assy	1
20	07228302	Oil Separator	1
21	0214000521	Tube Clip	1
22	07415200002	Strainer	1
23	43000338	4-Way Valve	1
24	26235253	Handle	2
25	04044100014	4-Way Valve Assy	1
26	4602001555	Low Pressure Protect Switch	1
27	04634310	Discharge Tube Sub-Assy	1
28	04674230	Suction/Inhalation Tube Sub-Assy	1
29	04104239	Capillary Sub-Assy (oil returning)	1
30	01124100014	Condenser Coil Assy	1
31	01475012	Rear Grille	1
32	01424263	Electric Box Cover	1
33	0125500901P	Top Cover	1

**MULTI42HP230V1AO (Cont.)**  
**42,000 BTUH 230v Outdoor Unit**  
**Product Code: CN860W0041\_K78371**

NO.	Part Code	Part Description	Qty
34	02404111	Electric reactor Sub-Assy	1
35	01424260	Reactor Box Cover	1
36	43128003	Reactor	1
37	01424258	Reactor Box	1
38	33010037	Capacitor CBB61	1
39	26905211	Electric Box	1
40	30226254	Main Control Board	1
41	49018112	Heat Sink/Radiator	1
42	02404112	Electric Box Sub-Assy	1
44	01394100015	Electric Box Assy	1
45	01804100042	Motor Support Assy	1
46	01305064P	Left Side Plate	1
47	01895309	Condenser Support Plate	1
48	01244141	Clapboard	1
49	1570522803	Fan Motor	1
50	10335010	Axial Flow Fan	1
Not Shown	39008066	Port A Temperature Sensor Assembly***	1
Not Shown	39008066	Port B Temperature Sensor Assembly***	1
Not Shown	39008066	Port C Temperature Sensor Assembly***	1
Not Shown	39008066	Port D Temperature Sensor Assembly***	1
Not Shown	39008066	Port E Temperature Sensor Assembly***	1
Not Shown	4300040029	4-Way Valve Solenoid Coil	1
Not Shown	26235401	Left Handle	1
Not Shown	7334447	Electronic Expansion Valve (Port A, B, C, D& E)	5
Not Shown	4304413238	Port A Electronic Expansion Valve Solenoid Coil	1
Not Shown	4304413237	Port B Electronic Expansion Valve Solenoid Coil	1
Not Shown	4304413236	Port C Electronic Expansion Valve Solenoid Coil	1
Not Shown	4304413235	Port D Electronic Expansion Valve Solenoid Coil	1
Not Shown	4304413234	Port E Electronic Expansion Valve Solenoid Coil	1
Not Shown	4202300108	Jumper Cap	1
Not Shown	06654110	Adaptor Pipes 1/4-in to 3/8-in	2
Not Shown	06654111	Adaptor Pipes 1/2-in to 3/8-in	2
Not Shown	06654112	Adaptor Pipes 1/2-in to 5/8-in	2
Not Shown	06654113	Adaptor Pipes 3/8-in to 1/4-in	1
Not Shown	06654114	Adaptor Pipes 5/8-in to 3/8-in	1
Not Shown	06654120	Adaptor Pipes 3/8-in to 1/2-in	1
Not Shown	06654121	Adaptor Pipes 5/8-in to 1/2-in	1

\*\* Temperature Sensor Assembly contains Discharge, Coil, & Ambient sensors.

\*\*\* Temperature Sensor Assembly contains ALL Port Discharge & Suction Tube sensors.

