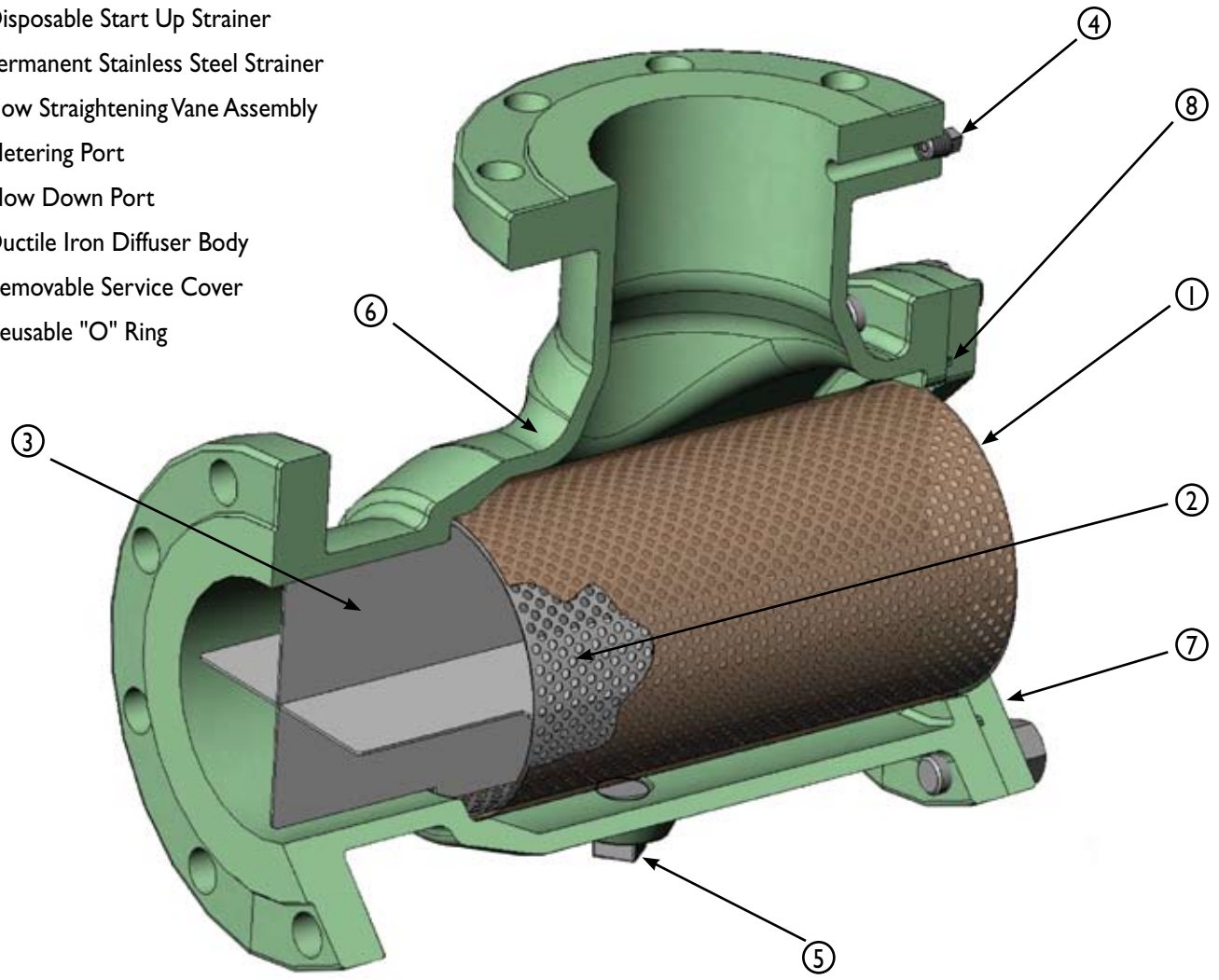


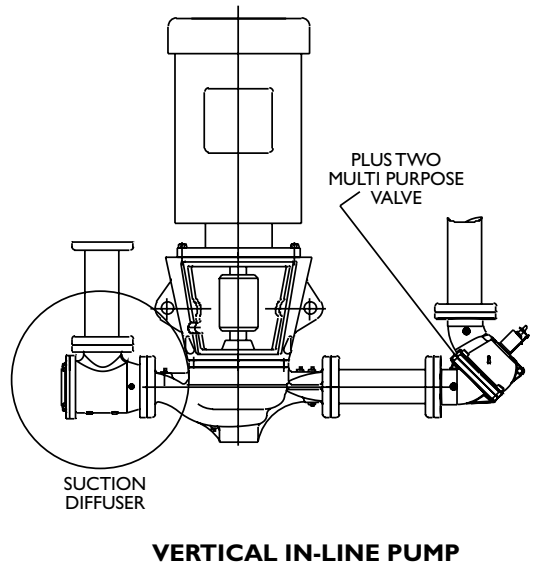
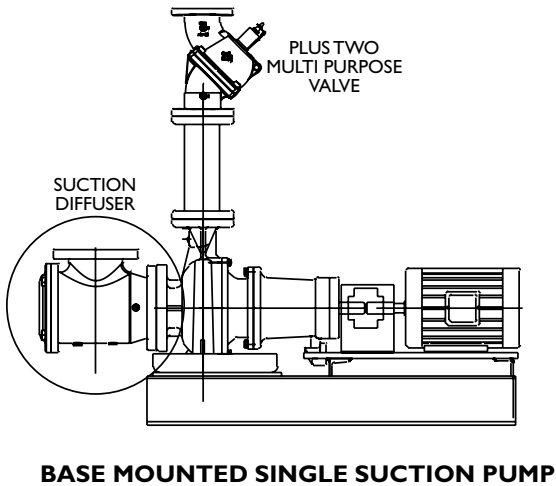
## Suction Diffuser Rear Strainer Pullout (RSP)



- ① Disposable Start Up Strainer
- ② Permanent Stainless Steel Strainer
- ③ Flow Straightening Vane Assembly
- ④ Metering Port
- ⑤ Blow Down Port
- ⑥ Ductile Iron Diffuser Body
- ⑦ Removable Service Cover
- ⑧ Reusable "O" Ring



**Typical Installation**



## Design

The Taco Suction Diffuser incorporates numerous features into one device that simplifies installations and reduces installation costs. It is a flow straightening device that provides maximum flow efficiency at the suction inlet of the pump while at the same time reducing space and fitting requirements and eliminating the need for an equivalent length of ten pipe diameters of straight run on the suction side of the pump. It is an elbow (and in some cases a reducing elbow) with a built in strainer that is easily maintained and will provide years of trouble free system performance.

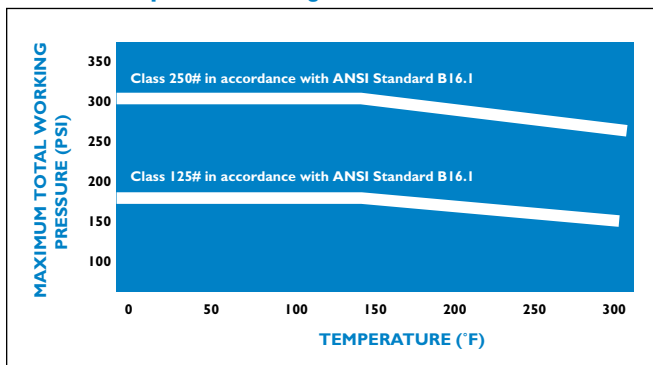
The Taco Suction Diffuser is available in a wide variety of sizes and in \*125 psi or 250 psi working pressures with either flanged or grooved by flanged connections.

\* See Pressure-Temperature Chart.

## Features & Benefits

- Full Length Straightening Vane Assembly ensures uniform flow to the suction inlet of the pump
- Oversized Body Cylinder ensures minimal pressure drop
- Metering Port allows for the monitoring of system conditions
- Disposable Fine Mesh Start-Up Strainer promotes cleaner more trouble free system
- Removable Cover Plate and reusable "O" Ring allows for easy access and maintenance of Permanent Strainer
- Blow Down port allows for routine maintenance and removal of sediment and debris
- Ductile Iron Body on all units
- Optional Magnetic Insert to trap small metallic particles
- Available in \*125 psi or 250 psi working pressures, with either Flanged by Flanged or Grooved by Flanged connections

## Pressure-Temperature Ratings



## Materials of Construction

- Body: Ductile Iron
- Cover: Ductile Iron
- Straightening Vanes: Stainless Steel (304)
- Permanent Strainer: Stainless Steel (304)
- Disposable Start Up Strainer: Bronze (16 Mesh)
- Cover "O" Ring: EPDM

## Pressure Loss Curve

