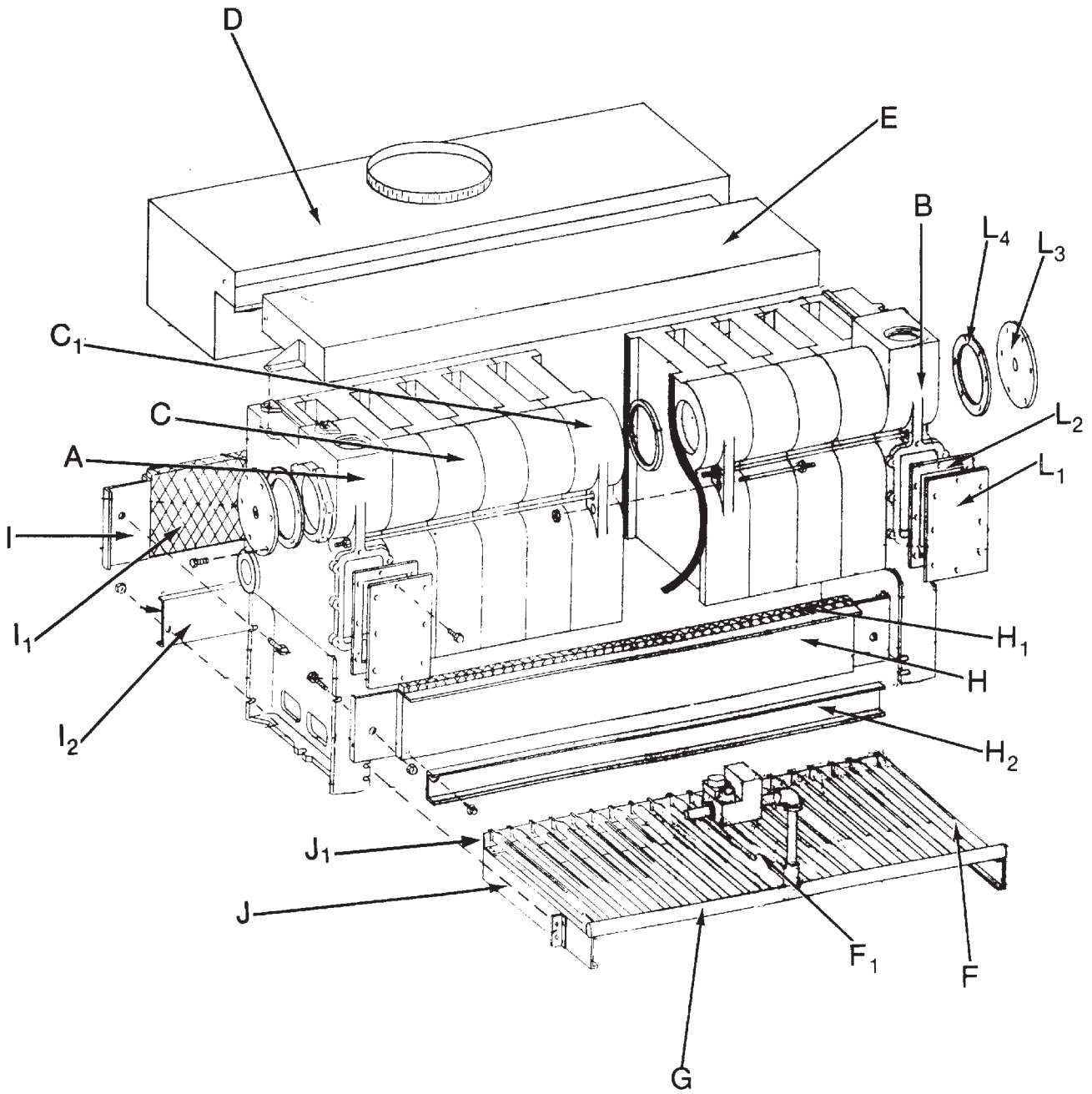


EGH Section and Base Assembly Series 4



GAS

EGH Section and Base Assembly Series 4

Fig. No.	Part No.	Description	Casting No.	Boiler Series No.	Notes
A	311-800-014	Left Hand End Section w/ Heater Opening	1814	1,2,3,4	
	311-800-007	Left Hand End Section w/o Heater Opening	1813	2,3,4	
B	311-800-022	Right Hand End Section w/ Heater Opening	1819	1,2,3,4	
	311-800-032	Right Hand End Section w/o Heater Opening with control tapings	18118	2,3,4	
C	311-800-010	Intermediate Section	1815	1,2,3,4	
	311-800-026	Intermediate Section w/ Tie Rod Lugs	181	2,3,4	
	321-711-100	Section Assembly, Complete: EGH-85 w/ Heater Opening	----	1,2,3,4	
	321-711-105	Section Assembly, Complete: EGH-85 w/o Heater Opening	----	1,2,3,4	
	321-711-110	Section Assembly, Complete: EGH-95 w/ Heater Opening	----	1,2,3,4	
	321-711-115	Section Assembly, Complete: EGH-95 w/o Heater Opening	----	1,2,3,4	
	321-711-120	Section Assembly, Complete: EGH-105 w/ Heater Opening	----	1,2,3,4	
	321-711-125	Section Assembly, Complete: EGH-105 w/o Heater Opening	----	1,2,3,4	
	321-711-130	Section Assembly, Complete: EGH-115 w/ Heater Opening	----	1,2,3,4	
	321-711-135	Section Assembly, Complete: EGH-115 w/o Heater Opening	----	1,2,3,4	
	321-711-140	Section Assembly, Complete: EGH-125 w/ Heater Opening	----	1,2,3,4	
	321-711-145	Section Assembly, Complete: EGH-125 w/o Heater Opening	----	1,2,3,4	
	381-800-667	Section Replacement Kit; Includes 1 ea. 3" and 6" Elastomer Seal, 4 ft. Cope Seal; Order 1 per Joint Between Sections	----	1,2,3,4	
	592-800-010	3" Diameter Bottom Elastomer Seal (1 per Joint)	----	1,2,3,4	
	592-800-007	6" Diameter Top Elastomer Seal (1 per Joint)	----	1,2,3,4	
	591-641-866	Sealer for Sections (Cope Seal -- 4' per Joint)	----	1,2,3,4	
	560-234-465	1/2" x 7" Tie Rod w/o Nut (2 per Boiler)	----	1,2,3,4	
	560-234-472	1/2" x 17" Tie Rod w/o Nut (4 for EGH-85; 2 for EGH-95)	----	1,2,3,4	
	560-234-477	1/2" x 21-1/4" Tie Rod w/o Nut (2 for EGH-95 and EGH-115; 4 for EGH-105)	----	1,2,3,4	
	560-234-482	1/2" x 25-1/4" Tie Rod w/o Nut (2 for EGH-115; 4 for EGH-125)	----	1,2,3,4	
	561-928-221	1/2" Nut (2 per Tie Rod)	----	1,2,3,4	
	562-248-668	1/2" Lock Washer (1 per Tie Rod)	----	1,2,3,4	
	591-602-913	Retort Cement (1 quart)	----	1,2,3,4	
	591-706-214	Flue Brush, 124 DMG	----	1,2,3,4	
D	450-206-240	Draft Hood: EGH-85	----	2,3,4	
	450-206-241	Draft Hood: EGH-95	----	2,3,4	
	450-206-242	Draft Hood: EGH-105	----	2,3,4	
	450-206-243	Draft Hood: EGH-115	----	2,3,4	
	450-206-244	Draft Hood: EGH-125	----	2,3,4	
E	450-014-750	Collector Hood: EGH-85	----	2,3,4	
	450-014-751	Collector Hood: EGH-95	----	2,3,4	
	450-014-752	Collector Hood: EGH-105	----	2,3,4	
	450-014-753	Collector Hood: EGH-115	----	2,3,4	
	450-014-754	Collector Hood: EGH-125	----	2,3,4	
H		Front Base Panel: (In Base Panel Carton)	----		
I		Back Base Panel: (In Base Panel Carton)	----		
I ₂		Back Base Channel: (In Base Panel Carton)	----		

EGH Section and Base Assembly Series 4

H ₂		Base Front Access Panel: (In Base Panel Carton)	----		
J	451-800-070	Side Rail for Burner Pan w/ Bracket for Burner Pan (two required)	----	1,2,3,4	
J ₁	451-800-095	Back Burner Support: EGH-85	----	1,2,3,4	
	451-800-096	Back Burner Support: EGH-95	----	1,2,3,4	
	451-800-097	Back Burner Support: EGH-105	----	1,2,3,4	
	451-800-098	Back Burner Support: EGH-115	----	1,2,3,4	
	451-800-099	Back Burner Support: EGH-125	----	1,2,3,4	
F	512-200-000	Burner, stainless Tube, Regular	----	1,2,3,4	
F ₁	512-200-001	Burner, stainless Tube, w/ Pilot Bracket	----	1,2,3,4	
G	591-125-543	Manifold, EGH-85	----	1,2,3,4	
	591-125-544	Manifold, EGH-95	----	1,2,3,4	
	591-125-545	Manifold, EGH-105	----	1,2,3,4	
	591-125-546	Manifold, EGH-115	----	1,2,3,4	
	591-125-547	Manifold, EGH-125	----	1,2,3,4	
H ₁		Front Base Insulation: (In Base Panel Carton)	----		
I ₁		Back Base Insulation: (In Base Panel Carton)	----		
	381-700-240	Base Panel Carton-EGH-85: (Includes items H, H ₁ , H ₂ , I, I ₁ and I ₂)	----	2,3,4	
	381-700-245	Base Panel Carton-EGH-95: (Includes items H, H ₁ , H ₂ , I, I ₁ and I ₂)	----	2,3,4	
	381-700-250	Base Panel Carton-EGH-105: (Includes items H, H ₁ , H ₂ , I, I ₁ and I ₂)	----	2,3,4	
	381-700-255	Base Panel Carton-EGH-115: (Includes items H, H ₁ , H ₂ , I, I ₁ and I ₂)	----	2,3,4	
	381-700-260	Base Panel Carton-EGH-125: (Includes items H, H ₁ , H ₂ , I, I ₁ and I ₂)	----	2,3,4	
4 ₁	389-900-103	Cover Plate for Heater pening (Rectangular)	----	1,2,3,4	
4 ₂	590-317-579	Gasket for Coer Plate (Rectangular)	----	1,2,3,4	
4 ₃	389-900-101	Cover Plate for Heater pening (Round)	----	1,2,3,4	
4 ₄	590-317-495	Gasket for Coer Plate (Round)	----	1,2,3,4	
	451-800-120	Burner Sields (Rollout): EGH-85	----	3,4	
	451-800-121	Burner Sields (Rollout): EGH-95	----	3,4	
	451-800-122	Burner Sields (Rollout): EGH-105	----	3,4	
	451-800-123	Burner Sields (Rollout): EGH-115	----	3,4	
	451-800-124	Burner Sields (Rollout): EGH-125	----	3,4	
	560-528-987	Main Burner Orifice, Natural Gas, 245 mm (see ote 2)	----	1,2,3,4	
	560-528-988	Main Burner Orifice, Propane Gas, 155 mm (see ote 2)	----	1,2,3,4	

NOTES:

- 1) Order sufficient quantities to replace all orifices within a base.
- 2) Number of burners EGH-85 - 13 main burners & 1 burner w/Pilot bracket, EGH-95 - 15 main burners & 1 burner w/Pilot bracket, EGH-105 - 17 main burners & 1 burner w/Pilot bracket, EGH-115 - 19 main burners & 1 burner w/Pilot bracket, EGH-125 - 21 main burners & 1 burner w/Pilot bracket.

EGH Intermittent Ignition Series 4

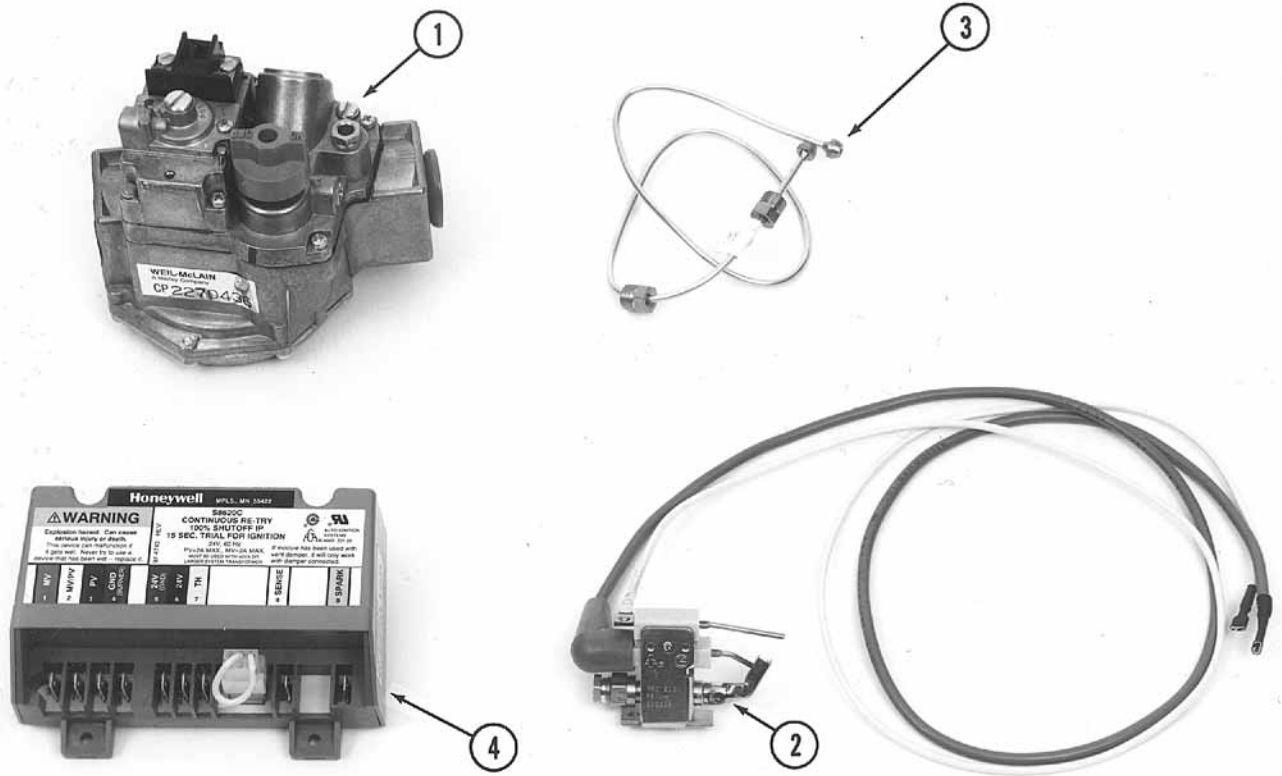


Fig. No.	Part No.	Description	Mfr.	Mfr.'s Part No.	EGH Series 4 Boiler Size					Notes
					85	95	105	115	125	
1	511-044-286	*Combination Gas Control Valve, 3/4" x 1" N.P.T., 24 Volt	Robertshaw	7000DERHC-S7C-5R1-501-723	X	X				
1	511-044-287	*Combination Gas Control Valve, 1" x 1" N.P.T., 24 Volt	Robertshaw	7000DERHC-S7C-5N6-501-723			X	X	X	
2	511-330-221	Pilot Burner Assembly w/ Pilot Burner, Orifice, Sensing Lead, and Ignition Cable	PSE	PSE-NA16	X	X	X	X	X	
3	560-742-865	Pilot Tubing, Aluminum 1/8" OD x 34" Long, w/ Compression Fittings	Weil-McLain		X	X	X	X	X	
4	511-330-097	Ignition Control Module w/o Molex, 24 Volt	United Technologies	1003-611A 1003-511	X	X	X	X	X	
	540-130-966	Wiring Harness in Envelope Assy for Water Boilers w/o Tanless Heater ONLB	Weil-McLain		X	X	X	X	X	
	540-130-969	Wiring Harness in Envelope Assy for Water Boilers w/ Tanless Heater ONLB	Weil-McLain		X	X	X	X	X	
	540-130-967	Wiring Harness in Envelope Assy for Steam Boilers with Float LWCO ONLB	Weil-McLain		X	X	X	X	X	
	540-130-968	Wiring Harness in Envelope Assy for Steam Boilers with Probe LWCO ONLB	Weil-McLain		X	X	X	X	X	
NS	510-811-390	Natural to Propane Conversion it EGH 85-95 PI only	Weil-McLain		X	X				
NS	510-811-391	Natural to Propane Conversion it EGH 105-125 PI only	Weil-McLain				X	X	X	

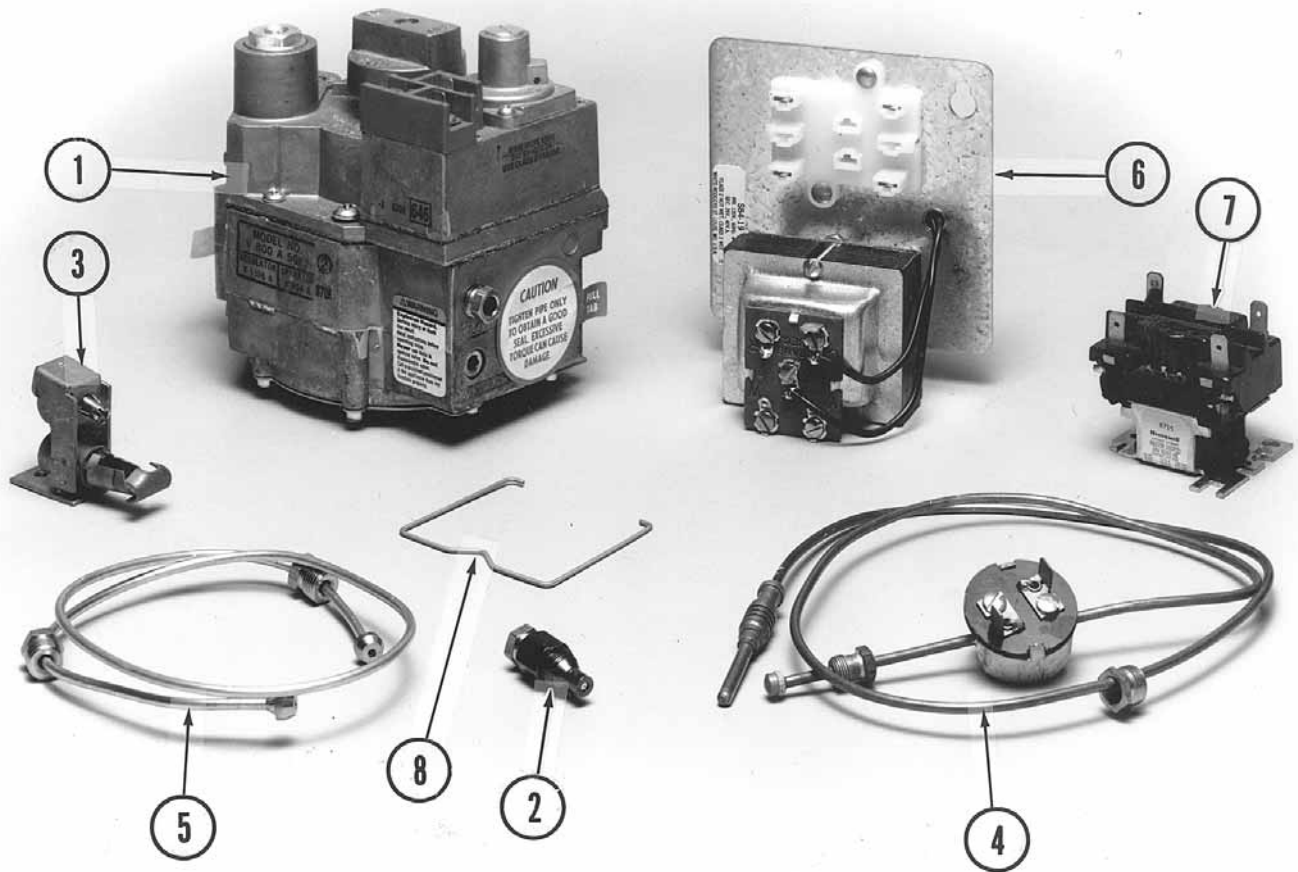
* Combination Gas Valve includes: Manual Gas Cock, Redundant Gas Valves, Main Pressure Regulator, Pilot Take-off w/ Filter, Pilot Adjustment

EGH Intermittent Ignition
Series 4
LP Gas

Part No.	Description	Mfr.	Mfr.'s Part No.	EGH Series 4 Boiler Size					Notes
				85	95	105	115	125	
511-246-320	3/4" Hand valve with 1/8" tapping	Conbraco		X	X				
511-246-325	1" Hand valve with 1/8" tapping	Conbraco				X	X	X	
511-044-278	LP Gas valve, 3/4"x 1", spark pilot	Robert Shaw	M700DERHC-S7C	X	X				
511-044-279	LP Gas valve, 1" x 1", spark pilot	Robert Shaw	M700DERHC-S7C			X	X	X	
511-330-222	LP spark pilot burner, includes sparker, sensor, wires, pilot tubing, and pilot burner	PSE	LP16	X	X	X	X	X	
560-742-865	1/8" x 34" pilot tubing for spark pilot burner			X	X	X	X	X	
511-330-186	LP standing pilot burner, includes orifice and pilot burner	Honeywell	Q327A-1642	X	X	X	X	X	
560-742-874	1/4" by 32" pilot tubing for standing pilot burner			X	X	X	X	X	
511-724-254	Thermocouple, screw in, 30"			X	X	X	X	X	
511-246-340	1/8" x 1/4" manual pilot shut off valve			X	X	X	X	X	
511-330-229	Pilot Switch box for standing pilot	Johnson Controls	L626B-3C	X	X	X	X	X	

GAS

EGH 85 & 95 Standing Pilot Series 4



Obsolete see Thermocouple
to Thermopile Conversion Kit

GAS

APPLICABLE FOR EGH-85 AND EGH-95 BOILERS ONLY							
Fig. No.	Part No.	Description	Mfr.	Mfr.'s Part No.	EGH Series 4 Boiler Size		Notes
					85	95	
COMPONENTS FOR NATURAL GAS ONLY							
1N	511-044-505	*Combination Gas Control Valve, 3/4" x 1" N.P.T., 24 Volt	Robertshaw	7000MSERHC-S7C-5D7-501-723	X	X	
2N	560-528-950	Natural Gas Pilot Orifice, .026 Dia. (For Q-327 Pilot, below)	Honeywell	388146-AG	X	X	
COMPONENTS FOR PROPANE GAS ONLY							
1P	511-044-506	*Combination Gas Control Valve, 3/4" x 1" N.P.T., 24 Volt	Robertshaw	7000MSERHC-S7C-5A7-502-789	X	X	
2P	560-528-957	Propane Gas Pilot Orifice, .010 Dia. (For Q-327 Pilot, below)	Honeywell	388146-KR	X	X	

EGH 85 & 95 Standing Pilot Series 4

COMPONENTS FOR NATURAL GAS AND PROPANE GAS							
3	511-330-186	Pilot Burner, Constant Burning, Thermally Supervised	Honeywell	Q327A1642	X	X	
NS	511-724-259	Thermopile 36" Obsolete with no parts available	Robertshaw	CP2	X	X	
5	560-742-865	Pilot Tubing, Aluminum 1/8" OD x 34" Long, w/ Compression Fittings	Weil-McLain		X	X	
NS	590-850-561	Lead wire 5" with terminals	Weil-McLain		X	X	
NS	510-811-461	Thermocouple to Thermopile Conversion kit, natural gas. Includes natural gas valve, lead wire, thermopile, and instructions.	Weil-McLain		X	X	
NS	510-811-462	Thermocouple to Thermopile Conversion kit, propane gas. Includes LP gas valve, lead wire, thermopile, and instructions.	Weil-McLain		X	X	
NS	510-811-397	Natural to Propane Conversion kit, standing pilot only	Weil-McLain		X	X	
6*	510-312-166	Combination Transformer-Relay Receptacle, 120/24V, 40VA	Honeywell	R8285K1004	X	X	
6*	510-312-166	Combination Transformer-Relay Receptacle, 120/24V, 40VA	White-Rodgers	S84A-85	X	X	
7*	510-350-223	Plug-In Relay, DPST, 24 Volt Coil	Honeywell	R8222U1006	X	X	
7*	510-350-223	Plug-In Relay, DPST, 24 Volt Coil	White-Rodgers	91-112006-11000	X	X	
	540-130-963	Wiring Harness (in Envelope Assy) for Water Boilers w/o Tankless Heater ONLY	Weil-McLain		X	X	
	540-130-964	Wiring Harness (in Envelope Assy) for Steam Boilers with Float LWCO ONLY	Weil-McLain		X	X	
	540-130-965	Wiring Harness (in Envelope Assy) for Steam Boilers with Probe LWCO ONLY	Weil-McLain		X	X	

* Combination Gas Valve includes: Manual Gas Cock, Pilot Operator, Redundant Gas Valves, Main Press. Regulator, Pilot Take-off w/ Filter, Pilot Adjustment

* Not used on EGH Water Boilers with Tankless Heaters

EGH Common Components Series 4

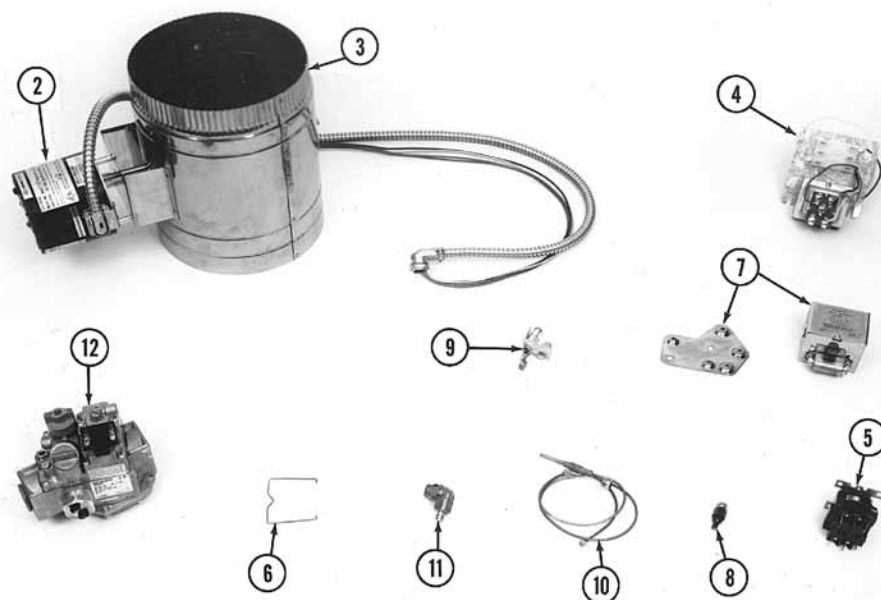
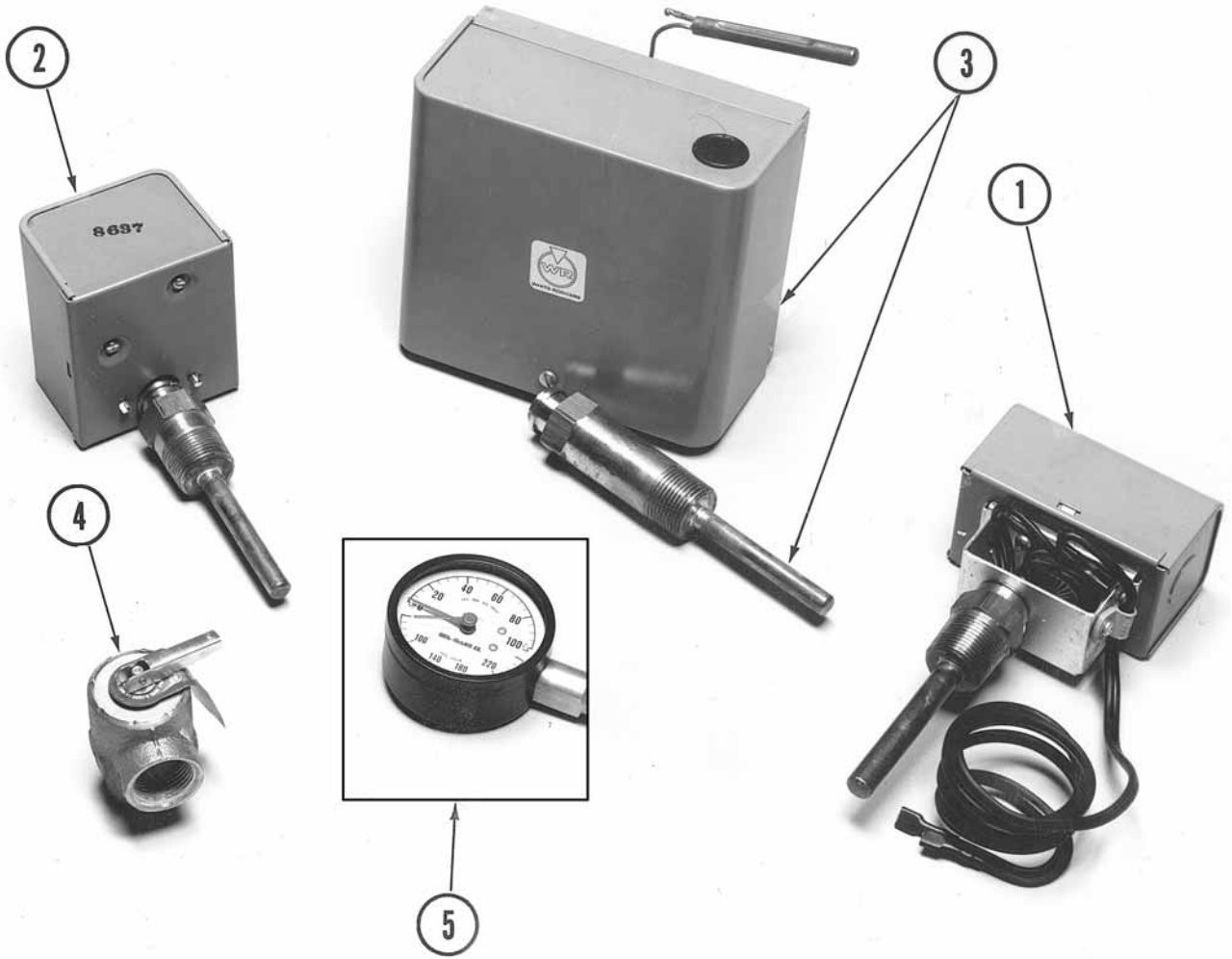


Fig. No.	Part No.	Description	Mfr.	Mfr.'s Part No.	EGH Series 4 Boiler Size					Notes
					85	95	105	115	125	
APPLICABLE FOR WATER OR STEAM BOILERS WITH OR WITHOUT TANKLESS HEATERS										
1	591-391-795	Damper Wiring Harness with Molex (from Controls Wiring Harness to Damper)	Weil-McLain		X	X	X	X	X	
2	510-512-337	Vent Damper Motor w/ Molex (for use on Effikal Dampers ONLY)	Effikal	RVGP	X	X	X	X	X	
3	381-800-445	Vent Damper Assembly, 9"	Effikal	RVGP-KS-9BF	X					
3	381-800-445	Vent Damper Assembly, 9"	Johnson	G35GM	X					
3	381-800-446	Vent Damper Assembly, 10"	Effikal	RVGP-KS-10BF		X	X			
3	381-800-446	Vent Damper Assembly, 10"	Johnson	G35GP		X	X			
3	381-800-447	Vent Damper Assembly, 12"	Effikal	RVGP-KS-12BF				X	X	
3	381-800-447	Vent Damper Assembly, 12"	Johnson	G35GR				X	X	
4*	510-312-166	Combination Transformer-Relay Receptacle, 120/24V, 40VA	Honeywell	R8285K1004	X	X	X	X	X	
4*	510-312-166	Combination Transformer-Relay Receptacle, 120/24V, 40VA	White-Rodgers	S84A-85	X	X	X	X	X	
5*	510-350-223	Plug-In Relay, DPST, 24 Volt Coil	Honeywell	R8222U1006				X		
5*	510-350-223	Plug-In Relay, DPST, 24 Volt Coil	White-Rodgers	91-112006-11000	X	X	X	X	X	
PROPANE COMPONENTS FOR EGH-PI BOILERS										
7	511-330-229	Pilot Switch Box	Johnson	L62GB-3C	X	X	X	X	X	
8	560-528-957	Propane Gas Pilot Orifice, .010 Dia. (For Q-327 Pilot, below)	Honeywell	388146-KR	X	X	X	X	X	
9	511-330-186	Pilot Burner, Constant Burning, Thermally Supervised	Honeywell	Q327A1642	X	X	X	X	X	
10	511-724-254	Thermocouple Lead, 30"	Honeywell	Q309A1988	X	X	X	X	X	
11	511-246-320	Manual Shut-Off Pilot Gas Valve, 3/4"	Conbraco	50-GB5-01	X	X	X	X	X	
12	511-044-278	*Combination Gas Control Valve, 3/4" x 1" N.P.T., 24 Volt	Robertshaw	7200DERHC-S7C-5R1-502-789	X	X				
12	511-044-279	*Combination Gas Control Valve, 1" x 1" N.P.T., 24 Volt	Robertshaw	7200DERHC-S7C-5N6-502-789			X	X	X	

* Combination Gas Valve includes: Manual Gas Cock, Redundant Gas Valves, Main Pressure Regulator, Pilot Take-off w/ Filter, Pilot Adjustment

* Not used on EGH Water Boilers with Tankless Heaters

EGH Water Trim Series 4



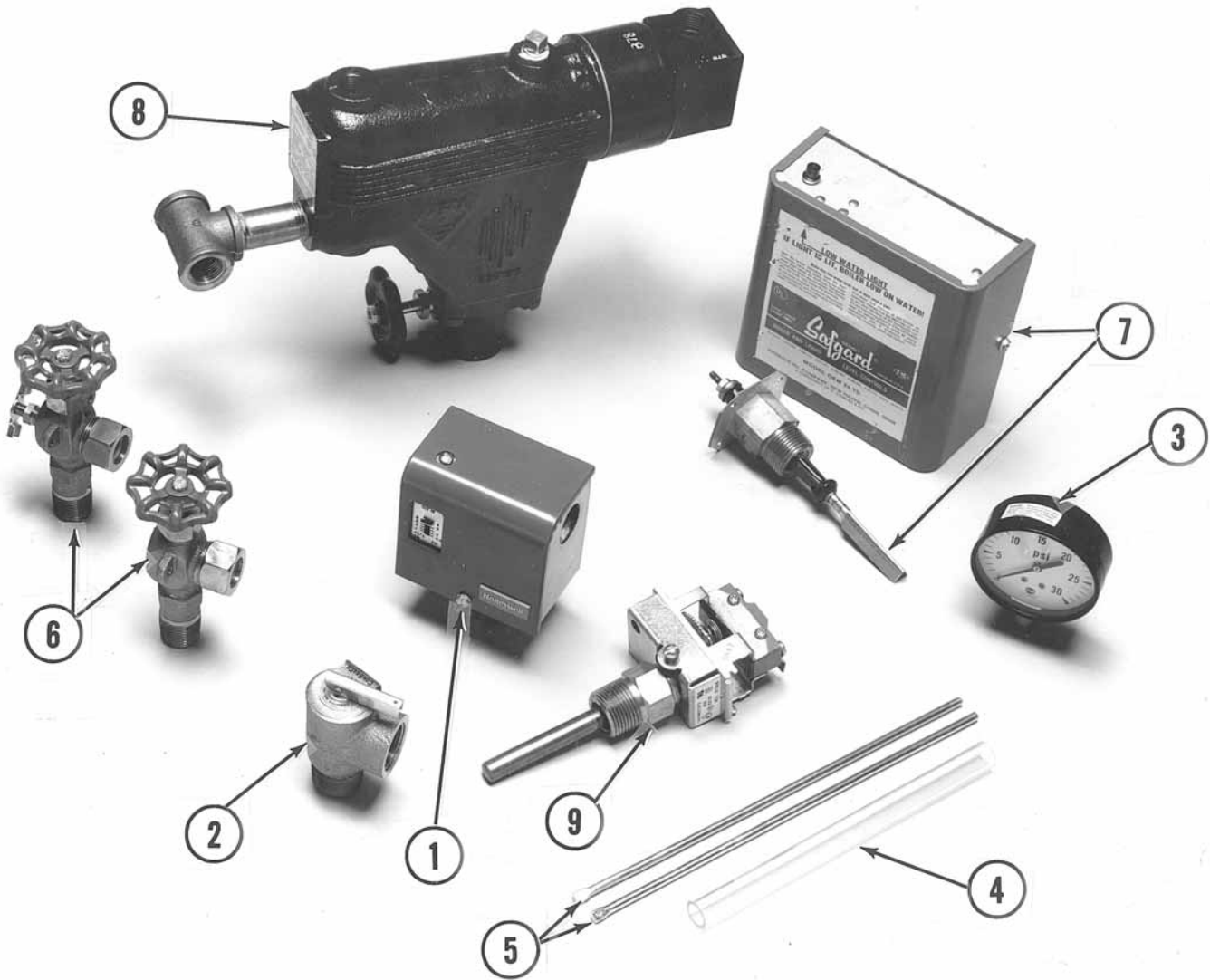
GAS

EGH Water Trim Series 4

Fig. No.	Part No.	Description	Mfr.	Mfr.'s Part No.	EGH Series 4 Boiler Size					Notes
					85	95	105	115	125	
TEMPERATURE CONTROLS FOR ALL EGH STANDING PILOT BOILERS										
1	510-312-150	Combination Operating Limit (140-240° F Range) and Fixed High Limit (240° F) Temperature Control, Auto Recycle, DPST, w/ 3/4" Well. Fixed High Limit Furnished with Wire Leads for Connection to Thermocouple Spade Terminal Block 15° Differential on both limits	Carlin	90224	X	X				
1	510-312-150	Combination Operating Limit (140-240° F Range) and Fixed High Limit (240° F) Temperature Control, Auto Recycle, DPST, w/ 3/4" Well. Fixed High Limit Furnished with Wire Leads for Connection to Thermocouple Spade Terminal Block 15° Differential on both limits	Carlin	90224	X	X				
TEMPERATURE CONTROLS FOR PI AND PID BOILERS WITHOUT TANKLESS HEATERS										
2	510-312-209	High Limit Temperature Control, SPST, Auto Recycle, 140-240° F Range, 10° F Fixed Subtractive Differential, w/ 3/4" Well.	White-Rodgers	11B83-16	X	X	X	X	X	
2	510-312-209	High Limit Temperature Control, SPST, Auto Recycle, 140-240° F Range, 10° F Fixed Subtractive Differential, w/ 3/4" Well.	Honeywell	L4080B1311	X	X	X	X	X	
TEMPERATURE CONTROLS FOR PI AND PID BOILERS WITH TANKLESS HEATERS										
3	510-312-249	Combination High Limit-Low Limit w/ Circulator Control with Transformer. HIGH LIMIT: SPST, Auto Recycle, 140-240° F Range, 10° F Subtractive Differential. LOW LIMIT/CIRC CONTROL: SPDT, Auto Recycle, 110-215° F Range, 10-25° F Adjustable Additive Differential.	Honeywell	L8124E1065	X	X	X	X	X	
3	592-300-005	Immersion Well, 3/4" N.P.T. w/ 3-1/8" Shank	Honeywell	123871A				X		
WATER TRIM COMPONENTS COMMON TO ALL EGH BOILERS										
4	511-546-924	ASME Pressure Relief Valve, Set to Relieve at 30 PSIG, 3/4" N.P.T., Female Inlet	Watts	335	X	X	X	X	X	
4	511-546-924	ASME Pressure Relief Valve, Set to Relieve at 30 PSIG, 3/4" N.P.T., Female Inlet	Conbraco	10-408-05	X	X	X	X	X	
5	510-218-097	Combination Gauge, 2 1/2" Dial, 0-75 PSIG, 70-320° back mount	U.S. Gauge	19998	X	X	X	X	X	
5	510-218-097	Combination Gauge, 2 1/2" Dial, 0-75 PSIG, 70-320° back mount	ENFM	4104-2-1/2-1/4 CBM-30	X	X	X	X	X	
NS	590-921-917	Tankless Heater - water boiler, includes heater, gasket, nuts and studs. For all sizes EGH boiler	Heat Transfer Products	E-632						

GAS

EGH Steam Trim Series 4



GAS

EGH Steam Trim Series 4

Fig. No.	Part No.	Description	Mfr.	Mfr.'s Part No.	EGH Series 4 Boiler Size					Notes
					85	95	105	115	125	
TRIM FOR ALL EGH STEAM BOILERS										
1*	510-312-135	*High Pressure Limit Control, SPST, Auto Recycle, 0-9 PSIG Range, 0-5 PSIG Additive Differential, 1/4" N.P.T. Bottom Connection	Honeywell	PA-404-A	X	X	X	X	X	
2	511-548-020	Steam Relief Valve, 15 PSIG, 3/4" N.P.T., Male Inlet, Side Outlet	Conbraco	13-211-08	X	X	X	X	X	
2	511-548-020	Steam Relief Valve, 15 PSIG, 3/4" N.P.T., Male Inlet, Side Outlet	Watts	415	X	X	X	X	X	
3	510-218-045	Pressure Gauge, 0-30 PSIG, 2 1/2" Dial, 1/4" N.P.T. Bottom Mount	Ametek	P505K	X	X	X	X	X	
4	383-600-000	Water Gauge Glass Kit, 5/8" x 7 3/8" with gaskets and brass washers.	Weil-McLain		X	X	X	X	X	
5	563-334-580	Water Gauge Glass Guard, 3/8" x 9-3/8" (2 per unit)	Weil-McLain		X	X	X	X	X	
PROBE TYPE LOW WATER CUT-OFF COMPONENTS FOR EGH STEAM BOILERS										
6	510-218-145	Water Gauge Glass Cocks, Set, 1/2" N.P.T., Male Inlet, Long Stem	Conbraco	21-205-03-W	X	X	X	X	X	
7*	511-114-515	Low Water Cut-Off, SPDT, 3/4" Male Electrode Type, 24 Volt	Hydrolevel	400	X	X	X	X	X	
FLOAT TYPE LOW WATER CUT-OFF COMPONENTS FOR EGH STEAM BOILERS										
6	510-218-135	Water Gauge Glass Cocks, Set, 1/2" N.P.T., Female Inlet, Std Stem	Conbraco	20-205-03-W	X	X	X	X	X	
8	511-114-494	Low Water Cut-Off, SPDT, 1/2" N.P.T., Float Type, 24 Volt	McDonnell-Miller	67W-1	X	X	X	X	X	
TANKLESS HEATER OPERATING TEMPERATURE CONTROL FOR EGH STEAM BOILERS										
9	510-312-250	Operating Temperature Control, SPST, Auto Recycle, 140-240 ° F Range, 10° F Subtractive Differential, w/ 3/4" N.P.T. Well	Honeywell	L4080D1036	X	X	X	X	X	
9	510-312-250	Operating Temperature Control, SPST, Auto Recycle, 140-240 ° F Range, 10° F Subtractive Differential, w/ 3/4" N.P.T. Well	White-Rodgers	11B81-3	X	X	X	X	X	
NS	590-921-903	Tankless Heater - water and steam boiler, includes heater, tankless aquastat (Honeywell L4080B-1311), gasket, nuts and studs.	Heat Transfer Products	35-S-29						

* Alternate Components

* Two High Limits used with EGH-85 and EGH-95 Standing Pilot Steam Boilers

GAS